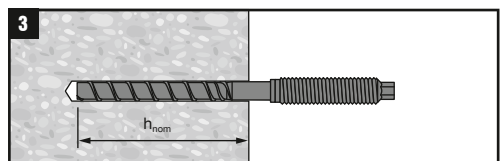
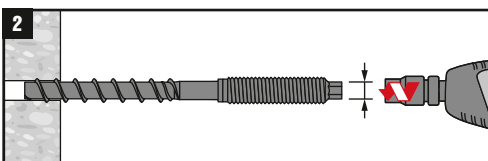
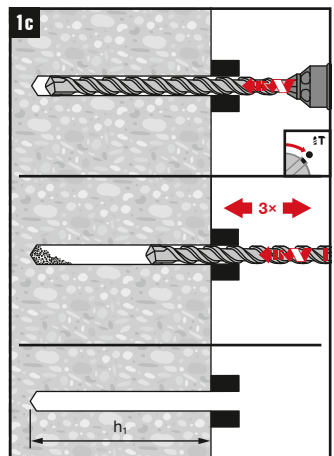
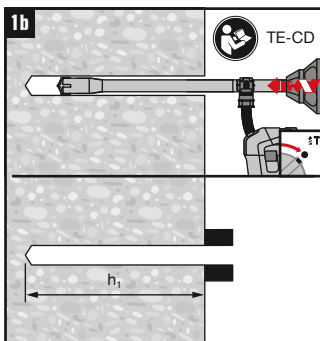
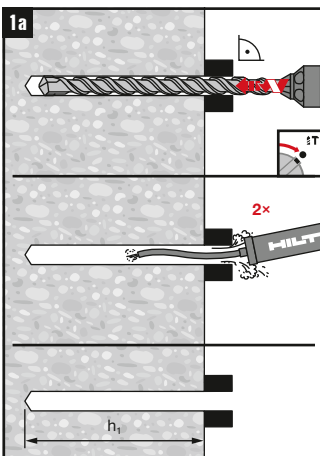
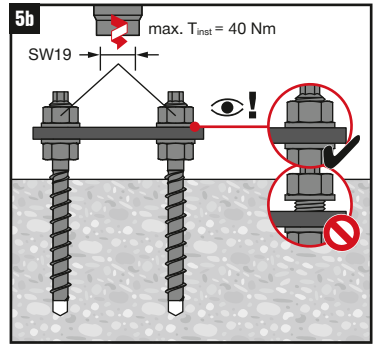
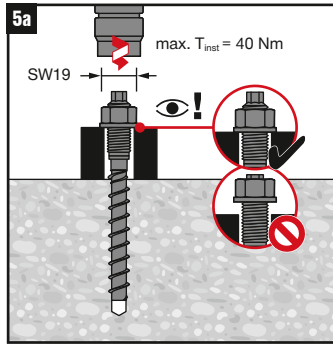
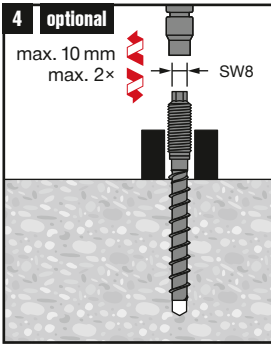


	d_o [mm]	h_{nom} [mm]	
	$\varnothing 10$	$\geq 55 mm$ $\leq 85 mm$	$h_{nom} \geq 75 mm$
	$\varnothing 10$	$\geq 55 mm$ $\leq 85 mm$	

	$h_1 = h_{nom} + 10 mm$	1a 1b
	$h_1 = h_{nom} + 30 mm$	1c





	1	2	1	2
SIW 6AT-A22 / SIW 4AT-22	✓			✗
SIW 6-22	✓	✗		✓
SIW 22T-A		✓		✓
SIW 9-A22		✓		✓
SIW 8-22		✓		✓
SIW 10-22	✗		✓	✗

