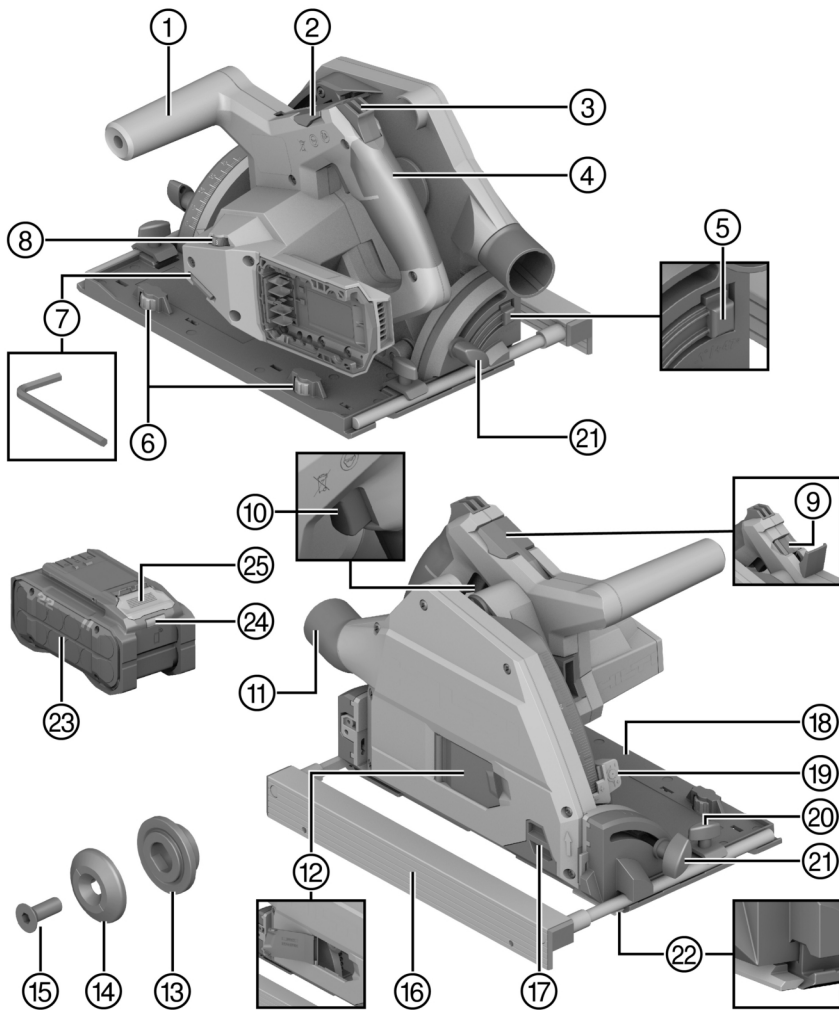




SC 6WP-22

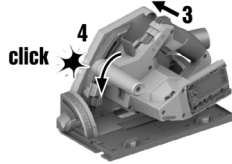
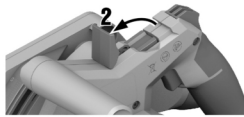
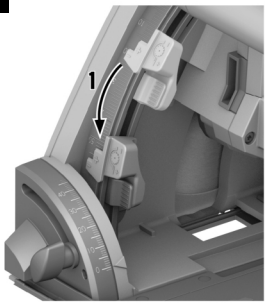
English	1
Français	17
Dansk	35
Svenska	52
Norsk	68
Suomi	85
Eesti	102
Latviešu	118
Lietuvių	135
Русский	152
Українська	172
Қазақ	191
Türkçe	211
عربي	229
日本語	247
한국어	263
繁體中文	280
中文	294



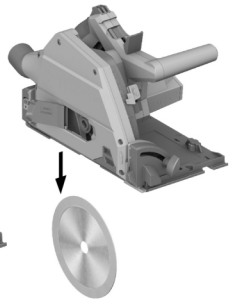
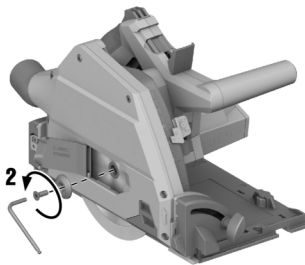
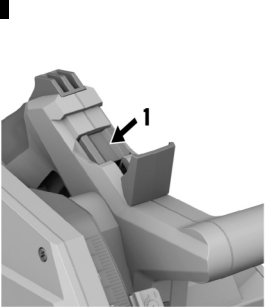
2



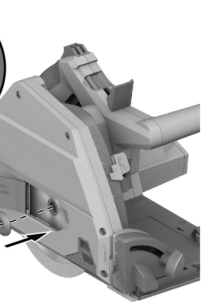
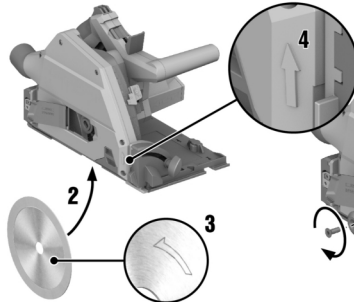
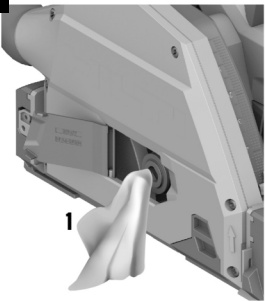
3



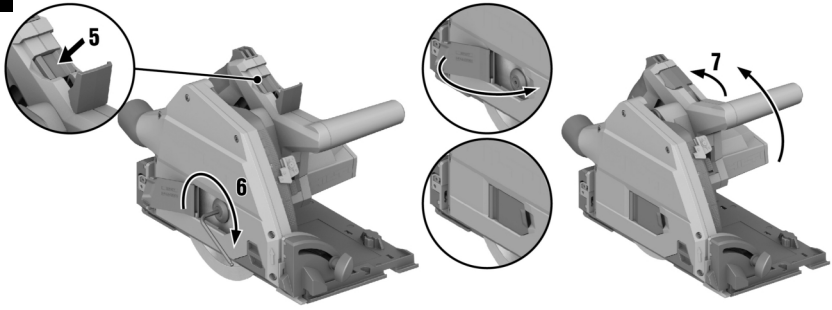
4



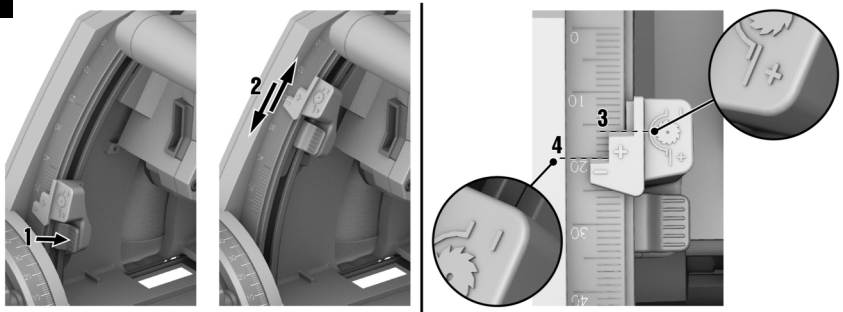
5



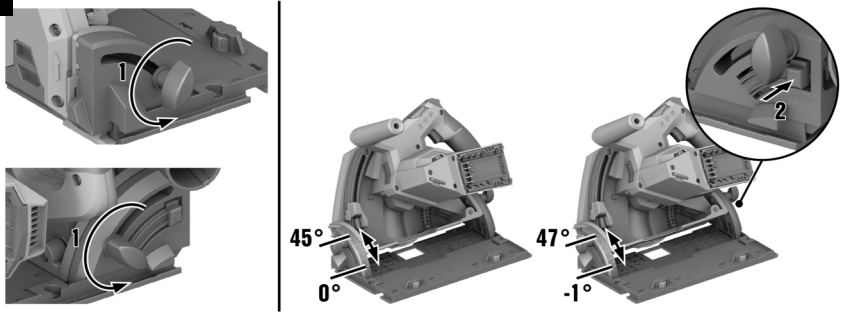
6



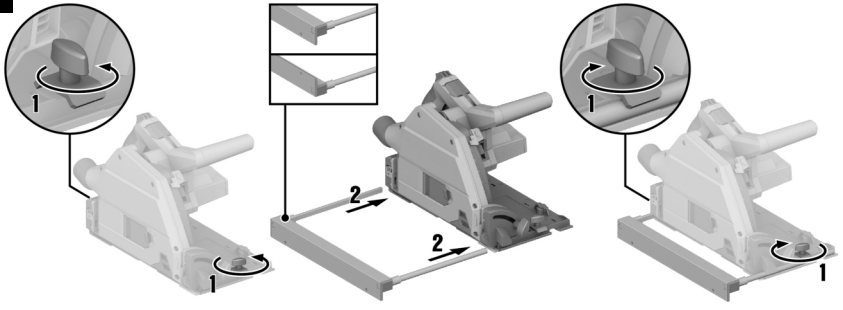
7



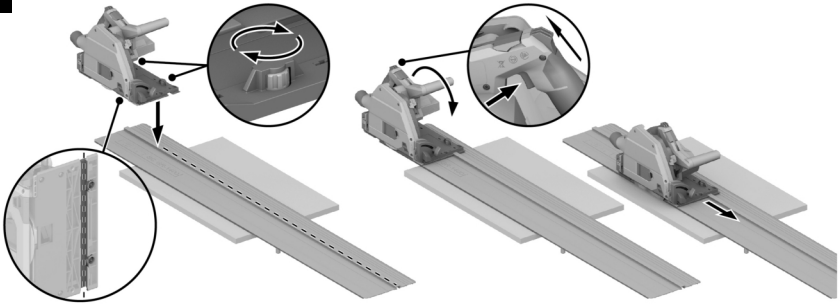
8



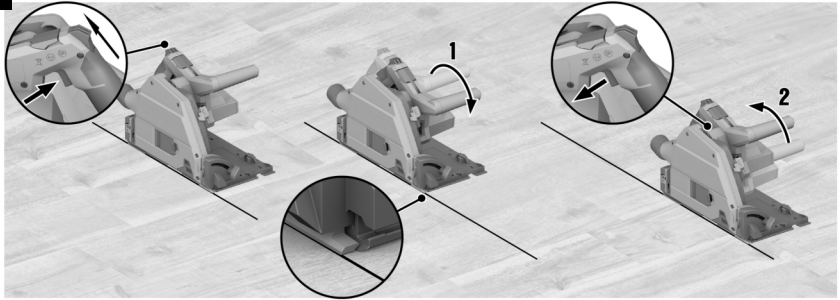
9



10



11



SC 6WP-22

en	Original operating instructions	1
fr	Notice d'utilisation originale	17
da	Original brugsanvisning	35
sv	Originalbruksanvisning	52
no	Original bruksanvisning	68
fi	Alkuperäiset ohjeet	85
et	Originaalkasutusjuhend	102
lv	Originālā lietošanas instrukcija	118
lt	Originali naudojimo instrukcija	135
ru	Перевод оригинального руководства по эксплуатации	152
uk	Оригінальна інструкція з експлуатації	172
kk	Түпнұсқа пайдалану бойынша нұсқаулық	191
tr	Orijinal kullanım kılavuzu	211
ar	دليل الاستعمال الأصلي	229
ja	オリジナル取扱説明書	247
ko	오리지널 사용 설명서	263
zh	原始操作說明	280
cn	原版操作说明	294

Original operating instructions

1 Information about the operating instructions

1.1 About these operating instructions

- **Warning!** Read and understand all accompanying documentation, including but not limited to instructions, safety warnings, illustrations, and specifications provided with this product. Familiarize yourself with all the instructions, safety warnings, illustrations, specifications, components, and functions of the product before use. Failure to do so may result in electric shock, fire, and/or serious injury. Save all warnings and instructions for future reference.
- products are designed for professional users and only trained, authorized personnel are permitted to operate, service and maintain the products. This personnel must be specifically informed about the possible hazards. The product and its ancillary equipment can present hazards if used incorrectly by untrained personnel or if used not in accordance with the intended use.
- The accompanying documentation corresponds to the current state of the art at the time of printing. Please always check for the latest version on the product's page on Hilti's website. To do this, follow the link or scan the QR code in this documentation, marked with the symbol .
- Ensure that these operating instructions are with the product when it is given to other persons.

1.2 Explanation of symbols

1.2.1 Warnings

Warnings alert persons to hazards that occur when handling or using the product. The following signal words are used:

DANGER

DANGER !

- ▶ Draws attention to imminent danger that will lead to serious personal injury or fatality.

WARNING

WARNING !

- ▶ Draws attention to a potential threat of danger that can lead to serious injury or fatality.

CAUTION

CAUTION !

- ▶ Draws attention to a potentially dangerous situation that could lead to personal injury or damage to the equipment or other property.

1.2.2 Symbols in the operating instructions

The following symbols are used in these operating instructions:

	Comply with the operating instructions
	Instructions for use and other useful information
	Dealing with recyclable materials
	Do not dispose of electric equipment and batteries as household waste
	Hilti Li-ion battery
	Hilti charger

1.2.3 Symbols in illustrations

The following symbols are used in illustrations:

- 2** These numbers refer to the illustrations at the beginning of these operating instructions.



3	The numbering reflects the sequence of operations shown in the illustrations and may deviate from the steps described in the text.
	Item reference numbers are used in the overview illustration and refer to the numbers used in the key in the product overview section.
	These characters are intended to specifically draw your attention to certain points when handling the product.

1.3 Product-dependent symbols

1.3.1 General symbols

Symbols used in relation to the product.

n_0	Rated speed under no load
	Direct current (DC)
	Direction-of-rotation arrow
RPM	Revolutions per minute
\varnothing	Diameter
	Saw blade
	The product supports wireless data transmission compatible with iOS and Android platforms.
	If applied on the product, the product has been certified by this certification body for the US and Canadian markets according to the applicable standards.
Li-Ion	Li-ion battery
	Never use the battery as a striking tool.
	Do not drop the battery. Never use a battery that has suffered an impact or is damaged in any other way.

1.3.2 Obligation symbols

The following obligation symbols are used on the product:

	Wear eye protection
--	---------------------

2 Safety

2.1 General power tool safety warnings

⚠ WARNING Read all safety warnings, instructions, illustrations and specifications provided with this power tool. Failure to follow all instructions listed below may result in electric shock, fire and/or serious injury. **Save all warnings and instructions for future reference.**

The term "power tool" in the warnings refers to your mains-operated (corded) power tool or battery-operated (cordless) power tool.

Work area safety

- ▶ **Keep work area clean and well lit.** Cluttered or dark areas invite accidents.
- ▶ **Do not operate power tools in explosive atmospheres, such as in the presence of flammable liquids, gases or dust.** Power tools create sparks which may ignite the dust or fumes.
- ▶ **Keep children and bystanders away while operating a power tool.** Distractions can cause you to lose control.



Electrical safety

- ▶ **Power tool plugs must match the outlet. Never modify the plug in any way. Do not use any adapter plugs with earthed (grounded) power tools.** Unmodified plugs and matching outlets will reduce risk of electric shock.
- ▶ **Avoid body contact with earthed or grounded surfaces, such as pipes, radiators, ranges and refrigerators.** There is an increased risk of electric shock if your body is earthed or grounded.
- ▶ **Do not expose power tools to rain or wet conditions.** Water entering a power tool will increase the risk of electric shock.
- ▶ **Do not abuse the cord. Never use the cord for carrying, pulling or unplugging the power tool. Keep cord away from heat, oil, sharp edges or moving parts.** Damaged or entangled cords increase the risk of electric shock.
- ▶ **When operating a power tool outdoors, use an extension cord suitable for outdoor use.** Use of a cord suitable for outdoor use reduces the risk of electric shock.
- ▶ **If operating a power tool in a damp location is unavoidable, use a residual current device (RCD) protected supply.** Use of an RCD reduces the risk of electric shock.

Personal safety

- ▶ **Stay alert, watch what you are doing and use common sense when operating a power tool. Do not use a power tool while you are tired or under the influence of drugs, alcohol or medication.** A moment of inattention while operating power tools may result in serious personal injury.
- ▶ **Use personal protective equipment. Always wear eye protection.** Protective equipment such as a dust mask, non-skid safety shoes, hard hat or hearing protection used for appropriate conditions will reduce personal injuries.
- ▶ **Prevent unintentional starting. Ensure the switch is in the off-position before connecting to power source and/or battery pack, picking up or carrying the tool.** Carrying power tools with your finger on the switch or energising power tools that have the switch on invites accidents.
- ▶ **Remove any adjusting key or wrench before turning the power tool on.** A wrench or a key left attached to a rotating part of the power tool may result in personal injury.
- ▶ **Do not overreach. Keep proper footing and balance at all times.** This enables better control of the power tool in unexpected situations.
- ▶ **Dress properly. Do not wear loose clothing or jewellery. Keep your hair and clothing away from moving parts.** Loose clothes, jewellery or long hair can be caught in moving parts.
- ▶ **If devices are provided for the connection of dust extraction and collection facilities, ensure these are connected and properly used.** Use of dust collection can reduce dust-related hazards.
- ▶ **Do not let familiarity gained from frequent use of tools allow you to become complacent and ignore tool safety principles.** A careless action can cause severe injury within a fraction of a second.

Power tool use and care

- ▶ **Do not force the power tool. Use the correct power tool for your application.** The correct power tool will do the job better and safer at the rate for which it was designed.
- ▶ **Do not use the power tool if the switch does not turn it on and off.** Any power tool that cannot be controlled with the switch is dangerous and must be repaired.
- ▶ **Disconnect the plug from the power source and/or remove the battery pack, if detachable, from the power tool before making any adjustments, changing accessories, or storing power tools.** Such preventive safety measures reduce the risk of starting the power tool accidentally.
- ▶ **Store idle power tools out of the reach of children and do not allow persons unfamiliar with the power tool or these instructions to operate the power tool.** Power tools are dangerous in the hands of untrained users.
- ▶ **Maintain power tools and accessories. Check for misalignment or binding of moving parts, breakage of parts and any other condition that may affect the power tool's operation. If damaged, have the power tool repaired before use.** Many accidents are caused by poorly maintained power tools.
- ▶ **Keep cutting tools sharp and clean.** Properly maintained cutting tools with sharp cutting edges are less likely to bind and are easier to control.
- ▶ **Use the power tool, accessories and tool bits etc. in accordance with these instructions, taking into account the working conditions and the work to be performed.** Use of the power tool for operations different from those intended could result in a hazardous situation.
- ▶ **Keep handles and grasping surfaces dry, clean and free from oil and grease.** Slippery handles and grasping surfaces do not allow for safe handling and control of the tool in unexpected situations.



Battery tool use and care

- ▶ **Recharge only with the charger specified by the manufacturer.** A charger that is suitable for one type of battery pack may create a risk of fire when used with another battery pack.
- ▶ **Use power tools only with specifically designated battery packs.** Use of any other battery packs may create a risk of injury and fire.
- ▶ **When battery pack is not in use, keep it away from other metal objects, like paper clips, coins, keys, nails, screws or other small metal objects, that can make a connection from one terminal to another.** Shorting the battery terminals together may cause burns or a fire.
- ▶ **Under abusive conditions, liquid may be ejected from the battery; avoid contact. If contact accidentally occurs, flush with water. If liquid contacts eyes, additionally seek medical help.** Liquid ejected from the battery may cause irritation or burns.
- ▶ **Do not use a battery pack or tool that is damaged or modified.** Damaged or modified batteries may exhibit unpredictable behaviour resulting in fire, explosion or risk of injury.
- ▶ **Do not expose a battery pack or tool to fire or excessive temperature.** Exposure to fire or temperature above 130° C (265 °F) may cause explosion.
- ▶ **Follow all charging instructions and do not charge the battery pack or tool outside the temperature range specified in the instructions.** Charging improperly or at temperatures outside the specified range may damage the battery and increase the risk of fire.

Service

- ▶ **Have your power tool serviced by a qualified repair person using only identical replacement parts.** This will ensure that the safety of the power tool is maintained.
- ▶ **Never service damaged battery packs.** Service of battery packs should only be performed by the manufacturer or authorized service providers.

2.2 Safety instructions for all saws**Cutting procedures**

- ▶ **⚠ DANGER: Keep hands away from cutting area and the blade. Keep your second hand on auxiliary handle, or motor housing.** If both hands are holding the saw, they cannot be cut by the blade.
- ▶ **Do not reach underneath the workpiece.** The guard cannot protect you from the blade below the workpiece.
- ▶ **Adjust the cutting depth to the thickness of the workpiece.** Less than a full tooth of the blade teeth should be visible below the workpiece.
- ▶ **Never hold the workpiece in your hands or across your leg while cutting. Secure the workpiece to a stable platform.** It is important to support the work properly to minimise body exposure, blade binding, or loss of control.
- ▶ **Hold the power tool by insulated gripping surfaces, when performing an operation where the cutting tool may contact hidden wiring.** Contact with a "live" wire will also make exposed metal parts of the power tool "live" and could give the operator an electric shock.
- ▶ **When ripping, always use a rip fence or straight edge guide.** This improves the accuracy of cut and reduces the chance of blade binding.
- ▶ **Always use blades with correct size and shape (diamond versus round) of arbour holes.** Blades that do not match the mounting hardware of the saw will run off-centre, causing loss of control.
- ▶ **Never use damaged or incorrect blade washers or bolt.** The blade washers and bolt were specially designed for your saw, for optimum performance and safety of operation.

Kickback causes and related warnings

- kickback is a sudden reaction to a pinched, jammed or misaligned saw blade, causing an uncontrolled saw to lift up and out of the workpiece toward the operator;
- when the blade is pinched or jammed tightly by the kerf closing down, the blade stalls and the motor reaction drives the unit rapidly back toward the operator;
- if the blade becomes twisted or misaligned in the cut, the teeth at the back edge of the blade can dig into the top surface of the wood causing the blade to climb out of the kerf and jump back toward the operator.

Kickback is the result of saw misuse and/or incorrect operating procedures or conditions and can be avoided by taking proper precautions as given below.

- ▶ **Maintain a firm grip with both hands on the saw and position your arms to resist kickback forces. Position your body to either side of the blade, but not in line with the blade.** Kickback could cause the saw to jump backwards, but kickback forces can be controlled by the operator, if proper precautions are taken.



- ▶ **When blade is binding, or when interrupting a cut for any reason, release the trigger and hold the saw motionless in the material until the blade comes to a complete stop. Never attempt to remove the saw from the work or pull the saw backward while the blade is in motion or kickback may occur.** Investigate and take corrective actions to eliminate the cause of blade binding.
- ▶ **When restarting a saw in the workpiece, centre the saw blade in the kerf so that the saw teeth are not engaged into the material.** If a saw blade binds, it may walk up or kickback from the workpiece as the saw is restarted.
- ▶ **Support large panels to minimise the risk of blade pinching and kickback.** Large panels tend to sag under their own weight. Supports must be placed under the panel on both sides, near the line of cut and near the edge of the panel.
- ▶ **Do not use dull or damaged blades.** Unsharpened or improperly set blades produce narrow kerf causing excessive friction, blade binding and kickback.
- ▶ **Blade depth and bevel adjusting locking levers must be tight and secure before making the cut.** If blade adjustment shifts while cutting, it may cause binding and kickback.
- ▶ **Use extra caution when sawing into existing walls or other blind areas.** The protruding blade may cut objects that can cause kickback.

Guard function

- ▶ **Check the guard for proper closing before each use. Do not operate the saw if the guard does not move freely and enclose the blade instantly. Never clamp or tie the guard so that the blade is exposed.** If the saw is accidentally dropped, the guard may be bent. Check to make sure that the guard moves freely and does not touch the blade or any other part, in all angles and depths of cut.
- ▶ **Check the operation and condition of the guard return spring. If the guard and the spring are not operating properly, they must be serviced before use.** The guard may operate sluggishly due to damaged parts, gummy deposits, or a build-up of debris.
- ▶ **Assure that the base plate of the saw will not shift while performing a “plunge cut”.** Blade shifting sideways will cause binding and likely kick back.
- ▶ **Always observe that the guard is covering the blade before placing the saw down on bench or floor.** An unprotected, coasting blade will cause the saw to walk backwards, cutting whatever is in its path. Be aware of the time it takes for the blade to stop after the switch is released.

2.3 Additional safety instructions

Personal safety

- ▶ Never tamper with or modify the power tool or accessories in any way.
- ▶ Operate the power tool only together with the safety devices that belong to it.
- ▶ If you use the power tool without a dust extractor, always wear light respiratory protection when undertaking work that creates dust.
- ▶ Always hold the power tool firmly with both hands on the grips provided.
- ▶ Wear ear protectors. Exposure to noise can cause hearing loss.
- ▶ Improve the blood circulation in your fingers by relaxing your hands and exercising your fingers during breaks between working.
- ▶ The power tool is not intended for use by debilitated persons who have received no special training.
- ▶ Do not switch the power tool on until it is at the workplace and has been brought to its working position.
- ▶ Remove the battery if a problem occurs with the power tool, whenever you change accessory tools or accessories and before storing or transporting the power tool.
- ▶ Do not work overhead with the power tool.
- ▶ Do not attempt to brake the power tool by applying lateral pressure to the saw blade.
- ▶ Before inserting the battery, check that the saw is switched off and that the switch-on interlock is engaged. In this way you avoid injuries due to unintentional starting of the power tool.
- ▶ While the power tool is running, do not touch the clamping flange or the clamping screw.
- ▶ Before you lay down the power tool, wait until the saw blade has come to a complete stop.
- ▶ Before changing the accessory tool, wait until the power tool has cooled down.
- ▶ Never actuate the drive spindle lock while the saw blade is rotating.
- ▶ Never direct the power tool toward persons.
- ▶ The switch-on interlock must always be engaged whenever you change accessories or the battery, for transport and when you are going to stow the power tool away.
- ▶ Always use a saw blade suitable for the material and the condition of the workpiece.
- ▶ Never install abrasive wheels of any kind whatsoever on this power tool.
- ▶ Bring the power tool into contact with the workpiece only when the power tool is switched on.



- ▶ Adapt forward pressure to the saw blade and the material being cut. In this way you prevent the saw blade from stalling and possibly causing kickback.
- ▶ Avoid overheating the tips of the saw blade teeth.
- ▶ The rated speed of the accessory tool must be at least equal to the maximum speed marked on the power tool. Accessories running faster than their rated speed can disintegrate and fly apart.
- ▶ Do not work in an environment heavily contaminated with dust.
- ▶ Dust produced by grinding, sanding, cutting and drilling can contain dangerous chemicals. Some examples are: lead or lead-based paints; brick, concrete and other masonry products, natural stone and other products containing silicates; certain types of wood, such as oak, beech and chemically treated wood; asbestos or materials that contain asbestos. Determine the exposure of the operator and bystanders by means of the hazard classification of the materials to be worked. Implement the necessary measures to restrict exposure to a safe level, for example by the use of a dust collection system or by the wearing of suitable respiratory protection. The general measures for reducing exposure include:
 - ▶ working in an area that is well ventilated,
 - ▶ avoidance of prolonged contact with dust,
 - ▶ directing dust away from the face and body,
 - ▶ wearing protective clothing and washing exposed areas of the skin with water and soap.
- ▶ You and all others in the work area must always wear dust masks appropriate to the requirements of the application.
- ▶ You and all others in the work area must wear suitable eye protection, hard hat, ear protection, protective gloves and safety footwear while the power tool is in use.
- ▶ Before starting work, check the hazard class of the dust that will be produced when working. Use an industrial vacuum cleaner with an officially approved protection classification in compliance with locally applicable dust protection regulations.
- ▶ Comply with national health and safety requirements.
- ▶ Use clamps or some other practical means to secure the workpiece and keep it in a stable position. Attempting to stabilize the workpiece by hand or with your body is inadequate and can result in loss of control. Do not have the workpiece held in position by a helper.
- ▶ Never cut into unknown materials and keep the line of cut above and below the workpiece free of obstacles. The power tool can kick back if the saw blade comes into contact with an obstructing object.
- ▶ Risk of injury by falling tools and/or accessories. Before starting work, check that installed accessories are secure.
- ▶ When sawing in combination with a dust extractor, avoid touching the dust hood or the suction hose. When a material that produces dust in large quantities is worked, there can be an elevated risk of electrostatic shock.
- ▶ Make sure that the path of the saw is free of obstructions such as nails, screws and other metal objects.
- ▶ Use only saw blades recommended by **Hilti** that comply with the EN 847-1 standard.
- ▶ When cutting plastic, make sure that the workpiece does not become too hot and melt.

Electrical safety

- ▶ Before beginning work, check the working area (e.g. using a detector) to ensure that no concealed electric cables or gas and water pipes are present. External metal parts of the power tool can become live, for example if you accidentally damage electric wiring. This causes an increased risk of electric shock.

2.4 Careful handling and use of batteries

- ▶ **Comply with the following safety instructions for the safe handling and use of Li-ion batteries.** Failure to comply can lead to skin irritation, severe corrosive injury, chemical burns, fire and/or explosion.
- ▶ Use only batteries that are in perfect working order.
- ▶ Treat batteries with care in order to avoid damage and prevent leakage of fluids that are extremely harmful to health!
- ▶ Do not under any circumstances modify or tamper with batteries!
- ▶ Do not disassemble, crush or incinerate batteries and do not subject them to temperatures over 80 °C (176 °F).
- ▶ Never use or charge a battery that has suffered an impact or been damaged in any other way. Check your batteries regularly for signs of damage.
- ▶ Never use recycled or repaired batteries.
- ▶ Never use the battery or a battery-operated power tool as a striking tool.



- ▶ Never expose batteries to the direct rays of the sun, elevated temperature, sparking, or open flame. This can lead to explosions.
- ▶ Do not touch the battery poles with your fingers, tools, jewelry, or other electrically conductive objects. This can damage the battery and also cause material damage and personal injury.
- ▶ Keep batteries away from rain, moisture and liquids. Penetrating moisture can cause short circuits, electric shock, burns, fire and explosions.
- ▶ Use only chargers and power tools approved for the specific battery type. Read and follow the relevant operating instructions.
- ▶ Do not use or store the battery in explosive environments.
- ▶ If the battery is too hot to touch, it may be defective. Put the battery in a place where it is clearly visible and where there is no risk of fire, at an adequate distance from flammable materials. Allow the battery to cool down. If it is still too hot to touch after an hour, the battery is faulty. Consult **Hilti** Service or read the document entitled "Instructions on safety and use for **Hilti** Li-ion batteries".



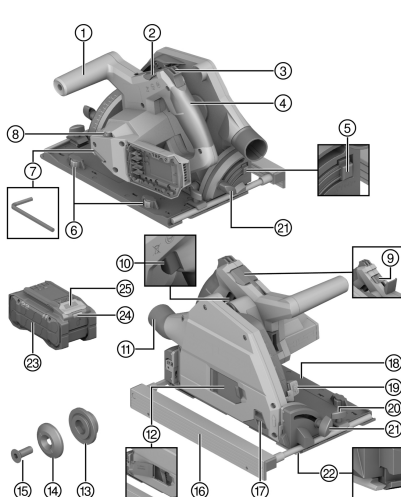
Observe the special guidelines applicable to the transport, storage and use of lithium-ion batteries.



Read the instructions on safety and use of **Hilti** Li-ion batteries that you can access by scanning the QR code at the end of these operating instructions.

3 Description

3.1 Product overview



- ① Auxiliary handle
- ② Latching lever for changing saw blade
- ③ Switch-on interlock
- ④ Main grip
- ⑤ Release button for cutting angle -1° and 47°
- ⑥ Adjusting knob for equalizing play (play between guide rail and guide groove in the base plate)
- ⑦ Hex key
- ⑧ Adjusting knob for saw blade speed
- ⑨ Spindle lock button
- ⑩ On/off switch
- ⑪ Chip ejector / hose connector
- ⑫ Installation flap for changing saw blade
- ⑬ Mounting flange
- ⑭ Clamping flange
- ⑮ Clamping screw
- ⑯ Parallel guide
- ⑰ Movable dust shield window
- ⑱ Base plate
- ⑲ Cutting depth adjustment
- ⑳ Clamping screw for parallel guide
- ㉑ Clamping screw for cutting angle adjustment
- ㉒ Adaptive cutting line indicator
- ㉓ Battery
- ㉔ Battery status indicator
- ㉕ Release button, battery

3.2 Intended use

The product described is a cordless plunge-cut circular saw. It is designed for cutting and for making plunge-cuts exclusively in the following materials:

- Wood and wood-like materials
- Plastics



2373233

English

7

- Gypsum board
- Fiber-cement boards
- Non-ferrous metals

The product is intended for carpentry work and for work in interior finishing.

The circular saw is equipped with a hose connector for an optional dust extractor; this connector fits standard-diameter vacuum cleaner hoses. A suitable adapter might be required for connecting the dust-extractor hose to the saw.

Use only saw blades approved for the product that comply with the specifications set out in the technical data (e.g. diameter, speed of rotation, thickness, material, etc...). Grinding and cut-off wheels and saw blades made of highly alloyed high speed steel (HSS) are not permissible.

Saw only flat workpieces that offer a big enough contact surface to accommodate the whole of the base plate.

- For this product, use only **Hilti** lithium-ion batteries of the B 22 series. For this product, **Hilti** recommends the use of the batteries stated in the table at the end of these operating instructions.
- For these batteries, use only **Hilti** chargers of the type series listed at the end of these operating instructions.

3.3 Items supplied

Cordless circular saw, saw blade, operating instructions

Other system products approved for use with this product can be found at your local **Hilti Store** or at: www.hilti.group

3.4 Status indicators of the Li-ion battery

Hilti Nuron Li-ion batteries can indicate state of charge, fault messages and the battery's state of health.

3.4.1 Indicators for state of charge and fault messages

WARNING

Risk of injury by a falling battery!

- ▶ If the release button is pressed with a battery inserted in the product, subsequently check that the battery is correctly re-engaged and secure.

Short-press the release button of the battery to get whichever of the following status indications is applicable at the time.

State of charge and, if applicable, faults are indicated constantly as long as the connected product is switched on.

Status	Meaning
Four (4) LEDs show constantly green	State of charge: 100 % to 71 %
Three (3) LEDs show constantly green	State of charge: 70 % to 51 %
Two (2) LEDs show constantly green	State of charge: 50 % to 26 %
One (1) LED shows constantly green	State of charge: 25 % to 10 %
One (1) LED slow-flashes green	State of charge: < 10 %
One (1) LED quick-flashes green	The Li-ion battery is completely discharged. Recharge the battery. If the LED again starts quick-flashing after the battery has been charged, consult Hilti Service .
One (1) LED quick-flashes yellow	The Li-ion battery or the product in which it is inserted is overloaded, too hot or too cold, or experiencing some other fault. Bring the product and the battery to the recommended working temperature and do not overload the product when it is in use. If the message persists, consult Hilti Service .
One (1) LED shows yellow	The Li-ion battery and the product in which it is inserted are not compatible. Consult Hilti Service .



Status	Meaning
One (1) LED quick-flashes red	The Li-ion battery is locked and cannot be used. Consult Hilti Service .

3.4.2 Indicators showing the battery's state of health

To check the battery's state of health, press the release button and hold it down for longer than three seconds. The system does not detect a potential malfunction of the battery due to misuse, for example battery dropped or pierced, external heat damage, etc.

Status	Meaning
All LEDs show in sequence, followed by one (1) LED showing constantly green.	The battery can remain in use.
All LEDs show in sequence, followed by one (1) LED quick-flashing yellow.	The check to ascertain the battery's state of health did not complete. Repeat the procedure, or consult Hilti Service .
All LEDs show in sequence, followed by one (1) LED showing constantly red.	If a connected product can still be used, the remaining battery capacity is below 50 %. If a connected product can no longer be used, the battery has reached the end of its useful life and has to be replaced. Consult Hilti Service .

4 Technical data

4.1 Product properties

	SC 6WP-22
Product generation	01
Weight	3.3 kg (in accordance with EPTA-Procedure 01 without battery)
Weight (parallel guide)	0.45 kg
Dimensions (L×W×H)	360 mm × 200 mm × 237 mm
Saw blade disc thickness	1 mm ... 1.5 mm
Maximum cutting depth	57 mm
Rated speed under no load	6,000 /min
Rated voltage	21.6 V

4.2 Saw-blade types and applications

Saw-blade type	Note on application
Universal saw blade	Wood and wood-based materials
Fine-cut saw blade	
Fiber-cement saw blade	Fiber cement or fiber-cement-based materials

4.3 Storage and operating temperatures

Storage temperature	-20 °C ... 70 °C
Ambient temperature for operation	-17 °C ... 60 °C



4.4 Battery

Battery operating voltage	21.6 V
Weight, battery	See the end of these operating instructions
Ambient temperature for operation	-17 °C ... 60 °C
Storage temperature	-20 °C ... 40 °C
Battery charging starting temperature	-10 °C ... 45 °C

4.5 Noise information and vibration values

The sound pressure and vibration values given in these instructions were measured in accordance with a standardized test and can be used to compare one power tool with another. They can also be used for a preliminary assessment of exposure.

The data given represent the main applications of the power tool. However, if the power tool is used for different applications, with different accessory tools, or is poorly maintained, the data can vary. This can significantly increase exposure over the total working period.

An accurate estimation of exposure should also take into account the times when the power tool is switched off, or when it is running but not actually being used for a job. This can significantly reduce exposure over the total working period.

Identify additional safety measures to protect the operator from the effects of noise and/or vibration, for example: maintaining the power tool and accessory tools, keeping the hands warm, organization of work patterns.

Detailed information on the versions of the **EN 62841** standards applied here is to be found in the reproduction of the declaration of conformity 312.

Noise information

Sound power level (L_{WA})	106 dB(A)
Uncertainty for the sound power level (K_{WA})	3 dB(A)
Sound pressure level (L_{pA})	98 dB(A)
Uncertainty for the sound pressure level (K_{pA})	3 dB(A)

Total vibration

Cutting chipboard ($a_{h,w}$)	B 22-55	0.9 m/s ²
Cutting aluminum sheet ($a_{h,M}$)	B 22-55	1.7 m/s ²
Uncertainty (K)		1.5 m/s ²

5 Preparations at the workplace

WARNING

Risk of injury by inadvertent starting!

- ▶ Before inserting the battery, make sure that the product is switched off.
- ▶ Remove the battery before making any adjustments to the power tool or before changing accessories.

Observe the safety instructions and warnings in this documentation and on the product.

5.1 Charging the battery

1. Before charging the battery, read the operating instructions for the charger.
2. Make sure that the contacts on the battery and the contacts on the charger are clean and dry.
3. Use an approved charger to charge the battery. 7



5.2 Inserting the battery

WARNING

Risk of injury by short circuit or falling battery!

- ▶ Before inserting the battery, make sure that the contacts on the battery and the contacts on the product are free of foreign matter.
- ▶ Make sure that the battery always engages correctly.

1. Charge the battery fully before using it for the first time.
2. Push the battery into the product until it engages with an audible click.
3. Check that the battery is seated securely.

5.3 Removing the battery

1. Press the battery release button.
2. Remove the battery from the product.

5.4 Fall arrest

WARNING

Risk of injury by falling tool and/or accessory!

- ▶ Use only the **Hilti** tool tether recommended for your product.
- ▶ Prior to each use, always check the attachment point of the tool tether for possible damage.



Comply with the national regulations for working at heights.

As drop arrester for this product, use only the **Hilti** tool tether #2261971.

- ▶ Use the loop to secure the tool tether to the product as shown in the illustration. Check that it holds securely.
- ▶ Secure the carabiner to a load-bearing structure. Check that the carabiner holds securely.



Comply with the operating instructions of the **Hilti** tool tether.

5.5 Bringing plunge unit to installation position



The plunge unit has an installation position at which the clamping screw is accessible through the installation window. The latching lever enables you to set the installation position.

When you flip the latching lever back (basic position), the plunge unit snaps back. Hold the product by the main grip to control the return of the plunge unit to the initial position.

1. Position the product in such a way that you can plunge with the maximum cutting depth (e.g. at a table edge).
2. Open the installation flap for saw blade installation.
3. Set the cutting depth setting indicator to the maximum value **(1)**.
4. Flip the latching lever up (installation position) **(2)**.
5. Press and hold down the switch-on interlock **(3)** and plunge the plunge unit to the installation position.
 - ▶ The plunge unit engages in the installation position with an audible click.
 - ▶ The clamping screw is visible, centered in the installation window.


5.6 Removing the saw blade

WARNING

Risk of burns and cut injuries at saw blade, clamping screw and clamping flange The consequences can be burns and cut injuries.

- ▶ Wear protective gloves when changing saw blades.



1. Bring the plunge unit to the installation position.  11
2. Press and hold down the spindle lock button **(1)**.
3. Use the hex key to slacken the clamping screw **(2)**.



Use the direction-of-rotation arrow for guidance: To slacken the clamping screw, turn it in the direction of rotation of the saw blade.

4. Remove the clamping screw and the clamping flange.
5. Ease the saw blade down and out of the guard.




If necessary, the mounting flange can be removed for cleaning.

5.7 Installing the saw blade

Check that the blade to be fitted complies with the technical requirements and that it is well sharpened.

A sharp saw blade is an essential requirement for a perfect cut.

Before every use, always select the saw blade that is suitable for the material you are going to cut.

1. Bring the plunge unit to the installation position.  11
2. Clean the mounting flange and the clamping flange **(1)**.
3. Slip the mounting flange right way round on to the arbor.
4. Insert the new saw blade **(2)**.
 - ▶ Note the direction-of-rotation arrows on the saw blade **(3)** and on the guard **(4)**. Both direction-of-rotation arrows must point in the same direction.
5. Install the clamping flange the right way round.
6. Install the clamping screw.
7. Press and hold down the spindle lock button **(5)**.
8. Use the hex key to tighten the clamping screw **(6)**.



Use the direction-of-rotation arrow for guidance: To tighten the clamping screw, turn it opposite to the direction of rotation of the saw blade.

9. Check that the saw blade is seated correctly.
10. Hold the product by the main grip.
11. Set the latching lever to the basic position and swivel the plunge unit back to the basic position **(7)**.
12. Close the installation flap for saw blade installation.

5.8 Movable dust shield window

For optimum dust and chip extraction, always position the dust shield window as near as possible to the workpiece.

5.9 Adjusting the cutting depth



The cutting depth should always be set to a depth approx. 5 to 10 mm greater than the thickness of the material to be cut.

1. Press and hold down the release for the cutting depth adjustment **(1)**.
2. Push the slider to the required cutting depth **(2)**.
 - ▶ The cutting depth indicator has separate indicators for cuts with guide rail **(3)** and cuts without guide rail **(4)**.
3. Let go of the release for the cutting depth adjustment.

5.10 Setting cutting angle for bevel cuts



- Avoid different angle settings front and rear by not applying pressure to the auxiliary handle or the saw while tightening. If the angle settings differ it is not possible to make a straight cut.

1. Slacken the 2 clamping screws of the cutting angle adjustment **(1)**.




2. Swivel the product to the desired bevel cutting angle .
 - ▶ If you want to set an angle of -1° or greater than 45° (up to maximum 47°), press and hold down the release button **(2)**.
3. Tighten one of the two clamping screws of the cutting angle adjustment.
4. Tighten the opposing securing screw of the cutting angle adjustment.

5.11 Setting saw blade speed

Always use a speed that is suitable for the saw blade used and the material to be worked. By using an appropriate speed you prevent overheating of the saw teeth and extend the service life of the saw blades.

- ▶ Turn the speed selector knob to the appropriate position.

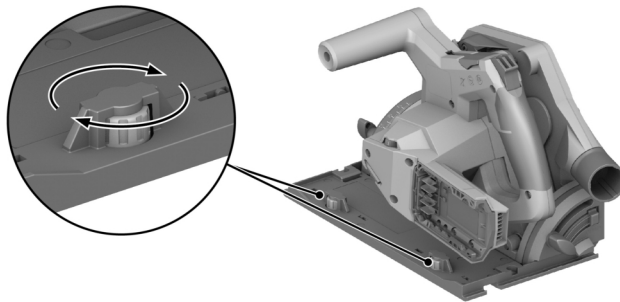
5.12 Installing parallel guide

 Depending on how it is installed on the product, the parallel guide can fulfill one of the two functions:

- L-shaped edge facing down:
Parallel guide for uniform cuts along an edge.
- L-shaped edge facing up:
Extension of the base plate for steadier guidance when cutting without guide rail.

1. Slacken the two clamping screws.
2. Slip the parallel guide into the mounts in the base plate.
3. Set the parallel guide to the distance required for the cut.
 - ▶ Make sure that the distances are the same on both sides.
4. Tighten the two clamping screws.

5.13 Setting product on guide rail



1. Place the product with the groove in the base plate on the guide rib.
2. Check the play between guide rail and base plate.
3. Adjust play by turning the eccentric screws **(1)**:
 - ▶ To reduce play, turn the eccentric screws clockwise.
 - ▶ To increase play, turn the eccentric screws counter-clockwise.
4. Adjust play to the minimum at which the gliding movement is not impaired.

6 Operation

Observe the safety instructions and warnings in this documentation and on the product.

6.1 Switching on or off

Switching on

1. Push the switch-on interlock up and hold it in this position.



2. Press and hold down the on/off switch.
3. Release the switch-on interlock.



The switch-on interlock remains in the disengaged position as long as you hold down the on/off switch or the plunge unit is in a plunge position. The switch-on interlock automatically snaps to the engaged position when the plunge unit is in the basic position and you release the on/off switch.

Switching off

4. Return the plunge unit to the basic position.
5. Release the on/off switch.

6.2 Dust and chips management

- Sawing with **dust extractor**:
Connect the suction hose to the dust removal connector and follow the instructions in the operating instructions for the dust extractor.
- Sawing with **dust bag**:
Connect the dust bag with the adapter to the dust removal connector for dust extractor.





You can also operate the product without dust collection method. Make sure that sawdust and chips can be ejected without obstruction.

6.3 Sawing along a line




Saw only flat workpieces that offer a big enough contact surface to accommodate the whole of the base plate.




1. Secure the workpiece to prevent movement and mark the line of cut (cutting mark).
2. Set the cutting depth.  12
3. Position the product with the adaptive cutting line indicator aligned with the marked line.
4. Switch the product on.  13
 - ▶ The plunge movement of the product is possible only with the on/off switch unlocked.
5. Plunge the plunge unit all the way into the workpiece **(1)**.
6. Guide the tool through the workpiece at a suitable speed.
7. With the saw blade running, swivel the plunge unit back to the basic position **(2)**.



In this way you prevent the saw blade from binding in the workpiece.

8. Switch the product off as soon as the plunge unit is in the basic position.  14


6.4 Making a plunge cut

1. Set the cutting depth.  12
2. Position the product on the workpiece.
3. Switch the product on.  13
 - ▶ The plunge movement of the product is possible only with the on/off switch unlocked.
4. Plunge the product all the way into the workpiece.
5. Guide the tool through the workpiece at a suitable speed.
6. Pivot the product out of the workpiece.
7. Switch the product off as soon as the plunge unit is in the basic position.  14

6.5 Making bevel cuts (angled cut)



The product has an adaptive cutting line indicator that adapts automatically to the set cutting angle. The adaptive cutting line indicator applies only to cuts made without guide rail. When cuts are made with the guide rail, the design of the product is such that the cutting line is independent of the set cutting angle.

1. Set the cutting angle for bevel cuts.  12



2. Position the product with the adaptive cutting line indicator aligned with the marked line.
3. Switch the product on. 13
4. Plunge the plunge unit into the workpiece.
5. Advance the product along the guide rail to make the cut through the workpiece.

6.6 Saw cuts with guide rail

1. Secure the guide rail with 2 screw clamps.
2. Place the base plate with the groove on the guide rib of the guide rail.
3. Set the cutting angle for bevel cuts. 12
4. Set the cutting depth. 12
5. Switch the product on. 13
6. Plunge the plunge unit into the workpiece.
7. Advance the product along the guide rail to make the cut through the workpiece.

7 Care and maintenance

WARNING

Risk of injury with battery inserted !

- ▶ Always remove the battery before carrying out care and maintenance tasks!

Care of the product

- Carefully remove stubborn dirt.
- Carefully clean the air vents, if present, with a dry, soft brush.
- Use only a slightly damp cloth to clean the housing. Do not use cleaning agents containing silicone as these can attack the plastic parts.
- Use a dry, clean cloth to clean the contacts of the product.

Care of the Li-ion batteries

- Never use a battery with clogged air vents. Clean the air vents carefully using a dry, soft brush.
- Avoid unnecessary exposure of the battery to dust and dirt. Never expose the battery to high levels of moisture (e.g. by being dipped in water or left in the rain).
If a battery has been soaked by moisture, treat it as a damaged battery. Isolate it in a non-flammable container and consult **Hilti** Service.
- Keep the battery free of extraneous oil and grease. Do not permit dust or dirt to accumulate unnecessarily on the battery. Clean the battery with a dry, soft brush or a clean, dry cloth. Do not use cleaning agents containing silicone as these can attack the plastic parts.
Do not touch the contacts of the battery and do not remove the factory-applied grease from the contacts.
- Use only a slightly damp cloth to clean the housing. Do not use cleaning agents containing silicone as these can attack the plastic parts.

Maintenance

- Check all visible parts and controls for signs of damage at regular intervals and make sure that they all function correctly.
- Do not use the product if signs of damage are found or if parts malfunction. Immediately have the product repaired by **Hilti** Service.
- After cleaning and maintenance, install all guards and protective devices and check that they are in full working order.



To help ensure safe and reliable operation, use only genuine Hilti spare parts and consumables. Spare parts, consumables and accessories approved by **Hilti** for use with your product can be found at your **Hilti Store** or online at: www.hilti.group

7.1 Cleaning the guard

1. Clean the parts of the guard carefully with a dry brush.
2. Use a suitable tool to remove deposits or cuttings from the inside surfaces of the parts of the guard.



7.2 Cleaning chip ejector channel

1. If you have a dust extractor connected to the dust removal connector, remove the suction hose from the dust removal connector.
2. Clean the chip ejector channel with a brush.

8 Transport and storage of cordless tools and batteries

Transport



CAUTION

Accidental starting during transport !

- ▶ Always transport your products with the batteries removed!
- ▶ Remove the battery/batteries.
- ▶ Never transport batteries loose and unprotected. During transport, batteries should be protected from excessive shock and vibration and isolated from any conductive materials or other batteries that may come in contact with the terminals and cause a short circuit. **Comply with the locally applicable regulations for transporting batteries.**
- ▶ Do not send batteries through the mail. Consult your shipper for instructions on how to ship undamaged batteries.
- ▶ Prior to each use and before and after prolonged transport, check the product and the batteries for damage.

Storage



WARNING

Accidental damage caused by defective or leaking batteries !


- ▶ Always store your products with the batteries removed!
- ▶ Store the product and the batteries in a cool and dry place. Comply with the temperature limits stated in the technical data.
- ▶ Do not store batteries on the charger. Always remove the battery from the charger when the charging operation has completed.
- ▶ Never leave batteries in direct sunlight, on sources of heat, or behind glass.
- ▶ Store the product and batteries where they cannot be accessed by children or unauthorized persons.
- ▶ Prior to each use and before and after prolonged storage, check the product and the batteries for damage.

9 Troubleshooting

If a problem occurs, always observe the status indicator of the battery. See the section headed **Status indicators of the Li-ion battery**.



If the trouble you are experiencing is not listed in this table or you are unable to rectify the problem by yourself, contact **Hilti Service**.

Trouble or fault	Possible cause	Action to be taken
The on/off button cannot be pressed, i.e. the button is locked.	Not a fault (safety function).	▶ Press the switch-on interlock.
Running speed suddenly drops considerably.	Battery is discharged. Saw advance pressure is too high.	▶ Charge the battery. ▶ Reduce advance pressure and switch the power tool back on.
No suction power or reduced suction power	The chip / dust channel is blocked.	▶ Clean the chip ejector channel.  16
The product doesn't restart by itself after the saw blade has stalled.	The overload cut-out has been activated.	▶ Press the switch-on interlock and the on/off button again.



Trouble or fault	Possible cause	Action to be taken
The battery does not engage with an audible click.	The retaining lugs on the battery are dirty.	▶ Clean the retaining lug and re-insert the battery.
Product vibrates more than usual.	The saw blade is fitted incorrectly.	▶ Remove the saw blade and refit it correctly.
LEDs of the battery show nothing	Battery defective	▶ Contact Hilti Service .

10 Disposal



WARNING

Risk of injury due to incorrect disposal! Health hazards due to escaping gases or liquids.

- ▶ DO NOT send batteries through the mail!
- ▶ Cover the terminals with a non-conductive material (such as electrical tape) to prevent short circuiting.
- ▶ Dispose of your battery out of the reach of children.
- ▶ Dispose of the battery at your **Hilti Store**, or consult your local governmental garbage disposal or public health and safety resources for disposal instructions.



Most of the materials from which **Hilti** products are manufactured can be recycled. The materials must be correctly separated before they can be recycled. In many countries, your old tools, machines or appliances can be returned to **Hilti** for recycling. Ask **Hilti Service** or your Hilti sales representative for further information.



- ▶ Do not dispose of power tools, electronic equipment or batteries as household waste!

11 Manufacturer's warranty

- ▶ Please contact your local **Hilti** representative if you have questions about the warranty conditions.

12 Further information

For more information on operation, technology, environment and recycling, follow this link: qr.hilti.com/manual?id=2276609&id=2276671

This link is also to be found at the end of the documentation, in the form of a QR code.

Notice d'utilisation originale

1 Indications relatives au mode d'emploi

1.1 À propos de ce mode d'emploi

- **Avertissement !** Il convient de lire et comprendre toute la documentation jointe, y compris, sans s'y limiter, les instructions, avertissements de sécurité, illustration et spécifications fournies avec le présent produit. Prenez connaissance de toutes les instructions, avertissements de sécurité, illustrations, spécifications et fonctions du produit avant de l'utiliser. Tout manquement à cette obligation peut entraîner un choc électrique, un incendie, et/ou des blessures graves. Conservez l'ensemble des avertissements et instructions pour consultation ultérieure.
- Les produits sont destinés aux professionnels et ne doivent être utilisés, entretenus et réparés que par un personnel autorisé et formé. Ce personnel doit être spécialement instruit quant aux dangers inhérents à l'utilisation de l'appareil. Le produit et ses accessoires peuvent s'avérer dangereux s'ils sont utilisés de manière incorrecte par un personnel non qualifié ou de manière non conforme à l'usage prévu.
- La documentation ci-jointe correspond à l'état actuel de la technique à la date d'impression. Veuillez toujours consulter la dernière version sur la page du produit sur le site Internet de Hilti. Pour ce faire, suivez le lien ou scannez le code QR dans la documentation, indiqué par le symbole
- Ne pas prêter ou céder le produit à un autre utilisateur sans lui fournir le présent mode d'emploi.



1.2 Explication des symboles

1.2.1 Avertissements

Les avertissements attirent l'attention sur des dangers liés à l'utilisation du produit. Les termes de signalisation suivants sont utilisés :



DANGER !

- Pour un danger imminent qui peut entraîner de graves blessures corporelles ou la mort.



AVERTISSEMENT !

- Pour un danger potentiel qui peut entraîner de graves blessures corporelles ou la mort.



ATTENTION !

- Pour une situation potentiellement dangereuse pouvant entraîner des blessures corporelles ou des dégâts matériels.

1.2.2 Symboles dans le manuel d'utilisation

Les symboles suivants sont utilisés dans le présent manuel d'utilisation :

	Respecter le manuel d'utilisation
	Pour des conseils d'utilisation et autres informations utiles
	Maniement des matériaux recyclables
	Ne pas jeter les appareils électriques et les accus dans les ordures ménagères
	Hilti Accu Li-Ion
	Hilti Chargeur

1.2.3 Symboles dans les illustrations

Les symboles suivants sont utilisés dans les illustrations :

	Ces chiffres renvoient à l'illustration correspondante au début du présent manuel d'utilisation.
	La numérotation détermine la séquence des étapes de travail dans l'image et peut se différencier de celles des étapes de travail dans le texte.
	Les numéros de position sont utilisés dans l'illustration Vue d'ensemble et renvoient aux numéros des légendes dans la section Vue d'ensemble du produit .
	Ce signe doit inviter à manier le produit en faisant particulièrement attention.

1.3 Symboles spécifiques au produit

1.3.1 Symboles généraux

Symbole utilisés en liaison avec le produit.

n_0	Vitesse nominale à vide
	Courant continu
	Flèche indiquant le sens de rotation
RPM	Tours par minute



	Diamètre
	Lame de scie
	Le produit prend en charge la transmission de données sans fil qui est compatible avec les plates-formes iOS et Android.
	Si présent sur le produit, c'est que le produit a été certifié conformément aux normes en vigueur par cet organisme de certification pour le marché nord-américain et canadien.
Li-Ion	Accu lithium-ions
	Ne jamais utiliser l'accu comme outil de percussion.
	Ne pas laisser tomber l'accu. Ne pas utiliser d'accu ayant subi un choc ou d'autres dommages.

1.3.2 Symboles d'obligation

Les symboles d'obligation suivants sont utilisés sur le produit :

	Porter des lunettes de protection
--	-----------------------------------

2 Sécurité

2.1 Indications générales de sécurité pour les appareils électriques

⚠ AVERTISSEMENT Lire toutes les consignes de sécurité et instructions, illustrations et caractéristiques techniques, qui accompagnent cet outil électroportatif. Tout manquement à l'observation des instructions suivantes risque de provoquer une électrocution, un incendie et/ou de graves blessures.

Les consignes de sécurité et instructions doivent être intégralement conservées pour les utilisations futures.

La notion d'« outil électroportatif » mentionnée dans les consignes de sécurité se rapporte à des outils électriques raccordés au secteur (avec câble d'alimentation) et à des outils électriques sur accu (sans câble d'alimentation).

Sécurité sur le lieu de travail

- ▶ **Conserv**er la zone de travail propre et bien éclairée. Un lieu de travail en désordre ou mal éclairé augmente le risque d'accidents.
- ▶ **Ne pas faire fonctionner les outils électriques en atmosphère explosive et où se trouvent des liquides, des gaz ou poussières inflammables.** Les outils électriques produisent des étincelles qui peuvent enflammer les poussières ou les fumées.
- ▶ **Maintenir les enfants et les personnes présentes à l'écart pendant l'utilisation de l'outil électroportatif.** En cas d'inattention il y a risque de perdre le contrôle de l'appareil.

Sécurité relative au système électrique

- ▶ **La fiche de secteur de l'outil électroportatif doit être adaptée à la prise de courant. Ne jamais modifier la fiche de quelque façon que ce soit. Ne pas utiliser d'adaptateurs avec des outils électriques à branchement de terre.** Des fiches non modifiées et des prises de courant adaptées réduiront le risque de choc électrique.
- ▶ **Éviter le contact physique avec des surfaces mises à la terre tels que tuyaux, radiateurs, cuisinières et réfrigérateurs.** Il y a un risque élevé de choc électrique au cas où votre corps serait relié à la terre.
- ▶ **Ne pas exposer les outils électroportatifs à la pluie ou à l'humidité.** La pénétration d'eau à l'intérieur d'un outil électroportatif augmentera le risque d'un choc électrique.
- ▶ **Ne jamais utiliser le câble de raccordement à d'autres fins que celles prévues, telles que pour porter, accrocher ou débrancher l'outil électroportatif de la prise de courant. Maintenir le câble de raccordement à l'écart de la chaleur, des parties grasses, des bords tranchants ou des parties en mouvement.** Des câbles de raccordement endommagés ou emmêlés augmentent le risque de choc électrique.
- ▶ **Si l'outil électroportatif est utilisé à l'extérieur, utiliser uniquement des câbles de rallonge homologués pour les applications extérieures.** L'utilisation d'un câble de rallonge homologué pour les applications extérieures réduit le risque d'un choc électrique.



- ▶ **Si l'utilisation de l'outil électrique dans un environnement humide ne peut pas être évitée, utiliser un interrupteur de protection contre les courants de court-circuit.** L'utilisation d'un tel interrupteur de protection réduit le risque d'une décharge électrique.

Sécurité des personnes

- ▶ **Rester vigilant, surveiller ce que l'on fait. Faire preuve de bon sens en utilisant l'outil électroportatif. Ne pas utiliser l'outil électroportatif en étant fatigué ou sous l'emprise de l'alcool, de drogues ou de médicaments.** Un moment d'inattention lors de l'utilisation de l'outil électroportatif peut entraîner des blessures graves.
- ▶ **Utiliser un équipement de protection personnel et toujours porter une protection pour les yeux.** Les équipements de protection personnels tels que masque antipoussière, chaussures de sécurité antidérapantes, casque de protection ou protection acoustique suivant l'utilisation de l'outil électroportatif, réduiront le risque de blessures des personnes.
- ▶ **Éviter une mise en service par mégarde. S'assurer que l'outil électroportatif est arrêté avant de le brancher à la source de courant et/ou à l'accu, de le prendre ou de le porter.** Le fait de porter l'outil électroportatif avec le doigt sur l'interrupteur ou de brancher l'appareil sur la source de courant lorsque l'interrupteur est en position de fonctionnement peut entraîner des accidents.
- ▶ **Retirer tout outil de réglage ou toute clé avant de mettre l'outil électroportatif en fonctionnement.** Une clé ou un outil se trouvant sur une partie en rotation peut causer des blessures.
- ▶ **Adopter une bonne posture. Veiller à toujours garder une position stable et équilibrée.** Cela permet un meilleur contrôle de l'outil électroportatif dans des situations inattendues.
- ▶ **S'habiller de manière adaptée. Ne pas porter de vêtements amples ni de bijoux. Garder les cheveux, les vêtements et les gants à distance des parties en mouvement.** Des vêtements amples, des bijoux ou des cheveux longs peuvent être happés par des parties en mouvement.
- ▶ **Si des dispositifs servant à aspirer ou à recueillir les poussières doivent être utilisés, s'assurer qu'ils sont effectivement raccordés et correctement utilisés.** L'utilisation d'un dispositif d'aspiration de la poussière peut réduire les risques dus aux poussières.
- ▶ **Ne pas sous-estimer les mesures de sécurité à prendre et ne pas ignorer sciemment les règles de sécurité applicables aux outils électriques, même si l'on est utilisateur chevronné après de fréquentes utilisations de l'outil électroportatif.** Un manque d'attention peut conduire à de graves blessures en quelques fractions de seconde.

Utilisation et maniement de l'outil électroportatif

- ▶ **Ne pas forcer l'appareil. Utiliser l'outil électroportatif adapté au travail à effectuer.** Un outil électroportatif approprié réalisera mieux le travail et de manière plus sûre au régime pour lequel il a été conçu.
- ▶ **Ne pas utiliser d'outil électroportatif dont l'interrupteur est défectueux.** Tout outil électroportatif qui ne peut plus être mis en ou hors fonctionnement est dangereux et doit être réparé.
- ▶ **Débrancher la fiche de la prise de courant et/ou l'accu amovible avant d'effectuer des réglages sur l'appareil, de changer les accessoires, ou de ranger l'appareil.** Cette mesure de précaution empêche une mise en fonctionnement par mégarde de l'outil électroportatif.
- ▶ **Conserver les outils électroportatifs non utilisés hors de portée des enfants. Ne permettre l'utilisation de l'appareil à aucune personne qui ne soit pas familiarisée avec celui-ci ou qui n'a pas lu ces instructions.** Les outils électroportatifs sont dangereux lorsqu'ils sont entre les mains de personnes non initiées.
- ▶ **Prendre soin des outils électroportatifs et des accessoires. Vérifier que les parties en mouvement fonctionnent correctement et qu'elles ne sont pas coincées, et contrôler si des parties sont cassées ou endommagées de sorte que le bon fonctionnement de l'outil électroportatif s'en trouve entravé. Faire réparer les parties endommagées avant d'utiliser l'appareil.** De nombreux accidents sont dus à des outils électroportatifs mal entretenus.
- ▶ **Garder les outils de coupe affûtés et propres.** Des outils destinés à couper correctement entretenus avec des arêtes de coupe tranchantes sont moins susceptibles de bloquer et sont plus faciles à contrôler.
- ▶ **L'outil électroportatif, les accessoires, les outils amovibles, etc. doivent être utilisés conformément à ces instructions. Tenir également compte des conditions de travail et du travail à réaliser.** L'utilisation des outils électroportatifs à d'autres fins que celles prévues peut entraîner des situations dangereuses.
- ▶ **Veiller à ce que les poignées et surfaces de préhension soient toujours être sèches, propres et exemptes de traces de graisse ou d'huile.** Avec des poignées et surfaces de préhension glissantes, la sécurité et le contrôle de l'outil électroportatif ne peuvent être assurés dans des situations inopinées.



Utilisation et maniement de l'outil sur accus

- ▶ **Ne charger les accus que dans des chargeurs recommandés par le fabricant.** Si un chargeur approprié à un type spécifique d'accus est utilisé avec des accus non recommandés pour celui-ci, il y a risque d'incendie.
- ▶ **Dans les outils électroportatifs, utiliser uniquement les accus spécialement prévus pour ceux-ci.** L'utilisation de tout autre accus peut entraîner des blessures et des risques d'incendie.
- ▶ **Tenir l'accu non utilisé à l'écart de tous objets métalliques tels qu'agrafes, pièces de monnaie, clés, clous, vis ou autres, étant donné qu'un pontage peut provoquer un court-circuit.** Un court-circuit entre les contacts d'accu peut provoquer des brûlures ou un incendie.
- ▶ **En cas d'utilisation abusive, du liquide peut sortir de l'accu. Éviter tout contact avec ce liquide. En cas de contact par mégarde, rincer soigneusement avec de l'eau. Au cas où le liquide rentrerait dans les yeux, consulter en plus un médecin.** Le liquide qui sort de l'accu peut entraîner des irritations de la peau ou causer des brûlures.
- ▶ **Ne pas utiliser d'accu endommagé ou modifié.** Des accus endommagés ou modifiés peuvent avoir un comportement imprévisible et provoquer un incendie, une explosion ou engendrer un risque de blessures.
- ▶ **Ne jamais exposer l'accu au feu ou à des températures trop élevées.** Le feu ou des températures supérieures à 130 °C (265 °F) peuvent provoquer une explosion.
- ▶ **Suivre toutes les instructions de charge et ne jamais charger l'accu ou l'outil sur accus hors de la plage de températures spécifiée dans le manuel d'utilisation.** Une charge inappropriée ou hors de la plage de températures spécifiée risque d'endommager l'accu et accroître le risque d'incendie.

Service

- ▶ **L'outil électroportatif doit uniquement être réparé par un personnel qualifié et seulement avec des pièces de rechange d'origine.** Ceci permet d'assurer la sécurité de l'appareil.
- ▶ **Ne jamais entretenir d'accus endommagés.** Toutes les opérations d'entretien sur des accus doivent exclusivement être réalisées par le fabricant ou un prestataire de service client agréé.

2.2 Instructions de sécurité pour toutes les scies

Procédure de sciage

- ▶ **⚠ DANGER : ne pas approcher les mains de la zone de coupe et de la lame. Garder la deuxième main sur la poignée auxiliaire ou sur le boîtier du moteur.** Lorsque les deux mains tiennent la scie, elles ne peuvent pas être coupées par la lame.
- ▶ **Ne pas passer les mains sous la pièce à travailler.** Sous la pièce à travailler, le capot ne protège pas l'utilisateur de la lame.
- ▶ **Ajuster la profondeur de coupe à l'épaisseur de la pièce à travailler.** Il faut que moins de la totalité d'une dent soit visible sous la pièce à travailler.
- ▶ **Ne jamais tenir la pièce à travailler dans les mains ou sur les jambes. S'assurer que la pièce à travailler se trouve sur une plate-forme stable.** Il est important que la pièce à travailler soit soutenue convenablement afin de minimiser l'exposition du corps, le grippage de la lame et le risque de perte de maîtrise.
- ▶ **Maintenir l'outil uniquement par les surfaces de prise isolantes si l'outil coupant en marche peut être en contact avec des conducteurs cachés.** Le contact avec un fil sous tension mettra également sous tension les parties métalliques exposées de l'outil et provoquera un choc électrique sur l'utilisateur.
- ▶ **Pour les coupes longitudinales, toujours utiliser un guide parallèle ou un guide à bords droits.** Cela améliore la précision de la coupe et réduit le risque de grippage de la lame.
- ▶ **Toujours utiliser des lames dont la taille et la forme des trous de centrage sont convenables (par exemple en étoile ou ronds).** Les lames qui ne correspondent pas aux éléments de montage de la scie se décentreront, provoquant une perte de maîtrise.
- ▶ **Ne jamais utiliser de rondelles ou de boulons de lames endommagés ou inadaptés.** Les rondelles et les boulons de lames ont été conçus spécialement pour garantir les meilleures performances et la sûreté de fonctionnement de votre scie.

Recul – Causes et instructions de sécurité correspondantes

- Le recul est une réaction soudaine observée sur une lame de scie pincée, bloquée ou mal alignée, faisant sortir la scie de la pièce à travailler de manière incontrôlée, dans la direction de l'opérateur ;
- lorsque la lame est pincée ou grippée dans le fond du trait de scie, elle se bloque et la force du moteur renvoie soudainement la scie vers l'opérateur ;
- Si la lame se tord ou est mal alignée lors de la coupe, les dents du bord arrière peuvent creuser la face supérieure du bois, de sorte que la lame sort du trait de scie et est projetée vers l'opérateur.



Le recul est le résultat d'un mauvais usage de la scie. Il peut être évité en prenant les précautions adéquates décrites ci-dessous.

- ▶ **Maintenir la scie avec les deux mains et positionner les bras de façon à résister aux forces de recul. Positionner le corps d'un côté de la lame, mais pas dans son alignement.** Le recul peut faire revenir la scie en arrière, mais les forces de recul peuvent être maîtrisées par l'opérateur si les précautions adéquates sont prises.
- ▶ **Lorsque la lame est grippée ou lorsqu'une coupe est interrompue pour quelle que raison que ce soit, arrêter la scie et la maintenir immobile dans le matériau jusqu'à l'arrêt complet de la lame. Ne jamais essayer de retirer la scie de la pièce à travailler ou de tirer la scie en arrière pendant que la lame est en mouvement ou que le recul peut se produire.** Rechercher la cause du grippage de la lame et prendre des mesures correctives pour l'empêcher.
- ▶ **Lors de la remise en marche d'une scie dans la pièce à travailler, centrer la lame dans le trait de scie, de sorte que les dents ne soient pas rentrées dans le matériau.** Si la lame est grippée, elle peut venir chevaucher la pièce à travailler ou provoquer un recul au moment de la remise en marche de la scie.
- ▶ **Placer les panneaux de grande taille sur un support afin de minimiser le risque de grippage de la lame et de recul.** Les grands panneaux ont tendance à fléchir sous leur propre poids. Les panneaux doivent reposer sur des supports des deux côtés, près de la ligne de coupe et près du bord du panneau.
- ▶ **Ne pas utiliser de lames émoussées ou endommagées.** Les lames non aiguisées ou mal fixées produisent un trait de scie rétréci, ce qui provoque ainsi des frottements excessifs, le grippage de la lame et un recul.
- ▶ **Avant le sciage, vérifier le serrage des réglages de la profondeur de coupe et de l'angle de coupe.** Si les réglages varient pendant la coupe, cela peut provoquer un grippage et un recul.
- ▶ **Travailler avec d'autant plus de prudence pour découper des parois existantes ou d'autres zones sans visibilité.** La lame plongeante risque de se coincer dans des objets cachés et de provoquer un recul.

Fonctionnement du capot protecteur

- ▶ **Avant chaque utilisation, s'assurer que le capot est bien fermé. Ne pas utiliser la scie si le capot ne se déplace pas librement et ne se ferme pas instantanément. Ne jamais bloquer ni attacher le capot protecteur, car la lame serait exposée.** Si la scie tombe accidentellement, le capot risque de se déformer. S'assurer que le capot bouge librement et n'est pas en contact avec la lame ou d'autres éléments de l'appareil, à tous les angles et à toutes les profondeurs de coupe.
- ▶ **Vérifier l'état et le fonctionnement du ressort du capot protecteur. Si le capot et son ressort ne fonctionnent pas correctement, il faut faire réviser la scie avant utilisation.** Le capot peut fonctionner lentement en raison d'éléments endommagés, de dépôts agglutinés ou de l'accumulation de sciures.
- ▶ **Lors d'une "coupe plongeante" non perpendiculaire, s'assurer que la semelle ne dévie pas.** La déviation latérale peut entraîner le grippage de la lame et provoquer un rebond.
- ▶ **Avant de poser la scie sur un établi ou sur le sol, toujours vérifier que le capot recouvre la lame.** Une lame non protégée et continuant à fonctionner par inertie entraînera la scie en arrière et coupera alors tout ce qui se trouve sur sa trajectoire. Tenir compte du temps qu'il faut à la lame pour s'arrêter complètement.

2.3 Consignes de sécurité supplémentaires

Sécurité des personnes

- ▶ Ne jamais entreprendre de manipulations ou de modifications sur l'outil électroportatif ou les accessoires.
- ▶ Utiliser l'outil électroportatif uniquement avec ses dispositifs de sécurité.
- ▶ En cas d'exploitation de l'outil électroportatif sans dispositif d'aspiration des poussières, toujours porter une légère protection respiratoire lors de travaux générant de la poussière.
- ▶ Toujours tenir l'outil électroportatif des deux mains par les poignées prévues à cet effet.
- ▶ Porter un casque antibruit. Le bruit peut entraîner une perte de l'audition.
- ▶ Faire régulièrement des pauses et des exercices de relaxation et de massage des doigts pour favoriser l'irrigation sanguine des doigts.
- ▶ L'outil électroportatif n'est pas destiné à être utilisé par des personnes affaiblies sans encadrement.
- ▶ Ne mettre l'outil électroportatif en marche que sur le poste de travail après l'avoir mis en position de travail.
- ▶ Retirer l'accu en cas de problèmes avec l'outil électroportatif, lors du changement d'accessoires et pendant le stockage et le transport de l'outil électroportatif.
- ▶ Ne pas utiliser l'outil électroportatif au-dessus de la tête.
- ▶ Ne pas freiner l'outil électroportatif en exerçant une contre-pressure latérale contre la lame de la scie.



- ▶ Avant de mettre l'accu en place, vérifier que la scie est éteinte et que le dispositif de blocage est enclenché. Cela permet d'éviter les blessures dues à un démarrage accidentel de l'outil électroportatif.
- ▶ Ne pas toucher le flasque de serrage et la vis de serrage pendant que l'outil électroportatif est en marche.
- ▶ Avant de poser l'outil électroportatif, attendre que la lame de scie soit complètement arrêtée.
- ▶ Avant de changer l'outil amovible, attendre que l'outil électroportatif soit refroidi.
- ▶ Ne jamais actionner le blocage de la broche lorsque la lame de scie tourne.
- ▶ Ne pas diriger l'outil électroportatif vers des personnes.
- ▶ Le dispositif de blocage doit toujours être enclenché lors du changement d'accessoires ou d'accus, lors du transport ou lors du stockage de l'outil électroportatif.
- ▶ Toujours utiliser une lame de scie adaptée au matériau et aux propriétés de la pièce à usiner.
- ▶ Ne jamais monter de disques à meuler de quelque type que ce soit sur cet outil électroportatif.
- ▶ Amener l'outil électroportatif uniquement à l'état mis en marche contre la pièce à travailler.
- ▶ Adapter la force d'avance à la lame de scie et au matériau à traiter. Cela évite un blocage de la lame de scie, ce qui risquerait de provoquer un rebond.
- ▶ Éviter toute surchauffe des pointes des dents de scie.
- ▶ La vitesse admissible de l'outil amovible doit au moins être égale à la vitesse supérieure indiquée sur l'outil électroportatif. Les accessoires dont la vitesse de rotation est supérieure à celle admissible risquent de se briser ou de voltiger.
- ▶ Ne pas travailler dans un environnement très poussiéreux.
- ▶ La poussière générée par le meulage, le ponçage, le tronçonnage et le forage peut contenir des produits chimiques dangereux. Par exemple : plomb ou peinture à base de plomb ; brique, béton et autres produits de maçonnerie, pierre naturelle et autres produits contenant des silicates ; certains bois, tels que le chêne, le hêtre et le bois traité chimiquement ; amiante ou matériaux contenant de l'amiante. Déterminer l'exposition de l'opérateur et personnes se trouvant dans l'entourage en fonction de la classe de danger des matériaux traités. Prendre les mesures nécessaires pour maintenir l'exposition à un niveau sûr, par exemple en utilisant un système de collecte des poussières ou en portant une protection respiratoire appropriée. Mesures générales visant à réduire l'exposition :
 - ▶ Travailler dans un endroit bien ventilé
 - ▶ Éviter le contact prolongé avec la poussière
 - ▶ Faire en sorte que la poussière soit dirigée loin du visage et du corps
 - ▶ Porter des vêtements de protection et laver les zones exposées à l'eau et au savon
- ▶ Dans l'espace de travail, toujours porter un masque antipoussière qui satisfait aux exigences de l'application.
- ▶ Lors de l'utilisation de l'outil électroportatif, porter dans l'espace de travail des lunettes de protection adaptées, un casque de protection, un casque antibruit, des gants de protection et des chaussures de protection.
- ▶ Avant le début du travail, prendre connaissance de la classe de risque de la poussière générée lors des travaux. Utiliser un aspirateur avec une classification de sécurité autorisée officiellement et conforme aux dispositions locales concernant les poussières.
- ▶ Observer les exigences en matière de sécurité nationales en vigueur.
- ▶ Utiliser un dispositif de serrage ou tout autre moyen pratique pour sécuriser la pièce travaillée et la maintenir dans une position stable. Le maintien de la pièce travaillée avec la main ou le corps est instable et risque d'entraîner la perte de contrôle. Ne pas laisser une tierce personne tenir la pièce à travailler en position.
- ▶ Ne pas scier dans des matériaux supports inconnus et maintenir la trajectoire en haut et en bas exempte de tout obstacle. Si la lame de scie heurte un objet, elle peut déclencher un mouvement de recul au niveau de l'outil électroportatif.
- ▶ Risque de blessures dues à la chute d'outils et/ou d'accessoires. Avant de commencer à travailler, contrôler si l'accessoire monté est solidement fixé.
- ▶ Lors du sciage avec un dispositif d'aspiration de poussières, éviter de toucher le capot anti-poussière ou le tuyau d'aspiration. Les matériaux qui génèrent beaucoup de poussière peuvent présenter un risque accru de choc électrostatique.
- ▶ Vérifier qu'il n'y a pas d'obstacles dans la surface de coupe, tels que des clous, vis ou autres pièces métalliques.
- ▶ Utiliser exclusivement des lames de scie recommandées par Hilti, conformes à la norme EN 847-1.
- ▶ Lors du sciage de matière plastique, veiller à ce que la pièce ne devienne pas trop chaude et ne fonde pas.



Sécurité relative au système électrique

- ▶ Avant d'entamer le travail, vérifier, par exemple à l'aide d'un détecteur, qu'il n'y a pas de câbles ou gaines électriques, tuyaux de gaz ou d'eau cachés dans la zone d'intervention. Les pièces métalliques extérieures de l'outil électroportatif peuvent devenir conductrices, par exemple en endommageant par inadvertance un câble électrique. Ceci augmente le risque d'un choc électrique.

2.4 Utilisation et emploi soigneux des batteries

- ▶ **Respecter les consignes de sécurité suivantes relatives à la manipulation et à l'utilisation des accus Li-Ion.** Le non-respect de telles mesures risque de provoquer des irritations cutanées, des blessures graves corrosives, des brûlures chimiques, des incendies et/ou des explosions.
- ▶ Utiliser les accus uniquement dans un état techniquement impeccable.
- ▶ Traiter les accus avec soin pour éviter les endommagement et les fuites de liquides très nocifs pour la santé !
- ▶ Les accus ne doivent en aucun cas être modifiés ou manipulés !
- ▶ Il est interdit de démonter, écraser, chauffer les accus à une température supérieure à 80 °C (176 °F) ou de les jeter au feu.
- ▶ Ne pas utiliser ni recharger d'accus ayant subi un choc ou ayant été endommagés de quel-qu'autre manière. Vérifier régulièrement l'absence de traces d'endommagement sur les accus.
- ▶ Ne jamais utiliser d'accus recyclés ou réparés.
- ▶ Ne jamais utiliser l'accu ni aucun outil électrique sans fil comme outil de percussion.
- ▶ Ne jamais exposer les accus à un rayonnement direct du soleil, des températures élevées, des étincelles ou des flammes nues. Il y a alors risque d'explosions.
- ▶ Ne jamais toucher les pôles avec les doigts, des outils, des bijoux ou tout autre objet métallique. Cela peut endommager l'accu et entraîner des dommages matériels et des blessures.
- ▶ Maintenir les accus à l'abri de la pluie, de l'humidité et des liquides. Toute pénétration d'humidité risque de provoquer un court-circuit, des chocs électriques, des brûlures, des incendies ou des explosions.
- ▶ Utiliser exclusivement les chargeurs et outils électriques prévus pour le type d'accu considéré. Respecter à ce sujet les indications du mode d'emploi correspondant.
- ▶ Ne pas utiliser ni stocker l'accu dans des environnements présentant des risques d'explosion.
- ▶ Si l'accu est trop chaud pour être touché, il est probablement défectueux. Placer l'accu dans un endroit bien visible, non inflammable et suffisamment éloigné de matériaux inflammables. Laisser l'accu refroidir. Si, après une heure, l'accu est toujours trop chaud pour être saisi, c'est qu'il est défectueux. Contacter le service après-vente **Hilti** ou consulter le document « Instructions de sécurité et d'utilisation pour les accus Li-Ion **Hilti** ».



Respecter les directives spécifiques pour le transport, le stockage et l'utilisation d'accus Li-Ion.

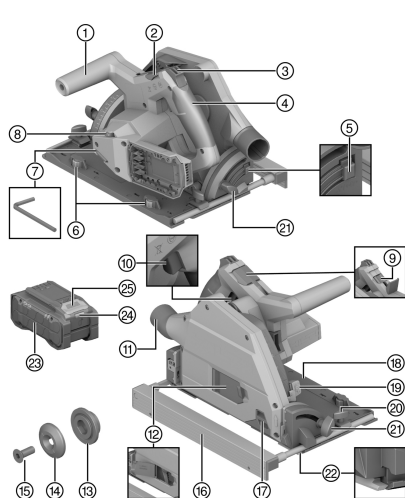


Lire les remarques relatives à la sécurité et à l'utilisation des accus Li-Ion **Hilti** que vous trouverez en scannant le code QR à la fin de ce mode d'emploi.



3 Description

3.1 Vue d'ensemble du produit



- ① Poignée supplémentaire
- ② Levier à crans changement de lame de scie
- ③ Anti-démarrage
- ④ Poignée principale
- ⑤ Bouton de déverrouillage angle de coupe -1° et 47°
- ⑥ Molette de réglage compensation du jeu (jeu entre le rail de guidage et la rainure de guidage dans la semelle)
Clé à six pans
- ⑦ Molette de réglage vitesse de rotation de la lame de scie
- ⑧ Blocage de la broche
- ⑨ Interrupteur Marche / Arrêt
- ⑩ Éjection des copeaux / manchon de raccordement
- ⑪ Trappe de montage pour changement de lame de scie
- ⑫ Flasque support
- ⑬ Flasque de serrage
- ⑭ Vis de serrage
- ⑮ Butée parallèle
- ⑯ Fenêtre anti-poussière coulissante
- ⑰ Semelle
- ⑱ Réglage de la profondeur de coupe
- ⑳ Vis de serrage butée parallèle
- ㉑ Vis de serrage réglage de l'angle de coupe
- ㉒ Indicateur de coupe adaptatif
- ㉓ Accu
- ㉔ Indicateur d'état accu
- ㉕ Bouton de déverrouillage de l'accu

3.2 Utilisation conforme à l'usage prévu

Le produit décrit est une scie circulaire plongeante sur accu. Il est conçu pour des travaux de sciage et coupes plongeantes dans les matériaux suivants exclusivement :

- Bois et matériaux assimilés
- Matières plastiques
- Plaques de placoplâtre
- Plaques de fibrociment
- Métaux non ferreux

Le produit est conçu pour les travaux de menuiserie et d'aménagement intérieur.

La scie circulaire manuelle est équipée d'une tubulure de raccordement pour un dispositif d'aspiration de poussières conçu pour tuyaux d'aspirateur courants. Le raccordement du dispositif d'aspiration de poussières peut nécessiter un adaptateur approprié.

Utiliser exclusivement des lames de scie homologuées pour le produit et conformes aux indications des caractéristiques techniques (par ex. diamètre, vitesse de rotation, épaisseur, matériau, etc.). Les disques à meuler et à tronçonner sont pas autorisés ainsi que les lames de scie en acier rapide fortement alliés (HSS). Ne scier que des pièces planes offrant une surface de pose suffisamment grande pour la semelle.

- Pour ce produit, utiliser exclusivement des accus Li-Ion **Hilti** de la série B 22. **Hilti** recommande d'utiliser pour ce produit les accus indiqués dans le tableau fourni à la fin de ce manuel d'utilisation.
- Pour ces accus, n'utiliser que des chargeurs **Hilti** des séries indiquées à la fin de ce manuel d'utilisation.



3.3 Éléments livrés

Scie circulaire sans fil, lame de scie, mode d'emploi.



D'autres produits système pour votre produit peuvent être trouvés dans votre **Hilti Store** ou à l'adresse : www.hilti.group

3.4 Affichages de l'accu Li-Ion

Les accus Li-Ion **Hilti** Nuron peuvent afficher l'état de charge, les messages d'erreur et l'état de l'accu.

3.4.1 Affichages de l'état de charge et des messages d'erreur



AVERTISSEMENT

Risque de blessures en cas de chute de l'accu !

- Lorsque l'accu est inséré et après avoir appuyé sur la touche de déverrouillage, s'assurer que l'accu est correctement réenclenché dans le produit utilisé.

Pour consulter un des affichages suivants, appuyer brièvement sur la touche de déverrouillage de l'accu. L'état de charge et les dysfonctionnements possibles sont affichés en permanence tant que le produit raccordé est allumé.

État	Signification
Quatre (4) DEL sont allumées en vert en continu	État de charge : de 100 % à 71 %
Trois (3) DEL sont allumées en vert en continu	État de charge : de 70 % à 51 %
Deux (2) DEL sont allumées en vert en continu	État de charge : de 50 % à 26 %
Une (1) DEL est allumée en vert en continu	État de charge : de 25 % à 10 %
Une (1) DEL clignote lentement en vert	État de charge : < 10 %
Une (1) DEL clignote rapidement en vert	L'accu Li-Ion est entièrement déchargé. Charger l'accu. Si la DEL continue de clignoter rapidement après la charge de l'accu, s'adresser au S.A.V. Hilti .
Une (1) DEL clignote rapidement en jaune	L'accu Li-Ion ou le produit correspondant est surchargé, trop chaud, trop froid ou il y a un autre défaut. Amener le produit et l'accu à la température de travail recommandée et ne pas surcharger le produit pendant son utilisation. Si le message ne disparaît pas, s'adresser au S.A.V. Hilti .
Une (1) DEL est allumée en jaune	L'accu Li-Ion ainsi que le produit connecté ne sont pas compatibles. Merci de s'adresser au S.A.V. Hilti .
Une (1) DEL clignote rapidement en rouge	L'accu Li-Ion est verrouillé et ne peut plus être utilisé. Merci de s'adresser au S.A.V. Hilti .

3.4.2 Affichages de l'état de l'accu

Pour consulter l'état de l'accu, maintenir la touche de déverrouillage enfoncée pendant plus de trois secondes. Le système ne détecte aucun dysfonctionnement potentiel de la batterie dû à une utilisation incorrecte, par ex. chute, piqûres, dommages externes dus à la chaleur, etc.

État	Signification
Toutes les DEL forment un chenillard, puis une (1) DEL est allumée en vert en continu.	L'accu peut continuer à être utilisé.
Toutes les DEL forment un chenillard, puis une (1) DEL clignote rapidement en jaune.	L'interrogation de l'état de l'accu n'a pas pu être terminée. Répéter la procédure ou s'adresser au S.A.V. Hilti .



État	Signification
Toutes les DEL forment un chenillard, puis une (1) DEL est allumée en rouge en continu.	Si un produit raccordé peut continuer à être utilisé, la capacité résiduelle de l'accu est inférieure à 50 %. Si un produit raccordé ne peut plus être utilisé, l'accu est arrivé à la fin de sa durée de vie et doit être remplacé. Merci de s'adresser au S.A.V Hilti.

4 Caractéristiques techniques

4.1 Propriétés du produit

	SC 6WP-22
Génération de produit	01
Poids	3,3 kg (selon EPTA-Procédure 01 sans accu)
Poids (butée parallèle)	0,45 kg
Dimensions (L × l × H)	360 mm × 200 mm × 237 mm
Épaisseur du disque de lame	1 mm ... 1,5 mm
Profondeur de coupe maximale	57 mm
Vitesse nominale à vide	6.000 tr/min
Tension de référence	21,6 V

4.2 Types de lame de scie et applications

Type de lame de scie	Conseil d'utilisation
Lame de scie universelle	Bois et matériaux à base de bois
Lame de scie pour coupe fine	
Lame de scie pour fibrociment	Fibrociment ou matériaux à base de fibrociment

4.3 Température de stockage et de service

Température de stockage	-20 °C ... 70 °C
Température de service en cours de service	-17 °C ... 60 °C

4.4 Batterie

Tension nominale de l'accu	21,6 V
Poids de l'accu	Voir à la fin de ce mode d'emploi
Température de service en cours de service	-17 °C ... 60 °C
Température de stockage	-20 °C ... 40 °C
Température de l'accu au début de la charge	-10 °C ... 45 °C

4.5 Valeurs d'émissions acoustiques et de vibrations

Les valeurs de pression acoustique et de vibrations mentionnées dans ces instructions ont été mesurées conformément à un procédé de mesure normalisé et peuvent être utilisées comme base de comparaison entre outils électroportatifs. Elles servent également à une évaluation préalable de l'exposition aux bruits et aux vibrations.

Les indications fournies correspondent aux principales applications de l'outil électroportatif. Ces données peuvent néanmoins différer si l'outil électroportatif est utilisé pour d'autres applications, avec des outils amovibles différents ou que l'entretien s'avère insuffisant. Ceci peut augmenter considérablement les contraintes d'exposition dans tout l'espace de travail.



Pour une évaluation précise des expositions, il convient également de prendre en compte les temps durant lesquels l'outil électroportatif est arrêté ou marche à vide. Cela peut réduire considérablement les contraintes d'exposition dans tout l'espace de travail.

Par ailleurs, il convient de prendre des mesures de sécurité supplémentaires en vue de protéger l'utilisateur des effets du bruit/ des vibrations, telles que : bien entretenir l'outil électroportatif ainsi que les outils amovibles, maintenir les mains chaudes, optimiser l'organisation des opérations.



De plus amples informations sur les versions des normes **EN 62841** appliquées ici sont fournies sur la copie de la déclaration de conformité 312.

Valeurs d'émissions acoustiques

Niveau de puissance acoustique (L_{WA})	106 dB(A)
Incertitude sur le niveau de puissance acoustique (K_{WA})	3 dB(A)
Niveau de puissance acoustique (L_{pA})	98 dB(A)
Incertitude sur le niveau de pression acoustique (K_{pA})	3 dB(A)

Valeurs totales des vibrations

Sciage d'un panneau aggloméré ($a_{h,w}$)	B 22-55	0,9 m/s ²
Sciage d'une tôle d'aluminium ($a_{h,m}$)	B 22-55	1,7 m/s ²
Incertitude (K)		1,5 m/s ²

5 Préparatifs



AVERTISSEMENT

Risque de blessures du fait d'une mise en marche inopinée !

- ▶ Avant d'insérer l'accu, s'assurer que le produit correspondant est bien sur arrêt.
- ▶ Retirer le bloc-accu, avant d'effectuer des réglages sur l'appareil ou de changer les accessoires.

Bien respecter les consignes de sécurité et les avertissements de la présente documentation ainsi que celles figurant sur le produit.

5.1 Recharge de l'accu

1. Avant de commencer la charge, lire le mode d'emploi du chargeur.
2. Veiller à ce que les contacts de l'accu et du chargeur sont propres et secs.
3. Charger l'accu à l'aide d'un chargeur homologué. 25

5.2 Introduction de l'accu



AVERTISSEMENT

Risque de blessures du fait d'un court-circuit ou de la chute de l'accu !

- ▶ Avant d'insérer l'accu dans l'appareil, s'assurer que les contacts de l'accu et les contacts sur le produit sont exempts de corps étrangers.
- ▶ S'assurer que l'accu s'encliquette toujours correctement.

1. L'accu doit être entièrement chargé avant la première mise en service.
2. Introduire l'accu dans le produit jusqu'à ce qu'il s'enclenche de manière audible.
3. Vérifier que l'accu est bien en place.

5.3 Retrait de l'accu

1. Appuyer sur la touche de déverrouillage de l'accu.
2. Retirer l'accu hors du produit.



5.4 Sécurité anti-chute 2

AVERTISSEMENT

Risque de blessures en cas de chute de l'outil et/ou des accessoires !

- ▶ Utiliser uniquement la longe porte-outil **Hilti** recommandée pour votre produit.
- ▶ Contrôler l'état du point de fixation de la longe porte-outil avant chaque utilisation.



Respecter les directives nationales en vigueur pour les travaux en hauteur.

Comme protection anti-chute pour ce produit, utiliser exclusivement la longe porte-outil **Hilti** #2261971.

- ▶ Fixer la longe porte-outil au produit avec la boucle, comme illustré. Vérifier qu'elle tient bien.
- ▶ Fixer le mousqueton à une structure porteuse. Vérifier que le mousqueton tient bien.



Respecter le mode d'emploi de la longe porte-outil **Hilti**.

5.5 Mettre l'unité plongeante en position de montage 3



L'unité plongeante dispose d'une position de montage dans laquelle la vis de serrage est accessible via la fenêtre de montage. Le levier à cran permet de régler la position de montage.

Un rabattement du levier à crans (position de base) entraîne un recul rapide de l'unité plongeante. Tenir le produit par la poignée principale pour ramener l'unité plongeante à sa position initiale de manière contrôlée.

1. Positionner le produit de manière à pouvoir plonger avec une profondeur de coupe maximale (par exemple sur le bord d'une table).
2. Ouvrir la trappe de montage pour le montage de la lame de scie.
3. Régler l'indicateur de réglage de la profondeur de coupe sur la valeur maximale **(1)**.
4. Rabattre le levier à cran vers le haut (position de montage) **(2)**.
5. Appuyer sur le dispositif de blocage **(3)** et le maintenir tout en plongeant l'unité plongeante dans la position de montage.
 - ▶ L'unité plongeante s'enclenche dans la position de montage de manière audible.
 - ▶ La vis de serrage est visible au centre de la fenêtre de montage.

5.6 Démontage de la lame de scie 4

AVERTISSEMENT

Risque de brûlure, de coupure au niveau de la lame de scie, de la vis de serrage et du flasque de serrage Des brûlures ou des blessures par coupure peuvent s'ensuivre.

- ▶ Utiliser des gants de protection pour changer d'outil.

1. Amener l'unité plongeante dans la position de montage. 29
2. Appuyer sur le blocage de la broche **(1)** et le maintenir enfoncé.
3. Desserrer la vis de serrage **(2)** à l'aide de la clé pour vis à six pans creux.



Observer la flèche indiquant le sens de rotation : la vis de serrage est desserrée dans le sens de rotation de la lame de scie.

4. Retirer la vis de serrage et le flasque de serrage.
5. Retirer la lame de scie du capot de protection vers le bas.



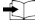
Si nécessaire, le flasque support peut être enlevé à des fins de nettoyage.

5.7 Montage de la lame de scie 5, 6

S'assurer que la lame de scie à monter correspond aux exigences techniques et est bien aiguisée. Une lame de scie aiguisée est une condition préalable à une coupe parfaite.



Avant chaque utilisation, toujours choisir la lame de scie adaptée au matériau à découper.

1. Amener l'unité plongeante dans la position de montage.  29
2. Nettoyer le flasque support et le flasque de serrage (1).
3. Monter le flasque support sur la broche d'entraînement avec la bonne orientation.
4. Insérer la nouvelle lame de scie (2).
 - ▶ Observer la flèche de sens de rotation sur la lame de scie (3) et sur le capot de protection (4). Les deux flèches de sens de rotation doivent être orientées dans le même sens.
5. Monter le flasque de serrage selon l'orientation appropriée.
6. Visser la vis de serrage.
7. Appuyer sur le blocage de la broche (5) et le maintenir enfoncé.
8. Serrer la vis de serrage (6) à l'aide de la clé pour vis à six pans creux.



Observer la flèche indiquant le sens de rotation : la vis de serrage est serrée dans le sens inverse du sens de rotation de la lame de scie.

9. Contrôler le positionnement correct de la lame de scie.
10. Tenir le produit au niveau de la poignée principale.
11. Placer le levier de blocage en position de base et rebasculer l'unité plongeante en position de base (7).
12. Fermer la trappe de montage pour le montage de la lame de scie.

5.8 Fenêtre anti-poussière coulissante

Pour une aspiration optimale des copeaux, toujours glisser la fenêtre anti-poussière le plus près possible de la pièce à travailler.

5.9 Réglage de la profondeur de coupe



La profondeur de coupe réglée devrait toujours être choisie environ 5 à 10 mm plus grande que l'épaisseur du matériau à scier.

1. Appuyer sur le déverrouillage du réglage de la profondeur de coupe et le maintenir enfoncé (1).
2. Faire glisser le coulisseau sur la profondeur de coupe requise (2).
 - ▶ L'indicateur de profondeur de coupe dispose d'un affichage séparé pour les coupes avec rail de guidage (3) et les coupes sans rail de guidage (4).
3. Relâcher le déverrouillage du réglage de la profondeur de coupe.

5.10 Régler l'angle de coupe pour les coupes en onglet



Éviter les réglages d'angle différents à l'avant et à l'arrière en n'exerçant pas de pression sur la poignée supplémentaire ou sur la scie lors du serrage. Des réglages d'angle différents peuvent empêcher la coupe d'être droite.

1. Desserrer les 2 vis de serrage du réglage de l'angle de coupe (1).
2. Orienter le produit dans l'angle de coupe souhaité.
 - ▶ Pour régler des angles de -1° ou supérieurs à 45° (jusqu'à 47° maximum), appuyer sur le bouton de déverrouillage et le maintenir enfoncé (2).
3. Serrer l'une des deux vis de serrage du réglage de l'angle de coupe.
4. Serrer la vis de serrage opposée du réglage de l'angle de coupe.

5.11 Réglage de la vitesse de rotation de la lame

Toujours utiliser une vitesse de rotation adaptée à la lame de scie utilisée et au matériau usiné. Une vitesse de rotation adaptée permet d'éviter une surchauffe des dents de scie et d'augmenter la durée de vie des lames de scie.

- ▶ Tourner la molette de sélection de la vitesse de rotation dans la position correspondante.



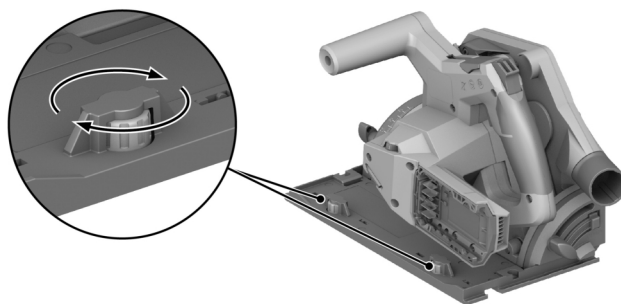
5.12 Montage de la butée parallèle

Selon le montage sur le produit, la butée parallèle peut remplir l'une ou l'autre des deux fonctions :

- Bord en forme de L dirigé vers le bas :
Butée parallèle pour des coupes constantes le long d'un bord.
- Bord en forme de L dirigé vers le haut :
Extension de la semelle pour un guidage plus stable lors de coupes sans rail de guidage.

1. Desserrer les deux vis de serrage.
2. Pousser la butée parallèle dans les supports de montage de la semelle.
3. Régler la butée parallèle sur la distance requise pour la coupe.
 - ▶ Veiller à ce que les distances soient identiques des deux côtés.
4. Serrer les deux vis de serrage à fond.

5.13 Placer le produit sur le rail de guidage



1. Placer le produit avec la rainure dans la semelle sur la nervure de guidage.
2. Contrôler le jeu entre le rail de guidage et la semelle.
3. Régler le jeu via les vis excentriques (1) :
 - ▶ Pour réduire le jeu, tourner les vis excentriques dans le sens des aiguilles d'une montre.
 - ▶ Pour augmenter le jeu, tourner les vis excentriques dans le sens inverse des aiguilles d'une montre.
4. Régler le jeu le plus petit possible sans que le mouvement de glissement ne soit affecté.

6 Utilisation

Bien respecter les consignes de sécurité et les avertissements de la présente documentation ainsi que celles figurant sur le produit.

6.1 Mettre en marche ou arrêter

Mise en marche

1. Pousser sur le dispositif de blocage vers le haut et le maintenir.
2. Appuyer sur l'interrupteur Marche/Arrêt et le maintenir actionné.
3. Relâcher le dispositif de blocage.

Le dispositif de blocage reste en position déverrouillée tant que l'interrupteur Marche/Arrêt est maintenu enfoncé ou que l'unité plongeante se trouve dans une position de plongée. Le dispositif de blocage revient automatiquement en position verrouillée lorsque l'unité plongeante se trouve en position de base et que l'interrupteur Marche/Arrêt est relâché.


Arrêt

4. Ramener l'unité plongeante dans la position de base.
5. Relâcher l'interrupteur Marche / Arrêt.






6.2 Gestion de la poussière et des copeaux


- Scies avec **dispositif d'aspiration de poussières** :
Raccorder le flexible d'aspiration à la tubulure d'aspiration et respecter les consignes figurant dans le mode d'emploi du dispositif d'aspiration de poussières.
- Scies avec **sac à poussières** :
Insérer le sac à poussières avec l'adaptateur dans la tubulure d'aspiration pour dispositif d'aspiration de poussières.

 Vous pouvez également utiliser le produit sans méthode de récupération des poussières. S'assurer que la poussière de sciage et les copeaux peuvent être éjectés librement.

6.3 Sciage suivant l'indicateur de coupe




 Ne scier que des pièces planes offrant une surface de pose suffisamment grande pour la semelle.

1. Sécuriser la pièce à travailler pour éviter qu'elle ne se décale et marquer le tracé de la coupe (tracé).
2. Régler la profondeur de coupe.  30
3. Placer le produit avec l'indicateur de coupe adaptatif sur le tracé.
4. Mettre le produit en marche.  31
 - ▶ Le mouvement d'immersion du produit n'est possible que lorsque l'interrupteur marche/arrêt est déverrouillé.
5. Immerger l'unité plongeante jusqu'en butée dans la pièce à travailler **(1)**.
6. Guider le produit à une cadence de travail appropriée à travers la pièce à travailler.
7. Rebasculer l'unité plongeante en position de base pendant que la lame de scie tourne **(2)**.


 Cela évite que la lame de scie ne se coince dans la pièce.



8. Arrêter le produit dès que l'unité plongeante se trouve en position de base.  31

6.4 Réaliser une coupe plongeante

1. Régler la profondeur de coupe.  30
2. Présenter le produit sur la pièce à travailler.
3. Mettre le produit en marche.  31
 - ▶ Le mouvement d'immersion du produit n'est possible que lorsque l'interrupteur marche/arrêt est déverrouillé.
4. Immerger le produit dans la pièce jusqu'à la butée.
5. Guider le produit à une cadence de travail appropriée à travers la pièce à travailler.
6. Faire pivoter le produit hors de la pièce à travailler.
7. Arrêter le produit dès que l'unité plongeante se trouve en position de base.  31

6.5 Exécuter des coupes en onglet (coupe d'angle)

 Le produit dispose d'un indicateur de coupe adaptatif qui s'adapte automatiquement à l'angle de coupe réglé. L'indicateur de coupe adaptatif ne s'applique qu'aux coupes sans rail de guidage. Pour les coupes avec rail de guidage, la ligne de coupe est, de par sa construction, indépendante de l'angle de coupe réglé.

1. Régler l'angle de coupe pour les coupes en onglet.  30
2. Placer le produit avec l'indicateur de coupe adaptatif sur le tracé.
3. Mettre le produit en marche.  31
4. Introduire l'unité plongeante dans la pièce à travailler.
5. Guider le produit le long du rail de guidage à travers la pièce à travailler.



6.6 Coupes avec rail de guidage 10

1. Fixer le rail de guidage avec 2 serre-joints.
2. Placer la semelle avec la rainure sur la nervure de guidage du rail de guidage.
3. Régler l'angle de coupe pour les coupes en onglet. 30
4. Régler la profondeur de coupe. 30
5. Mettre le produit en marche. 31
6. Introduire l'unité plongeante dans la pièce à travailler.
7. Guider le produit le long du rail de guidage à travers la pièce à travailler.

7 Nettoyage et entretien



AVERTISSEMENT

Risque de blessures lorsque l'accu est inséré !

- ▶ Toujours retirer l'accu avant tous travaux de nettoyage et d'entretien !

Entretien du produit

- Éliminer avec précaution les saletés récalcitrantes.
- Le cas échéant, nettoyer soigneusement les ouïes d'aération à l'aide d'une brosse sèche et douce.
- Nettoyer le carter de l'appareil uniquement avec un chiffon légèrement humide. Ne pas utiliser de nettoyeurs à base de silicone car ceci pourrait attaquer les pièces en plastique.
- Utiliser un chiffon propre et sec pour nettoyer les contacts du produit.

Entretien des accus Li-ion

- Ne jamais utiliser un accu dont les ouïes d'aération sont bouchées. Nettoyer soigneusement les ouïes d'aération à l'aide d'une brosse sèche et douce.
- Éviter d'exposer inutilement l'accu à la poussière ou à la saleté. Ne jamais exposer l'accu à une forte humidité (par exemple en l'immergeant dans de l'eau ou en le laissant sous la pluie).
Si l'accu a été trempé, le traiter comme un accu endommagé. L'isoler dans un récipient ininflammable et s'adresser au S.A.V. **Hilti**.

- Veiller à ce que l'accu soit toujours exempt de traces de graisse et d'huile étrangères. Ne pas laisser de la poussière ou de la saleté s'accumuler inutilement sur l'accu. Nettoyer l'accu avec une brosse sèche et douce ou un chiffon propre et sec. Ne pas utiliser de nettoyeurs à base de silicone car ceci pourrait attaquer les pièces en plastique.

Ne pas toucher les contacts de l'accu et ne pas enlever la graisse appliquée en usine sur les contacts.

- Nettoyer le carter de l'appareil uniquement avec un chiffon légèrement humide. Ne pas utiliser de nettoyeurs à base de silicone car ceci pourrait attaquer les pièces en plastique.

Entretien

- Vérifier régulièrement qu'aucune pièce visible n'est endommagée et que les organes de commande sont parfaitement opérationnels.
- Ne pas utiliser le produit en cas d'endommagements et/ou de dysfonctionnements. Faire immédiatement réparer le produit par le S.A.V. **Hilti**.
- Après des travaux de nettoyage et d'entretien, vérifier si tous les équipements de protection sont bien en place et fonctionnent parfaitement.



Pour une utilisation en toute sécurité, utiliser uniquement des pièces de rechange et consommables d'origine. Vous trouverez les pièces de rechange, consommables et accessoires autorisés par **Hilti** convenant pour votre produit dans le centre **Hilti Store** ou sous : www.hilti.group

7.1 Nettoyage de l'équipement de protection

1. Nettoyer les équipements de protection avec précaution au moyen d'une brosse sèche.
2. Éliminer les dépôts et copeaux restés à l'intérieur des équipements de protection avec un ustensile approprié.

7.2 Nettoyer le canal à copeaux

1. Si un dispositif d'aspiration de poussières est monté sur le manchon de raccordement, retirer le flexible d'aspiration du manchon de raccordement.
2. Nettoyer le canal à copeaux avec une brosse.



8 Transport et stockage des outils sur accu et des accus

Transport

ATTENTION

Mise en marche inopinée lors du transport !

- ▶ Toujours retirer les accus avant de transporter les produits !
- ▶ Retirer le ou les accus.
- ▶ Ne jamais transporter les accus en vrac. Pendant le transport, les accus doivent être protégés des vibrations et chocs excessifs, isolés de tout matériau conducteur ou autre accu, pour éviter qu'ils n'entrent en contact avec d'autres pôles de batterie et qu'ils provoquent un court-circuit. **Tenir compte des prescriptions locales pour le transport d'accus.**
- ▶ Ne pas envoyer les accus par la poste. S'adresser à un service d'expédition s'il faut envoyer des accus non endommagés.
- ▶ Contrôler l'état du produit et des accus avant chaque utilisation, ainsi qu'avant et après tout transport prolongé.

Stockage

AVERTISSEMENT

Endommagement involontaire du fait d'accus défectueux ou de chute d'accu !

- ▶ Toujours retirer les accus avant de stocker les produits !
- ▶ Stocker si possible le produit et les accus dans un endroit sec et frais. Respecter les valeurs limites de température indiquées dans les caractéristiques techniques.
- ▶ Ne pas stocker les accus sur le chargeur. Retirer toujours l'accu du chargeur après la charge.
- ▶ Ne jamais stocker les accus exposés au soleil, sur des sources de chaleur ou derrière des vitres.
- ▶ Stocker le produit et les accus à l'abri des enfants et des personnes non autorisées.
- ▶ Contrôler l'état du produit et des accus avant chaque utilisation, ainsi qu'avant et après tout stockage prolongé.

9 Aide au dépannage

En cas de dysfonctionnements, tenir compte de l'indicateur d'état de l'accu. Voir le chapitre **Affichages de l'accu Li-Ion**.



En cas de défaillances non énumérées dans ce tableau ou auxquelles il n'est pas possible de remédier sans aide, contacter le S.A.V. **Hilti**.

Défaillance	Causes possibles	Solution
Impossible d'enfoncer l'interrupteur Marche / Arrêt ou l'interrupteur est bloqué.	Pas de défaillance (fonction de sécurité).	▶ Activer le blocage anti-démarrage.
La vitesse de rotation chute brusquement.	Décharger l'accu.	▶ Charger l'accu.
	Force d'avance trop élevée.	▶ Réduire la force d'avance et remettre le produit en marche.
Puissance d'aspiration réduite ou nulle	Canal à copeaux bouché.	▶ Nettoyer le canal à copeaux. 33
Après blocage de la lame de scie, le produit ne se met pas automatiquement à tourner.	La protection électronique contre les surcharges réagit.	▶ Appuyer une nouvelle fois sur le dispositif de blocage et l'interrupteur Marche / Arrêt.
L'accu ne s'encliquette pas avec un clic audible.	Ergot d'encliquetage encrassé sur l'accu.	▶ Nettoyer l'ergot d'encliquetage et réinsérer l'accu.
Le produit vibre plus fort qu'habituellement.	La lame de scie est mal montée.	▶ Démontez la lame de scie et la remonter.
Les DEL de l'accu n'indiquent rien	L'accu est défectueux	▶ S'adresser au S.A.V. Hilti .



10 Recyclage



AVERTISSEMENT

Risque de blessures en cas d'élimination incorrecte ! Émanations possibles de gaz et de liquides nocives pour la santé.

- ▶ Ne pas envoyer ni expédier d'accus endommagés !
- ▶ Recouvrir les raccordements avec un matériau non conducteur pour éviter tout court-circuit.
- ▶ Éliminer les accus en veillant à ce qu'ils soient hors de la portée des enfants.
- ▶ Éliminer l'accu en le déposant auprès du **Hilti Store** local ou s'adresser à l'entreprise de collecte des déchets compétente.



Les produits **Hilti** sont fabriqués pour une grande partie en matériaux recyclables. Le recyclage pré suppose un tri adéquat des matériaux. **Hilti** reprend les appareils usagés dans de nombreux pays en vue de leur recyclage. Consulter le service clients **Hilti** ou un conseiller commercial.



- ▶ Ne pas jeter les appareils électriques, électroniques et accus dans les ordures ménagères !

11 Garantie constructeur

- ▶ En cas de questions sur les conditions de garantie, veuillez vous adresser à votre partenaire **Hilti** local.

12 Informations complémentaires

Des informations complémentaires concernant l'utilisation, la technique, l'environnement et le recyclage sont disponibles sous le lien ci-dessous : qr.hilti.com/manual?id=2276609&id=2276671

Ce lien figure également à la fin de la documentation sous forme de code QR.

Original brugsanvisning

1 Om brugsanvisningen

1.1 Om denne brugsanvisning

- **Advarsel!** Før du bruger produktet, skal du sikre dig, at du har læst og forstået produktets medfølgende brugsanvisning inklusive anvisninger, sikkerhedsanvisninger og advarsler, billeder og specifikationer. Sørg især for at blive fortrolig med alle anvisninger, sikkerhedsanvisninger og advarsler, billeder, specifikationer samt bestanddele og funktioner. Hvis du ikke gør det, er der risiko for at få elektrisk stød, brandfare og/eller risiko for alvorlige personskader. Gem brugsanvisningen inklusive alle anvisninger, sikkerhedsanvisninger og advarsler til senere brug.
- **HILTI**-produkter er beregnet til professionel brug og må kun betjenes, efterses og vedligeholdes af autoriseret og instrueret personale. Dette personale skal i særdeleshed informeres om de potentielle farer, der er forbundet med anvendelsen af denne boltepistol. Der kan opstå farlige situationer ved anvendelse af produktet og det tilhørende udstyr, hvis det anvendes af personer, der ikke er blevet undervist i dets brug, eller hvis det ikke anvendes korrekt i henhold til forskrifterne i denne brugsanvisning.
- Den medfølgende brugsanvisning svarer til den aktuelle tekniske standard på tidspunktet for trykningen. Du kan altid finde den aktuelle version online på Hiltis produktside. Følg linket eller QR-koden i denne brugsanvisning, der er markeret med symbolet
- Sørg for, at denne brugsanvisning altid følger med ved overdragelse af produktet til andre.

1.2 Tegnforklaring

1.2.1 Advarsler

Advarsler advarer mod farer ved håndtering af produktet. Følgende signalord anvendes:



FARE

FARE !

- ▶ Betegner en umiddelbart truende fare, der kan medføre alvorlige kvæstelser eller døden.



⚠ ADVARSEL

ADVARSEL !

- ▶ Står ved en potentielt truende fare, der kan medføre alvorlige kvæstelser eller døden.

⚠ FORSIGTIG

FORSIGTIG !

- ▶ Advarer om en potentielt farlig situation, der kan forårsage personskader eller materielle skader.

1.2.2 Symboler i brugsanvisningen

Der benyttes følgende symboler i denne brugsanvisning:

	Se brugsanvisningen
	Anvisninger for anvendelse og andre nyttige oplysninger
	Håndtering af genvindbare materialer
	Elektriske maskiner og batterier må ikke bortskaffes som almindeligt husholdningsaffald
	Hilti Lithium-ion-batteri
	Hilti Lader

1.2.3 Symboler i illustrationer

Følgende symboler anvendes på illustrationer:

2	Disse tal henviser til den pågældende illustration i begyndelsen af denne brugsanvisning.
3	Nummereringen udtrykker arbejdsstrinnenes rækkefølge på illustrationen og kan afvige fra arbejds-trinnene i teksten.
11	Positionsnumre anvendes i illustrationen Oversigt og refererer til tallene i symbolforklaringen i afsnittet Produktoversigt .
	Dette symbol skal sikre skærpet opmærksomhed ved omgang med produktet.

1.3 Produktspecifikke symboler

1.3.1 Generelle symboler

Symboler, som anvendes i forbindelse med produktet.

n_0	Nominelt omdrejningstal, ubelastet
	Jævnstrøm
	Rotationsretningspil
RPM	Omdrejning pr. minut
\emptyset	Diameter
	Savklinge
	Produktet understøtter trådløs dataoverførsel, som er kompatibel med iOS- og Android-platforme.
	Hvis en sådan findes på produktet, er produktet certificeret til det amerikanske og canadiske marked iht. gældende standarder af dette certificeringsorgan.
Li-Ion	Lithium-ion-batteri



	Brug aldrig batteriet som slagværktøj.
	Lad ikke batteriet falde på gulvet. Brug ikke et batteri, der har fået et slag eller på anden vis er beskadiget.

1.3.2 Påbudssymboler

Følgende påbudssymboler anvendes på produktet:

	Benyt beskyttelsesbriller
--	---------------------------

2 Sikkerhed

2.1 Generelle sikkerhedsanvisninger for elværktøj

⚠ ADVARSEL Læs alle sikkerhedsanvisninger, henvisninger, billedtekster og tekniske data på elværktøjet. Hvis følgende anvisninger ikke overholdes, er der risiko for elektrisk stød, brand og/eller alvorlige personskader.

Opbevar alle sikkerhedsanvisninger og instruktioner til senere brug.

Det benyttede begreb "elværktøj" i sikkerhedsanvisningerne refererer til elektriske maskiner (med netledning) eller batteridrevne maskiner (uden netledning).

Arbejdspladssikkerhed

- ▶ **Sørg for at holde arbejdsområdet ryddeligt og godt oplyst.** Uorden eller uoplyste arbejdsområder øger faren for uheld.
- ▶ **Brug ikke elværktøj i eksplosionstruede omgivelser, hvor der er brændbare væsker, gasser eller støv.** Elværktøj kan slå gnister, der kan antænde støv eller dampe.
- ▶ **Sørg for, at andre personer og ikke mindst børn holdes væk fra arbejdsområdet, når elværktøjet er i brug.** Hvis man distraheres, kan man miste kontrollen over maskinen.

Elektrisk sikkerhed

- ▶ **Elværktøjets stik skal passe til kontakten. Stikket må under ingen omstændigheder ændres. Brug ikke adapterstik sammen med jordforbundne elværktøj.** Uændrede stik, der passer til kontakterne, nedsætter risikoen for elektrisk stød.
- ▶ **Undgå kropskontakt med jordforbundne overflader som f.eks. rør, radiatorer, komfurer og køleskabe.** Hvis din krop er jordforbundet, øges risikoen for elektrisk stød.
- ▶ **Elværktøj må ikke udsættes for regn eller fugt.** Indtrængning af vand i elværktøj øger risikoen for elektrisk stød.
- ▶ **Brug ikke ledningen til formål, den ikke er beregnet til (f.eks. må man aldrig bære elværktøjet i ledningen, hænge det op i ledningen eller rykke i ledningen for at trække stikket ud af kontakten). Beskyt ledningen mod varme, olie, skarpe kanter eller dele, der er i bevægelse.** Beskadigede eller sammenviklede ledninger øger risikoen for elektrisk stød.
- ▶ **Hvis elværktøjet benyttes i det fri, må der kun benyttes en forlængerledning, der er egnet til udendørs brug.** Brug af forlængerledning til udendørs brug nedsætter risikoen for elektrisk stød.
- ▶ **Hvis det ikke kan undgås at anvende elværktøjet i fugtige omgivelser, skal du anvende et fejlstrømsrelæ.** Anvendelsen af et fejlstrømsrelæ nedsætter risikoen for et elektrisk stød.

Personlig sikkerhed

- ▶ **Det er vigtigt at være opmærksom, se, hvad man laver, og bruge maskinen fornuftigt. Anvend aldrig elværktøj, hvis du er træt eller påvirket af stoffer, alkohol eller medicin.** Et øjeblik uopmærksomhed under brugen af elværktøjet kan medføre alvorlige personskader.
- ▶ **Brug beskyttelsesudstyr, og hav altid beskyttelsesbriller på.** Brug af sikkerhedsudstyr som f.eks. støvmaske, skridsikket fodtøj, beskyttelseshjelm eller høreværn afhængigt af elværktøjets type og anvendelse nedsætter risikoen for personskader.
- ▶ **Undgå utilsigtet igangsætning. Kontrollér, at elværktøjet er frakoblet, før du slutter det til strømforsyningen og/eller batteriet, tager det op eller transporterer det.** Undgå at bære elværktøjet med fingeren på afbryderen, og sørg for, at det ikke er tændt, når det slutes til nettet, da dette øger risikoen for personskader.
- ▶ **Fjern indstillingsværktøj eller skruenøgler, inden elværktøjet tændes.** Hvis et stykke værktøj eller en nøgle sidder i en roterende maskindel, er der risiko for personskader.



- ▶ **Undgå at arbejde i unormale kroppsstillinger. Sørg for at stå sikkert, mens der arbejdes, og kom ikke ud af balance.** Det er derved nemmere at kontrollere elværktøjet, hvis der skulle opstå uventede situationer.
- ▶ **Brug egnet arbejdstøj. Undgå løse beklædningsgenstande eller smykker. Hold hår, tøj og handsker væk fra dele, der bevæger sig.** Dele, der er i bevægelse, kan gribe fat i løstsiddende tøj, smykker eller langt hår.
- ▶ **Hvis støvudsugnings- og opsamlingsudstyr kan monteres, er det vigtigt, at dette tilsluttes og benyttes korrekt.** Ved at anvende en støvudsugning er det muligt at nedsætte risiciene som følge af støv.
- ▶ **Man må ikke ignorere sikkerhedsreglerne for elværktøj, heller ikke selvom man er fortrolig med brugen af elværktøjet.** Uagtsomhed kan medføre alvorlig tilskadekomst inden for få sekunder.

Anvendelse og pleje af elværktøjet

- ▶ **Undgå at overbelaste maskinen. Brug altid en maskine, der er beregnet til det stykke arbejde, der skal udføres.** Med det rigtige værktøj arbejder man bedst og mest sikkert inden for det angivne effektområde.
- ▶ **Brug ikke elværktøj, hvis afbryderen er defekt.** En maskine, der ikke kan startes og stoppes, er farlig og skal repareres.
- ▶ **Træk stikket ud af stikkontakten, og/eller fjern batteriet fra maskinen, inden du foretager indstillinger på den, skifter tilbehør og dele eller lægger den til side.** Disse sikkerhedsforanstaltninger forhindrer utilsigtet start af elværktøjet.
- ▶ **Opbevar ubenyttede elværktøjer uden for børns rækkevidde. Lad aldrig personer, der ikke er fortrolige med maskinen eller ikke har gennemlæst sikkerhedsanvisningerne, benytte denne.** Elværktøj er farligt, hvis det benyttes af ukyndige personer.
- ▶ **Sørg for at pleje elværktøj omhyggeligt. Kontrollér, om bevægelige dele fungerer korrekt og ikke sidder fast, og om delene er brækket eller beskadiget, således at elværktøjets funktion påvirkes. Få beskadigede dele repareret, inden elværktøjet tages i brug.** Mange uheld skyldes dårligt vedligeholdte elværktøjer.
- ▶ **Sørg for, at skæreværktøjer er skarpe og rene.** Omhyggeligt vedligeholdte skæreværktøjer med skarpe skærekanten sætter sig ikke så hurtigt fast og er nemmere at føre.
- ▶ **Anvend elværktøj, tilbehør, indsatsværktøj osv. i overensstemmelse med disse anvisninger. Tag hensyn til arbejdsforholdene og det arbejde, der skal udføres.** I tilfælde af anvendelse af maskinen til formål, som ligger uden for det fastsatte anvendelsesområde, kan der opstå farlige situationer.
- ▶ **Sørg for, at greb og gribeplader er tørre, rene og fri for olie og fedt.** Glatte greb og gribeplader gør betjeningen usikker, og det kan være svært at styre elværktøjet i uforudsete situationer.

Anvendelse og pleje af batteridrevet elværktøj

- ▶ **Oplad kun batterier i ladere, der er anbefalet af fabrikanten.** Der er risiko for brand, hvis en lader, der er beregnet til et bestemt batteri, anvendes til opladning af en anden batteritype.
- ▶ **Brug kun de batterier, der er beregnet til elværktøjet.** Brug af andre batterier øger risikoen for personskader og er forbundet med brandfare.
- ▶ **Ikke benyttede batterier må ikke komme i berøring med kontorclips, mønter, nøgler, søm, skruer eller andre små metalgenstande, da disse kan kortslutte kontakterne.** En kortslutning mellem batterikontakterne øger risikoen for personskader i form af forbrændinger.
- ▶ **Hvis batteriet anvendes forkert, kan der løbe væske ud af batteriet. Undgå at komme i kontakt med denne væske. Hvis det alligevel skulle ske, skylles med vand. Søg læge, hvis væsken kommer i øjnene.** Batterivæske kan give hudirritation eller forbrændinger.
- ▶ **Brug aldrig et beskadiget eller ændret batteri.** Beskadigede eller ændrede batterier kan virke utilsigtet og medføre brand, eksplosion eller risiko for tilskadekomst.
- ▶ **Batterier må ikke udsættes for åben ild eller høje temperaturer.** Ild eller temperaturer over 130 °C (265 °F) kan medføre eksplosion.
- ▶ **Følg alle anvisninger vedrørende opladning, og oplad aldrig batteriet eller det batteridrevne værktøj uden for det temperaturområde, der er anført i betjeningsvejledningen.** Forkert opladning eller opladning uden for det tilladte temperaturområde kan ødelægge batteriet og øge risikoen for brand.

Service

- ▶ **Sørg for, at elværktøjet kun repareres af kvalificerede fagfolk, og at der altid benyttes originale reservedele.** Dermed sikres størst mulig elværktøjssikkerhed.
- ▶ **Forsøg aldrig at reparere beskadigede batterier.** Al vedligeholdelse af batterier skal foretages af producenten eller af autoriserede forhandlere.



2.2 Sikkerhedsanvisninger for alle save

Savemetode

- ▶ **⚠ FARE! Hold hænderne væk fra saveområdet og savklingen. Hold fast på ekstragrebet eller motorhuset med den anden hånd.** Hvis du bruger begge hænder til at holde sagen, kommer du ikke til skade med hænderne på savklingen.
- ▶ **Tag ikke fat under emnet.** Beskyttelsesafsikreringen yder dig ikke beskyttelse mod savklingen under emnet.
- ▶ **Tilpas skæredybden til emnets tykkelse.** Der må højst kunne ses en fuld tandhøjde under emnet.
- ▶ **Hold aldrig emnet i hånden eller over et ben. Fastgør emnet på en stabil holder.** Det er vigtigt, at emnet fastgøres ordentligt for at minimere faren for kropskontakt, klemning af savklingen eller tab af kontrol over sagen.
- ▶ **Hold kun elværktøjet på de isolerede grebsflader, når du udfører opgaver, hvor indsatsværktøjet kan ramme skjulte elledninger eller maskinens eget netkabel.** Ved kontakt med en spændingsførende ledning sættes også elværktøjets metaldele under spænding, hvilket kan medføre elektrisk stød.
- ▶ **Ved savning på langs skal du altid anvende et anslag eller et lige kantstyr.** Dette forbedrer savensjagtigheden og nedsætter muligheden for klemning af savklingen.
- ▶ **Anvend altid savklinger i den rigtige størrelse og med passende savklingeboring, f.eks. stjerneformet eller rund.** Savklinger, som ikke passer til savens monteringsdele, kører ujævnt og medfører, at du taber kontrollen over sagen.
- ▶ **Anvend aldrig beskadigede eller forkerte savklingeunderlagsskiver eller -skruer.** Savklingeunderlagsskiverne og -skruerne er konstrueret specielt til sagen med henblik på en optimal ydelse og driftssikkerhed.

Tilbageslag - årsager og tilsvarende sikkerhedsanvisninger

- Et tilbageslag er en pludselig reaktion som følge af en fastsiddende, fastklemt eller forkert justeret savklinge, som medfører, at en ukontrolleret sav kravler op af savsporet og bevæger sig i retning af brugeren;
- Hvis savklingen kommer til at hænge fast eller klemmes fast i et savspor, som lukkes sammen, blokeres den, og motorkraften slår sagen tilbage i retning af brugeren;
- Hvis savklingen drejes eller vendes forkert i savsporet, kan tænderne på savklingsens bageste kant sætte sig fast i emnet, så savklingen kravler op af savsporet, og sagen springer tilbage mod brugeren.

Et tilbageslag er resultatet af ukorrekt eller fejlagtig brug af sagen. Det kan forhindres ved at træffe passende forholdsregler som beskrevet i det følgende.

- ▶ **Hold sagen fast med begge hænder, og anbring dine arme i en position, hvor du kan absorbere tilbageslagskræfterne.** Hold dig altid på siden af savklingen, anbring aldrig kroppen på linje med savklingen. I tilfælde af et tilbageslag kan rundsaven springe baglæns, men brugeren kan dog beherske tilbageslagskræfterne, hvis der træffes egnede foranstaltninger.
- ▶ **Hvis savklingen sætter sig fast, eller du afbryder arbejdet, skal du slukke sagen og holde den stille i materialet, indtil sagen står helt stille. Forsøg aldrig at tage sagen ud af emnet eller trække den baglæns, så længe savklingen bevæger sig, da der ellers er risiko for et tilbageslag.** Find og afhjælp årsagen til fastklemningen af savklingen.
- ▶ **Hvis du vil starte en sav, som befinder sig i et emne, skal du centrere savklingen i savsporet og kontrollere, at savtænderne ikke sidder fast i emnet.** Hvis savklingen er fastklemt, kan den bevæge sig ud af emnet eller medføre et tilbageslag, hvis sagen startes igen.
- ▶ **Understøt store plader for at reducere risikoen for et tilbageslag som følge af en fastklemt savklinge.** Store plader kan bøje nedad som følge af deres egen vægt. Plader skal understøttes i begge sider, både i nærheden af savsporet og i kanterne.
- ▶ **Anvend ikke sløve eller beskadigede savklinger.** Savklinger med sløve eller forkert justerede tænder medfører som følge af et for smalt savspor en højere friktion, fastklemning af savklingen og tilbageslag.
- ▶ **Spænd skæredybde- og skærevinkelindstillingerne fast før savningen.** Hvis indstillingerne ændrer sig under savningen, kan savklingen sætte sig fast og medføre tilbageslag.
- ▶ **Vær specielt forsigtig ved savning i eksisterende vægge eller andre områder, hvor du ikke kan se, hvad de indeholder.** Den neddykkende savklinge kan blokere ved savning i skjulte genstande og medføre et tilbageslag.

Beskyttelsesafsikreringens funktion

- ▶ **Kontrollér hver gang før brug, om beskyttelsesafsikreringen lukker fejlfrit. Anvend ikke sagen, hvis beskyttelsesafsikreringen ikke kan bevæges frit og lukker omgående. Man må ikke klemme eller binde beskyttelsesafsikrering fast. Derved ville savklingen være ubeskyttet.** Hvis sagen ved en fejl tabes på jorden, kan beskyttelsesafsikreringen blive bøjet. Kontroller, at



beskyttelsesafskærmningen kan bevæge sig frit og hverken berører savklinge eller andre dele uanset snitvinkel og -dybde.

- ▶ **Kontroller fjederens tilstand og funktion for beskyttelsesskærmen. Få eftersat saven før brug, hvis beskyttelsesafskærmning og fjeder ikke fungerer fejlfrit.** Beskadigede dele, klæbrige aflejringer eller ophobninger af spåner kan betyde, at beskyttelsesafskærmningen reagerer langsommere.
- ▶ **Sørg for at sikre savens føringsplade mod sideværts forskydning ved "dyksavning", hvor der ikke udføres retvinklede snit.** Sideværts forskydning kan medføre fastklemning af savklingen og dermed medføre tilbageslag.
- ▶ **Læg ikke saven på arbejdsbænken eller på gulvet, uden at beskyttelsesafskærmningen dækker savklingen.** En ubeskyttet savklinge med efterløb bevæger saven i den modsatte retning af saveretningen og saver i alt, hvad den støder på. Vær således opmærksom på savens efterløbstid.

2.3 Yderligere sikkerhedsanvisninger

Personlig sikkerhed

- ▶ Foretag aldrig manipulationer eller ændringer på elværktøjet eller tilbehør.
- ▶ Brug kun elværktøjet med de tilhørende beskyttelsesanordninger.
- ▶ Hvis du anvender elværktøjet uden støvudsugning, skal du bruge et let åndedrætsværn ved opgaver, som udvikler støv.
- ▶ Hold altid elværktøjet med begge hænder på de dertil beregnede håndtag.
- ▶ Brug høreværn. Støjpåvirkningen kan medføre høretab.
- ▶ Hold pauser under arbejdet, og lav afspændings- og fingerøvelser, så dine fingre får en bedre blodgennemstrømning.
- ▶ Elværktøjet er ikke beregnet til svagelige personer uden instruktion.
- ▶ Tænd først elværktøjet, når du befinder dig på arbejdsstedet og har bragt det i arbejdsposition.
- ▶ Fjern batteriet, hvis der opstår problemer med elværktøjet, når du skifter indsatsværktøj eller tilbehør samt ved opbevaring og transport af elværktøjet.
- ▶ Arbejd ikke med elværktøjet over hovedhøjde.
- ▶ Brems ikke elværktøjet ved at trykke mod siden af savklingen.
- ▶ Inden du isætter batteriet, skal du sikre dig, at saven er slukket, og at startspærren er gået i indgreb. På den måde undgår du at komme til skade på grund af utilsigtet start af elværktøjet.
- ▶ Berør ikke spændeflansen og spændeskruen, mens elværktøjet kører.
- ▶ Inden du lægger elværktøjet fra dig, skal savklingen være standset helt.
- ▶ Vent, indtil elværktøjet er kølet helt af, før du skifter indsatsværktøj.
- ▶ Tryk aldrig spindellåsen, mens savklingen roterer.
- ▶ Ret ikke elværktøjet mod andre personer.
- ▶ Startspærren skal altid være i indgreb, når du skifter tilbehørsdele eller batteri, under transport eller opbevaring af elværktøjet.
- ▶ Anvend altid en savklinge, som passer til emnets materiale og beskaffenhed.
- ▶ Monter aldrig slibeskiver af enhver art på dette elværktøj.
- ▶ Før kun elværktøjet mod emnet, når elværktøjet er tændt.
- ▶ Tilpas fremføringskraften i forhold til savklingen og det materiale, der skal bearbejdes. På den måde forhindrer du, at savklingen blokerer og derved medfører tilbageslag.
- ▶ Undgå at savtændernes spidser bliver overophedet.
- ▶ Indsatsværktøjets tilladte omdrejningstal skal være mindst lige så højt som det maksimale omdrejningstal angivet på elværktøjet. Tilbehør, der roterer hurtigere end det tilladte omdrejningstal, kan gå i stykker og slynge dele ud.
- ▶ Arbejd ikke i omgivelser med høj støvbelastning.
- ▶ Støv, der dannes ved slibning, skæring og boring, kan indeholde farlige kemikalier. Nogle eksempler er: Bly eller maling på blybasis; Tegl, beton og andre murværksprodukter, natursten og andre silikatholdige produkter; Bestemte træsorter som eg, bøg og kemisk behandlet træ; Asbest eller asbestholdige materialer. Bestem eksponeringen for brugeren og omkringstående personer ved hjælp af fareklassen for de materialer, der arbejdes på. Træf de nødvendige foranstaltninger for at holde eksponeringen på et sikkert niveau, f.eks. ved at bruge et støvopsamlingsystem eller brug af et passende åndedrætsværn. Generelle foranstaltninger til at reducere eksponeringen omfatter bl.a.:
 - ▶ Arbejde i et godt ventileret område,
 - ▶ Undgå længere tids kontakt med støv,
 - ▶ Lede støv bort fra ansigt og krop,
 - ▶ Brug beskyttende beklædning og vaske eksponerede områder med vand og sæbe.



- ▶ Sørg for, at du og alle andre personer i arbejdsområdet altid bruger åndedrætsværn, der opfylder kravene i forbindelse med den pågældende brug.
- ▶ Sørg for, at du og alle andre personer i arbejdsområdet ved brug af maskinen bruger beskyttelsesbriller, sikkerhedshjelm, høreværn, beskyttelseshandsker og sikkerhedssko.
- ▶ Find ud af, hvilken fareklasse det støv, der opstår ved arbejdet, har, inden du går i gang med arbejdet. Anvend en industristøvsuger med en officielt tilladt beskyttelsesklassificering, som opfylder de lokale støvbeskyttelsesbestemmelser.
- ▶ Overhold de nationale arbejdsmiljøkrav.
- ▶ Anvend opspændingsanordninger eller en anden løsning til at sikre emnet og holde det i en stabil position. Det er for ustabil at holde emnet fast med hånden eller kroppen og kan medføre tab af kontrol. Lad ikke en anden person holde emnet på plads.
- ▶ Sav ikke i ukendte underlag, og hold skærelinjen fri for forhindringer øverst og nederst. Savklingen kan slå tilbage, hvis elværktøjet rammer en genstand.
- ▶ Fare for personskader på grund af værktøj og/eller tilbehør, som falder på jorden. Kontrollér før arbejdets begyndelse, at det monterede tilbehør er sikkert fastgjort.
- ▶ Undgå ved savning med udsugning, at berøre støvbeskyttelsesafskærmningen eller sugeslangen. Bearbejdning af materialer med stor støvudvikling kan medføre øget risiko for at få elektrostatisk stød.
- ▶ Kontrollér, at der ikke befinder sig nogen forhindringer i skærelinjen, f.eks. søm, skruer eller andre metaldele.
- ▶ Anvend altid savklinger, som anbefales af **Hilti**, og som opfylder standarden EN 847-1.
- ▶ Ved savning af kunststof skal du være opmærksom på, at emnet ikke bliver for varmt og smelter.


Elektrisk sikkerhed

- ▶ Før du påbegynder arbejdet, skal du undersøge arbejdsområdet for skjulte elektriske ledninger, gas- og vandrør, f.eks. med en detektor. Udvendige metaldele på elværktøjet kan blive spændingsførende, hvis du f.eks. utilsigtet har beskudiget en elledning. Derved er der en højere risiko for elektrisk stød.

2.4 Omhyggelig omgang med og brug af batterier

- ▶ **Overhold følgende sikkerhedsforanstaltninger for sikker håndtering og brug af Li-ion-batterier.** I modsat fald kan det medføre hudirritation, alvorlige ætsningsskader, kemiske forbrændinger, brand og/eller eksplosion.
- ▶ Anvend kun batterier i teknisk fejlfri stand.
- ▶ Batterier skal behandles forsigtigt for at undgå beskadigelser og udslip af meget sundhedsskadelige væsker!
- ▶ Batterier må under ingen omstændigheder modificeres eller manipuleres!
- ▶ Batterierne må ikke adskilles, klemmes, opvarmes til over 80 °C eller brændes.
- ▶ Anvend og oplad ikke batterier, som har fået stød eller på anden vis er blevet beskadiget. Kontrollér regelmæssigt dine batterier for tegn på skader.
- ▶ Anvend aldrig genbrugte eller reparerede batterier.
- ▶ Anvend aldrig batteriet eller et batteridrevet elværktøj som slagværktøj.
- ▶ Udsæt aldrig batterier for direkte solstråling, høj temperatur, gnister eller åben ild. Det kan medføre eksplosion.
- ▶ Berør ikke batteripolerne med dine fingre, værktøj, smykker eller andre elektrisk ledende genstande. Det kan beskadige batteriet og medføre personskader og materielle skader.
- ▶ Hold batterier på sikker afstand af regn, fugt og væsker. Indtrængende fugt kan medføre kortslutninger, elektrisk stød, forbrændinger, brand og eksplosion.
- ▶ Brug kun ladere og elværktøj, der er beregnet til denne batteritype. Overhold i den forbindelse oplysningerne i de tilhørende brugsanvisninger.
- ▶ Anvend og opbevar ikke batteriet i eksplosionsfarlige omgivelser.
- ▶ Hvis batteriet er for varmt til at kunne røres, kan det være defekt. Anbring batteriet på et overskueligt, ikke-brændbart sted med tilstrækkelig afstand til brændbare materialer. Lad batteriet køle af. Hvis batteriet efter en time fortsat er for varmt til at kunne røres, er det defekt. Kontakt **Hilti Service** eller læs dokumentet "Anvisninger om sikkerhed og anvendelse af **Hilti** Li-ion-batterier".



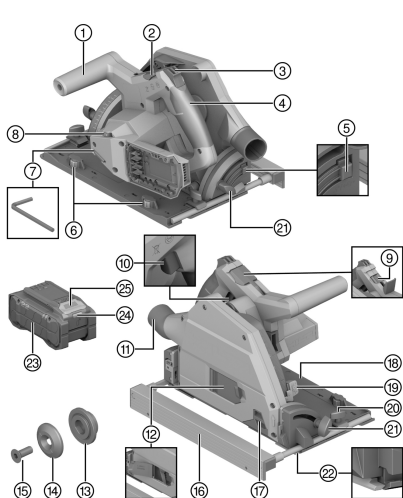
Vær opmærksom på de særlige retningslinjer, der gælder for transport, opbevaring og brug af Li-ion-batterier.  50

Læs anvisningerne vedrørende sikkerhed og anvendelse til **Hilti** Li-ion-batterier, som du kan finde ved at scanne QR-koden sidst i denne brugsanvisning.



3 Beskrivelse

3.1 Produktoversigt



- ① Ekstragreb
- ② Låsegreb savklingskift
- ③ Startspærre
- ④ Hovedgreb
- ⑤ Frigøringsknap til skærevinkel -1° og 47°
- ⑥ Indstillingshjul til udligning af slør (slør mellem styreskinne og styrenot i grundpladen)
- ⑦ Sekskantnøgle
- ⑧ Indstillingshjul til savklings omdrejningstal
- ⑨ Spindellås
- ⑩ Afbryder
- ⑪ Spånudkast/tilslutningsstuds
- ⑫ Montageklap til savklingskift
- ⑬ Holdeflange
- ⑭ Spændeflange
- ⑮ Spændeskruer
- ⑯ Parallelanslag
- ⑰ Skydevindue til støvbeskyttelse
- ⑱ Grundplade
- ⑲ Skæredybdeindstilling
- ⑳ Klemeskruer til parallelanslag
- ㉑ Klemeskruer til indstilling af skærevinkel
- ㉒ Adaptiv snitindikator
- ㉓ Batteri
- ㉔ Statusindikator for batteri
- ㉕ Batterifrigøringsknap

3.2 Bestemmelsesmæssig anvendelse

Det beskrevne produkt er en batteridrevet dykrundsav. Det er beregnet til saveopgaver og dyksavning i følgende materialer:

- Træ og træliggende materialer
- Kunststoffer
- Gipsplader
- Fibercementplader
- Ikke-jernmetal

Produktet er beregnet til tømrerarbejde og arbejde med indendørs renovering.

Rundsaven er forsynet med en tilslutningsstuds til en optimal udsugningsanordning, som er dimensioneret til gængse støvsugerslanger. For at slutte støvsugerslangen til saven kan det være nødvendigt med en passende adapter.

Anvend altid kun savklinger, som er godkendt for produktet, og som opfylder specifikationerne under de tekniske data (f.eks. diameter, omdrejningstal, tykkelse, materiale, etc...). Det er ikke tilladt at anvende slibe- og skæreskiver samt savklinger af højtlegeret hårdt HSS-stål.

Sav kun plane emner, som har en tilstrækkelig stor støtteflade for grundpladen.

- Brug kun **Hilti** Li-ion-batterier fra serie B 22 til dette produkt. **Hilti** anbefaler at bruge de batterier, der er anført i tabellen i slutningen af denne brugsanvisning, til dette produkt.
- Anvend kun **Hilti**-ladere af de serier, der er anført i slutningen af denne brugsanvisning, til disse batterier.

3.3 Leveringsomfang

Batteridrevet rundsav, savklinge, brugsanvisning





Andre systemprodukter, som er godkendt til dit produkt, finder du i **Hilti Store** eller på: **www.hilti.group**

3.4 Li-ion-batteriets indikatorer

Hilti Nuron Li-ion-batterier kan vise ladetilstand, fejlmeddelelser og batteriets tilstand.

3.4.1 Visning af ladetilstand og fejlmeddelelser



ADVARSEL

Fare for personskader på grund af batteri, der falder på gulvet!

- Sørg for, at du ved isat batteri efter tryk på frigøringsknappen bringer batteriet korrekt i indgreb igen i det anvendte produkt.

For at få en af følgende visninger skal du trykke kort på batteriets frigøringsknop.

Ladetilstanden og evt. fejl vises også konstant, så længe det tilsluttede produkt er tændt.

Tilstand	Betydning
Fire (4) LED'er lyser konstant grønt	Ladetilstand: 100 % til 71 %
Tre (3) LED'er lyser konstant grønt	Ladetilstand: 70 % til 51 %
To (2) LED'er lyser konstant grønt	Ladetilstand: 50 % til 26 %
En (1) LED lyser konstant grønt	Ladetilstand: 25 % til 10 %
En (1) LED blinker langsomt grønt	Ladetilstand: < 10 %
En (1) LED blinker hurtigt grønt	Li-ion-batteriet er helt afladet. Oplad batteriet. Hvis LED'en stadig blinker hurtigt efter opladning af batteriet, bedes du kontakte HiltiService .
En (1) LED blinker hurtigt gult	Li-ion-batterier eller det dermed forbundne produkt er overbelastet, er for varmt, for koldt, eller der foreligger en anden fejl. Bring produktet og batteriet op på den anbefalede arbejdstemperatur, og overbelast ikke produktet under anvendelsen. Hvis meddelelsen stadig vises, bedes du kontakte HiltiService .
En (1) LED lyser gult	Li-ion-batteriet og det dermed forbundne produkt er ikke kompatible. Kontakt Hilti Service .
En (1) LED blinker hurtigt rødt	Li-ion-batteriet er låst og kan ikke længere anvendes. Kontakt Hilti Service .

3.4.2 Visning om batteriets tilstand

Hvis du ønsker at aflæse batteriets tilstand, skal du holde frigøringsknappen inde i mere end tre sekunder. Systemet registrerer ingen potentielle funktionsfejl for batteriet som følge af misbrug som f.eks. nedstyrning, perforeringer, eksterne varmeskader osv.

Tilstand	Betydning
Alle lysdioder lyser som løbelys, og derefter lyser én (1) lysdiode grønt.	Batteriet kan fortsat benyttes.
Alle lysdioder lyser som løbelys, og derefter blinker én (1) lysdiode hurtigt gult.	Forespørgslen om batteriets tilstand kunne ikke afsluttes. Gentag proceduren, eller kontakt Hilti Service .
Alle lysdioder lyser som løbelys, og derefter lyser én (1) lysdiode rødt.	Hvis et tilsluttet produkt fortsat kan benyttes, er den resterende batterikapacitet under 50%. Hvis et tilsluttet produkt ikke længere kan benyttes, er batteriet ved slutningen af sin levetid og skal udskiftes. Kontakt Hilti Service .



4 Tekniske data

4.1 Produktgenskaber

	SC 6WP-22
Produktgeneration	01
Vægt	3,3 kg (iht. EPTA-Procedure 01 uden batteri)
Vægt (parallelanslag)	0,45 kg
Mål (L×B×H)	360 mm × 200 mm × 237 mm
Stamklingetykkelse	1 mm ... 1,5 mm
Maks. skæredybde	57 mm
Nominelt omdrejningstal, ubelastet	6.000/min
Nominal spænding	21,6 V

4.2 Savklingetyper og anvendelser

Savklingetype	Anvendelsesvejledning
Universal-savklinge Finsnit-savklinge	Træ og træbaserede materialer
Fibercement-savklinge	Fibercement eller fibercement-baserede materialer

4.3 Opbevarings- og driftstemperatur

Opbevaringstemperatur	-20 °C ... 70 °C
Omgivende temperatur under drift	-17 °C ... 60 °C

4.4 Batteri

Batteriets driftsspænding	21,6 V
Vægt, batteri	Se bagest i denne brugsanvisning
Omgivende temperatur under drift	-17 °C ... 60 °C
Opbevaringstemperatur	-20 °C ... 40 °C
Batteriets temperatur ved start af ladning	-10 °C ... 45 °C

4.5 Støjinformation og vibrationsværdier

Lydtryk- og vibrationsværdier i denne brugsanvisning er målt i henhold til en standardiseret målemetode og kan anvendes til sammenligning af forskellige elværktøjer. De kan også anvendes til en foreløbig vurdering af den eksponering, brugeren udsættes for.

De anførte data repræsenterer elværktøjets primære anvendelsesformål. Hvis elværktøjet imidlertid anvendes til andre formål, med andre indsatsværktøjer eller utilstrækkelig vedligeholdelse, kan dataene afvige. Dette kan føre til en øget eksponering, som brugeren udsættes for, i hele arbejdstiden markant.

For at opnå en præcis vurdering af den eksponering, som brugeren udsættes for, bør også den tid, hvor elværktøjet er slukket eller blot kører uden at blive anvendt, inddrages. Dette kan reducere den eksponering, som brugeren udsættes for, i hele arbejdstiden markant.

Fastlæg yderligere sikkerhedsforanstaltninger til beskyttelse af brugeren mod støj- og/eller vibrationspåvirkninger, f.eks. er det vigtigt at vedligeholde elværktøj og indsatsværktøj, at holde hænderne varme og at organisere arbejdsprocesserne.



Du finder detaljerede oplysninger om de anvendte versioner af de **EN 62841**-standarder, der skal anvendes, på billedet af overensstemmelseserklæringen 312.



Støjinformation

Lydeffektniveau (L_{WA})	106 dB(A)
Usikkerhed, lydeffektniveau (K_{WA})	3 dB(A)
Lydtrykniveau (L_{pA})	98 dB(A)
Usikkerhed, lydtrykniveau (K_{pA})	3 dB(A)

Samlede vibrationsværdier

Savning af spånplade ($a_{n,W}$)	B 22-55	0,9 m/s ²
Savning af aluminiumplade ($a_{n,M}$)	B 22-55	1,7 m/s ²
Usikkerhed (K)		1,5 m/s ²

5 Forberedelse af arbejdet

ADVARSEL

Fare for personskader på grund af utilsigtet start!

- ▶ Før isætning af batteriet skal du kontrollere, at det tilhørende produkt er slukket.
- ▶ Fjern batteriet fra maskinen, inden du foretager indstillinger eller skifter tilbehørsdele på den.

Følg sikkerheds- og advarselshenvisningerne i denne dokumentation og på produktet.

5.1 Opladning af batteri

1. Læs brugsanvisningen til laderen før opladning.
2. Vær opmærksom på, at kontakterne på batteriet og laderen er rene og tørre.
3. Oplad batteriet i en godkendt lader. 42

5.2 Isætning af batteri

ADVARSEL

Fare for personskader på grund af kortslutning eller batteri, der falder på gulvet!

- ▶ Før isætning af batteriet skal du kontrollere, at batteriets kontakter og kontakterne på produktet er fri for fremmedlegemer.
- ▶ Kontrollér, at batteriet altid går korrekt i indgreb.

1. Lad batteriet helt op før første ibrugtagning.
2. Skub batteriet ind i produktet, indtil det går hørbart i indgreb.
3. Kontrollér, at batteriet er sat korrekt i.

5.3 Fjernelse af batteri

1. Tryk på batteriets frigøringsknap.
2. Træk batteriet ud af produktet.

5.4 Faldsikring

ADVARSEL

Fare for personskader som følge af nedfaldende værktøj og/eller tilbehør!

- ▶ Anvend kun den **Hilti**-værktøjsikkerhedslinje, som er beregnet til dit produkt.
- ▶ Kontrollér værktøjsikkerhedslinens fastgørelsespunkt for mulige skader før hver brug.



Overhold nationale retningslinjer for opgaver i højden.

Brug kun **Hilti** værktøjslinen #2261971 som sikring mod nedstyrtning af dette produkt.

- ▶ Fastgør værktøjslinen til produktet med løkken som vist på billedet. Kontrollér, at den sidder sikkert.



- ▶ Fastgør karabinhagen på en bærende struktur. Kontrollér, at karabinhagen sidder godt fast.



Overhold brugsanvisningen til **Hilti** værktøjslinen.

5.5 Placering af dykenheden i montagestilling 3



Dykenheden er udstyret med en montagestilling, hvor der er adgang til spændeskruen gennem montagevinduet. Montagestillingen kan indstilles ved hjælp af låsegrebet.

Når du vipper låsegrebet tilbage (i grundstillingen), kører dykenhed hurtigt tilbage. Hold fast i produktet på hovedgrebet for at føre dykenheden kontrolleret ind i udgangspositionen.

1. Placer produktet, så der kan dyksaves med maksimal skæredybde (f.eks. på en bordkant).
2. Åbn montageklappen for at montere savklingen.
3. Indstil skæredybdeindikator til maksimal værdi **(1)**.
4. Vip låsegrebet opad (montagestilling) **(2)**.
5. Tryk på startspærren **(3)** og hold den inde, og dyk herefter dykenheden ned i montagestilling.
 - ▶ Dykenheden går hørbart i indgreb i montagestillingen.
 - ▶ Spændeskruen kan nu ses i midten af montagevinduet.

5.6 Afmontering af savklinge 4



ADVARSEL

Fare for forbrænding og snitsår på savklinge, spændeskruer og spændeflange Det kan medføre forbrændinger og snitsår.

- ▶ Brug derfor altid beskyttelseshandsker, når du skifter værktøj.

1. Sæt dykenheden i montagestilling. 46
2. Tryk på spindellåsen **(1)**, og hold den inde.
3. Løsn spændeskruen **(2)** med unbrakonøglen.



Orienter dig efter pilen: Spændeskruen løsnes ved at dreje den i savklingsens rotationsretning.

4. Fjern spændeskruen og spændeflengen.
5. Tag savklingen ud af beskyttelsesafskærmningen ved at bevæge klingens nedad.



Om nødvendigt kan holdeflangen tages af i forbindelse med rengøring.

5.7 Montering af savklinge 5, 6

Kontrollér, at den savklinge, som monteres i saven, opfylder de tekniske krav og er velslebet. En skarp savklinge er en forudsætning for et fejlfrit savsnit.

Vælg før brug altid den savklinge, der passer til det materiale, der skal saves i.

1. Sæt dykenheden i montagestilling. 46
2. Rengør holde- og spændeflengen **(1)**.
3. Sæt holdeflangen på drevspindelen, og sørg for, at den vender rigtigt.
4. Indsæt den nye savklinge **(2)**.
 - ▶ Vær opmærksom på pilen til markering af rotationsretningen på savklingen **(3)** og på beskyttelsesafskærmningen **(4)**. De to pile skal pege i samme retning.
5. Sæt spændeflengen på, og sørg for, at den vender rigtigt.
6. Skru spændeskruen i.
7. Tryk på spindellåsen **(5)**, og hold den inde.
8. Spænd spændeskruen med unbrakonøglen **(6)**.



Orienter dig efter pilen: Spænd spændeskruen ved at dreje den mod savklingsens rotationsretning.

9. Kontrollér, at savklingen sidder korrekt.



10. Hold produktet på hovedgrebet.
11. Sæt låsegrebet i grundstilling, og drej dykenheden tilbage i grundstillingen (7).
12. Luk montageklappen for at montere savklingen.

5.8 Skydevindue til støvbeskyttelse

For at opnå optimal spånudsugning skal du altid skubbe skydevinduet til støvbeskyttelse så tæt som muligt hen til emnet.

5.9 Indstilling af skæredybde 7



Den indstillede skæredybde bør altid være ca. 5 til 10 mm større end tykkelsen på det materiale, der skal saves.

1. Tryk på frigøringsknappen til skæredybdeindstillingen (1), og hold den inde.
2. Skub skyderen hen til den ønskede skæredybde (2).
 - ▶ Skæredybdeindikatoren er udstyret med separat visning af snit med styreskinne (3) og snit uden styreskinne (4).
3. Slip frigøringsknappen til skæredybdeindstillingen.

5.10 Indstilling af skærevinkel til geringsssnit 3



• Undgå forskellige vinkelindstillinger forrest og bagest ved ikke at trykke på ekstragrebet eller saven ved fastspændingen. Med forskellige vinkelindstillinger kan der ikke laves et lige snit.

1. Løsn de 2 klemkruer til indstilling af skærevinkel (1).
2. Drej produktet over i den ønskede skærevinkel.
 - ▶ Hvis du vil indstille en vinkel på -1° eller over 45° (op til maks. 47°), skal du trykke på frigøringsknappen og holde den inde (2).
3. Spænd en af de to klemkruer til indstilling af skærevinklen.
4. Spænd klemkruen på modsatte side til indstilling af skærevinklen.

5.11 Indstilling af savklingens omdrejningstal

Anvend altid et omdrejningstal, der passer til den anvendte savklinge og det materiale, der skal bearbejdes. Med et tilpasset omdrejningstal undgås overophedning af savtænderne og samtidig får savklingerne en længere levetid.

- ▶ Drej knappen til indstilling af omdrejningstallet til den korrekte position.

5.12 Montering af parallelanslag 3



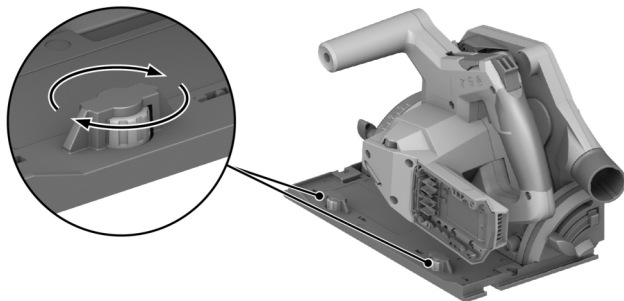
Afhængigt af parallelanslagets montering på produktet kan det opfylde én af de følgende to funktioner:

- Den L-formede kant vender nedad:
Parallelanslag til ens snit langs en kant.
- Den L-formede kant vender opad:
Udvidelse af grundpladen for at opnå mere stabil styring til savning uden styreskinne.

1. Løsn de to klemkruer.
2. Skub parallelanslaget ind i grundpladens montageholdere.
3. Indstil parallelanslaget til den nødvendige afstand for at udføre snittet.
 - ▶ Kontrollér, at afstanden er ens på begge sider.
4. Spænd de to klemkruer.



5.13 Placering af produktet på styreskinnen



1. Sæt grundpladen med noten i styreskinnen på styreribben.
2. Kontrollér sløret mellem styreskinnen og grundpladen.
3. Indstil sløret med excenterskruerne (**1**):
 - ▶ Drej excenterskruerne med uret, hvis sløret skal reduceres.
 - ▶ Drej excenterskruerne mod uret, hvis sløret skal øges.
4. Indstil sløret, så det er så lille som muligt, uden at glidebevægelsen forringes.

6 Betjening

Følg sikkerheds- og advarselshenvisningerne i denne dokumentation og på produktet.

6.1 Tænding og slukning

Tænding

1. Tryk på startspærren, og hold den opad.
2. Tryk på afbryderen, og hold den inde.
3. Slip startspærren.



Startspærren forbliver i frigjort position, så længe afbryderen holdes inde, eller så længe dykenheden står i en dykposition. Startspærren springer automatisk til den spærrede position, når dykenheden står i grundstilling, og du slipper afbryderen.

Frakobling

4. Sæt dykenheden tilbage i grundstillingen.
5. Slip afbryderen.

6.2 Støv- og spånhåndtering

- Savning med **udsugning**:
Slut sugeslangen til udsugningsstudsden, og følg anvisningerne i brugsanvisningen til støvsugeren.
- Savning med **støvpose**:
Sæt støvposen med adapter i udsugningsstudsden til udsugningen.



Du kan også anvende produktet uden metode til støvopsamling. Kontrollér, at støv og spåner fra saven blæses frit ud.

6.3 Savning efter opmærkning **11**



Sav kun plane emner, som har en tilstrækkelig stor støtteflade for grundpladen.

1. Sørg for at sikre emnet, så det ikke kan forrykke sig, og markér skæreforløbet (opmærkningen).



2. Indstil skæredybden. 47
3. Placer produktet med den adaptive snitindikator på opmærkningslinjen.
4. Tænd produktet. 48
 - ▶ Produktets dykkebevægelse er kun mulig, når afbryderen er frigjort.
5. Dyk dykenheden ned i emnet til anslag (1).
6. Før produkt gennem emnet med en egnet arbejdshastighed.
7. Drej dykenheden tilbage i grundstilling, mens savklingen kører (2).



På den måde forhindrer du, at savklingen klemmer sig fast i emnet.

8. Sluk produktet, når dykenheden er i grundstilling. 48

6.4 Udførelse af dyksavning

1. Indstil skæredybden. 47
2. Sæt produktet på emnet.
3. Tænd produktet. 48
 - ▶ Produktets dykkebevægelse er kun mulig, når afbryderen er frigjort.
4. Dyk produktet ned i emnet til anslag.
5. Før produkt gennem emnet med en egnet arbejdshastighed.
6. Drej produktet ud af emnet.
7. Sluk produktet, når dykenheden er i grundstilling. 48

6.5 Udførelse af geringssnit (vinkelsnit)



Produktet er udstyret med en adaptiv snitindikator, der automatisk tilpasser sig til den indstillede skærevinkel. Den adaptive snitindikator gælder kun for snit foretaget uden styreskinne. Ved snit med styreskinne er snitlinjen konstruktionsbetinget uafhængig af den indstillede skærevinkel.

1. Indstil skærevinklen til geringssnit. 47
2. Placer produktet med den adaptive snitindikator på opmærkningslinjen.
3. Tænd produktet. 48
4. Dyk dykenheden ned i emnet.
5. Før produktet gennem emnet langs med styreskinne.

6.6 Savsnit med styreskinne

1. Fastgør styreskinne med 2 skruevinger.
2. Placer grundpladen med noten på styreskinnes styreribbe.
3. Indstil skærevinklen til geringssnit. 47
4. Indstil skæredybden. 47
5. Tænd produktet. 48
6. Dyk dykenheden ned i emnet.
7. Før produktet gennem emnet langs med styreskinne.

7 Rengøring og vedligeholdelse



ADVARSEL

Fare for personskader ved isat batteri !

- ▶ Fjern altid batteriet før alle pleje- og vedligeholdelsesarbejder!

Pleje af produktet

- Fjern fastsiddende snavs forsigtigt.
- Rengør forsigtigt evt. ventilationsåbninger med en tør, blød børste.
- Rengør kun huset med en hårdt opvredet klud. Brug ikke silikoneholdige plejemidler, da de kan angribe plastdelene.
- Brug en ren, tør klud til at rengøre kontakterne på produktet.



Pleje af Li-ion-batterier

- Anvend aldrig et batteri med tilstoppede ventilationsåbninger. Rengør forsigtigt ventilationsåbningerne med en tør, blød børste.
- Undgå, at batteriet unødigt udsættes for støv og snavs. Udsæt aldrig batteriet for høj fugtighed (f.eks. dykke det i vand eller lade det stå ude i regnvej). Hvis et batteri er blevet gennemvådt, skal det behandles som et beskadiget batteri. Isolér det i en ikke-brændbar beholder, og kontakt **Hilti Service**.
- Hold batteriet frit for udefrakommende olie og fedt. Lad ikke unødigt støv og snavs samle sig på batteriet. Rengør batteriet med en tør, blød børste eller en ren, tør klud. Brug ikke silikoneholdige plejemidler, da de kan angribe plastdelene. Berør ikke batteriets kontakter, og fjern ikke det fedt fra kontakterne, som er påført fra fabrikken.
- Rengør kun huset med en hårdt opvredet klud. Brug ikke silikoneholdige plejemidler, da de kan angribe plastdelene.

Vedligeholdelse

- Kontrollér regelmæssigt alle synlige dele for skader og betjeningslementerne for fejlfri funktion.
- Anvend ikke produktet i tilfælde af beskadigelse og/eller funktionsfejl. Få straks produktet repareret af **Hilti Service**.
- Monter alle beskyttelsesanordninger efter pleje- og vedligeholdelsesarbejder, og kontroller dem for korrekt funktion.



Anvend kun originale reservedele og forbrugsmaterialer af hensyn til en sikker drift. Reservedele, forbrugsmaterialer og tilbehør til dit produkt, som **Hilti** har godkendt, finder du i din **Hilti Store** eller under: www.hilti.group

7.1 Rengøring af beskyttelsesanordning

1. Rengør forsigtigt beskyttelsesanordningerne med en tør børste.
2. Fjern aflejringer og spåner inde i beskyttelsesanordningerne med et egnet værktøj.

7.2 Rengøring af spånkanal

1. Hvis der er monteret en udsugning på udsugningsstuds, skal sugeslangen fjernes fra udsugningsstuds.
2. Rengør spånkanalen med en børste.

8 Transport og opbevaring af batteridrevet værktøj og batterier

Transport



FORSIGTIG

Utsigtet start ved transport !

- ▶ Transportér altid dine produkter uden isat batteri!
- ▶ Tag batteriet/batterierne af.
- ▶ Transportér aldrig batterier liggende løst og ubeskyttet. Under transporten bør batterierne beskyttes mod hårde slag og vibrationer og isoleres fra enhver form for ledende materialer eller andre batterier, så de ikke kommer i kontakt med andre batteripoler og forårsager en kortslutning. **Overhold de lokale transportforskrifter for batterier.**
- ▶ Batterier må ikke sendes med posten. Henvend dig til et transportfirma, hvis du ønsker at sende ubeskadigede batterier.
- ▶ Kontrollér produktet og batterierne for skader hver gang før brug og før og efter længere transport.

Opbevaring



ADVARSEL

Utsigtet beskadigelse på grund af defekte eller utætte batterier !

- ▶ Opbevar altid dine produkter uden isat batteri!
- ▶ Opbevar produkt og batterier køligt og tørt. Overhold de temperaturgrænser, der fremgår af de tekniske data.
- ▶ Opbevar ikke batterier i laderen. Tag batteriet ud af laderen, når opladningen er gennemført.
- ▶ Opbevar aldrig batterier i direkte sollys, på varmekilder eller i et vindue.



- ▶ Opbevar produkt og batterier utilgængeligt for børn og uvedkommende personer.
- ▶ Kontrollér produktet og batterierne for skader hver gang før brug og før og efter længere tids opbevaring.

9 Fejlafhjælpning

Vær opmærksom på batteriets statusindikator ved alle fejl. Se kapitlet **Li-ion-batteriets indikatorer**.



Ved fejl, som ikke fremgår af denne tabel, eller som du ikke selv kan afhjælp, beder vi dig om at kontakte **Hilti Service**.

Fejl	Mulig årsag	Løsning
Afbryderen kan ikke trykkes ned eller er blokeret.	Ingen fejl (sikkerhedsfunktion).	▶ Tryk på startspærren.
Hastigheden falder pludselig kraftigt.	Aflad batteri.	▶ Oplad batteriet.
	Fremføringskraft for høj.	▶ Nedsæt fremføringskraften, og tænd produktet igen.
Ingen eller nedsat sugeeffekt	Spånkanal tilstoppet.	▶ Rengør spånkanalen. 50
Produktet starter ikke automatisk efter blokering af savklingen.	Overbelastningsbeskyttelsen aktiveres.	▶ Tryk på startspærren og afbryderen igen.
Batteriet går ikke i indgreb med et tydeligt klik.	Holdetappen på batteriet er snavset.	▶ Rengør låsetappen, og sæt batteriet i igen.
Produktet vibrerer kraftigere end sædvanligt.	Savklinge forkert monteret.	▶ Afmonter savklingen, og monter den igen.
Batteriets lysdioder viser ingenting	Batteriet er defekt	▶ Kontakt Hilti Service .

10 Bortskaffelse



ADVARSEL

Fare for personskader på grund af ukorrekt bortskaffelse! Sundhedsfare på grund af udtrængen af gasser eller væsker.

- ▶ Beskadigede batterier må under ingen omstændigheder sendes!
- ▶ Tildæk kontakterne med et ikke-ledende materiale, så kortslutninger undgås.
- ▶ Bortskaf batterier på en sådan måde, at børn ikke kan få fat på dem.
- ▶ Bortskaf batteriet hos din **Hilti Store**, eller henvend dig til det ansvarlige renovationsfirma.

Størstedelen af de materialer, som anvendes ved fremstillingen af **Hilti**-produkter, kan genvindes. Materialerne skal dog sorteres, før de kan genvindes. I mange lande kan du aflevere dine udtjente produkter til **Hilti**, som derefter genvinder dem. Spørg **Hiltis** kundeservice eller din forhandler.



- ▶ Elværktøj, elektriske maskiner og batterier må ikke bortskaffes sammen med almindeligt husholdningsaffald!

11 Producentgaranti

- ▶ Hvis du har spørgsmål vedrørende garantibetingelserne, bedes du henvende dig til din lokale **Hilti**-partner.

12 Yderligere oplysninger

Yderligere oplysninger vedrørende betjening, teknik, miljø og recycling finder du under følgende link: qr.hilti.com/manual?id=2276609&id=2276671

Dette link finder du også sidst i dokumentationen som QR-kode.



Originalbruksanvisning

1 Anvisningar om bruksanvisning

1.1 Om denna bruksanvisning

- **Varning!** Innan du använder produkten ska du se till att du har läst och förstått den bruksanvisning som medföljer produkten, inklusive instruktioner, säkerhets- och varningsanvisningar, bilder och specifikationer. Gör dig särskilt förtrogen med alla anvisningar, säkerhets- och varningsanvisningar, bilder, specifikationer samt beståndsdelar och funktioner. Vid underlåtenhet att göra detta finns fara för elstöt, brand och/eller allvarliga personskador. Spara bruksanvisningen med alla anvisningar, säkerhets- och varningsanvisningar för senare användning.
- **HILTI**-produkter är avsedda för professionella användare och får endast användas, underhållas och repareras av auktoriserad, utbildad personal. Personalen måste vara särskilt informerad om de risker som finns. Produkten och dess tillbehör kan utgöra en risk om den används på ett felaktigt sätt av utbildad personal eller inte används enligt föreskrifterna.
- Den bifogade bruksanvisningen motsvarar den aktuella tekniska nivån vid tidpunkten för tryckningen. Du hittar alltid den senaste versionen online på Hiltis produktsida. Följ länken eller QR-koden i denna bruksanvisning, som är markerad med symbolen
- Produkten bör endast överlämnas till andra personer tillsammans med denna bruksanvisning.

1.2 Teckenförklaring

1.2.1 Varningar

Varningarna är till för att varna för risker i samband med användning av produkten. Följande riskindikeringar används:

FARA

FARA !

- Anger överhängande risker som kan leda till svåra personskador eller dödsolycka.

VARNING

VARNING !

- Anger potentiella risker som kan leda till svåra personskador eller dödsfall.

FÖRSIKTIGHET

FÖRSIKTIGHET !

- Används för att uppmärksamma om en potentiell risksituation som kan leda till skador på person eller utrustning.

1.2.2 Symboler i bruksanvisningen

I den här bruksanvisningen används följande symboler:

	Observera bruksanvisningen
	Anmärkningar och annan praktisk information
	Hantering av återvinningsbara material
	Elverktyg och batterier får inte kastas i hushållssoporna
	Hilti Litiumjonbatteri
	Hilti Batteriladdare

1.2.3 Symboler i bilderna

Följande symboler används i bilder:

- 2** Dessa siffror hänvisar till motsvarande bild i början av bruksanvisningen.



3	Numreringen återger ordningsföljden hos arbetsmomenten på bilden och kan skilja sig från arbetsmomenten i texten.
	På bilden Översikt används positionsnummer som hänvisar till siffrorna i teckenförklaringen i avsnittet Produktöversikt .
	Det här tecknet används när du bör vara särskilt uppmärksam vid hantering av produkten.

1.3 Produktberoende symboler

1.3.1 Allmänna symboler

Symboler som används med produkten.

n_0	Nominellt varvtal, obelastat
	Likström
	Rotationsriktningsspil
RPM	Varv per minut
\varnothing	Diameter
	Sågklinga
	Produkten stöder trådlös dataöverföring som är kompatibel med iOS- och Android-plattformar.
	Om denna markering finns på produkten är den godkänd av följande certifieringsorgan för den amerikanska och kanadensiska marknaden enligt gällande standarder.
Li-Ion	Litiumjonbatteri
	Använd aldrig batteriet som slagverktyg.
	Låt inte batteriet falla ner på marken. Använd inte batterier som har utsatts för slag eller på annat sätt har skadats.

1.3.2 Påbudssymboler

Följande påbudsmärken används på produkten:

	Använd skyddsglasögon
--	-----------------------

2 Säkerhet

2.1 Allmänna säkerhetsföreskrifter för elverktyg

⚠ WARNING Läs noga igenom alla säkerhetsföreskrifter, anvisningar, avbildningar och tekniska data som medföljer detta elverktyg. Om nedanstående anvisningar inte följs, finns risk för elektriska stötar, brand och/eller svåra skador.

Förvara alla säkerhetsföreskrifter och anvisningarna på ett säkert ställe för framtida användning.

Begreppet "elverktyg" som används i säkerhetsföreskrifterna avser nätdrivna elverktyg (med nätkabel) och batteridrivna elverktyg (sladdlösa).

Säker arbetsmiljö

- ▶ **Håll arbetsområdet rent och väl belyst.** Oordning eller bristfällig belysning på arbetsplatsen kan leda till olyckor.
- ▶ **Arbeta inte med elverktyget i omgivningarna med explosionsrisk där det finns brännbara vätskor, gaser eller damm.** Elverktyget alstrar gnistor som kan antända dammet eller gaserna.
- ▶ **Håll barn och obehöriga personer på betryggande avstånd under arbetet med elverktyget.** Om du störs av obehöriga personer kan du förlora kontrollen över verktyget.



Elsäkerhet

- ▶ **Elverktygets elkontakt måste passa till vägguttaget. Elkontakten får absolut inte ändras. Använd inte adapterkontakter tillsammans med skyddsjordade elverktyg.** Originalkontakter och lämpliga vägguttag minskar risken för elstöt.
- ▶ **Undvik kroppskontakt med jordade ytor som rör, värmeelement, pisar och kylskåp.** Det finns en större risk för elstöt om din kropp är jordad.
- ▶ **Skydda elverktyg från regn och väta.** Tränger vatten in i ett elverktyg ökar risken för elstöt.
- ▶ **Använd inte anslutningskabeln på ett felaktigt sätt, t.ex. genom att bära eller hänga upp elverktyg i den eller dra i den för att lossa elkontakten ur vägguttaget. Håll anslutningskabeln på avstånd från värmekällor, olja, vassa kanter och rörliga delar.** Skadade eller tilltrasslade anslutningskablar ökar risken för elstöt.
- ▶ **När du arbetar med ett elverktyg utomhus, använd endast förlängningskablar som är avsedda för utomhusbruk.** Genom att använda en lämplig förlängningskabel för utomhusbruk minskar du risken för elstöt.
- ▶ **Om det är alldeles nödvändigt att använda verktyget i fuktig miljö ska du använda en jordfelsbrytare.** Användning av jordfelsbrytare minskar risken för elstöt.

Personsäkerhet

- ▶ **Var uppmärksam, ha uppsikt över vad du gör och använd elverktyg med förnuft. Använd aldrig elverktyg om du är trött eller påverkad av droger, alkohol eller medicin.** En kort sekund av bristande uppmärksamhet när du arbetar med ett elverktyg kan leda till att du skadar dig själv eller någon annan svårt.
- ▶ **Bär alltid personlig skyddsutrustning och skyddsglasögon.** Genom att använda personlig skyddsutrustning som t.ex. dammskyddsmask, halkfria säkerhetsskor, hjälm eller hörselskydd, beroende på vilket elverktyg du använder och till vad, minskar du risken för kroppsskada.
- ▶ **Undvik oavsiktlig igångsättning. Se till att elverktyg är fränkopplat innan du ansluter det till nätströmmen och/eller batteriet, tar upp det eller bär det.** Om du bär elverktyg med fingret på strömbrytaren eller ansluter ett tillkopplat verktyg till nätströmmen kan en olycka inträffa.
- ▶ **Ta bort alla inställningsverktyg och skruvnycklar innan du kopplar in elverktyg.** Ett verktyg eller en nyckel i en roterande komponent kan leda till skador.
- ▶ **Undvik en onormal kroppshållning. Se till att du står stadigt och håller balansen.** Då kan du lättare kontrollera elverktyg i oväntade situationer.
- ▶ **Bär lämpliga kläder. Bär inte löst hängande kläder eller smycken. Håll håret, kläderna och handskarna på avstånd från rörliga delar.** Löst hängande kläder, smycken och långt hår kan dras in av roterande delar.
- ▶ **När du använder elverktyg med anordningar för uppsugning och uppsamling av damm, bör du kontrollera att dessa anordningar är rätt monterade och används korrekt.** Används en dammsugare kan faror som orsakas av damm minskas.
- ▶ **Invagga dig inte i falsk säkerhet och strunta inte säkerhetsreglerna för elverktyg även om du har stor vana vid att arbeta med elverktyg.** Oförsiktig hantering kan leda till allvarliga skador inom bråkdelar av en sekund.

Användning och hantering av elverktyg

- ▶ **Överbelasta inte verktyget. Använd elverktyg som är avsedda för det aktuella arbetet.** Med ett lämpligt elverktyg kan du arbeta bättre och säkrare inom angivet effektområde.
- ▶ **Använd aldrig elverktyg om strömbrytaren är defekt.** Ett elverktyg som inte kan kopplas in eller ur är farligt och måste repareras.
- ▶ **Dra ut elkontakten ur uttaget och/eller ta i förekommande fall bort det löstagbara batteriet innan du gör inställningar, byter tillbehör eller lägger ifrån dig verktyget.** Denna skyddsåtgärd förhindrar att du eller någon annan råkar sätta igång elverktyg av misstag.
- ▶ **Förvara elverktyg oåtkomligt för barn. Verktyget får inte användas av personer som inte är vana eller inte har läst dessa anvisningar.** Elverktyg är farliga om de används av oerfarna personer.
- ▶ **Underhåll elverktygen och tillbehören noggrant. Kontrollera att rörliga komponenter fungerar felfritt och inte kärvar och att komponenter inte har brustit eller skadats så att elverktygets funktion påverkas negativt. Se till att skadade delar repareras innan verktyget används igen.** Många olyckor orsakas av dåligt skötta elverktyg.
- ▶ **Håll insatsverktygen skarpa och rena.** Omsorgsfullt skötta insatsverktyg med skarpa egg kommer inte så lätt i kläm och går lättare att styra.
- ▶ **Använd elverktyg, tillbehör, insatsverktyg osv. enligt dessa anvisningar. Ta hänsyn till arbetsvillkoren och arbetsmomenten.** Används elverktyg på icke ändamålsenligt sätt kan farliga situationer uppstå.



- ▶ **Se till att handtaget och greppytorna är torra, rena och fria från olja och fett.** Med hala handtag och gripytor går det inte att hantera och kontrollera elverktyget säkert i oväntade situationer.

Användning och hantering av batteriverktyg

- ▶ **Ladda endast batterierna i de laddare som tillverkaren har rekommenderat.** Brandrisk kan uppstå om en laddare som är avsedd för en viss typ av batterier används för andra batterityper.
- ▶ **Använd endast batterier som är avsedda för aktuellt elverktyg.** Används andra batterier finns det risk för kroppsskada och brand.
- ▶ **Håll gem, mynt, nycklar, spikar, skruvar och andra små metallföremål på avstånd från reservbatterier för att undvika kortslutning av kontakterna.** En kortslutning av batteriets kontakter kan leda till brännskador eller brand.
- ▶ **Om batteriet används på fel sätt kan vätska rinna ur batteriet. Undvik kontakt med vätskan. Vid oavsiktlig kontakt, skölj med vatten. Om vätska kommer i kontakt med ögonen, uppsök dessutom läkare.** Batterivätskan kan orsaka hudirritation eller brännskada.
- ▶ **Använd aldrig skadade eller egenhändigt modifierade batterier.** Skadade eller modifierade batterier kan bete sig oförutsägbart och orsaka brand, explosioner eller risk för skador.
- ▶ **Utsätt aldrig batterier för öppen eld eller för höga temperaturer.** Öppen eld eller temperaturer över 130 °C (265 °F) kan orsaka explosion.
- ▶ **Följ alla anvisningar för laddning och ladda aldrig batteriet eller batteriverktyget vid temperaturer som ligger utanför det intervall som anges i bruksanvisningen.** Felaktigt utförd laddning eller laddning vid temperaturer utanför det tillåtna intervallet kan förstöra batteriet och öka risken för brand.

Service

- ▶ **Låt endast kvalificerad fackpersonal reparera elverktyget och använd då endast originalreservdelar.** Detta garanterar att verktygets säkerhet upprätthålls.
- ▶ **Utför aldrig underhåll på skadade batterier.** Underhåll av batterier får endast utföras av tillverkaren eller av auktoriserade kundservicecenter.

2.2 Säkerhetsföreskrifter för alla sågar

Sågningsförfarande

- ▶ **⚠ FARA: Håll händerna borta från sågklingan och området omkring den. Håll ena handen på det extra handtaget eller på motorkåpan.** Om du håller sågen med båda händerna kan de inte skadas av sågklingan.
- ▶ **Håll inte händerna under arbetsstycket.** Klingskyddet kan inte skydda dina händer under arbetsstycket.
- ▶ **Anpassa snittdjupet till arbetsstyckets tjocklek.** Mindre än en hel tandlängd av sågklingans tänder får synas under arbetsstycket.
- ▶ **Håll aldrig fast arbetsstycket som ska sågas med handen eller stödd på ena benet. Fäst arbetsstycket vid ett stabilt underlag.** Det är viktigt att fästa arbetsstycket ordentligt för att undvika kontakt med kroppen, att sågklingan fastnar eller att man tappar kontrollen över verktyget.
- ▶ **Håll endast elverktyget i de isolerade greppytorna när du utför arbeten där insatsverktyget kan stöta på dolda elledningar.** Vid kontakt med en spänningsförande ledning överförs spänningen även till metalldelarna på elverktyget och kan ge dig en stöt.
- ▶ **Använd alltid ett anslag eller en rak kantföring vid sågning på längden.** Detta leder till en bättre sågprecision och minskar risken för att sågklingan kör fast.
- ▶ **Använd alltid en sågklinga av rätt storlek och med lämpligt axelhål (t.ex. stjärnformat eller runt).** Sågklingor som inte passar sågens monteringsdelar går ojämnt och gör att du får sämre kontroll.
- ▶ **Använd aldrig skadade eller felaktiga distansbrickor eller mellanskruvor för sågklingan.** Distansbrickorna och mellanskruvorna är specialkonstruerats för din såg för optimal effekt och driftsäkerhet.

Kast – orsaker och motsvarande säkerhetsföreskrifter

- Ett kast är en plötslig reaktion till följd av att en sågklinga hakar i, kläms fast eller riktas fel, så att sågklingan okontrollerat kastas upp ur arbetsstycket i riktning mot användaren;
- Om sågklingan fastnar i sågspåret blockeras den och motorkraften pressar verktyget mot användaren.
- Om sågklingan vrids eller tänderna är felaktigt riktade, kan tänderna i sågklingans bakre kant haka sig fast i arbetsstycket så att sågklingan stöts bort från sågspåret och mot användaren.

Ett kast eller bakslag är ett resultat av att sågen används på ett felaktigt sätt. Det kan förhindras med hjälp av lämpliga försiktighetsåtgärder som beskrivs nedan.

- ▶ **Håll fast sågen med båda händerna och håll armarna i en position som hjälper dig att stå emot bakslagskrafterna. Håll sågklingan sidledes och se till att aldrig hålla den i linje med kroppen.** Vid ett bakslag kan cirkelsågen hoppa bakåt, men om du har vidtagit rätt försiktighetsåtgärder kan du hålla emot bakslagskrafterna.



- ▶ **Om sågklingan fastnar eller om du avbryter arbetet ska du stänga av sågen och hålla den stilla i arbetsmaterialet tills sågklingan har stannat helt. Försök aldrig att dra ut sågen ur arbetsstycket eller att dra den bakåt så länge klingan roterar och kan göra ett kast.** Ta reda på orsaken till att sågklingan fastnat och åtgärda den.
- ▶ **När du ska starta om en såg som är instucken i ett arbetsstycke centrerar du sågklingan i sågspåret och kontrollerar att tänderna inte har fastnat i arbetsstycket.** Om sågklingan har fastnat och du ska starta sågen igen kan sågklingan göra en snabb rörelse bort från arbetsstycket eller göra ett bakslag.
- ▶ **Stötta stora plattor för att minska risken för ett bakslag orsakat av en fastklämd sågklinga.** Stora plattor kan böjas av kroppsvikten. Plattorna måste ha stöd på båda sidor, både nära sågspåret och vid kanten.
- ▶ **Använd inte slöa eller skadade sågklingor.** Sågklingor som har slöa eller felriktade tänder ger ökad friktion, klämmer åt sågklingan och kan medföra ett bakslag.
- ▶ **Dra åt snittdjups- och sågvinkelinställningen innan du börjar såga.** Om du ändrar sågens inställningar under sågarbetet kan sågklingan klämmas fast och ett kast uppstå.
- ▶ **Var extra försiktig vid sågning i befintliga väggar eller andra områden som du inte har full uppsikt över.** Sågklingan kan fastna i dolda föremål och ett kast kan uppstå.

Klingskyddets funktion

- ▶ **Kontrollera alltid att klingskyddet stängs ordentligt innan du använder cirkelsågen. Använd inte sågen om klingskyddet inte kan röra sig fritt och inte går att stänga på en gång. Kläm eller bind aldrig fast klingskyddet; om klingskyddet sitter fast är sågklingan oskyddad.** Om du skulle tappa sågen på golvet kan klingskyddet böjas. Försäkra dig om att klingskyddet kan röra sig fritt och att det inte kommer i kontakt med sågklingan eller med andra komponenter, vilken sågvinkel eller snittdjup som än används.
- ▶ **Kontrollera status och funktion hos klingskyddets fjäder. Använd inte verktyget om klingskyddet och fjädern inte fungerar felfritt.** Skadade delar, klibbiga avlagringar eller för stor ansamling av spån kan göra det ure klingskyddet trögt.
- ▶ **Vid instick som inte utförs i rätt vinkel måste du säkra sågens bottenplatta mot förskjutning i sidled.** Förskjutning i sidled kan leda till att sågklingan fastnar och att det uppstår ett bakslag.
- ▶ **Lägg inte sågen på arbetsbänken eller på golvet utan att först se till att klingskyddet täcker sågklingan.** En oskyddad sågklinga som fortfarande roterar förflyttar sågen i motsatt riktning mot sågriktningen och sågar i allt som kommer i dess väg. Observera att sågklingan fortsätter att rotera en viss tid efter det att sågen stängts av.

2.3 Extra säkerhetsföreskrifter

Personsäkerhet

- ▶ Elverkytet med tillbehör får inte byggas om eller ändras.
- ▶ Elverkytet får inte användas utan tillhörande skyddsanordningar.
- ▶ Om du använder elverkytet utan dammsug bör du alltid bära ett lätt andningsskydd vid arbeten som genererar mycket damm.
- ▶ Håll alltid elverkytet i handtagen med båda händerna.
- ▶ Bär hörselskydd. Buller kan leda till hörselskador.
- ▶ Gör pauser i arbetet och utför avslappnings- och fingerövningar som ökar blodgenomströmningen i fingrarna.
- ▶ Elverkytet är inte avsett att användas av personer med nedsatt förmåga eller som saknar nödvändig kunskap.
- ▶ Sätt inte på elverkytet förrän du befinner dig på arbetsplatsen och verktyget är i arbetsposition.
- ▶ Ta ur batteriet när det uppstår problem med elverkytet, när du byter insatsverktyg eller tillbehör samt vid förvaring och transport.
- ▶ Håll inte elverkytet ovanför huvudet när du arbetar med det.
- ▶ Försök inte att bromsa elverkytet genom att trycka mot sågklingan från sidan.
- ▶ Kontrollera att sågen är frånkopplad och att tillkopplingsspärren är aktiverad innan du sätter i batteri. På så sätt undviker du skador till följd av att elverkytet startas oavsiktligt.
- ▶ Rör inte vid späninflänsen eller spännskruven när elverkytet är igång.
- ▶ Vänta tills sågklingan har stannat helt innan du lägger ifrån dig verktyget.
- ▶ Vänta tills elverkytet har svalnat innan du byter insatsverktyg.
- ▶ Manövrera aldrig spindellåsningen när sågklingan roterar.
- ▶ Rikta inte elverkytet mot någon person.
- ▶ Tillkopplingsspärren måste alltid vara aktiverad när du byter tillbehör eller batteri, vid transport eller vid förvaring av elverkytet.



- ▶ Använd alltid en sågklinga som är anpassad för arbetsstyckets material och egenskaper.
- ▶ Montera aldrig någon form av slipskivor på elverktyget.
- ▶ Elverktyget ska alltid vara påslaget när det förs mot arbetsstycket.
- ▶ Anpassa frammatningen efter sågklingan och det material som bearbetas. På så sätt förhindrar du att sågklingan fastnar och orsakar eventuellt bakslag.
- ▶ Undvik överhettning av sågtändernas spetsar.
- ▶ Tillåtet varvtal för insatsverktyget måste vara minst så högt som det högsta varvtal som anges på elverktyget. Tillbehör som roterar snabbare än tillåtet kan brytas sönder och sprätta iväg.
- ▶ Arbeta inte i utrymmen med mycket damm.
- ▶ Damm som uppstår vid slipning, polering, kapning och borring kan innehålla farliga kemikalier. Exempel på sådana är: bly eller blybaserade färger, tegel, betong och andra murverksprodukter, natursten och andra produkter som innehåller silikat, vissa träslag som ek och bok samt kemiskt behandlat trä, asbest eller material som innehåller asbest. Fastställ exponeringen för användaren och personer i närheten av arbetsområdet genom att kontrollera vilken riskklass det material som ska bearbetas tillhör. Vidta nödvändiga åtgärder för att hålla exponeringen på en säker nivå. Använd t.ex. ett dammuppsamlingsystem eller bär lämpligt andningsskydd. Allmänna åtgärder för att minska exponeringen är:
 - ▶ Arbeta i ett välventilerat utrymme,
 - ▶ Undvik längre kontakt med damm,
 - ▶ Led bort damm från ansiktet och kroppen,
 - ▶ Bär skyddskläder och tvätta exponerade områden med tvål och vatten.
- ▶ Alla personer som befinner sig i arbetsområdet ska bära andningsskydd som uppfyller tillämpliga krav.
- ▶ Alla personer som befinner sig i arbetsområdet ska under användning av elverktyget bära tillämpliga skyddsglasögon, skyddshjälm, hörselskydd, skyddshandskar och skyddsskor.
- ▶ Ta bort de dammpartiklar som har uppstått innan arbetet i riskklassen startas. Använd en byggdammugare med en standardskyddsklassificering som motsvarar de lokala dammskyddsbestämmelserna.
- ▶ Observera de nationella arbetskyddsföreskrifterna.
- ▶ Använd fastspänningsanordningar eller se på annat praktiskt sätt till att arbetsstycket hålls på plats i ett stabilt läge. Att bara hålla arbetsstycket på plats med händerna eller kroppen är inte stabilt och kan leda till att du tappar kontroll över arbetsstycket. Låt inte någon annan hålla arbetsstycket på plats.
- ▶ Säg inte i okända underlag och håll såglinjen fri från hinder på både ovan- och undersidan. Om sågklingan stöter på ett hårt föremål kan det ge en rekyl upp i elverktyget.
- ▶ Risk för personskada på grund av nedfallande verktyg och/eller tillbehör. Innan arbetet påbörjas ska du kontrollera att det monterade tillbehöret är korrekt fastsatt.
- ▶ Undvik att vidröra dammskyddet och dammsugarslangen vid sågning med stoftavskiljare. Material med stark dammutveckling kan innebära högre risk för stötar från statisk elektricitet.
- ▶ Kontrollera att det inte finns några hinder i sågbanan som t.ex. spikar, skruvar eller andra metalldelar.
- ▶ Använd uteslutande de sågklingor som **Hilti** rekommenderar och som uppfyller standarden EN 847-1.
- ▶ Var försiktig vid sågning av plast så att arbetsstycket inte överhettas och smälter.

Elsäkerhet

- ▶ Kontrollera arbetsområdet i förväg, om där finns dolda elledningar, gas- och vattenledningar, med t.ex. en metalldetektor. Elverktygets yttre metalldelar kan bli spänningsförande om du t.ex. råkar skada en elledning. Det finns då en ökad risk för elstötar.

2.4 Omsorgsfull hantering och användning av batterier

- ▶ **Observera följande säkerhetsanvisningar för säker hantering och användning av litiumjonbatterier.** Om åtgärderna inte följs kan det leda till hudirritation, svåra frätskador, kemiska brännskador, bränder och/eller explosioner.
- ▶ Använd endast batterier som är fullt funktionsdugliga.
- ▶ Hantera batterierna varsamt för att undvika skador och läckage av hälsovådliga syror!
- ▶ Batterier får absolut inte modifieras eller manipuleras!
- ▶ Batterier får inte tas isär, klämmas, upphettas till mer än 80 °C (176 °F) eller brännas upp.
- ▶ Använd inte och ladda inte batterier som har utsatts för slag eller på annat sätt är skadade. Kontrollera batterierna regelbundet för att se om de uppvisar tecken på skador.
- ▶ Använd aldrig återvunna eller reparerade batterier.
- ▶ Använd aldrig batteriet eller ett batteridrivet elverktyg som slagverktyg.
- ▶ Utsätt aldrig batterierna för direkt solljus, förhöjda temperaturer, gnistor eller öppna lågor. Detta kan leda till explosioner.



- ▶ Rör inte batteripolerna med dina fingrar, verktyg, smycken eller andra elektriskt ledande föremål av metall. Detta kan skada batteriet och orsaka såväl materiella skador som personskador.
- ▶ Håll batterierna borta från regn, väta och vätskor. Fukt som tränger sig in kan orsaka kortslutningar, elstötar, brännskador och explosioner.
- ▶ Använd endast batteriladdare och elverktyg som är avsedda för denna typ av batteri. Läs också igenom uppgifterna i motsvarande bruksanvisning.
- ▶ Använd inte och förvara inte batteriet i explosionsfarliga miljöer.
- ▶ Om batteriet är så hett att du inte kan ta i det kan det vara defekt. Ställ batteriet på en plats där inget riskerar att fatta eld och på betryggande avstånd från brännbart material. Låt batteriet svalna. Om batteriet efter en timme fortfarande är så hett att det inte går att ta i är det defekt. Kontakta **Hilti-service** eller läs dokumentet "Säkerhetsanvisningar vid användning av **Hilti** litiumjonbatterier".

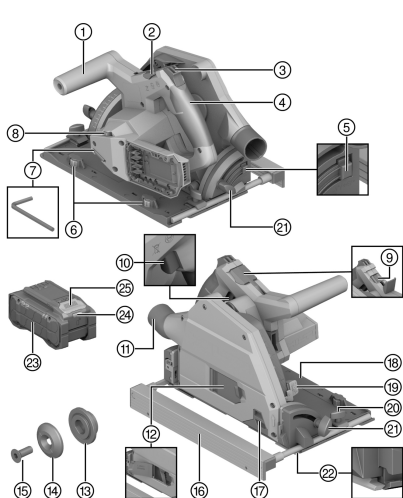


Följ de särskilda föreskrifter som gäller för transport, förvaring och användning av litiumjonbatterier. 66

Läs säkerhetsanvisningarna för användning av **Hilti** litiumjonbatterier som du hittar genom att skanna QR-koden i slutet av denna bruksanvisning.

3 Beskrivning

3.1 Produktöversikt



- ① Extra handtag
- ② Låsspak sågklingsbyte
- ③ Tillkopplingsspår
- ④ Huvudhandtag
- ⑤ Frigöringsknapp sågvinkel -1° och 47°
- ⑥ Tumhjul spelutjämning (Spel mellan styrskena och styrspår i bottenplattan)
- ⑦ Sexkantsnyckel
- ⑧ Tumhjul sågklingans varvtal
- ⑨ Spindellåsning
- ⑩ Strömbrytare
- ⑪ Spånutkast/anslutningsstycke
- ⑫ Monteringslucka för sågklingsbyte
- ⑬ Stödbricka
- ⑭ Spännfläns
- ⑮ Spännskruv
- ⑯ Parallellanslag
- ⑰ Skjutbart dammskyddsfönster
- ⑱ Bottenplatta
- ⑲ Inställning av skärdjup
- ⑳ Klämskruv parallellanslag
- ㉑ Klämskruv sågvinkelinställning
- ㉒ Adaptiv sågindikator
- ㉓ Batteri
- ㉔ Statusindikering för batteri
- ㉕ Batteriets upplåsningsknapp

3.2 Avsedd användning

Den beskrivna produkten är en batteridrivna sänkcirkelsåg. Den är uteslutande avsedd för sågning och instick i följande material:

- Trä och träliknande material
- Plast
- Gipsplattor
- Fibercementplattor



- Icke-järnmetaller

Produkten är utformad för snickeriarbeten och interiörarbeten.

Handcirkelsågen är utrustad med en anslutningsstos för stoftavskiljare (tillval) som passar till de vanligaste sugslangarna. En lämplig adapter kan behövas för att ansluta dammavskiljarslangen till sågen.

Använd endast sågklingor som är godkända för produkten och som motsvarar specifikationen i den tekniska informationen (t.ex. diameter, varvtal, tjocklek, material, m.m.). Slip- och kapskivor samt sågklingor av höglegerat snabbstål (HSS-stål) är inte tillåtna.

Såga endast jämna arbetsstycken som har en tillräckligt stor beryta för bottenplattan.

- Använd endast **Hiltis** litiumjonbatterier av typen B 22 med produkten. **Hilti** rekommenderar att de batterier som anges i tabellen i slutet av denna bruksanvisning används med produkten.
- Använd endast **Hiltis** batteriladdare från de typserier som anges i slutet av bruksanvisningen.

3.3 Leveransinnehåll

Batteridriven cirkelsåg, sågklinga, bruksanvisning



Dessutom finns fler systemprodukter för din produkt både i närmaste **Hilti Store** och på nätet: www.hilti.group

3.4 Indikering för litiumjonbatteriet

Hilti Nuron litiumjonbatterier kan visa laddningsstatus, felmeddelanden och batteristatus.

3.4.1 Visning av laddningsstatus och felmeddelanden



WARNING

Risk för personskada på grund av nedfallande batterier.

- ▶ När du har satt i batteriet och tryckt ner frigöringsknappen, kontrollera att batteriet har hakat i korrekt i verktyget igen.

För att visa följande indikeringar, tryck ner batteriets frigöringsknapp.

Laddningsstatus och eventuella störningar visas så länge den anslutna produkten är påslagen.

Status	Betydelse
Fyra (4) lysdioder lyser med fast grönt sken	Laddningsstatus: 100 % till 71 %
Tre (3) lysdioder lyser med fast grönt sken	Laddningsstatus: 70 % till 51 %
Två (2) lysdioder lyser med fast grönt sken	Laddningsstatus: 50 % till 26 %
En (1) lysdiod lyser med fast grönt sken	Laddningsstatus: 25 % till 10 %
En (1) lysdiod blinkar långsamt grönt	Laddningsstatus: < 10 %
En (1) lysdiod blinkar snabbt grönt	Litiumjonbatteriet är helt urladdat. Ladda batteriet. Kontakta Hilti-service om lysdioden fortfarande blinkar snabbt efter att batteriet har laddats.
En (1) lysdiod blinkar snabbt gult	Litiumjonbatteriet eller den anslutna produkten är överbelastad, för varm, för kall eller så föreligger ett annat fel. Ställ in produkten och batteriet på den rekommenderade arbetstemperaturen och undvik att överbelasta produkten vid användning. Kontakta Hilti-service om meddelandet kvarstår.
En (1) lysdiod lyser gult	Litiumjonbatteriet och produkten är inte kompatibla med varandra. Kontakta Hilti-service .
En (1) lysdiod blinkar snabbt rött	Litiumjonbatteriet är spärrat och kan inte användas. Kontakta Hilti-service .

3.4.2 Visning av batteristatus

För att kontrollera batteriets status, håll frigöringsknappen nedtryckt i minst tre sekunder. Systemet registrerar inga potentiella funktionsfel i batteriet till följd av missbruk som t.ex. fall, punkteringsskador, externa värmeskador osv.



Status	Betydelse
Alla lysdioder lyser i turordning och därefter lyser en (1) lysdiod grönt.	Batteriet kan fortfarande användas.
Alla lysdioder lyser i turordning och därefter blinkar en (1) lysdiod snabbt gult.	Begäran om batteristatus kunde inte slutföras. Upprepa proceduren eller kontakta Hilti -service.
Alla lysdioder lyser i turordning och därefter lyser en (1) lysdiod med fast rött sken.	Om en ansluten produkt kan fortsätta användas är den kvarvarande batterikapaciteten under 50 %. Om en ansluten produkt inte kan användas längre har batteriet nått slutet på sin livslängd och måste bytas ut. Kontakta Hilti -service.

4 Teknisk information

4.1 Produktgenskaper

	SC 6WP-22
Produktgeneration	01
Vikt	3,3 kg (enligt EPTA-Procedure 01 utan batteri)
Vikt (parallellanslag)	0,45 kg
Mått (L×B×H)	360 mm × 200 mm × 237 mm
Stambladstjocklek	1 mm ... 1,5 mm
Maximalt skärdjup	57 mm
Nominellt varvtal, obelastat	6 000 varv/min
Märkspänning	21,6 V

4.2 Sågbladstyper och användningsområden

Sågbladstyp	Bruksanvisning
Universalsågklinga Sågklinga för finsågning	Trä och träbaserade material
Sågklinga för fibercement	Fibercement eller fibercement-baserade material

4.3 Lager- och drifttemperatur

Förvaringstemperatur	-20 °C ... 70 °C
Omgivningstemperatur vid drift	-17 °C ... 60 °C

4.4 Batteri

Batteriets driftspänning	21,6 V
Batteriets vikt	Se slutet av denna bruksanvisning
Omgivningstemperatur vid drift	-17 °C ... 60 °C
Förvaringstemperatur	-20 °C ... 40 °C
Batteritemperatur när laddningen påbörjas	-10 °C ... 45 °C

4.5 Bullerinformation och vibrationsvärden

De ljudtrycks- och vibrationsvärden som anges i anvisningarna har uppmätts med en standardiserad mätmetod och kan användas för att jämföra olika elverktyg med varandra. De kan också användas för att göra en preliminär uppskattning av exponeringarna.



De angivna värdena representerar elverktygets huvudsakliga användning. När elverktyget begagnas inom andra områden, med andra insatsverktyg eller med otillräckligt underhåll, kan mätning ge avvikande värden. Det innebär att exponeringen under den totala arbetstiden kan ökas betydligt.

För att uppskattningen av exponeringarna ska bli exakt bör man också räkna in de tider då elverktyget är avstängt eller då det är påslaget men inte används. Det kan betydligt minska exponeringen under den totala arbetstiden.

Vidta även andra säkerhetsåtgärder för att skydda användaren mot effekterna av buller och vibrationer, exempelvis: underhåll av elverktyg och insatsverktyg, möjlighet att hålla händerna varma, välorganiserade arbetsförlopp.



Detaljerad information om de versioner som tillämpas av **EN 62841**-standarderna hittar du på bilden av försäkran om överensstämmelse 312.

Bullerinformation

Ljudeffektnivå (L_{WA})	106 dB(A)
Osäkerhet ljudeffektnivå (K_{WA})	3 dB(A)
Ljudtrycksnivå (L_{pA})	98 dB(A)
Osäkerhet ljudtrycksnivå (K_{pA})	3 dB(A)

Sammanlagt vibrationsvärde

Sågning i spånskiva ($a_{h,w}$)	B 22-55	0,9 m/s ²
Sågning i aluminiumplåt ($a_{h,m}$)	B 22-55	1,7 m/s ²
Osäkerhet (K)		1,5 m/s ²

5 Förberedelser för arbete



VARNING

Risk för personskada till följd av oavsiktlig start!

- ▶ Kontrollera att produkten är avstängd innan du sätter in batteriet.
- ▶ Ta alltid bort batteriet innan du gör några inställningar på verktyget eller byter tillbehörsdelar.

Observera de säkerhets- och varningsanvisningar som du hittar i dokumentationen och på själva enheten.

5.1 Laddning av batteri

1. Läs batteriladdarens bruksanvisning innan du laddar batteriet.
2. Se till att batteriets och batteriladdarens sladdar är rena och torra.
3. Ladda batteriet i en godkänd batteriladdare. 58

5.2 Sätta in batteriet



VARNING

Risk för personskada på grund av kortslutning eller nedfallande batteri!

- ▶ Kontrollera innan du sätter in batteriet i produkten att både batteriets och produktens kontakter är fria från smuts och andra hinder.
- ▶ Säkerställ att batteriet alltid hakar i ordentligt.

1. Ladda batterierna helt innan de används första gången.
2. Skjut in batteriet i produkten tills det hakar i med ett klick.
3. Kontrollera att batteriet sitter stadigt.

5.3 Ta ut batteriet

1. Tryck in upplåsningsknappen till batteriet.
2. Dra ut batteriet ur produkten.



5.4 Fallskydd 2

VARNING

Risk för personskada på grund av nedfallande verktyg och/eller tillbehör!

- ▶ Använd bara den **Hilti**-verktygslina som är rekommenderad för din produkt.
- ▶ Kontrollera om verktygslinans fästpunkt är skadad inför varje användning.



Observera nationella föreskrifter för arbeten på höga höjder.

Använd uteslutande **Hilti** verktygslina #2261971 som fallskydd för denna produkt.

- ▶ Fäst verktygslinan med öglan på produkten så som bilden visar. Kontrollera att det sitter stadigt fast.
- ▶ Fäst karbinhaken i en bärande struktur. Kontrollera att karbinhaken sitter fast ordentligt.



Följ bruksanvisningen till **Hilti** verktygslina.

5.5 Ställa sänkenheten i monteringsläge 3



I sänkenhetens monteringsläge är det möjligt att komma åt spännskruven via monteringsfönstret. Monteringsläget kan ställas in med låsspaken.

När du faller tillbaka låsspaken (grundläget) skjuts sänkenheten tillbaka. Håll produkten i huvudhandtaget för att föra sänkenheten till utgångsläget på ett kontrollerat vis.


1. Placera produkten så att du kan arbeta med maximalt skärddjup (t.ex. vid en bordskant).
2. Öppna monteringsluckan för montering av sågklingan.
3. Ställ skärddjupsinställningsindikator på maxvärdet **(1)**.
4. Fäll låsspaken uppåt (monteringsläget) **(2)**.
5. Håll tillkopplingsspärren **(3)** nedtryckt och sänk ner sänkenheten i monteringsläget.
 - ▶ Sänkenheten hakar fast i monteringsläget.
 - ▶ Spännskruven är synligt centrerad i monteringsfönstret.

5.6 Demontering av sågklinga 4

VARNING

Risk för bränn- och skärskador om du vidrör sågklingan, spännskruven eller spännflänsen Det kan leda till brännskador och skärskador.

- ▶ Du bör använda skyddshandskar när du byter tillbehör.

1. Ställ sänkenheten i monteringsläget.  62
2. Tryck och håll in spindellåsningen **(1)**.
3. Lossa spännskruven med insexnyckeln **(2)**.



Använd rotationsriktningsspilen för att orientera dig: Spännskruven lossas i sågklingans rotationsriktning.

4. Ta bort spännskruven och spännflänsen.
5. Ta ut sågklingan nedåt ur klingskyddet.




Stödbrickan kan vid behov avlägsnas för rengöring.

5.7 Montering av sågklinga 5, 6

Kontrollera att sågklingan som ska spännas uppfyller de tekniska kraven och att den är slipad. En vass sågklinga är nödvändig för ett felfritt snitt.

Välj vid varje tillfälle den sågklinga som lämpar sig bäst för det aktuella materialet.

1. Ställ sänkenheten i monteringsläget.  62



2. Rengör stödbrickan och spännflänsen (1).
3. Montera stödbrickan med korrekt orientering på drivspindeln.
4. Sätt i den nya sågklingan (2).
 - ▶ Observera rotationsriktningsspilen på sågklingan (3) och klingskyddet (4). Båda rotationsriktningsspilarna måste vara vända åt samma håll.
5. Sätt dit spännflänsen vänd åt rätt håll.
6. Skruva dit spännskraven.
7. Tryck och håll in spindellåsningen (5).
8. Dra åt spännskraven med insexnyckeln (6).



Använd rotationsriktningsspilen för att orientera dig: Spännskraven dras åt i motsatt riktning jämfört med sågklingans rotationsriktning.

9. Kontrollera att sågklingan sitter fast ordentligt.
10. Håll produkten i huvudhandtaget.
11. Ställ låsspaken i utgångsläget och sväng tillbaka sänkenheten till utgångsläget (7).
12. Stäng monteringsluckan för montering av sågklingan.

5.8 Skjutbart dammskyddsfönster

För dammskyddsfönstret så nära arbetsstycket som möjligt för optimal dammuppsugning.

5.9 Ställa in skärdjup 7



Snittdjupet ska alltid vara ca 5 till 10 mm större än tjockleken på materialet som ska sågas.

1. Håll ner låsspärren för skärdjupsinställningen (1).
2. Skjut reglaget till önskat skärdjup (2).
 - ▶ Skärdjupsindikatorn har separata indikeringar för kapningar med styrskena (3) och kapningar utan styrskena (4).
3. Släpp låsspärren för skärdjupsinställningen.

5.10 Ställ in sågvinkel för geringssnitt 8



• Undvik avvikande vinkelinställningar fram och bak genom att vid åtdragning inte utöva något tryck på extrahandtaget eller sågen. Om vinkelinställningarna avviker från varandra blir kapningen inte rak.

1. Lossa de två klämskraven för sågvinkelinställning (1)
2. Sväng produkten till önskad sågvinkel.
 - ▶ Om du vill ställa in en vinkel på -1° eller över 45° (max. 47°) håller du ner frigöringsknappen (2).
3. Dra åt en av de två klämskraven för sågvinkelinställning.
4. Dra åt den motsatta klämskraven för sågvinkelinställning.

5.11 Ställa in sågklingans varvtal 9

Använd alltid ett varvtal som lämpar sig för sågklingan som ska användas och materialet som ska bearbetas. Genom att välja rätt varvtal undviker du att sågtänderna överhettas och förlänger därmed sågklingans livstid.

- ▶ Vrid varvtalshjulet till önskat läge.

5.12 Montera parallellanslag 9



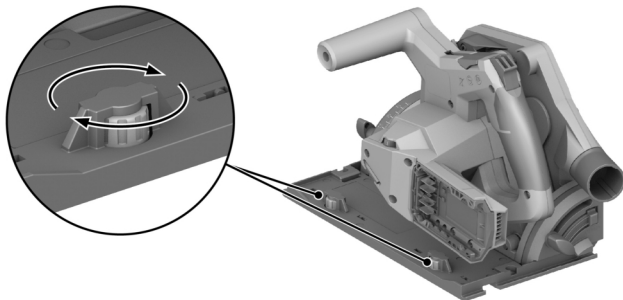
Parallellanslaget fyller olika funktioner beroende på hur det är monterat:

- L-formad kant pekar nedåt:
Parallellanslag för konstant kapning längs en kant.
- L-formad kant pekar uppåt:
Utökning av bottenplattan för stabilare styrning vid kapning utan styrskena.



1. Lossa båda klämskruvarna.
2. Skjut in parallellslaget i bottenplattans monteringsanordning.
3. Ställ in parallellslaget för det avstånd krävs för kapningen.
 - ▶ Se till att avstånden är lika stora på båda sidor.
4. Dra åt de båda klämskruvarna.

5.13 Positionera produkten på styrskenan



1. Sätt produkten med spåret i bottenplattan på styrskenans kam.
2. Kontrollera avståndet mellan styrskenan och bottenplattan.
3. Justera avståndet med excenterskruvarna (1):
 - ▶ Minska avståndet genom att vrida excenterskruvarna medurs.
 - ▶ Öka avståndet genom att vrida excenterskruvarna moturs.
4. Ställ in ett så litet avstånd som möjligt utan att glidrörelsen påverkas.

6 Användning

Observera de säkerhets- och varningsanvisningar som du hittar i dokumentationen och på själva enheten.

6.1 Sätta på eller stänga av

Tillkoppling

1. Tryck tillkopplingsspärren uppåt och håll kvar den.
2. Tryck och håll in strömbrytaren.
3. Släpp tillkopplingsspärren.



Tillkopplingsspärren stannar i det öppna läget så länge strömbrytaren är nedtryckt eller sänkenheten är i ett sänkläge. Tillkopplingsspärren ställs automatiskt i det spärrade läget när sänkenheten återgår till grundläget och när du släpper strömbrytaren.

Frånkoppling

4. Ställ tillbaka sänkenheten i grundläget.
5. Släpp på/av-knappen.

6.2 Damm- och spånhantering

- Sågning med **stoftavskiljare**:
Anslut dammsugarslangen till utsugsanslutningen och följ anvisningarna i stoftavskiljarens bruksanvisning.
- Sågning med **dampåse**:
Sätt dampåsen med adaptorn i utsugsanslutningen för stoftavskiljare.



Du kan också använda produkten utan dammuppsamlingsmetod. Säkerställ att sågdamm och spån kan ledas bort utan hinder.



6.3 Såga med rits **11**



Såga endast jämna arbetsstycken som har en tillräckligt stor bäryta för bottenplattan.

1. Säkra arbetsstycket så att det inte kan flytta sig och markera sågbanan (ritsmarkering).
2. Ställ in skärdjupet. 63
3. Placera produkten med den adaptiva sågindikatorn mot ritslinjen.
4. Sätt på produkten. 64
 - Produktens sänkrörelse kan bara utföras när strömbrytaren inte är spärrad.
5. Sänk ner sänkenheten i arbetsstycket ända till anslaget **(1)**.
6. För produkten genom arbetsstycket i lämpligt tempo.
7. Sväng tillbaka sänkenheten till grundläget medan sågklingan arbetar **(2)**.



På så sätt förhindrar du att sågklingan fastnar i arbetsstycket.

8. Stäng av produkten när sänkenheten är i grundläget. 64

6.4 Utföra instick

1. Ställ in skärdjupet. 63
2. Placera produkten mot arbetsstycket.
3. Sätt på produkten. 64
 - Produktens sänkrörelse kan bara utföras när strömbrytaren inte är spärrad.
4. Sänk ner produkten i arbetsstycket ända till anslaget.
5. För produkten genom arbetsstycket i lämpligt tempo.
6. Vrid upp produkten ur arbetsstycket.
7. Stäng av produkten när sänkenheten är i grundläget. 64

6.5 Utföra geringssnitt (vinkelkapning)



Produkten är utrustad med en adaptiv sågindikator som automatiskt anpassar sig till den inställda sågvinkeln. Den adaptiva sågindikatorn används enbart vid kapning utan styrskena. Vid kapning med styrskena är såglinjen konstruktionsmässigt frikopplad från sågvinkeln.

1. Ställ in sågvinkeln för geringssnitt. 63
2. Placera produkten med den adaptiva sågindikatorn mot ritslinjen.
3. Sätt på produkten. 64
4. Sänk ner sänkenheten i arbetsstycket.
5. För produkten genom arbetsstycket längs styrskenan.

6.6 Sågsnitt med styrskena **10**

1. Fäst styrskenan med två skruvtving.
2. Sätt bottenplattan med spåret på styrskenans kam.
3. Ställ in sågvinkeln för geringssnitt. 63
4. Ställ in skärdjupet. 63
5. Sätt på produkten. 64
6. Sänk ner sänkenheten i arbetsstycket.
7. För produkten genom arbetsstycket längs styrskenan.

7 Skötsel och underhåll



VARNING

Risk för personskada vid anslutet batteri !

- Ta alltid bort batteriet innan skötsel och underhåll utförs!



Skötsel av produkten


- Ta försiktigt bort smuts som sitter fast.
- Rengör ventilationsspringorna försiktigt med en torr och mjuk borste i förekommande fall.
- Rengör höljet bara med en lätt fuktad trasa. Använd inte rengöringsmedel med silikon, eftersom det kan skada plastdelarna.
- Använd en ren och torr trasa för att rengöra produktens kontakter.

Skötsel av litiumjonbatterier

- Använd aldrig ett batteri med tilltäppta ventilationsspringor. Rengör ventilationsspringorna försiktigt med en torr och mjuk borste.
- Undvik att utsätta batteriet för onödigt mycket damm eller smuts. Utsätt aldrig batteriet för hög fukt (t.ex. genom att sänka ner det i vatten eller låta det stå i regnet). Om ett batteri har blivit genomblött ska det hanteras som ett skadat batteri. Förvara det i en brandsäker behållare och kontakta **Hilti-service**.
- Håll batteriet fritt från främmande olja och fett. Låt inte onödigt mycket damm eller smuts ansamlas på batteriet. Rengör batteriet med en mjuk borste eller en ren och torr trasa. Använd inte rengöringsmedel med silikon, eftersom det kan skada plastdelarna. Rör inte vid batteriets kontakter och ta inte bort fett på kontakterna som har applicerats i fabriken.
- Rengör höljet bara med en lätt fuktad trasa. Använd inte rengöringsmedel med silikon, eftersom det kan skada plastdelarna.

Underhåll

- Kontrollera regelbundet att inga synliga delar har skadats och att alla reglage fungerar som de ska.
- Använd inte produkten om den uppvisar skador eller funktionsstörningar. Låt **Hilti Service** reparera produkten omgående.
- Efter skötsel- och underhållsarbeten ska alla skyddsanordningar monteras igen och kontrolleras.

 Använd endast originalreservdelar och förbrukningsmaterial för säker drift. Godkända reservdelar, förbrukningsmaterial och tillbehör till din produkt från **Hilti** hittar du i närmaste **Hilti Store** eller på: www.hilti.group

7.1 Rengöring av skyddsanordning

1. Rengör skydden försiktigt med en torr borste.
2. Ta bort avlagringar och sågspån inuti skyddsanordningarna med något lämpligt verktyg.

7.2 Rengör spånkanalen

1. Om du har monterat en softavskiljare på utsugsanslutningen tar du bort dammsugarlangan från utsugsanslutningen.
2. Rengör spånkanalen med en borste.

8 Transport och förvaring av sladdlösa verktyg och batterier

Transport

FÖRSIKTIGHET

Oavsiktlig start under transport. !

- ▶ Transportera alltid produkten utan insatta batterier.
- ▶ Ta ut batteriet/batterierna.
- ▶ Transportera aldrig batterierna löst liggande. Under transport ska batterierna skyddas mot alltför hårda stötar och vibrationer samt hållas isolerade från eventuella ledande material eller andra batterier så att de inte kommer i kontakt med andra batteripoler och orsakar en kortslutning. **Observera lokala transportföreskrifter för batterier.**
- ▶ Batterier får inte skickas per post. Vänd dig till ett fraktbolag om du vill skicka intakta batterier.
- ▶ Kontrollera produkt och batterier före varje användning samt före och efter längre transport för att se till att de inte är skadade.



Förvaring



VARNING

Oavsiktlig skada på grund av trasiga eller läckande batterier. !

- ▶ Förvara alltid produkten utan insatta batterier.
-
- ▶ Förvara produkt och batterier svalt och torrt. Följ de temperaturgränsvärden som anges i den tekniska informationen.
 - ▶ Förvara inte batterierna i batteriladdaren. Ta alltid ur batteriet ur laddaren när laddningen är klar.
 - ▶ Förvara aldrig batterier i solen, på värmekällor eller bakom glas.
 - ▶ Förvara produkt och batteri utom räckhåll för barn och obehöriga personer.
 - ▶ Kontrollera produkt och batterier före varje användning samt före och efter längre tids förvaring för att se till att de inte är skadade.

9 Felsökning

Observera batteriets statusindikering vid alla störningar. Se kapitel **Indikeringar för litiumjonbatteri**.



Kontakta **Hilti**-service om det uppstår ett fel som inte finns med i den här tabellen eller som du inte lyckas åtgärda på egen hand.

Fel	Möjlig orsak	Lösning
På/av-knappen kan inte tryckas in resp. är spärrad.	Inga fel (säkerhetsfunktion).	▶ Tryck in tillkopplingsspärren.
Varvtalet sjunker plötsligt.	Batteriet är urladdat. För stark frammatning.	▶ Ladda batteriet. ▶ Minska frammatningen och koppla till produkten igen.
Ingen eller nedsatt sugeffekt	Spånkanalen igensatt.	▶ Rengör spånkanalen. 66
Produkten slås inte på automatiskt efter det att sågklingan har fastnat.	Överlastskyddet utlöses.	▶ Tryck på tillkopplingsspärren och strömbrytaren igen.
Batteriet hakar inte i med ett hörbart klick.	Batteriets låsmekanism är smutsig.	▶ Rengör låsmekanismen och sätt i batteriet igen.
Produkten vibrerar starkare än normalt.	Sågklingan är felaktigt monterad.	▶ Demontera sågklingan och montera den på nytt.
Batteriets lysdioder indikerar ingenting	Batteriet är defekt	▶ Vänd dig till Hilti -service.

10 Avfallshantering



VARNING

Risk för personskada på grund av felaktig avfallshantering! Hälsorisk på grund av läckande gaser eller syror.

- ▶ Skicka aldrig iväg skadade batterier!
- ▶ Täck anslutningarna med ett icke ledande material för att förhindra kortslutningar.
- ▶ Kassera batterier så att de inte kan hamna i händerna på barn.
- ▶ Kassera batteriet hos din **Hilti Store** eller vänd dig till närmaste återvinningscentral.



Hilti-produkter är till stor del tillverkade av återvinningsbara material. En förutsättning för återvinning är att materialen separeras på rätt sätt. I många länder tar **Hilti** tillbaka din gamla enhet för återvinning. Fråga **Hilti** kundservice eller din säljare.



- ▶ Kasta inte elverktyg, elektronisk apparatur och batterier i hushållssoporna.



11 Tillverkargaranti

- ▶ Vänd dig till din lokala **Hilti**-representant om du har frågor om garantivillkoren.

12 Ytterligare information


Ytterligare information om drift, teknik, miljö och återvinning hittar du via följande länk: qr.hilti.com/manual?id=2276609&id=2276671

Länken finns också som en QR-kod i slutet av dokumentationen.

Original bruksanvisning

1 Informasjon om bruksanvisningen

1.1 Om denne bruksanvisningen

- **Advarsel!** Før du tar i bruk produktet må du sørge for å ha lest og forstått den medfølgende bruksanvisningen, herunder instruksjonene, sikkerhets- og varselinformasjon, illustrasjoner og spesifikasjoner. Gjør deg særlig kjent med alle instruksjoner, sikkerhets- og varselinformasjon, illustrasjoner, spesifikasjoner samt deler og funksjoner. Ved manglende overholdelse er det fare for elektrisk støt, brann og/eller for alvorlige personskader. Oppbevar bruksanvisningen med alle instruksjoner, sikkerhets- og varselinformasjon for senere bruk.
- **HILTI**-produkter er laget for profesjonell bruk og må kun brukes, vedlikeholdes og repareres av kyndig personale. Dette personalet må informeres spesielt om eventuelle farer som kan oppstå. Produktet og tilleggsutstyret kan utgjøre en fare hvis det betjenes av ukvalifisert personale eller ikke brukes på tiltenkt måte.
- Den medfølgende bruksanvisningen er i tråd med det aktuelle tekniske nivået på trykketidspunktet. Du finner alltid den mest oppdaterte versjonen på nettet på Hiltis produktside. Følg lenken eller QR-koden i denne bruksanvisningen, merket med symbolet .
- Pass på at bruksanvisningen følger med produktet når det overlates til andre personer.

1.2 Symbolforklaring

1.2.1 Farehenvvisninger

Farehenvvisninger advarer mot farer under håndtering av produktet. Følgende signalord brukes:

FARE

FARE !

- ▶ For en umiddelbart truende fare som kan føre til alvorlige personskader eller død.

ADVARSEL

ADVARSEL !

- ▶ Varsler en mulig fare som kan føre til alvorlige personskader eller død.




FORSIKTIG

FORSIKTIG !

- ▶ Varsler om en mulig farlig situasjon som kan føre til personskade eller materiell skade.

1.2.2 Symboler i bruksanvisningen

Følgende symboler benyttes i denne bruksanvisningen:

	Følg bruksanvisningen
	Bruksanvisninger og andre nyttige opplysninger
	Håndtering av resirkulerbare materialer



	Ikke kast elektriske apparater eller batterier i husholdningsavfallet
	Hilti li-Ion-batteri
	Hilti Lader

1.2.3 Symboler i illustrasjoner

Følgende symboler brukes i illustrasjonene:

	Disse tallene viser til illustrasjonen i begynnelsen av denne bruksanvisningen.
3	Nummereringen angir rekkefølgen for arbeidstrinnene på bildet og kan avvike fra arbeidstrinnene i teksten.
	Posisjonsnumrene brukes i illustrasjonen Oversikt og henviser til numrene på teksten i avsnittet Produktoversikt .
	Dette symbolet betyr at håndtering av produktet krever stor grad av oppmerksomhet.

1.3 Produktavhengige symboler

1.3.1 Generelle symboler

Symboler som benyttes på produktet.

n_0	Nominelt tomgangsturtall
	Likestrøm
	Rotasjonsretningspil
RPM	Omdreininger per minutt
\emptyset	Diameter
	Sagblad
	Produktet støtter trådløs dataoverføring som er kompatibel med iOS- og Android-plattformer.
	Dersom produktet er utstyrt med dette, er produktet sertifisert av et sertifiseringsorgan for det amerikanske og canadiske markedet i henhold til gjeldende normer.
Li-Ion	Li-ion-batteri
	Bruk aldri batteriet som slagverktøy.
	Ikke mist ned batteriet. Ikke bruk et batteri som har vært utsatt for støt eller er skadet på annen måte.

1.3.2 Sikkerhetssymbol

Følgende sikkerhetssymboler brukes på produktet:

	Bruk vernebriller
--	-------------------

2 Sikkerhet

2.1 Generelle sikkerhetsregler for elektroverktøy

⚠ ADVARSEL Les alle sikkerhetsanvisninger, instruksjer, illustrasjoner og tekniske data som elektroverktøyet er utstyrt med. Manglende overholdelse av anvisningene nedenfor kan medføre elektrisk støt, brann og/eller alvorlige personskader.

Overhold alle sikkerhetsanvisninger og instruksjoner i hele bruksperioden.



Begrepet "elektroverktøy" som er brukt i sikkerhetsanvisningene, viser til nettdrevne elektroverktøy (med nettkabel) eller til batteridrevne elektroverktøy (uten nettkabel).

Sikkerhet på arbeidsplassen

- ▶ **Hold arbeidsområdet rent og godt opplyst.** Rotete eller dårlig belyste arbeidsområder kan føre til ulykker.
- ▶ **Bruk ikke elektroverktøyet i eksplosjonsfarlige omgivelser hvor det befinner seg brennbare flytende stoffer, gasser eller støv.** Elektroverktøy lager gnister som kan antenne støv eller damp.
- ▶ **Hold barn og andre personer på sikker avstand mens elektroverktøyet brukes.** Hvis du blir forstyrret under arbeidet, kan du miste kontrollen over verktøyet.

Elektrisk sikkerhet

- ▶ **Elektroverktøyets støpsele må passe i stikkkontakten. Støpselet må ikke forandres på noen som helst måte. Bruk ikke adapterkontakt på jordete elektroverktøy.** Uendrede støpsler og egnede stikkontakter minsker risikoen for elektrisk støt.
- ▶ **Unngå kroppskontakt med jordete overflater som rør, radiatorer, komfyrer eller kjøleskap.** Risikoen for elektriske støt er høyere når kroppen er jordet.
- ▶ **Hold elektroverktøyet unna regn og fuktighet.** Risikoen for elektrisk støt øker ved inntrenging av vann i et elektroverktøy.
- ▶ **Bruk ikke ledningen til å bære elektroverktøyet, henge det opp eller til å dra støpselet ut av stikkkontakten. Hold ledningen unna varme, olje, skarpe kanter og deler som beveger seg.** Skadde eller sammenviklede ledninger øker risikoen for elektriske støt.
- ▶ **Bruk kun skjøteledninger som også er godkjent for utendørs bruk når du arbeider med et elektroverktøy utendørs.** Bruk av skjøteledning som er egnet til utendørs bruk, minsker risikoen for elektrisk støt.
- ▶ **Må elektroverktøyet brukes i fuktige omgivelser, er det nødvendig å bruke en jordfeilbryter.** Bruk av en jordfeilbryter reduserer risikoen for elektrisk støt.

Personsikkerhet

- ▶ **Vær oppmerksom, pass på hva du gjør, og gå fornuftig fram under arbeidet med et elektroverktøy. Ikke bruk elektroverktøy når du er trøtt eller påvirket narkotika, alkohol eller medikamenter.** Et øyeblikks uoppmerksomhet ved bruk av elektroverktøyet kan være nok til å forårsake alvorlige personskader.
- ▶ **Bruk alltid personlig verneutstyr og vernebriller.** Bruk av personlig verneutstyr som støvmaske, sklisikre vernesko, hjelm eller hørselsvern – avhengig av type og bruk av elektroverktøyet – reduserer risikoen for skader.
- ▶ **Unngå utilsiktet start. Forsikre deg om at elektroverktøyet er slått av før du setter i stikkkontakten eller batteriet og før du løfter eller flytter elektroverktøyet.** Hvis du holder fingeren på bryteren når du bærer elektroverktøyet, eller kobler elektroverktøyet til strøm i innkoblet tilstand, kan dette føre til uhell.
- ▶ **Fjern justeringsverktøy og skrunøkkel før du slår på elektroverktøyet.** Et verktøy eller en nøkkel som befinner seg i en roterende maskindel, kan føre til skader.
- ▶ **Unngå uhensiktsmessige arbeidsposisjoner. Sørg for å stå stødig og i balanse.** Dermed kan du kontrollere elektroverktøyet bedre i uventede situasjoner.
- ▶ **Bruk egnede klær. Ikke bruk vide klær eller smykker. Hold hår, tøy og hansker unna deler som beveger seg.** Løstsittende tøy, smykker eller langt hår kan komme inn i deler som beveger seg.
- ▶ **Hvis det er montert støvavsugs- og oppsamlingsinnretninger, må det kontrolleres at disse er koblet til og blir brukt på riktig måte.** Bruk av støvavsug kan redusere faremomentene i forbindelse med støv.
- ▶ **Ikke føl deg for trygg og ikke bryt sikkerhetsreglene for elektroverktøy, heller ikke når du etter lang tids bruk er blitt fortrolig med elektroverktøyet.** Et øyeblikks uaktsomhet kan føre til alvorlige personskader.

Bruk og behandling av elektroverktøyet

- ▶ **Ikke overbelast verktøyet. Bruk et elektroverktøy som er beregnet til den type arbeid du vil utføre.** Med et passende elektroverktøy arbeider du bedre og sikrer i det angitte effektområdet.
- ▶ **Ikke bruk elektroverktøy med defekt bryter.** Et elektroverktøy som ikke lenger kan slås av eller på, er farlig og må repareres.
- ▶ **Dra ut støpselet fra stikkkontakten og/eller ta ut et uttakbart batteri før du foretar maskininnstillinger, bytter tilleggsutstyr eller legger bort verktøyet.** Disse tiltakene forhindrer utilsiktet start av elektroverktøyet.
- ▶ **Oppbevar elektroverktøy som ikke brukes, utenfor barns rekkevidde. La ikke personer som ikke er fortrolige med verktøyet eller ikke har lest disse instruksjonene, bruke verktøyet.** Elektroverktøy er farlige når de brukes av uerfarne personer.



- ▶ **Sørg for grundig stell og vedlikehold av elektroverktøyet med tilbehør. Kontroller at bevegelige deler på elektroverktøyet fungerer feilfritt og ikke klemmes fast, og at ingen deler er brukt eller skadet, slik at dette innvirker på elektroverktøyet funksjon. La skadde deler repareres før elektroverktøyet brukes.** Mange ulykker er et resultat av dårlig vedlikeholdte elektroverktøy.
- ▶ **Hold skjæreverktøy skarpe og rene.** Godt vedlikeholdte skjæreverktøy med skarpe skjærekanten blir sjeldnere fastklemt og er lettere å styre.
- ▶ **Bruk elektroverktøy, tilbehør, arbeidsverktøy osv. i overensstemmelse med denne anvisningen. Ta hensyn til arbeidsforholdene og arbeidet som skal utføres.** Bruk av elektroverktøy til andre formål enn det som er angitt, kan føre til farlige situasjoner.
- ▶ **Hold håndtak og gripeflater tørre, rene og frie for olje og fett.** Glatte håndtak og gripeflater gir ikke sikker betjening og kontroll av elektroverktøyet i uforutsette situasjoner.

Bruk og behandling av det batteridrevne elektroverktøyet

- ▶ **Bruk kun ladere som er anbefalt av produsenten når du skal lade batteriene.** Det oppstår brannfare når det brukes andre batterier i en lader enn dem laderen er egnet for.
- ▶ **Bruk bare batterier som er beregnet for de forskjellige elektroverktøyene.** Bruk av andre batterier kan medføre skader og brannfare.
- ▶ **Unngå å oppbevare ubrukte batterier i nærheten av binders, mynter, nøkler, nagler, skruer eller andre små metallgjenstander som kan forårsake kortslutning av kontakten.** En kortslutning mellom batterikontaktene kan føre til forbrenninger eller brann.
- ▶ **Ved feil bruk kan væske lekke fra batteriet. Unngå kontakt med denne væsken. Ved tilfeldig kontakt må det skylles med vann. Hvis det kommer væske i øynene, må du i tillegg oppsøke lege.** Batterivæske som renner ut, kan føre til irritasjoner på huden eller forbrenninger.
- ▶ **Ikke bruk batterier som er skadde eller modifiserte.** Skadde eller modifiserte batterier kan oppføre seg uforutsigbart og forårsake brann, eksplosjon eller personskade.
- ▶ **Ikke utsett batteriet for åpen ild eller høye temperaturer.** Ild eller temperaturer over 130 °C (265 °F) kan forårsake eksplosjon.
- ▶ **Følg alle anvisningene for lading, og lad aldri batteriet eller det batteridrevne verktøyet utenfor temperaturområdet som er angitt i bruksanvisningen.** Feil lading eller lading utenfor det tillatte temperaturområdet kan ødelegge batteriet og øke brannfaren.

Service

- ▶ **Elektroverktøyet må kun repareres av kvalifisert fagpersonale og kun med originale reservedeler.** Slik opprettholdes maskinens sikkerhet.
- ▶ **Vedlikehold ikke skadde batterier.** Alt vedlikehold på batterier skal utføres av produsenten eller et godkjent serviceverksted.

2.2 Sikkerhetsanvisninger for alle sager

Saging

- ▶ **⚠ FARE: Hold hendene unna sagområdet og sagbladet. Hold den andre hånden på ekstrahåndtaket eller motorhuset.** Hvis du holder sagen med begge hender, kan ikke hendene bli skadd av sagbladet.
- ▶ **Hold ikke under arbeidsstykket.** Under arbeidsstykket gir beskyttelseskappen ingen beskyttelse mot sagbladet.
- ▶ **Tilpass snittybden til arbeidsstykkets tykkelse.** Under arbeidsstykket skal mindre enn en full tannhøyde være synlig.
- ▶ **Hold aldri arbeidsstykket du sager, fast med hånden eller bena. Sikre arbeidsstykket med et stabilt feste.** Det er viktig å feste arbeidsstykket skikkelig slik at faren for kroppskontakt, sagblad i klem eller at du mister kontrollen, blir minst mulig.
- ▶ **Hold alltid elektroverktøyet i de isolerte gripeflatene når du utfører arbeid der elektroverktøyet kan treffe på skjulte strømledninger.** Kontakt med en spenningsførende ledning setter også maskinens metalldele under spenning og fører til elektrisk støt.
- ▶ **Bruk alltid anslag eller en rett kantfører ved langsgående skjæring.** Dette gir mer nøyaktige snitt og reduserer muligheten for at sagbladet kommer i klem.
- ▶ **Bruk alltid sagblad i riktig størrelse og med passende festehull (f.eks. stjerneformet eller rundt).** Sagblad som ikke passer til sagens monteringsdel, går ujevnt og fører til at du mister kontrollen.
- ▶ **Sagblad, underlagsskiver og skruer må ikke være skadd eller av feil type.** Underlagsskivene og skruene er konstruert spesielt til din sag for optimal ytelse og driftssikkerhet.



Rekyl – årsaker og relevante sikkerhetsanvisninger

- Rekyl er en plutselig reaksjon fra et sagblad som setter seg fast, klemmes fast eller har feil retning slik at sagen løfter seg ukontrollert fra arbeidsstykket og kan bevege seg mot operatøren.
- Hvis sagbladet setter seg fast eller klemmes fast, blir det blokkert, og motorkraften slår sagen tilbake mot operatøren.
- Dersom sagbladet får en feil vriddning eller retning, kan tennene i den bakre delen av sagbladet sette seg fast i overflaten på arbeidsstykket, slik at sagbladet hopper ut av sagsporet og beveger seg bakover mot operatøren.

Rekyl følger av feil bruk av sagen. Den kan hindres gjennom egnede forholdsregler som beskrevet nedenfor.

- ▶ **Hold sagen fast med begge hender, og hold armene i en stilling der du kan fange opp rekylkraften. Hold deg alltid på siden av sagbladet, og plasser aldri sagbladet på linje med kroppen.** Ved rekyl kan sirkelsagen slenges bakover, men operatøren kan takle rekylkraften gjennom egnede forholdsregler.
- ▶ **Hvis sagbladet klemmes fast eller du avbryter arbeidet, må du slå av sagen og holde den i ro i arbeidsmaterialet til sagbladet har stanset helt. Prøv aldri å fjerne sagen fra arbeidsstykket eller trekke den bakover så lenge sagbladet er i bevegelse, ellers er det fare for rekyl.** Undersøk og eliminer årsaken til fastklemming av sagbladet.
- ▶ **Når du skal starte en sag som sitter fast i arbeidsstykket, sentrerer du sagbladet i spalten og kontrollerer at sagtennene ikke har haket seg fast i arbeidsstykket.** Hvis sagbladet er kommet i klem, kan det bevege seg ut av arbeidsstykket eller forårsake rekyl når sagen startes på nytt.
- ▶ **Støtt opp store plater slik at det blir mindre risiko for rekyl på grunn av et sagblad i klem.** Store plater kan brette under sin egen vekt. Platene må støttes opp på begge sider, både i nærheten av sagsnittet og ved endene.
- ▶ **Bruk aldri sløve eller skadde sagblad.** Sagblad med sløve tenner eller tenner som sitter feil, gir for trang sagespalte, og dette fører til økt friksjon, sagblad i klem og rekyl.
- ▶ **Skru fast sagedybde- og sagesvinkelinnstillingene før du begynner å sage.** Hvis du forandrer innstillingene under saging, kan sagbladet klemmes fast og det kan oppstå rekyl.
- ▶ **Vær ekstra forsiktig ved saging i eksisterende vegger eller i andre usynlige områder.** Sagbladet som stikkes inn, kan blokkeres av skjulte objekter under saging, noe som kan forårsake rekyl.

Beskyttelseskappens funksjon

- ▶ **Sjekk alltid før bruk at beskyttelseskappen låser seg uten problemer. Bruk aldri sagen når beskyttelseskappen ikke beveger seg fritt og ikke lukker umiddelbart. Ikke klem eller bind fast beskyttelseskappen.** Hvis dette gjøres, er sagbladet ubeskyttet. Hvis sagen skulle falle ned ved et uhell, kan beskyttelseskappen bli bøyd. Kontroller at beskyttelseskappen beveger seg fritt ved alle kuttevinkler og -dybder, og at den ikke berører sagbladet eller andre deler.
- ▶ **Sjekk at fjæren til beskyttelseskappen fungerer som den skal. Ikke bruk sagen når beskyttelseskappen og fjæren ikke fungerer problemfritt.** Skadde deler, klebrige avleiringer eller opphopninger av spon kan føre til at nedre beskyttelseskappe arbeider sent.
- ▶ **Ved dykksnitt som ikke utføres vinkelrett, må man sørge for at sagens grunnplate ikke forskyver seg sidelengs.** En sidelengs forskyvning kan føre til fastklemming av sagbladet og dermed rekyl.
- ▶ **Legg ikke fra deg sagen på arbeidsbenken eller gulvet uten at beskyttelseskappen dekker sagbladet.** Et udekket, etterløpende sagblad beveger sagen mot snittretningen og sager alt som kommer i veien. Vær også oppmerksom på sagens etterløpstid.

2.3 Ytterligere sikkerhetsanvisninger**Personsikkerhet**

- ▶ Ikke foreta modifiseringer eller endringer på elektroverktøyet eller tilbehør.
- ▶ Bruk elektroverktøyet kun med tilhørende verneutstyr.
- ▶ Hvis elektroverktøyet brukes uten støvavsug, må man alltid bruke en lett støvmaske når arbeidet forårsaker støv.
- ▶ Hold alltid elektroverktøyet fast med begge hendene på de to håndtakene.
- ▶ Bruk hørselsvern. Påvirkning av støy kan føre til hørselstap.
- ▶ Ta pauser fra arbeidet og foreta avspennings- og fingerøvelser for å øke blodgjennomstrømmingen i fingrene.
- ▶ Elektroverktøyet er ikke beregnet for svakelige personer uten opplæring.
- ▶ Vent med å slå på elektroverktøyet til du befinner deg på arbeidsplassen og har plassert det i arbeidsposisjon.
- ▶ Ta ut batteriet hvis det oppstår problemer med elektroverktøyet, når du skifter innsatsverktøy eller tilbehør og ved oppbevaring og transport av elektroverktøyet.
- ▶ Ikke arbeid med elektroverktøyet over hodehøyde.



- ▶ Ikke brems elektroverktøyet ved å trykke mot sagbladet fra sidene.
- ▶ Kontroller at sagen er slått av og at innkoblingsperren er i inngrep før du monterer batteriet. Slik unngår du personskader på grunn av utilsiktet start av elektroverktøyet.
- ▶ Ikke rør spennflensen og spennskruen mens elektroverktøyet går.
- ▶ Vent til sagbladet står helt stille før du legger fra deg elektroverktøyet.
- ▶ Ikke skift innsatsverktøy før elektroverktøyet har kjølnet.
- ▶ Betjen aldri spindellåsen mens sagbladet roterer.
- ▶ Ikke rett elektroverktøyet mot personer.
- ▶ Innkoblingsperren må alltid være i inngrep når du skifter tilbehør eller batteri, under transport eller hvis du vil lagre elektroverktøyet.
- ▶ Bruk alltid sagblad som passer til arbeidsstykkets materiale og konsistens.
- ▶ På dette elektroverktøyet må du aldri montere noen form for slipeskive.
- ▶ Elektroverktøyet må bare føres mot arbeidsstykket når det er slått på.
- ▶ Tilpass fremføringskraften til sagbladet og materialet det arbeides med. På den måten unngår du at sagbladet blokkeres og eventuelt forårsaker rekyl.
- ▶ Unngå overoppheting av sagtannspissene.
- ▶ Maks. tillatt omdreiningstall for innsatsverktøyet må være minst like høyt som maks. tillatt omdreiningstall for selve elektroverktøyet. Tilbehør som roterer raskere enn tillatt, kan gå i stykker og bli slynget ut.
- ▶ Ikke arbeid i omgivelser som er sterkt belastet med støv.
- ▶ Støv som oppstår ved sliping, smergling, kapping og boring kan inneholde farlige kjemikalier. Noen eksempler er: bly eller blybasert maling; tegl, betong og andre murverksprodukter, naturstein og andre silikatholdige produkter; bestemte tresorter, slik som eik, bøk og kjemisk behandlet trevirke; asbest eller asbestholdige materialer. Kartlegg hvor eksponert brukeren og personer i nærheten er ved hjelp av fareklassen til materialene som det arbeides med. Treff nødvendige tiltak for å holde eksponeringen på et trygt nivå, f.eks. ved å bruke et støvoppsamlingsystem eller egnet åndedrettsvern. Til de generelle tiltakene for å redusere eksponeringen hører:
 - ▶ Arbeid i et godt ventilert område,
 - ▶ unngå langvarig kontakt med støv,
 - ▶ led bort støv fra ansikt og kropp,
 - ▶ bruk verneutstyr og vask eksponerte områder med vann og såpe.
- ▶ Du og alle andre personer i arbeidsområdet skal alltid bruke åndedrettsmaske som oppfyller bruksområdets krav.
- ▶ Du og alle andre personer i arbeidsområdet skal bruke egnede vernebriller, vernehjelm, hørselsvern, vernehansker og vernesko under bruk av elektroverktøyet.
- ▶ Før arbeidet påbegynnes, må du bringe på det rene hvilken fareklasse støvmaterialet som oppstår, tilhører. Bruk en anleggsstøvsuger med offisiell beskyttelsesklassifisering sammen med sagen som oppfyller lokale støvbeskyttelseskrav.
- ▶ Følg nasjonale forskrifter for arbeidssikkerhet.
- ▶ Bruk fastspenningsinnretninger eller andre praktiske hjelpemidler for å sikre arbeidsstykket og holde det i en stabil posisjon. Å holde arbeidsstykket med hånden eller kroppen gir for dårlig stabilitet og kan føre til at du mister kontrollen. Ikke la tredjepersoner holde arbeidsstykket i posisjon.
- ▶ Ikke sag i ukjent underlag og hold saglinjen fri for hindringer oppe og nede. Hvis sagbladet treffer en gjenstand, kan elektroverktøyet slå tilbake (rekyl).
- ▶ - Fare for personskade på grunn av verktøy og/eller tilbehør som faller ned. Kontroller før arbeidet starter at det monterte tilbehøret er sikkert festet.
- ▶ Unngå å ta på støvskjermen eller sugeslangen under saging. I forbindelse med materialer som utvikler mye støv kan det oppstå økt risiko for elektrostatisk støt.
- ▶ Forsikre deg om at det ikke er hindringer i snittbanen, for eksempel spiker, skruer eller andre metalldeleer.
- ▶ Bruk bare sagblad som er anbefalt av **Hilti**, og som oppfyller normen EN 847-1.
- ▶ Ved saging i plast må du passe på at arbeidsstykket ikke blir for varmt og smelter.

Elektrisk sikkerhet

- ▶ Kontroller arbeidsområdet for skjulte elektriske ledninger, gass- og vannrør før du starter arbeidet, f.eks. ved hjelp av en detektor. Eksterne metalldeleer på elektroverktøyet kan bli strømførende ved at f.eks. en strømførende kabel utilsiktet blir skadet. Dermed oppstår økt fare for elektrisk støt.



2.4 Aktsom håndtering og bruk av batterier

- ▶ **Ta hensyn til følgende sikkerhetsanvisninger for sikker håndtering og bruk av li-ion-batterier.** Manglende overholdelse kan føre til hudirritasjoner, alvorlige korrosive skader, kjemiske forbrenninger, brann og/eller eksplosjoner.
- ▶ Bruk kun batterier i teknisk feilfri stand.
- ▶ Behandle batterier med omhu for å unngå skader og forhindre at svært helseskadelige væsker lekker ut!
- ▶ Batterier må under ingen omstendigheter modifiseres eller manipuleres!
- ▶ Batteriene må ikke tas fra hverandre, klemmes, varmes opp over 80 °C (176 °F) eller brennes.
- ▶ Ikke bruk eller lad opp batterier som har vært utsatt for et støt eller er skadd på annen måte. Kontroller batteriene regelmessig for å se etter tegn på skader.
- ▶ Bruk aldri resirkulerte eller reparerte batterier.
- ▶ Ikke bruk batteriet eller et batteridrevet elektroverktøy som slagverktøy.
- ▶ Utsett aldri batterier for direkte sollys, høy temperatur, gnistdannelse eller åpen flamme. Dette kan føre til eksplosjoner.
- ▶ Ikke berør batteripolene med fingrene, verktøy, smykker eller andre elektrisk ledende gjenstander. Dette kan skade batteriet samt forårsake materielle skader og personskader.
- ▶ Hold batteriene unna regn, fuktighet og væsker. Hvis fuktighet trenger inn, kan dette føre til kortslutning, elektrisk støt, forbrenninger, brann og eksplosjoner.
- ▶ Bruk kun ladere og elektroverktøy som er beregnet på denne batteritypen. Følg i den forbindelse opplysningene i de tilhørende bruksanvisningene.
- ▶ Ikke bruk eller oppbevar batteriet i eksplosjonsfarlige omgivelser.
- ▶ Hvis batteriet er for varmt til at du kan ta på det, kan det være defekt. Plasser batteriet på et synlig, ikke brennbart sted med tilstrekkelig avstand til brennbare materialer. La batteriet kjøle. Hvis batteriet fremdeles er for varmt til at du kan ta på det etter en time, er det defekt. Kontakt **Hilti** service eller les dokumentet "Informasjon om sikkerhet og bruk av **Hilti** li-ion-batterier".



Ta hensyn til spesielle retningslinjer som gjelder for transport, lagring og bruk av litium-ion-batterier.

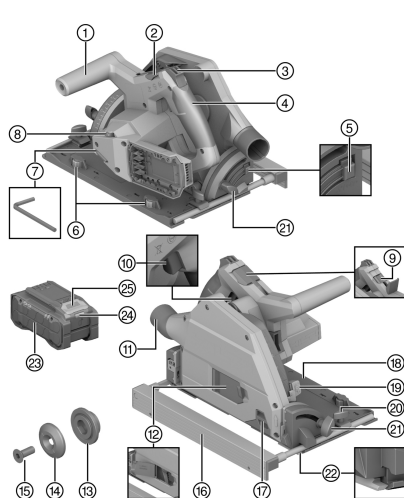


Les informasjonen om sikkerhet og bruk av **Hilti** li-ion-batterier, som du finner ved å skanne QR-koden bakerst i denne bruksanvisningen.



3 Beskrivelse

3.1 Produktoversikt



- ① Støttehåndtak
- ② Sperrehendel for sagbladbytte
- ③ Innkoblingssperre
- ④ Hovedhåndtak
- ⑤ Utløserknapp for snittvinkel -1° og 47°
- ⑥ Stillhjul for klaringskompensasjon (klaring mellom ledeskinne og ledespor i grunnplate)
- ⑦ Unbrakonøkkel
- ⑧ Stillhjul for sagbladturtall
- ⑨ Spindellås
- ⑩ Av/på-bryter
- ⑪ Sponutkast / monteringsstuss
- ⑫ Monteringsklaff for sagbladbytte
- ⑬ Festeflens
- ⑭ Spennflens
- ⑮ Spennskruer
- ⑯ Parallellanlegg
- ⑰ Forskyvbart støvbeskyttelsesvindu
- ⑱ Grunnplate
- ⑲ Kuttedybdeinnstilling
- ⑳ Klemskrue for parallellanlegg
- ㉑ Klemskrue for snittvinkelinnstilling
- ㉒ Adaptiv snittindikator
- ㉓ Batteri
- ㉔ Statusindikator for batteri
- ㉕ Utløserknapp for batteri

3.2 Forskriftsmessig bruk

Det beskrevne produktet er en batteridrevet dykksag. Den er beregnet på saging og dykksnitt kun i følgende materialer:

- Tre og trelignende materialer
- Plast
- Gipsplater
- Fibersementplater
- Ikke-jernholdige metaller

Produktet er konstruert for snekker- og interiørarbeider.

Sirkelsagen er utstyrt med en monteringsstuss for støvsuger, som passer til vanlige støvsugerslanger. Det kan være nødvendig med en adapter for å koble sugeslangen til sagan.

Bruk bare sagblad som er godkjent for produktet, og som oppfyller spesifikasjonene under tekniske data (f.eks. diameter, turtall, tykkelse, materiale osv...). Slipe- og kappeskiver samt sagblad av høylegert hurtigstål (HSS) er ikke tillatt.

Sag kun jevne arbeidsstykker som gir tilstrekkelig kontaktflate for grunnplaten.

- Til dette produktet må det bare benyttes **Hilti** li-ion-batterier i serien B 22. **Hilti** anbefaler å benytte batteriene som er angitt i tabellen bakerst i bruksanvisningen til produktet.
- Til disse batteriene må det bare benyttes **Hilti**-ladere av seriene som er omtalt på slutten av denne bruksanvisningen.

3.3 Følgende inngår i leveransen:

Batteridrevet sirkelsag, sagblad, bruksanvisning



2373233

3.4 Indikatorer for Li-ion-batteriet

Hilti Nuron Li-ion-batterier kan indikere ladetilstand, feilmeldinger og batteriets tilstand.

3.4.1 Indikatorer for ladetilstand og feilmeldinger

ADVARSEL

Fare for personskader på grunn av batteri som faller ned!

- ▶ Når du har satt i batteriet og trykt på låseknappen, må du kontrollere at batteriet igjen klikker på plass i produktet som brukes.

For å få frem en av følgende indikatorer trykker du kort på batteriets utløserknapp.

Ladetilstanden samt eventuelle feil indikeres også hele tiden så lenge det tilkoblede produktet er slått på.

Tilstand	Betydning
Fire (4) lysdioder (LED) lyser konstant grønt	Ladetilstand: 100 % til 71 %
Tre (3) lysdioder (LED) lyser konstant grønt	Ladetilstand: 70 % til 51 %
To (2) lysdioder (LED) lyser konstant grønt	Ladetilstand: 50 % til 26 %
Én (1) lysdiode (LED) lyser konstant grønt	Ladetilstand: 25 % til 10 %
Én (1) lysdiode (LED) blinker langsomt grønt	Ladetilstand: < 10 %
Én (1) lysdiode (LED) blinker raskt grønt	Li-ion-batteriet er helt utladet. Lad batteriet. Hvis lysdioden fortsatt blinker raskt etter at batteriet er ladet, kontakter du Hilti service .
Én (1) lysdiode (LED) blinker raskt gult	Li-ion-batteriet eller det tilkoblede produktet er overbelastet, for varmt eller for kaldt eller det foreligger en annen feil. Bring produktet og batteriet til anbefalt arbeidstemperatur, og ikke overbelast produktet når du bruker det. Hvis meldingen vedvarer, kontakter du Hilti service .
Én (1) lysdiode (LED) lyser gult	Li-ion-batteriet og det tilkoblede produktet er ikke kompatible. Kontakt Hilti service .
Én (1) lysdiode (LED) blinker raskt rødt	Li-ion-batteriet er sperret og kan ikke brukes lenger. Kontakt Hilti service .

3.4.2 Indikering av batteriets tilstand

For å sjekke tilstanden til batteriet holder du utløserknappen inne i over tre sekunder. Systemet registrerer ikke mulige funksjonsfeil på batteriet som følge av skjødesløs bruk, som f.eks. at det er mistet ned, er påført hull eller skader forårsaket av eksterne varmekilder osv.

Tilstand	Betydning
Alle LED-ene lyser som løpelys og deretter lyser én (1) LED konstant grønt.	Batteriet kan brukes videre.
Alle LED-ene lyser som løpelys og deretter blinker én (1) LED raskt gult.	Kartlegging av batteriets tilstand kunne ikke fullføres. Gjenta prosedyren eller kontakt Hilti service .
Alle LED-ene lyser som løpelys og deretter lyser én (1) LED konstant rødt.	Hvis et tilkoblet produkt fortsatt kan brukes, er den gjenværende batterikapasiteten under 50 %. Hvis et tilkoblet produkt ikke lenger kan brukes, er batteriets levetid over og batteriet må skiftes ut. Kontakt Hilti service .



4 Tekniske data

4.1 Produktegenskaper

	SC 6WP-22
Produktgenerasjon	01
Vekt	3,3 kg (iht. EPTA-Procedure 01 uten batteri)
Vekt (parallellanlegg)	0,45 kg
Mål (L × B × H)	360 mm × 200 mm × 237 mm
Stambladtykkelse	1 mm ... 1,5 mm
Maksimal kuttedybde	57 mm
Nominelt tomgangsturtall	6 000 o/min
Merkespennning	21,6 V

4.2 Sagbladtyper og bruksområder

Sagbladtype	Bruksinformasjon
Universalsagblad Finsnittssagblad	Tre og trebaserte materialer
Sagblad for fibersement	Fibersement eller fibersement-baserte materialer

4.3 Lagrings- og driftstemperatur

Lagringstemperatur	-20 °C ... 70 °C
Omgivelsestemperatur under drift	-17 °C ... 60 °C

4.4 Batteri

Batteriets driftsspennning	21,6 V
Vekt batteri	Se bakerst i bruksanvisningen
Omgivelsestemperatur under drift	-17 °C ... 60 °C
Lagringstemperatur	-20 °C ... 40 °C
Batteritemperatur ved ladestart	-10 °C ... 45 °C

4.5 Støyinformasjon og vibrasjonsverdier

Lydtrykk- og vibrasjonsverdiene som er angitt i denne bruksanvisningen, er målt i samsvar med en normert målemetode og kan brukes til sammenligning av elektroverktøy. De egner seg også til en foreløpig vurdering av eksponeringene.

De angitte dataene representerer de viktigste bruksområdene for elektroverktøyet. Men hvis elektroverktøyet brukes til andre formål, med avvikende innsatsverktøy eller med utilstrekkelig vedlikehold, kan dataene avvike. Dette kan øke eksponeringene betraktelig gjennom hele arbeidsperioden.

For å få en nøyaktig vurdering av eksponeringene må man også ta hensyn til tidsrommene da elektroverktøyet er slått av eller er i gang, men ikke i bruk. Dette kan redusere eksponeringene betraktelig gjennom hele arbeidsperioden.

Fastsett ekstra sikkerhetstiltak for å beskytte operatøren mot effekten av støy og/eller vibrasjoner, for eksempel: Vedlikehold av elektroverktøy og innsatsverktøy, holde hendene varme, organisering av arbeidsprosesser.



Du finner nærmere informasjon om hvilke versjoner av **EN 62841**-standardene som er benyttet på bildet av samsvarserklæringen 312.



Støyinformasjon

Lydeffektnivå (L_{WA})	106 dB(A)
Usikkerhet lydeffektnivå (K_{WA})	3 dB(A)
Lydtrykknivå (L_{pA})	98 dB(A)
Usikkerhet lydtrykknivå (K_{pA})	3 dB(A)

Totale vibrasjonsverdier


Saging av sponplate ($a_{h,w}$)	B 22-55	0,9 m/s ²
Saging av aluminiumsplate ($a_{h,M}$)	B 22-55	1,7 m/s ²
Usikkerhet (K)		1,5 m/s ²

5 Klargjøring til arbeidet**⚠ ADVARSEL****Fare for personskader på grunn av utilsiktet start!**

- ▶ Før batteriet settes i, må det kontrolleres at det tilhørende produktet er slått av.
- ▶ Fjern batteriet før du foretar maskininnstillinger eller skifter tilbehørsdel.

Følg sikkerhetshenvisningene og advarslene i denne dokumentasjonen og på produktet.

5.1 Lade batteriet

1. Les bruksanvisningen for laderen før lading.
2. Kontaktene på batteriet og laderen må være rene og tørre.
3. Lad opp batteriet i en godkjent lader.  75

5.2 Sette i batteri**⚠ ADVARSEL****Fare for personskader på grunn av kortslutning eller ved at batteriet faller ned!**

- ▶ Forsikre deg om at det ikke er fremmedlegemer ved kontaktene på batteriet og kontaktene på produktet før du setter batteriet inn i maskinen.
- ▶ Kontroller at batteriet alltid går riktig i inngrep.

1. Lad batteriet helt opp før første gangs bruk.
2. Skyv batteriet inn i produktet til det klikker hørbart på plass.
3. Kontroller at batteriet sitter godt fast.

5.3 Ta ut batteri

1. Trykk på batteriets opplåsningsknapp.
2. Trekk batteriet ut av produktet.

5.4 Fallsikring **⚠ ADVARSEL****Fare for personskader som følge av at verktøy og/eller tilbehør faller ned!**

- ▶ Bruk bare verktøynoren som er anbefalt av **Hilti** til produktet.
- ▶ Kontroller festepunktet for verktøynoren for mulige skader før hver bruk.

 Følg nasjonale retningslinjer for arbeid i høyden.

Til fallsikring av dette produktet skal du bare bruke **Hilti** verktøynor #2261971.

- ▶ Fest verktøynoren til produktet med løkken slik som vist på bildet. Kontroller at den sitter forsvarlig fast.



- ▶ Fest karabinkroken til en bærende konstruksjon. Kontroller at karabinkroken sitter forsvarlig fast.

Følg bruksanvisningen for **Hilti** verktøysnor.

5.5 Sette dykkenheten i monteringsposisjon

Dykkenheten har en monteringsposisjon der du kommer til spennskruen gjennom monteringsvinduet. Du kan stille inn monteringsposisjonen med spærrehendelen.

Når du vipper spærrehendelen bakover (grunnposisjon), spretter dykkenheten tilbake. Hold produktet i hovedhåndtaket for å føre dykkenheten kontrollert til utgangsstillingen.

1. Posisjoner produktet slik at du kan senke ned sagen med maksimal kuttydybde (f.eks. på en bordkant).
2. Åpne monteringsklaffen for montering av sagblad.
3. Still kuttydybdeindikatoren på maksimumsverdien **(1)**.
4. Vipp opp spærrehendelen (monteringsposisjon) **(2)**.
5. Trykk på og hold inne innkoblingssperren **(3)** og senk dykkenheten til monteringsposisjonen.
 - ▶ Dykkenheten går hørbart i inngrep i monteringsposisjonen.
 - ▶ Spennskruen ligger synlig sentrert i monteringsvinduet.

5.6 Demontere sagblad

ADVARSEL

Fare for forbrennings- og kuttfare på sagblad, spennskruer og spennflens Resultatet kan bli forbrenninger og kuttskader.

- ▶ Bruk arbeidshansker ved bytte av verktøy.

1. Sett dykkenheten i monteringsposisjon, 79
2. Trykk på og hold inne spindellåsknappen **(1)**.
3. Løs spennskruen med unbrakonøkkel **(2)**.

Orienter deg etter rotasjonsretningspilen: Du løser spennskruen i sagbladets rotasjonsretning.

4. Fjern spennskruen og spennflensen.
5. Ta sagbladet nedover og ut av beskyttelseskappen.

Ved behov kan festflensen tas av for rengjøring.

5.7 Montere sagblad

Kontroller at sagbladet som skal festes på sagen samsvarer med tekniske krav og at det er skarpt. Et skarpt sagblad er en forutsetning for at sagsnittet blir riktig.

Velg alltid et sagblad som passer til materialet du skal sage i før hver bruk.

1. Sett dykkenheten i monteringsposisjon, 79
2. Rengjør feste- og spennflensen **(1)**.
3. Sett festflensen på drivspindelen i riktig retning.
4. Sett inn det nye sagbladet **(2)**.
 - ▶ Merk deg rotasjonsretningspilen på sagbladet **(3)** og beskyttelseskappen **(4)**. De to rotasjonsretningspilenes orientering må stemme overens.
5. Sett på spennflensen i riktig retning.
6. Skru inn spennskruen.
7. Trykk på og hold inne spindellåsknappen **(5)**.
8. Trekk til spennskruen med unbrakonøkkel **(6)**.

Orienter deg etter rotasjonsretningspilen: Trekk til spennskruen mot sagbladets rotasjonsretning.

9. Kontroller at sagbladet sitter som det skal.




10. Hold produktet i hovedhåndtaket.
11. Still spørrehendelen i grunnposisjon og sving dykkenheten tilbake til grunnposisjonen (7).
12. Lukk monteringsklaffen for montering av sagblad.

5.8 Forskyvbart støvbeskyttelsesvindu


For at støvavsugget skal bli optimalt, skyver du alltid støvbeskyttelsesvinduet nærmest mulig arbeidsstykke.

5.9 Stille inn kuttedybde 7

 Den innstilte kuttedybden bør alltid være ca. 5 til 10 mm større enn tykkelsen på materialet som skal kuttes.

1. Trykk på og hold inne utløseren for kuttedybdeinnstilling (1).
2. Skyv skyvbryteren til den aktuelle kuttedybden (2).
 - ▶ Kuttedybdeindikatoren har separat indikering for snitt med ledeskinne (3) og snitt uten ledeskinne (4).
3. Slipp utløseren for kuttedybdeinnstilling.

5.10 Stille inn snittvinkel for gjæringsnitt 8

 • Unngå forskjellige vinkelinnstillinger foran og bak ved ikke å utøve trykk mot støttehåndtaket eller sagen når du trekker til. Ved forskjellige vinkelinnstillinger kan snittet ikke lenger utføres rett.


1. Løs de to klemskruene på snittvinkelinnstillingen (1).
2. Sving produktet til ønsket snittvinkel.
 - ▶ Hvis du vil stille inn en vinkel på -1° eller mer enn 45° (inntil maksimalt 47°), trykker du på og holder inne utløserknappen (2).
3. Trekk til de to klemskruene på snittvinkelinnstillingen.
4. Trekk til snittvinkelinnstillingens motstående skrue.

5.11 Stille inn sagbladturtall

Velg alltid et turtall som passer sagbladet som benyttes og materialet som bearbeides. Med et tilpasset turtall unngår du overoppheting av sagtennene og forlenger sagbladenes levetid.

- ▶ Drei hjulet for valg av turtall til den aktuelle stillingen.

5.12 Montere parallellanlegg 9

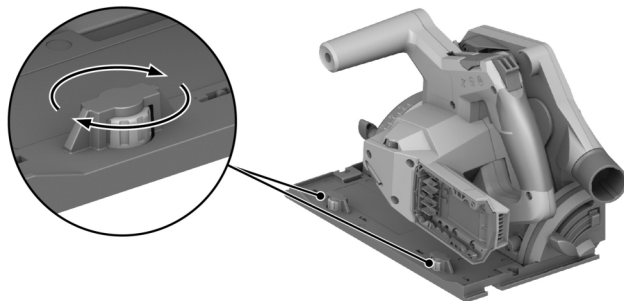
 Alt etter montering på produktet kan parallellanlegget fylle en av de to funksjonene:

- L-format kant vender ned:
Parallellanlegg for konstante snitt langs en kant.
- L-format kant vender opp:
Utvidelse av grunnplaten for mer stabil styring ved snitt uten ledeskinne.

1. Løs de to klemskruene.
2. Skyv parallellanlegget inn i grunnplaten monteringsfester.
3. Still inn parallellanlegget på avstanden som snittet krever.
 - ▶ Pass på at avstanden er lik på begge sider.
4. Trekk til de to klemskruene.



5.13 Sette produktet på ledeskinnen



1. Sett produktet med sporet i grunnplaten på styreribben.
2. Kontroller klaringen mellom ledeskinne og grunnplate.
3. Juster klaringen med eksenterskruene (1):
 - ▶ For å redusere klaringen skrur du eksenterskruene med urviserne.
 - ▶ For å øke klaringen skrur du eksenterskruene mot urviserne.
4. Juster klaringen slik at den er minst mulig, uten at glidebevegelsen hemmes.

6 Betjening

Følg sikkerhetsanvisningene og advarslene i denne dokumentasjonen og på produktet.

6.1 Slå på eller slå av

Slå på

1. Trykk innkoblingssperren opp og hold den der.
2. Trykk på av/på-bryteren og hold den inne.
3. Slipp innkoblingssperren.

i Innkoblingssperren blir værende i frigjort posisjon så lenge du holder av/på-bryteren inne, eller dykkenheten befinner seg i en dykkposisjon. Innkoblingssperren går automatisk til den låste posisjonen når dykkenheten er i grunnposisjon og du slipper av/på-bryteren.

Slå av

4. Før dykkenheten tilbake til grunnposisjonen.
5. Slipp av/på-bryteren.

6.2 Håndtering av støv og spon

- Sage med **støvsuger**:
Koble støvsugerslangen til avsugsstussen og følg anvisningene i bruksanvisningen for støvsugeren.
- Sage med **støvpose**:
Sett støvposen med adapter inn i avsugsstussen for støvsuger.



Du kan også bruke produktet uten støvoppsamlingsinnretninger. Forsikre deg om at sagstøv og -spon kan kastes ut uhindret.



6.3 Sage etter strek **11**



Sag kun jevne arbeidsstykker som gir tilstrekkelig kontaktflate for grunnplaten.


1. Sikre arbeidsstykket mot forskyvning og marker snittforløpet (strek).




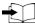

2. Still inn kuttedybden.  80
3. Plasser produktet med den adaptive snittindikatoren på streken.
4. Slå på produktet.  81
 - ▶ Produktet kan bare senkes når av/på-bryteren er utløst.
5. Senk dykkenheten ned i arbeidsstykket til anslag **(1)**.
6. Før produktet gjennom arbeidsstykket i egnet arbeidstempo.
7. Sving dykkenheten tilbake til grunnposisjonen mens sagbladet roterer **(2)**.



På den måten forhindrer du at sagbladet kommer i klem i arbeidsstykket.

8. Slå av produktet med det samme dykkenheten er i grunnposisjon.  81



6.4 Gjennomføre dykksnitt

1. Still inn kuttedybden.  80
2. Sett produktet på arbeidsstykket.
3. Slå på produktet.  81
 - ▶ Produktet kan bare senkes når av/på-bryteren er utløst.
4. Senk produktet så langt ned det går i arbeidsstykket.
5. Før produktet gjennom arbeidsstykket i egnet arbeidstempo.
6. Sving produktet ut av arbeidsstykket.
7. Slå av produktet med det samme dykkenheten er i grunnposisjon.  81




6.5 Gjennomføre gjæringsnitt (vinkelsnitt)



Produktet har en adaptiv snittindikator som automatisk tilpasser seg den innstilte snittvinkelen. Den adaptive snittindikatoren gjelder bare for snitt uten ledeskinne. Ved snitt med ledeskinne er snittlinjen konstruksjonsbetinget uavhengig av den innstilte snittvinkelen.

1. Still inn snittvinkelen for gjæringsnitt.  80
2. Plasser produktet med den adaptive snittindikatoren på streken.
3. Slå på produktet.  81
4. Senk dykkenheten ned i arbeidsstykket.
5. Før produktet langs ledeskinnen gjennom arbeidsstykket.

6.6 Sagsnitt med ledeskinne **10**

1. Fest ledeskinnen med to skrutvinger.
2. Sett grunnplaten med sporet på ledeskinns styreribbe.
3. Still inn snittvinkelen for gjæringsnitt.  80
4. Still inn kuttedybden.  80
5. Slå på produktet.  81
6. Senk dykkenheten ned i arbeidsstykket.
7. Før produktet langs ledeskinnen gjennom arbeidsstykket.

7 Pleie og vedlikehold



ADVARSEL

Fare for personskader på grunn av isatt batteri !

- ▶ Ta alltid ut batteriet før stell og vedlikeholdsarbeid!

Pleie av produktet

- Fjern forsiktig gjenstridig smuss.
- Rengjør ventilasjonsåpningene, der slike finnes, forsiktig med en tørr og myk børste.
- Rengjør huset bare med en lett fuktet klut. Ikke bruk silikonholdige pleiemidler, ettersom dette kan angripe plastdelene.
- Bruk en ren og tørr klut for å rengjøre kontaktene på produktet.



Pleie av li-ion-batterier

- Bruk aldri et batteri med tilstoppede ventilasjonsåpninger. Rengjør ventilasjonsåpningene forsiktig med en tørr og myk børste.
- Unngå at batteriet unødig utsettes for støv eller smuss. Ikke utsett batteriet for høy fuktighet (f.eks. ved å dyppe det i vann eller la det stå ute i regnet).
Hvis et batteri blir gjennomvått, må det behandles som et skadet batteri. Isoler det i en ikke-brennbar beholder, og kontakt **Hilti service**.
- Hold batteriet fritt for fremmed olje og fett. Ikke la unødige støv eller smuss samle seg på batteriet. Rengjør batteriet med en tørr og myk børste eller en ren og tørr klut. Ikke bruk silikonholdige pleiemidler, ettersom dette kan angripe plastdelene.
Ikke berør kontaktene på batteriet, og ikke fjern fett som er smurt på kontaktene fra fabrikkens.
- Rengjør huset bare med en lett fuktet klut. Ikke bruk silikonholdige pleiemidler, ettersom dette kan angripe plastdelene.

Vedlikehold

- Kontroller alle synlige deler regelmessig mht. skade og alle betjeningslementer mht. feilfri funksjon.
- Ved skade og/eller funksjonsfeil må produktet ikke brukes. Få produktet omgående reparert av **Hilti service**.
- Monter alle beskyttelsesinnretninger etter pleie- og vedlikeholdsarbeid, og kontroller at de fungerer feilfritt.



Av hensyn til sikkerheten må du bare bruke originale reservedeler og forbruksmateriell. Reservedeler, forbruksmateriell og tilbehør som er godkjent av **Hilti**, finner du i nærmeste **Hilti Store** eller på: www.hilti.group

7.1 Rengjøring av beskyttelsesinnretninger

1. Rengjør beskyttelsesinnretningene forsiktig med en tørr børste.
2. Fjern avleiringer og spon på innsiden av beskyttelsesinnretningene med egnet verktøy.

7.2 Rengjøre sponkanal

1. Hvis du har montert en støvsuger på avsugsstussen, fjerner du sugeslangen fra avsugsstussen.
2. Rengjør sponkanalen med en børste.

8 Transport og lagring av batteriverktøy og batterier

Transport



Utisiktet start under transport !

- ▶ Transporter alltid produktene dine uten batterier!
- ▶ Ta ut batteri(er).
- ▶ Batterier må aldri transporteres løst. Under transport må batteriene beskyttes mot kraftige støt og vibrasjoner og isoleres fra ledende materialer og andre batterier, slik at de ikke kan komme i berøring med andre batteripoler og dermed forårsake kortslutning. **Følg lokale transportforskrifter for batterier.**
- ▶ Batterier må ikke sendes i posten. Kontakt et transportfirma hvis du vil sende uskadde batterier.
- ▶ Kontroller produkt og batterier med henblikk på skader før hver bruk samt før og etter lengre transport.

Lagring



Utisiktet skade på grunn av defekte batterier eller lekkasje fra batterier !

- ▶ Oppbevar alltid produktene dine uten batterier!
- ▶ Oppbevar produkt og batterier kjølig og tørt. Ta hensyn til temperaturrensene som er angitt under tekniske data.
- ▶ Ikke oppbevar batterier på laderen. Ta alltid batteriet ut av laderen etter ferdig lading.
- ▶ Batterier må aldri oppbevares i solen, på varmekilder eller bak glass.
- ▶ Oppbevar produktet og batterier utenfor barns og uvedkomendes rekkevidde.
- ▶ Kontroller produkt og batterier med henblikk på skader før hver bruk samt før og etter lengre tids lagring.



9 Feilsøking

Følg statusindikatoren på batteriet ved alle feil. Se kapittelet **Indikatorer for li-ion-batteriet**.



Ved feil som ikke står i denne tabellen eller som du selv ikke kan utbedre, må du kontakte **Hilti** service.

Feil	Mulig årsak	Løsning
Av/på-bryteren kan ikke trykkes inn eller er blokkert.	Ingen feil (sikkerhetsfunksjon).	▶ Trykk på innkoblingssperren.
Turtallet reduseres kraftig og plutselig.	Utladet batteri. For stor fremføringskraft.	▶ Lad batteriet. ▶ Reduser fremføringskraften og slå på produktet igjen.
Ingen eller redusert sugeeffekt	Sponkanalen er tilstoppet.	▶ Rengjør sponkanalen. 83
Produktet starter ikke av seg selv igjen etter at sagbladet har vært blokkert.	Overbelastningsvernet utløses.	▶ Trykk en gang til på innkoblingssperren og av/på-bryteren.
Batteriet festes ikke med et hørbart klikk.	Festetappen på batteriet er skitten.	▶ Rengjør festetappen og sett batteriet inn igjen.
Produktet vibrerer kraftigere enn vanlig.	Sagblad feil montert.	▶ Demonter sagbladet og monter det på nytt.
LED-ene på batteriet indikerer ingenting	Defekt batteri	▶ Kontakt Hilti service.

10 Kassering



ADVARSEL

Fare for personskade ved ikke-forskriftsmessig kassering! Gasser eller væsker som lekker ut, utgjør en helsefare.

- ▶ Ikke send skadde batterier i posten eller på annen måte!
- ▶ Dekk til kontaktene med et ikke-ledende materiale for å unngå kortslutning.
- ▶ Kasser batterier slik at de er utilgjengelige for barn.
- ▶ Lever inn batteriet i nærmeste **Hilti Store**, eller kontakt et lokalt renovasjonsfirma.

Hilti produkter er i stor grad laget av gjenvinnbare materialer. Riktig materialsortering er en forutsetning for gjenvinning. I mange land tar **Hilti** imot ditt gamle apparat for gjenvinning. Spør **Hilti** kundeservice eller forhandleren.



- ▶ Kast aldri elektroverktøy, elektronisk utstyr eller batterier i husholdningsavfallet!

11 Produsentgaranti

- ▶ Når det gjelder spørsmål om garantibetingelser, ber vi deg kontakte din lokale **Hilti**-partner.

12 Ytterligere informasjon

Du finner mer informasjon om betjening, teknologi, miljø og resirkulering under følgende lenke: qr.hilti.com/manual?id=2276609&id=2276671

Denne lenken finner du også som QR-kode bakerst i dokumentasjonen.



Alkuperäiset ohjeet

1 Tämän käyttöohjeen tiedot

1.1 Tästä käyttöohjeesta

- **Varoitus!** Ennen tuotteen käyttämistä varmista, että olet lukenut ja ymmärtänyt tuotteen mukana toimitetun käyttöohjeen ja sen sisältämät ohjeet, neuvot sekä turvallisuus- ja varoitushuomautukset, kuvat ja tekniset erittelyt. Perehdy etenkin kaikkiin ohjeisiin, turvallisuus- ja varoitushuomautuksiin, kuviin, teknisiin erittelyihin sekä tuotteen osiin ja toimintoihin. Ellei määräyksiä, ohjeita ja neuvoja noudateta, aiheutuu sähköiskun, tulipalon ja/tai vakavien vammojen vaara. Säilytä käyttöohje ja kaikki ohjeet sekä turvallisuus- ja varoitushuomautukset myöhemmää käyttötarvetta varten.
- **HILTI** -tuotteet on tarkoitettu ammattikäyttöön, ja niitä saa käyttää, huoltaa tai korjata vain valtuutettu, koulutettu henkilö. Käyttäjän pitää olla hyvin perillä käyttöön liittyvistä vaaroista. Tuote ja sen varusteet saattavat aiheuttaa vaaratilanteita, jos kokemattomat henkilöt käyttävät tuotetta ohjeiden vastaisesti tai muutoin asiattomasti.
- Oheinen käyttöohje vastaa tekniikan tasoa painatushetkellä. Katso uusin versio internetistä Hiltin tuotesivustolta. Sinne pääset tässä käyttöohjeessa olevasta linkistä tai QR-koodilla, joka on merkitty symbolilla
- Varmista, että tämä käyttöohje on mukana, kun luovutat tuotteen toiselle henkilölle.

1.2 Merkkien selitykset

1.2.1 Varoitushuomautukset

Varoitushuomautukset varoittavat tuotteen käyttöön liittyvistä vaaroista. Seuraavia varoitustekstejä käytetään:

VAKAVA VAARA

VAKAVA VAARA !

- ▶ Varoittaa uhkaavasta vaaratilanteesta, josta voi seurauksena olla vakava loukkaantuminen tai jopa kuolema.

VAARA

VAARA !

- ▶ Varoittaa mahdollisesta vaarasta, josta voi seurauksena olla vakava loukkaantuminen tai kuolema.

VAROITUS

HUOMIO !

- ▶ Varoittaa mahdollisesta vaaratilanteesta, josta voi seurata loukkaantuminen tai aineellinen vahinko.

1.2.2 Symbolit käyttöohjeessa

Tässä käyttöohjeessa käytetään seuraavia symboleita:

	Noudata käyttöohjetta
	Toimintaohjeita ja muuta hyödyllistä tietoa
	Kierrätyskelpoisten materiaalien käsittely
	Älä hävitä sähkölaitteita ja akkuja tavallisen sekajätteen mukana
	Hilti Litiumioniakku
	Hilti Laturi

1.2.3 Symbolit kuvissa

Kuvissa käytetään seuraavia symboleita:

- 2** Nämä numerot viittaavat vastaavaan kuvaan tämän käyttöohjeen alussa.



3	Numerointi kertoo työvaiheiden järjestyksen kuvissa ja saattaa poiketa numeroinnista tekstissä.
	Kohtanumeroita käytetään kuvassa Yleiskuva , ja ne viittaavat kuvatekstien numerointiin kappalessa Tuoteyhteenveto .
	Tämän merkin tarkoitus on kiinnittää erityinen huomiosi tuotteen käyttöön ja käsittelyyn.

1.3 Tuotekohtaiset symbolit

1.3.1 Yleiset symbolit

Symbolit, joita käytetään tässä tuotteessa.

n_0	Nimellisjoutokäyntikierrosluku
	Tasavirta
	Pyörimissuuntanuoli
RPM	Kierrosta minuutissa
	Halkaisija
	Sahanterä
	Tuote tukee langatonta tiedonsiirtoa, joka on yhteensopiva iOS- ja Android-alustojen kanssa.
	Jos tuotteessa on tämä, kyseinen tarkastuslaitos on sertifioinut tuotteen Yhdysvaltojen ja Kanadan markkinoille niillä voimassa olevien standardien mukaisesti.
Li-Ion	Litiumioniakku
	Älä koskaan käytä akkua lyöntityökaluna.
	Älä päästä akkua putoamaan. Älä käytä akkua, johon on kohdistunut isku tai joka on muutoin vaurioitunut.

1.3.2 Käskysymbolit

Tuotteessa käytetään seuraavia käskysymboleita:

	Käytä suojalaseja
--	-------------------

2 Turvallisuus

2.1 Sähkötyökaluja koskevat yleiset turvallisuusohjeet

⚠ VAKAVA VAARA Lue kaikki turvallisuus- ja käyttöohjeet, selostukset ja tekniset tiedot, jotka liittyvät tähän sähkötyökaluun. Seuraavien ohjeiden noudattamatta jättäminen saattaa johtaa sähköiskuun, tulipaloon ja/tai vakavaan loukkaantumiseen.

Säilytä kaikki turvallisuus- ja käyttöohjeet huolellisesti vastaisen varalle.

Turvallisuusohjeissa käytetty käsite "sähkötyökalu" tarkoittaa verkkokäyttöisiä sähkötyökaluja (joissa verkkojohto) ja akkukäyttöisiä sähkötyökaluja (joissa ei verkkojohtoa).

Työpaikan turvallisuus

- ▶ **Pidä työskentelyalue siistinä ja hyvin valaistuna.** Työpaikan epäjärjestys ja valaisemattomat työalueet voivat johtaa tapaturmiin.
- ▶ **Älä käytä sähkötyökalua räjähdysalttiissa ympäristössä, jossa on syttyvää nestettä, kaasua tai pölyä.** Sähkötyökalut synnyttävät kipinöitä, jotka saattavat sytyttää pölyn tai höyryt.
- ▶ **Pidä lapset ja sivulliset loitolla sähkötyökalua käyttäessäsi.** Voit menettää koneen hallinnan huomiosi suuntautuessa muualle.



Sähköturvallisuus

- ▶ **Sähkötyökalun pistokkeen pitää sopia pistorasiaan.** Pistoketta ei saa muuttaa millään tavalla. **Älä käytä pistorasia-adaptoreita suojamaadotettujen sähkötyökalujen yhteydessä.** Alkuperäisessä kunnossa olevat pistokkeet ja sopivat pistorasiat vähentävät sähköiskun vaaraa.
- ▶ **Vältä koskettamasta sähköä johtaviin pintoihin kuten putkiin, pattereihin, liesiin ja jääkaappeihin.** Sähköiskun vaara kasvaa, jos kehosi maadottuu.
- ▶ **Älä aseta sähkötyökalua alttiiksi sateelle tai kosteudelle.** Veden tunkeutuminen sähkötyökalun sisään lisää sähköiskun vaaraa.
- ▶ **Älä kanna tai ripusta sähkötyökalua verkkojohdostaan äläkä vedä pistoketta irti pistorasiasta johdosta vetämällä.** Pidä johto loitolla kuumuudesta, öljystä, terävistä reunoista ja liikkuvista osista. Vahingoittuneet tai toisiinsa kietoutuneet johdot lisäävät sähköiskun vaaraa.
- ▶ **Kun käytät sähkötyökalua ulkona, käytä ainoastaan ulkokäyttöön soveltuvia jatkojohtoja.** Ulkokäyttöön soveltuvan jatkojohdon käyttö pienentää sähköiskun vaaraa.
- ▶ **Jos sähkötyökalua on välttämätöntä käyttää kosteassa ympäristössä, käytä vikavirtasuojakytkintä.** Vikavirtasuojakytkimen käyttö pienentää sähköiskun vaaraa.

Henkilöturvallisuus

- ▶ **Ole valpas, kiinnitä huomiota työskentelyysi ja noudata tervettä järkeä sähkötyökalua käyttäessäsi.** **Älä käytä sähkötyökalua, jos olet väsynyt tai huumeiden, alkoholin tai lääkkeiden vaikutuksen alaisena.** Sähkötyökalua käytettäessä hetkellinenkin varomattomuus saattaa aiheuttaa vakavia vammoja.
- ▶ **Käytä henkilökohtaisia suojarusteita ja aina suojalaseja.** Henkilökohtaiset suojarusteet, kuten hengityssuojain, luistamattomat turvajalkineet, kypärä ja kuulosuojaimet, pienentävät oikein käytettyinä loukkaantumisriskiä sähkötyökalun käyttötilanteesta riippuen.
- ▶ **Varo tahatonta käynnistämistä.** Varmista, että sähkötyökalu on kytketty pois päältä, ennen kuin liität sen verkkovirtaan ja/tai liität siihen akun, otat sen käteesi tai kannat sitä. Jos kannat sähkötyökalua sormi käyttökytkimellä tai liität pistokkeen pistorasiaan käyttökytkimen ollessa käyntiasennossa, altistat itsesi onnettomuuksille.
- ▶ **Poista kaikki säätötyökalut ja ruuvitaltat, ennen kuin käynnistät sähkötyökalun.** Työkalu tai avain, joka sijaitsee koneen pyöriässä osassa, saattaa johtaa loukkaantumiseen.
- ▶ **Vältä vaikeita työskentelyasentoja.** Varmista aina tukeva seisoma-asento ja tasapaino. Siten voit paremmin hallita sähkötyökalua odottamattomissa tilanteissa.
- ▶ **Käytä työohsi soveltuvia vaatteita.** Älä käytä löysiä työvaatteita tai koruja. Pidä hiukset, vaatteet ja kineet loitolla liikkuvista osista. Väljät vaatteet, korut ja pitkät hiukset voivat takertua liikkuviin osiin.
- ▶ **Jos pölynpoisto- ja keräilylaitteita voidaan asentaa, sinun on tarkastettava, että ne on liitetty oikein ja että niitä käytetään oikealla tavalla.** Pölynpoistovarustuksen käyttö vähentää pölyn aiheuttamia vaaroja.
- ▶ **Älä tuudittaudu virheelliseen turvallisuuden tunteeseen äläkä laiminlyö sähkötyökaluja koskevia turvallisuusohjeita silloinkaan, kun mielestäsi jo olet kokenut sähkötyökalun käyttäjä.** Harkitsema- ton ja huolimaton toiminta voi sekunnin murto-osissa johtaa vakaviin loukkaantumisiin.

Sähkötyökalun käyttö ja käsittely

- ▶ **Älä ylikuormita konetta.** Käytä kyseiseen työhön tarkoitettua sähkötyökalua. Sopivaa sähkötyökalua käyttäen työskentelet paremmin ja varmemmin tehoalueella, jolle sähkötyökalu on tarkoitettu.
- ▶ **Älä käytä sähkötyökalua, jonka käyttökytkin ei toimi.** Sähkötyökalu, jota ei enää voida käynnistää ja pysäyttää käyttökytkimellä, on vaarallinen ja se täytyy korjata.
- ▶ **Irrota pistoke pistorasiasta ja/tai irrota akku ennen kuin muutat säätöjä, vaihdat terää tai lisävarusteita ja kun lopetat koneen käyttämisen.** Tämä turvatoimenpide estää sähkötyökalun tahattoman käynnistysriskin.
- ▶ **Säilytä sähkötyökalut poissa lasten ulottuvilta, kun niitä ei käytetä.** Älä anna toisten henkilöiden käyttää konetta, elleivät he ole perehtyneet sen käyttöön ja lukeneet käyttöohjeita. Sähkötyökalut ovat vaarallisia, jos niitä käyttävät kokemattomat henkilöt.
- ▶ **Hoida sähkötyökaluja ja niiden varusteita huolella.** Tarkasta, että liikkuvat osat toimivat moitteettomasti eivätkä ole puristuksissa, ja tarkasta myös, ettei sähkötyökalussa ole murtuneita tai vaurioituneita osia, jotka saattaisivat haitata sen toimintaa. Korjauta vaurioituneet osat ennen koneen käyttämistä. Usein loukkaantumisten ja tapaturmien syyinä on sähkötyökalujen laiminlyöty huolto.
- ▶ **Pidä terät terävinä ja puhtaina.** Huolella hoidetut terät, joiden leikkausreunat ovat teräviä, eivät jumitu herkästi, ja niillä työnteko on kevyempää.
- ▶ **Käytä sähkötyökalua, lisävarusteita ja tarvikkeita, teriä jne. niiden käyttöohjeiden mukaisesti.** Ota tällöin työolosuhteet ja suoritettava työtehtävä huomioon. Sähkötyökalun käyttö muuhun kuin sille tarkoitettuun käyttöön saattaa johtaa vaarallisiin tilanteisiin.



- **Pidä käsikahvat ja tartuntapinnat kuivina, puhtaina, öljyttöminä ja rasvattomina.** Jos käsikahvat tai tartuntapinnat ovat liukkaat, sähkötyökalun turvallinen käyttö ja hallinta voi yllättävissä tilanteissa olla mahdotonta.

Akkukäyttöisen sähkötyökalun käyttö ja käsittely

- **Lataa akku vain valmistajan suositamalla laturilla.** Jos laturi on tarkoitettu vain tietyn akkumallin lataamiseen, palovaara on olemassa, jos laturia käytetään muiden akkujen lataamiseen.
- **Käytä ainoastaan juuri kyseiseen sähkötyökaluun tarkoitettua akkua.** Jonkun muun akun käyttö saattaa johtaa loukkaantumiseen ja tulipaloon.
- **Pidä irrallinen akku loitolla metalliesineistä, kuten paperinliittimistä, kolikoista, avaimista, nauhoista, ruuveista tai muista pienistä metalliesineistä, jotka voivat oikosulkea akun liittimet.** Akun liittimien välinen oikosulku saattaa aiheuttaa palovammoja tai johtaa tulipaloon.
- **Väärästä käytöstä johtuen saattaa akusta vuotaa nestettä, jota ei saa koskettaa. Vältä kosketusta sen kanssa. Tarvittaessa huuhtelee kosketuskohta vedellä. Jos nestettä pääsee silmiin, tarvitaan lisäksi lääkärin apua.** Akusta vuotava neste saattaa aiheuttaa ärsytystä ja palovammoja.
- **Älä käytä akkua, joka on vaurioitunut tai johon on tehty muutoksia.** Vaurioitunut akku tai akku, jota on muutettu, saattaa käyttäytyä yllättävästi ja aiheuttaa tulipalon, räjähdyksen ja vammoja.
- **Varjele akkua avotulelta ja korkeilta lämpötiloilta.** Avotuli tai yli 130 °C:n (265 °F) lämpötila voi aiheuttaa räjähdyksen.
- **Noudata kaikkia akun lataamisesta annettuja ohjeita, ja lataa akku tai akun sisältävä sähkötyökalu aina käyttöohjeessa mainittuja lämpötilarajoja noudattaen.** Akun virheellinen lataaminen tai lataaminen sallitun lämpötila-alueen lämpötiloita noudattamatta saattaa johtaa akun tuhoutumiseen ja aiheuttaa tulipalovaaran.

Huolto

- **Anna koulutettujen ammattihenkilöiden korjata sähkötyökalusi ja hyväksy korjauksiin vain alkupe räisiä varaosia.** Siten varmistat koneen turvallisuuden säilymisen.
- **Älä koskaan yritä huoltaa vaurioitunutta akkua.** Akkujen kaikki huoltotyöt saa suorittaa vain valmistaja tai sen valtuuttama huoltopiste.

2.2 Kaikkia sahoja koskevat turvallisuusohjeet

Sahaustapa

- **⚠ VAKAVA VAARA: Älä vie käsiäsi sahausalueelle tai lähelle sahanterää. Pidä toisella kädelläsi kiinni lisäkahvasta tai moottorikotelosta.** Kun pidät sahasta kiinni molemmin käsin, et voi satuttaa käsiäsi sahanterään.
- **Älä tartu työkappaleeseen kiinni sen alapinnalta.** Teräsuojus ei voi suojata käsiäsi sahanterältä työkappaleen alapuolelta.
- **Sääädä sahausvyövyys aina sahattavan työkappaleen vahvuuden mukaisesti.** Työkappaleen toiselta puolelta pitää tulla näkyviin sahanterää vähemmän kuin terän täyden hammaskorkeuden verran.
- **Älä koskaan pidä sahattavaa työkappaletta paikallaan käsin tai jalalla. Saha työkappaleet aina tukevalla alustalla.** Työkappaleen kunnollinen kiinnittäminen on tärkeää, jotta estät työkappaletta tai sahaa koskettamasta kehoasi tai sahanterää tarttumasta kiinni ja jotta varmistat koneen hallinnan säilyttämisen.
- **Tartu sähkötyökaluun vain sen eristetyistä kahvapinnoista, jos teet työtä, jossa terä saattaa osua rakenteen sisällä olevaan virtajohtoon.** Jos terä osuu virtajohtoon, sähkötyökalun metalliosiin saattaa johtua virta, jolloin saatat saada sähköiskun.
- **Käytä rajoitinta tai suoraa reunaohjainta aina kun teet pitkittäistä sahausta.** Siten saat aikaan tarkempaa jälkeä ja estät sahanterää tarttumasta kiinni.
- **Käytä aina oikean kokoista sahanterää, jonka kiinnitysreikä on oikean muotoinen (esimerkiksi tähtimäinen tai pyöreä).** Sahassa oleviin kiinnitysosiin sopimaton sahanterä ei pyöri tasaisesti, mikä saattaa johtaa koneen hallinnan menettämiseen.
- **Älä koskaan käytä vaurioituneita tai vääranlaisia sahanterän aluslevyjä tai -ruuveja.** Sahanterän aluslevyt ja -ruuvit on suunniteltu erityisesti kuhunkin sahaan, jotta sahan teho ja käyttöturvallisuus olisivat parhaat mahdolliset.

Takaisku - sen syyt ja siihen liittyvät turvallisuusohjeet

- Takaisku on sahanterän kiinni tarttumisen tai takertumisen tai sahanterän väärin suunnattujen hampaiden vuoksi syntyvä tilanne, jossa saha itsestään pyrkii ylöspäin ja nousemaan irti työkappaleesta kohti koneen käyttäjää;
- jos sahanterä tarttuu kiinni tai takertelee kaventuvaan sahausrakoon, sahanterä jumittuu, ja moottorin voima iskee konetta takaisinpäin kohti sahan käyttäjää;



- jos sahanterä taipuu sahausraossa tai on vääriin suunnattu, sahanterän takareunan hampaat saattavat tarttua kiinni työkappaleen pintaan, minkä seurauksena sahanterä liikkuu ylös sahausraosta ja saha iskee takaisinpäin kohti koneen käyttäjää.

Takaisku aiheutuu sahan vääristä tai virheellisestä käyttämisestä. Sen esiintymistä voit välttää noudattamalla seuraavassa annettuja ohjeita.

- ▶ **Pidä sahasta kunnolla molemmin käsin kiinni ja pidä kätesi asennossa, jossa pystyt hyvin vastustamaan mahdollisia takaiskuvoimia. Pysytte aina sahanterän sivulla, älä koskaan asetu samaan linjaan sahanterän kanssa.** Takaiskun sattuessa pyörösaha voi ponnahtaa taaksepäin, mutta käyttäjä pystyy sopivin toimenpitein hallitsemaan näitä takaiskuvoimia.
- ▶ **Jos sahanterä tarttuu kiinni tai keskeytät työnteon, kytke saha pois päältä ja odota sahanterä työkappaleessa, kunnes sahanterä on kokonaan pysähtynyt. Älä koskaan yritä nostaa sahaa irti työkappaleesta tai vetää sahaa taaksepäin sahanterän vielä pyöriessä, sillä muutoin takaisku saattaa yllättää.** Määritä ja poista sahanterän kiinni tarttumisen syy.
- ▶ **Kun haluat käynnistää uudelleen sahan, jonka terä on työkappaleessa, keskitä ensin sahanterä sahausrakoon ja tarkasta, ettei sahanterän yksikään hammas ole kiinni työkappaleessa.** Jos sahanterä tarttuu kiinni, sahanterä saattaa ponnahtaa irti työkappaleesta tai aiheuttaa takaiskun, kun käynnistät sahan uudelleen.
- ▶ **Tue levyt tai suuremmat työkappaleet hyvin, jotta sahanterän mahdollisen kiinni tarttumisen aiheuttama takaiskuvaara vähenee.** Suuremmat levyt saattavat oman painonsa vuoksi taipua. Levyjä on siksi tuettava molemmilta sivuilta sekä sahausraon ja reunan läheltä.
- ▶ **Älä käytä tylsiä tai vaurioituneita sahanteriä.** Tylsät sahanterät tai sahanterät, joiden hampaiden suuntaus on väärä, tekevät sahausraosta liian ahtaan, mikä lisää kitkaa ja sahanterän kiinni tarttumisen vaaraa.
- ▶ **Kiristä sahausvyöyden ja sahauskulman säädöt kiinni ennen sahaamista.** Jos muutat säätöjä sahaamisen aikana, sahanterä voi tarttua kiinni, ja saha saattaa iskeä takaisin.
- ▶ **Ole erityisen varovainen upottaessasi terää seinään tai muuhun kohteeseen, jonka rakennetta et näe tarkasti.** Materiaaliin upotettava sahanterä saattaa tarttua kiinni materiaalin sisällä oleviin kappaleisiin tai esineisiin, minkä seurauksena kone iskee takaisin.

Teräsuojuksen toiminta

- ▶ **Tarkasta aina ennen koneen käyttämistä, että teräsuojus sulkeutuu kunnolla. Älä käytä sahaa, jos teräsuojus ei liiku vapaasti tai sulkeudu nopeasti. Älä koskaan kilaa tai muutoin sido teräsuojusta; tällöin sahanterä olisi suojatta esillä.** Jos saha vahingossa putoaa, teräsuojus saattaa taipua. Varmista, että teräsuojus liikkuu vapaasti ja ettei se missään sahauskulmassa ja -syvytydessä kosketa sahanterään tai muihin osiin.
- ▶ **Tarkasta teräsuojuksen jousen kunto ja toiminta. Korjauta kone ennen käyttämistä, jos teräsuojus ja jousi eivät toimi kunnolla.** Vaurioituneet osat, kiinni takertuva sahanpuru ja lika tai lastut saattavat hidastaa alemman teräsuojuksen toimintaa.
- ▶ **Jos upotat sahanterän muussa kuin suorassa kulmassa, varmista ettei sahan pohjalevy pääse siirtymään sivusuunnassa.** Sivusuuntainen siirtyminen voi johtaa sahanterän kiinni tarttumiseen ja siten takaiskuun.
- ▶ **Älä laske sahaa työpöydälle tai lattialle, jos teräsuojus ei peitä sahanterää.** Suojaamaton, vielä pyörivä sahanterä liikuttaa sahaa sahaussuuntaan nähden vastakkaiseen suuntaan ja sahaa kaiken, mitä eteen sattu. Tämän vuoksi varo sahanterän pysähdyksiin pyörimistä.

2.3 Muut turvallisuusohjeet

Henkilöturvallisuus

- ▶ Älä koskaan tee sähkötyökaluun tai sen lisävarusteisiin minkäänlaisia muutoksia.
- ▶ Käytä sähkötyökaluun vain, kun sen suojalaitteet ovat asianmukaisesti paikoillaan.
- ▶ Jos käytät sähkötyökaluun ilman poistomuria, pölyävää työtä tehtäessä on aina käytettävä hengityssuojainta.
- ▶ Pidä sähkötyökaluun aina kiinni käsikahvoista molemmin käsin.
- ▶ Käytä kuulosuojaimia. Melu saattaa heikentää kuuloasi.
- ▶ Pidä työssäsi rentouttavia taukoja, joiden aikana tee sormivoimisteluliikkeitä varmistaaksesi sormiesi hyvän verenkierron.
- ▶ Sähkötyökaluun ei ole tarkoitettu voimiltaan heikkojen henkilöiden käyttöön ilman opastusta.
- ▶ Kytke sähkötyökalu päälle vasta työkohteessa, kun olet asettanut työkalun työn aloittamiskohtaan.
- ▶ Irrota akku, jos sähkötyökaluun toiminnassa ilmenee häiriö tai kun vaihdat työkaluterää tai lisävarusteosia, sekä sähkötyökaluun varastoinnin ja kuljettamisen ajaksi.
- ▶ Älä tee sähkötyökaluun työtä pääsi yläpuolelle.



- ▶ Älä hidasta sähkötyökalun kierroslukua painamalla sahanterää sivusuuntaan.
- ▶ Ennen akun kiinnittämistä varmista, että saha on kytketty pois päältä ja että käynnistymisen estopainike on lukittunut. Siten estät sähkötyökalun vahingossa käynnistymisen.
- ▶ Älä koske kiristyslaippaan ja laipan kiinnitysruuviin sähkötyökalun käydessä.
- ▶ Ennen kuin lasket sähkötyökalun kädestäsi, odota että sahanterä on täysin pysähtynyt.
- ▶ Ennen kuin vaihdat työkaluterää, odota että sähkötyökalu on jäähtynyt.
- ▶ Älä koskaan käytä karajarrua sahanterän pyöriessä.
- ▶ Älä suuntaa sähkötyökalua ihmisiä kohti.
- ▶ Käynnistymisen estopainikkeen pitää aina olla lukittuneena, kun vaihdat lisävarusteosan tai akun ja kun kuljetat sähkötyökalua tai varastoit sen.
- ▶ Käytä aina työkappaleen materiaaliin ja ominaisuuksiin sopivaa sahanterää.
- ▶ Älä koskaan kiinnitä tähän sähkötyökaluun minkäänlaista hiomalaikkaa.
- ▶ Sähkötyökalun on aina oltava päälle kytkettynä, kun viet sen työkappaleeseen.
- ▶ Sovita työskentelyvoimasi sahanterään ja sahattavaan materiaaliin. Siten estät sahanterän juuttumisen ja mahdollisen takaiskun.
- ▶ Vältä sahanterän hampaiden kärkien ylikuumentumista.
- ▶ Kiinnitetyn työkaluterän sallitun kierrosluvun pitää olla vähintään yhtä suuri kuin sähkötyökalun ilmoitettu maksimikierrosluku. Sallittua nopeammin pyörivä työkaluterä saattaa murtua, jolloin sen kappaleita voi sinkoutua vaarallisesti.
- ▶ Älä työskentele ympäristössä, jossa on erittäin runsaasti pölyä.
- ▶ Hiottaessa, kiillotettaessa, leikattaessa ja porattaessa syntyvä pöly saattaa sisältää vaarallisia kemikaaleja. Niistä esimerkkejä ovat: liijy tai liijypitoiset maalit; tiili, betoni ja muut muuraustuotteet, luonnonkivi ja muut siilikaatteja sisältävät tuotteet; tietyt puulajit kuten tammi, pyökki ja kemiallisesti käsitellyt puut; asbesti tai asbestia sisältävät materiaalit. Määritä työstettävien materiaalien vaaraluokituksen perusteella käyttäjän ja lähellä olevien henkilöiden altistumisvaara. Ryhdy tarvittaviin toimenpiteisiin altistumisen pitämiseksi turvallisella tasolla, esimerkiksi käytettävä pölynkeräysjärjestelmää tai soveltuvaa hengityssuojainta. Altistumisen määrää pienentäviä yleisluonteisia toimenpiteitä ovat:
 - ▶ työn tekeminen hyvin tuulettuvassa tilassa,
 - ▶ pitkään kestävä pölyaltistuksen välttäminen,
 - ▶ pölyn ohjaaminen pois kasvoilta ja keholta,
 - ▶ suojavaatetuksen käyttö ja kehon altistuneiden kohtien pesu vedellä ja saippualla.
- ▶ Käytä (ja varmista että myös muut työskentelyalueella olevat henkilöt käyttävät) aina hengityssuojainta, joka vastaa työn vaarojen mukaisia vaatimuksia.
- ▶ Käytä (ja varmista että myös muut sähkötyökalun käyttöalueella olevat henkilöt käyttävät) soveltuvia suojalaseja, suojakypärää, kuulosuojaimia, suojakäsineitä ja turvakengkiä.
- ▶ Selvitä työssä syntyvän pölyn vaarallisuus ennen työn aloittamista. Käytä rakennustyömaakäyttöön hyväksyttyä pölynimuria, joka täyttää viralliset pölysuojaluokitusmääräykset.
- ▶ Noudata kansallisia työturvallisuus- ja työsuojelumääräyksiä.
- ▶ Käytä työkappaleen kiinnittämiseen ja tukevaan paikallaan pitämiseen sopivia kiinnittimiä tai muuta soveltuvaa tapaa. Työkappaleen pitäminen paikallaan käsin tai keholla painaen ei ole riittävän tukevaa, mikä saattaa johtaa koneen ja työkappaleen hallinnan menettämiseen. Älä anna työkaverin pitää työkalupäätä paikallaan.
- ▶ Älä koskaan sahaa materiaaleja, joista et tiedä mitä niiden sisällä on, ja pidä sahauskohdan ylä- ja alapuoli vapaana. Esteeseen osuva sahanterä voi aiheuttaa sähkötyökalun takaiskun.
- ▶ Putoamaan pääsevät työkalut ja/tai lisävarusteet aiheuttavat loukkautumisvaaran. Ennen työn aloittamista tarkasta, että kiinnitetty lisävaruste on kunnolla kiinnitetty.
- ▶ Kun sahaat imuria käyttäen, vältä pölysuojuksen ja imuletkun koskettamista. Runsaasti pölyä synnyttävät materiaalit lisäävät hankaussähköiskun vaaraa.
- ▶ Varmista, ettei sahauslinjalla ole mitään esteitä, esimerkiksi nauloja, ruuveja tai muita metalliesineitä.
- ▶ Käytä vain **Hiltin** suosittelemia sahanteriä, jotka vastaavat standardia EN 847-1.
- ▶ Muovia sahatessasi varo, ettei työkalupäälle kuumene liikaa ja sula.

Sähköturvallisuus

- ▶ Ennen työn aloittamista tarkasta esimerkiksi metallinilmaisimella, onko työskentelyalueella rakenteiden sisällä sähköjohtoja ja kaasu- tai vesiputkia. Sähkötyökalun ulkopinnan metalliosiin saattaa johtua jännite, jos vahingossa osut sähköjohtoon. Siitä aiheutuu sähköiskun vakava vaara.



2.4 Akkujen käyttö ja hoito

- ▶ **Noudata seuraavia turvallisuusohjeita, jotka varmistavat litiumioniakkujen turvallisen käsittelyn ja käytön.** Ohjeiden noudattamatta jättäminen saattaa aiheuttaa ihoärsytystä, vakavia syöpymisvammoja, kemiallisia palovammoja, tulipalon ja/tai räjähdysriskin.
- ▶ Käytä vain akkua, joka on teknisesti moitteettomassa kunnossa.
- ▶ Käsittele akkuja huolellisesti, jotta vältät vauriot ja terveydelle vakavasti vaarallisten nesteiden vuotamisen ulos!
- ▶ Akkuja ei saa mitenkään muuttaa tai manipuloida!
- ▶ Akkuja ei saa avata, puristaa, kuumentaa lämpötilaan yli 80 °C (176 °F) tai polttaa.
- ▶ Älä käytä tai lataa akkua, johon on kohdistunut isku tai joka muutoin on vaurioitunut. Tarkasta akustasi vaurioiden merkit säännöllisin välein.
- ▶ Älä koskaan käytä kierrätettyä tai korjattua akkua.
- ▶ Älä käytä akkua tai akkukäyttöistä sähkötyökalua koskaan lyöntityökaluna.
- ▶ Älä koskaan altista akkua suoralle auringonpaisteelle, korkealle lämpötilalle, kipinöille tai avotulelle. Siitä voi aiheutua räjähdys.
- ▶ Älä kosketa akun napoja sormilla, työkaluilla, koruilla tai muilla metallisilla esineillä. Seurauksena akku voi vaurioitua ja aiheuttaa aineellisia vahinkoja tai vammoja.
- ▶ Älä altista akkua sateelle, kosteudelle tai nesteille. Sisään tunkeutunut kosteus voi aiheuttaa oikosulun, sähköiskun, palovammoja tai räjähdysriskin.
- ▶ Käytä aina vain tälle akkutyypille tarkoitettuja latureita ja sähkötyökaluja. Noudata niiden käyttöohjeissa annettuja ohjeita.
- ▶ Älä käytä tai varastoi akkua räjähdysvaarallisessa ympäristössä.
- ▶ Jos akku on liian kuuma koskea, se saattaa olla vaurioitunut. Laita akku palovaarattomaan paikkaan ja riittävän etäälle syttyvistä materiaaleista. Anna akun jäähtyä. Jos akku vielä tunnin kuluttuakin on liian kuuma koskea, akku on vaurioitunut. Ota yhteys **Hilti**-huoltoon tai lue dokumentti "**Hilti**-litiumioniakkujen turvallisuuteen ja käyttöön liittyviä ohjeita".

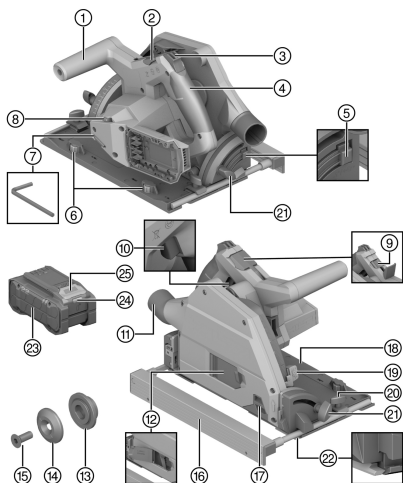


Noudata erityisiä ohjeita ja direktiivejä, jotka koskevat litiumioniakkujen kuljettamista, varastointia ja käyttöä. ➡ 100

Lue **Hilti**-litiumioniakkujen turvallisuuteen ja käyttöön liittyvät ohjeet, jotka saat skannaamalla tämän käyttöohjeen lopussa olevan QR-koodin.



3.1 Tuoteyhteenvedo



- ① Lisäkäsikahva
- ② Sahanterän vaihdon salpavipu
- ③ Käynnistymisen estopainike
- ④ Pääkäsikahva
- ⑤ Sahauskulman -1° ja 47° lukituksen vapautuspainike
- ⑥ Välyksen tasauksen säätöpyörä (ohjainkiskon ja pohjalevyn ohjainuran välinen väly)
- ⑦ Kuusiokanta-avain
- ⑧ Sahanterän kierrosluvun säätöpyörä
- ⑨ Karajarru
- ⑩ Käyttökytkin
- ⑪ Lastunohjain / poistoimuliitäntä
- ⑫ Luukku sahanterän vaihtoa varten
- ⑬ Kiinnityslaippa
- ⑭ Kiristyslaippa
- ⑮ Kiinnitysruuvi
- ⑯ Reunaohjain
- ⑰ Siirrettävä pölysuojuslasi
- ⑱ Pohjalevy
- ⑲ Leikkaussyvyyden säätö
- ⑳ Reunaohjaimen kiinnitysruuvi
- ㉑ Sahauskulmasäädön kiinnitysruuvi
- ㉒ Adaptiivinen sahausosoitin
- ㉓ Akku
- ㉔ Akun tilanäyttö
- ㉕ Akun lukituksen vapautuspainike

3.2 Tarkoituksenmukainen käyttö

Kuvattu tuote on akkukäyttöinen upotuspyörösaha. Se on tarkoitettu ainoastaan seuraavien materiaalien sahaukseen ja upotusleikkauksiin:

- Puu ja puun kaltaiset materiaalit
- Muovit
- Kipsikartonkilevyt
- Kuitusementtilevyt
- Ei-rautametallit

Tuote on suunniteltu puusepän töihin ja sisärakentamiseen.

Pyörösahassa on lisävarusteiselle pölynpoistolaitteelle liitäntä, johon yleismallinen imuriletku sopii. Pölynpoistolaitteen letkun liittäminen sahaan saattaa vaatia sopivan adapterin.

Käytä tässä tuotteessa vain sille hyväksytyjä sahanteriä, jotka vastaavat Tekniset tiedot -kohdassa annettuja tietoja (esimerkiksi halkaisija, kierrosluku, vahvuus, materiaali jne...). Hioma- ja katkaisulaikat sekä suurlejeeringistä valmistetut pikaterästerät (HSS) eivät ole sallittuja.

Sahaa vain tasaisia työkappaleita, jotka vastaavat pohjalevyn kosketuspintaan riittävän suurelta alalta.

- Käytä tässä tuotteessa vain tyyppisarjan B 22 **Hilti**-litiumioniakkuja. **Hilti** suosittaa, että tässä tuotteessa käytetään tämän käyttöohjeen lopussa olevassa taulukossa mainittuja akkuja.
- Käytä näiden akkujen lataamiseen vain tämän käyttöohjeen lopussa mainittujen tyyppisarjojen **Hilti**-latureita.

3.3 Toimituksen sisältö

Akkupyörösaha, sahanteriä, käyttöohje





Muita tälle tuotteelle hyväksytyjä järjestelmätuotteita löydät **Hilti Store** -liikkeestä tai nettiosoitteesta: www.hilti.group

3.4 Litiumioniakun näyttö

Hilti Nuron -litiumioniakuissa on lataustilan, vikailmoitusten ja akun kunnan näyttö.

3.4.1 Lataustilan ja vikailmoitusten näyttö



VAARA

Loukkaantumisvaara akun putoamisesta aiheutuva!

- Varmista, että akku on kunnolla lukittunut tuotteeseen, jos akun paikalleen laittamisen jälkeen olet painanut lukituksen vapautuspainiketta.

Jotta jokin seuraavista näytöistä voi tulla näyttöön, paina akun lukituksen vapautuspainiketta lyhyesti. Lataustila ja mahdolliset häiriöt pysyvät näytössä niin kauan, kuin liitetty tuote on päälle kytketty.

Tila	Merkitys
Neljä (4) LED-merkkivaloa palaa jatkuvasti vihreänä	Lataustila: 100...71 %
Kolme (3) LED-merkkivaloa palaa jatkuvasti vihreänä	Lataustila: 70...51 %
Kaksi (2) LED-merkkivaloa palaa jatkuvasti vihreänä	Lataustila: 50...26 %
Yksi (1) LED palaa jatkuvasti vihreänä	Lataustila: 25...10 %
Yksi (1) LED-merkkivalo vilkkuu hitaasti vihreänä	Lataustila: < 10 %
Yksi (1) LED-merkkivalo vilkkuu nopeasti vihreänä	Litiumioniakku on täysin tyhjentynyt. Lataa akku. Jos LED-merkkivalo akun lataamisen jälkeenkin vielä vilkkuu nopeasti, ota yhteys Hilti -huoltoon.
Yksi (1) LED-merkkivalo vilkkuu nopeasti keltaisena	Litiumioniakku tai siihen liitetty tuote on ylikuormittunut, liian kuuma tai liian kylmä tai jokin muu vika on olemassa. Saata tuote ja akku suositeltuun käyttölämpötilaan ja älä ylikuormita tuotetta sitä käyttäessäsi. Jos viesti edelleen on näytössä, ota yhteys Hilti -huoltoon.
Yksi (1) LED-merkkivalo palaa keltaisena	Litiumioniakku ja siihen liitetty tuote eivät ole yhteensopivat. Ota yhteys Hilti -huoltoon.
Yksi (1) LED-merkkivalo vilkkuu nopeasti punaisena	Litiumioniakku on estetty eikä sitä voida käyttää. Ota yhteys Hilti -huoltoon.

3.4.2 Akun kunnan näyttö

Litiumioniakun kunnan voit hakea näyttöön painamalla akun lukituksen vapautuspainiketta yli kolmen sekunnin ajan. Järjestelmä tunnistaa akun mahdollisen virheellisen toiminnan väärin käyttämisen seurauksena, esimerkiksi akku päässyt putoamaan, akussa reikä, akussa ulkoisen lämmön aiheuttama vaurio jne.

Tila	Merkitys
Kaikki LED-merkkivalot syttyvät juoksevasti ja sitten yksi (1) LED-merkkivalo jää palamaan vihreänä.	Акун käyttämistä voidaan jatkaa.
Kaikki LED-merkkivalot syttyvät juoksevasti ja sitten yksi (1) LED-merkkivalo vilkkuu nopeasti keltaisena.	Kyselyä akun kunnosta ei saatu tehtyä loppuun saakka. Toista tämä vaihe tai ota yhteys Hilti -huoltoon.
Kaikki LED-merkkivalot syttyvät juoksevasti ja sitten yksi (1) LED-merkkivalo jää palamaan punaisena.	Jos liitettyä tuotetta voi edelleen käyttää, jäljellä oleva akkukapasiteetti on alle 50 %. Jos liitettyä tuotetta ei enää voi käyttää, akku on tullut käyttöikänsä päähän ja vaihdettava. Ota yhteys Hilti -huoltoon.



4 Tekniset tiedot

4.1 Tuotteen ominaisuudet

	SC 6WP-22
Tuotesukupolvi	01
Paino	3,3 kg (EPTA-Procedure 01 mukaan ilman akkua)
Paino (reunaohjain)	0,45 kg
Mitat (P × L × K)	360 mm × 200 mm × 237 mm
Runkolevyn paksuus	1 mm ... 1,5 mm
Max. sahausvyvyys	57 mm
Nimellisjoutokäyntikierrosluku	6 000/min
Nimellisjännite	21,6 V

4.2 Sahanterätyypit ja niiden käyttökohteet

Sahanterätyyppi	Käyttöhuomaus
Yleissahanterä Hienon pinnan sahanterä	Puu ja puupohjaiset materiaalit
Kuitusementtisahanterä	Kuitusementti tai kuitusementti-pohjaiset materiaalit

4.3 Varastointi- ja käyttölämpötila

Varastointilämpötila	-20 °C ... 70 °C
Ympäristön lämpötila käytettäessä	-17 °C ... 60 °C

4.4 Akku

Akkutoimintajännite	21,6 V
Akun paino	Ks. tämän käyttöohjeen loppu
Ympäristön lämpötila käytettäessä	-17 °C ... 60 °C
Varastointilämpötila	-20 °C ... 40 °C
Akun lämpötila lataamisen alkaessa	-10 °C ... 45 °C

4.5 Melutiedot ja värinäarvot

Tässä käyttöohjeessa annetut äänenpaine- ja värinäarvot on mitattu standardoitujen mittausmenetelmien mukaisesti, ja näitä arvoja voidaan käyttää sähkötyökalujen vertailussa. Ne soveltuvat myös altistumisten tilapäiseen arviointiin.

Annetut arvot koskevat sähkötyökalun pääasiallisia käyttötarkoituksia. Jos sähkötyökalua kuitenkin käytetään muihin tarkoituksiin, poikkeavia työkaluteriä käyttäen tai puutteellisesti huollettuna, arvot voivat poiketa tässä ilmoitetuista. Tämä saattaa merkittävästi lisätä altistumista koko työskentelyajan aikana.

Altistumisia tarkasti arvioitaessa on otettava huomioon myös ne ajat, jolloin sähkötyökalu on kytketty pois päältä tai jolloin sähkötyökalu on päällä, mutta sillä ei tehdä varsinaista työtä. Tämä saattaa merkittävästi vähentää altistumista koko työskentelyajan aikana.

Käyttäjän suojaamiseksi melun ja/tai värinän vaikutukselta ryhdy tarpeellisiin turvatoimenpiteisiin kuten: Sähkötyökalun ja siihen kiinnitettävien työkaluterien huolto, käsien lämpimänä pitäminen, työtehtävien organisointi.



Yksityiskohtaista tietoa tässä sovelletuista **EN 62841**-standardin versioista löydät kohdasta Vaatimus-tenmukaisuusvakuutuksen kuva 313.



Melutiedot

Äänitehotaso (L_{WA})	106 dB(A)
Äänitehotason epävarmuus (K_{WA})	3 dB(A)
Äänenpainetaso (L_{pA})	98 dB(A)
Äänenpainetaso epävarmuus (K_{pA})	3 dB(A)

Tärinän kokonaisarvot

Lastulevyn sahaaminen ($a_{h,W}$)	B 22-55	0,9 m/s ²
Alumiinilevyn sahaaminen ($a_{h,M}$)	B 22-55	1,7 m/s ²
Epävarmuus (K)		1,5 m/s ²

5 Työkohteen valmistelu

VAARA

Loukkaantumiswaara vahingossa käynnistymisen seurauksena!

- ▶ Varmista ennen akun kiinnittämistä, että tuote on kytketty pois päältä.
- ▶ Irrota akku, ennen kuin muutat koneen säätöjä tai vaihdat lisävarusteosia.

Noudata tässä dokumentaatioissa ja tuotteessa olevia turvallisuus- ja varoitushuomautuksia.

5.1 Akun lataus

1. Ennen lataamista lue laturin käyttöohje.
2. Varmista, että liittimet akussa ja laturissa ovat puhtaat ja kuivat.
3. Lataa akku hyväksytyllä laturilla. 92

5.2 Akun kiinnitys

VAARA

Loukkaantumiswaara akun oikosulun tai putoamisen seurauksena!

- ▶ Ennen akun paikalleen laittamista varmista, ettei akun liittimissä akussa ja tuotteessa ole vieraita esineitä.
- ▶ Varmista, että akku aina lukittuu kunnolla paikalleen.

1. Lataa akku täyteen ennen ensimmäistä käyttökertaa.
2. Työnnä akku tuotteeseen siten, että akku kuuluvasti lukittuu paikalleen.
3. Tarkasta, että akku on kunnolla kiinni.

5.3 Akun irrotus

1. Paina akun lukituksen vapautuspainiketta.
2. Vedä akku irti tuotteesta.

5.4 Putoamissuoja

VAARA

Loukkaantumiswaara työkalun ja/tai lisävarusteen putoamisvaaran vuoksi!

- ▶ Käytä vain tuotteellesi suositeltua **Hilti**-työkaluliinaa.
- ▶ Aina ennen käyttöä tarkasta työkaluliinan kiinnityspisteen mahdolliset vauriot.



Noudata maassasi voimassa olevia korkealla tehtävien töiden määräyksiä ja ohjeita.

Käytä tämän tuotteen putoamissuojana ainoastaan **Hilti**-työkaluliinaa #2261971.

- ▶ Kiinnitä työkaluliina lenkistään tuotteeseen kuvan mukaisesti. Tarkasta kunnollinen kiinnitys.



- Kiinnitä karbiinikoukku kantavaan rakenteeseen. Tarkasta, että karbiinikoukku on kunnolla kiinni.



Noudata **Hilti**-työkaluliinan käyttöohjetta.

5.5 Uputusyksikön asettaminen kiinnitysasentoon 3



Uputusyksiköllä on asennusasento, jossa kiinnitysruuviin pääsee käsiksi kiinnitysaukon kautta. Asennusasentoa voit säätää salpavivulla.

Kun käännät salpavivun taaksepäin (perusasento), upotusyksikkö ponnahtaa takaisinpäin. Pidä tuotteesta kiinni pääkavhasta, jotta saat kontrolloidusti ohjattua upotusyksikön lähtöasentoonsa.

1. Aseta tuote siten, että voit upottaa sen maksimisyvyyteen (esimerkiksi pöydän reunalle).
2. Avaa sahanterän kiinnityksen luukku.
3. Aseta sahausyvyyden säädön osoitin maksimiarvoon (1).
4. Käännä salpavivu ylöspäin (kiinnitysasento) (2).
5. Paina käynnistymisen estopainiketta (3), pidä se painettuna ja upota upotusyksikkö kiinnitysasentoon.
 - Uputusyksikkö lukittuu kuultavasti kiinnitysasentoon.
 - Kiinnitysruuvi näkyy kiinnitysaukkaan keskitettynä.

5.6 Sahanterän irrottaminen 4



VAARA

Sahanterän, kiinnitysruuvin ja kiristyslaipan aiheuttama palovamma- ja haavavammavaara Seurauksena voi olla palovammoja ja haavoja.

- Käytä suojakäsineitä, kun vaihdat työkalua.

1. Aseta upotusyksikkö kiinnitysasentoon. 96
2. Paina karajarrun painiketta ja pidä painettuna (1).
3. Avaa kiinnitysruuvi kuusiokoloavaimella (2).



Ota pyörimissuuntanuoli huomioon: kiinnitysruuvin avaat kiertämällä sitä sahanterän pyörimissuuntaan.

4. Irrota kiinnitysruuvi ja kiristyslaippa.
5. Irrota sahanterä alaspäin teräsuojuksesta.



Tarvittaessa kiinnityslaippa voidaan irrottaa puhdistamista varten.

5.7 Sahanterän kiinnittäminen 5, 6

Varmista, että sahanterä, jonka aiot kiinnittää sahaan, täyttää tekniset vaatimukset ja on hyvin teroitettu. Moitteettoman sahausjäljen perusedellytys on terävä sahanterä.

Aina ennen tuotteen käyttöä valitse sahattavalle materiaalille soveltuva sahanterä.

1. Aseta upotusyksikkö kiinnitysasentoon. 96
2. Puhdista kiinnitys- ja kiristyslaippa (1).
3. Aseta kiinnityslaippa oikein paikalleen käyttökaraan.
4. Aseta uusi sahanterä paikalleen (2).
 - Ota huomioon sahanterässä (3) ja suojuksessa (4) oleva pyörimissuuntanuoli. Näiden pyörimissuuntanuolien pitää vastata toisiaan.
5. Aseta kiristyslaippa oikein paikalleen.
6. Kierrä kiinnitysruuvi paikalleen.
7. Paina karajarrun painiketta ja pidä painettuna (5).
8. Kiristä kiinnitysruuvi kuusiokoloavaimella kiinni (6).



Ota pyörimissuuntanuoli huomioon: kiinnitysruuvin kiristät kiertämällä sitä sahanterän pyörimissuuntaa vastaan.

9. Tarkasta sahanterän kunnollinen kiinnitys.



10. Pidä tuotteesta kiinni pääkäsiä kahvasta.
11. Aseta lukitusvipu perusasentoonsa ja käännä upotusyksikkö takaisin perusasentoonsa (7).
12. Sulje sahanterän kiinnityksen luukku.

5.8 Siirrettävä pölysuojulasi

Lastujen optimaaliseksi imuroinniksi työnnä pölysuojulasi aina mahdollisimman lähelle työkalpaletta.

5.9 Sahaussyvyyden säätö 7



Sahaussyvyys pitää aina säätää noin 5–10 mm suuremmaksi kuin sahattavan materiaalin vahvuus.

1. Paina sahaussyvyyden säädön lukituksen vapautuspainiketta (1), ja pidä se painettuna.
2. Työnnä luisti tarvittavaan sahaussyvyyteen (2).
 - ▶ Sahaussyvyyden osoittimessa on erillinen osoitin sahaukselle ohjainkiskoa käyttäen (3) ja sahaukselle ilman ohjainkiskoa (4).
3. Vapauta sahaussyvyyden säädön lukituksen vapautuspainike.

5.10 Jiirisahauskulman säätö 8



- Vältä erilaiset kulmasäädöt etu- ja takapäässä, kun kiristäessäsi et paina lisäkahvasta tai sahasta. Erilaiset kulmasäädöt saattavat estää suoraan sahaamista.

1. Löystytä sahauskulmasäädön kaksi kiinnitysruuvia (1).
2. Käännä tuote haluamaasi sahauskulmaan.
 - ▶ Jos haluat säätää kulmaksi -1° tai yli 45° (enintään 47°), paina lukituksen vapautuspainiketta (2), ja pidä se painettuna.
3. Kiristä sahauskulmasäädön toinen kiinnitysruuvi kiinni.
4. Kiristä vastapäisellä puolella oleva sahauskulmasäädön kiinnitysruuvi kiinni.

5.11 Sahanterän kierrosluvun säätö

Käytä aina kierroslukua, joka soveltuu käytettävälle sahanterälle ja työstettävälle materiaalille. Soveltuvan kierrosluvun käytöllä vältät sahanterän hampaiden ylikuumentumisen, ja siten pidennät sahanterän käyttöikä.

- ▶ Kierrä kierrosluvun säätöpyörä vastaavaan asentoon.

5.12 Reunaohjaimen kiinnitys 9



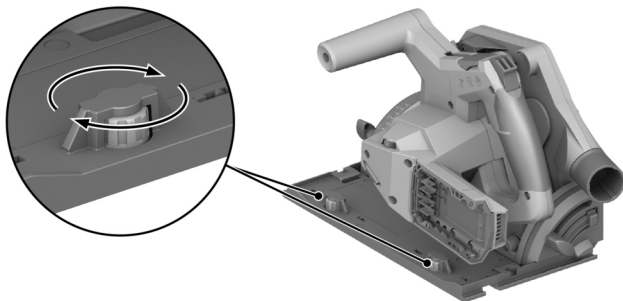
Tuotteeseen kiinnittämisestä riippuen reunaohjainta voidaan käyttää näihin kahteen toimintoon:

- L-muotoinen reuna alaspäin:
Reunaohjain tasaiseen sahaukseen reunaa pitkin.
- L-muotoinen reuna ylöspäin:
Pohjalevyn laajentaminen sahaamisen vakaampaa ohjausta varten sahattaessa ilman ohjainkiskoa.

1. Avaa kummatkin kiinnitysruuvit.
2. Työnnä reunaohjain kiinnitysaukoihin pohjalevyssä.
3. Säädä reunaohjain sahaamiseen tarvittavaan etäisyyteen.
 - ▶ Varmista, että etäisyys on molemmilla puolilla yhtäsuuri.
4. Kiristä kummatkin kiinnitysruuvit kiinni.



5.13 Tuotteen asettaminen ohjainkiskoon



1. Aseta tuote pohjalevyn urastaan ohjainkiskon ohjainharjanteeseen.
2. Tarkasta ohjainkiskon ja pohjalevyn välinen välys.
3. Säädä välys epäkeskoruuveilla **(1)**:
 - ▶ Välyksen pienentämiseksi kierrä epäkeskoruuveja myötäpäivään.
 - ▶ Välyksen suurentämiseksi kierrä epäkeskoruuveja vastapäivään.
4. Säädä välys mahdollisimman pieneksi, mutta siten, ettei liukuminen esty.

6 Käyttö

Noudata tässä dokumentaatioissa ja tuotteessa olevia turvallisuus- ja varoitushuomautuksia.

6.1 Kytkeminen päälle tai pois päältä

Kytkeminen päälle

1. Paina käynnistymisen estopainiketta ylöspäin ja pidä painettuna.
2. Paina käyttökytkintä ja pidä se painettuna.
3. Vapauta käynnistymisen estopainike.



Käynnistymisen estopainike pysyy eston poiston asennossa niin kauan, kun pidät käyttökytkimen painettuna tai kun upotusyksikkö on upotusasennossa. Käynnistymisen estopainike ponnahtaa automaattisesti takaisin eston asentoon, kun upotusyksikkö on perusasennossaan ja vapautat käyttökytkimen.

Kytkeminen pois päältä

4. Aseta upotusyksikkö takaisin perusasentoonsa.
5. Vapauta käyttökytkin.

6.2 Pölyn ja lastujen hallinta

- Sahaaminen käyttäen **imuria**:
Liitä imuletku poistoimaukkoon ja noudata imurin käyttöohjeessa annettuja ohjeita.
- Sahaaminen käyttäen **pölypussia**:
Kiinnitä pölypussi adapterilla imurille tarkoitettuun poistoimaukkoon.



Voit käyttää tätä tuotetta myös ilman pölyhallintamenetelmää. Varmista, että sahauspöly ja lastut pääsevät esteettä ulos tuotteesta.

6.3 Sahaus piirtoreunaa pitkin **11**



Sahaa vain tasaisia työkalpeita, jotka vastaavat pohjalevyn kosketuspintaan riittävän suurelta alalta.



1. Varmista, että työkappale pysyy paikallaan, ja merkitse sahausksen kulku (piirtolinja).
2. Säädä sahaussyvyys. 97
3. Aseta tuote adaptiivisella sahausosoittimella piirtolinjalle.
4. Kytke tuote päälle. 98
 - ▶ Tuotteen upotusliike on mahdollinen vain, kun käyttökytkin ei ole lukittuna.
5. Upota upotusyksikkö vasteeseen saakka työkappaleeseen (1).
6. Ohjaa tuote sopivalla nopeudella työkappaleen läpi.
7. Käännä upotusyksikkö sahanterän pyöriessä takaisin perusasentoonsa (2).

Siten estät sahanterän juuttumisen työkappaleeseen.

8. Kytke tuote pois päältä, kun upotusyksikkö on perusasennossaan. 98

6.4 Upotussahaus

1. Säädä sahaussyvyys. 97
2. Aseta tuote työkappaletta vasten.
3. Kytke tuote päälle. 98
 - ▶ Tuotteen upotusliike on mahdollinen vain, kun käyttökytkin ei ole lukittuna.
4. Upota tuote työkappaleeseen vasteeseen saakka.
5. Ohjaa tuote sopivalla nopeudella työkappaleen läpi.
6. Käännä tuote irti työkappaleesta.
7. Kytke tuote pois päältä, kun upotusyksikkö on perusasennossaan. 98

6.5 Jiirisahaus (kulmasahaus)

Tuotteessa on adaptiivinen sahausosoitin, joka mukautuu säädettyyn sahauskulmaan automaattisesti. Adaptiivinen sahausosoitin liittyy vain sahaamiseen ilman ohjainkiskoa. Ohjainkiskoa käyttäen sahtaessa sahauslinja on rakenteellisesti määräytyvä ja säädetystä sahauskulmasta riippumaton.

1. Säädä jiirisahauskulma. 97
2. Aseta tuote adaptiivisella sahausosoittimella piirtolinjalle.
3. Kytke tuote päälle. 98
4. Upota upotusyksikkö työkappaleeseen.
5. Ohjaa tuote ohjainkiskoa pitkin työkappaleen läpi.

6.6 Sahaus ohjainkiskoa käyttäen **10**

1. Kiinnitä ohjainkisko kahdella ruuvipuristimella.
2. Aseta pohjalevy urastaan ohjainkiskon ohjainharjanteeseen.
3. Säädä jiirisahauskulma. 97
4. Säädä sahaussyvyys. 97
5. Kytke tuote päälle. 98
6. Upota upotusyksikkö työkappaleeseen.
7. Ohjaa tuote ohjainkiskoa pitkin työkappaleen läpi.

7 Huolto, hoito ja kunnossapito

VAARA

Loukkaantumisvaara jos akku paikallaan !

- ▶ Irrota akku aina ennen hoito- ja kunnostustöitä!

Tuotteen hoito

- Puhdista pinttynyt lika varovasti.
- Jos tuotteessa on jäähdytysilmaraat, puhdista ne varovasti kuivalla ja pehmeällä harjalla.
- Puhdista kotelon pinnat vain kevyesti kostutetulla kankaalla. Älä käytä silikonisia sisältäviä hoitoaineita, sillä ne saattavat vaurioittaa muoviosia.



- Käytä tuotteen liittimien puhdistamiseen vain puhdasta ja kuivaa kangaspalaa.

Litiumioniakkujen hoito

- Älä koskaan käytä akkua, jos sen jäähdytysilmaraat ovat tukkeutuneet. Puhdista jäähdytysilmaraat varovasti kuivalla, pehmeällä harjalla.
- Vältä altistamista akkua tarpeettomasti pölylle tai lialle. Älä koskaan altista akkua suurelle kosteudelle (esimerkiksi upota veteen tai jätä sateeseen).

Jos akku on pahoin kastunut, käsittele sitä kuin vaurioitunutta akkua. Eristä akku palamattomasta materiaalista valmistettuun astiaan ja ota yhteys **Hilti**-huoltoon.

- Pidä akku öljyttömänä ja rasvattomana. Älä anna pölyn ja lian kertyä akun pintaan. Puhdista akku kuivalla, pehmeällä harjalla tai puhtaalla, kuivalla kankaalla. Älä käytä silikonia sisältäviä hoitoaineita, sillä ne saattavat vaurioittaa muoviosia.

Älä kosketa akun liittimiä äläkä poista akun liittimiin tehtaalla laitettua rasvaa.

- Puhdista kotolon pinnat vain kevyesti kostutetulla kankaalla. Älä käytä silikonia sisältäviä hoitoaineita, sillä ne saattavat vaurioittaa muoviosia.

Kunnossapito

- Tarkasta säännöllisin välein kaikkien näkyvien osien mahdolliset vauriot ja käyttöelementtien moitteeton toiminta.
- Jos havaitset vaurioita ja/tai toimintahäiriöitä, älä käytä tuotetta. Korjauta tuote viipymättä **Hilti**-huollossa.
- Hoito- ja kunnostustöiden jälkeen kiinnitä kaikki suojalaitteet takaisin ja tarkasta niiden moitteeton toiminta.



Käyttöturvallisuuden varmistamiseksi käytä vain alkuperäisiä varaosia ja käyttömateriaaleja. **Hiltin** tälle tuotteelle hyväksymiä varaosia, kulutusmateriaaleja ja lisävarusteita löydät **Hilti Store** -liikkeestä tai osoitteesta: www.hilti.group

7.1 Suojalaitteiden puhdistus

1. Puhdista suojalaitteet varovasti kuivalla harjalla.
2. Poista suojalaitteiden sisälle kertynyt massa ja lastut sopivalla työkalulla.

7.2 Lastukanavan puhdistus

1. Jos olet kiinnittänyt poistoimuliitäntään imurin, irrota imuletku poistoimuliitännästä.
2. Puhdista lastukanava harjalla.

8 Akkukäyttöisten työkalujen ja akkujen kuljetus ja varastointi

Kuljettaminen



VAROITUS

Käynnistyminen vahingossa kuljetuksen aikana !

- ▶ Kuljeta tuotteesi aina akku irrotettuna!
- ▶ Irrota akku/akut.
- ▶ Älä koskaan kuljeta akkuja irrallaan muiden tavaroiden joukossa. Akut on suojattava kuljetuksen ajaksi kovilta iskuilta ja värinäiltä, ja ne on eristettävä kaikenlaisista sähköä johtavista materiaaleista ja muista akuista, jotta niiden navat eivät pääse kosketuksiin muiden akkujen napojen kanssa. Seurauksena saattaisi olla oikosulku. **Noudata maakohtaisia akkujen kuljetusmääryksiä.**
- ▶ Akkuja ei saa koskaan lähettää postitse. Käännä kuljetusyrityksen puoleen, kun haluat lähettää vaurioittomia akkuja.
- ▶ Tarkasta tuotteen ja akun mahdolliset vauriot aina ennen käyttöä sekä ennen pitkää kuljetusta ja sen jälkeen.

Varastointi



VAARA

Viallinen tai vuotava akku voi aiheuttaa vaurioita !

- ▶ Varastoi tuotteesi aina akku irrotettuna!
- ▶ Varastoi tuote ja akut viileässä ja kuivassa paikassa. Ota teknisissä tiedoissa annetut lämpötilarajat huomioon.
- ▶ Akkuja ei saa säilyttää laturissa. Irrota akku laturista aina latauksen päätyttyä.



- ▶ Älä koskaan varastoi akkuja auringonpaisteessa, lämmönlähteen päällä tai ikkunan vieressä.
- ▶ Varastoi tuote ja akut lasten ja asiattomien henkilöiden ulottumattomissa.
- ▶ Tarkasta tuotteen ja akun mahdolliset vauriot aina ennen käyttöä sekä ennen pitkää varastointia ja sen jälkeen.

9 Apua häiriötilanteisiin

Kaikissa häiriötilanteissa tarkkaile akun tilanäyttöä. Ks. kappale **Litiumioniakun merkkivalot**.

Häiriöissä, joita ei ole kuvattu tässä taulukossa tai joita et itse pysty poistamaan, ota yhteys **Hilti**-huoltoon.

Häiriö	Mahdollinen syy	Ratkaisu
Käyttökytkintä ei saa painetua tai se on jumissa.	Ei vika (turvallisuuustoiminto).	▶ Paina käynnistymisen estopainiketta.
Kierrosluku laskee yhtäkkiä runsaasti.	Akku tyhjentynyt. Työskentelyvoima liian suuri.	▶ Lataa akku. ▶ Kevennä työskentelyvoimaa ja kytke tuote takaisin päälle.
Ei imutehoa tai imuteho heikko	Lastukanava tukossa.	▶ Puhdista lastukanava. 100
Tuote ei käynnisty itsestään sahanterän jumittumisen jälkeen.	Ylikuormitussuoja laukeaa.	▶ Paina käynnistymisen estopainiketta ja käyttökytkintä uudelleen.
Akku ei lukitu paikalleen selvästi naksauttaen.	Akun korvake likaantunut.	▶ Puhdista salpanokka ja kiinnitä akku uudelleen paikalleen.
Tuote tarvitsee normaalia voimakkaammin.	Sahanterä väärin kiinnitetty.	▶ Irrota sahanterä ja kiinnitä se uudelleen.
Akun LED-merkkivalot eivät näytä mitään	Akku rikki	▶ Ota yhteys Hilti -huoltoon.

10 Hävittäminen

VAARA

Määräystenvastaisten hävittäminen aiheuttaa loukkaantumisaavaan! Ulos vuotavat kaasut tai nesteet vaarantavat terveyden.

- ▶ Älä lähetä vaurioituneita akkuja!
- ▶ Peitä liitännät sähköä johtamattomalla materiaalilla oikosulkujen välttämiseksi.
- ▶ Hävitä akut siten, etteivät ne voi joutua lasten käsiin.
- ▶ Hävitä akku viemällä se **Hilti Store** -liikkeeseen tai käänny vastuullisen jätteenkäsittely-yrityksen puoleen.

Hilti-tuotteet on pääosin valmistettu kierrätyskelpoisista materiaaleista. Kierrätyksen edellytys on materiaalien asianmukainen lajittelu. Useissa maissa **Hilti** ottaa vanhat koneet ja laitteet vastaan kierrästyä ja hävitystä varten. Lisätietoja saat **Hilti**-huollosta tai -edustajalta.



- ▶ Älä hävitä sähkötyökaluja, elektronia laitteita ja akkuja tavallisen sekajätteen mukana!

11 Valmistajan myöntämä takuu

- ▶ Jos sinulla on takuuehtoihin liittyviä kysymyksiä, ota yhteys paikalliseen **Hilti**-edustajaan.

12 Lisätietoja

Lisätietoa käytöstä, tekniikasta, ympäristöstä ja kierrätyksestä saat seuraavan linkin kautta: qr.hilti.com/manual?id=2276609&id=2276671

Sama linkki on myös QR-koodina dokumentaation lopussa.



Originaalkasutusjuhend

1 Andmed kasutusjuhendi kohta

1.1 Käesoleva käsitlemisjuhendi kohta

- **Hoiatus!** Enne toote kasutamist veenduge, et olete tootele lisatud kasutusjuhendi, sealhulgas juhised, ohutus- ja hoiatusviited, joonised ja spetsifikatsioonid, läbi lugenud ja sellest aru saanud. Tutvuge eriti kõigi juhiste, ohutus- ja hoiatusviidete, jooniste, spetsifikatsioonide ning komponentide ja funktsioonidega. Selle eiramisel esineb elektrilöögi, tulekahju ja/või raskete vigastuste oht. Hoidke kasutusjuhend koos kõigi juhiste, ohutus- ja hoiatusviidetega hilisemaks kasutamiseks alles.
- **HILTI** tooted on ette nähtud professionaalsele kasutajale ja neid tohivad käsitseda, hooldada ja korras hoida ainult volitatud ja asjaomase väljaõppega isikud. Nimetatud personal peab olema teadlik kõikidest kaasnevatest ohtudest. Seade ja sellega ühendatavad abivahendid võivad osutada ohtlikuks, kui neid ei kasutata nõuetekohaselt või kui nendega töötab vastava väljaõppeta isik.
- Lisatud kasutusjuhend vastab tehnika käesolevale tasemele trükki andmise ajal. Uusima versiooni leiata alati veebist Hilti toote leheküljelt. Järgige selleks sümboliga tähistatud linki või QR-koodi käesolevas kasutusjuhendis.
- Andke toode teistele edasi ainult koos käesoleva kasutusjuhendiga!

1.2 Märkide selgitus

1.2.1 Hoiatused

Hoiatused annavad märku toote kasutamisel tekkivatest ohtudest. Kasutatakse järgmisi märksõnu:



OHT

OHT !

- ▶ Võimalikud ohtlikud olukorrad, mis võivad põhjustada kasutaja raskeid kehavigastusi või hukkumist.



HOIATUS

HOIATUS !

- ▶ Võimalik ohtlik olukord, mis võib põhjustada kasutaja raskeid kehavigastusi või hukkumist.



ETTEVAATUST

ETTEVAATUST !

- ▶ Võimalikud ohtlikud olukorrad, mis võivad põhjustada kehavigastusi või varalist kahju.

1.2.2 Sümbolid kasutusjuhendis

Käesolevas kasutusjuhendis kasutatakse järgmisi sümboleid:

	Järgige kasutusjuhendit
	Soovitused seadme kasutamiseks ja muu kasulik teave
	Taaskasutatavate materjalide käsitlemine
	Elektrilisi tööriistu ja akusid ei tohi visata olmejäätmete hulka
	Hilti Li-Ion-aku
	Hilti Laadimisseade

1.2.3 Joonistel kasutatud sümbolid

Joonistel kasutatakse järgmisi sümboleid.

2	Numbrid viitavad vastavatele joonistele kasutusjuhendi juhendi alguses.
3	Numeratsioon kajastab tööetappide järjekorda pildi kujul ja võib tekstis kirjeldatud tööetappidest kõrvale kalduda.



11	Positsiooninumbreid kasutatakse joonisel Ülevaade ja need viitavad selgituste numbritele lõigus Toote ülevaade .
	See märk näitab, et toote käsitlemisel tuleb olla eriti tähelepanelik.

1.3 Tootepõhised sümbolid

1.3.1 Üldised sümbolid

Sümbolid, mida kasutatakse kombinatsioonis seadmega.

n_0	Nimipöörlemiskiirus tühikäigul
---	Alalisvool
➔	Pöörlemissuuna nool
RPM	Pööret minutis
\emptyset	Läbimõõt
	Saeketas
	Seade toetab andmete traadita ülekandmist, mis on ühildatav iOS- ja Android-platvormidega.
	Kui tootel on vastav märgis, siis on sertifitseerimisasutus toote sertifitseerinud vastavalt Ameerika Ühendriikide ja Kanada turul kehtivatele standarditele.
Li-Ion	Liitumioonaku
	Ärge kasutage akut kunagi lõögiriistana.
	Ärge laske akul kunagi maha kukkuda. Ärge kasutage akut, mis on saanud löögi või on muul moel kahjustatud.

1.3.2 Kohustavad märgid

Tootel kasutatakse järgmisi kohustavaid märke:

	Kandke kaitseprille
--	---------------------

2 Ohutus

2.1 Üldised ohutusnõuded elektriliste tööriistade kasutamisel

⚠ HOIATUS! Lugege kõiki selle elektrilise tööriista juurde kuuluvaid ohutusjuhiseid, nõuandeid, jooniseid ja tehnilisi andmeid! Järgmiste juhiste eiramise tagajärg võib olla elektrilöök, tulekahju ja/või rasked vigastused.

Hoidke kõik ohutusnõuded ja juhised edaspidiseks kasutamiseks alles.

Ohutusjuhistes kasutatud mõiste "elektriline tööriist" käib võrgutoitega (toitejuhtmega) elektriliste tööriistade või akutoitega (toitejuhtmeta) elektriliste tööriistade kohta.

Ohutus töökohal

- ▶ **Hoidke oma töökoht puhas ja valgustage seda korralikult.** Korrastamata ja valgustamata töökoht võib põhjustada õnnetusi.
- ▶ **Ärge kasutage elektrilist tööriista plahvatusohtlikus keskkonnas, kus leidub tuleohtlikke vedelikke, gaase või tolmu.** Elektrilistest tööriistadest lööb sädemeid, mis võivad tolmu või auru süüdata.
- ▶ **Hoidke lapsed ja kõik teised töökohast eemal, kui kasutate elektrilist tööriista!** Kui teie tähelepanu juhitakse kõrvale, võib seade teie kontrolli alt väljuda.



Elektriohutus

- ▶ **Elektrilise tööriista pistik peab sobima pistikupesasse. Pistiku juures ei tohi teha mingeid muudatusi. Kaitsemaandusega seadmete puhul ei tohi kasutada adapterpistikuid.** Muutmata pistikud ja sobivad pistikupesad vähendavad elektrilöögiohtu.
- ▶ **Vältige keha kontakti maandatud pindadega (nt toru, radiaator, pliit, külmik).** Kui teie keha on maandatud, on elektrilöögi oht suurem.
- ▶ **Kaitske elektrilist tööriista vabastada niiskuse eest.** Kui elektrilise tööriista sisemusse satub vett, suurendab see elektrilöögiohtu.
- ▶ **Ärge kasutage ühenduskaablit elektrilise tööriista kandmiseks, riputamiseks ega pistiku stepslist väljatõmbamiseks!** Hoidke ühenduskaablit eemal kuumusest, õidest, teravatest servadest ja liikuvatest osadest. Kahjustatud või keerdsed ühenduskaablid suurendavad elektrilöögiohtu.
- ▶ **Kui töötate elektrilise tööriistaga vabas õhus, kasutage ainult selliseid pikendusjuhtmeid, mida tohib kasutada ka välitingimustes.** Välitingimustes sobiva pikendusjuhtme kasutamine vähendab elektrilöögiohtu.
- ▶ **Kui seadmega töötamine niiskes keskkonnas on vältimatu, kasutage rikkevoolu kaitseülilülitit.** Rikkevoolu kaitseülilülitit kasutamine vähendab elektrilöögiohtu.

Inimeste ohutus

- ▶ **Olge tähelepanelik, jälgige, mida teete, ja toimige elektrilise tööriistaga töötades kaalutletult. Ärge töötage elektrilise tööriistaga, kui olete väsinud või alkoholi, narkootikumide või ravimite mõju all!** Hetkeline tähelepanematus elektrilise tööriista kasutamisel võib põhjustada raskeid kehavigastusi ja varalist kahju.
- ▶ **Kandke isiklikke kaitsevahendeid ja alati kaitseprille.** Isiklike kaitsevahendite, nt tolmu maski, libisemiskindlate turvajalatsite, kaitsekiivri või kuulmiskaitsevahendite kandmine (sõltuvalt elektrilise tööriista tüübist ja kasutusala) vähendab vigastusohtu.
- ▶ **Vältige elektrilise tööriista soovimatut käivitamist! Enne elektrilise tööriista ühendamist vooluvõrku ja/või elektrilise tööriista aku paigaldamist, tööriista ülestõstmist ja kandmist veenduge, et elektriline tööriist on välja lülitatud!** Kui hoiate elektrilise tööriista kandmisel sõrme lülil või ühendate vooluvõrku sisselülitatud tööriista, võib juhtuda õnnetus.
- ▶ **Enne elektrilise tööriista sisselülitamist eemaldage selle küljest seade- ja mutrivõtmed.** Elektrilise tööriista pöörleva osa küljes olev seade- või mutrivõti võib põhjustada vigastusi.
- ▶ **Vältige ebatavalist tööasendit! Võtke stabiilne tööasend ja säilitage alati tasakaal.** Nii saate elektrilist tööriista ootamatutes olukordades paremini kontrollida.
- ▶ **Kandke sobivat rõivastust. Ärge kandke laiu riideid ega ehteid!** Hoidke juuksed, rõivad ja kindad seadme liikuvatest osadest eemal. Lotendavad riided, ehted ja pikad juuksed võivad sattuda seadme liikuvate osade vahele.
- ▶ **Kui elektrilise tööriista külge on võimalik paigaldada tolmuemaldus- ja kogumisseadiseid, veenduge, et need on tööriistaga ühendatud ja et neid kasutatakse nõuetekohaselt.** Tolmuemaldusseadise kasutamine võib vähendada tolmu tingitud ohte.
- ▶ **Ärge laske tekkida petlikul turvatundel ega eirake elektrilise tööriista ohutusreegleid isegi siis, kui olete pärast paljukordset kasutamist elektrilise tööriistaga harjunud.** Tähelepanematu käsitsemine võib sekundi mürdosa jooksul kaasa tuua raskeid vigastusi.

Elektrilise tööriista kasutamine ja käsitsemine

- ▶ **Ärge koormake seadet üle!** Kasutage konkreetseks tööks sobivat elektrilist tööriista. See töötab ettenähtud jõudluspiirides tõhusamalt ja ohutumalt.
- ▶ **Ärge kasutage elektrilist tööriista, mille lüliti on rikkis!** Elektriline tööriist, mida ei saa enam lülitist korralikult sisse ja välja lülitada, on ohtlik ning tuleb viia parandusse.
- ▶ **Tõmmake enne seadme mis tahes seadetõid, tarvikute vahetamist ja seadme hoiulepanekut pistikupesast välja ja/või eemaldage äravõetat aku.** See ettevaatusabinõu hoiab ära seadme soovimatu käivitamise.
- ▶ **Kasutusvälisel ajal hoidke elektrilist tööriista lastele kättesaamatus kohas. Ärge laske seadet kasutada isikult, kes seadme tööpõhimõtet ei tunne või ei ole lugenud käesolevaid kasutusjuhendeid.** Asjatundmatute isikute käes on elektrilised tööriistad ohtlikud.
- ▶ **Hooldage elektrilisi tööriistu ja tarvikuid korralikult. Kontrollige, kas liikuvad osad töötavad veatult ega kiilu kiini. Veenduge, et seadme osad ei ole murdunud või kahjustatud määral, mis mõjutab seadme töökindlust. Laske kahjustatud osad enne seadme kasutamist parandada.** Ebapiisavalt hooldatud elektrilised tööriistad põhjustavad õnnetusi.
- ▶ **Hoidke lõiketarvikud teravad ja puhtad.** Hästi hooldatud, teravate lõikeservadega lõiketarvikud kiiluvad harvemini kinni ja neid on lihtsam juhtida.



- ▶ **Kasutage elektrilist tööriista, tarvikuid ja lisatarvikuid vastavalt nende juhiste. Arvestage seejuures töötingimuste ja tehtava töö iseloomuga.** Elektrilise tööriista kasutamine otstarbel, milleks see ei ole ette nähtud, võib põhjustada ohtlikke olukordi.
- ▶ **Käepidemed ja haardepinnad peavad olema kuivad, puhtad ning vabad õlist ja rasvast.** Libedad käepidemed ja haardepinnad ei võimalda elektrilist tööriista ootamatutes olukordades kindlalt käsitseda ega kontrollida.

Aku tööriista kasutamine ja käsitsemine

- ▶ **Laadige akusid ainult tootja soovitatud laadimiseadmega.** Kui teatud tüüpi aku laadimiseks ettenähtud laadimiseadet kasutatakse teist tüüpi akude laadimiseks, tekib tulekahjuoht.
- ▶ **Kasutage elektrilistes tööriistades ainult ettenähtud akusid.** Teist tüüpi akude kasutamine võib põhjustada vigastus- ja põlenguohtu.
- ▶ **Hoidke akud kasutusvälisel ajal eemal kirjaklambritest, müntidest, võtmetest, naeltest, kruvidest ja teistest väikestest metallasemetest, mis võivad aku kontaktid omavahel ühendada.** Aku kontaktide vahel tekkiv lühis võib põhjustada põletuse või tulekahju.
- ▶ **Väärkasutuse korral võib akuvedelik akust välja voolata. Vältige sellega kokkupuudet. Juhusliku kokkupuute korral loputage kahjustatud kohta veega.** Kui vedelik satub silma, otsige ka arstiabi. Väljavoolav akuvedelik võib põhjustada nahaärritust või põletust.
- ▶ **Ärge kasutage kahjustatud ega modifitseeritud akut!** Kahjustatud või modifitseeritud akud võivad käituda ettenägematult ja põhjustada tulekahju, plahvatusi või vigastusohtu.
- ▶ **Ärge laske akul kokku puutuda tule ega liiga kõrge temperatuuriga!** Tuli või temperatuur üle 130 °C (265 °F) võivad tekitada plahvatusi.
- ▶ **Järgige kõiki laadimisjuhiseid ja ärge kunagi laadige akut ega akutööriista väljaspool kasutusjuhendis näidatud temperatuurivahemikku.** Väär laadimine või laadimine väljaspool lubatud temperatuurivahemikku võib kahjustada akut ja suurendada tuleohtu.

Hooldus

- ▶ **Laske elektrilist tööriista parandada ainult kvalifitseeritud spetsialistidel, kes kasutavad originaalvaruosi.** Nii on tagatud elektrilise tööriista ohutu töö.
- ▶ **Ärge hooldage kahjustatud akut!** Akut võib hooldada ainult tootja või volitatud klienditeenindus.

2.2 Ohutusnõuded kõikide saagide kasutamisel

Saagimismeetod

- ▶ **⚠ OHT: Ärge viige oma käsi saagimispiirkonda ega vastu saeketast! Hoidke teise käega lisakäepidemest või mootorikorpusest.** Kui hoiate saagi kahe käega, ei saa saeketas teie käsi vigastada.
- ▶ **Ärge viige käsi tooriku alla!** Tooriku all ei saa kettakaitse teid saeketta eest kaitsta.
- ▶ **Valige tooriku paksusega sobiv lõike sügavus.** Tooriku alt tohib saeketast nähtavale jääda max ühe täishamba ulatuses.
- ▶ **Ärge kunagi hoidke saetavat toorikut käes ega põlve peal! Kinnitage toorik stabiilsele aluspinnale.** Tooriku tugev kinnitamine on oluline, et vähendada kehaga kokkupuute, saeketta kinnikiilumise ja seadme üle kontrolli kaotuse ohtu.
- ▶ **Kui teete töid, mille puhul võib tarvik tabada varjatud elektrijuhtmeid, hoidke seadet ainult isoleeritud käepidemest.** Kontakt pinges all oleva elektrijuhtmega pingestab ka seadme metallosad ja tekitab elektrilöögi.
- ▶ **Kasutage pikilõigete tegemisel alati juhikut või sirget liistu.** See parandab lõiketäpsust ja vähendab saeketta kinnikiilumisohtu.
- ▶ **Kasutage alati õige suuruse ja sobiva (nt tähikukujulise või ümara) siseavaga saekettaid.** Sae osadega sobimatud saekettad pöörlevad ebaühtlaselt ja põhjustavad kontrolli kaotuse seadme üle.
- ▶ **Ärge kunagi kasutage kahjustatud või valesid saeketta alusseibe ega kruvisid!** Saeketta alusseibid ja kruvid on välja töötatud spetsiaalselt sae optimaalse võimsuse ja ohutuse tagamiseks.

Tagasilöök – põhjused ja asjaomased ohutusnõuded

- Tagasilöök on kinnikiilunud või valesti seatud saekettast tingitud järsk reaktsioon, mispeale saag hüppab toorikut kontrollimatult välja ja liigub kasutaja suunas;
- kui saeketas jääb sulguvasse lõikejälje kinni, kiilub saeketas kinni ja mootori jõud paiskab sae kasutaja suunas;
- kui saeketas on lõikejäljes valesti välja rihitud, võivad saeketta tagumise serva hambad tooriku pinda kinni jääda, mispeale saeketas hüppab lõikejäljest välja ja saag paiskub kasutaja suunas.

Tagasilöök on sae vale kasutamise tagajärg. Seda saab ära hoida, kui rakendada järgnevalt kirjeldatud sobivaid ettevaatusabinõusid.



- ▶ **Hoidke saagi alati kahe käega ja viige oma käed asendisse, milles saate tagasilöögile kõige paremini reageerida. Paiknege alati saeketta kõrval. Ärge olge kunagi saekettaga ühel joonel!** Tagasilöögi korral võib ketassaag tahapoole paiskuda. Sobivate meetmete rakendamisega suudab seadme kasutaja tagasilöögijõudu siiski valitseda.
- ▶ **Kui saeketas kinni kiilub või kui te töö katkestate, lülitage saag alati välja ja hoidke seda paigal, kuni saeketas on täielikult seiskunud. Ärge kunagi püüdke saagi toorikust eemaldada või tagasi tõmmata, kui saeketas veel pöörleb – võib tekkida tagasilööök!** Tehke kindlaks ja kõrvaldage saeketta kinnikiilumise põhjus.
- ▶ **Kui tahate saagi, mille saeketas on toorikus, uuesti käivitada, tsentreerige saeketas lõikejaljes ja veenduge, et saehambad ei ole toorikusse haakunud.** Sae käivitamisel võib kinnikiilunud saeketas toorikust välja hüpata või tagasilöögi põhjustada.
- ▶ **Toestage suured plaadid, et vältida kinnikiilunud saekettast põhjustatud tagasilöögiohtu.** Suured plaadid võivad omaenda kaalu mõjul läbi painduda. Plaadid tuleb toestada mõlemalt poolt, nii lõikejalje juurest kui ka servast.
- ▶ **Ärge kasutage nürisid ega kahjustatud saekettaid!** Nüride või valesti rihitud hammastega saekettad tekitavad liiga kitsa lõikejalje, mis põhjustab suuremat hõõrdumist, saeketta kinnikiilumist ja tagasilööki.
- ▶ **Pingutage enne saagimist kinni lõikesügavuse ja lõikenurga regulaatorid.** Kui seaded saagimise ajal muutuvad, võib saeketas kinni kiiluda ja tekitada tagasilöögi.
- ▶ **Eriti ettevaatlik tuleb olla lõigete tegemisel seinu või teistesse varjatud piirkondadesse.** Uputatav saeketas võib varjatud objektidesse kinni kiiluda ja põhjustada tagasilöögi.

Kettakaitsme funktsioon

- ▶ **Kontrollige enne kasutamist alati, kas alumine kettakaitsme sulg on korralikult. Ärge kasutage saagi, kui alumine kettakaitsme ei liigu vabalt ega sulgu korralikult! Ärge kunagi fikseerige ega siduge kettakaitsmet kinni; siis jääb saeketas kaitseta.** Kui saag kogemata maha kukub, võib alumine kettakaitsme kõverduda. Veenduge, et kettakaitsme liigub vabalt ega puuduta mis tahes lõikenurga ja -sügavuse juures saekettast ja teisi osi.
- ▶ **Kontrollige alumise kettakaitsme vedru seisundit ja toimivust. Kui alumine kettakaitsme ja vedru ei tööta veatult, laske saagi enne kasutuselevõttu hooldada.** Kahjustatud detailide, külgekleepunud mustuse ja saepuru tõttu töötab alumine kettakaitsme aeglasemalt.
- ▶ **Kui teete uputuslõikeid, mis ei kulge täisnurga all, kinnitage sae alusplaat nii, et see ei nihkaks külgsuunas kõrvale.** Külgsuunas nihkumine võib kaasa tuua saeketta kinnikiilumise ja põhjustada tagasilöögi.
- ▶ **Ärge asetage saagi tööpingile ega põrandale, kui kettakaitsme saekettast ei kata.** Järelpöörlev katmata saeketas viib sae lõikesuunale vastupidises suunas ja lõikab kõike, mis teele ette jääb. Pöörake tähelepanu sae järelpöörlemisajale.

2.3 Täiendavad ohutusnõuded

Isikurvalisus

- ▶ Ärge muutke ega modifitseerige elektrilist tööriista ega tarvikuid.
- ▶ Kasutage elektrilist tööriista üksnes koos juurdekuuluvate kaitseseadistega.
- ▶ Kui kasutate elektrilist tööriista ilma tolmuimejata, kandke tolmu tekitavate tööde alati kerget tolmukaitsemaski.
- ▶ Hoidke tööriista ettenähtud käepidemetest kahe käega kinni.
- ▶ Kandke kuulmiskaitsevahendeid. Müra võib kahjustada kuulmist.
- ▶ Tehke tööpause ja sõrmeharjutusi, et parandada sõrmede verevarustust.
- ▶ Elektrilist tööriista ei tohi kasutada füüsiliselt nõrgad inimesed, kellel puudub asjaomane väljaõpe.
- ▶ Lülitage elektriline tööriist sisse alles töökohal ja vaid siis, kui olete seadnud selle tööasendisse.
- ▶ Eemaldage aku, kui tööriista puhul esineb probleeme, kui vahetate tarvikuid või lisaseadiseid ning elektrilise tööriista säilitamisel ja transportimisel.
- ▶ Ärge kasutage elektrilist tööriista pea kohal tehtavateks töödeks.
- ▶ Ärge pidurdage seadet, avaldades saekettale külgsurvet.
- ▶ Enne aku paigaldamist veenduge, et saag on välja lülitatud ja sisselülitustõkis on fikseerunud. Nii hoiate ära seadme soovimatust käivitamisest tingitud vigastused.
- ▶ Ärge puudutage kinnitusflantsi ja pingutuskruvi, kui seade töötab.
- ▶ Enne elektritööriista käestpanekut oodake, kuni saeketas on täielikult seiskunud.
- ▶ Enne tarviku vahetamist oodake, kuni seade jahtunud.
- ▶ Ärge kunagi vajutage spindlilukustusnupule saeketta pöörlemise ajal.
- ▶ Ärge suunake seadet inimeste poole.



- ▶ Sisselülitustõkis peab olema alati fikseeritud, kui vahetate tarvikuid või akut, samuti seadme transportimisel ja hoielepanekul.
- ▶ Kasutage alati töödeldava tooriku materjali ja omadustega sobivat saeketast.
- ▶ Ärge kunagi paigaldage sellele elektritööriistale mingit tüüpi lihvkettaid.
- ▶ Viige elektritööriist vastu toorikut üksnes siis, kui see on sisse lülitatud.
- ▶ Valige saeketta ja töödeldava materjaliga sobiv ettenihkejõud. Nii hoiate ära saeketta blokeerumise ja võimaliku tagasilöögi.
- ▶ Vältige saehammaste ostte ülekuumenemist.
- ▶ Tarviku lubatud pöörete arv peab olema vähemalt sama suur nagu seadmel toodud maksimaalne pöörlemiskiirus. Lubatud kiiremini pöörlev tarvik võib puruneda ja selle tükid võivad laiali paiskuda.
- ▶ Ärge kasutage seadet väga tolmuses keskkonnas.
- ▶ Lihvimisel, lõikamisel ja puurimisel tekkiv tolm võib sisaldada ohtlikke kemikaale. Mõned näited: plii või pliipõhised värvid; tellis, betoon ja muu müüritis, looduskiivi ja muud silikaati sisaldavad tooted; teatud tüüpi puit, näiteks tamm, pöök ja keemiliselt töödeldud puit; asbest või asbesti sisaldavad materjalid. Tehke kindlaks kasutaja ja teiste läheduses viibivate isikutega kokkupuute tase, arvestades töödeldavate materjalide ohuklassi. Võtke vajalikud meetmed, et hoida kokkupuude ohutul tasemel, nt kasutage tolmukogumissüsteemi või kandke sobivat hingamisteede kaitse maski. Kokkupuute vähendamise üldiste meetmete hulka kuuluvad:
 - ▶ töötamine hästi ventileeritud piirkonnast,
 - ▶ tolmuga pikaajalise kokkupuute vältimine,
 - ▶ tolmu eemalejuhtimine näost ja kehast,
 - ▶ kaitserõivaste kandmine ja nähtavate kohtade pesemine vee ja seebiga.
- ▶ Kasutaja ja kõik teised inimesed tööpiirkonnas peavad alati kandma hingamiskaitsemaski, mis vastab mis vastab rakendusala nõuetele.
- ▶ Kasutaja ja kõik teised inimesed tööpiirkonnas peavad elektritööriista kasutamise ajal kandma sobivaid kaitseprille, kaitsekiivrit, kuulmiskaitsevahendeid, kaitsekindaid ja turvajalatsid.
- ▶ Enne töö algust tehke kindlaks töötamisel tekkiva tolmu ohuklass. Kasutage ettenähtud kaitseklassi kuuluvat ehitustolmuimejat, mis vastab kehtivatele tolmukaitse nõuetele.
- ▶ Järgige riigis kehtivaid tööohutusnõudeid.
- ▶ Tooriku kinnitamiseks ja stabiilses asendis hoidmiseks kasutage kinnituseadiseid või muud sobivat viisi. Tooriku hoidmine käe või kehaga ei taga stabiilsust ja kontrolli tooriku üle võib kaduda. Ärge laske toorikut hoida kolmandatel isikutel.
- ▶ Ärge lõigake tundmatuid pindu ja veenduge, et lõikejoon oleks nii pealt kui ka alt vaba takistusest Vastu teist eset pörkuv saeleht võib põhjustada elektritööriista tagasiviskumist.
- ▶ Allakukkuvatest tarvikutest või lisaseadistest tingitud vigastuste oht. Enne töö alustamist veenduge, et paigaldatud tarvikud on kindlalt kinnitatud.
- ▶ Vältige tolmueemaldiga saagimisel tolmukaitsekatte või imivooliku puudutamist. Tugeva tolmu tekkega materjalide puhul võib esineda kõrgeenergiaga elektrostaatilise lahenduse oht.
- ▶ Veenduge, et lõikejoonel ei ole takistusi, nt naelu, kruvisid või teisi metalle.
- ▶ Kasutage üksnes **Hilti** soovitatud saelehti, mis vastavad standardile EN 847-1.
- ▶ Plasti saagimisel veenduge, et toorik ei lähe liiga kuumaks ja ei hakka sulama.

Elektriõhutus

- ▶ Kontrollige tööpiirkond enne töö alustamist üle metalliotsijaga, et tuvastada varjatud elektrijuhtmete, gaasi- või veetorude asukohta. Pingestatud elektrijuhtme soovimatu vigastamise korral võivad seadme välised metallosad pinge alla sattuda. See suurendab elektrilöögi tekkimise ohtu.

2.4 Akude hoolikas käsitlemine ja kasutamine

- ▶ **Järgige liitiumioonakude ohutu käsitlemise ja kasutamise kohta esitatud juhiseid.** Eiramine võib tekitada nahaärrituse, söövituse, keemilise põletuse, tulekahju ja/või põhjustada plahvatuse.
- ▶ Kasutage akusid ainult siis, kui nende tehniline seisukord on veatu.
- ▶ Käsitlege akusid ettevaatlikult, et vältida kahjustusi ja tervist kahjustavate vedelike lekkimist!
- ▶ Akusid ei tohi mingil juhul muuta ega ümber ehitada!
- ▶ Akusid ei tohi lahti võtta, muljuda, kuumutada üle 80 °C (176 °F) ega ära põletada.
- ▶ Ärge kasutage ega laadige akusid, mis on saanud löögi või muul viisil kahjustada. Kontrollige regulaarselt akusid kahjustuste suhtes.
- ▶ Ärge kasutage kunagi ringlusse võetud või remonditud akusid.
- ▶ Ärge kunagi kasutage akut või akutoitega elektritööriista löögitarvikuna.



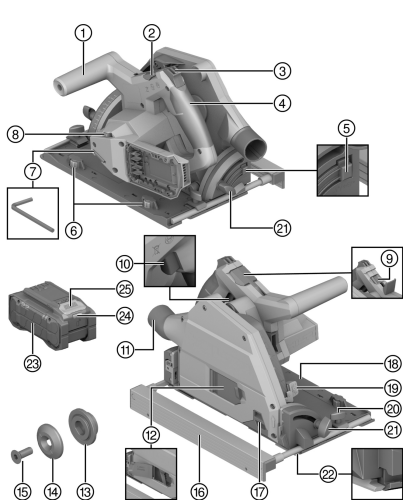
- ▶ Ärge jätke akut kunagi otsese päikesekiirguse, kuumuse, sädemete või lahtise leegi kätte. See võib põhjustada plahvatusi.
- ▶ Ärge puudutage aku poolseid sõrmede, tööriistade, ehete või muude metallesemetega. See võib akut kahjustada, samuti tekitada varalist kahju ja kehavigastusi.
- ▶ Hoidke akusid eemal vihmast, niiskusest ja vedelikest. Sissetungiv niiskus võib põhjustada lühist, elektrilööki, põletust, tulekahju ja plahvatust.
- ▶ Kasutage üksnes aku tüübile vastavaid laadijaid ja elektritööriistu. Juhinduge asjaomastes kasutusjuhendites esitatud andmetest.
- ▶ Ärge kasutage ega hoiustage akut plahvatusohtlikus keskkonnas.
- ▶ Kui aku on nii kuum, et seda ei saa puudutada, võib aku olla defektne. Asetage aku nähtavasse tulekindlasse kohta, mis on süttivatest materjalidest piisavaltkaugel. Laske akul jahtuda. Kui aku on ühe tunni pärast ikka veel liiga kuum, et seda puudutada saaks, siis on aku defektne. Pöörduge **Hilti** hooldekeskusesse või lugege läbi dokument "Juhised **Hilti** liitumioonakude ohutu käsitsemise ja kasutamise kohta".



Järgige liitumioonakude transpordi, ladustamise ja käsitsemise kohta esitatud erijuhiseid. 116 Lugege läbi **Hilti** liitumioonakude ohutu käsitsemise ja kasutamise juhised, mis avanevad käesoleva kasutusjuhendi lõpus oleva QR-koodi skannimisel.

3 Kirjeldus

3.1 Toote ülevaade



- ① Lisakäepide
- ② Saeketta vahetamise lukustushoob
- ③ Sisselülitustökis
- ④ Peakäepide
- ⑤ Löikenurga vabastusnupp -1° ja 47°
- ⑥ Lõtku tasakaalustuse reguleerimisratas (Juhtsiini ja alustalla juhtsoone vaheline lõtk)
- ⑦ Kuuskantvõti
- ⑧ Saeketta pöörlemissageduse reguleerimisratas
- ⑨ Spindlilukustus
- ⑩ Toitelüliti
- ⑪ Laastuväljaviskeseadis / liitmik
- ⑫ Saeketta vahetamise paigalduskapp
- ⑬ Alusflants
- ⑭ Kinnitusflants
- ⑮ Pingutuskruvi
- ⑯ paralleeljuhik
- ⑰ Liigutatav tolmukaitseaken
- ⑱ Alustald
- ⑲ Lõikesügavuse reguleerimine
- ⑳ Paralleelrakise kinnituskruvi
- ㉑ Löikenurga reguleerimise kinnituskruvi
- ㉒ Kohanduv lõikenäidik
- ㉓ aku
- ㉔ Aku olekunäidik
- ㉕ Aku lukust avamise nupp

3.2 Sihipärane kasutamine

Kirjeldatud toode on akutoitega sukelketassaag. See on ette nähtud saagimistöökdeks ja sukelõigeteks üksnes järgmistes materjalides:

- Puit ja puidutaolised materjalid
- Plastid



- Kipsplaadid
- Kiudsementplaadid
- Mitteraudmetallid

Toode on loodud tiseritöödeks ja sisepaigaldustöödeks.

Käsitakassaag on varustatud ühendusotsakuga lisavarustuse tolmueemaldaja jaoks, mis ühildub käibel olevate tolmuimemisvoolikutega. Tolmueemaldaja vooliku saega ühendamiseks võib olla vajalik sobiv adapter.

Kasutage üksnes toote jaoks ettenähtud saekettaid, mis vastavad tehnilistes andmetes toodud andmetele (nt läbimõõt, pöörete arv, paksus, materjal jm). Keelatud on lihvi- ja lõikekettad, samuti kõrglegeeritud kiirterasest (HSS) saekettad.

Saagige vaid ühetasaseid toorikuid, millel on alustalla jaoks piisavalt suur toetuspind.

- Kasutage selle toote jaoks ainult **Hilti B 22** tüüpi liitumioonakusid. **Hilti** soovibata selle toote jaoks kasutada käesoleva kasutusjuhendi lõpus olevas tabelis loetletud akusid.
- Nende akude laadimiseks kasutage ainult kasutusjuhendi lõpus loetletud tüüpi **Hilti** laadimisseadmeid.

3.3 Tarnekomplekt

Akuketassaag, saeketas, kasutusjuhend



Muud süsteemitooded leiata müügiesindusest **Hilti Store** või veebisaidilt: www.hilti.group

3.4 Liitumioonaku kuvamine

Hilti Nuron liitumioonakud saavad näidata laetuse astet, anda veateateid ja näidata aku olekut.

3.4.1 Laetuse astme ja veateadete kuvamine



HOIATUS

Vigastuste oht allakukkiva aku tõttu!

- ▶ Kui aku on paigaldatud, tehke vabastuslukule vajutamisega kindlaks, et aku on kasutatavasse tootesse õigesti sisse pandud.

Selleks et kuvada ühte järgmistest näitudest, vajutage korraaks aku vabastusnupule.

Laetuse astet ning võimalikke tõrkeid kuvatakse pidevalt seni, kuni ühendatud seade on sisse lülitatud.

Seisund	Tähendus
Neli (4) LED-tuld põlevad pideva rohelise tulega	Laetuse aste: 100 % kuni 71 %
Kolm (3) LED-tuld põlevad pideva rohelise tulega	Laetuse aste: 70 % kuni 51 %
Kaks (2) LED-tuld põlevad pideva rohelise tulega	Laetuse aste: 50 % kuni 26 %
Üks (1) LED-tuli põleb pideva rohelise tulega	Laetuse aste: 25 % kuni 10 %
Üks (1) LED-tuli vilgub aeglaselt rohelise tulega	Laetuse aste: < 10 %
Üks (1) LED-tuli vilgub aeglaselt rohelise tulega	Liitumioonaku on täielikult tühjenenud. Laadige akut. Kui LED-tuled pärast laadimist ikka veel kiiresti vilguvad, pöörduge Hilti hooldekeskusse.
Üks (1) LED-tuli vilgub kiiresti kollase tulega	Liitumioonaku ja sellega ühendatud seade on üle koormatud, liiga külmad või liiga kuumad või on tegemist muu veaga. Viige seade ja aku soovitatud töötemperatuurile ja ärge avaldage tootele ülekoormust. Kui teade ei kao, pöörduge Hilti hooldekeskusse.
Üks (1) LED-tuli põleb kollase tulega	Liitumioonaku ja sellega seotud toode ei ühildu. Palun pöörduge Hilti hooldekeskusse.
Üks (1) LED-tuli vilgub kiiresti punase tulega	Liitumioonaku on lukustatud ja seda ei saa kasutada. Palun pöörduge Hilti hooldekeskusse.



3.4.2 Akude oleku kuvamine

Aku seisundi teadasaamiseks hoidke vabastusklahvi all kauem kui kolm sekundit. Süsteem ei tuvasta võimalikku aku tõrget, mis on tingitud valest käsitsemisest, nt kukkumisest, torgetest, suurest kuumusest vm.

Seisund	Tähendus
Kõik LED-tuled süttivad pideva tulena ja seejärel põleb (1) LED-tuli pidevalt rohelise tulega.	Akut võib jätkuvalt kasutada.
Kõik LED-tuled süttivad pideva tulena (1) ja LED-tuli vilgub kiiresti kollase tulega.	Aku oleku kohta esitatud päringut ei saanud lõpetada. Korrake protsessi või pöörduge Hilti hooldekeskuse.
Kõik LED-tuled süttivad pideva tulena ja seejärel põleb (1) ja LED-tuli pideva punase tulega.	Kui ühendatud seadet saab jätkuvalt kasutada, on aku allesjäänud mahtuvus alla 50%. Kui ühendatud seadet ei saa enam kasutada, on aku kasutusressurs ammendunud ja aku tuleb välja vahetada. Palun pöörduge Hilti hooldekeskuse.

4 Tehnilised andmed

4.1 Toote omadused

	SC 6WP-22
Tootepõlvkond	01
Kaal	3,3 kg (vastavalt EPTA-Procedure 01 ilma akuta)
Kaal (paralleelrakis)	0,45 kg
Mõõtmed (P×L×K)	360 mm × 200 mm × 237 mm
Ketta paksus	1 mm ... 1,5 mm
Maksimaalne löikesügavus	57 mm
Nimipöörlemiskiirus tühikäigul	6 000 p/min
Nimipinge	21,6 V

4.2 Saeketta tüübid ja kasutusala

Saeketta tüüp	Kasutusjuhised
Universaalne saeketas Peenlõikesaeketas	Puit ja puidupõhised materjalid
Kiudtsemendi saeketas	Kiudtsement või kiudtsemendipõhised materjalid

4.3 Säilitus- ja töötemperatuur

Hoiutemperatuur	-20 °C ... 70 °C
Ümbritseva keskkonna temperatuur töötamise ajal	-17 °C ... 60 °C

4.4 Aku

Aku tööpinge	21,6 V
Aku kaal	Vt kasutusjuhendi lõpp
Ümbritseva keskkonna temperatuur töötamise ajal	-17 °C ... 60 °C
Hoiutemperatuur	-20 °C ... 40 °C
Aku temperatuur laadimise alguses	-10 °C ... 45 °C



4.5 Teave müra ja vibratsiooni kohta

Käesolevas juhendis märgitud helirõhu- ja vibratsioonitase on mõõdetud standarditud mõõtemetodil ja seda saab kasutada elektriliste tööriistade omavaheliseks võrdlemiseks. See sobib ka vibratsiooni- ja mürataseme esialgseks hindamiseks.

Toodud näitajad iseloomustavad elektrilise tööriista põhilisi ettenähtud töid. Kui aga elektrilist tööriista kasutatakse muul otstarbel, teiste tarvikutega või kui tööriista on ebapiisavalt hooldatud, võivad näitajad käesolevas juhendis toodud näitajatest kõrvale kalduda. See võib vibratsiooni- ja mürataset töötamise koguperioodil tunduvalt suurendada.

Müra- ja vibratsioonitaseme täpseks hindamiseks tuleb arvesse võtta ka aega, mil elektriline tööriist oli välja lülitatud või küll sisse lülitatud, kuid tegelikult tööle rakendamata. See võib vibratsiooni- ja mürataset töötamise koguperioodil tunduvalt vähendada.

Kasutaja kaitseks müra ja/või vibratsiooni eest võtke tarvitusele täiendavaid kaitsemeetmeid, näiteks: hooldage elektrilist tööriista ja tarvikuid korralikult, hoidke käed soojad, tagage sujuv töökorraldus.



Üksikasjalikku teavet standardite **EN 62841** siin kasutatud versioonide kohta leiate vastavusdeklaratsiooni koopialt 313.

Mürateave

Helivõimsustase (L_{WA})	106 dB(A)
Müravõimsustaseme mõõtemääramatus (K_{WA})	3 dB(A)
Helirõhutase (L_{pA})	98 dB(A)
Helirõhutaseme mõõtemääramatus (K_{pA})	3 dB(A)

Vibratsioonitase

Puitlaastplaadi saagimine ($a_{h, W}$)	B 22-55	0,9 m/s ²
Alumiiniumpleki saagimine ($a_{h, M}$)	B 22-55	1,7 m/s ²
Mõõtemääramatus (K)		1,5 m/s ²

5 Töö ettevalmistamine



HOIATUS

Vigastuste oht soovimatu käivitumise tõttu!

- ▶ Enne aku paigaldamist veenduge, et selle juurde kuuluv seade on välja lülitatud.
- ▶ Enne seadme seadistamist ja tarvikute vahetamist eemaldage seadmest aku.

Järgige kasutusjuhendis esitatud ja tootele märgitud ohutusnõudeid ja hoiatusi.

5.1 Aku laadimine

1. Enne laadimist lugege laadimiseadme kasutusjuhendit.
2. Veenduge, et aku ja laadimiseadme kontaktid on puhtad ja kuivad.
3. Laadige akut selleks ettenähtud laadimiseadmega. 108

5.2 Aku paigaldamine



HOIATUS

Vigastuste oht lühise või allakukkunud aku tõttu!

- ▶ Enne aku paigaldamist veenduge, et aku ja seadme kontaktidel ei ole võõrkehaseid.
- ▶ Veenduge, et aku fikseerub alati korrektselt kohale.

1. Enne esmakordset kasutamist laadige aku täiesti täis.
2. Lükake aku seadmesse, kuni see kuuldavalt kohale fikseerub.
3. Kontrollige aku kindlat kinnitumist.

5.3 Aku eemaldamine

1. Vajutage aku vabastusnupule.
2. Tõmmake aku seadmest välja.




5.4 Lukustusklamber 2

HOIATUS


Vigastuste oht tingitud allakukkuvast tööriistast ja/või tarvikust!

- ▶ Toote jaoks kasutage üksnes soovitatud **Hilti** tööriistarossi.
- ▶ Iga kord enne kasutamist kontrollige, et tarvikuhoidetrossi kinnituspunkt ei ole kahjustada saanud.


 Järgige riigis kehtivaid eeskirju kõrgustes töötamise kohta.

Selle toote puhul kasutage kukkumiskaitsena üksnes **Hilti** tööriistatrossi #2261971.

- ▶ Kinnitage tööriistatross klambriga seadme külge, nagu näidatud joonisel. Kontrollige kindlat kinnitumist.
- ▶ Kinnitage karabiinikonks kandva konstruktsiooni külge. Kontrollige karabiinikonksu kindlat kinnitumist.

 Järgige **Hilti** tööriistatrossi kasutusjuhendit.

5.5 Sukelseadme paigaldusasendisse viimine 3

 Sukelseadmel on paigaldusasend, milles kinnituskruvi on paigaldusakna kaudu ligipääsetav. Paigaldusasendi saate seadistada lukustushoovaga.

Kui pöörate lukustushoova tagasi (algasend), liigub sukelseade tagasi. Sukelseadme kontrollitult algasendisse viimiseks hoidke toodet põhikäepidemest.


1. Asetage toode nii, et saate selle maksimaalse löikesügavusega sukeldada (nt laua äärele).
2. Avage saeketta paigaldamiseks paigaldusklaap.
3. Seadke löikesügavuse seadistuse näidik maksimaalsele väärtusele **(1)**.
4. Viige lukustushoob üles (paigaldusasend) **(2)**.
5. Vajutage ja hoidke sisselülitustöki **(3)** ning viige sukelseade paigaldusasendisse.
 - ▶ Sukelseade fikseerub paigaldusasendis kuuldavalt kohale.
 - ▶ Kinnituskruvi asub nähtavalt keskselt paigaldusaknas.


5.6 Saeketta mahavõtmine 4

HOIATUS


Põletus- ja löikevigastuste oht kokkupuutumisel saeketta, kinnituskruvi ja kinnitusflantsiga Tagajärgedeks võivad olla põletused ja löikehaavad.

- ▶ Tarviku vahetamisel kandke kaitsekindaid.

1. Viige sukelseade paigaldusasendisse.  112
2. Vajutage spindilulukustusnupule ja hoidke seda allavajutatuna **(1)**.
3. Keerake sisekuuskantvõtmega lahti kinnituskruvi **(2)**.

 Jälgige pöörlemissuuna noolt: Kinnituskruvi keerate lahti saeketta pöörlemissuunas.

4. Eemaldage kinnituskruvi ja kinnitusflants.
5. Võtke saeleht allapoole kettakaitsest välja.

 Vajaduse korral võib alusflantsi puhastamiseks eemaldada.

5.7 Saeketta paigaldamine 5, 3

Veenduge, et kinnitatav saeketas vastab tehnilistele nõuetele ja on hästi teritatud. Terav saeketas on laitmatu löike eeldus.

Valige enne iga kasutamist alati lõigatava materjaliga sobiv saeketas.

1. Viige sukelseade paigaldusasendisse.  112



2. Puhastage alus- ja kinnitusflants (1).
3. Asetage alusflants korrektselt spindlile.
4. Paigaldage uus saeketas (2).
 - ▶ Pange tähele saekettal (3) ja kettakaitsele (4) olevale pöörlemissuuna noolele. Mõlema pöörlemissuuna noole suund peab kattuma.
5. Asetage õiges asendis kohale kinnitusflants.
6. Keerake kinnituskrugi sisse.
7. Vajutage spindlilukustusnupule ja hoidke seda allavajutatuna (5).
8. Keerake kinnituskrugi sisekuuskantvõtmega kinni (6).



Jälgige pöörlemissuuna noolt: Pingutage kinnituskrugi saeketta pöörlemissuunale vastupidises suunas.

9. Kontrollige saeketta korrektset kinnitumist.
10. Hoidke seadet põhikäepidemest.
11. Viige lukustushoob algasendisse ja pöörake sukelseade tagasi algasendisse (7).
12. Sulgege saeketta paigaldamise paigalduskapp.

5.8 Liigutatav tolmukaitseaken

Optimaalse laastueemalduse tagamiseks lükake tolmukaitseaken alati toorikule võimalikult lähedale.

5.9 Lõikesügavuse reguleerimine



Väljareguleeritud lõikesügavus peaks olema saetava materjali paksusest alati 5 kuni 10 mm võrra suurem.

1. Vajutage ja hoidke lõikesügavuse reguleerimise vabastusnuppu (1).
2. Viige liugur soovitud lõikesügavusele (2).
 - ▶ Lõikesügavuse näidikul on eraldi näit juhtsiiniga lõigetele (3) ja ilma juhtsiinita lõigetele (4).
3. Vabastage lõikesügavuse reguleerimise vabastusnupp.

5.10 Lõikenurga seadmine eerungilõigete jaoks



• Vältige ees ja taga erinevaid nurga seadistusi, vältides kinnitamisel surve avaldamist lisikäepidemele või saele. Erinevate nurga seadistuste tõttu ei ole enam võimalik lõiget sirgena teostada.

1. Vabastage lõikenurga reguleerimise 2 kinnituskrugi (1).
2. Pöörake toode soovitud lõikenurga alla.
 - ▶ Kui soovite reguleerida nurga -1° või üle 45° (kuni maksimaalselt 47°), vajutage ja hoidke vabastusnuppu (2).
3. Pingutage mõlemad lõikenurga reguleerimise kinnituskrugid.
4. Pingutage vastasküljel asuv lõikenurga reguleerimise kinnituskrugi.

5.11 Saeketta pöörete arvu reguleerimine

Kasutage alati kasutatud saeketta ja töödeldava materjaliga sobivat pöörete arvu. Sobitatud pöörete arvuga väldite saehamaste ülekuumenemist ja pikendate saeketaste tööiga.

- ▶ Pöörake pöörete arvu valimise ratas vastavasse asendisse.

5.12 Paralleelrakise paigaldamine



Sõltuvalt tootele paigaldamisest võib paralleelrakis täita ühte kahest funktsioonist:

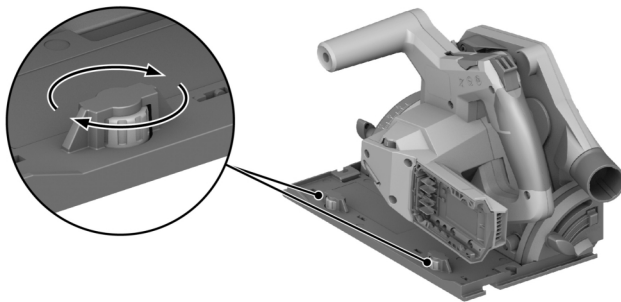
- L-kujuline äär on suunatud alla:
Paralleelrakis ühtlastele lõigetele äärt mööda.
- L-kujuline äär on suunatud üles:
Alustalla laiendus stabiilsemaks juhtimiseks ilma juhtsiinita lõigete puhul.

1. Vabastage mõlemad kinnituskrugid.



2. Lükake paralleelrakis alustalla paigaldusavadesse.
3. Seadistage paralleeljuhk löike jaoks vajalikule vahemaale.
 - ▶ Veenduge, et vahemaad mõlemal küljel oleks võrdsed.
4. Keerake mõlemad kinnituskruvid kinni.

5.13 Toote asetamine juhtsiinile



1. Asetage toode alustalla soonega juhtrööpale.
2. Kontrollige juhtsiini ja alusalla vahelist lõtku.
3. Reguleerige lõtk eksentriliste kruvidega **(1)**:
 - ▶ Lõtku vähendamiseks pöörake eksentrilisi kruvisid päripäeva.
 - ▶ Lõtku suurendamiseks pöörake eksentrilisi kruvisid vastupäeva.
4. Reguleerige lõtk nii väikeseks, kui see on võimalik ilma liugliikumist mõjutamata.

6 Käsitsemine

Järgige kasutusjuhendis esitatud ja tootele märgitud ohutusnõudeid ja hoiatusi.

6.1 Sisselülitamine ja väljalülitamine

Sisselülitamine

1. Vajutage sisselülitustökisele ja hoidke seda üleval.
2. Vajutage ja hoidke sisse-välja-lüliti all.
3. Vabastage sisselülitustökis.



Sisselülitustökis jääb avatud asendisse seniks, kuni te sisse/välja lülitit all hoiate või sukelseade asub sukelasendis. Sisselülitustökis hüppab automaatselt tõkestatud asendisse, kui sukelseade asub algasendis ja vabastate sisse/välja lüliti.

Väljalülitamine

4. Viige sukelseade tagasi algasendisse.
5. Vabastage toitelüliti.

6.2 Tolmu- ja laastuhaldus

- Saagimine **tolmueemaldiga**:
Ühendage imivoolik äratõmbeliitmikuga ja järgige tolmueemaldi kasutusjuhendis esitatud juhiseid.
- Saagimine **tolmukotiga**:
Ühendage tolmukott adapteri abil tolmueemald äratõmbeliitmikuga.



Saate toodet kasutada ka ilma tolmukogumismetodita. Veenduge, et saagimistolmu ja laastude väljaviskeava on vaba.



6.3 Kontuuri järgi saagimine 11



Saagige vaid ühetasaseid toorikuid, millel on alustalla jaoks piisavalt suur toetuspind.

1. Kinnitage toorik paigast nihkumise vastu ja märkige lõiketee (kontuur).
2. Reguleerige lõikesügavust. 113
3. Asetage toode kohanduva lõikenäidikuga kontuurijoonele.
4. Lülitage seade sisse. 114
 - ▶ Toote langetamine on võimalik ainult lukust vabastatud sisse/välja lüliti korral.
5. Viige sukelseade lõpuni toorikusse (1).
6. Juhtige toode sobiva töökiirusega läbi tooriku.
7. Viige sukelseade töötava saekettaga algasendisse tagasi (2).



Nii väldite saeketta toorikusse takerdumist.

8. Lülitage toode välja kohe, kui sukelseade asub algasendis. 114

6.4 Sukellõike teostamine

1. Reguleerige lõikesügavust. 113
2. Asetage toode toorikule.
3. Lülitage seade sisse. 114
 - ▶ Toote langetamine on võimalik ainult lukust vabastatud sisse/välja lüliti korral.
4. Langetage toode lõpuni toorikusse.
5. Juhtige toode sobiva töökiirusega läbi tooriku.
6. Pöörake seade toorikust välja.
7. Lülitage toode välja kohe, kui sukelseade asub algasendis. 114

6.5 Eerungilõigete teostamine (nurklõige)



Toode on varustatud kohanduva lõikenäidikuga, mis kohandub automaatselt seadistatud lõikenurgaga. Kohanduv lõikenäidik kehtib ainult ilma juhtsiinita lõigete puhul. Juhtsiiniga lõigete puhul on lõikejoon konstruktsioonist tingituna seadistatud lõikenurgast sõltumatu.

1. Seadke lõikenurk eerungilõigete jaoks. 113
2. Asetage toode kohanduva lõikenäidikuga kontuurijoonele.
3. Lülitage seade sisse. 114
4. Viige sukelseade toorikusse.
5. Juhtige toode piki juhtsiini toorikust läbi.

6.6 Saelõiked juhtsiiniga 10

1. Fikseerige juhtsiin 2 pitskruviga.
2. Asetage alustald soonega juhtsiini juhtrööpale.
3. Seadke lõikenurk eerungilõigete jaoks. 113
4. Reguleerige lõikesügavust. 113
5. Lülitage seade sisse. 114
6. Viige sukelseade toorikusse.
7. Juhtige toode piki juhtsiini toorikust läbi.

7 Hooldus ja korrashoid



HOIATUS

Vigastuste oht paigaldatud aku korral !

- ▶ Enne mis tahes hooldus- ja korrashoiutöid eemaldage seadmest aku!



Toote hooldus

- Kõvasti kinni olev mustus eemaldage ettevaatlikult.
- Ventilatsiooniavasid puhastage ettevaatlikult kuiva, pehme harjaga.
- Puhastage korpust ainult veidi niiske lapiga. Ärge kasutage silikooni sisaldavaid hooldusvahendeid, sest need võivad kahjustada seadme plastdetaile.
- Seadme kontaktide puhastamiseks kasutage puhast kuiva lappi.

Liitium-ioonakude hooldus

- Ärge kunagi kasutage akut, mille ventilatsiooniavad on ummistunud. Puhastage ventilatsiooniavasid ettevaatlikult kuiva, pehme harjaga.
- Kaitske akut tolmu ja mustuse eest. Ärge jätke akut kunagi suure niiskuse kätte (ärge asetage seda vette ja ärge jätke vihma kätte).
Kui aku on märjaks saanud, siis käsitlege seda nii, nagu oleks see kahjustatud. Isoleerige aku tulekindlas anumus ja pöörduge **Hilti** hooldekeskusesse.
- Hoidke aku puhas õlist ja rasvast. Vältige akusse asjatult tolmu ja mustuse kogunemist. Puhastage akut kuiva pehme harjaga või puhta kuiva lapiga. Ärge kasutage silikooni sisaldavaid hooldusvahendeid, sest need võivad kahjustada seadme plastdetaile.
Ärge puudutage aku kontakte ja ärge eemaldage kontaktidelt tehases peale kantud määret.
- Puhastage korpust ainult veidi niiske lapiga. Ärge kasutage silikooni sisaldavaid hooldusvahendeid, sest need võivad kahjustada seadme plastdetaile.

Korrashoid

- Kontrollige regulaarselt, kas kõik nähtavad osad on terved ja juhtelemendid töötavad veatult.
- Ärge kasutage seadet kahjustuste ja/või tõrgete korral. Laske seade kohe parandada **Hilti** hooldekeskuses.
- Pärast hooldus- ja korrashoiutöid paigaldage kõik kaitseseadised ja kontrollige, kas need töötavad veatult.



Ohutu töö tagamiseks kasutage ainult originaalvaruosi ja -materjale. **Hilti** heakskiidetud varuosad, materjalid ja lisatarvikud oma tootele leiate müügiesindusest **Hilti Store** või veebilehelt: www.hilti.group

7.1 Kaitseseadise puhastamine

1. Puhastage kaitseseadist ettevaatlikult kuiva harjaga.
2. Eemaldage kaitseseadises olev mustus ja tolm sobiva tööriista abil.

7.2 Laastukanali puhastamine

1. Kui äratõmbeliitmikule on paigaldatud tolmueemaldi, eemaldage imivoolik äratõmbeliitmikult.
2. Puhastage laastukanal harjaga.

8 Akutööriistade ja akude transport ja ladustamine

Transport



ETTEVAATUST

Soovimatu käivitus transportimisel !

- ▶ Transportige tooteid ilma akudeta!
- ▶ Eemaldage aku/akud.
- ▶ Ärge kunagi transportige akusid lahtiselt. Enne aku transportimist tuleb aku pakendada nii, et see oleks kaitstud löökide ja vibratsiooni eest ning isoleeritud kõikidest elektri juhtivatest materjalidest või teistest akudest, et vältida kokkupuudet teise aku poolustega ning lühise teket. **Järgige akude transpordi suhtes kehtivaid riigisisesid nõudeid.**
- ▶ Akusid ei tohi saata posti teel. Kahjustamata akude saatmiseks pöörduge logistikaettevõtja poole.
- ▶ Iga kord enne kasutamist ning enne ja pärast pikemat transporti või hoiustamist kontrollige seadet ja akusid vigastuste suhtes.

Hoiustamine



HOIATUS

Defektsed akud või lekkivad akud võivad tekitada vigastusi !

- ▶ Kasutusvälisel ajal eemaldage seadmest aku!



- ▶ Hoidke seadet ja akusid jahedas ja kuivas kohas. Pidage kinni tehnilistes andmetes toodud temperatuuripiirangutest.
- ▶ Ärge hoidke akusid laadimisseadmes. Pärast laadimist eemaldage aku laadimisseadmest.
- ▶ Ärge hoidke akusid päikese käes, radiaatori peal või klaasi taga.
- ▶ Hoidke seadet ja akusid lastele ja kõrvalistele isikutele ligipääsmatus kohas.
- ▶ Iga kord enne kasutamist ning enne ja pärast pikemaajalist seismist kontrollige seadet ja akusid kahjustuste suhtes.

9 Rikkeabi

Järgige kõigi tõrgete korral aku olekunäidikut. Vt ptk **Li-ioon-aku näidud**.



Rikete korral, mis tabelis ei kajastu või mida Te ise kõrvaldada ei oska, pöörduge **Hilti** teeninduskeskusse.

Tõrge	Võimalik põhjus	Lahendus
Lüliti (sisse/välja) ei saa sisse vajutada / lüliti (sisse/välja) on kinni kiilunud.	Tegemist ei ole veaga (ohutusfunktsioon).	▶ Vajutage sisselülitustõkisele.
Pöörete arv väheneb järsku tugevasti.	Aku on tühi. Etteandjõud on liiga suur.	▶ Laadige akut. ▶ Vähendage etteandjõudu ja lülitage seade uuesti sisse.
Imemisvõimsus puudub või on vähenenud.	Laastukanal on ummistunud.	▶ Puhastage laastukanal. 116
Seade ei käivitu pärast saeketta kinnikiilumist automaatselt.	Rakendub ülekoormuskaitse.	▶ Vajutage uuesti sisselülitustõkisele ja sisse-välja-lülitile.
Aku ei fikseeru kuuldava klõpsatusega.	Aku fiksaatorid on määrdunud.	▶ Puhastage fiksaatorid ja paigaldage aku uuesti.
Seade vibreerib tugevamalt kui tavaliselt.	Saeketas on valesti paigaldatud.	▶ Võtke saeketas maha ja paigaldage uuesti.
Aku LED-tuled on kustunud	Aku on defektne	▶ Pöörduge Hilti hooldekeskusse.

10 Utiliseerimine



HOIATUS

Valest käitlemisest tingitud vigastuste oht! Eralduvad gaasid või vedelikud on terviseohtlikud.

- ▶ Ärge saatke kahjustada saanud akusid posti teel!
- ▶ Lühise vältimiseks katke akukontaktid elektrit mittejuhtiva materjaliga.
- ▶ Käideldge akusid nii, et need ei satu laste kätte.
- ▶ Utiliseerige aku **Hilti Store** esinduses või pöörduge asjaomase jäätmekäitlusettevõtte poole.

Enamik **Hilti** seadmete valmistamisel kasutatud materjalidest on taaskasutatavad. Taaskasutuse eelduseks on materjalide korralik sorteerimine. Paljudes riikides kogub **Hilti** kasutusressursi ammendanud seadmed kokku. Lisateavet saate **Hilti** müügiesindusest.



- ▶ Ärge visake kasutusressursi ammendanud elektrilisi tööriistu, elektroonikaseadmeid ja akusid olmejäätmete hulka!

11 Tootja garantii

- ▶ Garantiitingimusi puudutavates küsimustes pöörduge oma kohaliku **Hilti** partneri poole.



Lisateavet käsitsesime, tehnika, keskkonna ja ümbertöötuse kohta leiate lingilt: qr.hilti.com/manual?id=2276609&id=2276671

See link sisaldab ka käesoleva kasutusjuhendi lõpus QR-koodina.

Originaalä lietošanas instrukcija

1 Informācija par lietošanas instrukciju

1.1 Par šo lietošanas instrukciju

- **Brīdinājums!** Pirms sākt izstrādājuma lietošanu, pārliecinieties, ka ir izlasīta un saprasta izstrādājumam pievienotā lietošanas instrukcija, ieskaitot pamācības, drošības norādījumus un brīdinājumus, attēlus un specifikācijas. Īpaši rūpīgi iepazīstieties ar pamācībām, drošības norādījumiem un brīdinājumiem, attēliem un specifikācijām, kā arī sastāvdaļām un funkcijām. Neievērošanas gadījumā pastāv elektriskās strāvas trieciena, aizdegšanās un/vai smagu traumu risks. Rūpīgi uzglabājiet lietošanas instrukciju, ieskaitot visas pamācības, drošības norādījumus un brīdinājumus, turpmākai izmantošanai.
- **HILTI** izstrādājumi ir paredzēti profesionāliem lietotājiem, un to darbināšanu, apkopi un tehnikā stāvokļa uzturēšanu drīkst veikt tikai kvalificēts, atbilstīgi apmācīts personāls. Personālam ir jābūt labi informētam par iespējamajiem riskiem, kas var rasties darba laikā. Izstrādājums un tā papildaprīkojums var radīt bīstamas situācijas, ja to uztic neprofesionālam personālam vai nelieto atbilstīgi nosacījumiem.
- Pievienotā lietošanas instrukcija atbilst aktuālajam tehnikas attīstības līmenim tās sagatavošanas brīdī.. Aktuālā versija vienmēr ir pieejama tiešsaistē, Hilti izstrādājumu lapā. Lai tai piekļūtu izmantojiet šajā lietošanas instrukcijā iekļauto saiti vai kvadrāt kodu, kas apzīmēts ar simbolu
- Vienmēr pievienojiet lietošanas instrukciju izstrādājumam, ja tas tiek nodots citai personai.

1.2 Apzīmējumu skaidrojums

1.2.1 Brīdinājumi

Brīdinājumi pievērš uzmanību bīstamībai, kas pastāv, strādājot ar izstrādājumu. Tiek lietoti šādi signālvārdi:

BĪSTAMI!

BĪSTAMI! !

- ▶ Pievērš uzmanību draudošām briesmām, kas var izraisīt smagus miesas bojājumus vai nāvi.

BRĪDINĀJUMS!

BRĪDINĀJUMS! !

- ▶ Pievērš uzmanību iespējamam apdraudējumam, kas var izraisīt smagas traumas vai pat nāvi.

IEVĒROT PIESARDZĪBU!

UZMANĪBU! !

- ▶ Norāda uz iespējami bīstamām situācijām, kas var izraisīt traumas vai materiālos zaudējumus.

1.2.2 Simboli lietošanas instrukcijā

Šajā lietošanas instrukcijā tiek izmantoti šādi simboli:




	Ievērojiet lietošanas instrukciju
	Norādījumi par lietošanu un cita noderīga informācija
	Rīcība ar atreiz pārstrādājamiem materiāliem
	Neizmetiet elektroiekārtas un akumulatorus sadzīves atkritumos.
	Hilti Litija jonu akumulators




Hilti Lādētājs

1.2.3 Attēlos lietotie simboli









Attēlos tiek lietoti šādi simboli:

	Šie skaitļi norāda uz attiecīgajiem attēliem, kas atrodami šīs lietošanas instrukcijas sākumā.
3	Numerācija attēlos atbilst veicamo darbību secībai un var atšķirties no darbību apraksta tekstā.
	Pozīciju numuri tiek lietoti attēlā Pārskats un norāda uz leģendas numuriem sadaļā Izstrādājuma pārskats .
	Šī simbola uzdevums ir pievērst īpašu uzmanību izstrādājuma lietošanas laikā.

1.3 Simboli atkarībā no izstrādājuma

1.3.1 Vispārīgi simboli

Simboli, kas tiek lietoti saistībā ar izstrādājumu.

n_0	Nominālais apgriezienu skaits tukšgaitā
	Līdzstrāva
	Rotācijas virziena bultiņa
RPM	Apgriezieni minūtē
	Diametrs
	Zāga ripa
	Izstrādājums atbalsta bezvadu datu pārneši, kas ir saderīga ar iOS un Android platformām.
	Ja uz izstrādājuma tas ir norādīts, šī sertifikācijas iestāde ir sertificējusi izstrādājumu laišanai aprītē ASV un Kanādas tirgū saskaņā ar spēkā esošajiem standartiem.
Li-Ion	Litija jonu akumulators
	Nekādā gadījumā nelietojiet akumulatoru kā triecieninstrumentu.
	Sargājiet akumulatoru no kritieniem. Nelietojiet akumulatoru, ja tas ir bijis pakļauts triecienam vai tam ir radušies cita veida bojājumi.

1.3.2 Pieprasījuma zīmes

Uz izstrādājuma tiek lietoti šādi pieprasījuma simboli:

	Lietojiet aizsargbrilles
---	--------------------------

2 Drošība

2.1 Vispārīgi drošības norādījumi par darbu ar elektroiekārtām

⚠ BRĪDINĀJUMS! Iepazīstieties ar visiem drošības norādījumiem, instrukcijām, attēliem un tehnikajiem parametriem, kas attiecas uz šo elektroiekārtu. Turpmāk izklāstīto instrukciju neievērošana var izraisīt elektrošoku, ugunsgrēku un/vai nopietnas traumas.

Saglabājiet visus drošības norādījumus un instrukcijas turpmākai lietošanai.

Drošības norādījumos lietotais apzīmējums "elektroiekārta" attiecas uz iekārtām ar tīkla barošanu (ar barošanas kabeli) vai iekārtām ar barošanu no akumulatora (bez kabeļa).



Drošība darba vietā

- ▶ **Uzturiet darba vietā tīrību un kārtību un nodrošiniet labu apgaismojumu.** Nekārtīgā darba vietā vai sliktā apgaismojumā var viegli notikt nelaimes gadījums.
- ▶ **Nestrādājiet ar elektroiekārtu sprādzienbīstamā vidē, kur atrodas uzliesmojoši šķidrumi, gāzes vai putekļi.** Darbības laikā elektroiekārtas mēdz dzirkstēļot, un tas var izraisīt viegli uzliesmojošu putekļu vai tvaiku aizdegšanos.
- ▶ **Lietojot elektroiekārtu, neļaujiet nepiederošām personām un jo īpaši bērniem tuvoties darba vietai.** Citu personu klātbūtne var novērst uzmanību, un tā rezultātā jūs varat zaudēt kontroli pār iekārtu.

Elektrodrošība

- ▶ **Elektroiekārtas kontaktdakšai jāatbilst elektrotīkla kontaktligzdai. Kontaktdakšas konstrukciju nedrīkst nekādā veidā mainīt. Kopā ar elektroiekārtām, kurām ir aizsargzemējums, nedrīkst lietot adapteru spraudņus.** Neizmainītas konstrukcijas kontaktdakša, kas atbilst kontaktligzdai, ļauj samazināt elektrošoka risku.
- ▶ **Darba laikā nepieskarieties sazemētiem priekšmetiem, piemēram, caurulēm, radiatoriem, plītiem vai ledusskapjiem.** Pieskaroties sazemētām virsmām, pieaug risks saņemt elektrisko triecienu.
- ▶ **Nelietojiet elektroiekārtu lietus laikā, neturiet to mitrumā.** Mitrumam iekļūstot elektroiekārtā, pieaug risks saņemt elektrisko triecienu.
- ▶ **Nenesiet un nepakariniet elektroiekārtu aiz barošanas kabeļa un neraujiet aiz kabeļa, ja vēlaties atvienot iekārtu no elektrotīkla kontaktligzdas. Sargājiet barošanas kabeli no karstuma, eļļas, asām šķautnēm vai kustīgām detaļām.** Bojāts vai sapīņķerējis barošanas kabelis var kļūt par cēloni elektrošokam.
- ▶ **Darbinot elektroiekārtu ārpus telpām, izmantojiet tās pievienošanai vienīgi tādus pagarinātājkaabeļus, kas ir paredzēti lietošanai brīvā dabā.** Lietojot elektrokabeļi, kas ir piemērots darbam ārpus telpām, samazinās elektrošoka risku.
- ▶ **Ja elektroiekārtas izmantošana slapjā vidē ir obligāti nepieciešama, lietojiet bojājumstrāvas aizsargslēdzi.** Bojājumstrāvas aizsargslēdža lietošana samazina elektrošoka risku.

Personiskā drošība

- ▶ **Strādājiet ar elektroiekārtu uzmanīgi, darba laikā saglabājiet paškontroli un rīkojieties saskaņā ar veselο saprātu. Ar elektroiekārtu nedrīkst strādāt personas, kas ir nogurušas vai atrodas narkotiku, alkohola vai medikamentu ietekmē.** Mirkļis neuzmanības, strādājot ar elektroiekārtu, var novest pie nopietnām traumām.
- ▶ **Izmantojiet individuālos aizsardzības līdzekļus un darba laikā vienmēr valkājiet aizsargbrilles.** Individuālo aizsardzības līdzekļu (putekļu aizsargmaskas, neslīdošu apavu un aizsargķiveres vai ausu aizsargu) lietošana atbilstoši elektroiekārtas tipam un veicamā darba raksturam ļauj izvairīties no savainojumiem.
- ▶ **Iepriekš pārbaudiet iekārtas nekontrolētas ieslēgšanās iespēju. Pirms pievienošanas elektrotīklam, akumulatora ievietošanas, elektroiekārtas satveršanas vai pārvietošanas pārliecinieties, ka tā ir izslēgta.** Ja iekārtas pārvietošanas laikā pirksts atrodas uz slēdža vai ja ieslēgta iekārta tiek pievienota elektrotīklam, var notikt nelaimes gadījums.
- ▶ **Pirms elektroiekārtas ieslēgšanas jānoņem visi regulēšanas piederumi un uzgriežņu atslēgas.** Regulēšanas piederumi vai uzgriežņu atslēga, kas iekārtas ieslēgšanas brīdī atrodas iekārtā, var radīt traumas.
- ▶ **Izvairieties no nedabiskām pozām. Darba laikā vienmēr saglabājiet līdzsvaru un nodrošinieties pret paslīdēšanu.** Tas atvieglos elektroiekārtas vadību neparedzētās situācijās.
- ▶ **Izvēlieties darbam piemērotu apģērbu. Darba laikā nenēsājiet brīvi plandošas drēbes un rotaslietas. Netuviniet matus, apģērbu un aizsargcimdus iekārtas kustīgajām daļām.** Vaļīgas drēbes, rotaslietas un gari mati var iekerties iekārtas kustīgajās daļās.
- ▶ **Ja elektroiekārtas konstrukcija ļauj pievienot putekļu nosūcšanas vai savākšanas ierīci, sekojiet, lai tā būtu pievienota un tiktu darbināta pareizi.** Putekļu nosūcēja lietošana samazina putekļu kaitīgo ietekmi.
- ▶ **Nezaudējiet modrību un neatkāpieties no elektroiekārtu lietošanas drošības noteikumu ievērošanas arī tad, ja lietojat attiecīgo elektroiekārtu bieži un kārtīgi to pārzināt.** Neuzmanība vienā sekundes daļā var novest pie smagām traumām.

Elektroiekārtas lietošana un apkope

- ▶ **Nepārslodojiet elektroiekārtu. Katram darbam izvēlieties piemērotu iekārtu.** Elektroiekārta darbosies labāk un drošāk pie nominālās slodzes.
- ▶ **Nelietojiet elektroiekārtu, ja ir bojāts tās slēdzis.** Elektroiekārta, ko nevar ieslēgt un izslēgt, ir bīstama un nekavējoties jānodod remontā.



- ▶ **Pirms iestatījumu veikšanas, aprikojuma daļu nomaiņas vai iekārtas novietošanas uzglabāšanā atvienojiet kontaktdakšu no elektrotīkla un/vai noņemiet noņemamo akumulatoru.** Šādi jūs novēršīsiet elektroiekārtas nejaušas ieslēgšanās risku.
- ▶ **Elektroiekārtu, kas netiek darbināta, uzglabājiet piemērotā vietā. Neļaujiet lietot iekārtu personām, kas nav iepazinušas ar tās funkcijām un izlasījušas šo lietošanas instrukciju.** Ja elektroiekārtu lieto nekompetentas personas, tas var apdraudēt cilvēku veselību.
- ▶ **Rūpīgi veiciet elektroiekārtu un to piederumu apkopi. Pārbaudiet, vai kustīgās daļas darbojas bez traucējumiem un neķeras un vai kāda no daļām nav salauzta vai bojāta un tādējādi netraucē elektroiekārtas nevainojamu darbību. Raugieties, lai pirms iekārtas lietošanas tiktu nomainītas vai saremontētas bojātās daļas.** Daudzi nelaimes gadījumi notiek tāpēc, ka elektroiekārtām nav nodrošināta pareiza apkope.
- ▶ **Griezējinstrumentiem vienmēr jābūt uzasinātiem un tīriem.** Rūpīgi kopti griezējinstrumenti ar asām šķautnēm retāk iestrēgst un ir vieglāk vadāmi.
- ▶ **Lietojiet elektroiekārtu, piederumus, maināmos instrumentus utt. saskaņā ar šiem norādījumiem. Jāņem vērā arī konkrētie darba apstākļi un veicamās operācijas īpatnības.** Elektroiekārtu lietošana citiem mērķiem, nekā to ir paredzējis ražotājfirma, ir bīstama un var izraisīt neparedzamas sekas.
- ▶ **Raugieties, lai rokturu un satveršanas virsmas būtu sausas, tīras, nenotraipītas ar eļļu un smērvielām.** Ja rokturu vai satveršanas virsmas ir slidēnas, nav iespējama droša elektroiekārtas vadība un kontrole neparedzamās situācijās.

Ar akumulatoru darbināmas iekārtas lietošana un apkope

- ▶ **Akumulatora uzlādei jālieto tikai ražotāja ieteiktie lādētāji.** Noteikta veida akumulatoriem paredzēts lādētājs kļūst ugunsbīstams, ja to izmanto ar cita veida akumulatoriem.
- ▶ **Izmantojiet elektroiekārtas barošanai tikai tai paredzētos akumulatorus.** Cita tipa akumulatoru lietošana var izraisīt iekārtas un/vai akumulatora aizdegšanos.
- ▶ **Laikā, kad akumulators ir atvienots no iekārtas, nepieļaujiet tā kontaktu saskaršanos ar saspaudēm, monētām, atslēgām, naglām, skrūvēm vai citiem nelieliem metāla priekšmetiem, kas varētu izraisīt īssavienojumu.** Ja starp akumulatora kontaktiem rodas īssavienojums, tas var sadegt vai kļūt par ugunsgrēka cēloni.
- ▶ **Nepareizi lietojot akumulatoru, no tā var izplūst šķidrums. Nepieļaujiet tā nokļūšanu uz ādas. Ja tas tomēr nejausi ir noticis, noskalojiet ar ūdeni. Ja šķidrums iekļūst acīs, izskalojiet acis un nekavējoties vērsieties pie ārsta.** No akumulatora izplūdušais šķidrums var izraisīt ādas kairinājumu vai apdegumus.
- ▶ **Nelietojiet bojātus vai modificētus akumulatorus.** Bojāti vai modificēti akumulatori var radīt neparedzamas situācijas un izraisīt ugunsgrēku, eksploziju vai traumas.
- ▶ **Nepakļaujiet akumulatoru uguns vai augstas temperatūras iedarbībai.** Uguns vai temperatūra virs 130 °C (265 °F) var izraisīt eksploziju.
- ▶ **Ievērojiet norādījumus par akumulatora lādēšanu un nekad nelādējiet akumulatoru vai ar akumulatoru darbināmo iekārtu ārpus lietošanas instrukcijā norādītā temperatūras diapazona.** Nepareiza lādēšana vai pieļaujamā temperatūras diapazona pārsniegšana var sabojāt akumulatoru un palielināt aizdegšanās risku.

Serviss

- ▶ **Uzdodiet elektroiekārtas remontu veikt tikai kvalificētam personālam, kas izmanto vienīgi oriģinālās rezerves daļas.** Tikai tā ir iespējams saglabāt iekārtas funkcionālo drošību.
- ▶ **Nekādā gadījumā neveiciet bojātu akumulatoru apkopi.** Jebkādas akumulatoru apkopes darbus drīkst veikt tikai ražotājs vai atbilstīgi pilnvarots klientu apkalpošanas dienests.

2.2 Drošības norādījumi darbam ar visu veidu zāģiem

Zāģēšanas process

- ▶ **⚠ BĪSTAMI! Raugieties, lai jūsu rokas neatrastos zāģēšanas zonā vai zāģa ripas tiešā tuvumā. Ar otru roku turiet iekārtu aiz papildu roktura vai motora korpusa.** Ja abas rokas ir satvērušas zāģi, tās ar zāģa asmeni nav iespējams savainot.
- ▶ **Nesatveriet zāģējamo materiālu no apakšas.** Aizsargs nepasargā no saskares ar zāģa asmeni apstrādājamā materiāla apakšpusē.
- ▶ **Pieskaņojiet zāģējuma dziļumu apstrādājamā materiāla biežumam.** Zem zāģējamā materiāla jābūt redzamam mazāk nekā vienam zobam pilnā augstumā.
- ▶ **Nekādā gadījumā nemēģiniet pieturēt zāģējamo materiālu ar roku vai kāju. Nofiksējiet zāģējamo materiālu stabilā stiprinājumā.** Ir svarīgi kārtīgi nostiprināt zāģējamo materiālu, lai līdz minimumam samazinātu risku, kas saistīts ar pieskaršanos zāģa ripai, ripas iestrēgšanu vai kontroles zudumu.



- ▶ **Veicot darbus, kuru laikā pastāv risks, ka instruments var skart apslēptus elektriskos vadus, vienmēr satveriet iekārtu tikai aiz izolētajām rokturu virsmām.** Saskaroties ar sprieguma padevei pieslēgtiem vadiem, elektroiekārtas neizolētās metāla daļas nonāk zem sprieguma un var izraisīt elektrošoku.
- ▶ **Garenvirziena zāģēšanai vienmēr lietojiet atduri vai taisnu malas vadotni.** Tādējādi tiks palielināta zāģējuma precizitāte un samazināts instrumenta iestrēgšanas risks.
- ▶ **Vienmēr lietojiet tikai atbilstīga izmēra zāģa ripas ar piemērotu stiprinājuma atveri (piemēram, zvaigznes formas vai apaļu).** Zāģa ripas, kas nav paredzētas montāžai uz šī zāģa, rotē nevienmērīgi un var izraisīt kontroles zudumu.
- ▶ **Nekādā gadījumā nedrīkst izmantot bojātas vai nepiemērotas zāģa ripas paplāksnes vai skrūves.** Paplāksnes un skrūves ir konstruētas speciāli šim zāģim, lai nodrošinātu optimālu darba efektivitāti un drošību.

Atsitienu cēloņi un ar to saistītie drošības norādījumi

- Atsitiens ir negaidīta reakcija sakarā ar zāģa ripas aizķeršanos, iestrēgšanu vai nepareizu noregulējumu, kā rezultātā tiek zaudēta kontrole pār zāģi, tas izlec no zāģējamā materiāla un tiek pasists lietotāja virzienā;
- Ja zāģa ripa iekeras vai iestrēgst zāģējuma rievā, tā nobloķējas un motora spēks pasit zāģi atpakaļ lietotāja virzienā;
- Ja zāģa ripa zāģējuma rievā sagriežas vai ir nepareizi noregulēta, ripas aizmugurējās daļas zobī var iekerties zāģējamā materiāla virsmā, kā rezultātā zāģa ripa izlec no zāģējuma rievas un zāģis tiek pasists lietotāja virzienā.

Atsitiens ir nepareizas zāģa lietošanas sekas. No tā ir iespējams izvairīties, ievērojot turpmāk aprakstītos drošības pasākumus.

- ▶ **Stingri turiet zāģi ar abām rokām un novietojiet rokas tā, lai varētu droši reaģēt uz atsitienu radītajiem spēkiem.** Vienmēr nostājjieties nedaudz uz sāniem no zāģa – tā, lai zāģa asmens neatrastos uz vienas līnijas ar jūsu ķermeni. Atsitienu gadījumā ripzāģis strauji pārvietosies atpakaļ, taču ar atbilstīgu piesardzības pasākumu palīdzību iekārtas lietotājs var kontrolēt atsitienu spēku.
- ▶ **Ja zāģa ripa iestrēgst vai darbu nepieciešams pārtraukt citu iemeslu dēļ, izslēdziet zāģi, atstājiet to zāģējamajā materiālā un nogaidiet, līdz zāģa ripas kustība apstājas.** Nekādā gadījumā nemēģiniet izvilkāt zāģi no materiāla vai pavilkāt atpakaļ, kamēr zāģa ripa atrodas kustībā, jo tas var izraisīt atsitienu. Atrodiet un novērsiet zāģa ripas iestrēgšanas cēloni.
- ▶ **Ja vēlaties no jauna ieslēgt zāģi, kura asmens atrodas materiālā, nocentrējiet zāģa asmeni zāģējuma rievā un pārbaudiet, vai zāģa zobī nav iekērušies materiālā.** Ja zāģa ripa ir iestrēgusi, tā zāģa ieslēgšanas brīdī var izlekt no materiāla vai izraisīt atsitienu.
- ▶ **Lai novērstu risku, ka zāģa ripas iestrēgšana izraisīs atsitienu, liela izmēra plāksnes pirms apstrādāšanas kārtīgi jāatbalsta.** Liela izmēra detaļas var izliekties pašas no sava svara. Plāksnes jāatbalsta abās pusēs – gan zāģējuma tuvumā, gan pie ārmaslas.
- ▶ **Nedrīkst izmantot neaas vai bojātas zāģa ripas.** Zāģa ripas ar neasiem vai nepareizi izlocītiem zobiem veido pārāk šauru zāģējuma rievu, kā rezultātā palielinās berze, kā arī zāģa ripas iestrēgšanas vai atsitienu risks.
- ▶ **Pirms sākt zāģēšanu, pievelciet zāģējuma dziļuma un lenķa iestatīšanas atdures.** Ja zāģēšanas laikā tiek mainīti iestatījumi, zāģa ripa var iestrēgt un radīt atsitienu.
- ▶ **Ievērojiet īpašu piesardzību, veicot zāģējumus sienās un citās nepārredzamās vietās.** Iegremdētās zāģa ripas pērkšņa sadursme ar sienā esošiem objektiem var izraisīt atsitienu.

Drošības pārsega funkcijas

- ▶ **Pirms katras lietošanas pārbaudiet, vai drošības pārsegs aizveras nevainojami.** Nelietojiet zāģi, ja pārsegs nekustas brīvi un nekavējoties neaizveras. Nekādā gadījumā nenobloķējiet vai neatvienojiet pārsegu; tādējādi vairs nebūs nodrošināta aizsardzība pret saskari ar zāģa ripu. Ja zāģis nejausi nokrīt zemē, drošības pārsegs var deformēties. Pārlicinieties, ka drošības pārsegs kustas brīvi un ne pie viena zāģējuma lenķa vai dziļuma iestatījuma nesaskaras ne ar zāģa ripu, ne citām iekārtas daļām.
- ▶ **Pārbaudiet pārsega atsperes stāvokli un funkcijas.** Ja apakšējais pārsegs un atspere nefunkcionē nevainojami, pirms zāģa lietošanas lieciet tos izlabot. Bojātas detaļas, lipīgu materiālu nogulsneņumi vai skaidu sakrāšanās var aizkavēt apakšējā pārsega kustību.
- ▶ **Izdarot "iegremdētus zāģējumus", kas netiek veikti taisnā lenķī, nodrošiniet zāģa vadotnes plāksni pret izslīdēšanu uz sāniem.** Izslīdēšana uz sāniem var izraisīt zāģa ripas iestrēgšanu, kā rezultātā iespējams atsitiens.
- ▶ **Nenovietojiet zāģi uz darba galda vai uz grīdas, ja apakšējais pārsegs nenosedz zāģa asmeni.** Nenosedzta zāģa ripa, atradzamās inerces kustībā, var sazāģēt visu, kas gadsīsies tās ceļā. Tādējādi atcerieties, ka nepieciešams zināms laiks, lai apstātos zāģa inerces rotācija.



2.3 Papildnorādījumi par drošību

Personīgā drošība

- ▶ Nekādā gadījumā neveiciet ar elektroiekārtu vai tās piederumiem neatļautas manipulācijas vai tos pārveidi.
- ▶ Lietojiet elektroiekārtu tikai kopā ar paredzētajām aizsardzības ierīcēm.
- ▶ Ja elektroiekārta tiek lietota bez putekļu nosūcēja un darba laikā veidojas liels daudzums putekļu, vienmēr valkājiet vieglu elpceļu aizsargmasku.
- ▶ Vienmēr stingri turiet elektroiekārtu ar abām rokām aiz šim nolūkam paredzētajiem rokturiem.
- ▶ Lietojiet dzirdes aizsargaprikojumu. Trokšņa iedarbība var radīt dzirdes zudumu.
- ▶ Strādājiet ar pārtraukumiem un veiciet atslābināšanās un pirkstu vingrinājumus, kas uzlabo asinsriti.
- ▶ Elektroiekārta nav paredzēta, lai to lietotu personas ar nepietiekamu fizisko spēku vai zināšanām.
- ▶ Ieslēdziet elektroiekārtu tikai tad, kad tā atrodas darba vietā un ir novietots darba pozīcijā.
- ▶ Izņemiet akumulatoru, ja rodas problēmas elektroiekārtas darbībā, kā arī pirms darba instrumentu vai piederumu maiņas, elektroiekārtas novietošanas glabāšanā un transportēšanas.
- ▶ Nelietojiet elektroiekārtu darbiem virs galvas augstuma.
- ▶ Nemēģiniet nobremzēt elektroiekārtas kustību, no sāniem piespiežot zāga ripu.
- ▶ Pirms akumulatora ievietošanas pārļiecinieties, ka zāģis ir izslēgts un ir nofiksējies ieslēgšanas bloķēšanā. Tādējādi tiks novērsta traumas, ko var radīt elektroiekārtas nejauša iedarbošanās.
- ▶ Kad elektroiekārta darbojas, nepieskarieties fiksācijas atlokam un fiksācijas skrūvei.
- ▶ Pirms novietot elektroiekārtu, nogaidiet, līdz pilnībā apstājas zāga ripas rotācija.
- ▶ Pirms darba instrumenta maiņas nogaidiet, līdz elektroiekārta ir atdzisusi.
- ▶ Nekādā gadījumā neaktivējiet vārpstas bloķēšanu zāga ripas griešanās laikā.
- ▶ Nevērsiet elektroiekārtu pret cilvēkiem.
- ▶ Ieslēgšanās bloķēšanai jābūt nofiksētai vienmēr, kad jūs maināt piederumus vai akumulatorus, kā arī elektroiekārtas transportēšanas un uzglabāšanas laikā.
- ▶ Vienmēr lietojiet tādu zāga ripu, kas atbilst zāģējamās detaļas materiālam un citām īpašībām.
- ▶ Nekādā gadījumā nemonēģiniet uz šīs elektroiekārtas nekāda veida slīpripas.
- ▶ Virziet elektroiekārtu pret apstrādājamo materiālu tikai tad, kad tā ir ieslēgta.
- ▶ Pieskaņojiet virzīšanas spēku zāga ripai un zāģējamajam materiālam. Tādējādi tiek novērsta zāga ripas nobloķēšanās un varbūtējais atsitieni.
- ▶ Raugieties, lai netiktu pārkarsētas zāga zobu smailes.
- ▶ Iekārtā nostiprināmā instrumenta pieļaujamajam rotācijas ātrumam jābūt vismaz tikpat lielam kā uz iekārtas norādītajam maksimālajam rotācijas ātrumam. Ja instrumentu rotācijas ātrums pārsniedz pieļaujamo, tie var salūzt un aizlidot.
- ▶ Nestrādājiet vidē, kurā ir liels putekļu piesārņojums.
- ▶ Putekļi, kas rodas slīpēšanas, griešanas un urbšanas laikā, var saturēt bīstamas ķīmikālijas. Daži piemēri: svins vai krāsas uz svina bāzes; ķieģeļi, betons un citi mūra materiāli, dabīgais akmens un citi silīkāts saturoši materiāli; noteiktu veidu koksne, piemēram, skābardis, ozols un ķīmiska apstrādāta koksne; azbests vai azbestu saturoši materiāli. Nosakiet ekspozīcijas līmeni, kam pakļauts iekārtas lietotājs un tuvumā esošās personas, vadoties pēc apstrādājamo materiālu bīstamības kategorijas. Veiciet nepieciešamos pasākumus, lai ekspozīcija nesasniegtu kaitīgu līmeni, piemēram, lietojiet putekļu nosūcēšanas sistēmu vai piemērotus elpceļu aizsardzības līdzekļus. Vispārīgie ekspozīcijas ierobežošanas pasākumi ir šādi:
 - ▶ darbs labi vēdināmās vietās,
 - ▶ izvairīšanās no ilgstošas saskares ar putekļiem,
 - ▶ putekļu novirzīšana projām no sejas un ķermeņa,
 - ▶ aizsargapģērba valkāšana un savārtītā apģērba mazgāšana ar ūdeni un ziepēm.
- ▶ Gan jums, gan visām pārējām personām, kas uzturas darba zonā, vienmēr jāvalkā lietojumam atbilstīga elpceļu aizsargmaska.
- ▶ Gan jums, gan visām pārējām personām, kas uzturas darba zonā, elektroiekārtas lietošanas laikā vienmēr jāvalkā piemērotas aizsargbrilles, aizsargķivere, dzirdes aizsarglīdzekļi, aizsargcimdi un droši darba apavi.
- ▶ Pirms darba sākšanas noskaidrojiet darba laikā radušos putekļu bīstamības kategoriju. Lietojiet celtniecības putekļsūcēju ar oficiālas sertifikācijas ietvaros piešķirtu drošības klasifikāciju, kas atbilst vietējiem putekļu ietekmes ierobežošanas normatīviem.
- ▶ Ievērojiet jūsu valsti spēkā esošās darba aizsardzības prasības.
- ▶ Lai droši nofiksētu apstrādājamo materiālu un saglabātu stabilu pozīciju, lietojiet iespīlēšanas ierīci vai citus praksē pārbaudītus fiksācijas līdzekļus. Apstrādājamā materiāla turēšana ar roku nenodrošina



pietiekamu stabilitāti un var izraisīt kontroles zaudēšanu. Nelieciet pieturēt zāgējamo materiālu citām personām.

- ▶ Nezāgējiet materiālos, ja nav zināms, kas zem tiem atrodas, un nodrošiniet, lai virs un zem zāga gājienu neatrastos nekādi šķēršļi. Ja zāga asmens atduras pret kādu priekšmetu, tas var izraisīt elektroiekārtas atsitienu.
- ▶ Traumu risks, ko rada krītoši instrumenti un/vai piederumi. Pirms darba sākšanas pārbaudiet, vai piemontētie piederumi ir droši nostiprināti.
- ▶ Ja zāgēšanas laikā tiek izmantots putekļu nosūcējs, nepieskarieties putekļu aizsargpārsegam vai iesūkšanas šļūtenei. Materiāli, kas rada daudz putekļu, var paaugstināt elektrostatiskās izlādes radīta triecienu risku.
- ▶ Raugieties, lai zāgējuma vietā neatrastos nekādi šķēršļi, piemēram, naglas, skrūves vai citas metāla daļas.
- ▶ Lietojiet tikai un vienīgi **Hilti** ieteiktās zāga rīpas, kas atbilst standartam EN 847-1.
- ▶ Zāgējot plastmasu, pievērsiet uzmanību tam, lai zāgējamais materiāls nepārkarstu un nesāktu kust.

Elektrodrošība

- ▶ Piemēram, ar detektora palīdzību, pirms darba sākšanas pārbaudiet, vai zem apstrādājamās virsmas neatrodas nosēgti elektriskie vadi, gāzes vai ūdens caurules. Elektroiekārtas ārējās metāla daļas var būt zem sprieguma, piemēram, ja darba laikā nejauši tiek bojāts elektriskais vads. Tādējādi rodas palielināts elektriskā trieciena risks.

2.4 Akumulatoru pareiza lietošana un apkope

- ▶ **Ievērojiet turpmāk izklāstītos drošības norādījumus, lai litija jonu akumulatoru lietošana neradītu apdraudējumu.** Norādījumus neievērošana var izraisīt ādas kairinājumu, smagas korozīvas traumas, ķīmiskos apdegumus, ugunsgrēku vai eksploziju.
- ▶ Lietojiet akumulatorus tikai tad, ja tie ir nevainojamā tehniskajā stāvoklī.
- ▶ Rīkojieties ar akumulatoriem uzmanīgi, lai pasargātu tos no bojājumiem un nepieļautu veselībai ļoti kaitīgu šķidrums izplūdi!
- ▶ Nekādā gadījumā nedrīkst veikt akumulatoru pārveidi vai citas neatļautas manipulācijas!
- ▶ Akumulatorus nedrīkst izjaukt, saspīest, sakarsēt virs 80 °C (176 °F) vai sadedzināt.
- ▶ Nelietojiet un nemēģiniet uzlādēt akumulatorus, kas bijuši pakļauti triecieniem vai ir bojāti citā veidā. Regulāri pārbaudiet, vai akumulatoriem nav konstatējamas bojājumu pazīmes.
- ▶ Nekādā gadījumā nelietojiet atjaunotus vai remontētus akumulatorus.
- ▶ Nekādā gadījumā nelietojiet akumulatoru vai ar akumulatoru darbināmu elektroiekārtu kā instrumentu sišanai.
- ▶ Nekādā gadījumā nepakļaujiet akumulatorus tiešiem saules stariem, augstai temperatūrai, dzirkstelēm vai atklātai liesmai. Tas var izraisīt eksploziju.
- ▶ Nepieskarieties bateriju poliem ar pirkstiem vai instrumentiem un nepieļaujiet, ka tie nonāk saskarē ar rotaslietām vai citiem priekšmetiem, kam piemīt elektriskā vadītspēja. Tas var izraisīt akumulatoru bojājumus, kā arī materiālu kaitējumu un traumas.
- ▶ Sargājiet akumulatorus no lietus un mitruma un šķidrumiem. Mitruma iekļūšana var izraisīt īssavienojumu, elektrisko triecienu, apdegumus, ugunsgrēku un eksploziju.
- ▶ Lietojiet kopā ar akumulatoru tikai tā tipam paredzētos lādētājus un elektroiekārtas. Ievērojiet attiecīgo lietošanas instrukciju norādījumus.
- ▶ Nelietojiet un neuzglabājiet akumulatoru sprādzienbīstamā vidē.
- ▶ Ja akumulators kļūst pārāk karsts, iespējams, ka tas ir bojāts. Novietojiet akumulatoru labi pārredzamā, ugunsdrošā vietā, pietiekamā atstatumā no degošiem materiāliem. Laujiet akumulatoram atdzist. Ja pēc stundas akumulators joprojām ir tik karsts, ka to ir grūti satvert, tas nozīmē, ka tas ir bojāts. Vērsieties servīsa **Hilti** vai izlasiet dokumentu "Norādījumi par **Hilti** litija jonu akumulatoru drošību un lietošanu".



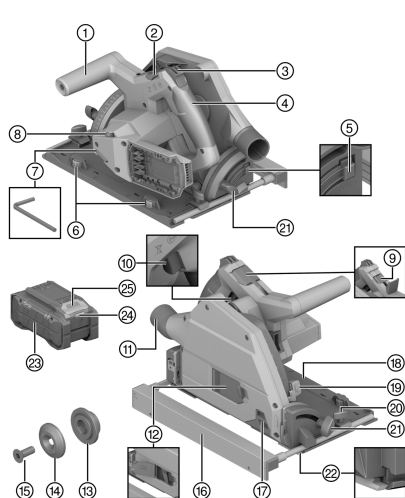
Ievērojiet īpašos norādījumus, kas attiecas uz litija jonu akumulatoru transportēšanu, uzglabāšanu un lietošanu. 133

Izlasiet Norādījumus par **Hilti** litija jonu akumulatoru drošību un lietošanu, kas ir pieejami, noskenējot QR kodu šīs lietošanas instrukcijas beigās.



3 Apraksts

3.1 Izstrādājuma pārskats



- ① Papildu rokturis
- ② Bloķēšanas svira zāģa asmens nomainīgai
- ③ Ieslēgšanās bloķēšana
- ④ Galvenais rokturis
- ⑤ Atbloķēšanas taustiņš zāģējuma leņķim -1° un 47°
- ⑥ Brīvkustības izlīdzināšanas regulators (brīvkustība starp vadsliedi un vadotnes rievu pamatplāksnē)
- ⑦ Sešstūra atslēga
- ⑧ Zāģa ripas apgriezumu skaita regulators
- ⑨ Vārpstas bloķēšana
- ⑩ Ieslēgšanas un izslēgšanas slēdzis
- ⑪ Skaidu izvads / savienojuma īscaurule
- ⑫ Montāžas pārsegs zāģa ripas nomainīgai
- ⑬ Stiprinājuma atloks
- ⑭ Fiksācijas atloks
- ⑮ Fiksācijas skrūve
- ⑯ Paralēlā atdure
- ⑰ Bīdāms pretputekļu aizsarglodziņš
- ⑱ Pamatplāksne
- ⑲ Griezuma dziļuma iestatīšana
- ⑳ Paralēlās atdures fiksācijas skrūve
- ㉑ Fiksācijas skrūve zāģēšanas leņķa iestatīšanai
- ㉒ Adaptīvais zāģējuma rādītājs
- ㉓ Akumulators
- ㉔ Akumulatora statusa indikācija
- ㉕ Akumulatora atbloķēšanas taustiņš

3.2 Nosacījumiem atbilstīga lietošana

Aprakstītais izstrādājums ir ar akumulatoru darbināms iegremdējamaais ripzāģis. Tas ir paredzēts zāģēšanas darbiem un iegremdētiem zāģējumiem tikai šādos materiālos:

- koks un kokam līdzīgi materiāli
- plastmasa
- ģipškartona plāksnes
- šķiedras cementa plāksnes
- krāsainie metāli

Izstrādājums ir paredzēts galdniecības darbiem un iekšdarbiem būvniecībā.

Manuālais ripzāģis ir aprīkots ar putekļsūcēja pieslēguma īscauruli, kas ir piemērota izplatītāko nosūkšanas šļūtenju pievienošanai. Putekļsūcēja šļūtenes savienošanai ar zāģi var būt nepieciešams atbilstīgs adaptors. Izmantojiet tikai lietošanai ar šo izstrādājumu atļautās zāģa ripas, kas atbilst tehniskajā specifikācijā norādītajiem parametriem (piemēram, diametram, apgriezumu skaitam, biežumam, materiālam utt.). Nav atļauts izmantot slīpriņas un griezējriņas, kā arī zāģa ripas, kas izgatavotas no augsta leģējuma ātrgriešanas tērauda (HSS).

Zāģējiet tikai gludus materiālus, kuriem ir pietiekami liela virsma, lai varētu atbalstīt pamatplāksni.

- Lietojiet kopā ar šo izstrādājumu tikai sērijas B 22 **Hilti** litija jonu akumulatorus. **Hilti** iesaka lietot kopā ar šo izstrādājumu šīs lietošanas instrukcijas beigās atrodamajā tabulā norādītos akumulatorus.
- Lietojiet šo akumulatoru uzlādēšanai tikai šīs lietošanas instrukcijas beigās norādīto sēriju **Hilti** lādētājus.



3.3 Piegādes komplektācija

Ar akumulatoru darbināms ripzāģis, zāģa ripa, lietošanas instrukcija



Citus šim izstrādājumam izmantojamus sistēmas produktus meklējiet **Hilti Store** vai tīmekļvietnē: www.hilti.group

3.4 Litija jonu akumulatora indikācija

Hilti litija jonu akumulatoru Nuron indikācija var informēt par akumulatora uzlādes līmeni, kļūmēm un stāvokli.

3.4.1 Uzlādes līmeņa indikācija un kļūmes paziņojumi

BRĪDINĀJUMS!

Traumu risks akumulatora nokrišanas gadījumā!

- ▶ Ja akumulators ir ievietots un tiek nospiepts atbloķēšanas taustiņš, nodrošiniet, lai akumulators atkal tiktu kārtīgi nofiksēts izstrādājumā.

Lai redzētu kādu no turpmāk aprakstītajām indikācijas veidiem, īsi nospiediet akumulatora atbloķēšanas taustiņu.

Uzlādes līmeņa un varbūtējo traucējumu indikācija ir redzama arī pastāvīgi, kamēr izstrādājums ir ieslēgts.

Stass	Nozīme
Četras (4) LED konstanti deg zaļā krāsā	Uzlādes līmenis: no 100 % līdz 71 %
Trīs (3) LED konstanti deg zaļā krāsā	Uzlādes līmenis: no 70 % līdz 51 %
Divas (2) LED konstanti deg zaļā krāsā	Uzlādes līmenis: no 50 % līdz 26 %
(1) LED konstanti deg zaļā krāsā	Uzlādes līmenis: no 25 % līdz 10 %
Viena (1) LED lēni mirgo zaļā krāsā	Uzlādes līmenis: < 10 %
(1) LED ātri mirgo zaļā krāsā	Litija jonu akumulators ir pilnībā izlādējies. Uzlādējiet akumulatoru. Ja LED pēc akumulatora uzlādes projojām ātri mirgo, vērsieties Hilti servisā.
(1) LED ātri mirgo dzeltenā krāsā	Litija jonu akumulators vai tam pievienotais izstrādājums ir pārslēgots, pārāk karsts vai pārāk auksts vai ir radusies cita kļūme. Nodrošiniet, lai izstrādājums vai akumulators būtu ieteicamajā darba temperatūrā, un lietojiet izstrādājumu tā, lai tas netiktu pārslēgots. Ja indikācija nepazūd, vērsieties Hilti servisā.
Viena (1) LED konstanti deg dzeltenā krāsā	Litija jonu akumulators un ar to savienotais izstrādājums nav savā starpā saderīgi. Lūdzu, vērsieties Hilti servisā.
(1) LED ātri mirgo sarkanā krāsā	Litija jonu akumulators ir bloķēts un nav lietojams. Lūdzu, vērsieties Hilti servisā.

3.4.2 Akumulatora stāvokļa indikācijas

Lai apskatītu akumulatora stāvokļa indikāciju, turiet atbloķēšanas taustiņu nospiestu ilgāk nekā trīs sekundes. Sistēma konstatē, ka potenciālu baterijas kļūmi, ko var izraisīt neatbilstīga apiešanās, piemēram, kritiens, sadursšana, ārēja karstuma iedarbība utt.

Stass	Nozīme
Visas LED deg kā skrejošā gaisma, pēc tam viena (1) LED konstanti deg zaļā krāsā.	Akumulatoru var turpināt lietot.
Visas LED deg kā skrejošā gaisma, pēc tam viena (1) LED konstanti deg dzeltenā krāsā.	Akumulatora stāvokļa informācijas nolaīšanu neizdevās pabeigt. Atkārtojiet procesu vai vērsieties Hilti servisā.



Stassus	Nozīme
Visas LED deg kā skrejošā gaisma, pēc tam viena (1) LED konstanti deg sarkanā krāsā.	Ja pievienoto izstrādājumu var turpināt lietot, atlikusi akumulatora kapacitāte ir mazāka nekā 50 %. Ja pievienoto izstrādājumu vairs nevar lietot, akumulators ir savu laiku nokalpojis un jānomaina pret citu. Lūdzu, vērsieties Hilti servisā.

4 Tehniskie parametri

4.1 Izstrādājuma īpašības

	SC 6WP-22
Izstrādājuma paudze	01
Svars	3,3 kg (saskaņā ar EPTA-Procedure 01, bez akumulatora)
Svars (paralēlā atdure)	0,45 kg
Izmēri (garums × platums × augstums)	360 mm × 200 mm × 237 mm
Pamatripas biezums	1 mm ... 1,5 mm
Maksimālais griezuma dziļums	57 mm
Nominālais apgriezīgu skaits tukšgaitā	6 000 apgr./min
Nominālais spriegums	21,6 V

4.2 Zāģa ripu veidi un to lietojums

Zāģa ripas veids	Norādījums par lietošanu
Universālā zāģa ripa	Koks un materiāli uz koksnis bāzes
Zāģa ripa smalkiem griezumiem	
Šķiedrcementa ripa	Šķiedrcements vai materiāli uz šķiedrcementa bāzes

4.3 Uzglabāšanas un darba temperatūra

Uzglabāšanas temperatūra	-20 °C ... 70 °C
Apkārtējā temperatūra darbības laikā	-17 °C ... 60 °C

4.4 Akumulators

Akumulatora darba spriegums	21,6 V
Akumulatora svars	Skat. šīs lietošanas instrukcijas beigās
Apkārtējā temperatūra darbības laikā	-17 °C ... 60 °C
Uzglabāšanas temperatūra	-20 °C ... 40 °C
Akumulatora temperatūra uzlādes sākumā	-10 °C ... 45 °C

4.5 Informācija par troksni un svārstībām

Šajās instrukcijās norādītie lielumi, kas raksturo skaņas spiedienu un vibrāciju, ir noteikti ar standartizētās mērījumu metodes palīdzību, un tos var izmantot elektroiekārtu savstarpējai salīdzināšanai. Tos var izmantot arī trokšņa un vibrācijas iedarbības pagaidu novērtējumam.

Norādītie parametri attiecas uz elektroiekārtas galvenajiem lietošanas veidiem. Taču, ja elektroiekārta tiek izmantota citos nolūkos, ar citiem maināmajiem instrumentiem vai netiek nodrošināta pietiekama tās apkope, parametri var atšķirties no norādītajiem. Tas var ievērojami palielināt trokšņa un vibrācijas iedarbību visā darba laikā.



Lai precīzi novērtētu iedarbību, jāņem vērā arī laiks, cik ilgi elektroiekārta ir izslēgta vai ir ieslēgta, taču faktiski netiek darbināta. Tas var būtiski samazināt iedarbību kopējā darba laikā.

Jāparedz papildu drošības pasākumi, lai aizsargātu iekārtas lietotāju pret trokšņa un/vai vibrācijas iedarbību, piemēram, elektroiekārtas un apkoje, roku turēšana siltumā, darba procesu organizācija.



Sīkāka informācija par šeit piemērotajām **EN 62841** standartu versijām var atrast Atbilstības deklarācijas attēlā 313.

Informācija par troksni

Skaņas jaudas līmenis (L_{WA})	106 dB(A)
Skaņas jaudas līmeņa pielaipe (K_{WA})	3 dB(A)
Skaņas spiediena līmenis (L_{pA})	98 dB(A)
Skaņas spiediena līmeņa pielaipe (K_{pA})	3 dB(A)

Kopējie vibrācijas rādītāji

Zāģēšana skaidu plāksnē (a_h, W)	B 22-55	0,9 m/s ²
Zāģēšana alumīnija loksne (A_h, M)	B 22-55	1,7 m/s ²
Iespējamā kļūda (K)		1,5 m/s ²

5 Sagatavošanās darbam

BRĪDINĀJUMS!

Traumu risks nejaušas iedarbošanās gadījumā!

- ▶ Pirms akumulatora ievietošanas pārliecinieties, ka attiecīgais izstrādājums ir izslēgts.
- ▶ Pirms iekārtas iestatīšanas vai piederumu maiņas izņemiet no iekārtas akumulatoru.

Ievērojiet drošības norādījumus un brīdinājumus, kas atrodami šajā dokumentācijā un uz izstrādājuma.

5.1 Akumulatora uzlādēšana

1. Pirms uzlādes sākšanas izlasiet lādētāja lietošanas instrukciju.
2. Raugieties, lai akumulatora un lādētāja kontaktu virsmas ir tīras un sausas.
3. Veiciet akumulatora uzlādi atbilstīgā lādētājā. 125

5.2 Akumulatora ievietošana

BRĪDINĀJUMS!

Traumu risks īssavienojuma vai akumulatora nokrišanas gadījumā!

- ▶ Pirms akumulatora ievietošanas pārliecinieties, ka uz akumulatora un izstrādājuma kontaktiem neatrodas nekādi svešķermeņi.
- ▶ Pārbaudiet, vai akumulators ir droši nofiksēts.

1. Pirms pirmās lietošanas pilnībā uzlādējiet akumulatoru.
2. Iebīdiet akumulatoru izstrādājumā, līdz tas dzirdami nofiksējas.
3. Pārbaudiet, vai akumulators ir droši nofiksēts.

5.3 Akumulatora izņemšana

1. Nospiediet akumulatora atbloķēšanas taustiņu.
2. Izvelciet akumulatoru no iekārtas.

5.4 Nodrošinājums pret kritienu 2

BRĪDINĀJUMS!

Traumu risks instrumenta un/vai papildaprīkojuma nokrišanas gadījumā!

- ▶ Lietojiet tikai jūsu izstrādājumam ieteikto **Hilti** instrumentu drošības virvi.
- ▶ Pirms katras lietošanas pārbaudiet, vai nav bojāts instrumentu drošības virves stiprinājuma punkts.





Ievērojiet jūsu valstī spēkā esošos noteikumus par darbu augstumā.

Šī izstrādājuma aizsardzībai pret kritieniem lietojiet tikai **Hilti** instrumentu drošības virvi #2261971.

- ▶ Nostipriniet instrumentu drošības virvi ar cilpu pie izstrādājuma, kā parādīts attēlā. Pārbaudiet, vai fiksācija ir droša.
- ▶ Nostipriniet karabīnes āķi pie nesošās konstrukcijas. Pārbaudiet, vai karabīnes āķis ir droši nofiksēts.



Ievērojiet **Hilti** instrumentu drošības virves lietošanas instrukciju.

5.5 Iegremdējamās daļas novietošana montāžas pozīcijā



Iegremdējamajai daļai ir montāžas pozīcija, kurā ir pieejama caur montāžas atveri ir pieejama fiksācijas skrūve. Montāžas pozīciju var iestatīt, izmantojot bloķēšanas sviru.

Kad bloķēšanas svira tiek atlocīta atpakaļ (pamata pozīcijā), iegremdējamā daļa atkal nofiksējas. Turiet izstrādājumu aiz galvenā roktura, lai kontrolēti pārvietotu iegremdējamo daļu pamata pozīcijā.

1. Novietojiet izstrādājumu tā, lai varētu to iegremdēt maksimālā griezuma dziļumā (piemēram, pie galda malas).
2. Atveriet zāģa ripas montāžai paredzēto montāžas pārsegu.
3. Iestatiet zāģējuma dziļuma regulēšanas indikatoru uz maksimālo vērtību **(1)**.
4. Atlokiet bloķēšanas sviru uz augšu (montāžas pozīcijā) **(2)**.
5. Nospiediet un turiet ieslēgšanas bloķētāju **(3)** un nolaidiet iegremdējamo daļu montāžas pozīcijā.
 - ▶ Iegremdējamā daļa dzirdami nofiksējas montāžas pozīcijā.
 - ▶ Fiksācijas skrūve ir redzami nocentrēta montāžas atverē.

5.6 Zāģa ripas demontāža



BRĪDINĀJUMS!

Apdedzināšanās un sagriešanās risks, pieskaroties zāģa ripai, fiksācijas skrūvei un fiksācijas atlokam. Tas var izraisīt apdegumus un grieztas traumas.

- ▶ Mainot instrumentus, lietojiet aizsargcimdus.

1. Novietojiet iegremdējamo daļu montāžas pozīcijā. 129
2. Nospiediet un turiet nospiestu vārpstas bloķētāju **(1)**.
3. Atskrūvējiet fiksācijas skrūvi ar iekšējā sešstūra atslēgu **(2)**.



Vadieties pēc rotācijas virziena bultiņas: atskrūvējiet fiksācijas skrūvi zāģa ripas rotācijas virzienā.

4. Izņemiet fiksācijas skrūvi un noņemiet fiksācijas atloku.
5. Virzienā uz leju izņemiet zāģa ripu no drošības pārsega.



Ja nepieciešams, atbalsta atloku var noņemt, lai veiktu tīrīšanu.

5.7 Zāģa ripas montāža

Nodrošiniet, lai nofiksēšanai paredzētā zāģa ripa atbilstu tehniskajām prasībām un būtu nevainojami uzasināta. Asi zāģa ripas zobi ir priekšnoteikums nevainojamai zāģējuma kvalitātei.

Pirms katras lietošanas vienmēr izvēlieties zāģa ripu, kas ir piemērota apstrādājamajam materiālam.

1. Novietojiet iegremdējamo daļu montāžas pozīcijā. 129
2. Notīriet stiprinājuma atloku un fiksācijas atloku **(1)**.
3. Uzlieciet atbalsta atloku uz darba vārpstas, raugoties, lai tas būtu novietots pareizā virzienā.
4. Uzlieciet jaunu zāģa ripu **(2)**.
 - ▶ Pievērsiet uzmanību rotācijas virziena bultiņai uz zāģa ripas **(3)** un aizsargpārsega **(4)**. Abām rotācijas virziena bultiņām jābūt pavērstām uz vienu pusi.



5. Pareizā virzienā uzlieciet stiprinājuma atloku.
6. Ieskrūvējiet fiksācijas skrūvi.
7. Nospiediet un turiet nospiestu vārpstas bloķētāju (5).
8. Pievelciet fiksācijas skrūvi ar iekšējā sešstūra atslēgu (6).



Vadieties pēc rotācijas virziena bultiņas: pievelciet fiksācijas skrūvi pretēji zāga ripas rotācijas virzienam.

9. Pārbaudiet, vai zāga ripas fiksācija ir nevainojama.
10. Satveriet izstrādājuma galveno rokturi.
11. Iestatiet bloķēšanas sviru pamata pozīcijā un pagrieziet iegremdējamo daļu atpakaļ pamata pozīcijā (7).
12. Aizveriet zāga ripas montāžai paredzēto montāžas pārsegu.

5.8 Bīdāms pretputekļu aizsarglodziņš

Lai nodrošinātu optimālu skaidu nosūkšanu, vienmēr piespiediet putekļu aizsarglodziņu pēc iespējas tuvāk apstrādājamajam materiālam.

5.9 Zāģējuma dziļuma noregulēšana



Noregulējamam zāģējuma dziļumam vienmēr jābūt par 5 līdz 10 mm lielākam par zāģējamā materiāla biezumu.

1. Nospiediet un turiet zāģējuma dziļuma iestatīšanas atbloķētāju (1).
2. Pabīdiet slīdni līdz vajadzīgajam zāģējuma dziļumam (2).
 - ▶ Zāģējuma dziļuma rādītājam ir atsevišķa indikācija zāģēšanai ar vadsliedi (3) un zāģēšanai bez vadsliedes (4).
3. Atlaidiet zāģējuma dziļuma iestatīšanas atbloķētāju.

5.10 Zāģēšanas leņķa iestatīšana slīpiem zāģējumiem



• Nepieļaujiet atšķirīgus priekšējā un aizmugurējā leņķa iestatījumus, pievilšanas laikā izdarot spiedienu uz papildu rokturi vai zāģi. Atšķirīgu leņķa iestatījumu dēļ zāģējumu vairs nevar veikt taisni.

1. Atskrūvējiet 2 zāģējuma leņķa iestatīšanas fiksācijas skrūves (1).
2. Pagrieziet izstrādājumu nepieciešamajā zāģējuma leņķī.
 - ▶ Ja vēlaties iestatīt leņķi no -1° vai virs 45° (maksimāli līdz 47°), nospiediet un turiet atbloķēšanas taustiņu (2).
3. Pievelciet vienu no abām zāģējuma leņķa iestatīšanas fiksācijas skrūvēm.
4. Pievelciet pretējo zāģējuma leņķa iestatīšanas fiksācijas skrūvi.

5.11 Zāga ripas apgriezīgu skaita iestatīšana

Vienmēr izmantojiet apgriezīgu skaita iestatījumu, kas atbilst izmantotajai zāga ripai un apstrādājamajam materiālam. Apgriezīgu skaita iestatīšana ļauj izvairīties no zāga zobu pārkaršanas un paildzināt zāga ripu kalpošanas laiku.

- ▶ Pagrieziet apgriezīgu skaita regulatoru nepieciešamajā pozīcijā.

5.12 Paralēlās atdures montāža



Atkarībā no montāžas pie izstrādājuma paralēlajai atdurei var būt viena no divām funkcijām:

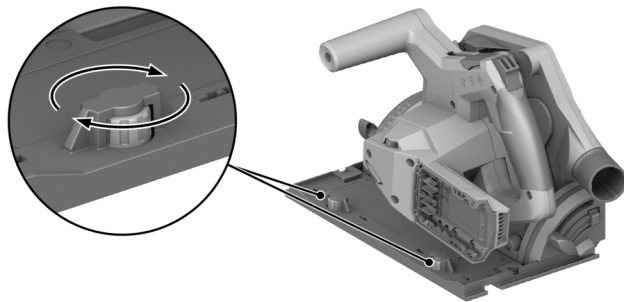
- L veida mala ir pavērsta uz leju:
paralēlā atdure ļauj veikt vienādus zāģējumus gar vienu malu.
- L veida mala ir pavērsta uz augšu:
pamatplāksnes palielināšana stabilākai zāģēšanai, neizmantojot vadsliedi.

1. Atskrūvējiet abas fiksācijas skrūves.



2. Iebīdiēt paralēlo atduri pamatplāksnes montāžas stiprinājumos.
3. Iestatiet paralēlo atduri zāģēšanai nepieciešamajā atstumā.
 - ▶ Raugieties, lai atstatumus abās pusēs būtu vienāds.
4. Pievelciet abas fiksācijas skrūves.

5.13 Izstrādājuma novietošana uz vadslīdes



1. Novietojiet izstrādājumu ar pamatplāksnes rienu uz atbalsta ribas.
2. Pārbaudiet brīvkustību starp vadslīdi un pamatplāksni.
3. Noregulējiet brīvkustību ar ekscentra skrūvēm (1):
 - ▶ lai samazinātu brīvkustību, pagrieziet ekscentra skrūves pulkstenrādītāja kustības virzienā.
 - ▶ lai palielinātu brīvkustību, pagrieziet ekscentra skrūves pretēji pulkstenrādītāja kustības virzienam.
4. Noregulējiet brīvkustību tik mazu, cik vien iespējams, neraucējot slīdņa kustību.

6 Lietošana

Ievērojiet drošības norādījumus un brīdinājumus, kas atrodami šajā dokumentācijā un uz izstrādājuma.

6.1 Ieslēgšana vai izslēgšana

Ieslēgšana

1. Nospiediet un turiet ieslēgšanas bloķētāju uz augšu.
2. Nospiediet un turiet nospiestu ieslēgšanas / izslēgšanas slēdzi.
3. Atlaidiet ieslēgšanas bloķētāju.

i Ieslēgšanas bloķētājs paliek atbloķētā stāvoklī tik ilgi, kamēr tiek turēts nospiests ieslēgšanas / izslēgšanas slēdzis vai iegremdējamā daļa atrodas iegremdētā pozīcijā. Ieslēgšanas bloķētājs automātiski pārlec bloķētā pozīcijā, kad iegremdējamā daļa atrodas pamata pozīcijā un tiek atlaists ieslēgšanas / izslēgšanas slēdzis.

Izslēgšana

4. Novietojiet iegremdējamo daļu atpakaļ pamata pozīcijā.
5. Atlaidiet ieslēgšanas / izslēgšanas slēdzi.

6.2 Putekļu un skaidu savākšana



- Zāģēšana, izmantojot **putekļu nosūkšanu**: savienojiet iesūkšanas šļūteni ar iesūkšanas īscauruli un ievērojiet putekļu nosūcēja lietošanas instrukcijā ietvertos norādījumus.
- Zāģēšana, izmantojot **putekļu maisiņu**: Iespraudiet putekļu maisiņa adapteru putekļu nosūcēja iesūkšanas īscaurulē.


i Izstrādājumu var darbināt arī bez putekļu savākšanas metodes. Raugieties, lai nebūtu traucēta zāģēšanas radīto putekļu un skaidu novadīšana.



6.3 Zāgēšana pēc iezāgējuma veikšana 11




 Zāgējiet tikai gludus materiālus, kuriem ir pietiekami liela virsma, lai varētu atbalstīt pamatplāksni.

1. Nodrošiniet zāgējamo materiālu pret izkustēšanos un atzīmējiet zāgējuma līniju (iezāgējumu).
2. Iestatiet skenēšanas dziļumu.  130
3. Novietojiet izstrādājumu ar adaptīvo zāgējuma rādītāju pie iezāgēšanas līnijas.
4. Ieslēdziet izstrādājumu.  131
 - ▶ Izstrādājuma iegremdēšanas kustība ir iespējama tikai tad, ja ir atbloķēts ieslēgšanas / izslēgšanas slēdzis.
5. Līdz atdurei iegremdējiet iegremdējamo daļu zāgējamajā materiālā (1).
6. Piemērotā darba ātrumā virziet izstrādājumu caur zāgējamo materiālu.
7. Pagrieziet iegremdējamo daļu atpakaļ pamata pozīcijā ar rotējošu zāga ripu (2).


 Tādējādi tiks novērsta zāga asmens iestrēgšanu apstrādājamajā materiālā.



8. Ieslēdziet izstrādājumu, tiklīdz iegremdējamā daļa atrodas pamata pozīcijā.  131

6.4 Iegremdēta zāgējuma veikšana




1. Iestatiet skenēšanas dziļumu.  130
2. Novietojiet izstrādājumu pie apstrādājamā materiāla.
3. Ieslēdziet izstrādājumu.  131
 - ▶ Izstrādājuma iegremdēšanas kustība ir iespējama tikai tad, ja ir atbloķēts ieslēgšanas / izslēgšanas slēdzis.
4. Līdz atdurei iegremdējiet izstrādājumu zāgējamajā materiālā.
5. Piemērotā darba ātrumā virziet izstrādājumu caur zāgējamo materiālu.
6. Pagrieziet izstrādājumu, lai izņemtu to no zāgējamā materiāla.
7. Ieslēdziet izstrādājumu, tiklīdz iegremdējamā daļa atrodas pamata pozīcijā.  131

6.5 Slīpu zāgējumu veikšana (leņķa zāgējumi)

 Izstrādājums ir aprīkots ar adaptīvu zāgējuma rādītāju, kas automātiski pielāgojas iestatītajam zāgēšanas leņķim. Adaptīvais zāgējuma rādītājs ir izmantojams tikai uz zāgēšanai bez vadslīdes. Veicot zāgēšanu ar vadsliedi, zāgējuma līnija konstrukcijas dēļ nav atkarīga no iestatītā zāgēšanas leņķa.

1. Lai veiktu slīpu zāgējumu, iestatiet zāgējuma leņķi.  130
2. Novietojiet izstrādājumu ar adaptīvo zāgējuma rādītāju pie iezāgēšanas līnijas.
3. Ieslēdziet izstrādājumu.  131
4. Iegremdējiet iegremdējamo daļu apstrādājamajā materiālā.
5. Virziet izstrādājumu caur zāgējamo materiālu gar vadsliedi.

6.6 Zāgēšana, izmantojot vadsliedi 10

1. Nofiksējiet vadsliedi ar 2 skrūvspīlēm.
2. Novietojiet pamatplāksni ar rievu uz vadslīdes atbalsta ribas.
3. Lai veiktu slīpu zāgējumu, iestatiet zāgējuma leņķi.  130
4. Iestatiet skenēšanas dziļumu.  130
5. Ieslēdziet izstrādājumu.  131
6. Iegremdējiet iegremdējamo daļu apstrādājamajā materiālā.
7. Virziet izstrādājumu caur zāgējamo materiālu gar vadsliedi.



7 Apkope un uzturēšana

BRĪDINĀJUMS!

Traumu risks ievietota akumulatora gadījumā !

- ▶ Pirms jebkādiem apkopes un tehniskā stāvokļa uzturēšanas darbiem vienmēr izņemiet akumulatoru!

Izstrādājuma kopšana

- Uzmanīgi notīriet pielīpušos netīrumus.
- Ja izstrādājumam ir ventilācijas atveres, uzmanīgi iztīriet tās ar sausu, mīkstu birstīti.
- Notīriet korpusa virsmas tikai ar nedaudz samitrinātu drāniņu. Nelietojiet silikonu saturošus kopšanas līdzekļus, jo tie var sabojāt plastmasas daļas.
- Izstrādājuma kontaktu tīrīšanai lietojiet tīru un sausu drāniņu.

Litija jonu akumulatoru apkope

- Nekādā gadījumā nelietojiet akumulatoru ar nosprostotām ventilācijas atverēm. Uzmanīgi iztīriet ventilācijas atveres ar sausu, mīkstu birstīti.
- Nepakļaujiet akumulatoru nevajadzīgai putekļu vai netīrumu ietekmei. Nekādā gadījumā nepakļaujiet akumulatoru spēcīgam mitrumam (piemēram, nemērciet to ūdenī un neatstājiet lietū).
Ja akumulators ir samircis, rīkojieties ar to tāpat, kā jūs rīkotos ar bojātu akumulatoru. Ievietojiet to izolētā nedegoša materiāla tvertnē un vēršieties **Hilti** servisā.
- Raugieties, lai akumulators nebūtu savārtīts ar nepiederīgu eļļu un smērvielām. Raugieties, lai uz akumulatora nevajadzīgi neuzkrātos putekļi un netīrumi. Notīriet akumulatoru ar sausu, mīkstu birstīti vai tīru un sausu drāniņu. Nelietojiet silikonu saturošus kopšanas līdzekļus, jo tie var sabojāt plastmasas daļas.
Nepieskarieties akumulatora kontaktiem un neattīriet kontaktus no rūpnīcā uzklātās smērvielas.
- Notīriet korpusa virsmas tikai ar nedaudz samitrinātu drāniņu. Nelietojiet silikonu saturošus kopšanas līdzekļus, jo tie var sabojāt plastmasas daļas.

Uzturēšana

- Regulāri pārbaudiet visas redzamās daļas, lai pārliecinātos, ka tās nav bojātas un funkcionē nevainojami.
- Nelietojiet izstrādājumu, ja tam ir radušies bojājumi un/vai funkciju traucējumi. Nekavējoties nododiet izstrādājumu **Hilti** servisā remonta veikšanai.
- Pēc apkopes un remonta darbiem piemontējiet vietā visas aizsargierīces un pārbaudiet, vai tās darbojas nevainojami.



Lai izstrādājuma lietošana būtu droša, izmantojiet tikai oriģinālās rezerves daļas un patēriņa materiālus. Rezerves daļas, patēriņa materiālus un piederumus, kuru lietošanu kopā ar šo izstrādājumu akceptē **Hilti**, var atrast **Hilti Store** vai tīmekļvietnē: www.hilti.group

7.1 Aizsargierīces tīrīšana

1. Uzmanīgi iztīriet aizsargierīci ar sausu birstīti.
2. Ar piemērota instrumenta palīdzību iztīriet nogulsņējumus un skaidas no aizsargierīces iekšpuses.

7.2 Skaidu kanāla tīrīšana

1. Ja pie nosūkšanas īscaurules ir piemontēts putekļu nosūcējs, noņemiet iesūkšanas šļūteni no nosūkšanas īscaurules.
2. Iztīriet skaidu kanālu ar birstīti.

8 Iekārtu un akumulatoru transportēšana un uzglabāšana

Transportēšana

IEVĒROT PIESARDZĪBU!

Nekontrolēta iedarbošanās transportēšanas laikā !

- ▶ Pirms iekārtu transportēšanas vienmēr izņemiet no tām akumulatorus!
- ▶ Izņemiet akumulatoru / akumulatorus.
- ▶ Nekādā gadījumā netransportējiet akumulatorus nenostiprinātā veidā, sabērtus kaudzē. Transportēšanas laikā akumulatori jāsgargā no triecieniem un vibrācijas, kā arī jāizolē no jebkādiem materiāliem, kam piemīt elektriskā vadītspēja, un citiem akumulatoriem, lai nepieļautu to nonākšanu saskarē ar citu



bateriju kontaktiem un īssavienojuma rašanos. **Ievērojiet vietējos noteikumus par akumulatoru transportēšanu.**

- ▶ Akumulatorus nedrīkst sūtīt pa pastu. Ja vēlaties nosūtīt nebojātos akumulatorus, vērsieties sūtījumu piegādes uzņēmumā.
- ▶ Pirms katras lietošanas, kā arī pēc ilgākas transportēšanas pārbaudiet, vai izstrādājums un akumulatori nav bojāti.

Uzglabāšana

BRĪDINĀJUMS!

Neparedzami bojājumi bojātu vai izplūdušu akumulatoru dēļ!

- ▶ Pirms iekārtu novietošanas glabāšanā vienmēr izņemiet no tām akumulatorus!
- ▶ Glabājiet izstrādājumu un akumulatorus vēsā un sausā vietā. Ievērojiet temperatūras robežvērtības, kas norādītas tehnisko parametru sadaļā.
- ▶ Neglabājiet akumulatorus uz lādētāja. Pēc uzlādes procesa vienmēr noņemiet akumulatoru no lādētāja.
- ▶ Nekad neglabājiet akumulatorus saulē, uz siltuma avotiem vai aiz stikla.
- ▶ Glabājiet izstrādājumu un akumulatorus tā, lai tiem nevarētu piekļūt bērni un nepiederošas personas.
- ▶ Pirms katras lietošanas, kā arī pēc ilgākas uzglabāšanas pārbaudiet, vai izstrādājums un akumulatori nav bojāti.

9 Traucējumu novēršana

Traucējumu gadījumā ņemiet vērā akumulatora statusa indikāciju. Skat. nodaļu **Litija jonu akumulatora indikācija**.

Ja izstrādājuma darbībā radušies traucējumi, kas nav uzskaitīti šajā tabulā vai ko jums neizdodas novērst saviem spēkiem, lūdzu, meklējiet palīdzību mūsu **Hilti** servisā.

Traucējums	Iespējamais iemesls	Risinājums
Ieslēgšanas / izslēgšanas slēdzi nav iespējams nospiegt, respektīvi, tas ir nobloķēts.	Nav filtra (drošības funkcija).	▶ Nospiediet ieslēgšanas bloķēšanas slēdzi.
Pēkšņi ievērojami samazinās rotācijas ātrums.	Akumulators ir izlādējies. Pārāk liels padeves spēks.	▶ Uzlādējiet akumulatoru. ▶ Samaziniet padeves spēku un vēlreiz ieslēdziet izstrādājumu.
Nosūkšanas jauda pazūd vai samazinās.	Nosprostots skaidu kanāls.	▶ Iztīriet skaidu kanālu. 133
Pēc zāga ripas nobloķēšanās iekārta pati neiedarbojas.	Neiedarbojas aizsardzība pret pārslodzi.	▶ Vēlreiz nospiediet ieslēgšanas bloķēšanas un ieslēgšanas / izslēgšanas taustiņu.
Akumulators nenofiksējas ar sadzirdamu klikšķi.	Netīrs akumulatora fiksācijas izcilnis.	▶ Notīriet fiksācijas izcilni un nofiksējiet akumulatoru vēlreiz.
Izstrādājums vibrē vairāk nekā parasti.	Nepareizi iemontēta zāga ripa.	▶ Demontējiet zāga ripu un piemontējiet to no jauna.
Akumulatora LED indikācijas nav.	Akumulators ir bojāts	▶ Vērsieties Hilti servisā.



10 Nokalpojušo iekārtu utilizācija

BRĪDINĀJUMS!

Traumu risks neatbilstīgas utilizācijas gadījumā! Veselības apdraudējums, izplūstot kaitīgām gāzēm un šķidrumiem.

- ▶ Bojātus akumulatorus nav atļauts nosūtīt!
- ▶ Lai nepieļautu īssavienojumus, nosedziet pieslēguma kontaktus ar materiālu, kam nepiemīt elektriskā vadītspēja.
- ▶ Utilizējiet akumulatorus tā, lai tiem nevarētu piekļūt bērni.
- ▶ Nododiet akumulatoru utilizācijai jūs apkalpojošajā **Hilti Store** vai vērsieties pie kompetentā atkritumu apsaimniekošanas uzņēmuma.

Hilti izstrādājumu izgatavošanā tiek izmantoti galvenokārt otrreiz pārstrādājami materiāli. Priekšnosacījums otrreizējai pārstrādei ir atbilstoša materiālu šķirošana. Daudzās valstīs **Hilti** pieņem nolietotās iekārtas otrreizējai pārstrādei. Lai saņemtu vairāk informācijas, vērsieties **Hilti** servisā vai pie sava pārdošanas konsultanta.



- ▶ Neizmetiet elektroiekārtas, elektroniskas ierīces un akumulatorus sadzīves atkritumos!

11 Ražotāja garantija

- ▶ Ar jautājumiem par garantijas nosacījumiem, lūdzu, vērsieties pie vietējā **Hilti** partnera.

12 Papildinformācija

Papildinformācija par lietošanu, tehniku, vides aizsardzību un materiālu otrreizējo pārstrādi ir pieejama, izmantojot šādu saiti: qr.hilti.com/manual?id=2276609&id=2276671

Šī saite kvadrātforma veidā ir iekļauta arī dokumentācijas beigās.

Originali naudojimo instrukcija

1 Informācija apie naudojimo instrukciją

1.1 Apie šią naudojimo instrukciją

- **Įspėjimas!** Prieš pradėdami naudoti prietaisą įsitikinkite, kad perskaitėte ir supratote prie prietaiso pridėdamą naudojimo instrukciją, įskaitant instrukcijas, saugos ir įspėjamuosius nurodymus, paveikslėlius ir specifikacijas. Svarbiausia susipažinkite su visomis instrukcijomis, saugos ir įspėjamaisiais nurodymais, paveikslėliais, specifikacijomis be sudėtinėmis dalimis ir funkcijomis. Nesilaikant šio reikalavimo, kyla elektros smūgio, gaisro ir (arba) sunkių sužalojimų pavojus. Vėlesniam naudojimui išsaugokite naudojimo instrukciją, įskaitant visas instrukcijas, saugos ir įspėjamuosius nurodymus.
- **HILTI** prietaisai yra skirti profesionalams, todėl juos naudoti, atlikti jų techninės priežiūros ir remonto darbus leidžiama tik įgaliotam, instruktuojamam personalui. Šis personalas turi būti supažindintas su visais galimais pavojais. Neinstruktuojo personalo netinkamai arba ne pagal paskirtį naudojamas prietaisas ir jo priedai gali kelti pavojų.
- Pridėdama naudojimo instrukcija atitinka naujausią technikos lygį spausdinimo momentu. Naujausią versiją visada rasite internetu „Hilti“ prietaisų puslapyje. Sekite nuorodą arba QR kodą šioje naudojimo instrukcijoje, pažymėtą simboliu .
- Kitiems asmenims prietaisą perduokite tik kartu su šia naudojimo instrukcija.

1.2 Ženklų paaiškinimas

1.2.1 Įspėjamieji nurodymai

Įspėjamieji nurodymai įspėja apie pavojus, gresiančius eksploatuojant prietaisą. Naudojami šie signaliniai žodžiai:



PAVOJUS

PAVOJUS !

- Šis žodis vartojamas norint įspėti apie tiesiogiai gresiantį pavojų, kurio pasekmės yra sunkūs kūno sužalojimai arba žūtis.

ĮSPĖJIMAS

ĮSPĖJIMAS !

- Šis žodis vartojamas norint įspėti apie galimai gresiantį pavojų, kurio pasekmės gali būti sunkūs kūno sužalojimai arba žūtis.

ATSARGIAI

ATSARGIAI !

- Šis žodis vartojamas potencialiai pavojingai situacijai žymėti, kai yra kūno sužalojimo arba materialinių nuostolių grėsmė.

1.2.2 Naudojimo instrukcijoje naudojami simboliai

Šioje naudojimo instrukcijoje naudojami tokie simboliai:

	Laikykites naudojimo instrukcijos
	Naudojimo nurodymai ir kita naudinga informacija
	Rodo, kad juo paženklintą medžiaga galima perdirbti
	Elektrinių prietaisų ir akumuliatorių nemesti į buitines atliekas
	Hilti Ličio jonų akumuliatorius
	Hilti Kroviklis

1.2.3 Iliustracijose naudojami simboliai

Iliustracijose naudojami šie simboliai:

	Šie skaitmenys nurodo atitinkamą iliustraciją šios naudojimo instrukcijos pradžioje.
3	Numeravimas nurodo darbinių veiksmų eiliškumą paveikslėlyje ir gali skirtis nuo tekste pateikto darbinių veiksmų numeravimo.
	Pozicijų numeriai naudojami paveikslėlyje Apžvalga – jie nurodo skyrelyje Prietaiso vaizdas esančių paaiškinimų numerius.
	Šiuo ženklu siekiama atkreipti ypatingą dėmesį į naudojamą šiuo prietaisu.

1.3 Specifiniai prietaiso simboliai

1.3.1 Bendrieji simboliai

Simboliai, kurie naudojami kartu su prietaisu.

n_0	Nominalusis tuščiosios eigos sukimosi greitis
	Nuolatinė srovė
	Sukimosi krypties rodyklė
RPM	Apsisukimai per minutę
\emptyset	Skersmuo
	Pjovimo diskas



	Prietaisas palaiko belaidį duomenų perdavimą, suderinamą su „iOS“ ir „Android“ platformomis.
	Jei ant prietaiso yra, ši sertifikavimo įstaiga sertifikavo prietaisą JAV ir Kanados rinkoms pagal galiojančius standartus.
Li-Ion	Ličio jonų akumuliatorius
	Niekada nenaudokite akumuliatoriaus kaip smūginio įrankio.
	Saugokite, kad akumuliatorius nenukristų. Nenaudokite akumuliatoriaus, kuris buvo sutrenktas arba kaip nors kitaip pažeistas.

1.3.2 Įpareigojamieji ženklai

Ant prietaiso naudojami tokie įpareigojamieji ženklai:

	Dirbant užsidėti apsauginius akinius
--	--------------------------------------

2 Sauga

2.1 Bendrieji saugos nurodymai dirbantiems su elektriniais įrankiais

⚠️ ISPĖJIMAS Perskaitykite visus ant šio elektrinio įrankio esančius saugos nurodymus, instrukcijas, paveikslėlius ir techninius duomenis. Šių nurodymų nesilaikymas gali tapti elektros smūgio, gaisro ir / arba sunkių sužalojimų priežastimi.

Išsaugokite visus saugos nurodymus ir instrukcijas, kad galėtumėte į juos pažvelgti ateityje.

Saugos nurodymuose vartojama sąvoka „elektrinis įrankis“ apibrėžiami iš elektros tinklo maitinami elektriniai įrankiai (turintys maitinimo kabelį) ir iš akumuliatoriaus maitinami elektriniai įrankiai (be maitinimo kabelio).

Sauga darbo vietoje

- ▶ **Pasirūpinkite, kad darbo vieta visada būtų švari ir gerai apšviesta.** Netvarkinga ar blogai apšviesta darbo vieta gali tapti nelaimingų atsitikimų priežastimi.
- ▶ **Nenaudokite elektrinio įrankio sprogioje aplinkoje, kurioje yra degių skysčių, dujų arba dulkių.** Veikiantys elektriniai įrankiai kibirkščiuoja, ir kibirkštys gali uždegti dulkes arba susikaupusius garus.
- ▶ **Dirbdami su elektriniu įrankiu, neleiskite darbo zonoje būti vaikams ir pašaliniam asmeniui.** Atitraukę dėmesį nuo darbo, galite nebesuvaldyti prietaiso.

Apsauga nuo elektros

- ▶ **Prietaiso maitinimo kabelio kištukas turi atitikti elektros lizdo tipą.** Kištuko jokių būdu negalima keisti. Nenaudokite tarpinių kištukų kartu su elektriniais įrankiais, turinčiais apsauginį įžeminimą. Nepakeisti kištukai ir tinkami elektros lizdai mažina elektros smūgio riziką.
- ▶ **Venkite kūno kontakto su įžemintais paviršiais, pvz., vamzdžiais, šildytuvais, viryklėmis ir šaldytuvais.** Kai žmogaus kūnas yra įžemintas, padidėja elektros smūgio tikimybė.
- ▶ **Elektrinius įrankius saugokite nuo lietaus ir drėgmės.** Į elektrinį įrankį patekus vandens, padidėja elektros smūgio rizika.
- ▶ **Nenaudokite elektros maitinimo kabelio ne pagal paskirtį, t. y. neneškite elektrinio įrankio paėmę už kabelio, nekabininkite jo ant kabelio, netraukite už kabelio, neturėdami ištraukti kištuką iš elektros lizdo.** Elektros maitinimo kabelį saugokite nuo karščio, alyvos, aštrių briaunų ar judančių dalių. Pažeisti arba susipynę elektros maitinimo kabeliai didina elektros smūgio riziką.
- ▶ **Jei su elektriniu įrankiu dirbate lauke, naudokite tik tokius ilginimo kabelius, kurie tinka ir lauko darbams.** Naudojant lauko darbams tinkančius ilginimo kabelius, mažėja elektros smūgio rizika.
- ▶ **Jeigu elektrinio įrankio naudojimo drėgnoje aplinkoje negalima išvengti, į elektros tinklą jįjunkite per apsauginę nuotėkio relę.** Apsauginė nuotėkio relė mažina elektros smūgio riziką.

Žmonių sauga

- ▶ **Dirbdami su elektriniu įrankiu, būkite atidūs, sutelkite dėmesį į darbą ir vadovaukitės sveika nuovoka.** Elektrinio įrankio nenaudokite, jeigu esate pavargę arba apsaigę nuo narkotinių medžiagų, alkoholio ar vaistų. Neatidumo akimirka dirbant su elektriniu įrankiu gali tapti rimtų sužalojimų priežastimi.
- ▶ **Naudokite asmenines apsaugos priemones ir visuomet užsidėkite apsauginius akinius.** Naudojant asmenines apsaugos priemones, pvz., respiratorių, neslystančius apsauginius batus, apsauginį šalną, ausines ir kt., priklausomai nuo elektrinio įrankio tipo ir naudojimo, mažėja rizika susižaloti.



- ▶ **Saugokitės, kad neįjungtumėte prietaiso atsitiktinai. Prieš prijungdami prie elektros maitinimo tinklo, įdėdami akumuliatorių, imdami į rankas ar nešdami, įsitikinkite, kad elektrinis įrankis yra išjungtas.** Jeigu nešdami elektrinį įrankį pirštą laikysite ant jungiklio arba įrankį įjungsitė į elektros tinklą tuomet, kai jungiklis nėra išjungtas, gali įvykti nelaimingas atsitikimas.
- ▶ **Prieš įjungdami elektrinį įrankį, pašalinkite iš jo reguliavimo įrankius ar veržlinius raktus.** Besisukančioje prietaiso dalyje esantis įrankis ar paliktas raktas gali tapti sužalojimų priežastimi.
- ▶ **Venkite nepatogių kūno padėčių. Dirbdami stovėkite tvirtai ir visada išlaikykite kūno pusiausvyrą.** Taip galėsite geriau kontroliuoti elektrinį įrankį netikėtose situacijose.
- ▶ **Vilkėkite tinkamą aprangą. Nevilkėkite plačių drabužių, nesidėkite papuošalų.** Saugokite plaukus, drabužius ir pirštines nuo besisukančių prietaiso dalių. Laisvus drabužius, papuošalus ir ilgus plaukus gali įtraukti besisukančios prietaiso dalys.
- ▶ **Jei yra numatyta galimybė prijungti dulkių nusiurbimo ar surinkimo įrenginius, visada įsitikinkite, kad jie yra prijungti ir tinkamai naudojami.** Naudojant dulkių nusiurbimo įrenginį, gali sumažėti dulkių keliami grėsmė.
- ▶ **Neturėkite iliuzijų, kad visada esate saugūs, ir, skaitydami naudojimo instrukcijas, nepraleiskite skyrelių apie saugų darbą su elektriniais įrankiais, net jeigu per ilgus naudojimo metus esate su savo elektriniu įrankiu susipažinę.** Neatsargus veiksmas per sekundės dalį gali tapti sunkių sužalojimų priežastimi.

Elektrinio įrankio naudojimas ir elgesys su juo

- ▶ **Prietaiso neperkraukite. Naudokite Jūsų darbui tinkamą elektrinį įrankį.** Su tinkamu elektriniu įrankiu dirbsite geriau ir saugiau, jei neviršysite nurodytos galios.
- ▶ **Nenaudokite elektrinio įrankio su sugedusiu jungikliu.** Elektrinis įrankis, kurio nebegalima įjungti ar išjungti, yra pavojingas ir jį reikia remontuoti.
- ▶ **Prieš prietaisą nustatydami, keisdami reikmenis ar tiesiog padėdami į šalį, visuomet ištraukite maitinimo kabelio kištuką iš elektros lizdo ir / arba iš prietaiso išimkite akumuliatorių.** Ši atsargumo priemonė leis išvengti netikėto elektrinio įrankio įsijungimo.
- ▶ **Nenaudojamus elektrinius įrankius saugokite vaikams nepasiekiamoje vietoje. Neleiskite prietaisu naudotis asmenims, kurie nėra su juo susipažinę arba nėra perskaitę šios instrukcijos.** Elektriniai įrankiai yra pavojingi, kai juos naudoja patirties neturintys asmenys.
- ▶ **Elektrinius įrankius ir reikmenis rūpestingai prižiūrėkite. Tikrinkite, ar judančios elektrinio įrankio dalys tinkamai funkcionuoja ir niekur nekliūva, ar nėra sulūžusių ir pažeistų dalių, kurios blogintų įrankio veikimą. Prieš naudojimą pažeistos prietaiso dalys turi būti suremontuotos.** Blogai prižiūrimi elektriniai įrankiai yra daugelio nelaimingų atsitikimų priežastis.
- ▶ **Pjovimo įrankiai visuomet turi būti aštrūs ir švarūs.** Rūpestingai prižiūrėti pjovimo įrankiai su aštriomis pjovimo briaunomis mažiau stringa ir yra lengviau valdomi.
- ▶ **Elektrinį įrankį, reikmenis, keičiamuosius įrankius ir t. t. naudokite pagal šias instrukcijas. Taip pat atsižvelkite į darbo sąlygas ir atliekamo darbo pobūdį.** Elektrinius įrankius naudojant ne pagal paskirtį, gali kilti pavojingos situacijos.
- ▶ **Prižiūrėkite rankenas, kad jos ir jų laikymo paviršiai visada būtų sausi, švarūs ir neriebaluoti.** Slidžios rankenos ir jų laikymo paviršiai negali užtikrinti elektrinio įrankio saugaus naudojimo ir valdymo kontrolės nenumatytoje situacijoje.

Akumulatorinio įrankio naudojimas ir elgesys su juo

- ▶ **Akumulatoriams įkrauti naudokite tik tuos kroviklius, kuriuos rekomenduoja gamintojas.** Kroviklį, tinkantį tik nurodytiems akumuliatorių tipams, naudojant kitiems akumulatoriams įkrauti, kyla gaisro pavojus.
- ▶ **Elektriniuose įrankiuose naudokite tik konkrečiai jiems skirtus akumulatorius.** Naudojant kitokius akumulatorius, kyla pavojus susižaloti ir sukelti gaisrą.
- ▶ **Nenaudojamo akumulatoriaus nelaikykite šalia sąvaržėlių, monetų, raktų, vinių, varžtų ar kitokių smulkių metalinių daiktų, kurie galėtų trumpai sujungti akumulatoriaus kontaktus.** Trumpai sujungus akumulatoriaus kontaktus, yra pavojus nusidėginti ar sukelti gaisrą.
- ▶ **Netinkamai naudojant akumuliatorių, iš jo gali ištekti skystis. Venkite kontakto su šiuo skystičiu. Jei skystis atsitiktinai pateko ant odos, nuplaukite ją vandeniu, jei pateko į akis - gerai praplaukite jas vandeniu ir nedelsdami kreipkitės į gydytoją.** Akumulatoriaus skystis gali sudirginti arba chemiškai nudeginti odą.
- ▶ **Nenaudokite pažeisto arba perdirbto akumulatoriaus.** Pažeisti arba perdirbti akumulatoriai gali funkcionuoti nenumatytai, todėl gali kelti gaisro, sprogo ar sužalojimų pavojų.
- ▶ **Akumuliatorių saugokite nuo ugnies ir per aukštos temperatūros.** Ugnies arba didesnės kaip 130 °C (265 °F) temperatūros veikiamas akumulatorius gali sprogti.



- ▶ **Laikykites visų įkrovimo instrukcijų ir akumuliatorių arba akumulatorinį įrankį visada įkraukite tik eksploataavimo instrukcijoje nurodytame temperatūrų diapazone.** Netinkamas įkrovimas arba įkrovimas už leistino temperatūrų diapazono ribų gali sugadinti akumuliatorių ir padidinti gaisro pavojų.

Techninė priežiūra

- ▶ **Savo elektrinį įrankį patikėkite remontuoti tik kvalifikuotam specialistui, tam jis turi naudoti tik originalias atsargines dalis.** Taip galima užtikrinti, kad bus išlaikytas prietaiso naudojimo saugumas.
- ▶ **Niekada nevykdyskite pažeistų akumuliatorių techninės priežiūros.** Bet kokią akumuliatorių techninę priežiūrą leidžiama vykdyti tik gamintojui arba įgaliotoms klientų aptarnavimo įmonėms.

2.2 Saugos nurodymai dirbantiems visais pjūklais

Pjovimo procesas

- ▶ **⚠ PAVOJUS:** Nekiškite rankų į pjovimo zoną ir prie pjovimo įrankio. Antrąją ranką laikykite papildomą rankeną arba variklio korpusą. Kai pjūklą laiko abi rankos, pjovimo diskas jų sužaloti negali.
- ▶ **Nekiškite rankų po pjaunamu roošiniu.** Kadangi po ruošiniu nėra apsauginio gaubto, todėl jis negali Jūsų apsaugoti nuo pjovimo disko.
- ▶ **Pjovimo gylį parinkite pagal ruošinio storį.** Po ruošiniu turi matytis ne visas danties aukštis.
- ▶ **Pjaunamo ruošinio niekada nelaikykite rankoje arba ant kojų. Ruošinį stabiliai užfiksuokite.** Labai svarbu ruošinį gerai pritvirtinti, kad pavojus pjūklui prisiliesti prie kūno, užstrigti pjovimo diskui arba prietaisui tapti nebevaldomu būtų kuo mažesnis.
- ▶ **Kai vykdote darbus, kurių metu keičiamasis įrankis gali paliesti paslėptus elektros laidus, laikykite elektrinį įrankį tik už izoliuotų rankenų paviršių.** Palletus laidus, kuriais teka srovė, įtampa atsiranda ir metalinėse elektrinio įrankio dalyse, todėl kyla elektros smūgio pavojus.
- ▶ **Vykdydami išilginio pjovimo darbus, visada naudokite atramą arba tiesią briaunos kreipiančiąją.** Ji didina pjūvio tikslumą ir mažina pjovimo disko įstrigimo tikimybę.
- ▶ **Visada naudokite tinkamo dydžio pjovimo diskus su prietaiso griebtuvą atitinkančia tvirtinimo anga (pvz., žvaigždės formos arba apvalia).** Pjūklo montavimo elementų neatitinkantys pjovimo diskai sukasi netolygiai, todėl prietaisas gali tapti nebevaldomas.
- ▶ **Niekada nenaudokite pažeistų arba netinkamų pjovimo disko tarpiklių arba varžtų.** Pjovimo disko žiediniai tarpikliai ir varžtai yra specialiai pritaikyti Jūsų pjūklui, todėl užtikrina optimalų jo našumą ir eksploataavimo saugumą.

Atatranka – priežastys ir atitinkami saugos nurodymai

- Atatranka yra staigi elektrinio įrankio reakcija į pjovimo disko užsikabinimą ar įstrigimą, sukeltą galbūt ir netinkamos disko orientacijos, kurios metu nekontroliuojamas pjūklas pakyla iš ruošinio ir pradeda judėti dirbančio asmens link;
- jei pjovimo diskas užsikabina ar užstringa susispaudžiančiame pjovimo plyšyje, jis užsiblokuoja, ir tada variklio jėga sviedžia pjūklą juo dirbančio asmens link;
- jei pjovimo diskas pjovimo plyšyje deformuojamas arba netinkamai nukreipiamas, galinės pjovimo disko briaunos dantys gali kabinti ruošinio paviršių, dėl to pjovimo diskas gali iššokti iš pjovimo plyšio ir visas pjūklas gali pajudėti juo dirbančio asmens link.

Atatranka yra pjūklo netinkamo arba netiklaus naudojimo pasekmė. Jos galima išvengti naudojant tinkamas, toliau aprašomas atsargumo priemones.

- ▶ **Pjūklą tvirtai laikykite paėmę abiem rankomis, jas laikydami tokioje padėtyje, kad galėtumėte pasipriešinti atatrankos jėgoms. Visada būkite pjovimo disko šone, dirbant Jūsų kūnas neturi būti už besisukančio pjovimo disko ir jo sukimosi plokštumoje.** Veikiant atatrankos jėgai, diskinis pjūklas gali staiga pajudėti atgal, tačiau naudotojas, imdamasis tinkamų atsargumo priemonių, gali šią jėgą suvaldyti.
- ▶ **Jei pjovimo diskas stringa arba Jūs nutraukiate darbą, išjunkite pjūklą ir ramiai palaikykite ruošinyje, kol diskas visiškai sustos. Niekada nebandykite išimti pjūklą iš ruošinio arba traukti jį atgal, kol pjovimo diskas dar sukasi, – gali kilti atatranka.** Nustatykite ir pašalinkite pjovimo disko strigimo priežastį.
- ▶ **Jei ruošinyje esantį pjūklą norite įjungti iš naujo, nustatykite pjovimo diską pjovimo plyšio centre ir patikrinkite, ar pjūklo dantys neįstrigę ruošinyje.** Jei pjūklo diskas stringa, pakartotinai įjungus, jis gali išslysti iš ruošinio arba dėl jo gali atsirasti atatrankos jėga.
- ▶ **Didelės plokštės atremkite, kad, pjovimo diskui įstrigus, sumažėtų atatrankos tikimybė.** Didelės plokštės gali sulinkti dėl savo svorio. Plokštės reikia atremti abiejose pusėse – prie pjovimo plyšio ir kraštuose.
- ▶ **Nenaudokite atšipusių arba pažeistų pjovimo diskų.** Dėl pjovimo diskų, kurių dantys atšipę arba netinkami, sumažėja pjovimo plyšys ir padidėja trintis, pjovimo diskas gali pradėti strigti ir atsiranda atatrankos jėga.



- ▶ **Prieš pradėdami pjauti, priveržkite pjovimo gylio ir pjovimo kampo nustatymo rankenėles.** Jei pjaunant nustatymai pasikeičia, pjovimo diskas gali įstrigti ir dėl to gali kilti atitranka.
- ▶ **Ypač atsargiai pjaukite angas sienose ar kitose mažai žinomose vietose.** Iš viršaus įpjaunamas pjovimo diskas gali paliesti paslėptus objektus, užsiblokuoti ir sukelti atitranką.

Apsauginio gaubto veikimas

- ▶ **Prieš kiekvieną naudojimą patikrinkite, ar sklandžiai užsidaro apsauginis gaubtas. Nenaudokite pjūklo, jei apsauginis gaubtas yra nepaslankus ir neužsidaro iškart. Apsauginio gaubto niekada neužfiksuokite (nepriirškite, neužspauskite) atidarytoje padėtyje; tokiu atveju pjovimo diskas nebūtų apsaugotas.** Jei pjūklas netyčia nukristų ant žemės, apsauginis gaubtas gali deformuotis. Įsitikinkite, kad apsauginis gaubtas juda laisvai ir neličia nei pjovimo disko, nei kitų elementų esant bet kokiam pjovimo kampui ir pjovimo gyliui.
- ▶ **Patikrinkite apsauginio gaubto spyruoklių būklę ir veikimą. Jei apsauginis gaubtas ir jo spyruoklės veikia nesklaidžiai, prieš naudodami pjūklą atlikite techninės priežiūros darbus.** Pažeistos dalys, kibios apnašos ar drožlių sankaupos lėtina apsauginio gaubto užsidarymą.
- ▶ **Atlikdami įgilinamąjį pjūvį ne stačiu kampu, apsaugokite pjūklo pagrindo plokštę nuo šoninio pasislinkimo.** Pasislinkęs į šoną, pjovimo diskas gali strigti ir sukelti atitranką.
- ▶ **Nedėkite pjūklo ant darbastalio arba žemės, jei apsauginis gaubtas neuždengia pjovimo disko.** Dėl neapsaugoto, besisukančio pjovimo disko pjūklas juda priešinga pjovimo kryptčiai kryptimi ir gali prapjauti šalia esančius daiktus. Atkreipkite dėmesį į pjūklo stojimo trukmę.

2.3 Papildomi saugos nurodymai

Žmonių sauga

- ▶ Elektrinį prietaisą arba priedus draudžiama keisti ar kitaip jais manipuliuoti.
- ▶ Elektrinį prietaisą naudokite tik su jo apsauginiais įtaisais.
- ▶ Jei elektrinį prietaisą naudojate be dulkių nusiurbimo įrenginio, dirbdami dulkes keliančius darbus užsidėkite lengvą respiratorių.
- ▶ Elektrinį prietaisą visada laikykite tvirtai, abiem rankomis paėmę už rankenų.
- ▶ Dirbdami užsidėkite ausines. Triukšmas gali pakenkti klausai.
- ▶ Dirbdami darykite pertraukas ir atpalaidavimo pratimus pirštams, kad pagerėtų kraujotaka.
- ▶ Elektrinis prietaisas nėra skirtas naudoti fiziškai silpniems neinstrukuotiems asmenims.
- ▶ Elektrinį prietaisą įjunkite tik darbo vietoje ir tik tada, kai jį nustatėte į darbinę padėtį.
- ▶ Išimkite akumuliatorių, jei kilo problemų su elektriniu prietaisu, jei keičiate keičiamuosius įrankius arba priedus, kai sandėliuojate ir transportuojate elektrinį prietaisą.
- ▶ Nedirbkite elektrinį prietaisą pakėlę virš galvos.
- ▶ Nestabdykite elektrinio prietaiso, iš šono spausdami pjovimo diską.
- ▶ Prieš įstatydami akumuliatorių įsitikinkite, kad pjūklas yra išjungtas, o įjungimo blokatorius yra užfiksuotas. Taip išvengsite sužalojimų dėl atsitiktinio elektrinio prietaiso paleidimo.
- ▶ Kai elektrinis prietaisas veikia, neliaskite fiksavimo jungės ir fiksavimo varžto.
- ▶ Prieš padėdami elektrinį prietaisą palaukite, kol pjovimo diskas visiškai sustos.
- ▶ Prieš keisdami keičiamąjį įrankį palaukite, kol elektrinis prietaisas atvės.
- ▶ Niekada nejunkite suklio blokavimo, jei pjovimo diskas sukasi.
- ▶ Nenukreipkite elektrinio prietaiso į kitus asmenis.
- ▶ Įjungimo blokatorius turi būti visada užfiksuotas, kai keičiate priedus arba akumuliatorius, kai transportuojate arba norite sandėliuoti elektrinį prietaisą.
- ▶ Visada naudokite medžiagai ir ruošinio savybėms tinkantį pjovimo diską.
- ▶ Ant šio elektrinio prietaiso niekada nemontuokite šlifavimo diskų.
- ▶ Ruošinio link stumkite tik įjungtą rankinį elektrinį prietaisą.
- ▶ Pastūmos jėgą pasirinkite pagal naudojamą pjovimo diską ir apdirbamąją medžiagą. Tokiu būdu išvengsite, kad pjovimo diskas nebūtų blokuojamas ir neatsirastų atitrankos jėga.
- ▶ Saugokite, kad neperkaistų pjovimo disko dantų viršūnės.
- ▶ Keičiamojo įrankio leistinas sukimosi greitis turi būti bent jau ne mažesnis už ant elektrinio prietaiso nurodytą didžiausią sukimosi greitį. Priedas, kuris sukasi greičiau nei leistina, gali trūkti ir pasklisti į šalis.
- ▶ Nedirbkite aplinkoje, kurioje yra daug dulkių.



- ▶ Šlifuojant, pjaustant ir gręžiant kylančiose dulkėse gali būti pavojingų cheminių medžiagų. Štai keli pavyzdžiai: švinas ar dažai švino pagrindu, plytos, betonas ir kiti mūro gaminiai, natūralus akmuo ir kiti silikaktiniai gaminiai; tam tikra mediena, ažuolas, bukas ir chemiškai apdorota mediena, asbestas arba medžiagos, kurių sudėtyje yra asbesto. Naudodamiesi medžiagų, su kuriomis dirbama, pavojingumo klase, nustatykite poveikį dirbančiajam ir aplink esantiems asmenims. Imkitės būtinų priemonių, užtikrinančių, kad poveikis liktų saugiam lygmenyje, pvz., naudokite dulkių surinkimo sistemą arba dėvėkite tinkamas kvėpavimo apsaugos priemones. Prie bendrųjų priemonių, skirtų poveikiui sumažinti, priskiriama:
 - ▶ darbas gerai vėdinamoje srityje,
 - ▶ ilgesnio kontakto su dulkelimis vengimas,
 - ▶ dulkių nuvedimas nuo veido ir kūno,
 - ▶ apsauginių drabužių dėvėjimas ir užterštų vietų nuplovimas vandeniu ir muilu.
- ▶ Jūs ir visi kiti asmenys darbo zonoje visada naudokite respiratorių, kuris atitinka naudojimo reikalavimus.
- ▶ Naudodami elektrinį įrankį jūs ir visi kiti asmenys darbo zonoje metu turite užsidėti apsauginius akinus, apsauginį šalną, ausines, mūvėti apsaugines pirštines ir avėti apsauginę avalynę.
- ▶ Prieš pradėdami dirbti nustatykite darbo metu kiliančių dulkių kenksmingumo klasę. Naudokite licencijuotą statybinį dulkių siurbį, atitinkantį apsaugos klasę pagal vietoje galiojančias apsaugos nuo dulkių normas.
- ▶ Laikykitės nacionalinių darbų saugos reglamentų.
- ▶ Ruošiniui įtvirtinti ir stabiliai jo padėčiai išlaikyti naudokite tvirtinimo įtaisus arba kokias nors kitokias praktikoje naudojamas priemones. Ranka ar kokia nors kita kūno dalimi laikomas ruošinys nėra stabilus, dėl to yra rizika prarasti prietaiso valdymo kontrolę. Neleiskite tretiesiems asmenims laikyti ruošinio padėtyje.
- ▶ Nepajaukite nežinomų paviršių ir pasirūpinkite, kad po ir virš pjaunamo paviršiaus nebūtų kliūčių. Atsitrenkęs į koją nors daiktą, elektrinis įrankis gali sukelti atitrąką.
- ▶ Sužalojimo pavojus dėl žemyn krentančių įrankių ir / arba reikmenų. Prieš pradėdami dirbti tikrinkite, kad sumontuotas priedas būtų patikimai pritvirtintas.
- ▶ Pjovimo metu naudodami dulkių gaudymo įtaisą venkite liesti nuo apsauginį gaubtą nuo dulkių arba siurbimo žarną. Jei pjaunant medžiagas susidaro daug dulkių, gali kilti didesnis elektrostatinio smūgio pavojus.
- ▶ Įsitikinkite, kad pjūvio linijoje nėra kliūčių, pvz., vinių, varžtų arba kitų metalinių dalių.
- ▶ Naudokite tik **Hilti** rekomenduojamus pjovimo diskus, atitinkančius standartą EN 847-1.
- ▶ Pjaudami plastiką atkreipkite dėmesį, kad ruošinys per daug neįkaistų ir nesilydytų.

Apsauga nuo elektros

- ▶ Prieš pradėdami dirbti, patikrinkite (pvz., naudodami detektoriu), ar darbo zonoje nėra paslėptų elektros laidų, dujų ir vandentiekio vamzdžių. Netyčia pažeidus, pvz., elektros kabelį, išorinėse metalinėse elektrinio prietaiso dalyse taip pat gali atsirasti įtampa. Dėl to kyla didesnis elektros smūgio pavojus.

2.4 Su akumulatoriais elgtis atsargiai

- ▶ **Laikykitės žemiau pateiktų saugaus naudojimo ir darbo su ličio jonų akumulatoriais saugos nuorodu.** Nesilaikant šių nurodymų, galimas odos sudirginimas, sunkūs sužalojimai dėl esdinančio poveikio, cheminiai nudegimai, gaisro ir / arba sprogo pavojus.
- ▶ Akumulatorius naudokite tik nepriekaištingos techninės būklės.
- ▶ Kad išvengtumėte akumulatoriaus pažeidimų ir sveikatai labai kenksmingų skysčių ištekėjimo, su akumulatoriumi elkitės labai atsargiai!
- ▶ Akumulatorius draudžiama modifikuoti ar kaip nors kitaip jais manipuliuoti!
- ▶ Akumulatorius draudžiama ardyti, spausti, kaitinti iki aukštesnės kaip 80 °C (176 °F) temperatūros arba deginti.
- ▶ Nenaudokite ir neįkraukite akumuliatorių, kurie buvo sutrenkti arba kaip nors kitaip pažeisti. Reguliariai tikrinkite, ar nėra akumulatoriaus pažeidimo požymių.
- ▶ Niekada nenaudokite utilizuotų arba remontuotų akumuliatorių.
- ▶ Akumulatoriaus arba akumulatorinio elektrinio įrankio niekada nenaudokite vietoje plaktuko.
- ▶ Saugokite akumulatorius nuo tiesioginių saulės spindulių, aukštesnės temperatūros, kibirkščių ir atviros ugnies. Tai gali sukelti sprogo pavojų.
- ▶ Baterijos polių nelieskite pirštais, įrankiais, papuošalais ar kitokiais elektrai laidžiais daiktais. Tai gali pažeisti akumuliatorių, taip pat padaryti materialinių nuostolių ir sužaloti.
- ▶ Saugokite akumulatorius nuo lietaus, drėgmės bei skysčių. Įsiskverbusi drėgmė gali sukelti trumpąjį jungimą, elektros smūgį, nudegimą, gaisrą ir sprogo pavojų.



- ▶ Naudokite tik šio tipo akumulatoriams skirtus kroviklius ir elektrinius įrankius. Laikykitės atitinkamoje naudojimo instrukcijoje pateiktų duomenų.
- ▶ Nenaudokite ir nelaikykite akumulatoriaus sprogioje aplinkoje.
- ▶ Jeigu į rankas paimtas akumulatorius atrodo karštas, jis gali būti sugedęs. Padėkite akumulatorių matomoje, nedegioje vietos pakankamu atstumu nuo degių medžiagų. Leiskite akumulatoriui atvėsti. Jei akumulatorius po valandos vis dar yra per karštas paimti į rankas, jis yra sugedęs. Kreipkitės į **Hilti** techninės priežiūros centrą, arba perskaitykite šį dokumentą „**Hilti** ličio jonų akumuliatorių saugos ir naudojimo nurodymai“.

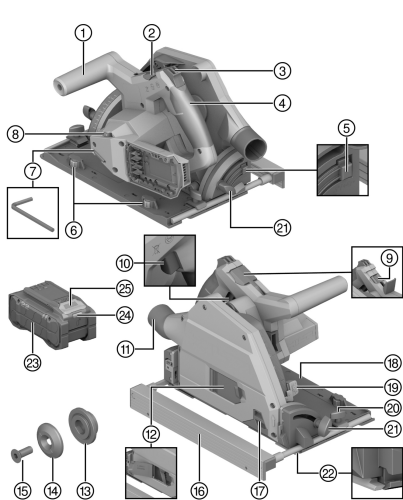


Laikykitės specialiųjų direktyvų, galiojančių ličio jonų akumuliatorių transportavimui, sandėliavimui ir naudojimui. 151

Perskaitykite **Hilti** ličio jonų akumuliatorių saugos ir naudojimo nurodymus, kuriuos rasite nuskaitydami QR kodą, esantį šios naudojimo instrukcijos gale.

3 Aprašymas

3.1 Prietaiso vaizdas



- ① Papildoma rankena
- ② Pjovimo disko keitimo fiksavimo svirtelė
- ③ Įjungimo blokatorius
- ④ Pagrindinė rankena
- ⑤ Pjovimo kampo -1° ir 47° atblokavimo mygtukas
- ⑥ Tarpo išlyginimo nustatymo ratukas (tarpas tarp kreipiamosios liniuotės ir kreipiamąjo griovelio pagrindo plokštėje)
- ⑦ Šešiabriaunis raktas
- ⑧ Pjovimo disko sukimosi greičio nustatymo ratukas
- ⑨ Veleno blokavimo mygtukas
- ⑩ Jungiklis
- ⑪ Pjuvenų šalinimo anga / prijungimo atvamzdis
- ⑫ Montavimo dangtelis, skirtas pjovimo disko keitimui
- ⑬ Tvirtinimo jungė
- ⑭ Fiksavimo jungė
- ⑮ Fiksavimo varžtas
- ⑯ Lygiagrečioji atrama
- ⑰ Stumdomas apsauginis langelis nuo dulkių
- ⑱ Pagrindo plokštė
- ⑲ Pjovimo gylis nustatymo įtaisas
- ⑳ Lygiagrečiosios atramos užspaudimo varžtas
- ㉑ Pjovimo kampo nustatymo įtaiso užspaudimo varžtas
- ㉒ Adaptivusis pjovimo indikatorius
- ㉓ Akumulatorius
- ㉔ Akumulatoriaus būsenos rodmuo
- ㉕ Akumulatoriaus atblokavimo mygtukas

3.2 Naudojimas pagal paskirtį

Aprašytasis prietaisas yra akumulatorinis įleidžiamasis diskinis pjūklas. Jis skirtas tik šioms medžiagoms pjauti ir įleidžiamiesiems pjūviams atlikti:

- Medienai ir į medieną panašioms medžiagoms
- Plastikams
- Gipso kartono plokštėms



- Pluoštinėms cemento plokštėms
- Spalvotiesiems metalams

Prietaisai skirtas staliaus darbams ir vidaus apdailos darbams atlikti.

Rankinis diskinis pjūklas turi papildomai užsakomo dulkių gaudymo įtaiso prijungimo atvamzdį, tinkantį plačiai naudojamiems siurblių žarnoms prijungti. Dulkių gaudymo įtaiso žarnai sujungti su pjūklų gali tekti naudoti tinkamą adapterį.

Naudokite tik prietaisui leistus naudoti pjovimo diskus, kurie tenkina techninių duomenų skyriuje pateiktus duomenis (pvz., skersmenį, sukimosi greitį, storį, medžiagą ir t. t.). Neleidžiama naudoti šlifavimo ir pjovimo diskų iš stipriai legiruoto greitapjovio plieno (HSS).

Pjaukite tik lygius ruošinius, kurie turi pakankamai didelį atraminį paviršių pagrindo plokštei.

- Su šiuo prietaisu naudokite tik B 22 serijos **Hilti** ličio jonų akumulatorius. **Hilti** rekomenduoja šiam prietaisui naudoti šios naudojimo instrukcijos gale esančioje lentelėje nurodytus akumulatorius.
- Šiems akumulatoriams naudokite tik šios naudojimo instrukcijos gale išvardytų tipų **Hilti** kroviklius.

3.3 Tiekiamas komplektas

Akumulatorinis diskinis pjūklas, pjovimo diskas, naudojimo instrukcija



Daugiau Jūsų turimam prietaisui skirtų sisteminių priedų rasite vietinėje **Hilti Store** arba tinklalapyje www.hilti.group

3.4 Ličio jonų akumulatoriaus rodmenys

Hilti Nuron ličio jonų akumulatoriai gali parodyti įkrovos būklę, pranešimus apie klaidą ir akumulatoriaus būklę.

3.4.1 Įkrovos būklės ir pranešimų apie klaidas rodmenys



ISPĖJIMAS

Sužalojimo pavojus krentančiu akumulatoriumi!

- ▶ Kai akumulatorius įstatytas, spausdami atblokavimo mygtuką įsitikinkite, kad vėl tinkamai užfiksavote akumulatorių naudojamame prietaise.

Kad gautumėte vieną iš šių rodmenų, spustelėkite akumulatoriaus atblokavimo mygtuką.

Įkrovos būklė bei galimos triktys rodomos nuolat, kol prijungtas prietaisas yra įjungtas.

Būsena	Reikšmė
Keturi (4) šviesos diodai nuolat šviečia žaliai	Įkrovos lygis: nuo 100 iki 71 %
Trys (3) šviesos diodai nuolat šviečia žaliai	Įkrovos lygis: nuo 70 iki 51 %
Du (2) šviesos diodai nuolat šviečia žaliai	Įkrovos lygis: nuo 50 iki 26 %
Vienas (1) šviesos diodas nuolat šviečia žaliai	Įkrovos lygis: nuo 25 iki 10 %
Vienas (1) šviesos diodas lėtai mirksi žaliai	Įkrovos lygis: < 10 %
Vienas (1) šviesos diodas greitai mirksi žaliai	Ličio jonų akumulatorius yra visiškai išsikrovęs. Akumulatorių įkraukite. Jei šviesos diodai po akumulatoriaus įkrovimo vis dar greitai mirksi, kreipkitės į Hilti techninės priežiūros centrą.
Vienas (1) šviesos diodas greitai mirksi geltonai	Ličio jonų akumulatorius arba su juo sujungtas prietaisas yra veikiamas per didelės apkrovos, yra per karštas, per šaltas arba įvykęs kitoks gedimas. Prietaisą ir akumulatorių nustatykite į rekomenduojamą darbinę temperatūrą ir naudodami neperkraukite prietaiso. Jei pranešimas rodomas ir toliau, prašome kreiptis į Hilti techninės priežiūros centrą.
Vienas (1) šviesos diodas šviečia geltonai	Ličio jonų akumulatorius ir su juo susijęs prietaisas yra nesuderinami. Kreipkitės į Hilti techninės priežiūros centrą.



Būsena	Reikšmė
Vienas (1) LED šviesos diodas greitai mirksi raudonai	Ličio jonų akumuliatoriaus užblokuotas, jo nebegalima naudoti. Kreipkitės į Hilti techninės priežiūros centrą.

3.4.2 Akumuliatoriaus būsenos rodmenys

Norėdami užklausti apie akumuliatoriaus būklę, ilgiau nei tris sekundes spauskite atblokavimo mygtuką. Sistema neatpažįsta galimo netinkamo baterijos veikimo, kuris yra neleistino baterijos naudojimo pasekmė, pvz., jei nukritus, ją pažeidus arba esant išorinių pažeidimų dėl karščio.

Būsena	Reikšmė
Visi šviesos diodai šviečia kaip signalinės lemputės, ir po to (1) vienas šviesos diodas nuolat šviečia žalia spalva.	Akumuliatorių galima naudoti toliau.
Visi šviesos diodai šviečia kaip signalinės lemputės, ir po to (1) vienas šviesos diodas greitai mirksi geltona spalva.	Užklausa dėl akumuliatoriaus būklės negalėjo būti baigta. Procedūrą pakartokite arba kreipkitės į Hilti techninės priežiūros centrą.
Visi šviesos diodai šviečia kaip signalinės lemputės, ir po to (1) vienas šviesos diodas nuolat šviečia raudona spalva.	Jeigu prijungtą prietaisą galima naudoti toliau, likusi akumuliatoriaus talpa yra mažesnė kaip 50%. Jeigu prijungto prietaiso toliau naudoti nebegalima, vadinasi akumuliatoriaus eksploatavimo laikas baigėsi ir jį reikia pakeisti. Kreipkitės į Hilti techninės priežiūros centrą.

4 Techniniai duomenys

4.1 Gaminio savybės

	SC 6WP-22
Prietaiso karta	01
Svoris	3,3 kg (pagal EPTA-Procedure 01 be akumuliatoriaus)
Svoris (lygiagrečioji atrama)	0,45 kg
Matmenys (I×P×A)	360 mm × 200 mm × 237 mm
Bazinis pjovimo disko storis	1 mm ... 1,5 mm
Maksimalus pjovimo gylis	57 mm
Nominalusis tuščiosios eigos sukimosi greitis	6 000 aps./min.
Nominalioji maitinimo įtampa	21,6 V

4.2 Pjovimo diskų tipai ir naudojimas

Pjovimo disko tipas	Naudojimo nurodymas
Universalus pjovimo diskas Tikslaus pjovimo diskas	Mediena ir medienos pagrindu pagamintos medžiagos
Pluoštinio cemento pjovimo diskas	Pluoštinis cementas arba pluoštinio cemento pagrindu pagamintos medžiagos

4.3 Laikymo ir darbinė temperatūros

Laikymo temperatūra	-20 °C ... 70 °C
Darbinė aplinkos temperatūra	-17 °C ... 60 °C



4.4 Akumulatorius

Akumulatoriaus darbinė įtampa	21,6 V
Akumulatoriaus svoris	Žr. šios naudojimo instrukcijos gale.
Darbinė aplinkos temperatūra	-17 °C ... 60 °C
Laikymo temperatūra	-20 °C ... 40 °C
Akumulatoriaus temperatūra, kai pradėdama įkrauti	-10 °C ... 45 °C

4.5 Informacija apie triukšmą ir vibracijos reikšmės

Šiuose nurodymuose pateiktos garso slėgio ir vibracijos reikšmės yra išmatuotos taikant standartizuotą matavimo metodą ir gali būti naudojami elektriniams įrankiams palyginti tarpusavyje. Jos taip pat tinka šių veiksmų poveikiui iš anksto įvertinti.

Nurodytieji duomenys yra susieti su pagrindinėmis šio elektrinio įrankio naudojimo sritimis. Jeigu elektrinis įrankis bus naudojamas kitaip, su skirtingais keičiamaisiais įrankiais arba bus nepakankamai techniškai prižiūrimas, šie duomenys gali skirtis nuo nurodytųjų. Tai gali gerokai padidinti šių veiksmų poveikį per visą darbo laikotarpį.

Norint tiksliai įvertinti poveikį, reikėtų įvertinti ir laiką, kai elektrinis prietaisas yra išjungtas, arba, nors ir įjungtas, juo faktiškai nedirbama. Toks įvertinimas gali smarkiai sumažinti poveikio per visą darbo laikotarpį reikšmę.

Imkitės papildomų saugos priemonių, kad darbuotojas būtų apsaugotas nuo triukšmo ir / arba vibracijos poveikio, pavyzdžiui, reikalaukite tinkamos elektrinio įrankio ir keičiamųjų įrankių techninės priežiūros, pasirūpinkite, kad darbuotojų rankos visada būtų šiltos, užtikrinkite tinkamą darbo organizavimą.



Išsamesios informacijos apie čia taikomų **EN 62841** standartų versijas rasite atitikties deklaracijos vaizde 313.

Informacija apie triukšmą

Garso galios lygis (L_{WA})	106 dB(A)
Garso galios lygio paklaida (K_{WA})	3 dB(A)
Garso slėgio lygis (L_{pA})	98 dB(A)
Garso slėgio lygio paklaida (K_{pA})	3 dB(A)

Suminės vibracijų reikšmės

Medienos drožlių plokštės pjovimas ($a_{h,W}$)	B 22-55	0,9 m/s ²
Aliumininės skardos pjovimas ($a_{h,M}$)	B 22-55	1,7 m/s ²
Paklaida (K)		1,5 m/s ²

5 Pasiruošimas darbui



ĮSPĖJIMAS

Sužalojimo pavojus dėl atsitiktinio paleidimo!

- ▶ Prieš įdėdami akumuliatorių, įsitinkite, kad atitinkamas prietaisas yra išjungtas.
- ▶ Prieš nustatydami prietaisą ar keisdami reikmenis, išimkite akumuliatorių.

Laikykitės šioje instrukcijoje ir ant prietaiso pateiktų saugos nurodymų ir įspėjimų.

5.1 Akumulatoriaus įkrovimas

1. Prieš pradėdami krauti, perskaitykite kroviklio naudojimo instrukciją.
2. Atkreipkite dėmesį, kad akumulatoriaus ir kroviklio kontaktai turi būti švarūs ir sausi.
3. Akumuliatorių įkraukite leistinu krovikliu. 142



5.2 Akumulatoriaus įdėjimas

ĮSPĖJIMAS

Sužalojimo pavojus dėl trumpojo jungimo arba krintančio akumulatoriaus!

- ▶ Prieš įdėdami akumuliatorių įsitikinkite, kad jo ir prietaiso kontaktuose nėra pašalinių daiktų.
 - ▶ Įsitikinkite, kad akumuliatorius visada tinkamai užsifiksavo.
1. Prieš pirmąjį kartą naudodami, akumuliatorių pilnai įkraukite.
 2. Akumuliatorių stumkite į prietaisą, kol jis girdimai užsifiksuos.
 3. Patikrinkite, ar akumuliatorius gerai užfiksuotas prietaise.

5.3 Akumulatoriaus išėmimas


1. Spauskite akumulatoriaus atblokovimo mygtuką.
2. Iš gaminio išimkite akumuliatorių.

5.4 Apsaugos nuo kritimo iš aukščio priemonė 2

ĮSPĖJIMAS

Sužalojimo pavojus krentant įrankiui ir/arba papildomai įrangai!

- ▶ Naudokite tik Jūsų prietaisui rekomenduojamą **Hilti** įrankio laikantįjį lyną.
- ▶ Kiekvieną kartą prieš naudodami patikrinkite įrankio laikančiojo lyno tvirtinimo taško galimus pažeidimus.


 Laikykitės Jūsų šalyje galiojančių direktyvų dėl darbo aukštyje.

Šiam prietaisui kaip apsaugą nuo nukritimo naudokite tik **Hilti** įrankių laikantįjį lyną #2261971.

- ▶ Įrankių laikantįjį lyną kilpa pritvirtinkite prie prietaiso, kaip pavaizduota paveikslėlyje. Patikrinkite, ar patikimai laikosi.
- ▶ Karabino kablį pritvirtinkite prie laikančiosios struktūros. Patikrinkite, ar karabino kablys patikimai pritvirtintas.

 Laikykitės **Hilti** įrankio laikančiojo lyno naudojimo instrukcijų.

5.5 Įleidimo bloko nustatymas į montavimo padėtį 3

 Įleidimo blokas turi montavimo padėtį, kurioje galima pasiekti fiksavimo varžtą per montavimo langelį. Fiksavimo svirtimi galite nustatyti montavimo padėtį.

Jei fiksavimo svirtį užlenkite atgal (į pagrindinę padėtį), įleidimo blokas atšoka atgal. Laikykite prietaisą už pagrindinės rankenos, kad įleidimo bloką kontroliuodami nustatytumėte į pradinę padėtį.


1. Prietaisą nustatykite į tokią padėtį, kad galėtumėte įleisti į didžiausią pjovimo gylį (pvz., ant stalo krašto).
2. Atidarykite pjovimo disko montavimo dangtelį.
3. Pjovimo gylio nustatymo indikatoriumi nustatykite didžiausią vertei (1).
4. Fiksavimo svirtį atlenkite aukštyn (į montavimo padėtį) (2).
5. Spauskite ir laikykite įjungimo blokatorių (3) ir įleiskite įleidimo bloką į montavimo padėtį.
 - ▶ Įleidimo blokas montavimo padėtyje girdimai užsifiksuoja.
 - ▶ Fiksavimo varžtas matomas montavimo lango centre.

5.6 Pjovimo disko nuėmimas 4

ĮSPĖJIMAS

Pavojus nusideginti ir įsipjauti pjovimo disku, fiksavimo varžtu ir fiksavimo jungė Galima nudegti ir įsipjauti.

- ▶ Keisdami įrankius, mūvėkite apsaugines pirštines.

1. Įleidimo bloką nustatykite į montavimo padėtį.  146



2. Paspauskite ir laikykite veleno blokavimo mygtuką **(1)**.
3. Vidiniu šešiabriauniu raktu atlaisvinkite fiksavimo varžtą **(2)**.



Orientuokitės pagal sukimosi krypties rodyklę: fiksavimo varžtą atsukite pjovimo disko sukimosi kryptimi.

4. Išimkite fiksavimo varžtą ir fiksavimo jungę.
5. Išimkite pjovimo diską žemyn iš apsauginio gaubto.



Jeigu reikia, tvirtinimo jungę galima nuimti ir nuvalyti.

5.7 Pjovimo disko uždėjimas

Įsitinkite, kad tvirtinamas pjovimo diskas atitinka techninius reikalavimus ir yra gerai pagalastas.

Aštrus pjovimo diskas yra nepriekaištingo pjūvio sąlyga.

Prieš kiekvieną naudojimą visada pasirinkite pjaunamai medžiagai tinkamą pjovimo diską.

1. Įleidimo bloką nustatykite į montavimo padėtį. 146
2. Nuvalykite tvirtinimo ir fiksavimo jungę **(1)**.
3. Ant pavaros veleno tinkama kryptimi užmaukite tvirtinimo jungę.
4. Uždėkite naują pjovimo diską **(2)**.
 - ▶ Atkreipkite dėmesį į sukimosi krypties rodyklę ant pjovimo disko **(3)** ir apsauginio gaubto **(4)**. Abiejų sukimosi kryptių rodyklių kryptys turi sutapti.
5. Fiksavimo jungę uždėkite tinkama kryptimi.
6. Įsukite fiksavimo varžtą.
7. Paspauskite ir laikykite veleno blokavimo mygtuką **(5)**.
8. Vidiniu šešiabriauniu raktu priveržkite fiksavimo varžtą **(6)**.



Orientuokitės pagal sukimosi krypties rodyklę: Priveržkite fiksavimo varžtą prieš pjovimo disko sukimosi kryptį.

9. Patikrinkite, ar tinkamai įdėtas pjovimo diskas.
10. Prietaisą laikykite paėmę už pagrindinės rankenos.
11. Fiksavimo svirtį nustatykite į pagrindinę padėtį ir nuleiskite įleidimo bloką atgal į pagrindinę padėtį **(7)**.
12. Uždarykite pjovimo disko montavimo dangtelį.

5.8 Stumdomasis apsauginis langelis nuo dulkių

Siekdami optimalaus pjuvenų nusiurbimo, visada stumkite apsauginį langelį nuo dulkių kaip galima arčiau prie ruošinio.

5.9 Pjovimo gylio nustatymas



Nustatytasis pjovimo gylis visada turi būti maždaug 5–10 mm didesnis už pjaunamos medžiagos storį.

1. Spauskite ir laikykite pjovimo gylio nustatymo įtaiso atblokavimo mygtuką **(1)**.
2. Stumkite slankiklį į reikiamą pjovimo gylį **(2)**.
 - ▶ Pjovimo gylio indikatorius turi atskirą rodmenį pjūviams, kurie atliekami naudojant kreipiamąją liniuotę **(3)** ir nenaudojant kreipiamosios liniuotės **(4)**.
3. Atleiskite pjovimo gylio nustatymo įtaiso atblokavimo mygtuką.

5.10 Įstrižų pjūvių pjovimo kampo nustatymo



- Venkite nustatyti skirtingus pjovimo kampus priekyje ir gale, kai priverždami nespaudžiate papildomos rankenos arba pjūklo. Dėl skirtingų kampo nustatymų negalima atlikti tiesaus pjūvio.

1. Atsukite pjovimo kampo nustatymo įtaiso 2 užspaudimo varžtus **(1)**.




2. Pasukite prietaisą į norimą pjovimo kampą.
 - ▶ Jei norite nustatyti kampą -1° arba didesnę nei 45° (ne didesnę nei 47°), spauskite ir laikykite atblokavimo mygtuką **(2)**.
3. Priveržkite vieną iš dviejų pjovimo kampo nustatymo įtaiso fiksavimo varžtus.
4. Priveržkite priešais esantį pjovimo kampo nustatymo įtaiso fiksavimo varžtą.

5.11 Pjovimo disko sukimosi greičio nustatymas

Visada naudokite sukimosi greitį, kuris tinka naudojamam pjovimo diskui ir apdirbamai medžiagai. Pritaikę sukimosi greitį išvengsite pjovimo dantų perkaitimo ir pailginsite pjovimo diskų naudojimo trukmę.

- ▶ Sukimosi greičio pasirinkimo ratuką sukite į atitinkamą padėtį.

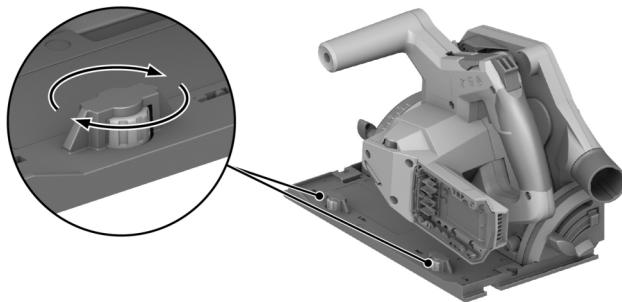
5.12 Lygiagrečiosios atramos montavimas

 Priklausomai nuo montavimo prie prietaiso, lygiagrečioji atrama gali atlikti vieną iš dviejų funkcijų:

- L formos briauna nukreipta žemyn: lygiagrečioji atrama pastoviems pjūviams išilgai briaunos.
- L formos briauna nukreipta aukštyn: papildo pagrindo plokštę stabilesniam kreipimui, pjaunant be kreipiamosios liniuotės.

1. Atsukite abu užspaudimo varžtus.
2. Lygiagrečiąją atramą stumkite į pagrindo plokštės montavimo angas.
3. Nustatykite lygiagrečiąją atramą pjūviui reikalingu atstumu.
 - ▶ Atkreipkite dėmesį, kad atstumai abiejose pusėse būtų lygūs.
4. Priveržkite abu užspaudimo varžtus.

5.13 Prietaiso padėjimas ant kreipiamosios liniuotės



1. Prietaisą su pagrindo plokštės grioveliu uždėkite ant kreipiamosios briaunos.
2. Patikrinkite tarpą tarp kreipiamosios liniuotės ir pagrindo plokštės.
3. Tarpą nustatykite ekscentriniais varžtais **(1)**:
 - ▶ Norėdami tarpą sumažinti, ekscentrinis varžtas sukite pagal laikrodžio rodyklę.
 - ▶ Norėdami tarpą padidinti, ekscentrinis varžtas sukite prieš laikrodžio rodyklę.
4. Tarpą nustatykite kaip galima mažesnę, kuris netrukdyti slydimo judesius.

6 Naudojimas

Laikykites šioje instrukcijoje ir ant prietaiso pateiktų saugos nurodymų ir įspėjimų.

6.1 Įjungimas arba išjungimas

Įjungimas

1. Spauskite ir laikykite aukštyn nuspaudę įjungimo blokatorių.



2. Paspauskite ir laikykite nuspaudę jungiklį.
3. Atleiskite įjungimo blokatorių.

Įjungimo blokatorius lieka atblokuotoje padėtyje, kol jūs laikote nuspaudę jungiklį arba įleidimo blokas yra įleidimo padėtyje. Įjungimo blokatorius automatiškai šoka į blokuotą padėtį, kai įleidimo blokas yra pagrindinėje padėtyje ir jūs atleidžiate jungiklį.

Išjungimas

4. Įleidimo bloką gražinkite į montavimo padėtį.
5. Atleiskite jungiklį.

6.2 Dulkių ir pjūvenų šalinimo valdymas

- Pjovimas naudojant **dulkių gaudymo įtaisą**: Siurbimo žarną prijunkite prie siurbimo atvamzdžio ir laikykitės dulkių gaudymo įtaiso naudojimo instrukcijoje pateiktų nurodymų.
- Pjovimas naudojant **dulkių maišą**: Dulkių maišą su adapteriu įstatykite į nusiurbimo atvamzdį, skirtą dulkių gaudymo įtaisui.

Prietaisą galite naudoti ir be dulkių valdymo metodo. Užtikrinkite, kad būtų galima laisvai pašalinti pjovimo dulkes ir pjūvenas.

6.3 Pjovimas pagal žymėjimo liniją

Pjaukite tik lygius ruošinius, kurie turi pakankamai didelį atraminį paviršių pagrindo plokštei.

1. Apsaugokite ruošinį, kad jis nepasislinktų, ir pažymėkite pjūvio eigą (žymėjimo liniją).
2. Nustatykite pjovimo gylį. 147
3. Prietaisą su adaptviuoju pjovimo indikatoriumi pridėkite prie žymėjimo linijos.
4. Prietaisą įjunkite. 148
 - ▶ Prietaiso įleidimo judesys galima tik atblokavus jungiklį.
5. Įleidimo bloką įleiskite į ruošinį iki galo (1).
6. Prietaisą tinkamu darbinio greičiu stumkite per ruošinį.
7. Pjovimo diskui sukantis pakelkite atgal įleidimo diską į pagrindinę padėtį (2).

Taip neleisite pjovimo diskui įstrigti ruošinyje.

8. Prietaisą išjunkite, kai tik įleidimo blokas yra pagrindinėje padėtyje. 149



6.4 Įleidžiamojo pjūvio atlikimas

1. Nustatykite pjovimo gylį. 147
2. Padėkite prietaisą ant ruošinio.
3. Prietaisą įjunkite. 148
 - ▶ Prietaiso įleidimo judesys galima tik atblokavus jungiklį.
4. Prietaisą įleiskite į ruošinį iki galo.
5. Prietaisą tinkamu darbinio greičiu stumkite per ruošinį.
6. Ištraukite prietaisą iš ruošinio.
7. Prietaisą išjunkite, kai tik įleidimo blokas yra pagrindinėje padėtyje. 149




6.5 Įstrižų pjūvių atlikimas (pjovimas kampu)

Prietaisas turi adaptvųjį pjovimo indikatorių, kuris automatiškai prisitaiko prie nustatyto pjovimo kampo. Adaptvūsiai pjovimo indikatorius galioja tik pjūviams be kreipiamosios liniuotės. Kai pjaunama naudojant kreipiamąją liniuotę, dėl konstrukcinių sąlygų pjūvio linija nepriklauso nuo nustatyto pjovimo kampo.



1. Nustatykite įstrižų pjūvių pjovimo kampa.  147
2. Prietaisą su adaptyviojo pjovimo indikatoriumi pridėkite prie žymėjimo linijos.
3. Prietaisą įjunkite.  148
4. Įleidimo bloką įleiskite į ruošinį.
5. Stumkite prietaisą per ruošinį išilgai kreipiamosios liniuotės.

6.6 Pjūviai naudojant kreipiamąją liniuotę **10**

1. Užfiksukite kreipiamąją liniuotę 2 sraigtiniais veržtuvais.
2. Uždėkite pagrindo plokštę su grioveliu ant kreipiamosios liniuotės kreipiamosios briaunos.
3. Nustatykite įstrižų pjūvių pjovimo kampa.  147
4. Nustatykite pjovimo gylį.  147
5. Prietaisą įjunkite.  148
6. Įleidimo bloką įleiskite į ruošinį.
7. Stumkite prietaisą per ruošinį išilgai kreipiamosios liniuotės.

7 Priežiūra ir einamasis remontas



ĮSPĖJIMAS

Sužalojimo pavojus kai įstatytas akumulatorius !

- Prieš pradėdami bet kokius techninės priežiūros ir einamojo remonto darbus, akumuliatorių iš prietaiso išimkite!

Prietaiso priežiūra

- Prilipusius nešvarumus atsargiai nuvalykite.
- Jei yra, vėdinimo plyšius atsargiai išvalykite sausu minkštu šepetėliu.
- Korpusą valykite tik šiek tiek sudrėkinta šluoste. Nenaudokite priemonių, kurių sudėtyje yra silikono, nes jos gali pakenkti plastikinėms detalėms.
- Prietaiso kontaktams nuvalyti naudokite švarią, sausą šluostę.

Ličio jonų akumuliatorių priežiūra

- Niekada nenaudokite akumulatoriaus, jei jo vėdinimo plyšiai yra užsikimšę. Vėdinimo plyšius atsargiai išvalykite sausu, minkštu šepetėliu.
- Saugokite akumuliatorių nuo bereikalingo dulkių ir nešvarumų poveikio. Saugokite akumuliatorių nuo didelės drėgmės (pvz., nepanardinkite į vandenį ir nepalikite stovėti lietuje). Jei akumuliatorių peršlapo, elkitės su juo kaip su pažeistu akumuliatoriumi. Izoliuokite jį nedegiame konteineryje ir kreipkitės į **Hilti** techninės priežiūros centrą.
- Saugokite akumuliatorių nuo pašalinės alyvos ir tepalų. Saugokite, kad ant akumulatoriaus nenusėtų dulkių ir nešvarumų. Akumuliatorių valykite sausu, minkštu šepetėliu arba švaria, sausa šluoste. Nenaudokite priemonių, kurių sudėtyje yra silikono, nes jos gali pakenkti plastikinėms detalėms. Nelieskite akumulatoriaus kontaktų ir nepašalinkite nuo kontaktų gamykloje užtepto tepalo.
- Korpusą valykite tik šiek tiek sudrėkinta šluoste. Nenaudokite priemonių, kurių sudėtyje yra silikono, nes jos gali pakenkti plastikinėms detalėms.

Einamasis remontas

- Reguliariai tikrinkite, ar matomos dalys nėra pažeistos ir ar valdymo elementai veikia neprikaištingai.
- Nenaudokite pažeisto prietaiso arba prietaiso su veikimo trukdžiais. Prietaisą nedelsdami pristatykite remontuoti į **Hilti** techninės priežiūros centrą.
- Atlikę priežiūros ir remonto darbus uždėkite visus apsauginiai įtaisus ir patikrinkite, ar jie neprikaištingai veikia.



Kad eksploatacija būtų patikima, naudokite tik originalias atsargines dalis ir eksploatacines medžiagas. **Hilti** aprobuotas atsargines dalis, eksploatacines medžiagas ir reikmenis savo prietaisui rasite vietinėje **Hilti Store** arba tinklalapyje www.hilti.group

7.1 Apsauginio įtaiso valymas

1. Apsauginius įtaisus atsargiai valykite sausu šepetėliu.
2. Apsauginių įtaisų viduje susikaupusias apnašas ir pjuvenas šalinkite tinkamu įrankiu.



7.2 Pjuvenų kanalo valymas

1. Jei prie nusiurbimo atvamzdžio sumontavote dulkių gaudymo įtaisą, nuo nusiurbimo atvamzdžio atjunkite siurbimo žarną.
2. Išvalykite pjuvenų kanalą šepetčiu.

8 Akumuliatorių įrankių ir akumuliatorių transportavimas ir sandėliavimas

Transportavimas



ATSARGIAI

Atsitiktinis įjungimas transportuojant !

- ▶ Savo prietaisus visada transportuokite tik išėmę akumuliatorius!
- ▶ Išimkite akumuliatorių/akumuliatorius.
- ▶ Akumuliatorių niekada netransportuokite sumetę į krūvą su kitais daiktais. Transportuojamus akumuliatorius būtina saugoti nuo stiprių smūgių ir vibracijos, taip pat izoliuoti nuo bet kokių elektrai laidžių medžiagų ir kitų akumuliatorių, kad jie nesiliestų su kitų akumuliatorių poliais ir nesukeltų trumpojo jungimo. **Laikykitės eksploatavimo vietoje galiojančių akumuliatorių transportavimo direktyvų.**
- ▶ Akumuliatorius draudžiama siųsti paštu. Jei norite siųsti nepažeistus akumuliatorius, kreipkitės į pervežimų įmonę.
- ▶ Prieš kiekvieną naudojimą ir po ilgesnio transportavimo patikrinkite, ar prietaisas ir akumuliatoriai nepažeisti.

Sandėliavimas



ISPĖJIMAS

Atsitiktinis pažeidimas dėl sugedusių ar išsiliejusių akumuliatorių !

- ▶ Savo prietaisus visada laikykite tik išėmę akumuliatorius!
- ▶ Prietaisas ir akumuliatorių laikykite vėsioje ir sausoje vietoje. Atkreipkite dėmesį į ribines temperatūros vertes, nurodytas skyriuje "Techniniai duomenys".
- ▶ Akumuliatoriaus nelaikykite ant kroviklio. Akumuliatorių visada nuimkite nuo kroviklio po įkrovimo proceso.
- ▶ Nelaikykite akumuliatoriaus saulėje, ant šilumos šaltinių ar už lango stiklo.
- ▶ Prietaisą ir akumuliatorius laikykite vaikams bei neįgalotiems asmenims neprieinamoje vietoje.
- ▶ Prieš kiekvieną naudojimą ir po ilgesnio sandėliavimo patikrinkite, ar prietaisas ir akumuliatoriai nepažeisti.

9 Pagalba sutrikus veikimui

Visais sutrikimų atvejais atkreipkite dėmesį į akumuliatoriaus būsenos rodmenį. Žr. skyrių **Ličio jonų akumuliatoriaus rodmenys**.



Pasitaikius sutrikimų, kurie neaprašyti šioje lentelėje arba kurių negalite pašalinti patys, kreipkitės į Hilti techninės priežiūros centrą.

Sutrikimas	Galima priežastis	Sprendimas
Jungiklio negalima paspausti arba jis yra užblokuotas.	Gedimo nėra (apsauginė funkcija).	▶ Paspauskite įjungimo blokatorių.
Staiga stipriai sumažėja sukimosi greitis.	Akumuliatorius išsikrovęs.	▶ Akumuliatorių įkraukite.
	Per didelę pastūmos jėgą.	▶ Pastūmos jėgą sumažinkite ir prietaisą vėl įjunkite.
Siurblys nusiurbia arba siurbia silpnai.	Užkimštas drožlių kanalas.	▶ Išvalykite pjuvenų kanalą. 151
Po įjovimo disko blokavimo prietaisas savaime nepradeda sukstis.	Suveikė apsauga nuo perkrovos.	▶ Vėl paspauskite įjungimo blokatorių ir jungiklį.
Akumuliatorius neužsifiksuoja girdimu spragtelėjimu.	Užterštas akumuliatoriaus fiksatorius.	▶ Fiksatorių išvalykite ir iš naujo įdėkite akumuliatorių.



Sutrikimas	Galima priežastis	Sprendimas
Prietaisas vibruoja stipriau nei paprastai.	Netinkamai sumontuotas pjovimo diskas.	▶ Išmontuokite pjovimo diską ir sumontuokite iš naujo.
Akumuliatoriaus šviesos diodai nieko nerodo	Akumuliatorius yra sugedęs	▶ Kreipkitės į Hilti techninės priežiūros centrą.

10 Utilizavimas

ĮSPĖJIMAS

Sužalojimo pavojus dėl netinkamo utilizavimo! Išėinančios dujos ir ištekantis skystis kelia pavojų sveikatai.

- ▶ Pažeistų akumuliatorių nesiūskite paštu ir nepervežkite!
- ▶ Kad būtų išvengta trumpojo jungimo, jungtis uždenkite elektrai nelaidžia medžiaga.
- ▶ Akumuliatorius utilizuokite taip, kad jie negalėtų patekti į vaikų rankas.
- ▶ Akumuliatorių pristatykite utilizuoti į savo **Hilti Store** arba kreipkitės į vietinę kompetentingą utilizavimo įmonę.

Didelė **Hilti** prietaisų dalis yra pagaminta iš medžiagų, kurias galima perdirbti. Būtina antrinio perdirbimo sąlyga yra tinkamas medžiagų išrūšiavimas. Daugelyje šalių **Hilti** priims Jūsų nebenaudojamą prietaisą perdirbti. Apie tai galite pasitairauti artimiausiam **Hilti** techninės priežiūros centre arba savo prekybos konsultantui.



- ▶ Elektrinių įrankių, elektroninių prietaisų ir akumuliatorių neišmeskite į buitinius šiukšlynus!

11 Gamintojo teikiama garantija

- ▶ Kilus klausimų dėl garantijos sąlygų, kreipkitės į vietinį **Hilti** partnerį.

12 Daugiau informacijos

Daugiau informacijos apie valdymą, techniką, aplinką ir perdirbimą rasite šiuo adresu: qr.hilti.com/manual?id=2276609&id=2276671

Šią nuorodą taip pat rasite dokumentacijos gale kaip QR kodą.

Перевод оригинального руководства по эксплуатации

1 Данные руководства по эксплуатации

1.1 К настоящему руководству по эксплуатации



Импортер и уполномоченная изготовителем организация

- (RU) Российская Федерация
АО "Хилти Дистрибьюшн ЛТД", 141402, Московская область, г. Химки, ул. Ленинградская, стр. 25, комната 15.26
- (BY) Республика Беларусь
ИООО "Хилти БиУай", 222750, Минская область, Дзержинский район, Р-1, 18-й км, 2 (около д. Слободка), помещение 1-34
- (KZ) Республика Казахстан
ТОО "Хилти Казахстан", 050057, г. Алматы, Бостандыкский район, ул. Тимирязева, дом 42/15, литер 012 (корпус15)
- (AM) Республика Армения
ООО "ЭЙЧ-КОН", 0070, г. Ереван, ул. Ерванда Кочара 19/28

Страна производства: см. маркировочную табличку на оборудовании.

Дата производства: см. маркировочную табличку на оборудовании.



Соответствующий сертификат можно найти по адресу: www.hilti.ru

Специальных требований к условиям хранения, транспортировки и использования, кроме указанных в руководстве по эксплуатации, нет.

Срок службы изделия составляет 5 лет.

- **Предупреждение!** Перед использованием изделия убедитесь в том, что вы полностью изучили прилагаемое к нему руководство по эксплуатации, включая приводимые там инструкции, указания по технике безопасности и предупреждения, иллюстрации и технические характеристики. В частности, ознакомьтесь со всеми инструкциями, указаниями по технике безопасности и предупреждениями, иллюстрациями, техническими характеристиками, а также компонентами и функциями. Несоблюдение этих требований может привести к поражению электрическим током, возгоранию и/или серьезным травмам. Храните руководство по эксплуатации, включая все инструкции, указания по технике безопасности и предупреждения, для последующего использования.
- Изделия предназначены для профессионального использования, поэтому они должны обслуживаться и ремонтироваться только уполномоченным и обученным персоналом. Этот персонал должен пройти специальный инструктаж по технике безопасности. Использование изделия и его оснастки не по назначению или его эксплуатация необученным персоналом могут представлять опасность.
- Прилагаемое руководство по эксплуатации соответствует уровню технического прогресса на момент сдачи в печать. Актуальная версия всегда доступна в режиме онлайн на веб-сайте Hilti с описанием изделия. Для этого перейдите по ссылке или QR-коду, приводимым в настоящем руководстве по эксплуатации с обозначением символом .
- При смене владельца обязательно передавайте настоящее руководство по эксплуатации вместе с изделием.

1.2 Пояснение к знакам

1.2.1 Предупреждающие указания

Предупреждающие указания служат для предупреждения об опасностях при обращении с изделием. Используются следующие сигнальные слова:

ОПАСНО

ОПАСНО !

- ▶ Общее обозначение непосредственной опасной ситуации, которая влечет за собой тяжелые травмы или смертельный исход.

ПРЕДУПРЕЖДЕНИЕ

ПРЕДУПРЕЖДЕНИЕ !

- ▶ Общее обозначение потенциально опасной ситуации, которая может повлечь за собой тяжелые травмы или смертельный исход.

ОСТОРОЖНО

ОСТОРОЖНО !

- ▶ Общее обозначение потенциально опасной ситуации, которая может повлечь за собой травмы или повреждение оборудования (материальный ущерб).

1.2.2 Символы, используемые в руководстве

В этом руководстве используются следующие символы:

	Соблюдать руководство по эксплуатации
	Указания по эксплуатации и другая полезная информация
	Обращение с материалами, пригодными для вторичной переработки
	Не выбрасывайте электроинструменты и аккумуляторы вместе с обычным мусором!
	Hilti Литий-ионный аккумулятор (Li-Ion)



	Зарядное устройство Hilti
--	----------------------------------

1.2.3 Символы на изображениях

На изображениях используются следующие символы:

2	Эти цифры указывают на соответствующее изображение в начале данного руководства.
3	Нумерация на изображениях отображает порядок выполнения рабочих операций и может отличаться от нумерации, используемой в тексте.
11	Номера позиций используются в обзорном изображении. В обзоре изделия они указывают на номера в экспликации.
	Этот знак должен привлечь особое внимание пользователя при обращении с изделием.

1.3 Символы в зависимости от изделия

1.3.1 Общие символы

Символы, используемые с этим изделием.

n_0	Номинальная частота вращения на холостом ходу
	Постоянный ток
	Стрелка, указывающая направление вращения
RPM	оборотов в минуту
\varnothing	Диаметр
	Режущий круг
	Это изделие поддерживает технологию беспроводной передачи данных на базе ОС iOS и Android.
	Соответствующая маркировка на изделии подтверждает, что это изделие было сертифицировано данным органом сертификации для использования в США и Канаде в соответствии с действующими нормами.
Li-Ion	Литий-ионный аккумулятор
	Никогда не используйте аккумулятор в качестве ударного инструмента.
	Не допускайте падения аккумулятора. Не используйте аккумулятор, который получил повреждения вследствие удара или каким-либо иным образом.

1.3.2 Предписывающие знаки

На изделии используются следующие предписывающие знаки:

	Используйте защитные очки
--	---------------------------

2 Безопасность

2.1 Общие указания по технике безопасности для электроинструментов

⚠ ПРЕДУПРЕЖДЕНИЕ Изучите все указания по технике безопасности, инструкции, иллюстрации и технические данные, которые прилагаются к данному электроинструменту. Несоблюдение приводимых ниже указаний может привести к поражению электрическим током, пожару и/или тяжелым травмам.

Сохраните все указания по технике безопасности и инструкции для следующего пользователя. Используемый далее термин «электроинструмент» относится к электроинструменту, работающему от электрической сети (с кабелем электропитания) и от аккумулятора (без кабеля электропитания).



Безопасность рабочего места

- ▶ Следите за чистотой и хорошей освещенностью на рабочем месте. Беспорядок на рабочем месте или плохое освещение могут привести к несчастным случаям.
- ▶ Не используйте электроустройство/электроинструмент во взрывоопасной зоне, где имеются горючие жидкости, газы или пыль. При работе электроустройство/электроинструмент искрит, и искры могут воспламенить пыль или пары/газы.
- ▶ Не разрешайте детям и посторонним приближаться к работающему электроустройству/электроинструменту. Отвлекаясь от работы, можно потерять контроль над электроустройством/электроинструментом.

Электрическая безопасность

- ▶ Соединительная вилка электроинструмента должна соответствовать розетке электросети. Не изменяйте конструкцию вилки! Не используйте переходные вилки с электроинструментами с защитным заземлением. Использование оригинальных вилок и соответствующих им розеток снижает риск поражения электрическим током.
- ▶ Избегайте непосредственного контакта с заземленными поверхностями, например с трубами, отопительными приборами, газо-/электропластинами и холодильниками. При контакте с заземленными предметами возникает повышенный риск поражения электрическим током.
- ▶ Предохраняйте электроинструменты от дождя или воздействия влаги. В результате попадания воды в электроинструмент возрастает риск поражения электрическим током.
- ▶ Не используйте кабель электропитания не по назначению, например для переноски электроинструмента, его подвешивания или для выдергивания вилки из розетки электросети. Защищайте кабель электропитания от воздействий высоких температур, масла, острых кромок или вращающихся деталей/узлов. В результате повреждения или схлестывания кабелей электропитания повышается риск поражения электрическим током.
- ▶ Если работы с электроинструментом выполняются на открытом воздухе, применяйте только удлинительные кабели, которые разрешено использовать вне помещений. Использование удлинительного кабеля, пригодного для использования вне помещений, снижает риск поражения электрическим током.
- ▶ Если избежать работы с электроинструментом в условиях влажности не представляется возможным, используйте автомат защиты от тока утечки. Использование автомата защиты от тока утечки снижает риск поражения электрическим током.

Безопасность персонала

- ▶ Будьте внимательны, следите за своими действиями и серьезно относитесь к работе с электроинструментом. Не пользуйтесь электроинструментом, если вы устали или находитесь под действием наркотиков, алкоголя или медикаментов. Незначительная ошибка при невнимательной работе с электроинструментом может стать причиной серьезного травмирования.
- ▶ Используйте средства индивидуальной защиты и всегда надевайте защитные очки. Использование средств индивидуальной защиты, например респиратора, защитной обуви на нескользящей подошве, защитной каски или защитных наушников, в зависимости от вида и условий эксплуатации электроинструмента, снижает риск травмирования.
- ▶ Избегайте непреднамеренного включения электроинструмента. Убедитесь в том, что электроинструмент выключен, прежде чем подключить его к электропитанию и/или вставить аккумулятор, поднимать или переносить электроинструмент. Ситуации, когда при переноске электроинструмента палец находится на выключателе или когда включенный электроинструмент подключается к электросети, могут привести к несчастным случаям.
- ▶ Перед включением электроинструмента удалите регулировочные приспособления или гаечные ключи. Рабочий инструмент или гаечный ключ, находящийся во вращающейся части электроинструмента, может стать причиной получения травм.
- ▶ Старайтесь избегать неестественных поз при работе. Постоянно сохраняйте устойчивое положение и равновесие. Это позволит лучше контролировать электроинструмент в непредвиденных ситуациях.
- ▶ Носите спецодежду. Не надевайте очень свободную одежду или украшения. Оберегайте волосы, одежду и защитные перчатки от вращающихся узлов электроинструмента. Свободная одежда, украшения и длинные волосы могут быть захвачены ими.
- ▶ Если предусмотрено подсоединение устройств для удаления и сбора пыли, убедитесь в том, что они подсоединены и используются по назначению. Использование пылеудаляющего аппарата снижает вредное воздействие пыли.
- ▶ Не пребывайте в ложной уверенности в собственной безопасности и не пренебрегайте правилами техники безопасности для электроинструментов, даже если вы являетесь опытным



пользователем электроинструмента. Неосторожное обращение может в течение долей секунды стать причиной получения тяжелых травм.

Использование и обслуживание электроинструмента

- ▶ **Не допускайте перегрузки электроинструмента. Используйте электроинструмент, предназначенный именно для данной работы.** Соблюдение этого правила обеспечит более высокое качество и безопасность работы в указанном диапазоне мощности.
- ▶ **Не используйте электроинструмент с неисправным выключателем.** Электроинструмент, включение или выключение которого затруднено, представляет опасность и должен быть отремонтирован.
- ▶ **Прежде чем приступить к регулировке электроинструмента, замене принадлежностей или перед перерывом в работе выньте вилку из розетки и/или аккумулятор из электроинструмента.** Данная мера предосторожности позволит предотвратить непреднамеренное включение электроинструмента.
- ▶ **Храните неиспользуемые электроинструменты в местах, недоступных для детей. Не позволяйте использовать электроинструмент лицам, которые не ознакомлены с ним или не читали эти инструкции.** Электроинструменты представляют собой опасность в руках неопытных пользователей.
- ▶ **Бережно обращайтесь с электроинструментами и принадлежностями. Проверяйте безупречное функционирование подвижных частей, легкость их хода, целостность и отсутствие повреждений, которые могли бы отрицательно повлиять на работу электроинструмента. Сдавайте поврежденные части электроинструмента в ремонт до его использования.** Причиной многих несчастных случаев является несоблюдение правил технического обслуживания электроинструментов.
- ▶ **Необходимо следить за тем, чтобы режущие инструменты были острыми и чистыми.** Заклинивание содержащихся в надлежащем состоянии режущих инструментов происходит реже, ими легче управлять.
- ▶ **Применяйте электроинструмент, принадлежности (оснастку), рабочие инструменты и т. д. согласно данным указаниям. Учитывайте при этом рабочие условия и характер выполняемой работы.** Использование электроинструментов не по назначению может привести к опасным ситуациям.
- ▶ **Замасленные рукоятки и поверхности для хвата немедленно очищайте — они должны быть сухими и чистыми.** Скользкие рукоятки и поверхности для хвата не обеспечивают безопасное управление и контроль электроинструмента в непредвиденных ситуациях.

Использование и обслуживание аккумуляторного инструмента

- ▶ **Заряжайте аккумулятор только с помощью зарядных устройств, рекомендованных изготовителем.** При использовании зарядного устройства для зарядки несоответствующих ему типов аккумуляторов существует опасность возгорания.
- ▶ **Используйте только оригинальные аккумуляторы, рекомендованные специально для этого электроинструмента.** Использование других аккумуляторов может привести к травмам и опасности возгорания.
- ▶ **Неиспользуемые аккумуляторы храните вдали от скрепок, монет, ключей, гвоздей, шурупов или других мелких металлических предметов, которые могут стать причиной замыкания контактов.** Замыкание контактов аккумулятора может привести к ожогам или возгоранию.
- ▶ **При неверном обращении с аккумулятором из него может вытечь электролит. Избегайте контакта с ним. При случайном контакте смойте водой. При попадании электролита в глаза немедленно обратитесь за помощью к врачу.** Вытекший из аккумулятора электролит может привести к раздражению кожи или ожогам.
- ▶ **Не используйте поврежденный или измененный аккумулятор.** Поврежденные или измененные аккумуляторы могут функционировать непредсказуемо и стать причиной возгорания, взрыва или травмирования.
- ▶ **Не подвергайте аккумулятор воздействию огня или слишком высоких температур.** Огонь или температура свыше 130 °C могут спровоцировать взрыв аккумулятора.
- ▶ **Соблюдайте все указания по зарядке и никогда не заряжайте аккумулятор или аккумуляторный инструмент вне температурного диапазона, указанного в руководстве по эксплуатации.** Неправильная зарядка/зарядка вне указанного в руководстве по эксплуатации температурного диапазона могут привести к разрушению аккумулятора и повышают опасность возгорания.

Сервис

- ▶ **Доверяйте ремонт своего электроинструмента только квалифицированному персоналу, использующему только оригинальные запчасти.** Этим обеспечивается поддержание электроинструмента в безопасном состоянии.



- ▶ **Категорически запрещается выполнять обслуживание поврежденных аккумуляторов.** Все технические работы с аккумуляторами должны выполняться только производителем или авторизованными сервисными мастерами.

2.2 Указания по технике безопасности при работе со всеми пилами

Способ пиления

- ▶ **⚠ ОПАСНО: Не приближайте руки к рабочей зоне пилы и режущего круга. Во время работы придерживайте пилу второй рукой за дополнительную рукоятку или корпус двигателя.** При удержании пилы обеими руками риск травмирования режущим кругом исключается.
- ▶ **Не беритесь руками за нижнюю часть заготовки.** В зоне под заготовкой защитной кожух не обеспечивает вашу защиту от режущего круга.
- ▶ **Отрегулируйте глубину реза в зависимости от толщины заготовки.** Часть режущего круга, видимая под заготовкой, должна быть меньше полной высоты зуба.
- ▶ **Не держите распиливаемую заготовку в руке и не поддерживайте ее ногой! Закрепляйте заготовку в надежном зажимном устройстве.** Важно: во избежание опасности непосредственного контакта, заедания режущего круга или потери контроля над электроинструментом заготовку следует надежно фиксировать.
- ▶ **При опасности повреждения рабочим инструментом скрытой электропроводки держите электроинструмент только за изолированные поверхности для хвата.** При контакте с токопроводом незащищенные металлические части электроинструмента также находятся под напряжением, что может привести к поражению электрическим током.
- ▶ **При продольной распиловке всегда используйте упор или прямолинейную направляющую.** Это повышает точность реза и предотвращает возможное заедание режущего круга.
- ▶ **Всегда используйте режущие круги правильного размера с подходящим посадочным отверстием (например, звездообразным или круглым).** Режущие круги, которые не соответствуют установочным размерам деталей пилы, вращаются неравномерно и приводят к потере контроля над электроинструментом.
- ▶ **Никогда не используйте поврежденные или неподходящие подкладные шайбы/зажимные винты.** Используемые для режущих кругов подкладные шайбы и зажимные винты специально разработаны для сохранения оптимальной мощности и эксплуатационной надежности данного электроинструмента.

Отдача: причины и соответствующие меры безопасности

- Отдача является неожиданной для оператора реакцией, возникающей при зацеплении, заедании или неправильном выравнивании режущего круга. Отдача приводит к тому, что неконтролируемая пила начинает выходить из заготовки и смещаться в направлении оператора.
- Если режущий круг зацепляется или защемляется в пропиле, т. е. блокируется, то вследствие работы электродвигателя пила смещается в направлении оператора.
- Если режущий круг проворачивается или неправильно выровнен в пропиле, зубья задней кромки режущего круга могут зацепиться за поверхность заготовки, вследствие чего режущий круг выйдет из пропила и пила отскочит в направлении оператора.

Отдача является следствием неправильного или ошибочного использования пилы. При соблюдении соответствующих мер предосторожности (см. ниже) этого можно избежать.

- ▶ **Надежно держите пилу обеими руками, приняв такое положение, при котором вы сможете амортизировать отдачу электроинструмента. Держитесь всегда сбоку от режущего круга, избегайте рабочего положения на одной линии с ним.** При отдаче дисковая пила может отскочить в сторону оператора. Тем не менее, приняв необходимые меры предосторожности, можно компенсировать отдачу электроинструмента.
- ▶ **В случае заедания режущего круга или прерывания работы выключите пилу и дождитесь полной остановки режущего круга, не вынимая его из заготовки. Никогда не пытайтесь вынуть пилу из заготовки или оттянуть ее назад, пока вращается режущий круг — опасность появления отдачи!** Установите и устраните причину заедания режущего круга.
- ▶ **При повторном включении пилы, которая находится в заготовке, отцентрируйте режущий круг в пропиле и проверьте, нет ли зацепления зубьев пилы в заготовке.** В случае заедания режущего круга при повторном включении пилы режущий круг может выйти из пропила в заготовке или вызвать отдачу.
- ▶ **Поддерживайте плиты большого размера, чтобы снизить риск отдачи в случае заедания режущего круга.** Под действием собственного веса такие плиты могут прогибаться, поэтому их необходимо поддерживать с обеих сторон, как вблизи места реза, так и по краям.



- ▶ **Не используйте тупые или поврежденные режущие круги.** Режущие круги с тупыми или неправильно разведенными зубьями способствуют появлению сильного трения, защемлению режущего круга и отдаче вследствие недостаточной ширины реза.
- ▶ **Перед пилением плотно затяните устройства регулировки глубины и угла резания.** В случае изменения настроек во время пиления возможно защемление режущего круга и появление отдачи.
- ▶ **Будьте особенно осторожны при пилении в стенах или в других непросматриваемых зонах.** Погружаемый режущий круг может заклинить при контакте со скрытыми препятствиями, вследствие чего возникнет отдача.

Функция защитного кожуха

- ▶ **Перед каждым использованием проверяйте, правильно ли закрывается защитный кожух. Не используйте пилу, если защитный кожух плохо подвижен и закрывается не сразу. Никогда не фиксируйте защитный кожух; в противном случае режущий круг останется открытым.** В случае непреднамеренного падения пилы возможно деформирование защитного кожуха. Убедитесь в том, что защитный кожух подвижен и не касается ни режущего круга, ни других частей при любых углах и при любой глубине реза.
- ▶ **Проверьте состояние и функционирование пружины защитного кожуха. Проведите техническое обслуживание пилы перед ее использованием, если защитный кожух и пружина работают неправильно.** Поврежденные детали, липкие отложения или скопления опилок замедляют функционирование нижнего защитного кожуха.
- ▶ **При выполнении погружных резов не под прямым углом зафиксируйте опорную плиту пилы от бокового смещения.** Боковое смещение может привести к заклиниванию режущего круга и, как следствие, к отдаче.
- ▶ **Не кладите пилу на верстак или пол, если режущий круг не закрыт защитным кожухом.** Незащищенный, вращающийся по инерции режущий круг обуславливает смещение пилы против направления реза и режет все, что находится на его пути. Учитывайте при этом время работы пилы по инерции.

2.3 Дополнительные указания по технике безопасности

Безопасность персонала

- ▶ Внесение изменений в конструкцию пилы или принадлежностей или их модификация категорически запрещаются.
- ▶ При работе с электроинструментом используйте только защитные приспособления из комплекта.
- ▶ При выполнении работ с электроинструментом, сопряженных с высокой пылевой нагрузкой, без использования пылеудаляющего аппарата всегда надевайте легкий респиратор.
- ▶ Всегда надежно удерживайте электроинструмент двумя руками за предусмотренные для этого рукоятки.
- ▶ Надевайте защитные наушники. В результате воздействия шума возможна потеря слуха.
- ▶ Чтобы во время работы руки не затекали, время от времени делайте упражнения для расслабления и разминки пальцев.
- ▶ Электроинструмент не предназначен для использования физически слабыми лицами без соответствующего инструктажа.
- ▶ Включайте электроинструмент только после того, как вы приведете его в рабочее положение.
- ▶ Извлекайте аккумулятор в случае возникновения проблем с электроинструментом, при замене рабочих инструментов или принадлежностей, а также при хранении и транспортировке электроинструмента.
- ▶ Не работайте с электроинструментом над головой.
- ▶ Не останавливайте электроинструмент, прижимая режущий круг сбоку.
- ▶ Перед установкой аккумулятора убедитесь в том, что пила выключена и заблокирована от включения (нажата кнопка блокировки включения). Это предотвратит травмы от непреднамеренного запуска электроинструмента.
- ▶ Не касайтесь зажимного фланца и зажимного винта при включенном электроинструменте.
- ▶ Перед тем, как положить электроинструмент, дождитесь полной остановки режущего круга.
- ▶ Перед заменой рабочего инструмента подождите, пока электроинструмент остынет.
- ▶ Категорически запрещается включать блокировку шпинделя, если режущий круг еще вращается.
- ▶ Не направляйте электроинструмент на людей.
- ▶ Блокировку включения следует активировать при каждой замене принадлежностей или аккумуляторов, а также при транспортировке или хранении электроинструмента.
- ▶ Всегда используйте режущий круг, соответствующий обрабатываемому материалу и свойствам разрезаемой детали.



- ▶ Категорически запрещается устанавливать на этот электроинструмент любые шлифкруги.
- ▶ Подводите электроинструмент к разрезаемой детали только во включенном состоянии.
- ▶ Адаптируйте усилие подачи в зависимости от режущего круга и обрабатываемого материала. Это предотвратит заклинивание режущего круга и возможную отдачу.
- ▶ Не допускайте перегрева вершин зубьев режущего круга.
- ▶ Предельно допустимая частота вращения, указанная на рабочем инструменте, не должна быть больше максимальной частоты вращения, указанной на электроинструменте. Рабочий инструмент, вращающийся с частотой больше допустимой, может разрушиться и разлететься на куски.
- ▶ Не работайте в среде, сильно загрязненной пылью.
- ▶ Пыль, возникающая при шлифовании, абразивной обработке, резке и сверлении, может содержать опасные химические вещества. Несколько примеров материалов, содержащих опасные вещества: свинец или краски на свинцовой основе; кирпич, бетон и другие материалы для кладки, природный камень и другие силикатсодержащие изделия; определенные виды древесины, такие как дуб, бук и химически обработанная древесина; асбест или материалы, содержащие асбест. Определите степень воздействия на оператора и окружающих лиц по классу опасности обрабатываемых материалов. Примите необходимые меры для обеспечения безопасного уровня воздействия, например, путем использования подходящих систем пылеудаления или ношения подходящих средств защиты органов дыхания. Общие меры по снижению опасного воздействия:
 - ▶ Работайте в хорошо проветриваемом помещении.
 - ▶ Избегайте длительного контакта с пылью.
 - ▶ Удаляйте пыль с лица и тела.
 - ▶ Носите защитную одежду и промывайте открытые участки, подверженные воздействию, водой с мылом.
- ▶ Вы и находящиеся рядом лица в зоне проведения работ должны в обязательном порядке надевать респиратор, соответствующий требованиям применения.
- ▶ При работе с электроинструментом вы и находящиеся рядом лица в зоне проведения работ должны надевать подходящие защитные очки, защитную каску, защитные наушники, защитные перчатки и защитную обувь.
- ▶ Перед началом работы выясните по материалу разрезаемой детали класс опасности возникающей пыли. Для работы с электроинструментом используйте строительный (промышленный) пылесос, степень защиты которого соответствует нормам пылезащиты, действующим в месте эксплуатации.
- ▶ Соблюдайте национальные требования по охране труда.
- ▶ Для фиксации разрезаемой детали и обеспечения ее стабильного положения используйте струбцины или иные подходящие средства. При удержании разрезаемой детали рукой или иной частью тела ее стабильное положение не гарантируется, что может привести к потере контроля. Не позволяйте третьим лицам удерживать разрезаемую деталь в нужном положении.
- ▶ При резке никогда не погружайте полотно в непроверенные основания. Убедитесь в отсутствии помех над заготовкой и под ней по всей длине пропила/реза. При попадании (нахождении) режущего круга на какой-либо предмет возможна отдача электроинструмента.
- ▶ Опасность травмирования вследствие падения инструментов и/или принадлежностей. Перед началом работы убедитесь в том, что смонтированная принадлежность надежно закреплена.
- ▶ При выполнении пыльных работ с использованием пылесоса не касайтесь пылезащитного кожуха или всасывающего шланга. В случае обработки материалов с интенсивным пылеобразованием может возникать повышенный риск электростатического разряда.
- ▶ Убедитесь в отсутствии препятствий на линии пропила/реза, например, гвоздей, шурупов или других металлических деталей.
- ▶ Используйте только рекомендованные Hilti режущие круги, которые соответствуют стандарту EN 847-1.
- ▶ При резке пластика следите за тем, чтобы обрабатываемая деталь не перегрелась и не оплавилась.

Электрическая безопасность

- ▶ Перед началом работы проверяйте рабочее место на наличие скрытой электропроводки, газо- и водопроводных труб, например, с помощью металлоискателя. Открытые металлические части электроинструмента могут стать проводниками электрического тока, например, при случайном повреждении электропроводки. Это создает повышенный риск удара электрическим током.

2.4 Аккуратное обращение с аккумуляторами и их правильное использование

- ▶ **Соблюдайте следующие указания по технике безопасности для безопасного обращения и использования литий-ионных аккумуляторов.** Их несоблюдение может привести к раздражениям кожи, серьезным травмам, химическим ожогам, возгоранию и/или взрывам.



- ▶ Используйте аккумуляторы только в технически исправном состоянии.
- ▶ Обращайтесь с аккумуляторами осторожно, чтобы не допустить повреждений и предотвратить выход жидкостей, представляющих серьезную опасность для здоровья!
- ▶ Категорически запрещается вносить изменения в конструкцию аккумуляторов или выполнять недопустимые манипуляции с ними!
- ▶ Запрещается разбирать, сдавливать, нагревать до температуры выше 80 °C (176 °F) или сжигать аккумуляторы.
- ▶ Не используйте или не заряжайте аккумуляторы, которые подвергались механическим (ударным) нагрузкам или получили повреждение каким-либо иным образом. Регулярно проверяйте используемые вами аккумуляторы на признаки повреждений.
- ▶ Категорически запрещается использовать восстановленные аккумуляторы или аккумуляторы после вторичной переработки.
- ▶ Категорически запрещается использовать аккумулятор или работающие от аккумулятора электроинструменты в качестве ударного инструмента.
- ▶ Категорически запрещается подвергать аккумуляторы воздействию прямого солнечного излучения, высокой температуры, искр или открытого пламени. Это может привести к взрывам.
- ▶ Не касайтесь аккумуляторных клемм (полюсов) пальцами, рабочими инструментами, украшениями или иными токопроводящими предметами. Это можно повредить аккумулятор, а также привести к материальному ущербу и травмам.
- ▶ Предохраняйте аккумуляторы от дождя, повышенной влажности и жидкостей. Проникшая влага может привести к коротким замыканиям, ударам электрическим током, ожогам, возгоранию или взрывам.
- ▶ Используйте только допущенные для данного типа аккумуляторов зарядные устройства и электроинструменты. Соблюдайте указания, приводимые в соответствующих руководствах по эксплуатации.
- ▶ Не используйте или не храните аккумулятор во взрывоопасных зонах.
- ▶ Слишком сильный нагрев аккумулятора (такой, что до него невозможно дотронуться) указывает на его возможный дефект. Разместите аккумулятор на безопасном расстоянии от воспламеняющихся материалов в хорошо просматриваемом и пожаробезопасном месте. Дайте остыть аккумулятору. Если по истечении одного часа аккумулятор все еще остается таким горячим, что его нельзя взять в руки, это означает, что он неисправен. Обратитесь в сервисную службу **Hilti** или изучите документ «Указания по технике безопасности и использованию литий-ионных аккумуляторов **Hilti**».



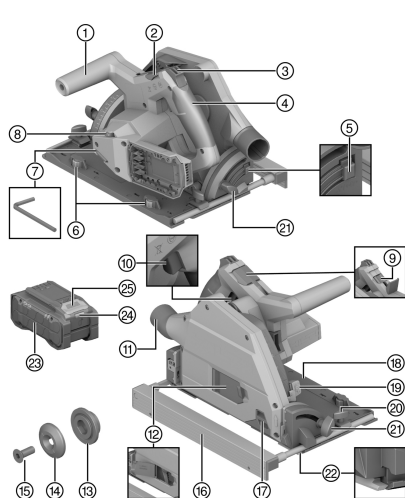
Соблюдайте специальные директивы по транспортировке, хранению и использованию литий-ионных аккумуляторов. 170

Ознакомьтесь с указаниями по технике безопасности и использованию литий-ионных аккумуляторов **Hilti**, которые можно посмотреть путем сканирования QR-кода в конце этого руководства по эксплуатации.



3 Описание

3.1 Обзор изделия 1



- ① Дополнительная рукоятка
- ② Стопорный рычаг для замены режущего круга
- ③ Кнопка блокировки включения
- ④ Основная рукоятка
- ⑤ Кнопка фиксации угла пропила/реза -1° и 47°
- ⑥ Регулятор-колесико для выставления зазора (между направляющей шиной и направляющим пазом в опорной плите)
- ⑦ Ключ-шестигранник
- ⑧ Регулятор-колесико частоты вращения режущего круга
- ⑨ Блокировка шпинделя
- ⑩ Выключатель
- ⑪ Канал для отвода опилок / соединительный патрубков
- ⑫ Монтажная крышка для замены режущего круга
- ⑬ Крепежный фланец
- ⑭ Зажимной фланец
- ⑮ Зажимной винт
- ⑯ Параллельный упор
- ⑰ Сдвижное пылезащитное окно
- ⑱ Опорная плита
- ⑲ Рычаг регулировки глубины резания
- ⑳ Зажимной винт параллельного упора
- ㉑ Зажимной винт для регулировки угла резания
- ㉒ Адаптивный указатель пропила/реза
- ㉓ Аккумулятор
- ㉔ Индикатор статуса аккумулятора
- ㉕ Кнопка деблокировки аккумулятора

3.2 Использование по назначению

Данное изделие представляет собой аккумуляторную погружную дисковую пилу. Оно предназначено для пильных работ и выполнения погружных пропилов/резов только в следующих материалах:

- древесина и древесные материалы;
- полимерные материалы;
- гипсокартонные плиты;
- фиброцементные плиты;
- цветные металлы.

Изделие предназначено для выполнения столярных работ и работ по внутренней отделке.

Ручная дисковая пила оснащена соединительным патрубком для подключения стандартных всасывающих шлангов пылесоса/пылеудаляющего аппарата (опция). Для подсоединения всасывающего шланга (пылесоса) к пиле может потребоваться подходящий переходник.

Используйте только подходящие и допущенные для этого электроинструмента режущие круги, которые соответствуют данным, указанным в технических характеристиках (например, диаметр, частота вращения, толщина, материал и т. д.). Не допускается использование шлифовальных и отрезных кругов, а также режущих кругов из высоколегированной быстрорежущей стали (HSS).

Режьте только ровные детали, которые имеют достаточно большую опорную поверхность для размещения опорной плиты.



- Для этого изделия используйте только литий-ионные аккумуляторы серии В 22 фирмы **Hilti**. **Hilti** рекомендует использовать для этого изделия аккумуляторы, указанные в таблице в конце настоящего руководства по эксплуатации.
- Для зарядки этих аккумуляторов используйте только зарядные устройства **Hilti** указанных в конце настоящего руководства по эксплуатации серий.

3.3 Комплект поставки

Аккумуляторная дисковая пила, режущий круг, руководство по эксплуатации



Другие системные принадлежности, допущенные для использования с этим изделием, см. в **Hilti Store** или на сайте www.hilti.group

3.4 Индикации состояния литий-ионного аккумулятора

Литий-ионные аккумуляторы **Hilti** Nuron оснащены светодиодами для индикации уровня заряда, сигналов ошибки и состояния батареи.

3.4.1 Индикация уровня заряда и сигналов ошибки



ПРЕДУПРЕЖДЕНИЕ

Опасность травмирования вследствие падения аккумулятора!

- ▶ При вставленном аккумуляторе путем нажатия кнопки разблокировки убедитесь в правильной повторной фиксации аккумулятора в используемом электроинструменте.

Для получения одной из следующих индикаций коротко нажмите кнопку разблокировки аккумулятора. Уровень заряда, а также возможные неисправности также отображаются в течение всего времени, пока подключенный (к аккумулятору) электроинструмент включен.

Состояние	Значение
Четыре (4) светодиода непрерывно горят зеленым.	Уровень заряда: от 100 % до 71 %
Три (3) светодиода непрерывно горят зеленым.	Уровень заряда: от 70 % до 51 %
Два (2) светодиода непрерывно горят зеленым.	Уровень заряда: от 50 % до 26 %
Один (1) светодиод непрерывно горит зеленым.	Уровень заряда: от 25 % до 10 %
Один (1) светодиод мигает зеленым с низкой частотой.	Уровень заряда: < 10 %
Один (1) светодиод мигает зеленым с высокой частотой.	Литий-ионный аккумулятор полностью разряжен. Зарядите аккумулятор. Если светодиод после зарядки аккумулятора все еще мигает с высокой частотой, обратитесь в сервисную службу Hilti .
Один (1) светодиод мигает желтым с высокой частотой.	Литий-ионный аккумулятор или подключенный к нему электроинструмент перегружены, слишком горячие, слишком холодные или имеет место другая ошибка. Обеспечьте доведение электроинструмента и аккумулятора до рекомендуемой рабочей температуры и не перегружайте электроинструмент при его использовании. Если сигнал остается, обратитесь в сервисную службу Hilti .
Один (1) светодиод горит желтым.	Литий-ионный аккумулятор и сопряженный с ним электроинструмент не совместимы друг с другом. Обратитесь в сервисный центр Hilti .
Один (1) светодиод мигает красным с высокой частотой.	Литий-ионный аккумулятор заблокирован и его дальнейшее использование невозможно. Обратитесь в сервисный центр Hilti .



3.4.2 Индикаторы состояния аккумулятора

Для запроса состояния аккумулятора удерживайте кнопку разблокировки нажатой в течение более 3 с. Система не распознает потенциальное нарушение работы аккумуляторной батареи вследствие неправильного обращения, например, падения, проколов, внешнего термического воздействия и т. д.

Состояние	Значение
Все светодиоды загораются в виде бегущего огня, после чего один (1) светодиод горит зеленым.	Аккумулятор можно продолжать использовать.
Все светодиоды загораются в виде бегущего огня, после чего один (1) светодиод мигает желтым с высокой частотой.	Не удалось завершить запрос состояния аккумулятора. Повторите процесс или обратитесь в сервисную службу Hilti .
Все светодиоды загораются в виде бегущего огня, после чего один (1) светодиод горит красным.	В случае возможности дальнейшего использования подключенного электроинструмента оставшаяся емкость аккумулятора составляет ниже 50 %. Если подключенный электроинструмент больше использовать невозможно, ресурс аккумулятора исчерпан и аккумулятор следует заменить. Обратитесь в сервисный центр Hilti .

4 Технические данные

4.1 Характеристики изделия

	SC 6WP-22
Поколение изделия	01
Масса	3,3 кг (согласно EPTA-Procedure 01 без аккумулятора)
Масса (с параллельным упором)	0,45 кг
Габаритные размеры (Д×Ш×В)	360 мм × 200 мм × 237 мм
Толщина полотна круга	1 мм ... 1,5 мм
Максимальная глубина реза	57 мм
Номинальная частота вращения на холостом ходу	6 000 об/мин
Номинальное напряжение	21,6 В

4.2 Типы режущих кругов и их назначение

Тип режущего круга	Указание по использованию
Универсальный режущий круг Режущий круг для тонких пропилов/резов	Древесина и древесные материалы
Режущий круг по фиброцементу	Фиброцемент или фиброцементные материалы

4.3 Температура хранения и эксплуатации

Температура хранения	-20 °C ... 70 °C
Температура окружающей среды при эксплуатации	-17 °C ... 60 °C

4.4 Аккумулятор

Рабочее напряжение аккумулятора	21,6 В
Масса аккумулятора	См. в конце этого руководства по эксплуатации
Температура окружающей среды при эксплуатации	-17 °C ... 60 °C



Температура хранения	-20 °C ... 40 °C
Температура аккумулятора в начале зарядки	-10 °C ... 45 °C

4.5 Данные о шуме и вибрации

Приводимые здесь значения уровня звукового давления и вибрации были измерены согласно стандартизированной процедуре измерения и могут использоваться для сравнения электроинструментов между собой. Они также подходят для предварительной оценки вредных воздействий.

Указанные данные применимы к основным областям применения электроинструмента. Однако, если электроинструмент используется для других целей, с другими рабочими (сменными) инструментами или в случае его неудовлетворительного технического обслуживания, данные могут быть иными. Вследствие этого в течение всего периода работы электроинструмента возможно значительное увеличение вредных воздействий.

Для точного определения вредных воздействий следует также учитывать промежутки времени, в течение которых электроинструмент находится в выключенном состоянии или работает вхолостую. Вследствие этого в течение всего периода работы электроинструмента возможно заметное уменьшение вредных воздействий.

Примите дополнительные меры безопасности для защиты пользователя от воздействия возникающего шума и/или вибраций, например: техническое обслуживание электроинструмента и рабочих (сменных) инструментов, сохранение тепла рук, правильная организация рабочих процессов.

Подробную информацию о версиях примененных здесь стандартов **EN 62841** см. в копии декларации соответствия нормам 314.

Данные о шуме

Уровень звуковой мощности (L_{WA})	106 дБ(А)
Погрешность уровня звуковой мощности (K_{WA})	3 дБ(А)
Уровень звукового давления (L_{pA})	98 дБ(А)
Погрешность уровня звукового давления (K_{pA})	3 дБ(А)

Общие значения вибрации

Резка ДСП ($a_{h,w}$)	B 22-55	0,9 м/с ²
Резка алюминиевого листа ($a_{h,m}$)	B 22-55	1,7 м/с ²
Погрешность (К)		1,5 м/с ²

5 Подготовка к работе

ПРЕДУПРЕЖДЕНИЕ

Опасность травмирования вследствие непреднамеренного пуска!

- ▶ Перед установкой аккумулятора убедитесь в том, что соответствующий электроинструмент выключен.
- ▶ Прежде чем приступить к регулировке электроинструмента или замене принадлежностей выньте аккумулятор из электроинструмента.

Соблюдайте указания по технике безопасности и предупреждающие указания, приводимые в данном документе и на изделии.

5.1 Зарядка аккумулятора

1. Перед зарядкой изучите руководство по эксплуатации зарядного устройства.
2. Убедитесь в том, что контакты аккумулятора и зарядного устройства чистые и сухие.
3. Заряжайте аккумулятор только в допущенном к эксплуатации зарядном устройстве. 161



5.2 Установка аккумулятора

ПРЕДУПРЕЖДЕНИЕ

Опасность травмирования вследствие короткого замыкания или падения аккумулятора!

- ▶ Перед установкой аккумулятора убедитесь в чистоте его контактов и контактов электроинструмента.
- ▶ Всегда проверяйте, правильно ли зафиксирован аккумулятор.

1. Перед первым вводом в эксплуатацию полностью зарядите аккумулятор.
2. Прижмите аккумулятор так, чтобы он зафиксировался в аккумуляторном отсеке с характерным щелчком.
3. Проверьте надежность фиксации аккумулятора.

5.3 Извлечение аккумулятора

1. Нажмите кнопку разблокировки аккумулятора.
2. Извлеките аккумулятор из инструмента.

5.4 Защита от падения

ПРЕДУПРЕЖДЕНИЕ

Опасность травмирования вследствие падения электроинструмента и/или принадлежности!

- ▶ Используйте только предусмотренный для этого электроинструмента удерживающий трос **Hilti** для инструментов.
- ▶ Перед каждым использованием проверяйте точку крепления удерживающего троса для инструментов на возможные повреждения.

Соблюдайте национальные директивы по выполнению высотных работ.

Для защиты от падения используйте для этого устройства только удерживающий трос для инструментов **Hilti** #2261971.

- ▶ Закрепите удерживающий трос на устройстве с помощью петли только так, как показано на изображении. Проверьте надежность фиксации.
- ▶ Закрепите крючок-карабин на несущей конструкции. Проверьте надежность фиксации крючка-карабина.

Соблюдайте указания из руководств по эксплуатации удерживающего троса для инструментов **Hilti**.

5.5 Установка погружного блока в монтажное положение

Погружной блок имеет одно монтажное положение, в котором зажимной винт доступен через монтажный проем. Монтажное положение можно регулировать посредством стопорного рычага.

Если откинуть этот рычаг назад (в исходное положение), то погружной блок отойдет назад. Удерживайте пилу за основную рукоятку, чтобы правильно установить погружной блок в исходное положение.

1. Установите пилу так, чтобы ее можно было погрузить на максимальную глубину пропила/реза (например, на краю стола).
2. Откройте монтажную крышку для установки режущего круга.
3. Отрегулируйте указатель регулировки глубины пропила/реза на максимальное значение (1).
4. Откиньте стопорный рычаг вверх (в монтажное положение) (2).
5. Нажмите и удерживайте нажатой кнопку блокировки включения (3), после чего опустите погружной блок в монтажное положение.
 - ▶ Погружной блок фиксируется в монтажном положении со слышимым щелчком.
 - ▶ Зажимной винт находится по центру монтажного проема (его видно).



5.6 Снятие режущего круга

ПРЕДУПРЕЖДЕНИЕ

Опасность ожога и пореза при контакте с режущим кругом, зажимным винтом и зажимным фланцем Следствием могут стать ожоги и порезы.

► При замене рабочего инструмента используйте защитные перчатки.

1. Установите погружной блок в монтажное положение. 165
2. Нажмите и удерживайте кнопку блокировки шпинделя (1).
3. С помощью ключа-шестигранника выкрутите зажимной винт (2).



Ориентируйтесь по стрелке, указывающей направление вращения: отпустите зажимной винт в направлении вращения режущего круга.

4. Извлеките зажимной винт и снимите зажимной фланец.
5. Извлеките режущий круг из защитного кожуха движением вниз.



При необходимости в целях очистки можно снять крепежный фланец.

5.7 Установка режущего круга

Убедитесь, что устанавливаемый режущий круг соответствует техническим требованиям и хорошо заточен. Оптимальная заточка режущего круга является необходимым условием для качественного выполнения реза.

Перед каждым использованием проверяйте соответствие режущего круга разрезаемому материалу.

1. Установите погружной блок в монтажное положение. 165
2. Очистите крепежный и зажимной фланцы (1).
3. Установите крепежный фланец в правильном положении на шпindelь привода.
4. Установите новый режущий круг (2).
 - Соблюдайте направление вращения, указанное стрелкой на режущем круге (3) и на защитном кожухе (4). Указания обеих стрелок должны совпадать.
5. Установите зажимной фланец в правильной позиции.
6. Вкрутите зажимной винт.
7. Нажмите и удерживайте кнопку блокировки шпинделя (5).
8. С помощью ключа-шестигранника затяните зажимной винт (6).



Ориентируйтесь по стрелке, указывающей направление вращения: затяните зажимной винт против направления вращения режущего круга.

9. Проверьте правильность установки режущего круга.
10. Держите электроинструмент за основную рукоятку.
11. Установите стопорный рычаг в исходное положение и отведите погружной блок обратно в исходное положение (7).
12. Закройте монтажную крышку для установки режущего круга.

5.8 Сдвижное пылезащитное окно

Для оптимального пылеудаления всегда сдвигайте пылезащитное окно как можно ближе к разрезаемой детали.

5.9 Регулировка глубины реза



Установленная глубина реза должна быть всегда на 5—10 мм больше толщины разрезаемой детали.

1. Прижмите и удерживайте кнопку фиксации регулировки глубины пропила/реза (1).
2. Сдвиньте ползунок на нужную глубину пропила/реза (2).
 - Указатель глубины пропила/реза оснащен отдельным индикатором для пропилов/резов с использованием направляющей шины (3) и пропилов/резов без направляющей шины (4).



3. Отпустите кнопку фиксации регулировки глубины пропила/реза.

5.10 Регулировка угла реза для выполнения косых резов



- Избегайте различных настроек угла спереди и сзади, не нажимая при затягивании на дополнительную рукоятку или пилу. В противном случае выполнение прямолинейного пропила/реза будет невозможно.

1. Отпустите два зажимных винта регулировки угла пропила (1).
2. Установите пилу на нужный угол пропила/реза.
 - ▶ Для настройки угла -1° или больше 45° (макс. 47°) нажмите и удерживайте нажатой кнопку фиксации (2).
3. Затяните один из двух зажимных винтов для регулировки угла пропила/реза.
4. Затяните расположенный напротив зажимной винт для регулировки угла пропила/реза.

5.11 Регулировка частоты вращения режущего круга

Всегда выставляйте ту частоту вращения, которая подходит для используемого режущего круга и обрабатываемого материала. При правильной настройке частоты вращения предотвращается перегрев пильных зубьев и увеличивается срок службы режущих кругов.

- ▶ Установите регулятор-колесико в соответствующее положение.

5.12 Монтаж параллельного упора

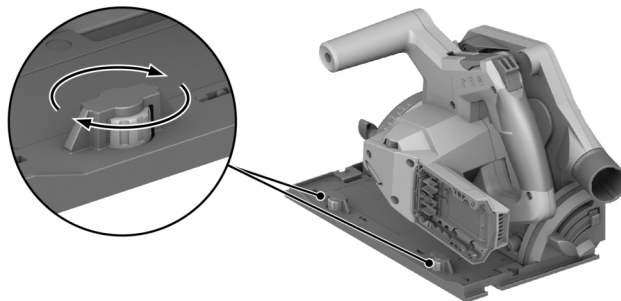


В зависимости от способа установки на изделии параллельный упор может выполнять одну из двух функций:

- Г-образной кромкой вниз:
параллельный упор служит для выполнения одинаковых резов вдоль кромки.
- Г-образной кромкой вверх:
расширение опорной плиты для более стабильного ведения при выполнении резов без направляющей шины.

1. Отпустите оба зажимных винта.
2. Сдвиньте параллельный упор в монтажные захваты опорной плиты.
3. Отрегулируйте параллельный упор на нужное для выполнения пропила/реза расстояние.
 - ▶ Следите за тем, чтобы расстояния были одинаковыми с обеих сторон.
4. Затяните оба зажимных винта.

5.13 Установка пилы на направляющую шину



1. Установите пилу пазом в опорной плите на направляющее ребро.
2. Проверьте зазор между направляющей шиной и опорной плитой.



3. Отрегулируйте зазор с помощью эксцентриковых винтов (1):
 - ▶ Для уменьшения зазора поворачивайте эксцентриковые винты по часовой стрелке.
 - ▶ Для увеличения зазора поворачивайте эксцентриковые винты против часовой стрелки.
4. Устанавливайте зазор на минимальную величину таким образом, чтобы при этом не нарушалось скользящее движение.

6 Управление

Соблюдайте указания по технике безопасности и предупреждающие указания, приводимые в данном документе и на изделии.

6.1 Включение или выключение

Включение

1. Нажмите вверх и удерживайте кнопку блокировки включения.
2. Нажмите и удерживайте нажатым выключатель.
3. Отожмите кнопку блокировки включения.



Кнопка блокировки включения остается разблокированной, пока удерживается нажатым выключатель или погружной блок находится в опущенном положении. Кнопка блокировки включения автоматически вернется в положение блокировки, если погружной блок будет находиться в исходном положении и вы отпустите выключатель.

Выключение

4. Верните погружной блок в исходное положение.
5. Отпустите выключатель.

6.2 Удаление пыли и опилок

- Пиление с использованием **пылесоса**:
подсоедините всасывающий шланг к соединительному патрубку и следуйте указаниям из руководства по эксплуатации пылесоса.
- Пиление с использованием **пылесборного мешка**:
вставьте пылесборный мешок с использованием переходника в патрубок для подсоединения пылесоса.





Электроинструмент можно эксплуатировать и без пылесборной системы. Убедитесь в том, что пыль и опилки могут беспрепятственно отводиться в сторону (выводиться наружу).

6.3 Пиление/резка по разметке



Режьте только ровные детали, которые имеют достаточно большую опорную поверхность для размещения опорной плиты.

1. Зафиксируйте разрезаемую деталь от смещения и разметьте линию пропила/реза (нанесите разметку).
2. Отрегулируйте глубину реза.  166
3. Приставьте пилу адаптивным указателем пропила/реза к линии разметки.
4. Включите пилу.  168
 - ▶ Погружение пилы возможно только при разблокированном выключателе.
5. Погрузите погружной блок в разрезаемую деталь до упора (1).
6. Проведите пилу через разрезаемую деталь с подходящей скоростью.
7. Отведите погружной блок с вращающимся режущим кругом в исходное положение (2).



Этим предотвращается заклинивание режущего круга в разрезаемой детали.

8. Выключите пилу, как только погружной блок окажется в исходном положении.  168



6.4 Выполнение погружного пропила/реза

1. Отрегулируйте глубину реза. 166
2. Приставьте пилу к разрезаемой детали.
3. Включите пилу. 168
 - ▶ Погружение пилы возможно только при разблокированном выключателе.
4. Погрузите пилу в разрезаемую деталь до упора.
5. Проведите пилу через разрезаемую деталь с подходящей скоростью.
6. Выведите пилу из разрезаемой детали.
7. Выключите пилу, как только погружной блок окажется в исходном положении. 168

6.5 Выполнение косых резов (резов под углом)

Пила оснащена адаптивным указателем пропила/реза, который автоматически корректируется в соответствии с установленным углом пропила/реза. Адаптивный указатель пропила/реза функционирует только для пропилов/резов, которые выполняются без направляющей шины. В случае выполнения резов с направляющей шиной линия пропила/реза вследствие конструктивных особенностей не зависит от установленного угла пропила/реза.

1. Выставьте угол реза для выполнения косых резов. 167
2. Приставьте пилу адаптивным указателем пропила/реза к линии разметки.
3. Включите пилу. 168
4. Погрузите погружной блок в разрезаемую деталь.
5. Ведите пилу вдоль направляющей шины через разрезаемую деталь.

6.6 Резы/пропилы с направляющей шиной **10**

1. Зафиксируйте направляющую шину двумя резьбовыми струбцинами.
2. Установите опорную плиту пазом на направляющее ребро шины.
3. Выставьте угол реза для выполнения косых резов. 167
4. Отрегулируйте глубину реза. 166
5. Включите пилу. 168
6. Погрузите погружной блок в разрезаемую деталь.
7. Ведите пилу вдоль направляющей шины через разрезаемую деталь.

7 Уход и техническое обслуживание

ПРЕДУПРЕЖДЕНИЕ

Опасность травмирования при установленном аккумуляторе !

- ▶ Перед проведением любых работ по уходу и обслуживанию всегда извлекайте аккумулятор!

Уход за электроинструментом

- Удаляйте налипшую грязь с осторожностью.
- Осторожно очищайте вентиляционные прорезы (при наличии) сухой мягкой щеткой.
- Очищайте корпус только слегка увлажненной тканью. Не используйте средства по уходу с содержанием силикона, поскольку они могут повредить пластиковые детали.
- Для очистки контактов электроинструмента используйте чистую сухую тряпку.

Уход за литий-ионными аккумуляторами

- Категорически запрещается использовать аккумулятор с забитыми вентиляционными прорезями. Осторожно очистите вентиляционные прорезы сухой мягкой щеткой.
- Не допускайте чрезмерного загрязнения или загрязнения аккумулятора. Категорически запрещается подвергать аккумулятор чрезмерному воздействию влаги (например, опускать его в воду или оставлять под дождем).

Если аккумулятор промокнет, обращайтесь с ним, как с поврежденным. Поместите его в контейнер из негорючего материала и обратитесь в сервисную службу **Hilti**.



- Аккумулятор должен быть чистым, без следов масла и смазки. Не допускайте чрезмерного скопления пыли или грязи на аккумуляторе. Очищайте аккумулятор сухой мягкой кистью или чистой и сухой тряпкой. Не используйте средства по уходу с содержанием силикона, поскольку они могут повредить пластиковые детали.

Не прикасайтесь к контактам аккумулятора и не удаляйте с них смазку, нанесенную на заводе.

- Очищайте корпус только слегка увлажненной тканью. Не используйте средства по уходу с содержанием силикона, поскольку они могут повредить пластиковые детали.

Техническое обслуживание

- Регулярно проверяйте все видимые части электроинструмента на отсутствие повреждений, а элементы управления — на исправное функционирование.
- При повреждениях и/или функциональных сбоях не используйте электроинструмент. Незамедлительно сдайте его для ремонта в сервисный центр **Hilti**.
- После ухода за электроинструментом и его технического обслуживания установите все защитные приспособления на место и проверьте их исправное функционирование.



Для обеспечения безопасной эксплуатации используйте только оригинальные запасные части и расходные материалы. Допущенные **Hilti** запасные части, расходные материалы и принадлежности для этого электроинструмента вы можете найти в **Hilti Store** или на: www.hilti.group

7.1 Очистка защитных приспособлений

1. Осторожно очистите защитные приспособления сухой щеткой.
2. Удалите отложения и опилки внутри защитных приспособлений с помощью подходящего инструмента.

7.2 Очистка канала для отвода опилок

1. Если вы подключали к соединительному патрубку пылесос, то отсоедините от патрубка всасывающий шланг пылесоса.
2. Очистите канал для отвода опилок с помощью щетки.

8 Транспортировка и хранение аккумуляторных инструментов и аккумуляторов

Транспортировка



ОСТОРОЖНО

Непреднамеренное включение в ходе транспортировки !

- ▶ При транспортировке своих электроинструментов всегда отсоединяйте от них аккумуляторы!
- ▶ Извлеките аккумулятор(ы).
- ▶ Категорически запрещается транспортировать аккумуляторы без упаковки (бестарным способом). Во время транспортировки необходимо принять меры по защите аккумуляторов от сильных ударов и вибраций и изолировать их от любых токопроводящих материалов или других аккумуляторов, чтобы не допустить их контакта с клеммами других аккумуляторов и, как следствие этого, короткого замыкания. **Соблюдайте действующие предписания по транспортировке аккумуляторов.**
- ▶ Запрещается пересылать аккумуляторы по почте. Обратитесь в транспортно-экспедиционную компанию, если вы хотите переслать поврежденные аккумуляторы.
- ▶ Перед каждым использованием, а также перед длительной транспортировкой и после нее проверьте электроинструмент и аккумуляторы на отсутствие повреждений.

Хранение



ПРЕДУПРЕЖДЕНИЕ

Непреднамеренное повреждение вследствие неисправных или протекающих аккумуляторов !

- ▶ При хранении своих электроинструментов всегда отсоединяйте от них аккумуляторы!
- ▶ По возможности храните фонарь и аккумуляторы в сухом и прохладном месте. Соблюдайте ограничения по температуре, приводимые в технических характеристиках.
- ▶ Не храните аккумуляторы на зарядном устройстве. После зарядки всегда извлекайте аккумулятор из зарядного устройства.
- ▶ Никогда не оставляйте аккумуляторы на солнце, на нагревательных/отопительных элементах или за стеклом.
- ▶ Храните фонарь и аккумуляторы в недоступном для детей и посторонних лиц месте.



- ▶ Перед каждым использованием, а также перед длительным хранением и после него проверяйте электроинструмент и аккумуляторы на отсутствие повреждений.

9 Помощь при неисправностях

При возникновении любых неисправностей обращайтесь внимание на индикацию состояния аккумулятора. См. главу **Индикации состояния литий-ионного аккумулятора**.



В случае неисправностей, которые не указаны в этой таблице или которые вы не можете устранить самостоятельно, обращайтесь в ближайший сервисный центр **Hilti**.

Неисправность	Возможная причина	Решение
Не включается/заблокирован выключатель.	Неисправность отсутствует (функция системы безопасности).	▶ Нажмите кнопку блокировки включения.
Резко падает частота вращения.	Разрядите аккумулятор.	▶ Зарядите аккумулятор.
	Чрезмерное усилие подачи.	▶ Уменьшите усилие подачи и снова включите пилу.
Отсутствует/пониженная мощность всасывания	Канал для отвода опилок забит.	▶ Очистите канал для отвода опилок. 170
После блокировки режущего круга пила автоматически не запускается.	Сработала система защиты от перегрузки (электродвигателя).	▶ Нажмите кнопку блокировки включения и выключатель еще раз.
При установке аккумулятора не слышно характерного щелчка.	Грязь на элементах фиксации аккумулятора.	▶ Очистите фиксирующий выступ и установите аккумулятор повторно.
Пила вибрирует сильнее, чем обычно.	Режущий круг установлен неправильно.	▶ Демонтируйте режущий круг и установите его снова.
Светодиодные индикаторы аккумулятора ничего не показывают	Дефект аккумулятора	▶ Обратитесь в сервисный центр Hilti .

10 Утилизация



ПРЕДУПРЕЖДЕНИЕ

Опасность травмирования вследствие неправильной утилизации! Опасность для здоровья вследствие выхода газов или жидкостей.

- ▶ Не пересылайте поврежденные аккумуляторы!
- ▶ Закрывайте аккумуляторные контакты не проводящим ток материалом, чтобы избежать коротких замыканий.
- ▶ Утилизируйте аккумуляторы так, чтобы исключить их попадание в руки детей.
- ▶ Утилизируйте аккумулятор через ближайший **Hilti Store** или обратитесь в специализированную фирму по утилизации.



Большинство материалов, из которых изготовлены устройства **Hilti**, подлежат вторичной переработке. Перед утилизацией следует тщательно рассортировать материалы (для удобства их последующей переработки). Во многих странах фирма **Hilti** уже организовала прием бывших в использовании электрических и электронных устройств (инструментов, приборов) для утилизации. Дополнительную информацию по этому вопросу можно получить в отделе по обслуживанию клиентов или у консультанта по продажам фирмы **Hilti**.



- ▶ Не выбрасывайте электрические инструменты, электронные устройства/приборы и аккумуляторы вместе с обычным мусором!



11 Гарантія виробителя

- ▶ С питаннями по поводу гарантійних умов обращайтесь в ближайшее представительство **Hilti**.

12 Додаткова інформація

Додаткову інформацію относительно управління, технічного оснащення, захисту навколишнього середовища та повторного використання см. по наступній посиланні: qr.hilti.com/manual?id=2276609&id=2276671

Ця посилання також приводиться в кінці документа в вигляді QR-кода.

Оригінальна інструкція з експлуатації

1 Інформація щодо інструкції з експлуатації

1.1 Про цю інструкцію з експлуатації

- **Попередження!** Перед використанням продукту слід обов'язково прочитати та зрозуміти інструкцію з експлуатації, що додається, у тому числі інструкції, вказівки з техніки безпеки, попереджувальні вказівки, ілюстрації та технічні характеристики. Зокрема, ознайомтеся з усіма інструкціями, вказівками з техніки безпеки, попереджувальними вказівками, ілюстраціями, технічними характеристиками, а також інформацією щодо компонентів та функцій. Недотримання цієї вимоги може призвести до ризику ураження електричним струмом, виникнення пожежі та/або тяжких травм. Зберігайте інструкцію з експлуатації, зокрема всі інструкції, вказівки з техніки безпеки та попереджувальні вказівки, щоб можна було звернутися до них у майбутньому.
- **HILTI** Інструменти призначені для професійного використання, а тому їхню експлуатацію, технічне обслуговування та ремонт слід доручати лише авторизованому персоналу зі спеціальною підготовкою. Цей персонал повинен бути спеціально проінструктований про можливі ризики. Інструмент та допоміжне приладдя можуть стати джерелом небезпеки у разі їхнього неправильного застосування некваліфікованим персоналом або у разі використання не за призначенням.
- Інструкція з експлуатації, що додається до продукту, відповідає стану науки і техніки, актуальному на момент її друку. Більш актуальну версію інструкції з експлуатації можна знайти в інтернеті на сторінці з інформацією про продукти Hilti. Для цього перейдіть за посиланням або QR-кодом у цій інструкції з експлуатації, що позначені символом .
- У разі зміни власника передавайте продукт лише разом із цією інструкцією з експлуатації.

1.2 Пояснення символів

1.2.1 Попереджувальні вказівки

Попереджувальні вказівки інформують користувача про фактори небезпеки, пов'язані із застосуванням інструмента. Використовуються такі сигнальні слова:

НЕБЕЗПЕКА

НЕБЕЗПЕКА !

- ▶ Указує на безпосередню небезпеку, що може призвести до отримання тяжких тілесних ушкоджень або навіть до смерті.

ПОПЕРЕДЖЕННЯ

ПОПЕРЕДЖЕННЯ !

- ▶ Указує на потенційно небезпечну ситуацію, яка може призвести до отримання тяжких тілесних ушкоджень або навіть смерті.

ОБЕРЕЖНО

ОБЕРЕЖНО !

- ▶ Указує на потенційно небезпечну ситуацію, яка може призвести до отримання тілесних ушкоджень або до матеріальних збитків.



1.2.2 Символи в інструкції з експлуатації

У цій інструкції з експлуатації використовуються такі символи:

	Дотримуйтеся вказівок, наведених в інструкції з експлуатації
	Указівки щодо експлуатації та інша корисна інформація
	Поводження з матеріалами, придатними для вторинної переробки
	Не викидайте електроінструменти і акумуляторні батареї у баки для побутового сміття
	Hilti Літій-іонна акумуляторна батарея
	Hilti Зарядний пристрій

1.2.3 Символи на ілюстраціях

На ілюстраціях використовуються такі символи:

	Цифрами позначаються відповідні ілюстрації, наведені на початку цієї інструкції з експлуатації.
	Нумерація відображає послідовність робочих кроків на ілюстраціях та може відрізнятися від нумерації у тексті.
	Номера позицій, наведені на оглядовій ілюстрації , відповідають номерам у легенді, що представлена у розділі « Огляд продукту ».
	Цей символ позначає аспекти, на які слід звернути особливу увагу під час застосування інструмента.

1.3 Символи, що обумовлені типом інструмента

1.3.1 Загальні символи

Символи, що пов'язані з виробом.

n_0	Номінальна частота обертання під час холостого ходу
	Постійний струм
	Стрілка, що позначає напрям обертання
RPM	Оберти на хвилину
\varnothing	Діаметр
	Пилальний диск
	Інструмент підтримує бездротову передачу даних та є сумісним із платформами iOS та Android.
	Якщо ця мітка проставлена на інструменті, це означає, що інструмент був сертифікований цим органом сертифікації для ринку США й Канади відповідно до стандартів, що застосовуються.
Li-Ion	Літій-іонна акумуляторна батарея
	Ніколи не використовуйте акумуляторну батарею у якості ударного інструмента.
	Не допускайте падіння акумуляторної батареї. Не використовуйте акумуляторну батарею, яка зазнала ударного навантаження або була пошкоджена іншим чином.

1.3.2 Наказові знаки

На інструменті наведені такі наказові знаки:





2 Безпека

2.1 Загальні вказівки з техніки безпеки при роботі з електроінструментами

⚠ ПОПЕРЕДЖЕННЯ! Уважно прочитайте усі вказівки та інструкції з техніки безпеки, ознайомтеся з малюнками та технічними даними цього електроінструмента. Щонайменше недотримання наведених нижче вказівок може призвести до ураження електричним струмом, займання та/або отримання тяжких травм.

Збережіть всі інструкції та вказівки з техніки безпеки – вони можуть знадобитися Вам у майбутньому.

Термін «електроінструмент», який використовується у вказівках з техніки безпеки, позначає як електроінструменти, що працюють від електричної мережі (із кабелем живлення), так і електроінструменти, що працюють від акумуляторної батареї (без кабелю живлення).

Безпека на робочому місці

- ▶ **Дбайте про чистоту та достатнє освітлення робочого місця.** Безлад на робочому місці та недостатнє освітлення можуть стати причиною нещасних випадків.
- ▶ **Не працюйте з електроінструментом у вибухонебезпечному середовищі, що містить легкозаймисті рідини, гази або пил.** Під час роботи електроінструментів утворюються іскри, від яких можуть зайнятися легкозаймисті випари або пил.
- ▶ **Подбайте про те, щоб під час використання електроінструмента поблизу не було дітей та сторонніх осіб.** Щонайменше відволікання може призвести до втрати контролю над інструментом.

Електрична безпека

- ▶ **Штепсельна вилка електроінструмента повинна підходити до розетки живлення. Забороняється вносити зміни до конструкції штепсельної вилки. Не дозволяється застосовувати перехідні штепсельні вилки в електроінструментах із захисним заземленням.** У разі використання оригінальних штепсельних вилок і відповідних розеток знижується ризик ураження електричним струмом.
- ▶ **Під час роботи намагайтеся не торкатися заземлених поверхонь, наприклад труб, радіаторів опалення, печей та холодильників.** Якщо Ваше тіло перебуває в контакт з системою заземлення, існує підвищений ризик ураження електричним струмом.
- ▶ **Захищайте електроінструменти від дощу та вологи.** У разі проникнення води в електроінструмент підвищується ризик ураження електричним струмом.
- ▶ **Використовуйте з'єднувальний кабель тільки за призначенням, не переносьте за нього електроінструмент, не користуйтеся ним для підвішування інструмента та не тримайтеся за нього, дістаючи штепсельну вилку з розетки. Оберегайте з'єднувальний кабель від впливу високих температур, від дії мастил та контакту з гострими кромками або рухомими частинами інструмента.** Пошкоджені або заплутані з'єднувальні кабелі підвищують ризик ураження електричним струмом.
- ▶ **Працюючи з електроінструментом під відкритим небом, використовуйте лише подовжувальний кабель, придатний для зовнішнього застосування.** Використання подовжувального кабелю, призначеного для зовнішнього застосування, зменшує ризик ураження електричним струмом.
- ▶ **Якщо неможливо уникнути експлуатації електроінструмента за умов підвищеної вологості, використовуйте автомат захисту від струму витоку.** Використання автомата захисту від струму витоку зменшує ризик ураження електричним струмом.

Безпека персоналу

- ▶ **Будьте уважними, зосередьтеся на виконуваній операції, до роботи з електроінструментом ставтеся серйозно. Не користуйтеся електроінструментом, якщо Ви втомлені або перебуваєте під дією наркотичних речовин, алкоголю або лікарських засобів.** Під час роботи з електроінструментом не відволікайтеся ні на мить, оскільки це може призвести до отримання серйозних травм.
- ▶ **Використовуйте засоби індивідуального захисту і завжди надягайте захисні окуляри.** Використання засобів індивідуального захисту, наприклад респіратора, захисного взуття на нековзній підшві, захисного шолома або шумозахисних навушників – залежно від різновиду електроінструмента та особливостей його застосування – зменшує ризик травмування.
- ▶ **Уникайте випадкового вмикання електроінструмента. Переконайтеся в тому, що електроінструмент вимкнений, перш ніж вставляти штепсельну вилку в розетку живлення та/або приєднувати акумулятор, піднімати електроінструмент або переносити його.** Якщо під час пе-



ренесення електроінструмента тримати палець на вимикачі або приєднувати інструмент до джерела живлення увімкненим, це може призвести до нещасного випадку.

- ▶ **Перш ніж вмикати електроінструмент, від'єднайте від нього все налагоджувальне приладдя або гайкові ключі.** Приладдя або ключ, що знаходяться в обертовому вузлі інструмента, можуть стати причиною отримання травм.
- ▶ **Уникайте виконання роботи в незручній позі.** Під час виконання робіт ставайте в стійку позу і намагайтеся повсякчас утримувати рівновагу. Це дозволить Вам більш упевнено контролювати електроінструмент у разі виникнення несподіваних обставин.
- ▶ **Надягайте відповідний робочий одяг.** Не надягайте для роботи занадто просторий одяг та прикраси. Слідкуйте за тим, щоб волосся, одяг та робочі рукавиці знаходилися подалі від обертових частин інструмента. Просторий одяг, прикраси або довге волосся можуть бути захоплені рухомими частинами інструмента.
- ▶ **Якщо передбачена можливість установа системи пиловидалення та пилозбірників, обов'язково переконайтеся в тому, що вони правильно приєднані й використовуються належним чином.** Застосування системи видалення пилу дозволяє зменшити негативний вплив пилу на персонал.
- ▶ **Не можна нехтувати правилами безпеки під час роботи з електроінструментами навіть у тому випадку, коди Ви добре знайомі з тим чи іншим електроінструментом.** Якщо користуватися інструментом необережно, лише малої частки секунди може бути достатньо для отримання тяжких травм.

Використання електроінструмента та належний догляд за ним

- ▶ **Не допускайте перенавантаження інструмента.** Завжди використовуйте електроінструмент, призначений для виконання відповідної роботи. При використанні належного електроінструмента забезпечуються більш висока якість та безпека виконання робіт у вказаному діапазоні продуктивності.
- ▶ **Не використовуйте електроінструмент із пошкодженням вимикачем.** Електроінструмент, який неможливо вмикати або вимикати, є небезпечним і підлягає ремонту.
- ▶ **Перш ніж розпочинати налаштування інструмента, виконувати заміну приладдя або робити перерву в роботі, не забудьте вийняти штепсельну вилку з розетки та/або вийняти з інструмента змінну акумуляторну батарею.** Такий запобіжний захід допоможе уникнути випадкового вмикання електроінструмента.
- ▶ **Електроінструменти, що не використовуються, зберігайте в недоступному для дітей місці.** Не дозволяйте користуватися інструментом особам, які не ознайомлені з ним або не прочитали ці вказівки. У руках недосвідчених людей електроінструменти являють собою серйозну небезпеку.
- ▶ **Електроінструменти та їх приладдя потребують дбайливого догляду.** Ретельно перевіряйте, чи бездоганно працюють та чи не заклинюють рухомі частини, чи не зламалися або не зазнали інших пошкоджень деталі, від яких залежить справна робота електроінструмента. Перед початком роботи з інструментом пошкоджені деталі слід відремонтувати. Багатьох нещасних випадків можна уникнути за умови належного технічного обслуговування електроінструментів.
- ▶ **Слідкуйте за тим, щоб ріжучі інструменти завжди залишалися чистими та належним чином заточеними.** Дбайливо доглянутий ріжучий інструмент із гострими різальними кромками не так часто заклинюється, і з ним легше працювати.
- ▶ **Під час експлуатації електроінструмента, приладдя до нього, робочих інструментів тощо дотримуйтеся наведених у цьому документі вказівок.** При цьому завжди враховуйте умови в місці виконання робіт та дії, яких вимагає поставлене завдання. Використання електроінструментів не за призначенням може призвести до виникнення небезпечних ситуацій.
- ▶ **Слідкуйте за тим, щоб поверхні рукояток були чистими та сухими, та не допускайте їхнього забруднення мастилом.** Якщо поверхні рукояток слизькі, це унеможливіло впевнене контролювання електроінструмента у непередбачених ситуаціях.

Використання акумуляторного інструмента та належний догляд за ним

- ▶ **Для заряджання акумуляторних батарей застосовуйте лише зарядні пристрої, рекомендовані виробником.** Зарядний пристрій, придатний для заряджання акумуляторних батарей певного типу, може спричинити пожежу, якщо його застосовувати для заряджання акумуляторних батарей інших типів.
- ▶ **Для живлення електроінструментів застосовуйте лише спеціально призначені для цього акумуляторні батареї.** Застосування інших акумуляторних батарей може призвести до отримання травм і виникнення пожежі.
- ▶ **Акумуляторну батарею, яка не використовується, тримайте подалі від канцелярських скріпок, монет, ключів, цвяхів, гвинтів та інших дрібних металевих предметів, які могли б спричинити коротке замикання її контактів.** Коротке замикання контактів акумуляторної батареї може призвести до отримання опіків або до виникнення пожежі.



- ▶ У разі неправильного застосування з акумуляторної батареї може пролитися рідина. Уникайте контакту з нею. У разі випадкового контакту цієї рідини зі шкірою негайно промийте уражене місце достатньою кількістю води. Якщо рідина потрапила в очі, рекомендується додатково звернутися по лікарську допомогу. Пролита з акумуляторної батареї рідина може призвести до подразнення шкіри або отримання опіків.
- ▶ Не використовуйте акумуляторну батарею, якщо вона пошкоджена або якщо її конструкція була змінена. Пошкоджені або модифіковані акумуляторні батареї вкрай ненадійні та становлять небезпеку пожежі, вибуху або травмування.
- ▶ Не піддавайте акумуляторну батарею впливу вогню або високих температур. Вогонь або температури понад 130 °C (265 °F) можуть спричинити вибух.
- ▶ Дотримуйтеся вказівок щодо заряджання. Ніколи не заряджайте акумуляторну батарею або акумуляторний інструмент в умовах, що виходять за межі температурного діапазону, зазначеного в інструкції з експлуатації. Неналежне заряджання або заряджання за межами зазначеного температурного діапазону може призвести до руйнування акумуляторної батареї та підвищує ризик займання.

Сервісне обслуговування

- ▶ Доручайте ремонт електроінструмента лише кваліфікованому персоналу зі спеціальною підготовкою за умови використання тільки оригінальних запасних частин. Це забезпечить функціональність інструмента.
- ▶ Забороняється здійснювати технічне обслуговування пошкоджених акумуляторних батарей. У будь-яких випадках технічне обслуговування акумуляторних батарей повинен здійснювати виробник або уповноважена служба технічного обслуговування.

2.2 Вказівки з техніки безпеки для всіх пилок

Процес пиляння

- ▶ **⚠ НЕБЕЗПЕКА:** Не наближайте руки до робочої зони та до пиляльного диска. Утримуйте інструмент другою рукою за додаткову рукоятку або за корпус двигуна. Якщо тримати інструмент обома руками, виключається ризик їх травмування пиляльним диском.
- ▶ Не беріться за нижню частину оброблюваної деталі. Захисний кожух не може захистити Вас від пиляльного диска під оброблюваною деталлю.
- ▶ Відрегулюйте глибину пропилю залежно від товщини оброблюваної деталі. Пиляльний диск повинен виступати 3-під нижньої поверхні деталі менше ніж на висоту зубця диска.
- ▶ Не утримуйте розпилювану деталь у руці та не підпирайте її ногою. Закріпіть оброблювану деталь на стійкій основі. Слід надійно закріплювати оброблювану деталь, щоб уникнути її контакту з тілом працівника, а також мінімізувати ймовірність заклинювання пиляльного диска та втрати контролю за інструментом.
- ▶ Утримуйте електроінструмент тільки за ізольовані поверхні рукояток, тому що під час роботи він може випадково натрапити на приховану електропроводку. У разі контакту з електричним дротом незахищені металеві частини електроінструмента також потрапляють під напругу, що може призвести до враження електричним струмом.
- ▶ Під час виконання подовжного розпилу завжди використовуйте упор або напрямну. Це дозволить покращити точність розпилу та зменшити вірогідність защемлення пиляльного диска.
- ▶ Завжди використовуйте пиляльні диски належного розміру з відповідним посадочним отвором (наприклад, зірподібним або круглим). Якщо пиляльний диск не відповідає крипільному елементу пилки, він обертатиметься нерівномірно, що може призвести до втрати контролю над інструментом.
- ▶ Ніколи не використовуйте пошкоджені або неправильно підібрані шайби або кріпильні гвинти для пиляльного диска. Шайби та кріпильні гвинти, які використовуються із пиляльними дисками, були спеціально розроблені для конкретної пилки, що дозволяє забезпечити оптимальну потужність та експлуатаційну надійність інструмента.

Віддача: причини і відповідні вказівки з техніки безпеки

- Віддача являє собою несподівану для працівника реакцію, що виникає внаслідок заїдання, заклинювання або неправильного вирівнювання пиляльного диска та призводить до того, що інструмент неконтрольовано відскакує від оброблюваної деталі в напрямку користувача;
- якщо пиляльний диск заїдає або заклинюється в пропили та з цієї причини повністю зупиняється, то за рахунок зусиль двигуна пилку ривком викидає в напрямку користувача;
- якщо пиляльний диск перекошений або неправильно вирівняний у пропили, зубці задньої кромки пиляльного диска можуть зачепитися за поверхню оброблюваної деталі, внаслідок чого пиляльний диск із силою викидається з пропилю й ривком зміщується в напрямку користувача.



Віддача є наслідком неправильного або помилкового використання пилки. За умови дотримання відповідних заходів безпеки, що перераховані нижче, цього явища можна уникнути.

- ▶ **Надійно тримайте пилку обома руками, вибравши таке положення тіла і рук, у якому Ви зможете амортизувати віддачу інструмента.** Завжди перебувайте збоку від пиляльного диска – ніколи не розміщуйте його безпосередньо перед собою. У разі виникнення віддачі циркулярну пилку може з силою відкинути назад, однак оператор може контролювати віддачу, вживши відповідних запобіжних заходів.
- ▶ **Якщо пиляльний диск защемлений або якщо Ви перериваєте роботу, вимкніть пилку та надійно утримуйте її в оброблюваному матеріалі, доки пиляльний диск не зупиниться повністю.** Поки пиляльний диск продовжує обертатись, не тягніть пилку до себе та не намагайтеся дістати її з оброблюваної деталі – інакше це може призвести до віддачі. З'ясуйте й усуньте причину защемлення пиляльного диска.
- ▶ **Перед повторним вмиканням пилки, яка залишилася в оброблюваній деталі, відцентруйте пиляльний диск у пропили та перевірте, чи не застрягли зубці пилки в деталі.** Якщо пиляльний диск заклинило, то повторне вмикання інструмента може спричинити віддачу або із силою викинути диск із пропилу.
- ▶ **Під плити великого розміру встановлюйте підпірки, щоб зменшити ризик віддачі в разі защемлення пиляльного диска.** Плити великого розміру можуть прогинатися під дією власної ваги. Такі плити необхідно підтримувати з обох боків, як поблизу місця пропили, так і біля країв.
- ▶ **Не використовуйте затуплені або пошкоджені пиляльні диски.** Пиляльні диски із затупленими або неправильно розведеними зубцями сприяють появі сильного тертя у занадто вузькому пропили, що призводить до защемлення дисків та виникнення віддачі.
- ▶ **Перш ніж починати роботу, затягніть пристрої для встановлення кута та глибини різання.** Якщо їх налаштування зміняться під час роботи, це може призвести до защемлення пиляльного диска та до віддачі.
- ▶ **Будьте надзвичайно обережні під час пиляння стін або інших об'єктів, протилежну сторону яких Ви не можете бачити.** Під час урізного пиляння може статися віддача через блокування пиляльного диска прихованими у матеріалі об'єктами.

Функція захисного кожуха

- ▶ **Кожен раз перед використанням інструмента перевіряйте, чи належним чином закривається захисний кожух.** Пилкою заборонено користуватися, якщо захисний кожух рухається недостатньо вільно або закривається не відразу. Ніколи не затискайте й не закріплюйте захисний кожух; інакше пиляльний диск залишатиметься незахищеним. У разі випадкового падіння пилки на підлогу захисний кожух може деформуватися. Переконайтеся в тому, що захисний кожух вільно рухається і не торкається пиляльного диска та інших частин інструмента при всіх можливих налаштуваннях кута та глибини різання.
- ▶ **Регулярно перевіряйте стан та справну роботу пружини захисного кожуха.** Перш ніж розпочинати роботу, виконайте технічне обслуговування інструмента, якщо його захисний кожух і пружина працюють неналежним чином. Через пошкодження деталей, накопичення липкого бруду або тирси нижній захисний кожух буде спрацьовувати із затримкою.
- ▶ **Під час виконання урізного пиляння не під прямим кутом зафіксуйте опорну плиту пилки, щоб вона не змістилася вбік.** Бокове зміщення може викликати защемлення пиляльного диска й призвести до віддачі.
- ▶ **Не кладіть пилку на верстат або на підлогу, якщо пиляльний диск не прикритий захисним кожухом.** Незахищений пиляльний диск, що продовжує обертатися за інерцією, рухається проти напрямку пиляння і пиляє все, на що натрапить. Враховуйте при цьому час роботи пилки за інерцією.

2.3 Додаткові вказівки з техніки безпеки

Безпека персоналу

- ▶ Вносити будь-які зміни до конструкції електроінструмента або приладдя заборонено.
- ▶ Під час роботи з електроінструментом використовуйте захисні пристрої, що входять до комплексу постачання.
- ▶ Якщо Ви експлуатуєте електроінструмент без системи видалення пилу, то під час виконання робіт в умовах підвищеного пилоутворення необхідно завжди користуватися легким респіратором.
- ▶ Завжди міцно тримайте електроінструмент обома руками за передбачені для цього рукоятки.
- ▶ Використовуйте захисні навушники. Тривалий вплив шуму може призвести до втрати слуху.
- ▶ Щоб під час роботи у Вас не затерпали руки, робіть перерви та виконуйте вправи на розслаблення і розминання пальців з метою покращення кровообігу в них.
- ▶ Використання електроінструмента вимагає певної фізичної сили. Крім того, інструмент не призначений для використання особами, які не пройшли належний інструктаж.



- ▶ Вмикайте електроінструмент лише на робочому місці та тільки після того, як Ви встановили його у робоче положення.
- ▶ Від'єднайте акумуляторну батарею у разі виникнення проблем з електроінструментом, під час заміни робочих інструментів або приладдя, а також на час зберігання або транспортування електроінструмента.
- ▶ Ніколи не працюйте з електроінструментом над головою.
- ▶ Не гальмуйте електроінструмент шляхом бокового притискання його пиляльного диска.
- ▶ Перед установленням акумуляторної батареї переконайтеся, що пилка вимкнена, а функція блокування від увімкнення активована. Це допоможе уникнути травмування внаслідок непередбаченого увімкнення електроінструмента.
- ▶ Не торкайтеся затискного фланця та затискного гвинта на увімкненому електроінструменті.
- ▶ Перш ніж відкласти електроінструмент у бік, зачекайте, доки пиляльний диск не зупиниться повністю.
- ▶ Перш ніж замінювати робочий інструмент, зачекайте, доки електроінструмент не охолоне.
- ▶ Ніколи не натискайте на кнопку блокування шпінделя під час обертання пиляльного диска.
- ▶ Не направляйте електроінструмент на інших людей.
- ▶ Функція блокування від увімкнення завжди має бути активована, коли Ви замінюєте приладдя або акумуляторну батарею, готуєте електроінструмент до транспортування або ставите його на зберігання.
- ▶ Завжди використовуйте пиляльний диск, який відповідає оброблюваному матеріалу та його властивостям.
- ▶ Ніколи не встановлюйте на цей електроінструмент будь-які шліфувальні диски.
- ▶ Підводьте електроінструмент до оброблюваної деталі тільки в увімкненому стані.
- ▶ Вибираючи зусилля подачі, враховуйте параметри пиляльного диска та властивості оброблюваного матеріалу. Так Ви уникнете блокування пиляльного диска, яке може призвести до віддачі.
- ▶ Уникайте перегрівання кінців зубців пилки.
- ▶ Гранично припустима частота обертання змінного робочого інструмента не повинна бути меншою за максимальну частоту обертання, зазначену на електроінструменті. Приладдя, що обертається з частотою більше припустимої, може зруйнуватися або відлетіти.
- ▶ Не виконуйте роботу у значно запиленому середовищі.
- ▶ Пил, який утворюється під час шліфування, обробки наждачним папером, різання та свердління певних матеріалів, може містити небезпечні хімічні речовини. Деякі приклади таких матеріалів: свинець або фарби на основі свинцю; цегла, бетон та інші матеріали, що використовуються для спорудження стін, зокрема природний камінь та інші речовини, які містять силікати; певні види деревини, зокрема дуб або бук, а також деревина, яка пройшла хімічну обробку; азбест або матеріали, що містять азбест. Визначайте рівень впливу пилу на оператора та осіб, які знаходяться поблизу, приймаючи до уваги клас небезпеки оброблюваних матеріалів. Вживайте потрібних заходів, щоб утримувати вплив пилу на мінімально можливому рівні, зокрема використовуйте систему видалення пилу або відповідний респіратор. До загальних заходів, спрямованих на зменшення впливу пилу, належать такі:
 - ▶ виконання робіт на добре провітрюваній ділянці;
 - ▶ уникнення тривалого контакту з пилом;
 - ▶ недопущення контакту пилу з обличчям та тілом;
 - ▶ використання захисного одягу, а також миття засмічених ділянок водою з милом.
- ▶ Оператор виробу та інші особи, які перебувають у робочому середовищі, мають завжди користуватися респіратором, який відповідає типу виконуваної роботи.
- ▶ Під час роботи з виробом оператор та інші особи у робочому середовищі мають також використовувати захисні окуляри, захисний шолом, захисні навушники, захисні рукавиці та захисне взуття.
- ▶ Перш ніж розпочинати роботу, з'ясуйте клас небезпеки пилу, що при цьому буде утворюватися. Використовуйте будівельний пилосос затвердженого класу захисту, що відповідає місцевим вимогам щодо захисту від пилу.
- ▶ Дотримуйтеся національних вимог з охорони праці.
- ▶ Використовуйте затискний пристрій або інші належні засоби, які дозволяють надійно зафіксувати оброблювану заготовку у стійкому положенні. Якщо утримувати оброблювану заготовку рукою або іншими частинами тіла, це не забезпечить її належну фіксацію, внаслідок чого Ви можете втратити контроль над інструментом. Стороннім особам також забороняється утримувати заготовку.
- ▶ Ніколи не здійснюйте пиляння незнайомих матеріалів; крім того, на траєкторії пиляння під виробом та над ним не повинно бути жодних перешкод. Якщо пиляльний диск натрапить на сторонній предмет, може виникнути віддача.



- ▶ Небезпека травмування в результаті падіння інструментів та/або приладдя. Перш ніж розпочинати роботу, перевірте, чи надійно закріплене приладдя.
- ▶ Під час пиляння з приєднаним пилозбірником уникайте контакту з пилозахисним кожухом або усмоктувальним шлангом. Під час обробки матеріалів, яким притаманне значне утворення пилу, може виникати підвищений ризик ураження електричним струмом.
- ▶ Переконайтеся, що на траєкторії пиляння відсутні сторонні предмети, наприклад цвяхи, гвинти та інші металеві об'єкти.
- ▶ Використовуйте тільки ті пиляльні диски, які рекомендовані компанією **Hilti** і відповідають стандарту EN 847-1.
- ▶ Під час пиляння пластмаси слідкуйте за тим, щоб оброблювана деталь не нагрівалася занадто сильно та не плавилася.

Електрична безпека

- ▶ Перед початком роботи перевіряйте робоче місце на наявність прихованих електричних кабелів, газових та водопровідних труб, наприклад за допомогою металодетектора. Відкриті металеві деталі електроінструмента можуть стати провідниками електричного струму, якщо, зокрема, під час роботи будуть випадково пошкоджені електричні кабелі. Якщо це станеться, існує підвищена небезпека ураження електричним струмом.

2.4 Застосування акумуляторних батарей та дбайливий догляд за ними

- ▶ **Дотримуйтеся наведених нижче вказівок з техніки безпеки, щоб гарантувати безпечне транспортування та використання літій-іонних акумуляторних батарей.** Невиконання цих вказівок може призвести до подразнення шкіри, серйозних травм внаслідок контакту з корозійними речовинами, а також до хімічних опіків, пожежі та/або вибуху.
- ▶ Користуйтеся лише повністю справними акумуляторними батареями.
- ▶ Обережно поводьтеся з акумуляторними батареями, щоб уникнути їхнього пошкодження або витоків рідин, які є дуже небезпечними для здоров'я!
- ▶ Забороняється вносити зміни до конструкції акумуляторних батарей або модифікувати їх!
- ▶ Акумуляторні батареї забороняється розбирати, роздавлювати, нагрівати до температури понад 80 °C (176 °F) або спалювати.
- ▶ Не використовуйте та не заряджайте акумуляторні батареї, які зазнали впливу ударного навантаження або були пошкоджені іншим чином. Регулярно перевіряйте акумуляторні батареї на наявність пошкоджень.
- ▶ Ніколи не використовуйте акумуляторні батареї із вторинних матеріалів або відремонтовані акумуляторні батареї.
- ▶ Не застосовуйте акумуляторну батарею або акумуляторний електроінструмент у якості ударного інструмента.
- ▶ Ніколи не піддавайте акумуляторні батареї впливу прямих сонячних променів, високих температур, іскор або відкритого вогню. Невиконання цієї вимоги може призвести до вибуху.
- ▶ Не торкайтеся полюсів елементів живлення пальцями, робочими інструментами, прикрасами, а також іншими предметами зі струмопровідних матеріалів. Невиконання цієї вимоги може привести до пошкодження акумуляторної батареї, матеріальних збитків і травм.
- ▶ Захищайте акумуляторні батареї від впливу дощу, вологи та рідин. Якщо всередину акумуляторної батареї потрапить волога, це може спричинити коротке замикання, ураження електричним струмом, опіки, пожежу або вибух.
- ▶ Використовуйте акумуляторну батарею тільки з тими електроінструментами та зарядними пристроями, для яких вона призначена. При цьому також дотримуйтеся вказівок, наведених в інструкціях з експлуатації відповідних виробів.
- ▶ Не використовуйте та не зберігайте акумуляторні батареї у вибухонебезпечному середовищі.



- ▶ Якщо акумуляторна батарея гаряча на дотик, вона може бути пошкоджена. Залиште акумуляторну батарею у захищеному від вогню місці на достатній відстані від горючих матеріалів, де за нею можна спостерігати. Зачекайте, доки акумуляторна батарея не охолоне. Якщо через годину акумуляторна батарея все ще залишається гарячою на дотик, це свідчить про її несправність. Зверніться до сервісної служби компанії **Hilti** або ознайомтеся з указівками щодо техніки безпеки та належної експлуатації літій-іонних акумуляторних батарей **Hilti**.

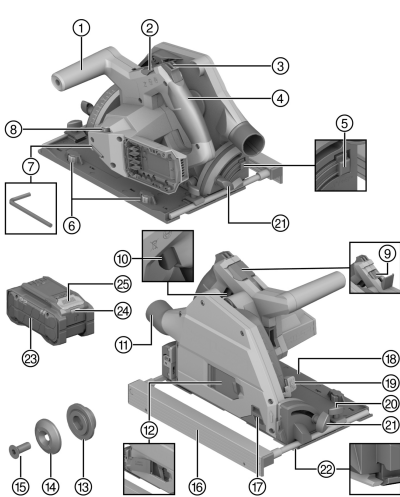


Дотримуйтеся спеціальних указівок щодо транспортування, зберігання та використання літій-іонних акумуляторних батарей. 190

Ознайомтеся з указівками щодо техніки безпеки та належної експлуатації літій-іонних акумуляторних батарей **Hilti**: для цього відскануйте QR-код, наведений наприкінці цієї інструкції з експлуатації.

3 Опис

3.1 Огляд продукту



- ① Додаткова рукоятка
- ② Стопорний важіль для заміни пиляльного диска
- ③ Кнопка блокування увімкнення
- ④ Основна рукоятка
- ⑤ Деблокувальна кнопка для встановлення кута різання -1° та 47°
- ⑥ Колесо регулювання компенсації люфту (між напрямною шиною та напрямним пазом в опорній плиті)
- ⑦ Шестигранний ключ
- ⑧ Колесо регулювання частоти обертання пиляльного диска
- ⑨ Кнопка блокування шпинделя
- ⑩ Вимикач
- ⑪ Отвір для відведення стружки / з'єднувальний штуцер
- ⑫ Монтажна кришка для заміни пиляльного диска
- ⑬ Кріпильний фланець
- ⑭ Затискний фланець
- ⑮ Затискний гвинт
- ⑯ Паралельний упор
- ⑰ Зсувне пилрозахисне віконце
- ⑱ Опорна плита
- ⑲ Важіль регулювання глибини різання
- ⑳ Затискний гвинт паралельного упора
- ㉑ Затискний гвинт для встановлення кута різання
- ㉒ Адаптивний індикатор прорізу
- ㉓ Акумуляторна батарея
- ㉔ Індикатор статусу акумуляторної батареї
- ㉕ Деблокувальна кнопка акумуляторної батареї

3.2 Використання за призначенням

Описаний у цьому документі виріб являє собою акумуляторну заглибну циркулярну пилку. Виріб призначений для пиляння та заглибного різання виключно таких матеріалів:

- Деревина та аналогічні матеріали
- Пластик
- Листи гіпсокартону



- Фіброцементні панелі
- Кольорові метали

Цей виріб призначений для столярних робіт та робіт з облаштування інтер'єру.

Ручна циркулярна пилка оснащена з'єднувальним штуцером для додаткового пилосбірника; цей штуцер дозволяє приєднувати стандартні усмоктувальні шланги. Для приєднання шланга пилосбірника Вам може знадобитися відповідний адаптер.

Використовуйте тільки ті пиляльні диски, які допущені до експлуатації з цим інструментом та відповідають технічним характеристикам (наприклад, значенням діаметра, частоти обертання, товщини, параметрам матеріалу тощо). Не допускається застосування шліфувальних або відрізних кругів, а також пиляльних дисків із високолегованої швидкоріжучої сталі (HSS).

Дозволяється пиляти лише рівні заготовки, які мають достатньо велику поверхню для встановлення опорної плити.

- Використовуйте із цим інструментом лише літій-іонні акумуляторні батареї **Hilti** типу B 22. Компанія **Hilti** рекомендує використовувати з цим інструментом акумуляторні батареї, зазначені у таблиці наприкінці цієї інструкції з експлуатації.
- Для заряджання цих акумуляторних батарей використовуйте лише зарядні пристрої **Hilti**, інформація про які наведена наприкінці цієї інструкції з експлуатації.

3.3 Комплект постачання

Акумуляторна циркулярна пилка, пиляльний диск, інструкція з експлуатації



Інше приладдя, допущене до експлуатації з Вашим виробом, Ви можете придбати у **Hilti Store** або на веб-сайті www.hilti.group

3.4 Варіанти індикації літій-іонної акумуляторної батареї

Літій-іонні акумуляторні батареї **Hilti** Nuron оснащені індикаторами, які можуть відображати стан заряду, повідомлення про несправності, а також позначати стан акумуляторної батареї.

3.4.1 Індикація стану заряду та повідомлень про несправність



ПОПЕРЕДЖЕННЯ

Ризик отримання травм через падіння акумуляторної батареї!

- Якщо Ви натиснули на деблокувальну кнопку, коли акумуляторна батарея встановлена в інструмент, будь ласка, переконайтеся, що вона належним чином зафіксована.

Щоб відобразити одну з наведених нижче індикацій, короткочасно натисніть деблокувальну кнопку акумуляторної батареї.

Після приєднання інструмента індикатор постійно показуватиме стан заряду акумуляторної батареї, а також можливі несправності.

Стан	Значення
Чотири (4) світлодіоди постійно горять зеленим кольором	Стан заряду: від 100 % до 71 %
Три (3) світлодіоди постійно горять зеленим кольором	Стан заряду: від 70 % до 51 %
Два (2) світлодіоди постійно горять зеленим кольором	Стан заряду: від 50 % до 26 %
Один (1) світлодіод постійно горить зеленим кольором	Стан заряду: від 25 % до 10 %
Один (1) світлодіод повільно мигає зеленим кольором	Стан заряду: < 10 %
Один (1) світлодіод швидко мигає зеленим кольором	Літій-іонна акумуляторна батарея повністю розряджена. Зарядіть акумуляторну батарею. Якщо після заряджання акумуляторної батареї світлодіод продовжує швидко мигати, будь ласка, зверніться до сервісної служби компанії Hilti .



Стан	Значення
Один (1) світлодіод швидко мигає жовтим кольором	Літій-іонна акумуляторна батарея або приєднаний до неї інструмент перенавантажені, занадто гарячі або занадто холодні або виникла інша помилка. Зачекайте, доки інструмент і акумуляторна батарея не нагріються або не охолонуть до належної робочої температури, та надалі уникайте перенавантаження інструмента під час використання. Якщо індикація не зникає, будь ласка, зверніться до сервісної служби компанії Hilti .
Один (1) світлодіод горить жовтим кольором	Літій-іонна акумуляторна батарея та відповідний інструмент несумісні. Будь ласка, зверніться до сервісної служби компанії Hilti .
Один (1) світлодіод швидко мигає червоним кольором	Літій-іонна акумуляторна батарея заблокована та більше не може використовуватися. Будь ласка, зверніться до сервісної служби компанії Hilti .

3.4.2 Індикація стану акумуляторної батареї

Щоб відобразити індикацію стану акумуляторної батареї, натисніть і утримуйте деблокувальну кнопку протягом більше трьох секунд. Система не встановила жодних потенційних несправностей елемента живлення, обумовлених його неналежним використанням, наприклад падінням, проколюванням, пошкодженням внаслідок впливу високих температур тощо.

Стан	Значення
Усі світлодіоди послідовно загоряються, після чого один (1) світлодіод починає постійно горіти зеленим кольором.	Експлуатацію акумуляторної батареї можна продовжувати.
Усі світлодіоди послідовно загоряються, після чого один (1) світлодіод починає швидко мигати жовтим кольором.	Не вдалося завершити перевірку стану акумуляторної батареї. Повторіть операцію або зверніться до сервісної служби компанії Hilti .
Усі світлодіоди послідовно загоряються, після чого один (1) світлодіод починає постійно горіти червоним кольором.	Якщо використання приєданого інструмента можна продовжувати, це означає, що залишкова ємність акумуляторної батареї становить менше 50 %. Якщо використання приєданого інструмента вже не можна продовжувати, це означає, що строк служби акумуляторної батареї закінчився та її потрібно замінити. Будь ласка, зверніться до сервісної служби компанії Hilti .

4 Технічні дані

4.1 Характеристики інструмента

	SC 6WP-22
Покоління виробу	01
Маса	3,3 кг (згідно з EPTA-Procedure 01, без акумуляторної батареї)
Маса (паралельний упор)	0,45 кг
Габаритні розміри (Д × Ш × В)	360 мм × 200 мм × 237 мм
Товщина опорного кільця	1 мм ... 1,5 мм
Максимальна глибина пропилу	57 мм
Номінальна частота обертання під час холостого ходу	6 000 об/хв
Номінальна напруга	21,6 В



4.2 Типи пиляльних дисків і способи їхнього застосування

Тип пиляльного диска	Зауваження щодо застосування
Універсальний пиляльний диск Пиляльний диск для тонкого пиляння	Деревина та матеріали на основі деревини
Пиляльний диск для фіброцементу	Фіброцемент або матеріали на основі фіброцементу

4.3 Температура зберігання та експлуатації

Температура зберігання	-20 °C ... 70 °C
Температура навколишнього середовища під час роботи	-17 °C ... 60 °C

4.4 Акумуляторна батарея

Робоча напруга акумуляторної батареї	21,6 В
Маса акумуляторної батареї	Інформація наведена наприкінці цієї інструкції з експлуатації
Температура навколишнього середовища під час роботи	-17 °C ... 60 °C
Температура зберігання	-20 °C ... 40 °C
Температура акумуляторної батареї на початку процесу зарядження	-10 °C ... 45 °C

4.5 Дані про шум та значення вібрації

Наведені у цих рекомендаціях значення звукового тиску та вібрації були виміряні згідно з установленою процедурою вимірювання та можуть використовуватися для порівняння електроінструментів. Вони також придатні для попереднього оцінювання шумового та вібраційного навантаження.

Наведені дані обумовлюють переважні сфери застосування електроінструмента. Однак якщо Ви використовуєте його не за призначенням, застосовуєте нестандартне приладдя або неналежним чином здійснюєте догляд за інструментом, ці дані можуть відрізнятись від вказаних значень. Це може призвести до помітного збільшення шумового та вібраційного навантаження протягом усього робочого часу.

Для більш точної оцінки шумового та вібраційного навантаження необхідно враховувати також проміжки часу, протягом яких виріб залишається вимкненим або працює на холостому ходу. Це може значно зменшити вібраційне та шумове навантаження протягом усього робочого часу.

Необхідно також вживати додаткових заходів безпеки з метою захисту працівників від дії шуму та/або вібрації, зокрема: проводити своєчасне технічне обслуговування електроінструмента та змінних робочих інструментів до нього, утримувати руки у теплі, належним чином організувати робочий процес.

Більш детальна інформація щодо версій стандарту EN 62841, які використовуються тут, наведена в копії сертифіката відповідності 314.

Дані про шум

Рівень шумової потужності (L_{WA})	106 дБ(А)
Похибка для рівня шумової потужності (K_{WA})	3 дБ(А)
Рівень звукового тиску (L_{pA})	98 дБ(А)
Похибка для рівня звукового тиску (K_{pA})	3 дБ(А)

Сумарне значення вібрації

Пиляння ДСП ($a_{h,M}$)	B 22-55	0,9 м/с ²
Пиляння листового алюмінію ($a_{h,M}$)	B 22-55	1,7 м/с ²
Похибка (К)		1,5 м/с ²



5 Підготовка до роботи

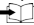
ПОПЕРЕДЖЕННЯ

Ризик отримання травм внаслідок непередбаченого увімкнення інструмента!

- ▶ Перш ніж установлювати акумуляторну батарею, переконайтеся, що відповідний інструмент вимкнений.
 - ▶ Від'єднайте акумуляторну батарею, перш ніж задавати налаштування інструмента або замінити приладдя.
-

Дотримуйтеся попереджувальних вказівок та вказівок з техніки безпеки, наведених у цьому документі та на корпусі інструмента.

5.1 Зарядження акумуляторної батареї

1. Перед зарядженням акумуляторної батареї прочитайте інструкцію з експлуатації зарядного пристрою.
2. Контакти акумуляторної батареї та зарядного пристрою повинні бути чистими та сухими.
3. Заряджайте акумуляторну батарею тільки за допомогою тих зарядних пристроїв, які допущені до застосування з нею.  180

5.2 Установлення акумуляторної батареї

ПОПЕРЕДЖЕННЯ

Ризик отримання травм внаслідок короткого замикання або падіння акумуляторної батареї!

- ▶ Перш ніж установлювати акумуляторну батарею, переконайтеся, що на контактах батареї та інструмента немає сторонніх предметів.
 - ▶ Завжди перевіряйте, щоб акумуляторна батарея була правильно зафіксована.
1. Перед першим використанням акумуляторну батарею слід повністю зарядити.
 2. Уставте акумуляторну батарею в інструмент, щоб вона зафіксувалася із чітким характерним звуком.
 3. Переконайтеся, що акумуляторна батарея надійно зафіксована в інструменті.

5.3 Виймання акумуляторної батареї


1. Натисніть на деблокувальну кнопку акумуляторної батареї.
2. Дістаньте акумуляторну батарею з інструмента.

5.4 Захист від падіння з висоти

ПОПЕРЕДЖЕННЯ


Ризик отримання травм внаслідок падіння робочого інструмента та/або приладдя!

- ▶ Використовуйте тільки той страхувальний строп для інструментів **Hilti**, який рекомендований для Вашого інструмента.
 - ▶ Перед кожним використанням перевіряйте точку кріплення страхувального стропа для інструментів на наявність можливих пошкоджень.
-

 Дотримуйтеся місцевих указівок щодо виконання робіт на висоті.

У якості пристрою для попередження падіння цього інструмента використовуйте тільки страхувальний строп для інструментів **Hilti** номер #2261971.

- ▶ Закріпіть страхувальний строп на інструменті за допомогою передбаченого для цього вушка, як показано на рисунку. Перевірте надійність кріплення.
 - ▶ Закріпіть гачок карабіна на несучій конструкції. Перевірте надійність кріплення гачка карабіна.
-

 Дотримуйтеся вказівок, наведених в інструкції з експлуатації страхувального стропа для інструментів **Hilti**.



5.5 Переведення заглибного вузла в монтажне положення 3

i Конструкція виробу передбачає монтажне положення заглибного вузла, у якому затискний гвинт стає доступним через монтажне віконце. Монтажне положення можна відрегулювати за допомогою стопорного важеля.

Коли оператор переміщує стопорний важіль назад (у базове положення), заглибний вузол швидко пересувається назад. Утримуйте виріб за основну рукоятку, щоб контролювано перевести заглибний вузол у вихідне положення.


1. Розташуйте виріб таким чином, щоб заглиблення можна було здійснити з максимальною глибиною (наприклад, на кромці столу).
2. Відкрийте монтажну кришку для встановлення пиляльного диска.
3. Установіть індикатор важеля регулювання глибини різання на максимальне значення (1).
4. Пересуньте стопорний важіль угору (у монтажне положення) (2).
5. Натисніть та утримуйте кнопку блокування увімкнення (3), після чого переведіть заглибний вузол у монтажне положення.
 - ▶ Заглибний вузол закріплюється у монтажному положенні із чітким характерним звуком.
 - ▶ Затискний гвинт буде видимий через монтажне віконце та знаходитиметься по центру.

5.6 Зняття пиляльного диска 4

⚠ ПОПЕРЕДЖЕННЯ

Небезпека отримання опіків і порізів через контакт із пиляльним диском, затискним гвинтом та затискним фланцем Невиконання наведених нижче вказівок може призвести до опіків та порізів.

- ▶ Під час встановлення та зняття змінного робочого інструмента завжди використовуйте захисні рукавиці.

1. Переведіть заглибний вузол у монтажне положення.  185
2. Натисніть і утримуйте кнопку блокування шпинделя (1).
3. Послабте затискний гвинт (2) торцевим шестигранним ключем.

i Зверніть увагу на стрілку, що позначає напрям обертання: затискний гвинт послаблюється у напрямку обертання пиляльного диска.


4. Дістаньте затискний гвинт і затискний фланець.
5. Вийміть пиляльний диск із захисного кожуха.

i За необхідності кріпильний фланець можна зняти та прочистити.

5.7 Установлення пиляльного диска 5, 6

Перш ніж встановлювати новий пиляльний диск, переконайтеся, що він відповідає технічним вимогам і належним чином заточений. Гострий пиляльний диск є передумовою бездоганного виконання розпилу.

Перед кожним використанням завжди вибирайте пиляльний диск, що відповідає матеріалу, який планується розрізати.

1. Переведіть заглибний вузол у монтажне положення.  185
2. Очистьте кріпильний та затискний фланці (1).
3. Розташуйте кріпильний фланець належним чином та встановіть його на приводний шпindel.
4. Установіть на місце новий пиляльний диск (2).
 - ▶ Зверніть увагу на стрілки, що знаходяться на пиляльному диску (3) та на захисному кожусі (4). Напрямок обох стрілок обов'язково має збігатися.
5. Установіть на місце затискний фланець, розташувавши його належним чином.
6. Закрутіть затискний гвинт.
7. Натисніть і утримуйте кнопку блокування шпинделя (5).



8. Затягніть затискний гвинт (6) торцевим шестигранним ключем.



Зверніть увагу на стрілку, що позначає напрям обертання: затискний гвинт затягується у напрямку, протилежному напрямку обертання пиляльного диска.

9. Перевірте, чи належним чином установлений пиляльний диск.

10. Тримайте виріб за основну рукоятку.

11. Установіть фіксувальний важіль у базове положення та поверніть заглибний вузол назад у базове положення (7).

12. Закрийте монтажну кришку для встановлення пиляльного диска.

5.8 Зсувне пилозахисне віконце

Щоб забезпечити оптимальне видалення стружки, зсувайте пилозахисне віконце якомога ближче до оброблюваної заготовки.

5.9 Установлення глибини пропилу 7



Установлена глибина пропилу завжди має бути приблизно на 5–10 мм більша за товщину оброблюваної заготовки.

1. Натисніть та утримуйте кнопку розблокування важеля регулювання глибини різання (1).

2. Перемістіть важіль у положення, яке відповідає потрібній глибині пропилу (2).

- ▶ Індикатор глибини прорізу оснащений окремими позначками глибини для виконання прорізів з напрямною шиною (3) та без напрямної шини (4).

3. Відпустіть кнопку розблокування важеля регулювання глибини різання.

5.10 Установлення кута різання 8



• Не допускайте того, щоб спереду та ззаду були виставлені різні налаштування кута: для цього під час затягування не тисніть на додаткову рукоятку або пилку. Якщо налаштування кута відрізняться, вже не можна буде виконати прямий розріз.

1. Послабте 2 затискні гвинти для встановлення кута різання (1).

2. Поверніть виріб у положення, що відповідає потрібному куту різання.

- ▶ Якщо потрібно встановити кут різання в -1° або понад 45° (до макс. 47°), натисніть та утримуйте деблокувальну кнопку (2).

3. Затягніть один з двох затискних гвинтів для встановлення кута різання.

4. Затягніть розташований напроти затискний гвинт для встановлення кута різання.

5.11 Регулювання частоти обертання пиляльного диска

Завжди використовуйте частоту обертання, яка відповідає встановленому пиляльному диску та оброблюваному матеріалу. Правильно встановлена частота обертання дозволяє уникнути перегрівання зубців пиляльного диска та подовжує термін його експлуатації.

- ▶ Поверніть колесо регулювання частоти обертання пиляльного диска у відповідне положення.

5.12 Установлення паралельного упора 9



Залежно від способу закріплення на виробі паралельний упор може виконувати одну з двох функцій:

- L-подібна кромка спрямована вниз: паралельний упор для рівних прорізів, які виконуються паралельно кромці.
- L-подібна кромка спрямована вгору: подовження опорної плити, яке забезпечує стабільніше спрямування виробу під час виконання прорізів без напрямної шини.

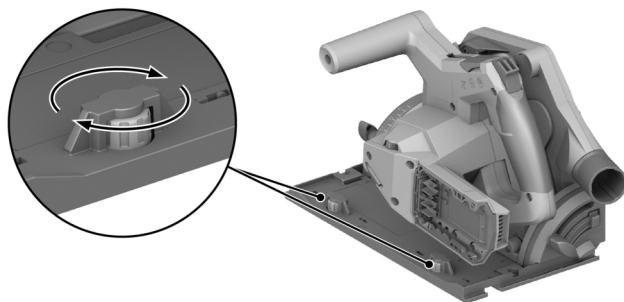
1. Послабте два затискні гвинти.

2. Уставте паралельний упор у монтажні роз'єми опорної плити.



3. Установіть паралельний упор на відстань, необхідну для виконання потрібного прорізу.
 - ▶ Переконайтеся, що з обох боків задані однакові значення відстані.
4. Затягніть два затискні гвинти.

5.13 Установлення виробу на напрямну шину



1. Установіть виріб пазом опорної плити на напрямне ребро.
2. Перевірте люфт між напрямною шиною та опорною плитою.
3. Відрегулюйте люфт за допомогою ексцентрикового гвинта (1):
 - ▶ Щоб зменшити люфт, повертайте ексцентриковий гвинт за годинниковою стрілкою.
 - ▶ Щоб збільшити люфт, повертайте ексцентриковий гвинт проти годинникової стрілки.
4. Установіть якомога менший люфт, який не перешкоджає ковзанню.

6 Експлуатація

Дотримуйтеся попереджувальних вказівок та вказівок з техніки безпеки, наведених у цьому документі та на корпусі інструмента.

6.1 Увімкнення або вимкнення

Увімкнення

1. Перемістіть кнопку блокування увімкнення вгору та утримуйте її.
2. Натисніть на вимикач та утримуйте його.
3. Відпустіть кнопку блокування увімкнення.



Кнопка блокування увімкнення залишатиметься у розблокованому положенні, доки оператор натискатиме на вимикач або доки заглибний вузол перебуватиме у положенні заглиблення. Кнопка блокування увімкнення автоматично відскакує у положення блокування, якщо заглибний вузол переміщується у базове положення або якщо оператор відпускає вимикач.

Вимкнення

4. Переведіть заглибний вузол у базове положення.
5. Відпустіть вимикач.

6.2 Протидія утворенню пилу та стружки

- Виконуйте пиляння з використанням **пилосбірника**:
Приєднайте усмоктувальний шланг до штуцерів для системи видалення пилу та дотримуйтеся вказівок, наведених в інструкції з експлуатації пилосбірника.
- Виконуйте пиляння з використанням **мішка для пилу**:
За допомогою адаптера приєднайте мішок для пилу до штуцерів для системи видалення пилу (пилосбірника).



Ви також можете використовувати виріб без засобів збору пилу. У цьому випадку переконайтеся, що стружка та пил можуть вільно відводитися від виробу.



6.3 Пиляння за розміткою **11**

Дозволяється пиляти лише рівні заготовки, які мають достатньо велику поверхню для встановлення опорної плити.

1. Закріпіть оброблювану заготовку, щоб уникнути її зміщення, та відмітьте на ній траєкторію різання (нанесіть розмітку).
2. Установіть глибину пропилу. 186
3. Установіть виріб адаптивним індикатором прорізу на лінію розмітки.
4. Увімкніть інструмент. 187
 - ▶ Занурення виробу в оброблювану заготовку можливе тільки у тому випадку, коли вимикач розблокований.
5. Занурте заглибний вузол в оброблювану заготовку до упору (1).
6. Просувайте виріб крізь оброблювану заготовку з відповідною швидкістю.
7. Коли пиляльний диск обертається, перемістіть заглибний вузол назад у базове положення (2).

Це дозволить уникнути заклинювання пиляльного диска в оброблюваній заготовці.

8. Відключайте виріб одразу після повернення заглибного вузла у базове положення. 187

6.4 Виконання заглибного різання

1. Установіть глибину пропилу. 186
2. Установіть виріб на оброблювану заготовку.
3. Увімкніть інструмент. 187
 - ▶ Занурення виробу в оброблювану заготовку можливе тільки у тому випадку, коли вимикач розблокований.
4. Занурте виріб в оброблювану заготовку до упору.
5. Просувайте виріб крізь оброблювану заготовку з відповідною швидкістю.
6. Дістаньте виріб з обробленої заготовки.
7. Відключайте виріб одразу після повернення заглибного вузла у базове положення. 187

6.5 Виконання різання під кутом

Виріб оснащений адаптивним індикатором прорізу, який автоматично пристосовується до встановленого кута різання. Адаптивний індикатор прорізу передбачений тільки для виконання прорізів без прямої шини. Конструкція виробу є такою, що під час виконання прорізів з прямою шиною лінія різання не залежить від встановленого кута різання.

1. Установіть потрібне значення кута різання. 186
2. Установіть виріб адаптивним індикатором прорізу на лінію розмітки.
3. Увімкніть інструмент. 187
4. Занурте заглибний вузол в оброблювану заготовку.
5. Переміщуйте виріб через оброблювану заготовку вздовж прямої шини.

6.6 Різання з прямою шиною **10**

1. Зафіксуйте пряму шину 2 струбцинами.
2. Установіть опору плити пазом на пряме ребро прямої шини.
3. Установіть потрібне значення кута різання. 186
4. Установіть глибину пропилу. 186
5. Увімкніть інструмент. 187
6. Занурте заглибний вузол в оброблювану заготовку.
7. Переміщуйте виріб через оброблювану заготовку вздовж прямої шини.



7 Догляд і технічне обслуговування

ПОПЕРЕДЖЕННЯ

Небезпека травмування під час виконання робіт на інструменті з установленою акумуляторною батареєю !

- ▶ Завжди діставайте з інструмента акумуляторну батарею, перш ніж розпочинати будь-які роботи з догляду та технічного обслуговування!

Догляд за інструментом

- Видаляйте накопичення бруду обережно.
- Якщо конструкцією інструмента передбачені вентиляційні прорізи, обережно прочищайте їх м'якою сухою щіткою.
- Чистьте корпус інструмента тільки вологою тканиною. Не використовуйте миючі засоби, що містять силікон, оскільки вони можуть пошкодити пластмасові деталі.
- Для чищення контактів інструмента використовуйте чисту суху тканину.

Догляд за літій-іонними акумуляторними батареями

- Ніколи не використовуйте акумуляторну батарею із заблокованими вентиляційними прорізами. Обережно прочищайте вентиляційні прорізи м'якою сухою щіткою.
- Уникайте зайвого контакту акумуляторної батареї з пилом або брудом. Ніколи не піддавайте акумуляторну батарею впливу високої вологості (зокрема, не занурюйте її у воду та не залишайте під дощем).

Якщо рідина потрапила всередину акумуляторної батареї, з нею слід поводитися як із пошкодженою акумуляторною батареєю. Ізолюйте акумуляторну батарею у контейнері з незаймистого матеріалу та зверніться до сервісної служби компанії **Hilti**.

- Не допускайте забруднення акумуляторної батареї сторонніми мастильними матеріалами. Слідкуйте за тим, щоб на акумуляторній батареї не накопичувалась занадто велика кількість пилу або бруду. Видаляйте забруднення з акумуляторної батареї м'якою сухою щіткою або чистою сухою тканиною. Не використовуйте миючі засоби, що містять силікон, оскільки вони можуть пошкодити пластмасові деталі.

Не торкайтеся контактів акумуляторної батареї та не видаляйте з них мастильні матеріали, нанесені на заводі виробника.

- Чистьте корпус інструмента тільки вологою тканиною. Не використовуйте миючі засоби, що містять силікон, оскільки вони можуть пошкодити пластмасові деталі.

Технічне обслуговування

- Регулярно перевіряйте усі зовнішні частини інструмента на наявність пошкоджень, а органи керування – на предмет справної роботи.
- Не використовуйте інструмент у разі виявлення пошкоджень та/або порушень функціональності. Негайно передайте інструмент до сервісної служби компанії **Hilti** для здійснення ремонту.
- Після завершення робіт з догляду і технічного обслуговування встановіть усі захисні пристрої та перевірте їхню роботу.



Щоб гарантувати належну роботу інструмента, використовуйте тільки оригінальні запасні частини та видаткові матеріали. Рекомендовані компанією **Hilti** запасні частини, видаткові матеріали та приладдя для інструмента Ви можете придбати у найближчому магазині **Hilti Store** або на веб-сайті www.hilti.group

7.1 Чищення захисного пристрою

1. Обережно прочистьте захисні пристрої сухою щіткою.
2. За допомогою відповідного робочого інструмента видаліть відкладення і стружку, що накопичилися всередині захисних пристроїв.

7.2 Прочищення каналу для відведення стружки

1. Якщо на штуцер для системи видалення пилу встановлений пилозбірник, зніміть зі штуцера усмоктувальний шланг.
2. Прочистьте щіткою канал для відведення стружки.



8 Транспортування та зберігання акумуляторних інструментів та акумуляторних батарей

Транспортування

ОБЕРЕЖНО

Непередбачене увімкнення інструмента під час транспортування !

- ▶ На час транспортування завжди діставайте з інструмента акумуляторну батарею!
- ▶ Діставайте акумуляторну(-і) батарею(-і).
- ▶ Ніколи не перевозьте акумуляторні батареї у незапакованому вигляді. Під час перевезення акумуляторні батареї повинні бути захищені від сильних поштовхів та вібрацій, а також ізольовані від будь-яких струмопровідних матеріалів та від інших акумуляторних батарей. Це дозволить уникнути короткого замикання, яке може статися через контакт полюсів різних акумуляторних батарей. **Дотримуйтеся місцевих правил, які регламентують порядок перевезення акумуляторних батарей.**
- ▶ Забороняється пересилати акумуляторні батареї поштою. Для пересилання непошкоджених акумуляторних батарей зверніться до кур'єрської служби.
- ▶ Перед кожним використанням, а також перед тривалим транспортуванням і після його завершення перевіряйте інструмент та акумуляторні батареї на наявність пошкоджень.

Зберігання

ПОПЕРЕДЖЕННЯ

Непередбачене пошкодження інструмента через несправність акумуляторної батареї або через виток електроліту з акумуляторної батареї !

- ▶ На час зберігання завжди діставайте з інструмента акумуляторну батарею!
- ▶ Зберігайте інструмент та акумуляторні батареї у сухому прохолодному місці. Дотримуйтеся діапазону температур, зазначеного у технічних даних інструмента.
- ▶ Не зберігайте акумуляторні батареї на зарядному пристрої. Після закінчення процесу заряджання завжди від'єднуйте акумуляторну батарею від зарядного пристрою.
- ▶ Не зберігайте акумуляторні батареї на сонці, біля джерел тепла або на підвіконні.
- ▶ Зберігайте інструмент та акумуляторні батареї у сухому місці, недоступному для дітей та сторонніх осіб.
- ▶ Перед кожним використанням, а також перед тривалим зберіганням і після його завершення перевіряйте інструмент та акумуляторні батареї на наявність пошкоджень.

9 Допомога у разі виникнення несправностей

У разі виникнення будь-яких несправностей звертайте увагу на індикатор статусу акумуляторної батареї. Додаткова інформація наведена у розділі «**Варіанти індикації літій-іонної акумуляторної батареї**».



У разі виникнення несправностей, які не зазначені у цій таблиці або які Ви не можете полагодити самостійно, зверніться до сервісної служби компанії Hilti.

Несправність	Можлива причина	Рішення
Вимикач неможливо натиснути, або він заблокований.	Відсутність несправності (функція безпеки).	▶ Натисніть кнопку блокування увімкнення.
Частота обертання несподівано швидко зменшується.	Акумуляторна батарея розряджена.	▶ Зарядіть акумуляторну батарею.
	Занадто високе зусилля подачі.	▶ Зменште зусилля подачі та знову увімкніть інструмент.
Відсутня або знижена потужність усмоктування	Канал для відведення стружки.	▶ Прочистьте канал для відведення стружки. 189
Після блокування пиляльного диска інструмент не вмикається автоматично.	Спрацював захист від перенавантаження.	▶ Ще раз натисніть кнопку блокування увімкнення та головний вимикач інструмента.
Акумуляторна батарея не зафіксується з чітко відчутним клацанням.	Фіксатор акумуляторної батареї засмічений.	▶ Прочистьте зачіпку фіксатора та вставте акумуляторну батарею знову.



Несправність	Можлива причина	Рішення
Інструмент вібрає сильніше, ніж звичайно.	Невірно встановлений пиляльний диск.	▶ Зніміть пиляльний диск і встановіть його знову.
Індикація світлодіодів акумуляторної батареї відсутня	Акумуляторна батарея несправна	▶ Зверніться до сервісної служби компанії Hilti .

10 Утилізація

ПОПЕРЕДЖЕННЯ

Ризик отримання травм внаслідок неналежної утилізації! Небезпека для здоров'я внаслідок контакту з газами або рідинами, що виходять з акумуляторної батареї.

- ▶ Пошкоджені акумуляторні батареї забороняється пересилати поштою або кур'єрською службою!
- ▶ Закрийте контакти акумуляторних батарей електронепровідним матеріалом, щоб запобігти короткому замиканню.
- ▶ Утилізуйте акумуляторні батареї таким чином, щоб вони не потрапили до рук дітей.
- ▶ Щоб утилізувати акумуляторну батарею, передайте її до найближчого магазину **Hilti Store** або зверніться до представника відповідної компанії з утилізації відходів.

Більшість матеріалів, з яких виготовлено інструменти компанії **Hilti**, придатні для вторинної переробки. Передумовою для їхньої вторинної переробки є належне сортування відходів за типом матеріалу. У багатьох країнах світу компанія **Hilti** приймає старі інструменти для їхньої утилізації. Щоб отримати додаткову інформацію, звертайтеся до сервісної служби компанії **Hilti** або до свого торгового консультанта.



- ▶ Не викидайте електроінструменти, електронні пристрої та акумуляторні батареї у баки побутового сміття!

11 Гарантійні зобов'язання виробника

- ▶ З питань гарантії, будь ласка, звертайтеся до найближчого партнера компанії **Hilti**.

12 Додаткова інформація

Щоб ознайомитися із додатковою інформацією про застосування й технічне обслуговування інструмента, його вплив на навколишнє середовище, а також про його утилізацію, будь ласка, скористайтеся цим посиланням: qr.hilti.com/manual?id=2276609&id=2276671

Це посилання також наведене наприкінці документа у вигляді QR-коду.

Түпнұсқа пайдалану бойынша нұсқаулық

1 Пайдалану бойынша нұсқаулық туралы мәліметтер

1.1 Осы пайдалану бойынша нұсқаулық туралы



Импорттауыш және өндірушінің өкілетті ұйымы

- (RU) Ресей Федерациясы
"Хилти Дистрибьюшн ЛТД" АҚ, 141402, Мәскеу облысы, Химки қ., Ленинградская к-сі, 25-бет, 15.26-құрылымы
- (BY) Беларусь Республикасы
"Хилти БиУай" ЖШС, 222750, Минск облысы, Дзержин ауданы, Р-1, 18 км, 2 (Слободка ауылының жанында), 1-34 құрылымы
- (KZ) Қазақстан Республикасы
"Хилти Қазақстан" ЖШС, 050057, Алматы қ., Бостандық ауданы, Тимирязев к-сі, 42/15 үй, литер 012 (15 корпус)



- (KG) Қырғыз Республикасы
"Т AND Т" ЖШҚ, 720021, Қырғызстан, Бішкек қ., Ибраимов көш., 29 А үйі
- (AM) Армения Республикасы
"ЭЙЧ-КОН" ЖШҚ, 0070, Ереван қ., Ерманда Кочар к-сі, 19/28


Өндірілген елі: жабдықтағы белгілеу тақтайшасын қараңыз.

Өндірілген күні: жабдықтағы белгілеу тақтайшасын қараңыз.

Тиісті сертификатты мына мекенжай бойынша табуға болады: www.hilti.ru

Сақтау, тасымалдау және пайдалану шарттарына пайдалану бойынша нұсқаулықта белгіленгеннен басқа арнайы талаптар қойылмайды.

Өнімнің қызмет ету мерзімі 5 жыл.

- Ескерту! Өнімді пайдаланбас бұрын өніммен бірге берілген пайдалану бойынша нұсқаулықты, соның ішінде нұсқаулар, қауіпсіздік және ескерту нұсқаулары, суреттер мен спецификацияларды міндетті түрде оқып шығыңыз және түсініп алыңыз. Барлық нұсқаулар, қауіпсіздік және ескерту нұсқаулары, суреттер, спецификациялар, сондай-ақ құрамдас бөлшектер және функциялармен танысып шығыңыз. Бұл нұсқау орындалмаған жағдайда, ток соғу, өрт және/немесе ауыр жарақат алу қаупі туындайды. Пайдалану бойынша нұсқаулықты, соның ішінде барлық нұсқауларды, қауіпсіздік және ескерту нұсқауларын кейін пайдалану үшін сақтап қойыңыз.
- **HILTI** өнімдері кәсіби пайдаланушыларға арналған және оларды тек қана өкілетті, білікті қызметкерлер пайдалануы, күтім және техникалық қызмет көрсетуі тиіс. Қызметкерлер қауіпсіздік техникасы бойынша арнайы нұсқау алуы керек. Өнім мен оның қосалқы құралдарын басқа мақсатта қолдану немесе олардың оқытылмаған қызметкерлердің тарапынан пайдаланылуы қауіпті.
- Берілген пайдалану бойынша нұсқаулық басып шығарылған мезетте техниканың ағымдағы жағдайына сәйкес келеді. Ағымдағы нұсқау әрдайым Hilti өнімдерінің веб-сайтында қолжетімді. Ол үшін осы пайдалану бойынша нұсқаулықта  деп белгіленген сілтемеге өтіңіз немесе QR кодын сканерлеңіз.
- Өнімді басқа тұлғаларға тек осы пайдалану бойынша нұсқаулықпен бірге беріңіз.

1.2 Шартты белгілердің анықтамасы

1.2.1 Ескерту

Ескертулер өнімді қолдану барысындағы қауіптер туралы ескертеді. Төмендегі сигналдық сөздер пайдаланылады:

ҚАУІПТІ

ҚАУІПТІ !

- ▶ Ауыр жарақаттарға әкелетін немесе өмірге қауіп төндіретін тікелей қауіпті жағдайдың жалпы белгіленуі.

ЕСКЕРТУ

ЕСКЕРТУ !

- ▶ Ауыр жарақаттарға әкелуі немесе өмірге қауіп төндіруі мүмкін ықтимал қауіпті жағдайдың жалпы белгіленуі.

АБАЙЛАҢЫЗ

АБАЙЛАҢЫЗ !

- ▶ Жарақат алуға немесе мүліктің зақымдалуына әкелуі мүмкін ықтимал қауіпті жағдайдың жалпы белгіленуі.

1.2.2 Пайдалану бойынша нұсқаулықтағы белгілер

Бұл пайдалану бойынша нұсқаулықта төмендегі белгілер пайдаланылады:



Пайдалану бойынша нұсқаулықты ұстану



Аспапты пайдалану бойынша нұсқаулар және басқа пайдалы ақпарат



Қайта пайдалануға болатын материалдармен жұмыс істеу



	Электр аспаптарды және аккумуляторларды тұрмыстық қоқысқа тастамаңыз
	Hilti Li-Ion аккумуляторы
	Hilti зарядтағыш құрылғысы

1.2.3 Суреттердегі белгілер

Суреттерде төмендегі белгілер қолданылады:

	Бұл сандар осы пайдалану бойынша нұсқаулықтың басындағы тиісті суретке сәйкес келеді.
3	Нөмірлеу суреттегі жұмыс қадамдарының реттілігін білдіреді және мәтіндегі жұмыс қадамдарынан өзгешеленуі мүмкін.
	Позиция нөмірлері Шолу суретінде қолданылады және Өнімге шолу мақаласындағы шартты белгілердің нөмірлеріне сілтейді.
	Аталмыш белгілер өнімді қолдану барысында айрықша назарыңызды аудартады.

1.3 Өнімге қатысты белгілер

1.3.1 Жалпы белгілер

Өніммен бірге пайдаланылатын белгілер.

P_0	Жүктемесіз номиналды айналу жиілігі
	Тұрақты ток
	Айналу бағытының көрсеткіші
RPM	Айналым/минут
\emptyset	Диаметр
	Ара төсемі
	Өнім iOS және Android платформаларымен үйлесімді сымсыз дерек тасымалдау мүмкіндігіне қолдау көрсетеді.
	Өнім бар болған жағдайда, өнім АҚШ пен канадалық нарықтар үшін осы сертификаттау органдарында қолданыстағы стандарттарға сәйкес сертифициқталады.
Li-Ion	Литий-иондық аккумулятор
	Аккумуляторды еш жағдайда соқпа құрал ретінде пайдаланбаңыз.
	Аккумуляторды құлатып жібермеңіз. Соққы тиген немесе басқа жолмен зақымдалған аккумуляторды пайдаланбаңыз.

1.3.2 Ескертетін белгілер

Төмендегі нұсқама белгілері өнімде қолданылады:

	Қорғауыш көзілдірікті кию керек
--	---------------------------------

2 Қауіпсіздік

2.1 Электр құралдары үшін қауіпсіздік техникасы бойынша жалпы нұсқаулар

⚠ ЕСКЕРТУ Бұл электр құралына арналған барлық қауіпсіздік нұсқауларын, нұсқауларды, суреттерді және техникалық деректерді оқып шығыңыз. Төменде берілген нұсқауларды орындамай электр тогының соғуына, ертке әкелуі мүмкін және/немесе ауыр жарақаттарды тудыруы мүмкін.



Қауіпсіздік техникасы бойынша барлық нұсқауларды және нұсқауларды келесі пайдаланушы үшін сақтаңыз.

Қауіпсіздік нұсқауларында қолданылатын «электр құралы» термині электр желісінен (желілік кабельмен) және аккумулятордан (желілік кабельсіз) жұмыс істейтін электр құралын білдіреді.

Жұмыс орны

- ▶ **Жұмыс орнындағы тазалықты және тәртіпті қадағалаңыз.** Жұмыс орнындағы ретсіздік және нашар жарық сәтсіз жағдайларға әкелуі мүмкін.
- ▶ **Жанғыш сұйықтықтар, газдар немесе шаң бар жарылыс қаупі бар аймақта электр құралын қолданбаңыз.** Жұмыс кезінде электр құралдары ұшқындар шығады және ұшқындар шаңды немесе буларды тұтандыруы мүмкін.
- ▶ **Балалардың және бөгде адамдардың жұмыс істеп тұрған электр құралына жақындауына рұқсат етпеңіз.** Жұмысқа көңіл бөлмегенде, электр құралын бақылау жоғалуы мүмкін.

Электр қауіпсіздігі

- ▶ **Электр құралдың байланыс ашасы электр желісінің розеткасына сай болуы керек. Айырдың конструкциясын өзгертпеңіз. Қорғауыш жерге қосуы бар электр құралдарымен бірге өтпелі айырларды қолданбаңыз.** Түпнұсқа айырлар және оларға сай розеткалар электр тогының соғу қаупін азайтады.
- ▶ **Жерге қосылған беттерге, мысалы, құбырларға, жылыту құралдарына, пештерге (плиталарға) және тоназытқыштарға тікелей тиюді болдырмаңыз.** Жерге қосылған заттарға тигенде электр тогының соғуының үлкен қаупі туындайды.
- ▶ **Электр құралдарды жаңбырдан немесе ылғал әсерінен сақтаңыз.** Электр құралға су тиюі нәтижесінде электр тогының соғу қаупі артады.
- ▶ **Байланыс сымын басқа мақсатта қолданбаңыз, мысалы, электр құралды тасымалдау, оны іліп қою немесе электр желісінің розеткасынан айырды шығару үшін.** Байланыс сымын жылу, май, өткір жиектер немесе жылжымалы бөлшектерден алшақ ұстаңыз. Байланыс сымының зақымдалуы немесе қабаттасуы нәтижесінде электр тогының соғу қаупі артады.
- ▶ **Егер жұмыстар ашық ауада орындалса, тек бөлмелерден тыс қолдануға рұқсат етілген ұзартқыш сымдарды пайдаланыңыз.** Бөлмелерден тыс қолдануға жарамды ұзартқыш сымды пайдалану электр тогының соғу қаупін азайтады.
- ▶ **Егер электр құралмен ылғалдылық жағдайларында жұмыс істеуді болдырмау мүмкін емес болса, шығып кететін токтан қорғау автоматын қолданыңыз.** Шығып кететін токтан қорғау автоматын қолдану электр тогының соғу қаупін азайтады.

Адамдардың қауіпсіздігі

- ▶ **Ұқыпты болыңыз, әрекеттеріңізге көңіл бөліңіз және электр құралымен жұмыс істеуге дұрыс қараңыз.** Шаршаған кезде немесе есірткі, алкоголь не дәрі қабылдаған соң электр құралын қолданбаңыз. Электр құралын қолданған кездегі зейінсіздік ауыр жарақаттарға апарып соғуы мүмкін.
- ▶ **Жеке қорғану құралдарын пайдаланыңыз және әрқашан міндетті түрде қорғауыш көзілдірікті киіңіз.** Электр құралының түріне және пайдалану жағдайларына байланысты жеке қорғану құралдарын, мысалы, шаңнан қорғайтын респираторды, сырғымайтын аяқ киімді, қорғауыш шлемді, естуді қорғау құралдарын қолдану жарақаттану қаупін азайтады.
- ▶ **Электр құралының кездейсоқ қосылуын болдырмаңыз.** Электр қуатына қосу және/немесе аккумуляторды қою, көтеру немесе тасымалдау алдында электр құралы өшірілгеніне көз жеткізіңіз. Электр құралын тасымалдағанда саусақтар сөндіргіште болатын немесе қосылған электр құралы желіге қосылатын жағдайлар сәтсіз жағдайларға әкелуі мүмкін.
- ▶ **Электр құралын қосу алдында реттеуші құрылғыларды және гайка кілтін алыңыз.** Электр құралының айналатын бөлігіндегі аспап немесе кілт жарақаттарға әкелуі мүмкін.
- ▶ **Жұмыс кезінде ыңғайсыз қалыптарға тұрмауға тырысыңыз. Унемі тұрақты күйді және тепе-теңдікті сақтаңыз.** Бұл күтпеген жағдайларда электр құралын жақсырақ басқаруға мүмкіндік береді.
- ▶ **Арнайы киімді киіңіз. Өте бос киімді немесе әшекейлерді кимеңіз. Шашты, киімді және қолғапты электр құралының айналатын түйіндерінен сақтаңыз.** Бос киім, әшекейлер және ұзын шаш оларға ілінуі мүмкін.
- ▶ **Егер шаңды жинау және кетіруге арналған құрылғыларды қосу қарастырылған болса, олар қосылғанына және маңсаты бойынша қолданылып жатқанына көз жеткізіңіз.** Шаңды кетіру модулін пайдалану шаңның зиянды әсерін азайтады.
- ▶ **Өз мойныңызға қате қауіпсіздік сезімін алмаңыз және электр құралына арналған қауіпсіздік ережелерін бұзбаңыз, тіпті электр құралын жиі қолданатын тәжірибелі пайдаланушы болсаңыз.** Мұқиятсыз қолдану бірнеше секундта ауыр жарақаттануға апарып соғуы мүмкін.



Электр құралын қолдану және оған қызмет көрсету

- ▶ **Аспапқа шамадан тыс жүктеме түсуін болдырмаңыз.** Нақ осы жұмысқа арналған электр құралын қолданыңыз. Бұл ережені сақтау көрсетілген қуат диапазонында жоғарырақ жұмыс сапасын және қауіпсіздігін қамтамасыз етеді.
- ▶ **Сөндіргіші бұзылған электр құралын қолданбаңыз.** Қосу немесе өшіру қиын электр құралы қауіпті және оны жөндеу керек.
- ▶ **Электр құралын реттеуге, саймандарды ауыстыруға кірісу алдында немесе жұмыстағы үзіліс алдында розеткадан ашаны және/немесе электр құралынан алмалы-салмалы аккумуляторды шығарыңыз.** Бұл сақтық шарасы электр құралының кездейсоқ қосылуын болдырмайды.
- ▶ **Қолданылмайтын электр құралдарын балалар жетпейтін жерде сақтаңыз.** Аспаппен таңсы емес немесе осы нұсқауларды оқып шықпаған адамдарға аспапты пайдалануға рұқсат бермеңіз. Электр құралдары тәжірибесі жоқ пайдаланушылардың қолында қауіпті болады.
- ▶ **Электр құралдары мен керек-жарақтарға ұқыпты қараңыз.** Айналымды бөліктердің мүлтіксіз қызмет ететінін, олардың жүрісінің жеңілдігін, барлық бөліктердің тұтастығын және электр құралының жұмысына теріс әсер етуі мүмкін зақымдардың жоқтығын тексеріңіз. Аспаптың зақымдалған бөліктерін оны қолдану алдында жөндеуге өткізіңіз. Электр құралына техникалық қызмет көрсету ережелерін сақтамау көп сәтсіз жағдайлардың себебі болып табылады.
- ▶ **Кескіш аспаптардың үшкір және таза болуын қадағалау керек.** Жұмыс күйінде сақталатын кескіш аспаптардың сыналаныуы сиректеу болады, оларды басқару жеңілдеу.
- ▶ **Электр құралын, саймандарды, көмекші құрылғыларды және т.б. нұсқауларға сай пайдаланыңыз.** Бұл кезде жұмыс жағдайларын және орындалатын жұмыстың сипатын ескеріңіз. Электр құралдарын басқа мақсаттарда қолдану қауіпті жағдайларға әкелуі мүмкін.
- ▶ **Тұтқыштар мен тұтқыш беттерін таза, құрғақ, май іздерінсіз ұстаңыз.** Сырғанақ тұтқыштар мен олардың беттері белгілі бір жағдайларда электр құралының қауіпсіз қолданылуы мен басқарылуына жол бермейді.

Аккумуляторлық аспапты пайдалану және оған қарау

- ▶ **Аккумуляторды тек өндіруші ұсынған зарядтағыш құрылғылардың көмегімен зарядтаңыз.** Зарядтағыш құрылғыны тиісті емес аккумулятор түрлерін зарядтау үшін қолданғанда өрт туындауы мүмкін.
- ▶ **Аспаппен жұмыс істеу үшін тек тиісті аккумуляторларды қолданыңыз.** Басқа аккумуляторларды пайдалану жарақаттарға әкелуі және өрт тудыруы мүмкін.
- ▶ **Пайдаланылмайтын аккумуляторларды контакттардың тұйықталуының себебі болуы мүмкін скрепкалардан, тындардан, кілттерден, инелерден, винттерден және басқа металл заттардан ары сақтаңыз.** Аккумулятор контакттарының тұйықталуы күйіктерге немесе тұтануға әкелуі мүмкін.
- ▶ **Аккумулятормен тиісті емес түрде жұмыс істегенде одан электролит ағып шығуы мүмкін. Оған тиюді болдырмаңыз.** Кездейсоқ тигенде сумен шайыңыз. Электролит кезге тигенде дәрігер көмегіне жүгініңіз. Аккумулятордан ағып шыққан электролит тері тітіркенуін немесе күйіктерді тудыруы мүмкін.
- ▶ **Зақымдалған не пішіні өзгертілген аккумуляторларды қолданбаңыз.** Зақымдалған не пішіні өзгертілген аккумуляторларды болжауға болмайды және олар өрт, жарылыс не жарақаттану қауіпін тудырады.
- ▶ **Аккумуляторды өрт не жоғары температуралы аймақтардан алшақ ұстаңыз.** Өрт немесе 130 °C (265 °F) жоғары температуралар жарылыс тудыруы мүмкін.
- ▶ **Зарядтау үшін барлық нұсқауларды орындаңыз және аккумулятор не аккумуляторлық құралды ешқашан пайдалану бойынша нұсқаулықта берілген температура ауқымдарынан тыс зарядтамаңыз.** Қате зарядтау немесе рұқсатты температура ауқымдарынан тыс зарядтау аккумуляторды бұзуы және өрт қауіпін арттыруы мүмкін.

Қызмет

- ▶ **Электр құралын жөндеуді тек түпнұсқа қосалқы бөлшектерді қолданатын білікті қызметкерлерге сеніп тапсырыңыз.** Бұл электр құралын қауіпсіз күйде сақтауды қамтамасыз етеді.
- ▶ **Зақымдалған аккумуляторларға ешқашан қызмет көрсетпеңіз.** Аккумулятордың толық күтімін тек өндіруші немесе өкілетті қызмет көрсету орталықтары орындауы тиіс.



Аралату

- ▶ **⚠ ҚАУІПТІ:** Қолдарды аралау орнынан және аралау төсемінен ары ұстаңыз. Екінші қолыңызбен қосымша тұтқышты немесе мотор корпусын ұстаңыз. Егер араны екі қолмен ұстасаңыз, аралау төсемі қолдарыңызды жарақаттауы мүмкін.
- ▶ **Өңделетін бұйымды астынан ұстап алмаңыз.** Қорғаушы қалпақ бөлшек астында аралау төсемінен қорғай алмайды.
- ▶ **Кесу тереңдігін бұйым қалыңдығына сай орнатыңыз.** Бөлшек астында аралау төсемі бір тістен көбірек шықпауы керек.
- ▶ **Аралап жатқан бөлшекті ешқашан қолда немесе аяқ үстінде ұстамаңыз. Бөлшек берік тіректе жатуы керек.** Денеге тию, аралау төсемінің сыналануы немесе бақылауды жоғалту қаупін барынша азайту үшін бөлшекті бекіткен жөн.
- ▶ **Кесетін аспап жасырын электр сымдарын кесуі мүмкін жұмыстарды орындап жатсаңыз, құрылғыны тек изоляцияланған тұтқаларынан ұстаңыз.** Кернеу бар сымдарға тию құрылғының металл бөліктерінде кернеу тудырады және электр тогының соғуына әкеледі.
- ▶ **Бойлай аралау кезінде әрқашан тіректі немесе түзу бағыттауыш жиекті қолданыңыз.** Бұл кесу дәлдігін жақсартады және аралау төсемінің сыналану мүмкіндігін азайтады.
- ▶ **Әрқашан дұрыс өлшемдері мен сәйкес бекіту тесігі (мысалы, жұлдызшалы немесе дөңгелек) бар аралау төсемдерін пайдаланыңыз.** Бекітулерге сай келмейтін аралау төсемдері біркелкі айнамайды және аспапты бақылауды жоғалтуға әкелуі мүмкін.
- ▶ **Аралату төсемдері немесе бұрандалар астына ешқашан зақымдалған немесе сай емес астына салатын сақиналарды қолданбаңыз.** Аралау төсемдері немесе бұрандалар астына салатын сақиналар араңыз үшін арнайы жасалған және оларды қолдану ең жақсы нәтижеге және жұмыс қауіпсіздігіне кепіл береді.

Кері соққы - себептері және тиісті нұсқаулар

- Кері соққы – бұл ілінетін, сыналанатын немесе дұрыс емес тексерілген аралау төсемінің салдарынан болатын күтпеген реакция; ол бақыланбайтын араның бөлшектен оператор бағытында шығуына әкеледі;
- егер аралау төсемі матасатын араланған жерде ілініп қалса немесе сыналанса, онда мотор күші құрылғыны артқа оператор бағытында ұшырып шығарады;
- егер араланған жерде аралау төсемі қисайса немесе дұрыс емес тексерілсе, онда араны артқы жиегінің тістері бөлшек бетіне соқтығуы мүмкін. Бұл аралау төсемінің аралау орнына шығуына және араның оператор бағытында кенет ұшып шығарылуына әкеледі.

Кері соққы араны дұрыс емес немесе қате қолданудың салдары болып табылады. Оны төменде сипатталған тиісті соққы шараларымен болдырмауға болады.

- ▶ **Араны екі қолмен берік ұстаңыз және бұл кезде қолдарды кері соққы күшіне қарсы тұра алатындай орналастырыңыз.** Әрқашан аралау төсемінен ары тұрыңыз, ешқашан аралау төсемін денеңіздің осі бойынша жүргізбеңіз. Кері соққы кезінде ара артқа ыршуы мүмкін, алайда тиісті шаралар қолданылса, оператор кері соққы күшіне қарсы тұра алады.
- ▶ **Аралату төсемі сыналанғанда немесе кесу басқа себеппен үзілсе, сөндіргішті жіберіңіз және араны бөлшекте жай, аралау төсемі толық тоқтағанша ұстаңыз.** Айналып жатқанда немесе кері соққы пайда болуы мүмкін болса ешқашан аралау төсемін бөлшектен шығаруға, артқа жіберуге тырыспаңыз. Аралау төсемінің сыналану себебін табыңыз және сәйкес шаралармен кетіріңіз.
- ▶ **Бөлшекте тұрып қалған араны қайта қосқыңыз келсе, алдымен аралау орнында аралау төсемін ортаға келтіріңіз және төсем тістерінің еркіндігін тексеріңіз.** Сыналанған аралау төсемі араны қайта қосқанда бөлшектен шығуы немесе кері соққы тудыруы мүмкін.
- ▶ **Аралату төсемі сыналанғанда кері соққы қаупін азайту үшін үлкен тақталар тіректерде жатуы керек.** Үлкен тақталар өз салмағынан майысуы мүмкін. Тақталар тіректерде екі жақта да, аралау орнының жанында да, жиекте де жатуы керек.
- ▶ **Өтпес немесе зақымдалған аралау төсемдерін пайдаланбаңыз.** Өтпес немесе дұрыс емес тексерілген тістері бар аралау төсемдері өте тар аралаудың нәтижесінде артық үйкелуге, аралау төсемінің сыналануына және кері соққыға әкеледі.
- ▶ **Аралату алдында аралау тереңдігін және бұрышын реттеу қысқыштарын бекемдеңіз.** Егер аралау кезінде параметрлер өзгерсе ара полотносы қысылып кері соғу пайда болуы мүмкін.
- ▶ **Қабырғаларда немесе басқа көру мүмкін емес аймақтарда аралауды орындау кезінде әсіресе сақ болыңыз.** Бататын аралау төсемі аралау кезінде жасырын нысанда бұғатталуы және кері соққы тудыруы мүмкін.



Қорғауыш қалпақтың функциясы

- ▶ **Әр пайдаланудан алдын қорғауыш қалпақ кедергісіз жабылуын тексеріңіз. Төменгі қорғауыш қалпақтың қозғалысы шектелген және ол бірден жабылмайтын болса, араны пайдаланбаңыз. Қорғауыш қалпақты ешқашан қатты қыспаңыз не тіркемеңіз; әйтпесе аралау төсемінің қорғанысы жойылады.** Егер ара кездейсоқ еденге құласа, онда қорғауыш қақпақ майысуы мүмкін. Қорғауыш қалпақ шектеусіз жылжуын және барлық аралау бұрыштары мен тереңдіктерінде ара полотносы мен басқа бөлшектерге тимеуін қамтамасыз етіңіз.
- ▶ **Төменгі қорғауыш қалпақтың серіппе күйі мен жұмыс істеуін тексеріңіз. Қорғауыш қалпақ және серіппе дұрыс қызмет етпесе, электр құралды жұмысты бастау алдында техникалық қызмет көрсету қызметіне беріңіз.** Зақымдалған бөліктер, жабысатын қалдықтар немесе жоңқаның жиналуы төменгі қорғауыш қалпақтың баяу іске қосылуының себебі болып табылады.
- ▶ **Тік бұрышта орындалмайтын «батырма кесіктерде» тірек тақтасын бүйірлік жылжуға қарсы бекітіңіз.** Жа жалжу ара полотносының қысылуына, сонымен кері соғуға алып келуі мүмкін.
- ▶ **Алдын ала аралау төсемін қорғау қақпағымен жаппай тұрып араны верстаққа немесе еденге қоймаңыз.** Қорғалмаған аралау төсемі шыққан кезде араны кесу бағытына қарсы қозғалтады және жолында тұрғанның барлығын аралайды. Бұл кезде араның шығу ұзақтығын ескеріңіз.

2.3 Қауіпсіздік техникасы бойынша қосымша нұсқаулар

Адамдардың қауіпсіздігі

- ▶ Электр құралында немесе керек-жарақта ешқашан бөйімдеу немесе өзгерту жұмыстарын орындамаңыз.
- ▶ Электр құралын тек сәйкес қорғаныс құралдарымен бірге қолданыңыз.
- ▶ Электр құралы шаңсорғышсыз пайдаланылған жағдайда, шаң пайда болатын жұмыстар өткізген кезде әрдайым жеңіл респираторды киіп жүріңіз.
- ▶ Электр құралын әрдайым екі қолмен арнайы тұтқыштарынан берік ұстаңыз.
- ▶ Қорғауыш құлаққапты киіңіз. Шу әсерінің нәтижесінде есту қабілеті жоғалуы мүмкін.
- ▶ Жұмыс уақытында қолдар төрлемей үшін саусақтарды босату және жаттықтыру үшін үзілістер жасаңыз.
- ▶ Электр құралын әлсіз адамдарға нұсқаусыз пайдалануға тыйым салынады.
- ▶ Электр құралын тек жұмыс орнында және ол жұмыс күйіне орнатылғаннан кейін ғана қосыңыз.
- ▶ Электр құралында мәселелер туындаған, алмалы-салмалы аспаптарды немесе керек-жарақтарды алмастырған жағдайда және электр құралын сақтаған және тасымалдаған кезде аккумуляторды шығарыңыз.
- ▶ Электр құралымен бас үстінен жұмыс істемеңіз.
- ▶ Электр құралын ара төсеміне бүйірден басу арқылы тоқтатуға тыйым салынады.
- ▶ Аккумуляторларды орнату алдында араның өшірулі болғанына және іске қосу құлпының бекітілгеніне көз жеткізіңіз. Осылайша электр құралының кенет іске қосылуынан жарақат алудың алдын аласыз.
- ▶ Электр құралы жұмыс істеп тұрғанда, қыспа фланецке және қыспа бұрандаға тимеңіз.
- ▶ Ара төсемін сақтауға қоймас бұрын электр құралы толықтай тоқтағанша күтіңіз.
- ▶ Алмалы-салмалы аспапты алмастыру алдында электр құралы суығанша күтіңіз.
- ▶ Ара төсемі айналып тұрғанда, шпindelь бекіткішкің іске қосуға тыйым салынады.
- ▶ Электр құралын адамдарға бағытпамаңыз.
- ▶ Керек-жарақтарды немесе аккумуляторларды алмастырған жағдайда, тасымалдау кезінде немесе электр құралын сақтауға қою қажет болғанда, іске қосу құлпы әрдайым бекітілген болуы керек.
- ▶ Әрдайым дайындаманың материалы мен құрамы үшін жарамды ара төсемін қолданыңыз.
- ▶ Осы электр құралына еш жағдайда ешқандай ажарлағыш дискілерді орнатпаңыз.
- ▶ Дайындамаға тек қосылған күйдегі қолмен басқарылатын электр құралын бағыттаңыз.
- ▶ Ара төсеміндегі және өңделетін материалдағы беріліс күшін бейімдеңіз. Осылайша ара төсемінің бұғатталуына және ықтимал кері соққының пайда болуына жол бермейсіз.
- ▶ Ара тістері ұштарының қызып кетуіне жол бермеңіз.
- ▶ Алмалы-салмалы аспапта көрсетілген шекті айналу жиілігі электр құралда көрсетілген ең көп айналу жиілігінен азырақ болмауы керек. Рұқсат етілгеннен көбірек жиілікпен айналатын алмалы-салмалы аспап бұзылуы мүмкін.
- ▶ Шаң қатты басқан ортада жұмыс істемеңіз.



- ▶ Ажарлау, егеуқұм қағазымен тазалау, кесу және бұрғылау кезінде пайда болатын шаңның құрамында қауіпті химиялық заттар болуы мүмкін. Мысалдары келесідей: қорғасын немесе қорғасын негізіндегі бояулар; плитка, бетон және басқа да кірпіш қалау өнімдері, табиғи тас және басқа да силикаттық өнімдер; өмен, шамшат және химиялық затпен өңделген сүрек сияқты белгілі бір сүрек түрлері; асбест немесе құрамында асбест бар материалдар. Пайдаланушы мен оның айналасындағы адамдарға әсер ету дәрежесін өңдеу орындалатын материалдардың қауіп класы бойынша анықтаңыз. Әсерді қауіпсіз деңгейде сақтау үшін шаң жинайтын жүйелерді пайдалану немесе арнайы тыныс алу органдарының қорғанысын киіп жүру сияқты қажетті шараларды қолданыңыз. Әсер ету дәрежесін азайту бойынша жалпы шараларға төмендегілер жатады:
 - ▶ Жақсы желдетілген аймақта жұмыс істеу,
 - ▶ Шаңның ұзақ уақыт бойы тиюіне жол бермеу,
 - ▶ Шаңды көз бен денеден алыстату,
 - ▶ Қорғаныс киімін киіп жүру және әсер етілген жерлерді сумен және сабынмен жуу.
- ▶ Өзіңіз және жұмыс аймағындағы барлық басқа адамдар қолданыс талаптарына сәйкес келетін қорғаныс маскасын әрдайым киіп жүруі керек.
- ▶ Өзіңіз және жұмыс аймағындағы барлық басқа адамдар электр құралын пайдалану барысында жарамды қорғаушы көзілдірік, қорғаушы шлем, көз қорғанысы, қорғаушы қолғап пен қорғаушы аяқ киім киіп жүруі керек.
- ▶ Жұмысты бастау алдында дайындама материалы бойынша пайда болатын шаңның қауіп класын анықтаңыз. Аспаппен жұмыс істеу үшін қорғаныс дәрежесі қолданыстағы шаңнан қорғау нормаларына сай құрылыс шаңсорғышын қолданыңыз.
- ▶ Жұмыс қауіпсіздігі бойынша ұлттық нұсқамаларды орындаңыз.
- ▶ Өңделетін материалды нығайту және тұрақты позицияда сақтау үшін, қысқыш құрылғыларды немесе басқа пайдалы жолдарды қолданыңыз. Өңделетін материалды қолмен немесе денемен ұстау тұрақсыз болып табылады және бақылаудың жоғалуына апарып соғуы мүмкін. Үшінші тарапқа дайындаманы өз орнында ұстауға рұқсат бермеңіз.
- ▶ Кесу кезінде төсемді тексерілмеген жасырын қуыстарға салмаңыз. Ара төсемі бөгде затқа тиген кезде, электр құралының кері соққысы орын алуы мүмкін.
- ▶ Құлап қалған құралдардан және/немесе керек-жарақтардан жарақат алу қаупі бар. Жұмысты бастау алдында монтаждалатын керек-жарақтың берік бекітілгенін тексеріңіз.
- ▶ Шаңжинағышпен аралау кезінде шаңнан қорғайтын қаптаманы немесе сорғыш шлангіні ұстамаңыз. Көп шаң шығаратын материалдарда электрстатикалық соққының артқан қаупі туындауы мүмкін.
- ▶ Кесік жолында шегелер, бұрандалар немесе басқа металл бөліктер сияқты бөгеттердің жоқтығына көз жеткізіңіз.
- ▶ Тек қана EN 847-1 стандартына сәйкес келетін, Hilti компаниясы ұсынған ара төсемдерін қолданыңыз.
- ▶ Пластикті аралау кезінде дайындаманың тым ыстық болмағанына және балқымағанына көз жеткізіңіз.

Электр қауіпсіздігі

- ▶ Жұмысты бастау алдында жұмыс орнында жасырын электр сымдарының, газ және су жүргізу құбырларының бар-жоғын тексеріңіз, мысалы, детектордың көмегімен. Электр сымдарына кездейсоқ тиіп кетсе, электр құралының ашық металл бөліктері электр тогының өткізгіштеріне айналуы мүмкін. Нәтижесінде асқын ток соғу қаупі туындайды.

2.4 Аккумулятормен дұрыс жұмыс істеу және оны дұрыс пайдалану

- ▶ **Литий-иондық аккумуляторларды пайдалану және күту бойынша төмендегі қауіпсіздік шараларын орындаңыз.** Нұсқауларды орындамау тері тітіркенуіне, ауыр тот басқыш жарақаттарға, химиялық күйіктерге, өрттенуге және/немесе жарылысқа апарып соғуы мүмкін.
- ▶ Аккумуляторларды тек техникалық мінсіз күйінде қолданыңыз.
- ▶ Зақымдалуды болдырмау және денсаулыққа қатты зиян келтіре алатын сұйықтықтардың шығуына жол бермеу үшін аккумуляторларды абайлап қолданыңыз!
- ▶ Аккумуляторларды ешбір жағдайда модификациялауға немесе құрылымына өзгеріс енгізуге болмайды!
- ▶ Аккумуляторларды бөлшектеуге, қысуға, 80°C (176°F) шамасынан жоғары температураға дейін қыздыруға және жағуға тыйым салынады.
- ▶ Соққы тиген немесе басқаша зақымдалған аккумуляторларды пайдаланбаңыз немесе зарядтамаңыз. Аккумуляторларда зақымдалу белгілерінің бар-жоғын жүйелі түрде тексеріп тұрыңыз.
- ▶ Еш жағдайда қайта өңделген немесе жөнделген аккумуляторларды пайдаланбаңыз.



- ▶ Ешқашан аккумуляторды немесе аккумуляторлық электр құралын соқпа құрал ретінде пайдаланбаңыз.
- ▶ Аккумуляторларға ешқашан тікелей күн сәулесі, жоғары температура, ұшқын немесе ашық жалын әсерін тигізбеңіз. Бұл жарылысқа апарып соғуы мүмкін.
- ▶ Батарея полюсіне саусақпен, құралдармен, әшекеймен немесе басқа да электр тогын өткізетін бөгде заттармен тимеңіз. Бұл аккумуляторға зақым келтіруі, сондай-ақ мүлікке залал келтіруі және жарақат алуға әкелуі мүмкін.
- ▶ Аккумуляторларды жаңбыр, ылғал мен сұйықтықтарда алшақ ұстаңыз. Еніп кеткен ылғал қысқа тұйықталу, ток соғу, күйіп қалу, өртену және жарылыс қаупін тудыруы мүмкін.
- ▶ Тек осы аккумулятор түрі үшін көзделген зарядтағыш құрылғылар мен электр құралдарын пайдаланыңыз. Бұл ретте тиісті пайдалану бойынша нұсқаулықтардағы мәліметтерге назар аударыңыз.
- ▶ Аккумуляторды жарылғыш орталарда пайдаланбаңыз немесе сақтамаңыз.
- ▶ Егер тиген кезде аккумулятор тым ыстық болса, ол ақаулы болуы мүмкін. Аккумуляторды тұтанғыш материалдардан жеткілікті қашықтықта орналасқан, жақсы көрінетін, тұтанбайтын жерге қойыңыз. Аккумуляторды суытыңыз. Аккумулятор бір сағаттан кейін әлі де қолға ыстық болып тұрса, бұл оның ақаулы екендігін білдіреді. **Hilti** қызмет көрсету орталығына жолығыңыз немесе «Қауіпсіздік және **Hilti** Li-Ion аккумуляторын пайдалану бойынша нұсқаулар» атты құжатты оқып шығыңыз.

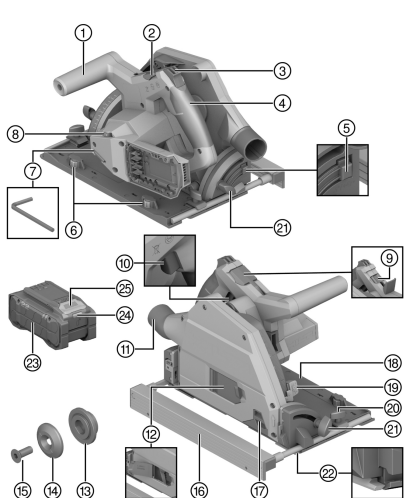


Литий-иондық аккумуляторларды тасымалдау, сақтау және пайдалану үшін қолданылатын арнайы директиваларды ескеріңіз. 209

Аталмыш пайдалану бойынша нұсқаулықтың соңындағы QR кодын сканерлеу арқылы табуға болатын **Hilti** Li-Ion аккумуляторларына арналған қауіпсіздік және пайдалану бойынша нұсқауларды оқып шығыңыз.



3.1 Өнімге шолу



- ① Қосымша тұтқыш
- ② Ара төсемін алмастыруға арналған бекіткіш иінтірек
- ③ Іске қосу құлпы
- ④ Басты тұтқыш
- ⑤ -1° және 47° кесік бұрышының құлыптан босату тұтқасы
- ⑥ Саңылауды көтіруге арналған реттегіш дөңгелек (тірек тақтасындағы бағыттауыш шина мен бағыттауыш ойық арасындағы саңылау)
- ⑦ Алты қырлы кілт
- ⑧ Ара төсемінің айналу жиілігін реттегіш дөңгелек
- ⑨ Шпindelь бекіткіші
- ⑩ Негізгі сөндіргіш
- ⑪ Жоңқаны шығаруға арналған келте құбыр / жалғағыш келте құбыр
- ⑫ Ара төсемін алмастыруға арналған монтаждық қалпақ
- ⑬ Бекіткіш фланец
- ⑭ Қыспа фланец
- ⑮ Қыспа бұранда
- ⑯ Параллель тірек
- ⑰ Жылжымалы шаңнан қорғайтын терезе
- ⑱ Тірек тақтасы
- ⑲ Кесу тереңдігін орнату
- ⑳ Параллель тіректің қыспа бұрандасы
- ㉑ Кесік бұрышын реттеу тетігінің қыспа бұрандасы
- ㉒ Адаптивті кесік индикаторы
- ㉓ Аккумулятор
- ㉔ Аккумулятордың күй индикаторы
- ㉕ Аккумуляторды құлыптан босату түймесі

3.2 Мақсатына сай қолдану

Сипатталған өнім аккумуляторлық батырмалы циркулярлық ара болып табылады. Ол тек төмендегі материалдарда аралау жұмыстарына және батырмалы кесіктер жасауға арналған:

- Ағаш және ағашқа ұқсас материалдар
- Пластик
- Гипскартон тақталары
- Цемент талшықты плиталар
- Түрлі-түсті металдар

Өнім кесу жұмыстары мен ішкі әрлеу жұмыстарына арналған.

Қол циркулярлық арасы әдеттегі сорғыш шлангілерге жобаланған қосымша шаңжинағышқа арналған жалғағыш келте құбырмен жабдықталған. Шаң тазалағыш шлангіні арамен байланыстыру үшін жарамды адаптер қажет болуы мүмкін.

Тек өнім үшін рұқсат етілген, техникалық спецификациядағы мәліметтерге сәйкес келетін (мысалы, диаметрі, айналу жиілігі, қалыңдығы, материалы және т.б.) ара төсемдерін қолданыңыз. Жоғары шынықтырылған жылдам кескіш болаттан (HSS) жасалған ажарлағыш пен кескіш дискілер және ара төсемдері рұқсат етілмейді.

Тірек тақтасы үшін жеткілікті үлкен тіреуіш бетті ұсынатын тегіс дайындамаларды ғана аралаңыз.



- Бұл өнім үшін тек В 22 сериялы **Hilti** Li-Ion аккумуляторларын пайдаланыңыз. **Hilti** компаниясы бұл өнім үшін осы пайдалану бойынша нұсқаулықтың соңындағы кестеде көрсетілген аккумуляторларды пайдалануға кеңес береді.
- Бұл аккумуляторлар үшін тек осы пайдалану бойынша нұсқаулықтың соңында белгіленген серияға жататын **Hilti** зарядтағыш құрылғыларын қолданыңыз.

3.3 Жеткізілім жинағы

Аккумуляторлық циркулярлық ара, ара төсемі, пайдалану бойынша нұсқаулық



Оған қоса өніміңіз үшін рұқсат етілген жүйелік өнімдерді **Hilti Store** дүкенінде немесе мына веб-сайттан табуға болады: www.hilti.group

3.4 Li-Ion аккумуляторының индикаторлары

Hilti Nuron Li-Ion аккумуляторлары аккумуляторлардың заряд деңгейін, ақаулық туралы хабарларын және күйін көрсете алады.

3.4.1 Заряд деңгейінің және ақаулық туралы хабарлардың индикаторлары



ЕСКЕРТУ

Жарақат алу қаупі аккумулятордың құлауынан!

- ▶ Аккумулятор енгізілген кезде, құлыптан босату түймесін басқаннан кейін аккумулятордың пайдаланылатын өнімге тиісінше бекітілгеніне көз жеткізіңіз.

Төмендегі индикация көрсеткіштерінің біріне қол жеткізу үшін аккумулятордың құлыптан босату түймесін қысқаша басыңыз.

Заряд деңгейі және ықтимал ақаулықтар жалғанған өнім қосылып тұрған кезде үздіксіз көрсетіледі.

Құралдың бөлшектері	Сипаттамасы
Төрт (4) жарық диоды жасыл түспен тұрақты жанып тұр	Заряд деңгейі: 100% және 71% аралығында
Үш (3) жарық диоды жасыл түспен тұрақты жанып тұр	Заряд деңгейі: 70% және 51% аралығында
Екі (2) жарық диоды жасыл түспен тұрақты жанып тұр	Заряд деңгейі: 50% және 26% аралығында
Бір (1) жарық диоды жасыл түспен тұрақты жанып тұр	Заряд деңгейі: 25% және 10% аралығында
Бір (1) жарық диоды жасыл түспен баяу жыпылықтайды	Зарядтау күйі: < 10%
Бір (1) жарық диоды жасыл түспен жылдам жыпылықтайды	Li-Ion аккумуляторының заряды толықтай таусылды. Аккумуляторды зарядтаңыз. Жарық диоды аккумуляторды зарядтағаннан кейін сонда да жылдам жыпылықтаса, Hilti қызмет көрсету орталығына хабарласыңыз.
Бір (1) жарық диоды сары түспен жылдам жыпылықтайды	Li-Ion аккумуляторы немесе оған байланысты өнімге артық жүктеме түсті, қатты қызып кетті немесе басқа ақаулық орын алды. Өнім мен аккумуляторды ұсынылған жұмыс температурасына жеткізіңіз және өнімді пайдаланған кезде оған артық жүктеме түсірмеңіз. Хабар көрсетіле берсе, Hilti қызмет көрсету орталығына хабарласыңыз.
Бір (1) жарық диоды сары түспен жанып тұр	Li-Ion аккумуляторы және оған қосылған өнім үйлесімді емес. Hilti қызмет көрсету орталығына хабарласыңыз.
Бір (1) жарық диоды қызыл түспен жылдам жыпылықтайды	Li-Ion аккумуляторы құлыптаулы және оны бұдан былай пайдалану мүмкін емес. Hilti қызмет көрсету орталығына хабарласыңыз.



3.4.2 Аккумулятор күйін көрсететін индикаторлар

Аккумулятордың күйін шақыру үшін құлыптан босату түймесін үш секундтан артық басып тұрыңыз. Жүйе құлату, тесу, сыртқы жылудан зақым келтіру және т.с.с. қате қолданудан туындаған батареяның ақаулығын анықтамайды.

Құралдың бөлшектері	Сипаттамасы
Барлық жарық диодтары жұмыс шамы ретінде жанады, содан кейін бір (1) жарық диоды жасыл түспен тұрақты жанады.	Аккумуляторды ары қарай пайдалануға болады.
Барлық жарық диодтары жұмыс шамы ретінде жанады, содан кейін бір (1) жарық диоды сары түспен жылдам жыпылықтайды.	Аккумулятор күйі туралы сұрауды орындау мүмкін болмады. Әрекетті қайталаңыз немесе Hilti қызмет көрсету орталығына жолығыңыз.
Барлық жарық диодтары жұмыс шамы ретінде жанады, содан кейін бір (1) жарық диоды қызыл түспен тұрақты жанады.	Жалғанған өнімді ары қарай пайдалану мүмкін болса, бұл қалған аккумулятор қуатының 50% шамасынан төмен болғанын білдіреді. Жалғанған өнімді ары қарай пайдалану мүмкін болмаса, бұл аккумулятордың қызмет ету мерзімі аяқталғанын және оны алмастыру керек екендігін білдіреді. Hilti қызмет көрсету орталығына хабарласыңыз.

4 Техникалық сипаттамалар

4.1 Өнім сипаттары

	SC 6WP-22
Өнім буыны	01
Салмағы	3,3 кг (ЕРТА-Procedure 01 бойынша аккумуляторсыз)
Салмағы (параллель тірек)	0,45 кг
Габаритті өлшемдері (Ұ×Е×Б)	360 мм × 200 мм × 237 мм
Діңгең төсемінің қалыңдығы	1 мм ... 1,5 мм
Максималды кесу тереңдігі	57 мм
Жүктемесіз номиналды айналу жиілігі	6000 А/мин
Номиналды кернеу	21,6 В

4.2 Ара төсемінің түрлері және қолданыстар

Ара төсемінің түрі	Қолдану бойынша нұсқау
Әмбебап ара төсемі Жұқа кесікке арналған ара төсемі	Ағаш және оның негізіндегі материалдар
Талшықты цементке арналған ара төсемі	Талшықты цемент немесе оның негізіндегі материалдар

4.3 Сақтау және пайдалану температурасы

Сақтау температурасы	-20 °C ... 70 °C
Жұмыс кезіндегі қоршаған орта температурасы	-17 °C ... 60 °C

4.4 Аккумулятор

Аккумулятордың жұмыс кернеуі	21,6 В
Аккумулятор салмағы	Осы пайдалану бойынша нұсқаулықтың соңында қараңыз



Жұмыс кезіндегі қоршаған орта температурасы	-17 °C ... 60 °C
Сақтау температурасы	-20 °C ... 40 °C
Зарядтаудың басындағы аккумулятор температурасы	-10 °C ... 45 °C

4.5 Шуыл туралы ақпарат және діріл мәні

Осы нұсқауларда көрсетілген дыбыс қысымы мен діріл деңгейі стандартты өлшеу әдісімен өлшенген және оны басқа электр құралдарымен салыстыру үшін пайдалануға болады. Сонымен бірге, ол экспозицияны алдын ала бағалау үшін жарайды.

Берілген деректер электр құралының негізгі жұмысын көрсетеді. Алайда, егер электр құралы басқа мақсаттарда, басқа жұмыс аспаптарымен қолданылса немесе оған қанағаттандырмайтын техникалық қызмет көрсетілсе, деректер өзгеше болуы мүмкін. Осының салдарынан аспаптың бүкіл жұмыс істеу кезеңінде экспозиция айтарлықтай артуы мүмкін.

Экспозицияны дәл анықтау үшін электр құралы сөндірілген күй немесе бос жұмыс істейтін уақыт аралықтарын да ескеру керек. Осының салдарынан аспаптың бүкіл жұмыс істеу кезеңінде экспозиция айтарлықтай азаюы мүмкін.

Пайдаланушыны пайда болатын шуылдан және/немесе дірілден қорғау үшін қосымша сақтық шараларын қолданыңыз, мысалы: электр аспабына және жұмыс аспаптарына техникалық қызмет көрсету, қолдардың жылуын сақтау, жұмыс процестерін дұрыс ұйымдастыру.



Осы құжатта қолданылатын EN 62841 стандарттарының нұсқалары туралы толық ақпарат сәйкестік бойынша декларацияның суретінде 314 берілген.

Шуыл туралы ақпарат

Дыбыс күшінің деңгейі (L_{WA})	106 дБ(А)
Дыбыс күшінің деңгейі бойынша дәлсіздік (K_{WA})	3 дБ(А)
Дыбыс қысымының деңгейі (L_{pA})	98 дБ(А)
Дыбыс қысымының деңгейі бойынша дәлсіздік (K_{pA})	3 дБ(А)

Дірілдің жалпы көрсеткіштері

Ағаш жоңқалы тақтаны аралау ($a_{n,w}$)	B 22-55	0,9 м/с ²
Табақ алюминийді аралау ($a_{n,m}$)	B 22-55	1,7 м/с ²
Дәлсіздік (K)		1,5 м/с ²

5 Жұмысқа дайындық



ЕСКЕРТУ

Жарақат алу қаупі абайсыздан қосылу себебінен!

- ▶ Аккумуляторды орнату алдында оған қатысты өнімнің өшірілгеніне көз жеткізіңіз.
- ▶ Аспап реттеулерін орындау немесе қосалқы бөлшектерді алмастыру алдында аккумуляторды шығарыңыз.

Осы құжаттамадағы және өнімдегі қауіпсіздік және ескерту нұсқауларын орындаңыз.

5.1 Аккумуляторды зарядтау

1. Зарядтау алдында зарядтағыш құрылғының пайдалану бойынша нұсқаулығын оқып шығыңыз.
2. Аккумулятордағы және зарядтағыш құрылғыдағы контактілердің таза әрі құрғақ екендігіне көз жеткізіңіз.
3. Аккумуляторды рұқсат етілген зарядтағыш құрылғы ішінде зарядтаңыз. 200



5.2 Аккумуляторды орнату

ЕСКЕРТУ

Жарақат алу қаупі қысқа тұйықталудан немесе аккумулятордың құлауынан!

- ▶ Аккумуляторды орнату алдында аккумулятор контактілерінде және өнімдегі контактілерде бөгде заттардың жоқтығына көз жеткізіңіз.
- ▶ Аккумулятордың әркез дұрыс орнатылғанына көз жеткізіңіз.

1. Аккумуляторды алғаш рет іске қоспас бұрын зарядтаңыз.
2. Аккумуляторды өнімге шерту дыбысымен тірелгенше кіргізіңіз.
3. Аккумулятордың аспапқа берік бекітілгенін тексеріңіз.

5.3 Аккумуляторды шығару

1. Аккумулятордың құлыптан босату түймесін басыңыз.
2. Аккумуляторды өнімнен шығарыңыз.

5.4 Биіктен құлаудан қорғаныс

ЕСКЕРТУ

Жарақат алу қаупі құралдың және/немесе керек-жарақтың құлауынан!

- ▶ Тек өнім үшін ұсынылған **Hilti** құрал ұстағыш арқанын қолданыңыз.
- ▶ Құрал ұстағыш арқанның бекіту нүктесінде әр пайдалану алдында зақымдардың бар-жоғын тексеріп шығыңыз.

Биік жерде жұмыс істеу бойынша ұлттық нұсқамаларды орындаңыз.

Бұл өнім үшін биіктен құлаудан қорғаныс ретінде тек **Hilti** компаниясы ұсынған #2261971 құрал ұстағыш арқанын қолданыңыз.

- ▶ Құрал ұстағыш арқанын ілмегімен суретте көрсетілгендей өнімге бекітіңіз. Берік бекітілгенін тексеріңіз.
- ▶ Карабинді жүк көтеретін құрылымға бекітіңіз. Карабиннің берік бекітілгенін тексеріңіз.



Hilti құрал ұстағыш арқанының пайдалану бойынша нұсқаулықтарына назар аударыңыз.

5.5 Батырмалы блокты монтаждау күйіне келтіру



Батырмалы блокта монтаждау күйі бар. Бұл күйде қыспа бұрандаға монтаждау терезесі арқылы қол жеткізуге болады. Бекіткіш иінтірек арқылы монтаждау күйін орнатуға болады. Бекіткіш иінтіректі кері қайырған (бастапқы күй) кезде, батырмалы блок кері серпіледі. Батырмалы блокты бастапқы күйге абайлап апару үшін өнімді басты тұтқышынан ұстаңыз.

1. Өнімді максималды кесік тереңдігімен батыру мүмкін болатындай орналастырыңыз (мысалы, үстел жиегіне).
2. Ара төсемін монтаждауға арналған монтаждық қалпақты ашыңыз.
3. Кесік тереңдігін реттеу индикаторын максималды мәнге **(1)** орнатыңыз.
4. Бекіткіш иінтіректі жоғары қарай (монтаждау күйі) **(2)** қайырыңыз.
5. Іске қосу құлпын **(3)** басып тұрыңыз да, батырмалы блокты монтаждау күйіне батырыңыз.
 - ▶ Батырмалы блок монтаждау күйінде шерту дыбысымен тіреледі.
 - ▶ Қыспа бұранда визуалды түрде монтаждау терезесінің ортасында орналасады.



5.6 Төсемді алу 4

ЕСКЕРТУ

Ара төсемі, қыспа бұранда мен қыспа фланецтен күйіп қалу және кесіліп қалу қаупі бар Нәтижесінде күйіп қалуға және кесіліп қалуға болады.

► Ауыстырылатын аспапты ауыстырғанда қорғауыш қолғаптарды қолданыңыз.

1. Батырмалы блокты монтаждау күйіне келтіріңіз. 204
2. Шпиндель бекіткішін басып тұрыңыз (1).
3. Ішкі алты қырлы кілттің көмегімен қыспа бұранданы босатыңыз (2).

Айналу бағытының көрсеткісіне назар аударыңыз: Қыспа бұранда ара төсемінің айналу бағытымен босатылады.

4. Қыспа бұранда мен қыспа фланецті алып тастаңыз.
5. Ара төсемін қорғауыш қаптамасынан төмен қаратып алыңыз.

Қажет болса, қыспа фланецті тазалау үшін алып тастауға болады.

5.7 Ара төсемін орнату 5, 6

Орнатылған төсем техникалық талаптарға сай екеніне және жақсы өткірленгеніне көз жеткізіңіз. Үшкір өткірленген төсем – мінсіз кесу кепілі.

Әр қолдану алдында әрдайым кесілетін материалға жарамды ара төсемін таңдаңыз.

1. Батырмалы блокты монтаждау күйіне келтіріңіз. 204
2. Бекіткіш фланецті және қыспа фланецті тазалаңыз (1).
3. Бекіткіш фланецті қозғалғыш шпиндельге тиісті бағдармен кигізіңіз.
4. Жаңа ара төсемін орнатыңыз (2).
 - Ара төсеміндегі (3) және қорғауыш қаптамадағы (4) айналу бағытының көрсеткісіне назар аударыңыз. Екі айналу бағыты көрсеткісінің бағыты сәйкес келуі керек.
5. Қыспа фланецті дұрыс бағдармен кигізіңіз.
6. Қыспа бұранданы бұрап кіргізіңіз.
7. Шпиндель бекіткішін басып тұрыңыз (5).
8. Ішкі алты қырлы кілттің көмегімен қыспа бұранданы мықтап тартыңыз (6).

Айналу бағытының көрсеткісіне назар аударыңыз: қыспа бұранда ара төсемінің айналу бағытына қарсы бұрап бекітіледі.

9. Ара төсемінің дұрыс орнатылғанын тексеріп шығыңыз.
10. Өнімді басты тұтқышынан дұрыстап ұстаңыз.
11. Бекіткіш интiрeктi бастапқы күйіне орнатып, батырмалы блокты бастапқы күйіне қайта қайырыңыз (7).
12. Ара төсемін монтаждауға арналған монтаждық қалпақты жабыңыз.

5.8 Жылжымалы шаңнан қорғайтын терезе

Жоңқаңның оңтайлы сорылуын қамтамасыз ету үшін шаңнан қорғайтын терезені әрдайым дайындамаға барынша жақын жылжытыңыз.

5.9 Кесік тереңдігін орнату 7



Реттелген аралау тереңдігі әрқашан аралап жатқан материалдың қалыңдығынан шамамен 5-10 мм көбірек болуы керек.

1. Кесік тереңдігін реттеуге арналған босату тетігін (1) басып тұрыңыз.
2. Жапқышты қажетті кесік тереңдігіне (2) жылжытыңыз.
 - Кесік тереңдігінің индикаторында бағыттауыш шинамен кесу (3) және бағыттауыш шинасыз кесу (4) үшін бөлек индикация бар.
3. Кесік тереңдігін реттеуге арналған босату тетігін жіберіңіз.



5.10 Қиғаш кесуге арналған кесік бұрышын реттеу

- Бұрап бекіту кезінде қосымша тұтқышқа немесе араға қысым қолданбау арқылы алдыңғы мен артқы жақта әртүрлі бұрыш реттеулерінің орнатылуына жол бермеңіз. Бұрыш реттеулері әртүрлі болған жағдайда, кесу әрекеті бұдан былай түзу орындалмауы мүмкін.

1. Кесік бұрышын реттеу тетігінің (1) 2 қыспа бұрандасын босатыңыз.
2. Өнімді қалаулы кесік бұрышына қайырыңыз.
 - ▶ -1° шамасындағы немесе 45° шамасынан жоғары (ең көбі 47°) бұрышты орнатқыңыз келсе, құлыптан босату түймесін (2) басып тұрыңыз.
3. Кесік бұрышын реттеу тетігінің екі қыспа бұрандасының бірін бұрап бекітіңіз.
4. Кесік бұрышын реттеу тетігінің қарама-қарсы қыспа бұрандасын бұрап бекітіңіз.

5.11 Ара төсемінің айналу жиілігін реттеу

Әрдайым пайдаланылатын ара төсемі мен өңделетін материал үшін жарамды айналу жиілігін пайдаланыңыз. Реттелген айналу жиілігі ара тістерінің қатты қызып кетуіне жол бермеуге және ара төсемдерінің қызмет ету мерзімін ұзартуға көмектеседі.

- ▶ Айналу жиілігін таңдау дөңгелегін тиісті күйге бұраңыз.

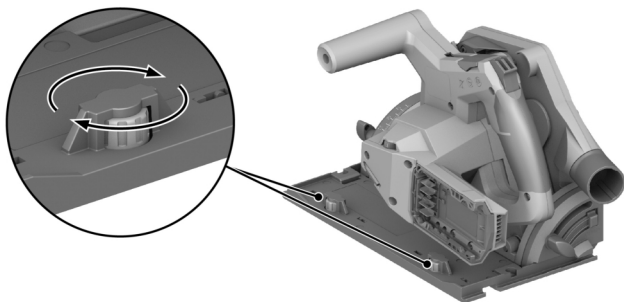
5.12 Параллель тіректі монтаждау

Өнімге монтаждау түріне байланысты параллель тірек екі функцияның бірін орындауы мүмкін:

- L тәрізді жиек төмен қарап тұр:
Жиек бойымен біркелкі кесіктерге арналған параллель тірек.
- L тәрізді жиек жоғары қарап тұр:
Бағыттауыш шинасыз кесу кезінде тұрақты бағыттауға арналған тірек тақтасының кеңейтімі.

1. Қыспа бұрандаларды босатыңыз.
2. Параллель тіректі тірек тақтасының монтаждық бекіткіштеріне кіргізіңіз.
3. Параллель тіректі кесік үшін қажетті арақашықтыққа орнатыңыз.
 - ▶ Екі жақтағы арақашықтық мәндері бірдей болғанына көз жеткізіңіз.
4. Екі қыспа бұранданы мықтап тартыңыз.

5.13 Өнімді бағыттауыш шинаға орнату



1. Өнімді ойығымен бағыттауыш шинадағы тірек тақтасына енгізіңіз.
2. Бағыттауыш шина мен тірек тақтасының арасындағы саңылауды тексеріңіз.
3. Саңылауды эксцентрікті бұрандалар (1) арқылы реттеп шығыңыз:
 - ▶ Саңылауды азайту үшін эксцентрікті бұрандаларды сағат тілінің бағытымен бұраңыз.
 - ▶ Саңылауды үлкейту үшін эксцентрікті бұрандаларды сағат тілінің бағытына қарсы бұраңыз.
4. Саңылауды сырғу қозғалысына әсер етпей барынша аз болатындай орнатыңыз.



6 Қызмет көрсету

Осы құжаттамадағы және өнімдегі қауіпсіздік және ескерту нұсқауларын орындаңыз.

6.1 Қосу немесе өшіру

Қосу

1. Іске қосу құлпын жоғары қарай басып тұрыңыз.
2. Ажыратқышты басып тұрыңыз.
3. Іске қосу құлпын жіберіңіз.



Ажыратқыш басылып тұрған немесе батырмалы блок батырылған күйде орналасқан кезде, іске қосу құлпы босатылған күйде тұрады. Батырмалы блок бастапқы күйде орналасқан және ажыратқыш жіберілген кезде, іске қосу құлпы автоматты түрде құлыпталған күйге ауысады.

Өшіру

4. Батырмалы блокты бастапқы күйге қайта келтіріңіз.
5. Ажыратқышты жіберіңіз.

6.2 Шаң мен жоңқаны басқару

• Шаңжинағышпен аралау:

Сорғыш шлангіні сорғыш келте құбырға жалғап, шаңжинағыштың пайдалану бойынша нұсқаулығындағы нұсқауларды орындаңыз.

• Шаң жинағыш қаппен аралау:

Шаң жинағыш қапты адаптерімен шаңжинағышқа арналған сорғыш келте құбырға жалғаңыз.



Өнімді шаң жинау әдісісіз де пайдалануға болады. Аралау шаңы мен жоңқаны еркін шығаруға болатынын көз жеткізіңіз.

6.3 Сызат бойынша аралау



Тірек тақтасы үшін жеткілікті үлкен тіреуіш бетті ұсынатын тегіс дайындамаларды ғана аралаңыз.

1. Дайындаманы жылжып кетуден бекітіп, кесік бағытын (кертілген таңба) белгілеңіз.
2. Кесік тереңдігін орнатыңыз. 205
3. Өнімді адаптивті кесік индикаторымен белгі сызыққа қойыңыз.
4. Өнімді қосыңыз. 207
 - ▶ Өнімнің батқандағы қозғалысы қосу/өшіру қосқышы құлыптан босатылған кезде ғана мүмкін болады.
5. Батырмалы блокты дайындамаға тірелгенше батырыңыз (1).
6. Өнімді дайындама арқылы қолайлы жұмыс жылдамдығымен бағыттаңыз.
7. Ара төсемі айналып тұрған кезде, батырмалы блокты бастапқы күйге қайтарыңыз (2).



Осылайша ара төсемінің дайындамада қысылып қалуын болдырмайсыз.

8. Батырмалы блок бастапқы күйге орнатылғаннан кейін, өнімді өшіріңіз. 207



6.4 Батырып кесу әрекетін орындау


1. Кесік тереңдігін орнатыңыз. 205
2. Өнімді дайындама үстіне қойыңыз.
3. Өнімді қосыңыз. 207
 - ▶ Өнімнің батқандағы қозғалысы қосу/өшіру қосқышы құлыптан босатылған кезде ғана мүмкін болады.
4. Өнімді дайындамаға тірелгенше батырыңыз.
5. Өнімді дайындама арқылы қолайлы жұмыс жылдамдығымен бағыттаңыз.
6. Өнімді дайындамадан шығарыңыз.
7. Батырмалы блок бастапқы күйге орнатылғаннан кейін, өнімді өшіріңіз. 207


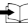



6.5 Қиғаш кесу әрекетін орындау (бұрыштық кесік)

i Өнімде реттелген кесік бұрышына бейімделетін адаптивті кесік индикаторы бар. Адаптивті кесік индикаторы тек бағыттауыш шинасыз кесу әрекеттері үшін жарамды. Бағыттауыш шинамен кескен кезде, кесік сызығы конструкцияға байланысты реттелген кесік бұрышынан тәуелсіз болады.

1. Қиғаш кесуге арналған кесік бұрышын реттеңіз.  206
2. Өнімді адаптивті кесік индикаторымен белгі сызыққа қойыңыз.
3. Өнімді қосыңыз.  207
4. Батырмалы блокты дайындамаға батырыңыз.
5. Өнімді бағыттауыш шина бойымен дайындама арқылы жүргізіңіз.

6.6 Бағыттауыш шинамен аралап кесу  10

1. Бағыттауыш шинаны 2 струбцинамен бекітіңіз.
2. Тірек тақтасын ойығымен бағыттауыш шинаның бағыттауыш қабырғасына орнатыңыз.
3. Қиғаш кесуге арналған кесік бұрышын реттеңіз.  206
4. Кесік тереңдігін орнатыңыз.  205
5. Өнімді қосыңыз.  207
6. Батырмалы блокты дайындамаға батырыңыз.
7. Өнімді бағыттауыш шина бойымен дайындама арқылы жүргізіңіз.

7 Күтім және техникалық қызмет көрсету** ЕСКЕРТУ**

Аккумулятор енгізілген кезде жарақат алу қаупі бар !

- ▶ Күтім және техникалық қызмет көрсету бойынша кез келген жұмыстарды орындамас бұрын әрдайым аккумуляторды шығарыңыз!

Өнімге қызмет көрсету

- Қатты жабысып қалған кірді абайлап кетіріңіз.
- Бр болса, желдету саңылауларын құрғақ, жұмсақ қылшақпен мұқият тазалаңыз.
- Корпусты сәл суланған шүберекпен ғана тазалаңыз. Ешқандай силикон қамтитын күтім құралдарын пайдаланбаңыз, себебі олар пластик бөлшектерге зақым келтіруі мүмкін.
- Өнімнің контактілерін тазалау үшін таза, құрғақ шүберекті қолданыңыз.

Литий-иондық аккумуляторға қызмет көрсету

- Еш жағдайда желдету саңылаулары бітелген аккумуляторды қолданбаңыз. Желдету саңылауларын құрғақ, жұмсақ қылшақпен жақсылап тазалаңыз.
- Аккумуляторға шаңның немесе кірдің қажетсіз тиюіне жол бермеңіз. Аккумуляторға қатты ылғалдың тиюіне ешқашан жол бермеңіз (мысалы, суға батыру немесе жаңбыр астына қою арқылы). Аккумулятор су болса, оны зақымдалған аккумулятор ретінде қарастырыңыз. Оны тұтанбайтын контейнерге оқшаулап, **Hilti** қызмет көрсету орталығына хабарласыңыз.
- Аккумуляторды бөгде май мен майлағыштан таза ұстаңыз. Аккумуляторда шаң не кірдің қажетсіз жиналуына жол бермеңіз. Аккумуляторды құрғақ, жұмсақ қылшақпен немесе таза, құрғақ шүберекпен тазалаңыз. Ешқандай силикон қамтитын күтім құралдарын пайдаланбаңыз, себебі олар пластик бөліктерге зақым келтіре алады. Аккумулятордың контактілеріне тиіменіз және зауыттан тыс қолданылған майды контактілерден кетіріңіз.
- Корпусты сәл суланған шүберекпен ғана тазалаңыз. Ешқандай силикон қамтитын күтім құралдарын пайдаланбаңыз, себебі олар пластик бөлшектерге зақым келтіруі мүмкін.

Техникалық қызмет көрсету

- Көзге көрінетін барлық бөлшектерде зақымдардың бар-жоғын және басқару элементтерінің ақаусыз жұмысын жиі тексеріп тұрыңыз.
- Өнім зақымдалған және/немесе ақаулы болған жағдайда, оны пайдаланушы болмаңыз. Өнімді міндетті түрде **Hilti** қызмет көрсету орталығында жөндетіңіз.



- Күтім және техникалық қызмет көрсету жұмыстарынан кейін барлық қорғауыш құрылғыларды орнатып, олардың ақаусыз жұмыс істегенін тексеріңіз.



Қауіпсіз жұмысты қамтамасыз ету үшін тек түпнұсқа қосалқы бөлшектер мен шығын материалдарын қолданыңыз. **Hilti** мақұлдаған қосалқы бөлшектер, шығын материалдары мен өнімге арналған керек-жарақтар **Hilti Store** дүкенінде немесе келесі веб-сайтта қолжетімді: www.hilti.group

7.1 Қорғауыш қаптаманы тазалау

1. Қорғауыш қаптаманы жайлап құрғақ щеткамен тазалаңыз.
2. Қорғауыш қаптаманың ішіндегі шөгінділер мен жоңқаны арнайы құралмен жойыңыз.

7.2 Жоңқаны шығаруға арналған арнаны тазалау

1. Егер сорғыш келте құбырға шаңжинағыш орнатылған болса, сорғыш шлангіні сорғыш келте құбырдан алып тастаңыз.
2. Жоңқаны шығаруға арналған арнаны қылшақпен тазалаңыз.

8 Аккумуляторлық құралдар мен аккумуляторларды тасымалдау және сақтау

Тасымалдау



АБАЙЛАҢЫЗ

Тасымалдау кезіндегі кенет іске қосылу !

- ▶ Өніміңізді әрдайым аккумуляторын шығарып алып тасымалдаңыз!
- ▶ Аккумулятор(лар)ды шығарыңыз.
- ▶ Аккумуляторларды ешқашан үймеде тасымалдамаңыз. Тасымалдау барысында аккумуляторларды шамадан артық соққы мен дірілден қорғау және олардың басқа батарея полюстерімен жанасуына және қысқа тұйықталудың туындауына жол бермеу үшін кез келген ток өткізгіш материалдардан немесе басқа аккумуляторлардан оқшаулау керек. **Аккумуляторларға арналған жергілікті тасымалдау ережелерін сақтаңыз.**
- ▶ Аккумуляторларды поштамен жіберуге болмайды. Зақымдалмаған аккумуляторларды жіберу қажет болғанда, жеткізуші кәсіпорындарға хабарласыңыз.
- ▶ Өнім мен аккумуляторларды әр пайдаланбас бұрын және ұзақ уақыт бойы тасымалдағаннан кейін зақымдардың бар-жоғын тексеріп шығыңыз.

Сақтау



ЕСКЕРТУ

Бүлінген немесе заряды таусылған аккумуляторлардан күтілмеген зақымдалу !

- ▶ Өніміңізді әрдайым аккумуляторын шығарып алып сақтаңыз!
- ▶ Өнім мен аккумуляторларды салқын және құрғақ жерде сақтаңыз. Техникалық деректерде көрсетілген температураның шектік мәндерін ескеріңіз.
- ▶ Аккумуляторларды зарядтағыш құрылғыда сақтамаңыз. Аккумуляторды зарядтағаннан кейін әрдайым зарядтағыш құрылғыдан шығарыңыз.
- ▶ Аккумуляторларды еш жағдайда күн мен жылу көздерінің астында немесе шыны өйнек артында сақтамаңыз.
- ▶ Өнім мен аккумуляторларды балалар мен рұқсаты жоқ адамдардың қолы жетпейтін жерде сақтаңыз.
- ▶ Өнім мен аккумуляторларды әр пайдаланбас бұрын және ұзақ уақыт бойы сақтағаннан кейін зақымдардың бар-жоғын тексеріп шығыңыз.

9 Ақаулардағы көмек

Кез келген ақау орын алған жағдайда, аккумулятордың күй индикаторына назар аударыңыз. **Li-Ion аккумуляторларының индикаторлары** бөлімін қараңыз.



Бұл кестеде келтірілмеген немесе өзіңіз түзете алмайтын ақаулар орын алғанда, **Hilti** қызмет көрсету орталығына хабарласыңыз.



Ақаулық	Ықтимал себеп	Шешім
Негізгі сөндіргіш басылмайды немесе бұғатталған.	Қате жоқ (қауіпсіздік функциясы).	▶ Іске қосу құлпын басыңыз.
Айналымдар саны тым тез төмендейді.	Аккумулятор зарядын босатыңыз.	▶ Аккумуляторды зарядтаңыз.
	Беріліс күші тым жоғары.	▶ Беріліс күшін азайтыңыз және өнімді қайта қосыңыз.
Сору қуаты жоқ немесе төмендетілген.	Жоңқаны шығаруға арналған арна бітелген.	▶ Жоңқаны шығаруға арналған арнаны тазалаңыз. 209
Ара төсемі бұғатталғанда, өнім өздігінен іске қосылмайды.	Шамадан тыс жүктеме қорғанысы іске қосылды.	▶ Іске қосу құлпын және негізгі сөндіргішті қайтадан басыңыз.
Аккумулятор шерту дыбысымен бекітілмейді.	Аккумулятордағы құлып шоқысы кірленген.	▶ Тіреуіш шығыңқы жерін тазалаңыз және аккумуляторды қайтадан салыңыз.
Өнім әдеттегіден тыс дірілдейді.	Ара төсемі дұрыс орнатылмаған.	▶ Ара төсемін бөлшектеңіз және қайтадан монтаждаңыз.
Аккумулятордың жарық диодтары өшірулі	Аккумулятор бүлінген	▶ Hilti қызмет көрсету орталығына жолығыңыз.

10 Көдеге жарату

ЕСКЕРТУ

Қате жолмен көдеге жаратудан жарақат алу қаупі бар! Газдардың немесе сұйықтықтардың шығуынан денсаулыққа зиян келтіру қаупі бар.

- ▶ Зақымдалған аккумуляторларды жіберуге немесе жөнелтуге болмайды!
- ▶ Қысқа тұйықталуға жол бермеу үшін, қосылымдарды ток өткізбейтін материалмен жауып қойыңыз.
- ▶ Аккумуляторларды балалардың қолына жетпейтіндей етіп көдеге жаратыңыз.
- ▶ Аккумуляторды **Hilti Store** дүкенінде көдеге жаратыңыз немесе жергілікті көдеге жарату кәсіпорнына хабарласыңыз.

Hilti өнімдері қайта өңдеу үшін жарамды көптеген материалдардың санынан тұрады. Көдеге жарату алдында материалдарды мұқият сұрыптау керек. Көптеген елдерде **Hilti** компаниясы ескі аспаптарды көдеге жарату үшін қабылдайды. **Hilti** қызмет көрсету орталығынан немесе дилерден сұраңыз.



- ▶ Электр құралдарды, электрондық құрылғылар мен аккумуляторларды тұрмыстық қоқыспен бірге тастамаңыз!

11 Өндіруші кепілдігі

- ▶ Кепілдік шарттары туралы сұрақтарыңыз болса, жергілікті **Hilti** серіктесіне жолығыңыз.

12 Қосымша ақпарат

Басқару, техника, қоршаған орта және қайта өңдеу туралы қосымша ақпаратты мына сілтеме бойынша қараңыз: qr.hilti.com/manual?id=2276609&id=2276671


Бұл сілтеме құжаттаманың соңында QR коды ретінде қолжетімді.



Orijinal kullanım kılavuzu

1 Kullanım kılavuzu bilgileri

1.1 Bu kullanım kılavuzu hakkında

- **İkaz!** Ürünü kullanmadan önce, talimatlar, güvenlik ve uyarı bilgileri, çizimler ve teknik özellikler dahil olmak üzere ürünle birlikte verilen kullanım kılavuzunu okuduğunuzdan ve anladığınızdan emin olunuz. Özellikle tüm talimatları, güvenlik ve uyarı bilgilerini, çizimleri, teknik özellikleri ve bileşenleri ve fonksiyonları öğreniniz. Aksi takdirde elektrik çarpması, yangın ve/veya ciddi yaralanma tehlikesi meydana gelebilir. Tüm talimatlar, güvenlik ve uyarı bilgileri dahil olmak üzere kullanım kılavuzunu daha sonra kullanmak üzere saklayınız.
- **HILTI** ürünleri profesyonel kullanıcıların kullanımı için öngörülmüştür ve sadece yetkili personel tarafından kullanılabilir ve bakımı yapılabilir. Bu personel, meydana gelebilecek tehlikeler hakkında özel olarak eğitim görmüş olmalıdır. Aletin ve ilgili yardımcı gereçlerin eğitimsiz personel tarafından usulüne uygun olmayan şekilde kullanılması ve amaçları dışında çalıştırılması sonucu tehlikeli durumlar söz konusu olabilir.
- Ekteki kullanım kılavuzu, basım tarihindeki mevcut gelişmiş teknolojiye uygundur. En son sürümü her zaman Hilti ürün sayfasında bulabilirsiniz. Bunu yapmak için, bu kullanım kılavuzundaki  sembolü ile işaretlenmiş bağlantıyı veya QR kodunu kullanınız.
- Ürünü başkalarına sadece bu kullanım kılavuzuyla birlikte veriniz.

1.2 Resim açıklaması

1.2.1 Uyarı bilgileri

Uyarı bilgileri, ürün ile çalışırken ortaya çıkabilecek tehlikelere karşı uyarır. Aşağıdaki uyarı metinleri kullanılır:

TEHLİKE

TEHLİKE !

- ▶ Ağır vücut yaralanmalarına veya doğrudan ölüme sebep olabilecek tehlikeler için.

İKAZ

İKAZ !

- ▶ Ağır yaralanmalara veya ölüme neden olabilecek tehlikeler için.







DİKKAT

DİKKAT !

- ▶ Vücut yaralanmalarına veya maddi hasarlara yol açabilecek olası tehlikeli durumlar için.

1.2.2 Kullanım kılavuzundaki semboller

Bu kullanım kılavuzunda aşağıdaki semboller kullanılmıştır:

	Kullanım kılavuzuna dikkat edilmelidir
	Kullanım uyarıları ve diğer gerekli bilgiler
	Geri dönüşümlü malzemeler ile çalışma
	Elektrikli aletleri ve aküleri evdeki çöplere atmayınız
	Hilti Lityum İyon akü
	Hilti Şarj cihazı

1.2.3 Resimlerdeki semboller

Resimlerde aşağıdaki semboller kullanılmıştır:

- 2** Bu sayılar, kullanım kılavuzunun başlangıcındaki ilgili çizime atanmıştır.



3	Numaralandırma, resimdeki çalışma adımlarının sırasını göstermektedir ve metindeki çalışma adımlarından farklı olabilir.
11	Pozisyon numaraları Genel bakış resminde kullanılır ve Ürüne genel bakış bölümündeki açıklama numaralarına referans niteliğindedir.
	Bu işaret, ürün ile çalışırken dikkatinizi çekmek için koyulmuştur.

1.3 Ürüne bağlı semboller

1.3.1 Genel semboller

Ürün ile bağlantılı olarak kullanılan semboller.

n_0	Ölçüm rölanti devir sayısı
---	Doğru akım
→	Dönme yönü oku
RPM	Dakika başına devir
∅	Çap
	Testere bıçağı
	Ürün, iOS ve Android platformları ile uyumlu kablosuz veri aktarımını destekler.
	Ürün üzerinde mevcutsa, ürün, bu standartlar uyarınca ABD ve Kanada pazarı için bu belgelendirme kuruluşu tarafından onaylanmıştır.
Li-Ion	Lityum İyon akü
	Aküyü asla darbe aleti olarak kullanmayınız.
	Aküyü düşürmeyiniz. Darbe almış veya hasar görmüş bir aküyü kullanmayınız.

1.3.2 Emredici işaretler

Üründe aşağıdaki emredici işaretler kullanılmıştır:

	Koruyucu gözlük kullanınız
--	----------------------------

2 Güvenlik

2.1 Elektrikli el aletleri için genel güvenlik uyarıları

⚠ İKAZ Bu elektrikli el aletine yönelik tüm güvenlik uyarılarını, talimatları, resimli açıklamaları ve teknik verileri dikkatlice okuyunuz. Aşağıdaki talimatlara uyulmaması durumunda elektrik çarpması, yangın ve/veya ağır yaralanmalar söz konusu olabilir.

Tüm güvenlik uyarılarını ve kullanım talimatlarını muhafaza ediniz.

Güvenlik uyarılarında kullanılan "Elektrikli el aleti terimi, şebeke işletimli elektrikli el aletleri (şebeke kablosu ile) veya akü işletimli elektrikli el aletleri (şebeke kablosu olmadan) ile ilgilidir.

İş yeri güvenliği

- ▶ **Çalışma alanınızı temiz ve aydınlık tutunuz.** Düzensiz veya aydınlatma olmayan çalışma alanları kazalara yol açabilir.
- ▶ **Yanıcı sıvıların, gazların veya tozların bulunduğu patlama tehlikesi olan yerlerde elektrikli el aleti ile çalışmayınız.** Elektrikli el aletleri, toz veya buharı yakabilecek kıvılcım oluşturur.
- ▶ **Elektrikli el aletini kullanırken çocukları ve diğer kişileri uzak tutunuz.** Dikkatiniz dağılırsa aletin kontrolünü kaybedebilirsiniz.



Elektrik güvenliği

- ▶ **Elektrikli el aletinin bağlantı fişi prize uygun olmalıdır. Fiş hiçbir şekilde değiştirilmemelidir. Adaptör fişini topraklama korumalı elektrikli el aletleri ile birlikte kullanmayınız.** Değiştirilmemiş fişler ve uygun prizler elektrik çarpması riskini azaltır.
- ▶ **Borular, radyatörler, fırınlar ve buzdolapları gibi toprağa temas eden üst yüzeylere vücudunuzla temas etmekten kaçınınız.** Vücudunuzun toprakla teması var ise yüksek bir elektrik çarpması riski söz konusudur.
- ▶ **Elektrikli el aletini yağmurdan veya ıslaklıktan uzak tutunuz.** Elektrikli el aletine su girmesi, elektrik çarpması riskini artırır.
- ▶ **Elektrikli el aletini taşımak, asmak veya fişi prizden çekmek için bağlantı kablosunu kullanın amacı dışında kullanmayınız. Bağlantı kablosunu sıcaktan, yağdan, keskin kenarlardan ve hareketli parçalardan uzak tutunuz.** Hasarlı veya dolanmış bağlantı kabloları elektrik çarpması riskini artırır.
- ▶ **Elektrikli bir el aleti ile açık alanda çalışacaksanız, sadece dışarıda kullanımına izin verilen uzatma kabloları kullanınız.** Dış mekanlar için uygun olan uzatma kablolarının kullanılması elektrik çarpması riskini azaltır.
- ▶ **Elektrikli el aleti işletiminin nemli ortamda yapılması kaçınılmaz ise bir kaçak akım koruma şalteri kullanınız.** Bir kaçak akım koruma şalterinin kullanımı elektrik çarpması riskini azaltır.

Kişilerin güvenliği

- ▶ **Dikkatli olunuz, ne yaptığınıza dikkat ediniz ve elektrikli el aleti ile mantıklı bir şekilde çalışınız. Yorgunsanız veya uyuşturucu, alkol veya ilaç etkisi altında olduğunuzda elektrikli el aleti kullanmayınız.** Elektrikli el aletini kullanırken bir anlık dikkatsizlik ciddi yaralanmalara neden olabilir.
- ▶ **Kişisel koruyucu donanım ve her zaman bir koruyucu gözlük takınız.** Elektrikli el aletinin türüne ve kullanımına göre toz maskesi, kaymayan güvenlik ayakkabısı, koruyucu kask veya kulaklık gibi kişisel koruyucu donanımların kullanılmasını yaralanma riskini azaltır.
- ▶ **İstem dışı çalışmayı önleyiniz. Güç kaynağına ve/veya aküyü bağlamadan, girişini yapmadan veya taşımadan önce elektrikli el aletinin kapalı olduğundan emin olunuz.** Elektrikli el aletini taşıırken parmağınız şalterde ise veya alet açık konumda güç kaynağına takılırsa bu durum kazalara yol açabilir.
- ▶ **Elektrikli el aletini devreye almadan önce ayar aletlerini veya vidalama anahtarlarını çıkartınız.** Dönen bir alet parçasında bulunan bir alet veya anahtar yaralanmalara yol açabilir.
- ▶ **Aşırı bir vücut hareketinden sakınınız. Güvenli bir duruş sağlayınız ve her zaman dengeli tutunuz.** Böylece beklenmedik durumlarda elektrikli el aletini daha iyi kontrol edebilirsiniz.
- ▶ **Uygun kıyafetler giyiniz. Bol kıyafetler giymeyiniz veya takı takmayınız. Saçları, kıyafetleri ve eldivenleri hareket eden parçalardan uzak tutunuz.** Bol kıyafetler, takı veya uzun saçlar hareket eden parçalara takılabilir.
- ▶ **Toz emme ve tutma tertibatları monte edilebiliyorsa bunların bağlı olduğundan ve doğru kullanıldığından emin olunuz.** Bu toz emme tertibatının kullanımı tozdan kaynaklanabilecek tehlikeleri azaltabilir.
- ▶ **Kendi güvenliğinizi riske atmayınız ve elektrikli el aletleri kullanımında son derece tecrübeli olsanız bile ilgili güvenlik kurallarını ihlal etmeyiniz.** Dikkatsiz kullanım saniyeler içerisinde ciddi yaralanmalara neden olabilir.

Elektrikli el aletinin kullanımı ve çalıştırılması

- ▶ **Aleti çok fazla zorlamayın. Çalışmanız için uygun olan elektrikli el aletini kullanın.** Uygun elektrikli el aleti ile bildirilen hizmet alanında daha iyi ve güvenli çalışsınız.
- ▶ **Şalteri bozuk olan elektrikli el aletini kullanmayınız.** Açılıp kapatılmayan bir elektrikli el aleti tehlikelidir ve tamir edilmesi gerekir.
- ▶ **Alet ayarlarını yapmadan, aksesuar parçalarını değiştirmeden veya aleti bir yere koymadan önce fişi prizden ve/veya (çıkarılabilir) aküyü aletten çıkarınız.** Bu önlem, elektrikli el aletinin istem dışı çalışmasını engeller.
- ▶ **Kullanılmayan elektrikli el aletlerini çocukların erişemeyeceği yerde muhafaza edin. Aleti iyi tanımayan veya bu talimatları okumamış kişilere aleti kullanırmayınız.** Elektrikli el aletleri bilgisiz kişiler tarafından kullanılırsa tehlikelidir.
- ▶ **Elektrikli el aletlerinin ve aksesuarlarının bakımını titizlikle yapınız. Hareketli parçaların kusursuz çalıştığı ve sıkışmadığı, parçaların kırılıp kırılmadığı veya hasar görüp görmediği, elektrikli el aleti fonksiyonlarının kısıtlanma durumlarını kontrol ediniz. Hasarlı parçaları aleti kullanmadan önce tamir ettiriniz.** Birçok kazanın nedeni bakımı kötü yapılan elektrikli el aletleridir.
- ▶ **Kesme aletlerini keskin ve temiz tutun.** Özenle bakımı yapılmış keskin bıçak kenarı olan kesme aletleri daha az sıkışır ve kullanımı daha rahattır.
- ▶ **Elektrikli el aletini, aksesuarları, ek aletleri vb. bu talimatlara göre kullanın. Çalışma şartlarını ve yapılacak işi de ayrıca göz önünde bulundurun.** Elektrikli el aletlerinin öngörülen kullanımı dışında kullanılması tehlikeli durumlara yol açabilir.



- ▶ **Tutamağı ve tutamak yüzeylerini daima temiz ve yağ ve gresten arındırılmış durumda tutunuz.** Kaygan tutamaklar ve tutamak yüzeyleri güvenli bir kullanımı ve öngörülemez durumlarda elektrikli el aletinin kontrolünü engeller.

Akülü el aletinin kullanımı ve çalıştırılması

- ▶ **Akülerini sadece üretici tarafından tavsiye edilen şarj cihazları ile şarj ediniz.** Belirli bir akü için uygun olan bir şarj cihazı, başka akülerle kullanılırsa yanma tehlikesi vardır.
- ▶ **Elektrikli el aletlerinde sadece bunun için öngörülen aküler kullanılmalıdır.** Başka akülerin kullanılması yaralanmalara ve yanma tehlikelerine yol açabilir.
- ▶ **Kullanılmayan aküleri, kontakların köprülenmesine sebep olabilecek ataçlar, madeni paralar, anahtarlar, çiviler, vidalar veya diğer küçük metal cisimlerden uzak tutunuz.** Akü kontakları arasındaki kısa devre yanmalara veya alev oluşumuna sebep olabilir.
- ▶ **Yanlış kullanımda aküden sıvı çıkabilir. Bunlar ile teması önleyiniz. Yanlışlıkla temasta su ile durulayınız. Sıvı gözlere temas ederse ayrıca doktor yardımı isteyiniz.** Dışarı akan akü sıvısı cilt tahrişine ve yanmalara yol açabilir.
- ▶ **Hasarlı veya değiştirilmiş aküleri kullanmayınız.** Hasarlı veya değiştirilmiş aküler öngörülemez şekilde yangın, patlama veya yaralanma tehlikesi içeren tutumlara neden olabilir.
- ▶ **Akülerini açık ateş yakınına koymayınız veya yüksek sıcaklıklara maruz bırakmayınız.** Açık ateş veya 130°C'nin (265°F) üzerinde sıcaklıklara patlama tehlikesine neden olabilir.
- ▶ **Tüm şarj talimatlarına uyunuz ve aküyü veya akülü aleti kullanım kılavuzunda öngörülen sıcaklık aralığının dışında şarj etmeyiniz.** Hatalı şarj veya öngörülen sıcaklık aralığının dışındaki şarj işlemleri akünün zarar görmesine ve yangın tehlikesine neden olabilir.

Servis

- ▶ **Elektrikli el aletinizi sadece kalifiye uzman personele ve sadece orijinal yedek parçalar ile tamir ettiriniz.** Böylece aletin güvenliğinin korunduğundan emin olunur.
- ▶ **Hasarlı aküleri bakım yapmayınız.** Aküleri yönelik tüm bakım çalışmaları sadece üretici veya yetkili müşteri hizmetleri tarafından yapılmalıdır.

2.2 Tüm kesme işlemleri için güvenlik uyarıları

Kesme yöntemi

- ▶ **⚠ TEHLİKE: Ellerinizi kesme alanı ve testere bıçağı bölümüne getirmeyiniz. Diğer elinizle ilave tutamağı veya motor gövdesini tutunuz.** Testereyi her iki elinizle tutarsanız, testere bıçağı ellerinizi yaralayamaz.
- ▶ **İşlenen parçanın altına elinizi sokmayınız.** İş parçası altındaki koruma başlığı sizi testere bıçağından koruyamaz.
- ▶ **Kesme derinliğini işlenen parçanın kalınlığına göre ayarlayınız.** İş parçasının altında tam bir diş yüksekliğinden daha az bir mesafe görülüyor olmalıdır.
- ▶ **Kesilecek olan iş parçasını asla elinizde veya bacağınızın üstünde tutmayınız. İş parçasını sağlam bir yuvada emniyete alınız.** Vücut ile temas, testere bıçağının sıkışması veya kontrolün kaybedilmesi tehlikesinin önlenmesi için iş parçası çok emniyetli bir şekilde sabitlenmelidir.
- ▶ **Ek aletin bükülmüş elektrik hatlarına denk gelme riskinin olduğu çalışmalarda, elektrikli el aletini sadece izole edilmiş tutamak yüzeylerinden tutunuz.** Elektrik ileten bir hat ile temasta elektrikli aletin metal parçaları da gerilim altında kalır ve elektrik çarpmasına neden olur.
- ▶ **Uzunlamasına kesimde her zaman bir destek veya düz bir kenar kılavuzu kullanınız.** Bunlar kesimin daha düzgün olmasını sağlar ve testere bıçağının sıkışma ihtimalini azaltır.
- ▶ **Testere bıçaklarını daima doğru büyüklükte ve doğru bağlantı deliği (örneğin yıldız biçimli veya yuvarlak) ile kullanınız.** Testerenin montaj parçalarına uymayan testere bıçakları düz bir şekilde çalışmaz ve kontrolün kaybedilmesine neden olur.
- ▶ **Hasarlı veya yanlış testere bıçağı pulları veya civataları kullanılmamalıdır.** Testere bıçağı pulları ve civataları testerenizin optimum güç ve çalışma güvenliği sağlaması için özel olarak tasarlanmıştır.

Geri tepme - Nedenleri ve ilgili güvenlik uyarıları

- Geri tepme; takılan, sıkışan ya da yanlış hizalanmış bir testere bıçağının testereyi kontrolsüz şekilde kaldırmasına ve kullanıcı yönünde iş parçasından dışarı doğru hareket etmesine neden olan ani bir reaksiyondur;
- Testere bıçağı kapanan testere aralığında takılırsa ya da sıkışırsa, bloke olur ve motor gücü, testereyi kullanıcı yönünde geriye iter;
- Testere bıçağı kesme sırasında dönerse ya da yanlış hizalanırsa, arkadaki testere bıçağı kenarının dışları iş parçasının yüzeyine takılır; bunun sonucunda testere bıçağı testere aralığından dışarı hareket eder ve testere, kullanıcı yönünde geriye sıçar.



Testerenin yanlış veya hatalı kullanılması sonucunda geri tepme meydana gelir. Aşağıda tanımlanan özel önlemler alınarak geri tepme engellenebilir.

- ▶ **Testereyi iki elinizle sıkıca tutunuz ve vücudunuzu ve kollarınızı geri tepmelere karşı koyabileceğiniz şekle getiriniz. Testere bıçağının yanında durunuz, testere bıçağını asla vücudunuz ile temas edecek yöne getirmeyiniz.** Bir geri tepme durumunda daire testere geriye sıçrayabilir, fakat aleti kullanan kişi gerekli önlemlerini aldıysa, geri tepmelerde kontrolü sağlayabilir.
- ▶ **Testere bıçağı sıkışırsa veya çalışmaya ara vermeniz gerekirse, testereyi kapatınız ve testere hareketsiz hale gelene kadar aleti sabit tutunuz. Testere bıçağı hareket ettiği veya geri teptiği sürece testereyi hiçbir zaman iş parçasından çıkarmayı denemeyiniz veya geriye doğru çekmeyiniz.** Testere bıçağının sıkışma nedenini belirleyiniz ve gideriniz.
- ▶ **İşlenen parça içindeki testereyi tekrar çalıştırmak istiyorsanız, testere bıçağını testere boşluğunda merkezleyiniz ve testere bıçağı dişlerinin işlenen parçaya sıkışmamış olmasına dikkat ediniz.** Testere bıçağı tekrar çalıştırıldığında sıkışıyorsa iş parçasından çıkabilir veya geri tepebilir.
- ▶ **Sıkışan testere bıçağının geri tepmesini azaltmak için büyük levhaları çok iyi bir şekilde sabitleyiniz.** Büyük levhalar kendi ağırlıklarından dolayı bükülebilirler. Levhalar, her iki tarafta hem testere bıçağı boşluğunun yakınından hem de kenardan desteklenmelidir.
- ▶ **Kör veya hasarlı testere bıçaklarını kullanmayınız.** Kör veya yanlış ayarlanmış dişli testere bıçakları çok dar bir kesme boşluğundan dolayı yüksek aşınmaya, testere bıçağının sıkışmasına ve geri tepmeye neden olur.
- ▶ **Testereyle kesme öncesinde kesim derinliğini ve kesim açısı ayarlarını kesin olarak belirleyiniz.** Kesme işlemi sırasında ayarları değiştirirseniz testere bıçağı sıkışabilir ve geri tepmeler ortaya çıkabilir.
- ▶ **Kesme işlemi sırasında mevcut duvarlara veya diğer görülmeyen bölgelere karşı özellikle dikkat ediniz.** Daldırılan testere bıçağı kesme sırasında gizli nesnelere bloke edebilir ve bir geri tepmeye neden olabilir.

Koruma başlığı fonksiyonu

- ▶ **Her kullanımdan önce koruma başlığının sorunsuz kapandığı kontrol edilmelidir. Alt koruma başlığı serbest hareket edemiyorsa ve hermen kapanıyorsa testereyi kullanmayınız. Koruma başlığını sıkıştırmayınız veya bağlamayınız; bu durumda testere bıçağı korumasız olur.** Eğer testere istenmeden yere düşürüldüyse koruma başlığı bükülebilir. Koruma başlığının rahat hareket ettiğinden ve tüm kesme açılarında ve derinliklerinde ne testere bıçağına ne de diğer parçalara temas etmediğinden emin olunuz.
- ▶ **Koruma başlığı yayının durumunu ve çalışmasını kontrol ediniz. Eğer koruma başlığı ve yay sorunsuz bir şekilde çalışmıyorsa, testereyi kullanmadan önce bekleyiniz.** Hasarlı parçalar, yapışkan artıklar ve talaş parçacıklarının yoğunluğu alt koruma başlığının gecikmeli bir şekilde çalışmasına neden olur.
- ▶ **Dik açıda uygulanmayan "Daldırılmalı kesimde" testerenin ana plakasını yanall kaymaya karşı emniyete alınız.** Yana kayma, testere bıçağının sıkışmasına ve bununla birlikte geri tepmeye neden olabilir.
- ▶ **Koruma başlığı testere bıçağını örtmeden testereyi çalışma tezgahına ya da yere koymayınız.** Korumasız, sonradan çalışmaya devam eden bir testere bıçağı, testereyi kesim yönüne doğru hareket ettirir ve önünde bulunan nesnelere kesilmesine neden olur. Testerenin sonradan çalışmaya devam etme süresine dikkat ediniz.

2.3 Ek güvenlik uyarıları

Kişilerin güvenliği

- ▶ Elektrikli el aletinde veya aksesuarda kesinlikle manipülasyon veya değişiklik yapmayınız.
- ▶ Elektrikli el aletini yalnızca ilgili koruma tertibatları ile birlikte kullanınız.
- ▶ Elektrikli el aletini toz emme sistemi olmadan kullanırsanız, toz oluşumuna neden olan çalışmalarda daima bir hafif solunum koruma maskesi kullanınız.
- ▶ Elektrikli el aletini her zaman iki elinizle öngörülen tutamaklardan sıkıca tutunuz.
- ▶ Kulaklık takınız. Aşırı sestten dolayı duyma kaybı meydana gelebilir.
- ▶ Parmaklarınızdaki kan dolaşımının iyi olması için çalışma molaları veriniz ve gevşetme ve parmak egzersizleri yapınız.
- ▶ Bu elektrikli el aleti, gözetim altında olmayan yetersiz güçteki kişiler için uygun değildir.
- ▶ Elektrikli el aletini sadece çalışma yerinde ve sadece çalışma konumuna getirdiğinizde çalıştırınız.
- ▶ Elektrikli el aleti ile ilgili sorunlar ortaya çıkarsa, ek aletleri veya aksesuarları değiştirirseniz ve elektrikli el aletinin depolanması veya taşınması sırasında aküyü çıkarınız.
- ▶ Elektrikli el aleti ile baş hizasının üzerinde çalışma yapmayınız.
- ▶ Elektrikli el aletini, testere bıçağına yandan bastırarak frenlemeyiniz.



- ▶ Aküyü takmadan önce, testerenin kapalı ve çalıştırma kilidinin devrede olduğundan emin olunuz. Bu sayede, elektrikli el aletinin istem dışı çalışması durumunda olası yaralanmaları önleyebilirsiniz.
- ▶ Elektrikli el aleti çalışırken sıkma flanşına ve sıkma civatasına dokunmayınız.
- ▶ Testere bıçağını yere bırakmadan önce, elektrikli el aleti tamamen durana kadar bekleyiniz.
- ▶ Ek aleti değiştirmeden önce, elektrikli el aleti soğuyana kadar bekleyiniz.
- ▶ Testere bıçağı dönerken asla mil kilidini çalıştırmayınız.
- ▶ Elektrikli el aletini insanlara doğru tutmayınız.
- ▶ Aksesuar parçalarının veya akülerin değiştirilmesi sırasında ve elektrikli el aletinin taşınması veya depolanması sırasında çalıştırma kilidi her zaman devrede olmalıdır.
- ▶ Daima iş parçasının malzemesine ve yapısına uygun bir testere bıçağı kullanınız.
- ▶ Bu elektrikli el aletine asla herhangi bir taşlama diski monte etmeyiniz.
- ▶ Elektrikli el aletini sadece açık durumda ilgili iş parçasına doğru tutunuz.
- ▶ İlerleme kuvvetini, testere bıçağına ve işlenecek malzemeye göre ayarlayınız. Bu sayede, testere bıçağının sıkışmasını ve geri tepmeye neden olmasını önleyebilirsiniz.
- ▶ Testere dışı uçlarının aşırı ısınmasını engelleyiniz.
- ▶ Kullanılan ek aletin izin verilen devir sayısı, elektrikli el aletinin üzerindeki devir sayısı kadar yüksek olmalıdır. Uygun olandan daha hızlı dönen aksesuar kırılabilir ve etrafa fırlayabilir.
- ▶ Çok tozlu ortamlarda çalışmayınız.
- ▶ Taşlama, zımparalama, kesme ve delme işlemleri sonucunda oluşan tozlar tehlikeli kimyasallar içerebilir. Bazı örnekler şunlardır: Kurşun temelli kurşun veya boya; Tuğla, beton ve diğer duvarcılık ürünleri, doğal taş ve diğer silikat içeren ürünler; Meşe, kayın gibi belirli ahşaplar ve kimyasal işlem görmüş ahşap; Asbest veya asbest içerikli malzemeler. Çalışılan malzemenin tehlike sınıfına göre kullanıcının ve çevredeki kişilerin maruziyetini belirleyiniz. Maruziyeti güvenli bir seviyede tutmak için bir toz toplama sisteminin kullanımı veya uygun bir solunum koruma maskesinin kullanımı gibi gerekli önlemleri alınız. Maruziyeti azaltmaya yönelik genel önlemler aşağıdakilerdir:
 - ▶ İyi havalandırılan bir alanda çalışma,
 - ▶ Toz ile uzun süreli temastan kaçınma,
 - ▶ Yüz ve vücuttaki tozları giderme,
 - ▶ Koruyucu kıyafet kullanma ve maruz kalan alanları su ve sabunla yıkama.
- ▶ Her zaman kendiniz ve çalışma alanındaki diğer tüm kişiler için uygulamanın gerekliliklerini karşılayan bir solunum cihazı kullanınız.
- ▶ Elektrikli el aletini kullanırken uygun koruyucu gözlük, koruyucu kask, kulaklık, koruyucu eldiven ve koruyucu ayakkabı kullanınız.
- ▶ Çalışmaya başlamadan önce çalışma sırasında ortaya çıkan tozun tehlike sınıfını öğreniniz. Ülkenizdeki tozdan koruma yönergelerine uygun bir resmi koruma sınıfına sahip toz emme tertibatı kullanınız.
- ▶ Ulusal iş güvenliği gereksinimlerini dikkate alınız.
- ▶ İş parçasını emniyete almak ve stabil bir pozisyonda tutmak için sabitleme tertibatları veya benzer, pratik bir yöntem kullanılmalıdır. İş parçasını elle veya gövdeyle tutmak stabilite sağlamaz ve kontrol kaybına neden olabilir. Başkalarının iş parçasını tutmasına izin vermeyiniz.
- ▶ Bilinmeyen zeminleri kesmeyiniz ve kesme yolunun üstünü ve altını engellerden uzak tutunuz. Testere bıçağı bir nesneye rastladığında, elektrikli el aletinde bir geri tepmeye neden olur.
- ▶ Aletlerin ve/veya aksesuarların düşmesi nedeniyle yaralanma tehlikesi. Çalışmaya başlamadan önce monte edilmiş olan aksesuarın emniyetli bir şekilde sabitlenip sabitlenmediğini kontrol ediniz.
- ▶ Bir toz emici ile birlikte testere kullanırken toz kapağına veya emme hortumuna dokunmaktan kaçınınız. Çok fazla toz üreten malzemeler elektrostatik şok riskini artırabilir.
- ▶ Kesme hattında herhangi bir engel bulunmadığından emin olunuz, örn. çivi, civata veya diğer metal parçalar.
- ▶ Sadece Hilti tarafından önerilen ve EN 847-1 standardına uygun olan testere bıçaklarını kullanınız.
- ▶ Plastik malzemeleri testereleme sırasında iş parçasının çok ısınmamasına ve erimemesine dikkat ediniz.

Elektrik güvenliği

- ▶ Çalışmaya başlamadan önce çalışma alanını üzeri örtülü elektrik kabloları, gaz ve su boruları bakımından kontrol ediniz, örneğin bir dedektör ile. Yanlışlıkla bir elektrik hattına zarar vermeniz durumunda, elektrikli el aletinin dışında yer alan metal parçaları gerilim yüklü hale gelebilir. Bu, elektrik çarpması tehlikesini artırır.



2.4 Akülü aletlerin özenli çalıştırılması ve kullanımı

- ▶ **Lityum İyon akülerin kullanılması sırasında aşağıda belirtilen güvenlik uyarılarını dikkate alınız.** Bunlara dikkate alınmaması ciltte tahrişlere, ağır korozif yaralanmalara, kimyasal yanıklara, yangın ve / veya patlamalara neden olabilir.
- ▶ Aküyü sadece teknik olarak kusursuz durumda kullanınız.
- ▶ Hasarları önlemek için ve sağlığa ciddi zarar verici sıvıları engellemek için aküleri itinalı davranınız!
- ▶ Aküleri asla müdahale edilmemeli ve üzerlerinde onarım yapılmamalıdır!
- ▶ Aküler parçalarını ayrılmamalı, ezilmemeli, 80° C (176° F) üzerine ısıtılmamalı veya yakılmamalıdır.
- ▶ Darbeye maruz kalmış veya başka bir hasar görmüş aküleri kullanmayınız. Akülerinizi hasar belirtilerine karşı düzenli olarak kontrol ediniz.
- ▶ Geri dönüştürülmüş veya onarılmış aküleri asla kullanmayınız.
- ▶ Aküyü veya aküyle çalışan bir elektrikli el aletini asla bir şeyi çakmak veya bir şeye vurmak için kullanmayınız.
- ▶ Aküleri asla doğrudan güneş ışığına, aşırı sıcaklık, kıvılcım veya açık ateşe maruz bırakmayınız. Bu durum patlamalara neden olabilir.
- ▶ Akünün kutbuna parmaklarınız, aletler, takılar veya diğer elektrikselsel olarak iletken nesnelere dokunmayınız. Bu durum aküye hasar verebilir, maddi hasarlara ve yaralanmalara neden olabilir.
- ▶ Aküleri yağmurdan, ıslaklıktan ve sıvılardan uzak tutunuz. Akülerin içine nemin girmesi, kısa devrelere, elektrik çarpmalarına, yanıklara, yangına veya patlamalara neden olabilir.
- ▶ Sadece akü tipi için öngörülmüş olan şarj cihazlarını ve elektrikli el aletlerini kullanınız. Bunun için ilgili kullanım kılavuzlarındaki verileri dikkate alınız.
- ▶ Aküyü patlama tehlikesi olan ortamlarda kullanmayınız veya depolamayınız.
- ▶ Akü tutulamayacak kadar sıcaksa arızalı olabilir. Pili, yanıcı malzemelere yeterli mesafede, görünür ve yanıcı olmayan bir yere yerleştiriniz. Aküyü soğumaya bırakınız. Akü bir saat sonra hala dokunulamayacak kadar sıcaksa, arızalı demektir. **Hilti** servisiyle irtibat kurunuz veya "**Hilti** Lityum İyon aküler için güvenlik ve kullanım uyarıları" dokümanını okuyunuz.



Lityum İyon aküleri taşıma, depolama ve kullanma için geçerli özel yönetmelikleri dikkate alınız.

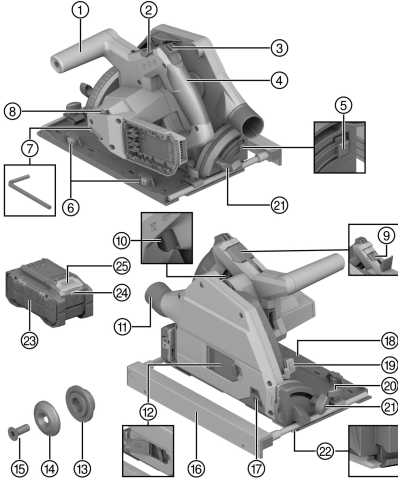
 226

Bu kullanım kılavuzunun sonundaki QR kodu tarayarak ulaşabileceğiniz, **Hilti** Lityum İyon aküler için güvenlik ve kullanım uyarılarını okuyunuz.



3 Tanımlama

3.1 Ürüne genel bakış



- ① İlave tutamak
- ② Testere bıçağı değiştirme kilidi kolu
- ③ Devreye alma kilidi
- ④ Ana tutamak
- ⑤ Kilit açma topuzu kesme açısı -1° ve 47°
- ⑥ Boşluk telafisi ayar çarkı (kılavuz ray ile ana plakadaki kılavuz kanal arasındaki boşluk)
- ⑦ Allen anahtar
- ⑧ Testere bıçağı devir sayısı ayar çarkı
- ⑨ İş mili kilidi
- ⑩ Açma/kapatma şalteri
- ⑪ Talaş atıcı / bağlantı nozulu
- ⑫ Testere bıçağı değişimi için montaj kapağı
- ⑬ Bağlantı flanşı
- ⑭ Sıkma flanşı
- ⑮ Sıkma cıvatası
- ⑯ Paralel dayanak
- ⑰ Sürgülü toz koruma penceresi
- ⑱ Ana plaka
- ⑲ Kesim derinliği ayarı
- ⑳ Paralellik mesnedi sıkıştırma cıvatası
- ㉑ Kesme açısı ayarı sıkıştırma cıvatası
- ㉒ Uyarlanabilir kesme göstergesi
- ㉓ Akü
- ㉔ Akü durum göstergesi
- ㉕ Akü kilit açma tuşu

3.2 Usulüne uygun kullanım

Tanımlanan ürün akülü bir daldırma testeresidir. Sadece aşağıdaki malzemelerde testere ve daldırma kesim için tasarlanmıştır:

- Ahşap ve ahşap benzeri malzemeler
- Plastikler
- Alçıpan
- Fiber çimento plakalar
- Demir dışı metaller

Ürün, marangozluk ve iç mekan çalışmaları için tasarlanmıştır.

Daire testere, sürekli emici hortumları için tasarlanmış, opsiyonel toz emici bağlantı parçalarına sahiptir. Toz giderici hortumunu testereye bağlamak için uygun bir adaptör gerekebilir.

Yalnızca ürün için izin verilen ve teknik verilerdeki özelliklere (örn. çap, devir sayısı, kalınlık, malzeme vb.) uygun testere bıçaklarını kullanınız. Yüksek alaşımli yüksek hız çeliğinden (HSS) yapılmış taşlama ve kesme disklerine ve testere bıçaklarına izin verilmez.

Sadece ana plaka için yeterince geniş bir destek yüzeyi sunan düz iş parçalarını kesiniz.

- Bu ürün için sadece B 22 tip serisi **Hilti** Lityum İyon aküleri kullanınız. **Hilti** bu ürün için bu kullanım kılavuzunun sonunda bulunan tabloda belirtilmiş olan akülerin kullanılmasını tavsiye eder.
- Bu aküler için sadece **Hilti** şarj cihazlarının bu kullanım kılavuzunun sonunda belirtilmiş olan serilerini kullanınız.

3.3 Teslimat kapsamı

Akülü daire testere, testere bıçağı, kullanım kılavuzu





Ürün için uygunluğu bulunan diğer sistem ürünlerini **Hilti Store**'da veya şu adreste bulabilirsiniz:
www.hilti.group

3.4 Lityum İyon akü göstergeleri

Hilti Nuron Lityum İyon aküler şarj durumunu, hata mesajlarını ve akünün durumunu gösterebilir.

3.4.1 Şarj durumu ve hata mesajları göstergeleri



İKAZ

Düşen akü nedeniyle yaralanma tehlikesi!

- ▶ Akü takılıken, kilit açma tuşuna bastıktan sonra, kullandığınız üründe akünün yerine oturduğundan emin olunuz.

Aşağıdaki göstergelerden birini görüntülemek için akünün kilit açma tuşuna kısa süreli basınız.

Bağlı olan ürün açık olduğu sürece, şarj durumu ve olası arızalar da sürekli görüntülenir.

Durum	Anlamı
Dört (4) LED sürekli yeşil yanıyor	Şarj durumu: % 100 ila % 71 arası
Üç (3) LED sürekli yeşil yanıyor	Şarj durumu: % 70 ila % 51 arası
İki (2) LED sürekli yeşil yanıyor	Şarj durumu: % 50 ila % 26 arası
Bir (1) LED sürekli yeşil yanıyor	Şarj durumu: % 25 ila % 10 arası
Bir (1) LED yavaşça yeşil renkte yanıp sönüyor	Şarj durumu: < % 10
Bir (1) LED hızlıca yeşil yanıp sönüyor	Lityum İyon akü tamamen deşarj olmuş. Aküyü şarj ediniz. Akünün şarj işleminden sonra LED hala hızlı yanıp sönüyorsa, lütfen Hilti servisiyle irtibat kurunuz.
Bir (1) LED hızlıca sarı yanıp sönüyor	Lityum İyon akü veya buna bağlı ürün aşırı yüklendi, çok sıcak, çok soğuk veya başka bir hata mevcut. Ürünü ve aküyü önerilen çalışma sıcaklığına getiriniz ve kullanırken ürünü aşırı yüke maruz bırakmayınız. Mesaj devam ediyorsa Hilti servisiyle irtibat kurunuz.
Bir (1) LED sarı yanıyor	Lityum İyon akü ve bağlantılı ürün uyumlu değildir. Lütfen Hilti servisine başvurunuz.
Bir (1) LED hızlıca kırmızı yanıp sönüyor	Lityum İyon akü bloke olmuş ve kullanılamaz. Lütfen Hilti servisine başvurunuz.

3.4.2 Akü durumunun göstergeleri

Akü durumunu sorgulamak için, kilit açma tuşuna üç saniyeden fazla basılı tutunuz. Sistem; düşme, delinme, harici ısı hasarları vb. gibi usulüne uygun olmayan kullanım nedeniyle pilde potansiyel hatalı fonksiyon algılamıyor.

Durum	Anlamı
Tüm LED'ler çalışma ışığı olarak yanıyor ve ardından bir (1) LED sürekli yeşil yanıyor.	Akü kullanımına devam edilebilir.
Tüm LED'ler çalışma ışığı olarak yanıyor ve ardından bir (1) LED hızlıca sarı yanıp sönüyor.	Akünün durumuna ilişkin sorgu tamamlanamadı. İşlemi tekrarlayınız veya Hilti servisiyle irtibat kurunuz.
Tüm LED'ler çalışma ışığı olarak yanıyor ve ardından bir (1) LED sürekli kırmızı yanıyor.	Bağlı bir ürünün kullanımına devam edilebiliyorsa, kalan akü kapasitesi %50'nin altındadır. Bağlı bir ürünün kullanımına devam edilemiyorsa, akünün kullanım ömrü dolmuştur ve akü değiştirilmelidir. Lütfen Hilti servisine başvurunuz.



4 Teknik veriler

4.1 Ürün özellikleri

	SC 6WP-22
Ürün nesli	01
Ağırlık	3,3 kg (EPTA-Procedure 01'e göre akü olmadan)
Ağırlık (paralellik mesnedi)	0,45 kg
Boyutlar (U × G × Y)	360 mm × 200 mm × 237 mm
Çelik bıçak kalınlığı	1 mm ... 1,5 mm
Maksimum kesme derinliği	57 mm
Ölçüm rölanti devir sayısı	6.000 dev/dak
Nominal gerilim	21,6 V

4.2 Testere bıçağı tipleri ve uygulamaları

Testere bıçağı tipi	Uygulama notu
Üniversal testere bıçağı İnce kesimli testere bıçağı	Ahşap ve ahşap bazlı malzemeler
Elyafli beton testere bıçağı	Elyafli beton veya elyafli beton bazlı malzemeler

4.3 Depolama ve çalışma sıcaklığı

Depolama sıcaklığı	-20 °C ... 70 °C
İşletim sırasındaki ortam sıcaklığı	-17 °C ... 60 °C

4.4 Akü

Akü çalışma gerilimi	21,6 V
Akü ağırlığı	Bu kullanım kılavuzunun sonuna bakınız
İşletim sırasındaki ortam sıcaklığı	-17 °C ... 60 °C
Depolama sıcaklığı	-20 °C ... 40 °C
Şarj başlangıcında akü sıcaklığı	-10 °C ... 45 °C


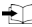
4.5 Ses bilgisi ve titreşim değerleri

Bu talimatlarda belirtilen ses basıncı ve titreşim değerleri, ilgili normlara uygun bir ölçüm metodu ile ölçülmüştür ve elektrikli el aletlerinin birbirleri ile karşılaştırılması için kullanılabilir. Zorlanmaların geçici olarak değerlendirilmesine de uygundur.

Belirtilen değerler, elektrikli el aletinin ana kullanım alanlarını temsil eder. Elektrikli el aletinin, farklı ek aletlerle veya yetersiz bakım yapılmış şekilde kullanılması durumunda, veriler sapma gösterebilir. Bu durum, toplam çalışma süresi boyunca zorlanmayı belirgin şekilde yükseltebilir.

Doğru bir zorlanma değerlendirmesi için elektrikli el aletinin kapatıldığı veya çalışır konumda olduğu ve ayrıca kullanımda olmadığı zamanlar da dikkate alınmalıdır. Bu durum, toplam çalışma süresi boyunca zorlanmayı belirgin şekilde azaltabilir.

Kullanıcıyı ses ve/veya titreşimin etkilerinden koruyacak ek güvenlik önlemleri belirleyiniz, örneğin: Elektrikli el aletinin ve ek aletlerin bakımının yapılması, ellerin sıcak tutulması, iş akışlarının düzenlenmesi.

 Burada uygulanan **EN 62841** standartlarının versiyonları hakkında ayrıntılı bilgi, uygunluk beyanının görüntüsünde  314 bulunabilir.



Gürültü bilgileri

Ses gücü seviyesi (L_{WA})	106 dB(A)
Ses gücü seviyesi için emniyetsizlik (K_{WA})	3 dB(A)
Ses basıncı seviyesi (L_{pA})	98 dB(A)
Ses basıncı seviyesi için emniyetsizlik (K_{pA})	3 dB(A)

Toplam titreşim değerleri

Bir sultanın testerelemesi ($a_{h,w}$)	B 22-55	0,9 m/sn ²
Bir alüminyum sacın testerelemesi ($a_{h,m}$)	B 22-55	1,7 m/sn ²
Emniyetsizlik (K)		1,5 m/sn ²

5 Çalışma hazırlığı


⚠ İKAZ

Yaralanma tehlikesi kazara çalışmaya başlama nedeniyle!

- ▶ Aküyü takmadan önce ilgili ürünün kapalı konumda olduğundan emin olunuz.
- ▶ Cihazın ayarlarını yapmadan veya aksesuarları değiştirmeden önce aküyü çıkartınız.

Bu dokümanda ve ürün üzerinde bulunan güvenlik ve uyarı bilgilerine dikkat ediniz.

5.1 Akünün şarj edilmesi

1. Şarj etmeden önce şarj cihazının kullanım kılavuzunu okuyunuz.
2. Akü ve şarj cihazının kontaklarının temiz ve kuru olmasına dikkat ediniz.
3. Aküyü izin verilen şarj cihazında şarj ediniz.  218

5.2 Akünün yerleştirilmesi

⚠ İKAZ

Yaralanma tehlikesi kısa devre veya akünün düşmesi nedeniyle!

- ▶ Aküyü yerleştirmeden önce, akü kontaklarında ve ürün içindeki kontaklarda yabancı cisim bulunmadığından emin olunuz.
 - ▶ Akünün her zaman tam oturduğundan emin olunuz.
1. İlk kullanım öncesinde akü tamamen şarj edilmelidir.
 2. Aküyü ürüne, duyulur şekilde yerine oturana kadar itiniz.
 3. Akünün alette emniyetli bir şekilde yerleşip yerleşmediğini kontrol ediniz.

5.3 Akünün çıkartılması

1. Akünün serbest bırakma düğmelerine basınız.
2. Aküyü üründen çıkartınız.

5.4 Devrilme emniyeti 

⚠ İKAZ

Düşen alet ve/veya aksesuar nedeniyle yaralanma tehlikesi!

- ▶ Sadece ürününüz için tavsiye edilen **Hilti** alet bağlama ipini kullanınız.
- ▶ Her kullanımdan önce alet bağlama ipinin sabitleme noktasını olası hasarlar bakımından kontrol ediniz.



Yüksekteki çalışmalar için ulusal yönetmelikleri dikkate alınız.

Bu ürün için devrilme emniyeti olarak sadece **Hilti** alet kordonunu #2261971 kullanınız.

- ▶ Aletin kordonunu resimde gösterildiği gibi ilmekle ürüne takınız. Güvenli tutuşu kontrol ediniz.



- ▶ Karabini bir taşıyıcı yapıya sabitleyiniz. Karabinin taşıyıcı yapıya sağlam bir şekilde sabitlenmiş olup olmadığını kontrol ediniz.



Hilti alet kordonu kullanım kılavuzlarını dikkate alınız.

5.5 Daldırma ünitesinin montaj konumuna getirilmesi 2



Daldırma ünitesi, sıkma civatasına montaj penceresinden erişilebilen bir montaj konumuna sahiptir. Kilit kolunu kullanarak montaj konumunu ayarlayabilirsiniz. Kilit kolunu geri katladığınızda (ana konum), daldırma ünitesi geri yaylanır. Daldırma ünitesini kontrollü bir şekilde ana konuma yönlendirmek için ürünü ana tutamaktan tutunuz.

1. Ürünü, maksimum kesme derinliği ile daldırma yapabileceğiniz şekilde konumlandırınız (örn. bir masanın kenarında).
2. Testere bıçağı montajı için montaj kapağını açınız.
3. Kesme derinliği ayar göstergesini maksimum değere (1) ayarlayınız.
4. Kilit kolunu yukarı doğru katlayınız (montaj konumu) (2).
5. Çalıştırma kilidini (3) basılı tutunuz ve daldırma ünitesini montaj konumuna getiriniz.
 - ▶ Daldırma ünitesi montaj konumunda duyuylabilir şekilde yerine oturur.
 - ▶ Sıkma civatası montaj penceresinde görünür şekilde ortalanmıştır.

5.6 Testere bıçağının sökülmesi 4

İKAZ

Testere bıçağında, sıkma civatasında ve sıkma flanşında yanma ve kesilme tehlikesi Yanıklar ve kesilme kaynaklı yaralanmalar söz konusu olabilir.

- ▶ Alet değiştirmek için koruyucu eldiveni kullanınız.

1. Daldırma ünitesini montaj konumuna getiriniz. 222
2. İş mili kilidine bastırınız ve tutunuz (1).
3. Sıkma civatasını allen anahtarı ile gevşetiniz (2).



Dönme yönü okuna göre kendinizi yönlendiriniz: Sıkma civatasını testere bıçağının dönüş yönünde gevşetiniz.

4. Sıkma civatasını ve sıkma flanşını çıkartınız.
5. Testere bıçağını koruma başlığından aşağı doğru çıkarınız.



Bağlama flanşı gerekirse temizlemek için çıkarılabilir.

5.7 Testere bıçağının takılması 5, 6

Bağlanacak testere bıçağının teknik gereklilikleri karşıladığından ve iyice bilenmiş olduğundan emin olunuz. Keskin bir testere bıçağı, kusursuz bir testere kesimi için ön koşuldur.

Her kullanımdan önce kesilecek malzeme için daima doğru testere bıçağını seçiniz.

1. Daldırma ünitesini montaj konumuna getiriniz. 222
2. Bağlantı ve sıkma flanşını temizleyiniz (1).
3. Bağlantı flanşını doğru biçimde yönlendirerek tahrik miline takınız.
4. Yeni testere bıçağını yerleştiriniz (2).
 - ▶ Testere bıçağının (3) ve koruma başlığının (4) üzerindeki dönme yönü okuna dikkat ediniz. Her iki dönme yönü okunun yönü eşleşmelidir.
5. Sıkma flanşını doğru biçimde yönlendirerek takınız.
6. Sıkma civatasını vidalayınız.
7. İş mili kilidine bastırınız ve tutunuz (5).



8. Sıkma civatasını allen anahtarları ile sıkınız (6).



Dönme yönü okuna göre kendinizi yönlendiriniz: Sıkma civatasını testere bıçağının dönüş yönünün tersine sıkınız.

9. Testere bıçağının yerine doğru oturup oturmadığını kontrol ediniz.
10. Ürünü ana tutamaktan tutunuz.
11. Kilitleme kolunu ana konuma getiriniz ve daldırma ünitesini ana konuma geri döndürünüz (7).
12. Testere bıçağı montajı için montaj kapağını kapatınız.

5.8 Sürgülü toz koruma penceresi

Optimum talaş emişi için, toz koruma penceresini daima iş parçasına mümkün olduğunca yakın itiniz.

5.9 Kesme derinliğinin ayarlanması 7



Ayarlanmış kesme derinliği, kesilecek malzeme kalınlığından her zaman 5 ila 10 mm daha büyük seçilmelidir.

1. Kesme derinliği ayarı için kilit açma tuşuna basınız ve basılı tutunuz (1).
2. Sürgüyü gerekli kesme derinliğine kaydırınız (2).
 - ▶ Kesme derinliği göstergesi, kılavuz raylı (3) ve kılavuz raysız (4) kesimler için ayrı bir ekrana sahiptir.
3. Kesme derinliği ayarı için kilit açma tuşunu bırakınız.

5.10 Gönyeli kesme için kesme açısının ayarlanması 8



Sıkma sırasında yardımcı tutamağa veya testereye baskı uygulamayarak farklı ön ve arka açı ayarlarından kaçınınız. Farklı açı ayarları nedeniyle kesim artık düz yapılamaz.

1. Kesme açısı ayarının (1) 2 sıkıştırma civatasını gevşetiniz.
2. Ürünü istenilen kesme açısına döndürünüz.
 - ▶ Açıları -1° veya 45° 'nin üzerinde (maksimum 47° 'ye kadar) ayarlamak istiyorsanız, kilit açma tuşunu (2) basılı tutunuz.
3. Kesme açısı ayarının iki sıkıştırma civatasından birini sıkınız.
4. Kesme açısı ayarının karşı sıkıştırma civatasını sıkınız.

5.11 Testere bıçağı devir sayısının ayarlanması

Her zaman kullandığınız testere bıçağına ve çalıştığınız malzemeye uygun bir devir sayısı kullanınız. Devir sayısı ayarlayarak testere dişlerinin aşırı ısınmasını önler ve testere bıçaklarının kullanım ömrünü uzatırsınız.

- ▶ Devir sayısı seçme çarkını uygun konuma çeviriniz.

5.12 Paralellik mesnedinin takılması 9



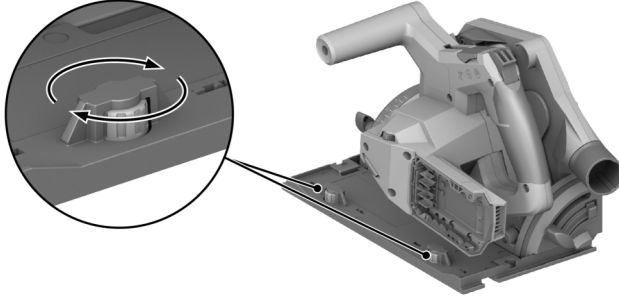
Ürün üzerindeki montaja bağlı olarak, paralellik mesnedi iki fonksiyondan birini yerine getirebilir:

- L şeklindeki kenar aşağıya doğru bakar:
Bir kenar boyunca tutarlı kesimler için paralellik mesnedi.
- L şeklindeki kenar yukarı doğru bakar:
Kılavuz ray olmadan kesim yaparken daha dengeli kılavuzluk için ana plakanın uzatılması.

1. Her iki sıkıştırma civatasını sökünüz.
2. Paralellik mesnedini ana plakanın montaj yuvalarına itiniz.
3. Paralellik mesnedini kesim için gereken mesafeye ayarlayınız.
 - ▶ Mesafelerin her iki tarafta da aynı olduğundan emin olunuz.
4. Her iki sıkıştırma civatasını sıkınız.



5.13 Ürünün kılavuz ray üzerine yerleştirilmesi



1. Ürünü, ana plakadaki olukla birlikte kılavuz nervürün üzerine yerleştiriniz.
2. Kılavuz ray ve ana plaka arasındaki boşluğu kontrol ediniz.
3. Eksantrik civataları (1) kullanarak boşluğu ayarlayınız:
 - ▶ Boşluğu azaltmak için eksantrik civataları saat yönünde çeviriniz.
 - ▶ Boşluğu artırmak için eksantrik civataları saat yönünün tersine çeviriniz.
4. Kayma hareketini etkilemeden boşluğu mümkün olduğunca düşük ayarlayınız.

6 Kullanım

Bu dokümanda ve ürün üzerinde bulunan güvenlik ve uyarı bilgilerine dikkat ediniz.

6.1 Açılması veya kapatılması

Ürünün açılması

1. Çalıştırma kilidini yukarı doğru bastırınız ve basılı tutunuz.
2. Göster/Gizle üzerine basınız ve basılı tutunuz.
3. Çalıştırma kilidini bırakınız.



Açma/kapama tuşunu basılı tuttuğunuz veya daldırma ünitesi dalış konumunda olduğu sürece çalıştırma kilidi açık konumda kalır. Daldırma ünitesi ana konumdayken açma/kapama tuşunu bıraktığınızda çalıştırma kilidi otomatik olarak kilitle konuma geçer.

Ürünün kapatılması

4. Daldırma ünitesini ana konuma geri getiriniz.
5. Açma/ Kapama şalterini serbest bırakınız.

6.2 Toz ve talaş yönetimi

- **Toz emici** ile testereleme:
Emme hortumunu emme soketine bağlayınız ve toz emicinin kullanım kılavuzundaki uyarıları dikkate alınız.
- **Toz torbası** ile testereleme:
Toz torbasını adaptörle birlikte toz emici için emme ağzına takınız.



Ürünü toz toplama yöntemi olmadan da çalıştırabilirsiniz. Talaş ve talaşların serbestçe dışarı atılabildiğinden emin olunuz.



6.3 Çatlağa göre kesim



Sadece ana plaka için yeterince geniş bir destek yüzeyi sunan düz iş parçalarını kesiniz.

1. İş parçasını kaymaya karşı emniyete alınız ve kesme yolunu (yirtik) işaretleyiniz.



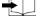


2. Kesme derinliğini ayarlayınız.  223
3. Ürünü, uyarlanabilir kesme göstergesi yırtılma çizgisinde olacak şekilde yerleştiriniz.
4. Ürünü açınız.  224
 - Ürünün daldırma hareketi yalnızca açma/kapama şalterinin kilidi açıkken mümkündür.
5. Daldırma ünitesini iş parçasının içine dayanak noktasına kadar daldırınız (1).
6. Ürünü iş parçası boyunca uygun bir çalışma hızında yönlendiriniz.
7. Testere bıçağı çalışırken daldırma ünitesini ana konuma geri döndürünüz (2).



Bu, testere bıçağının iş parçasına sıkışmasını önler.

8. Daldırma ünitesi ana konuma gelir gelmez ürünü kapatınız.  224



6.4 Daldırmalı kesim yapılması

1. Kesme derinliğini ayarlayınız.  223
2. Ürünü iş parçasının üzerine yerleştiriniz.
3. Ürünü açınız.  224
 - Ürünün daldırma hareketi yalnızca açma/kapama şalterinin kilidi açıkken mümkündür.
4. Ürünü iş parçasının içine dayanak noktasına kadar daldırınız.
5. Ürünü iş parçası boyunca uygun bir çalışma hızında yönlendiriniz.
6. Ürünü iş parçasından dışarı doğru döndürünüz.
7. Daldırma ünitesi ana konuma gelir gelmez ürünü kapatınız.  224




6.5 Gönyeli kesim yapılması (açılı kesim)



Ürün, ayarlanan kesme açısına otomatik olarak ayarlanan uyarlanabilir bir kesme göstergesine sahiptir. Uyarlanabilir kesme göstergesi yalnızca kılavuz rayı olmayan kesimler için geçerlidir. Bir kılavuz ray ile kesim yaparken, kesme hattı tasarım nedeniyle ayarlanan kesme açısından bağımsızdır.

1. Gönyeli kesimler için kesme açısını ayarlayınız.  223
2. Ürünü, uyarlanabilir kesme göstergesi yırtılma çizgisinde olacak şekilde yerleştiriniz.
3. Ürünü açınız.  224
4. Daldırma ünitesini iş parçasına daldırınız.
5. Ürünü kılavuz ray boyunca iş parçasında itiniz.

6.6 Kılavuz ray ile testere kesimleri 10

1. Kılavuz rayı 2 vidalı mengeneyle sabitleyiniz.
2. Ana plakayı kanalla birlikte kılavuz rayın kılavuz nervürüne yerleştiriniz.
3. Gönyeli kesimler için kesme açısını ayarlayınız.  223
4. Kesme derinliğini ayarlayınız.  223
5. Ürünü açınız.  224
6. Daldırma ünitesini iş parçasına daldırınız.
7. Ürünü kılavuz ray boyunca iş parçasında itiniz.

7 Bakım ve onarım



İKAZ

Takılı aküden dolayı yaralanma tehlikesi !

- Tüm bakım ve onarım çalışmalarından önce her zaman aküyü çıkarınız!

Ürün bakımı

- Yapışmış olan kirleri dikkatle çıkartınız.
- Eğer mevcutsa, havalandırma deliklerini kuru ve yumuşak bir fırça ile dikkatlice temizleyiniz.
- Gövdeyi sadece hafif nemli bir temizlik bezi ile temizleyiniz. Plastik parçalara yapışabileceğinden silikon içerikli bakım maddeleri kullanmayınız.
- Ürünün üzerindeki kontak noktalarını temizlemek için temiz ve kuru bir bez kullanınız.



Lityum İyon akülerin bakımı

- Bir aküyü asla havalandırma delikleri tıkalıyken kullanmayınız. Havalandırma deliklerini kuru, yumuşak bir fırça ile dikkatlice temizleyiniz.
- Akünün gereksiz yere toza veya kire maruz kalmamasını sağlayınız. Aküyü asla yüksek neme maruz bırakmayınız (örneğin suya daldırmayınız veya yağmurda bırakmayınız).
Bir akünün ıslanması halinde, ona hasarlı bir akü gibi davranınız. Yanıcı olmayan bir kabın içinde izole ediniz ve **Hilti** servisine başvurunuz.
- Aküyü yabancı yağ ve gresten uzak tutunuz. Akünün üzerinde gereksiz yere toz veya kir birikmesine izin vermeyiniz. Aküyü kuru, yumuşak bir fırça veya temiz, kuru bir bezle temizleyiniz. Plastik parçalara yapışabileceğinden silikon içerikli bakım maddeleri kullanmayınız.
Akünün kontak noktalarına dokunmayınız ve kontak noktalarına fabrikada uygulanmış olan gresi kesinlikle çıkartmayınız.
- Gövdeyi sadece hafif nemli bir temizlik bezi ile temizleyiniz. Plastik parçalara yapışabileceğinden silikon içerikli bakım maddeleri kullanmayınız.

Bakım

- Görünür tüm parçalarda hasar olup olmadığını ve kumanda elemanlarının sorunsuz şekilde çalışıp çalışmadığını düzenli olarak kontrol ediniz.
- Hasar ve/veya fonksiyon arızaları durumunda ürünü işletmeyiniz. Ürünü gecikmeden **Hilti** servisine tamir ettiriniz.
- Bakım ve onarım çalışmalarından sonra tüm koruma tertibatlarını yerleştiriniz ve bunların fonksiyonlarını sorunsuz olarak yerine getirmekte olup olmadıklarını kontrol ediniz.



Güvenli çalışma için sadece orijinal yedek parçalar ve tüketim malzemeleri kullanınız. **Hilti** tarafından onaylanmış, yedek parçaları, aksesuarları ve sarf malzemelerini **Hilti Store** veya şu adreste bulabilirsiniz: www.hilti.group

7.1 Koruma tertibatının temizlenmesi

1. Koruma tertibatlarını dikkatlice kuru bir fırça ile temizleyiniz.
2. Koruma tertibatlarının iç kısımlarında bulunan tortuları ve talaşları uygun bir alet ile temizleyiniz.

7.2 Talaş kanalının temizlenmesi

1. Emme başlığına bir toz emici taktıysanız, emme hortumunu emme başlığından çıkarınız.
2. Talaş kanalını bir fırça ile temizleyiniz.

8 Akülü aletlerin ve akülerin taşınması ve depolanması

Taşıma



DİKKAT

Taşıma sırasında aletin istem dışı çalışması !

- ▶ Ürünlerinizi her zaman aküler takılı olmadan taşıyınız!
- ▶ Aküleri çıkartınız.
- ▶ Aküleri kesinlikle sıkıca bağlanmamış koruma ile nakletmeyiniz. Nakliye sırasında, aküler aşırı şok ve titreşimlerden korunmalı ve başka akü kutupları ile temas ederek kısa devreye neden olmaları için, her türlü iletken malzeme veya diğer akülerden izole edilmiş olmalıdır. **Aküler için yerel taşıma talimatlarını dikkate alınız.**
- ▶ Aküler posta ile gönderilmemelidir. Hasarsız aküleri sevk etmek istemeniz halinde, bir nakliye şirketine başvurunuz.
- ▶ Ürünün ve akülerin hasar görmüş olup olmadığını her kullanımdan önce olduğu gibi uzun taşımaldan önce ve sonra kontrol ediniz.

Depolama



İKAZ

Arızalı veya akan aküler nedeniyle beklenmeyen hasar oluşumu !

- ▶ Ürünlerinizi her zaman aküleri yerleştirmeden depolayınız!
- ▶ Ürünü ve aküleri serin ve kuru bir yerde muhafaza ediniz. Teknik verilerde belirtilen sıcaklık sınır değerlerini dikkate alınız.



- ▶ Aküleri şarj cihazının üzerinde muhafaza etmeyiniz. Şarj işleminden sonra her zaman aküyü şarj cihazından çıkartınız.
- ▶ Aküleri kesinlikle güneşte, ısı kaynaklarının üzerinde veya cam arkasında muhafaza etmeyiniz.
- ▶ Ürünü ve aküleri çocukların ve yetkiz kişilerin ulaşamayacağı yerlerde muhafaza ediniz.
- ▶ Ürünün ve akülerin hasar görmüş olup olmadığını her kullanımdan önce olduğu gibi uzun süreli depolamalardan önce ve sonra kontrol ediniz.

9 Arıza durumunda yardım

Herhangi bir arıza durumunda akünün durum göstergesine dikkat ediniz. Bkz. Bölüm **Lityum İyon akü göstergeleri**.



Bu tabloda listelenmemiş veya kendi başınıza gideremediğiniz arızalarda lütfen yetkili **Hilti** servisimiz ile irtibat kurunuz.

Arıza	Olası sebepler	Çözüm
Açma/kapatma şalterine basılamıyor veya bloke olmuş.	Hata değildir (güvenlik fonksiyonu).	▶ Devreye alma kilidine basınız.
Devir sayısı aniden çok düşüyor.	Akü deşarj olmuş. Besleme gücü çok yüksek.	▶ Aküyü şarj ediniz. ▶ Besleme gücünü düşürünüz ve ürünü tekrar çalıştırınız.
Emiş gücü yok veya düşük	Talaş kanalı tıkanmış.	▶ Talaş kanalını temizleyiniz. 🔧 226
Testere bıçağı bloke olduktan sonra alet kendiliğinden çalışmaya başlamıyor.	Zorlanma emniyeti devreye girer.	▶ Devreye alma kilidine ve Açma/Kapatma şalterine tekrar basınız.
Akü duyulabilir bir "klik" sesi ile yerine oturmuyor.	Akünün kilit tırnakları kirlenmiş.	▶ Tırnakları temizleyiniz ve aküyü yeniden yerine oturtunuz.
Ürün normalden daha fazla titriyor.	Testere bıçağı yanlış takılmış.	▶ Testere bıçağını sökünüz ve tekrar monte ediniz.
Akünün LED'lerinde hiçbir şey görüntülenmiyor	Akü arızalı	▶ Hilti servisi ile irtibat kurunuz.

10 İmha



İKAZ

Usulüne uygun olmayan imha nedeniyle yaralanma tehlikesi! Dışarı çıkan gaz ve sıvılar nedeniyle sağlık sorunları.

- ▶ Hasar görmüş aküleri hiç bir şekilde göndermeyiniz!
- ▶ Kısa devreleri önlemek için, akünün bağlantılarını iletken olmayan bir malzeme ile kapatınız.
- ▶ Aküleri, çocukların ellerine geçmeyecek şekilde imha ediniz.
- ▶ Aküyü size en yakın **Hilti Store**'da imha ediniz veya imha etmek için yetkili şirketinize başvurunuz.



Hilti ürünleri yüksek oranda tekrar kullanılabilen malzemelerden üretilmiştir. Geri dönüşüm için gerekli koşul, usulüne uygun malzeme ayırımıdır. Çoğu ülkede **Hilti** eski aletlerini yeniden değerlendirmek üzere geri alır. Bu konuda **Hilti** müşteri hizmetlerinden veya satış temsilcilerinizden bilgi alabilirsiniz.



- ▶ Elektrikli el aletlerini, elektronik cihazları ve aküleri evdeki çöplere atmayınız!

11 Üretici garantisi

- ▶ Garanti koşullarına ilişkin sorularınız için lütfen yerel **Hilti** iş ortağınıza başvurunuz.



12 Diğer bilgiler

Kullanım, teknoloji, çevre ve geri dönüşüm hakkında daha fazla bilgi aşağıdaki bağlantıda bulunabilir:
qr.hilti.com/manual?id=2276609&id=2276671


Bu bağlantıya dokümanın sonunda bulunan QR kodu taratarak da ulaşabilirsiniz.



دليل الاستعمال الأصلي

1 بيانات بخصوص دليل الاستعمال

1.1 خاص بدليل الاستعمال هذا

- **تحذير!** قبل أن تستخدم المنتج، تأكد أنك قد قرأت واستوعبت دليل الاستعمال المرفق مع المنتج، بما في ذلك الإرشادات وتعليمات السلامة والتحذير والصور والمواصفات. تعرف بصفة خاصة على جميع الإرشادات وتعليمات السلامة والتحذير والصور والمواصفات وكذلك المكونات والوظائف. في حالة عدم مراعاة ذلك، يكون هناك خطر حدوث صعق كهربائي أو نشوب حريق و/أو وقوع إصابات بالغة. احتفظ بدليل الاستعمال شاملا جميع الإرشادات وتعليمات السلامة والتحذير للاستخدام اللاحق.
- منتجات **HILTI** مصممة للمستخدمين المحترفين ويقتصر استعمالها وصيانتها وإصلاحها على الأشخاص المعتمدين والمدربين جيدا. هؤلاء الأشخاص يجب أن يكونوا قد تلقوا تدريباً خاصاً على الأخطار الطارئة. قد يتسبب الجهاز وأدواته المساعدة في حدوث أخطار إذا تم التعامل معها بشكل غير سليم فنياً من قبل أشخاص غير مدربين أو تم استخدامها بشكل غير مطابق للتعليمات.
- دليل الاستعمال المرفق يتطابق مع الوضع الحالي للتقنية وقت الطباعة. يمكنك دائماً العثور على الإصدار أونلاين على صفحة المنتج Hilti. ولهذا الغرض، اتبع الرابط أو كود QR في دليل الاستعمال هذا والمميز بالرمز .
- لا يجوز تسليم المنتج إلى أي شخص إلا مع دليل الاستعمال هذا.

2.1 شرح العلامات

1.2.1 إرشادات تحذيرية

تنبه الإرشادات التحذيرية إلى الأخطار الناشئة عند التعامل مع الجهاز. يتم استخدام الكلمات الدلالية التالية:



خطر!

◀ تشير لخطر مباشر يؤدي لإصابات جسدية خطيرة أو إلى الوفاة.



تحذير!

◀ تشير لخطر محتمل قد يؤدي لإصابات جسدية خطيرة أو إلى الوفاة.









احترس!

◀ تشير لموقف خطر محتمل يمكن أن يؤدي لإصابات جسدية أو أضرار مادية.

2.2.1 الرموز في دليل الاستعمال

يتم استخدام الرموز التالية في دليل الاستعمال هذا:

يراعى دليل الاستعمال	
إرشادات الاستخدام ومعلومات أخرى مفيدة	
التعامل مع مواد قابلة لإعادة التدوير	
لا تتخلص من الأجهزة الكهربائية البطاريات ضمن القمامة المنزلية	
Hilti بطارية أيونات الليثيوم	
Hilti جهاز الشحن	

3.2.1 الرموز في الصور

تستخدم الرموز التالية في الرسوم التوضيحية:



2	تشير هذه الأعداد إلى الصورة المعنية في بداية دليل الاستعمال هذا.
3	ترقيم الصور يمثل ترتيب خطوات العمل في الصور، وقد يختلف عن ترقيم خطوات العمل في النص.
11	يتم استخدام أرقام المواضع في صورة العرض العام وهي تشير إلى أرقام تعليق الصورة في فصل عرض عام للمنتج.
	هذه العلامة من شأنها أن تُثير انتباهك جيداً عند التعامل مع المنتج.

3.1 الرموز المرتبطة بالمنتج

1.3.1 الرموز العامة

الرموز المتعلقة بالمنتج التي يتم استخدامها.

n_0	عدد اللغات الاسمي في الوضع المحايد
---	تيار مستمر
→	سهم اتجاه الدوران
RPM	عدد اللغات في الدقيقة
\varnothing	القطر
	نصل المنشار
	يدعم المنتج عملية نقل البيانات لاسلكياً، والتي تتوافق مع أجهزة آيفون وأندرويد.
	إذا وُجد على المنتج، فهذا يعني أن المنتج قد حصل على شهادة من هيئة التصديق هذه للأسواق الأمريكية والكندية وفقاً للمواصفات السارية.
Li-Ion	بطارية أيونات الليثيوم
	لا تستخدم البطارية أبداً كمطرقة.
	لا تدع البطارية تسقط. لا تستخدم بطارية تعرضت لصدمات أو أي نوع آخر من التلفيات.

2.3.1 علامات التوصية

يتم استخدام علامات التوصيات التالية على المنتج:

	استخدم نظارة واقية
--	--------------------

2 السلامة

1.2 إرشادات السلامة العامة المتعلقة بالأدوات الكهربائية

⚠ تحذير احرص على قراءة جميع إرشادات السلامة، التوجيهات، الصور التوضيحية والمواصفات الفنية المرفقة مع هذه الأداة الكهربائية. أي تقصير أو إهمال في الالتزام بالتعليمات التالية قد يتسبب في حدوث صق كهربائي، نشوب حريق و/أو وقوع إصابات خطيرة.

احتفظ بجميع مستندات إرشادات السلامة والتعليمات لاستخدامها عند الحاجة إليها فيما بعد. يقصد بمصطلح «الأداة الكهربائية» المذكور في إرشادات السلامة الأدوات الكهربائية المشغلة بالكهرباء، (باستخدام كابل الكهرباء) أو الأدوات الكهربائية المشغلة بالبطاريات (بدون كابل الكهرباء).

سلامة مكان العمل

← حافظ على نطاق عملك نظيفاً ومضاءً بشكل جيد. الفوضى أو أماكن العمل غير المضاءة يمكن أن تؤدي لوقوع حوادث.



- لا تعمل بالأداة الكهربائية في محيط معرض لخطر الانفجار يتواجد به سوائل أو غازات أو أنواع غبار قابلة للاشتعال. الأدوات الكهربائية تولد شررا يمكن أن يؤدي لإشعال الغبار والأبخرة.
- احرص على إبعاد الأطفال والأشخاص الآخرين أثناء استخدام الأداة الكهربائية. في حالة انصراف انتباهك قد تفقد السيطرة على الجهاز.

السلامة الكهربائية

- يجب أن يكون قابس توصيل الأداة الكهربائية متلائما مع المقبس. لا يجوز تعديل القابس بأي حال من الأحوال. لا تستخدم قوايس مهايأة مع أدوات كهربائية ذات وصلة أرضي محمية. القوايس غير المعدلة والمقابس الملائمة تقلل من خطر حدوث صدمة كهربائية.
- تجنب حدوث تلامس للجسم مع أسطح مؤرضة مثل الأسطح الخاصة بالمواسير وأجهزة التدفئة والمواقد والثلاجات. ينشأ خطر متزايد من حدوث صدمة كهربائية عندما يكون جسمك متصلا بالأرض.
- أبعد الأدوات الكهربائية عن الأمطار أو البلل. تسرب الماء إلى داخل الأداة الكهربائية يزيد من خطر حدوث صدمة كهربائية.
- لا تستخدم كابل التوصيل لحمل الأداة الكهربائية أو تعليقها أو لسحب القابس من المقبس. احتفظ بكابل التوصيل بعيدا عن السفونة والزيت والمواف الحادة والأجزاء المتحركة. كابلات التوصيل التالفة أو المتشابكة تزيد من خطر حدوث صعق كهربائي.
- عندما تعمل بأداة كهربائية في مكان مكشوف، فلا تستخدم سوى كابلات الإطالة المناسبة للعمل في النطاق الخارجي. استخدام كابل إطالة مناسب للعمل في النطاق الخارجي يقلل من خطر حدوث صعق كهربائي.
- إذا تعذر تجنب تشغيل الأداة الكهربائية في محيط رطب، فاستخدم مفتاح حماية من تسرب التيار. استخدام مفتاح الحماية من تسرب التيار يقلل خطر حدوث صدمة كهربائية.

سلامة الأشخاص

- كن يقظا وانتبه لما تفعل وتعامل مع الأداة الكهربائية بتعقل عند العمل بها. لا تستخدم الأداة الكهربائية عندما تكون متعبا أو تحت تأثير المخدرات أو الكحوليات أو العقاقير. فقد يتسبب عدم الانتباه للحظة واحدة أثناء الاستخدام في حدوث إصابات بالغة.
- ارتد تجهيزات وقاية شخصية وارتد دائما نظارة واقية. ارتداء تجهيزات وقاية شخصية، مثل قناع الوقاية من الغبار وأحذية الأمان المضادة للانزلاق وخوذة الوقاية أو واقي السمع، تبعا لنوع واستخدام الأداة الكهربائية، يقلل من خطر الإصابات.
- تجنب التشغيل بشكل غير مقصود. تأكد أن الأداة الكهربائية مطفأة قبل توصيلها بالكهرباء و/أو بالبطارية وقبل رفعها أو حملها. إذا كان إصبعك على المفتاح عند حمل الأداة الكهربائية أو كان الجهاز في وضع التشغيل عند التوصيل بالكهرباء، فقد يؤدي ذلك لوقوع حوادث.
- أبعد أدوات الضبط أو مفاتيح ربط البراغي قبل تشغيل الأداة الكهربائية. الأداة أو المفتاح المتواجد في جزء دوار من الجهاز يمكن أن يؤدي لحدوث إصابات.
- تجنب اتخاذ وضع غير طبيعي للجسم. احرص على أن تكون واقفا بأمان وحافظ على توازنك في جميع الأوقات. من خلال ذلك تستطيع السيطرة على الأداة الكهربائية بشكل أفضل في المواقف المفاجئة.
- ارتد ملابس مناسبة. لا ترتد ملابس فضفاضة أو حلي. احرص على أن يكون الشعر والملابس والقفازات بعيدة عن الأجزاء المتحركة. الملابس الفضفاضة أو الحلي أو الشعر الطويل يمكن أن تشبكت في الأجزاء المتحركة.
- إذا أمكن تركيب تجهيزات شفط وتجميع الغبار، فتأكد أنها موصلة ومستخدمة بشكل سليم. استخدام تجهيزة شفط الغبار يمكن أن يقلل الأخطار الناتجة عن الغبار.
- لا تعتقد بأنك في مأمن عن الخطر ولا تتجاهل تشرعيات السلامة المعنية للأدوات الكهربائية، حتى وإن كنت على دراية بالأداة الكهربائية بعد تكرار استخدامها. التعامل مع الجهاز بدون حذر قد يؤدي إلى وقوع إصابات بالغة في جزء من الثانية.

استخدام الأداة الكهربائية والتعامل معها

- لا تفرط في التحميل على الجهاز. استخدم الأداة الكهربائية المناسبة للعمل الذي تقوم به. استخدام الأداة الكهربائية المناسبة يتبع لك العمل بشكل أفضل وأكثر أمانا في نطاق العمل المقرر.
- لا تستخدم أداة كهربائية ذات مفتاح تالف. الأداة الكهربائية التي لم يعد يمكن تشغيلها أو إطفائها تمثل خطورة ويجب إصلاحها.
- اسحب القابس من المقبس و/أو اخلع البطارية القابلة للخلع من الجهاز قبل إجراء عمليات الضبط، أو استبدال أجزاء الملحقات أو عند ترك الجهاز. هذا الإجراء الوقائي يمنع بدء تشغيل الأداة الكهربائية دون قصد.



- ◀ احتفظ بالأدوات الكهربائية غير المستخدمة بعيداً عن متناول الأطفال. لا تسمح باستخدام الجهاز من قبل أشخاص ليسوا على دراية به أو لم يقرأوا هذه التعليمات. الأدوات الكهربائية خطيرة في حالة استخدامها من قبل أشخاص ليست لديهم الخبرة الواجبة.
- ◀ اعتني جيداً بالأدوات الكهربائية والملحقات. افحص الأجزاء المتحركة من حيث أداؤها لوظيفتها بدون مشاكل وعدم انحصارها واقمحصها من حيث وجود أجزاء مكسورة أو متعرضة للضرر يمكن أن تؤثر سلباً على وظيفة الأداة الكهربائية. اعمل على إصلاح الأجزاء التالفة قبل استخدام الجهاز. الكثير من الحوادث مصدرها الأدوات الكهربائية التي تم صيانتها بشكل رديء.
- ◀ حافظ على أدوات القطع حادة ونظيفة. تتميز أدوات القطع ذات حواف القطع المادية المعتنى بها بدقة بأنها أقل عرضة للتعثّر وأسهل في التعامل.
- ◀ استخدم الأداة الكهربائية والملحقات وأدوات العمل وخلافه طبقاً لهذه التعليمات. احرص في هذه الأثناء على مراعاة اشتراطات العمل والمهمة المراد تنفيذها. استخدام الأدوات الكهربائية في تطبيقات غير تلك المقررة لها يمكن أن يؤدي لمواقف خطيرة.
- ◀ حافظ على المقابض ومواضع المسك في حالة جافة ونظيفة وخالية من الزيت والشحم. المقابض ومواضع المسك الانزلاقية تحول دون استعمال الأداة الكهربائية والتحكم بها بشكل آمن في المواقف غير المتوقعة.

استخدام الأداة العاملة بالبطارية والتعامل معها

- ◀ لا تشحن البطارية إلا في أجهزة شحن موصى بها من قبل الجهة الصانعة. بالنسبة لجهاز الشحن المناسب لنوع معين من البطاريات، ينشأ خطر الحريق عند استخدامه مع بطاريات أخرى.
- ◀ لا تضع في الأدوات الكهربائية سوى البطاريات المخصصة لها. استخدام بطاريات أخرى يمكن أن يؤدي لوقوع إصابات وخطر الحريق.
- ◀ أبعد البطارية غير المستخدمة عن مشابك الورق وقطع النقود المعدنية والمفاتيح والمسامير والبراغي أو الأشياء المعدنية الصغيرة الأخرى التي يمكن أن تتسبب في توصيل الملامسين لبعضهما. حدوث قفلة كهربائية بين أطراف توصيل البطارية يمكن أن ينتج عنه حدوث حروق أو نشوب حريق.
- ◀ عند الاستخدام بشكل خاطئ يمكن أن يتسرب سائل من البطارية. تجنب ملامسته. اشطفه بالماء في حالة ملامسته عن طريق الخطأ. إذا وصل السائل للعينين، فتوجه للطبيب علاوة على ذلك. سائل البطارية المتسرب يمكن أن يؤدي لتبعية البشرة أو حدوث حروق.
- ◀ لا تستخدم بطارية تالفة أو مختلفة. البطاريات التالفة أو المختلفة قد تتفاعل مع نفسها بشكل غير متوقع مما يؤدي لنشوب حريق أو حدوث انفجار أو وقوع إصابات.
- ◀ لا تعرض البطارية للنار أو لدرجات حرارة مرتفعة للغاية. حيث قد تؤدي النار ودرجات الحرارة الزائدة عن 130 °م (265 °ف) إلى حدوث انفجار.
- ◀ التزم بكافة التعليمات المعنية بالشحن، ولا تقم أبداً بشحن البطارية أو الأداة العاملة بالبطارية خارج نطاق درجة الحرارة الوارد ذكره في دليل التشغيل. الشحن بشكل خاطئ أو خارج نطاق درجة الحرارة المسموح به قد يتلف البطارية ويزيد من خطر الحريق.

الخدمة

- ◀ اعمل على إصلاح أدواتك الكهربائية على أيدي فنيين معتمدين فقط والاقتصار على استخدام قطع الغيار الأصلية. وبذلك تتأكد من الحفاظ على سلامة الجهاز.
- ◀ لا تقم أبداً بصيانة البطاريات التالفة. يجب أن تتم جميع أعمال الصيانة بمعرفة الجهة الصانعة فقط أو من خلال مراكز خدمة العملاء المعتمدين.

2.2 إرشادات السلامة لجميع المناشير

عمليات النشر

- ◀ ⚠️ خطر: لا تدخل يديك في نطاق النشر ولا تلامس شفرة المنشار. أمسك المقبض الإضافي أو جسم المحرك بيدك الثانية. عندما تمسك المنشار بيدك لا يمكن لشفرة المنشار أن تصيبها بجروح.
- ◀ لا تضع يدك تحت قطعة الشغل. فالغطاء الواقي لا يمكن أن يحميك من شفرة المنشار أسفل قطعة الشغل.
- ◀ قم بمواءمة عمق القطع مع سُمك قطعة الشغل. ويجب ألا يظهر من الشفرة أسفل قطعة الشغل إلا جزء أقل من الارتفاع الكامل للسنون.
- ◀ لا تمسك قطعة الشغل التي تريد قطعها بالمنشار أبداً باليد أو تضعها فوق ساقيك. وقم بتثبيت قطعة الشغل على قاعدة ثابتة. ومن المهم تثبيت قطعة الشغل جيداً للحد من خطر ملامسة أجزاء الجسم أو انحصار شفرة المنشار أو فقدان السيطرة عليها.



- أمسك الأداة الكهربائية فقط من مواضع المسك المعزولة عند إجراء أعمال يحتمل فيها أن تتلامس أداة الشغل مع أسلاك كهربائية مخفية. حيث إن ملامسة سلك يسري فيه التيار الكهربائي من شأنه أيضا أن ينقل الجهد الكهربائي للأجزاء المعدنية بالأداة الكهربائية ويؤدي لحدوث صدمة كهربائية.
- عند القطع الطولي استخدم دائما مصداً أو مجرى دليلاً مستقيماً للحواف. ومن شأن ذلك تحسين دقة القطع وتقليل احتمالية انحصار شفرة المنشار.
- استخدم دائما شفرات منشار بالمقاس الصحيح وبتجويف تركيب مناسب (على شكل نجمة أو مستدير مثلا). فشفرات المنشار التي لا تتناسب مع أجزاء التركيب بالمنشار تدور بدون انتظام وتؤدي إلى فقدان السيطرة على الجهاز.
- لا تستخدم أبداً وردات أو براغي متضررة أو غير مناسبة لشفرات المنشار. فهناك وردات وبراعي لشفرات المنشار صُممت خصيصاً لمشارك لضمان القدرة والسلامة التشغيلية المثالية.

الحركة الارتدادية - الأسباب وإرشادات السلامة المعنية

- الارتداد عبارة عن رد فعل مفاجئ نتيجة لشفرة المنشار عالقة أو محشورة أو موجهة بشكل غير صحيح، وهو ما يؤدي إلى ارتفاع المنشار بشكل منفلت وتحركه بعيداً عن قطعة الشغل باتجاه المستخدم.
- عندما تنص شفرة المنشار أو تعلق في شق النشر المنغلق، فإنها تتعرض للإعاقة، وعندئذ تدفع قوة المحرك المنشار في اتجاه المستخدم،
- في حالة التواء شفرة المنشار أثناء عملية القطع أو في حالة توجيهها بشكل غير صحيح، فمن الممكن أن تعلق أسنان الحافة الخلفية لشفرة المنشار في سطح قطعة الشغل، وهو ما يتسبب في خروج شفرة المنشار من شق النشر وارتداد المنشار باتجاه المستخدم.

يحدث ارتداد الجهاز نتيجة للاستخدام الخاطئ للمنشار. ويمكن تفادي حدوثه من خلال اتخاذ الإجراءات الوقائية المناسبة كما هو مشروع فيما يلي.

- أمسك المنشار جيداً بكلتا اليدين وبعيداً عن ذراعك في وضع يمكنك من امتصاص قوى الارتداد.
- قف دائماً في وضع جانبي لشفرة المنشار، ولا تجعل شفرة المنشار على خط واحد أبداً مع جسمك. في حالة حدوث ارتداد يمكن أن يرتد المنشار الدائري للخلف، غير أن المستخدم يمكنه السيطرة على قوى الارتداد من خلال اتخاذ إجراءات الوقاية المناسبة.
- إذا تعرضت شفرة المنشار للانحصار أو توقفت عن العمل، فأوقف المنشار واحتفظ به في قطعة الشغل في وضع متزن، إلى أن تتوقف شفرة المنشار تماما. لا تحاول أبداً نزع المنشار من قطعة الشغل أو سحبه للخلف طالما كانت شفرة المنشار تتحرك، وإلا فقد يحدث ارتداد. حدد سبب انحصار شفرة المنشار وتغلب عليه.
- إذا أردت إعادة تشغيل منشار وهو داخل قطعة الشغل، فقم بمركزة شفرة المنشار في شق النشر وتحقق من أن أسنان المنشار ليست عالقة في قطعة الشغل. وإذا كانت شفرة المنشار عالقة، فمن الممكن أن تتحرك خارج قطعة الشغل أو تتسبب في حدوث ارتداد عند تشغيل المنشار مجدداً.
- قم بتدعيم الألواح العريضة لتفادي خطر حدوث ارتداد بفعل شفرة المنشار العالقة. فالألواح العريضة يمكن أن تنثنى بفعل وزنها الذاتي. ويجب تدعيم الألواح من الجانبين، سواء بالقرب من شق القطع أو عند الحافة.
- لا تستخدم شفرات منشار ثلثة أو متضررة. فشفرات المنشار ذات الأسنان الثلثة أو المتحاذية بشكل غير صحيح تتسبب في زيادة الاحتكاك وانحصار شفرة المنشار وحدوث الارتداد، وذلك بفعل ضيق شق النشر.
- تحقق من أوضاع ضبط عمق القطع وزاوية القطع قبل البدء في القطع بالمنشار. ففي حالة تغيير أوضاع الضبط أثناء القطع بالمنشار يمكن أن تتعرض شفرة المنشار للانحصار ويحدث ارتداد.
- احرص على توخي الحذر الشديد عند القطع بالمنشار في الجدران القائمة أو النطاقات الأخرى الكامنة. فشفرة المنشار المتوعدة في السطح يمكن أن تصطدم بأشياء مخفية أثناء القطع وتتسبب في حدوث ارتداد.

وظيفة غطاء الحماية

- تحقق قبل كل استخدام من انغلاق الغطاء الواقي بشكل سليم. لا تستخدم المنشار ما لم يكن الغطاء الواقي حر الحركة أو إذا لم ينغلق على الفور. لا تقم بزلق أو تثبيت الغطاء الواقي أبداً، وإلا فستصبح شفرة المنشار غير مؤمنة. ففي حالة سقوط المنشار سهواً على الأرض، قد ينثنى الغطاء الواقي. تحقق من حرية حركة الغطاء الواقي، وأنه لا يلمس شفرة المنشار أو الأجزاء الأخرى أيًا كانت زاوية القطع أو عمق القطع.
- تحقق من حالة نواض الغطاء الواقي وأداءها الوظيفي. واعمل على صيانة المنشار قبل الاستخدام إذا لم يكن الغطاء الواقي والنواض تعمل بشكل سليم. ویراعی أن الأجزاء المتضررة والرواسب المتلتصقة أو تراكمات النشارة تؤدي إلى تباطؤ عمل الغطاء الواقي السفلي.



- ◀ عند القيام بعملية "قطع غاطس" بزواوية غير قائمة، قم بتأمين قاعدة ارتكاز المنشار ضد الانحراف الجانبي. فالانحراف الجانبي يمكن أن يؤدي إلى انحصار شفرة المنشار وبالتالي إلى حدوث ارتداد.
- ◀ لا تضع المنشار على طاولة العمل أو على الأرض دون أن تكون شفرة المنشار مغطاة بالغطاء الواقي. فالدوران اللاحق لشفرة المنشار غير المغطاة يعمل على تحريك المنشار عكس اتجاه القطع، مما يجعله يقطع ما يقابله. ويراعى في ذلك فترة الدوران اللاحق للمنشار.

3.2 إرشادات إضافية للسلامة

سلامة الأشخاص

- ◀ لا تقم أبداً بإجراء أية تدخلات أو تعديلات على الأداة الكهربائية أو الملحقات.
- ◀ احرص على تشغيل الأداة الكهربائية باستخدام تجهيزات الحماية الخاصة بها فقط.
- ◀ إذا قمت بتشغيل الأداة الكهربائية دون استخدام شفاط للغبار، فيجب عليك ارتداء واقى خفيف للتنفس عند إجراء أعمال يتولد عنها غبار.
- ◀ أمسك الأداة الكهربائية دائماً بكلتا يديك من المقابض المخصصة لذلك.
- ◀ استخدم واقياً للسمع. لذا يرجى مراعاة أن الضجيج الصاخب يمكن أن يُفقدك القدرة على السمع.
- ◀ خذ قسطاً من الراحة أثناء العمل وحرص على عمل تمارين استرخاء وتمارين للأصابع لغرض سريان الدم في الأصابع بشكل أفضل.
- ◀ الأداة الكهربائية غير مخصصة للاستخدام من قبل الأشخاص ذوي البنية الضعيفة دون تدريبهم.
- ◀ لا تقم بتشغيل الأداة الكهربائية في مكان العمل حتى تقوم بنقله إلى وضع العمل.
- ◀ قم بخلع البطارية، في حالة وجود مشكلة في الأداة الكهربائية وعند تغيير أدوات الشغل أو الملحقات وعند تخزين ونقل الأداة الكهربائية.
- ◀ لا تعمل بالأداة الكهربائية فوق مستوى الرأس.
- ◀ لا تكيح الأداة الكهربائية من خلال الضغط على شفرة المنشار من الجانب.
- ◀ تأكد قبل تركيب البطارية أن المنشار متوقف ومانع التشغيل مثبت تماماً. بهذه الطريقة، يمكنك تجنب الإصابات من خلال تشغيل الأداة الكهربائية دون قصد.
- ◀ لا تلمس فلانشة الشد أو برغي الشد أثناء تشغيل الأداة الكهربائية.
- ◀ قبل أن تقوم بخلع الأداة الكهربائية، انتظر إلى أن يتوقف نصل المنشار تماماً.
- ◀ انتظر حتى تبرد الأداة الكهربائية قبل تغييرها.
- ◀ لا تستخدم مثبت البريمة أبداً أثناء دوران نصل المنشار.
- ◀ لا تقم بتوجيه الأداة الكهربائية نحو الأشخاص.
- ◀ يجب دائماً أن يكون مانع التشغيل مثبتاً تماماً عند قيامك بتغيير ملحقات أو بطاريات أو عند النقل أو إذا أردت تخزين الأداة الكهربائية.
- ◀ استخدم دائماً شفرة منشار مناسبة للخامة ولطبيعة قطعة الشغل.
- ◀ لا تقم أبداً بتركيب أسطوانات تجليخ من أي نوع على هذه الأداة الكهربائية.
- ◀ لا تقم بتوجيه الأداة الكهربائية نحو قطعة الشغل إلا أثناء التشغيل.
- ◀ قم بمواءمة قوة الدفع على شفرة المنشار مع الخامة التي تقطعها. وبذلك تتجنب تعرض شفرة المنشار للإعاقة مما يتسبب في حدوث ارتداد في بعض الأحيان.
- ◀ تجنب وصول رؤوس أسنان المنشار إلى درجات حرارة مفرطة.
- ◀ يجب ألا يقل عدد اللفات المسموح به لأداة الشغل عن عدد اللفات الأقصى المدون على الأداة الكهربائية. فالملق الذي يدور بسرعة أكبر من السرعة المسموح بها يمكن أن ينكسر ويتطاير في النطاق المحيط.
- ◀ لا تعمل في نطاق شديد التلوث بالغبار.
- ◀ يمكن أن يحتوي الغبار الناتج عن التجليخ والسفرة والقطع والثقب على مواد كيميائية خطيرة. بعض الأمثلة: الرصاص أو الدهانات التي تحتوي على الرصاص، الطوب والفرسانة والمنتجات الأخرى للجران، أحجار البناء الطبيعية والأدوات الكهربائية الأخرى المحتوية على السيليكات، بعض الأخشاب مثل البلوط والزان والأخشاب المعالجة كيميائياً، الأسبستوس أو الخامات المحتوية على الأسبستوس. قم بتحديد مدى تعرض المستخدم والأشخاص المحيطين لفئة خطر الخامات التي يجري العمل عليها. اتخذ التدابير اللازمة للحفاظ على مدى التعرض في مستوى آمن، على سبيل المثال، استخدام نظام تجميع الغبار أو ارتداء كمامة مناسبة للتنفس. تشمل التدابير العامة للحد من مدى التعرض ما يلي:
- ◀ العمل في نطاق جيد التهوية،
- ◀ تجنب ملامسة الغبار لفترة طويلة،
- ◀ إزالة الغبار عن الوجه والجسم،
- ◀ ارتداء ملابس واقية وغسل المناطق المكشوفة بالماء والصابون.



- ◀ احرص دائماً أنت وجميع الأشخاص الآخرين في نطاق العمل على ارتداء قناع تنفس واقٍ يفي بمتطلبات الاستخدام.
- ◀ أثناء استخدام الأداة الكهربائية، احرص أنت وجميع الأشخاص الآخرين في نطاق العمل على ارتداء نظارة واقية ملائمة وخوذة حماية وواقية الأذنين وقفاز واقٍ وحذاء واقٍ.
- ◀ احرص قبل بدء العمل على معرفة فئة خطر الغبار الناشئ عند إجراء العمل. استخدم شفاط غبار أعمال الإنشاءات ذي فئة حماية مصرح بها رسمياً ومطابق للتعليمات المحلية الخاصة بالحماية من الغبار.
- ◀ يرجى مراعاة قوانين حماية العمال المحلية.
- ◀ استخدم تجهيزات شد أو وسيلة عملية أخرى لتأمين قطعة الشغل وثبيتها بإحكام. يعتبر تثبيت قطعة الشغل باستخدام اليد أو الجسم تثبيتاً غير محكم، وقد يتسبب في فقدان السيطرة. لا تسمح لشخص آخر بتثبيت قطعة الشغل في موضعها.
- ◀ لا تقم بأعمال قطع في أسطح غير معروفة، واحرص على إخلاء مسار القطع بأعلى وأسفل من أية عوائق. قد يتسبب نصل المنشار في الارتداد على الأداة الكهربائية في حالة اصطدامه بأي شيء.
- ◀ خطر الإصابة من جراء سقوط الأدوات و/أو الملحقات. تأكد قبل بدء العمل أن الملحقات المثبتة بشكل آمن.
- ◀ عند النشر بالارتباط مع مزيل الغبار، تجنب ملامسة غطاء الحماية من الغبار أو خرطوم الشفط. في حالة المواد التي تتسبب في تصاعد الغبار بشدة، قد يتزايد خطر حدوث صدمة كهروستاتيكية.
- ◀ تأكد من عدم وجود عوائق في مسار القطع، مثل المسامير أو البراغي أو أجزاء معدنية أخرى.
- ◀ اقتصر على استخدام شفرات المناشير الموصى بها بواسطة Hilti، التي تطابق المواصفة EN 847-1.
- ◀ عند نشر الخامات البلاستيكية، احرص على عدم سخونة قطعة الشغل بشكل مفرط وانصهارها.

السلامة الكهربائية

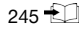

- ◀ قبل بدء الأعمال افحص نطاق العمل من حيث وجود توصيلات كهرباء مغطاة أو مواسير للغاز والماء، على سبيل المثال، باستخدام جهاز كشف. الأجزاء المعدنية الخارجية بالأداة الكهربائية يمكن أن يسري فيها الجهد الكهربائي، وذلك إذا قمت سبواً بإتلاف إحدى توصيلات التيار على سبيل المثال. وبالتالي يزداد خطر حدوث صدمة كهربائية.

4.2 التعامل بعناية مع الأجهزة العاملة بالبطاريات واستخدامها

- ◀ احرص على مراعاة إرشادات السلامة التالية للتعامل والاستخدام الآمن لبطاريات أيونات الليثيوم. وعدم مراعاة ذلك قد يؤدي إلى حدوث تيجيات للبشرة، إصابات أكلة بالغة، حروق كيميائية، حرائق و/أو انفجارات.
- ◀ اقتصر على استخدام البطاريات وهي في حالة سليمة من الناحية الفنية.
- ◀ احرص على التعامل مع البطاريات بعناية لتجنب وقوع أضرار ومنع تسرب السوائل التي قد تضر بالصحة بصورة كبيرة!
- ◀ لا يجوز بأي حال من الأحوال تعديل البطاريات أو العبث بها!
- ◀ لا يجوز تفكيك البطاريات أو سحقها أو وضعها في درجة حرارة أعلى من 80° م (176° ف) أو حرقها.
- ◀ لا تقم باستخدام أو شحن بطاريات تعرضت لصدّات أو أي نوع آخر من الأضرار. افحص البطاريات بشكل دوري بحثاً عن علامات التلف.
- ◀ لا تقم مطلقاً باستخدام بطاريات مُعاد تدويرها أو التي تم إصلاحها.
- ◀ لا تستخدم أبداً البطارية أو أية أداة كهربائية مشغلة بالبطارية كمبرقة.
- ◀ لا تقم مطلقاً بتعرض البطاريات لأشعة الشمس المباشرة أو درجات الحرارة المرتفعة أو تولد الشرر أو اللهب المكشوف. فقد يؤدي ذلك إلى حدوث انفجارات.
- ◀ لا تلمس أقطاب البطارية بأصابعك، أدوات، حُلّي أو أية أشياء أخرى موصلة للكهرباء. فقد يؤدي ذلك إلى إلحاق الضرر بالبطارية وحدث أضرار مادية والإصابات.
- ◀ احتفظ بالبطاريات بعيداً عن الأمطار والبلل والسوائل. فالرطوبة المتسربة قد تتسبب في حدوث قفلات كهربائية، صدّات كهربائية، حرائق وانفجارات.
- ◀ اقتصر على استخدام الشواحن والأدوات الكهربائية المقررة لهذه البطارية. يلزم مراعاة المعلومات الواردة في دليل الاستعمال المعني.
- ◀ لا تقم باستخدام أو تخزين البطارية في النطاقات المعرضة لخطر الانفجار.



في حالة السخونة الشديدة للبطارية بحيث يتعذر الإمساك بها، فقد تكون تالفة. احرص على وضع البطارية في مكان مرئي وغير قابل للاشتعال مع وجود مسافة كافية من الخامات القابلة للاشتعال. اترك البطارية تبرد. إذا ظلت البطارية ساخنة بعد مرور ساعة لدرجة تعذر لمسها، فهذا يعني أنها تالفة. توجه إلى مركز خدمة Hilti أو اقرأ المستند "إرشادات لسلامة واستخدام بطاريات أيونات الليثيوم Hilti".

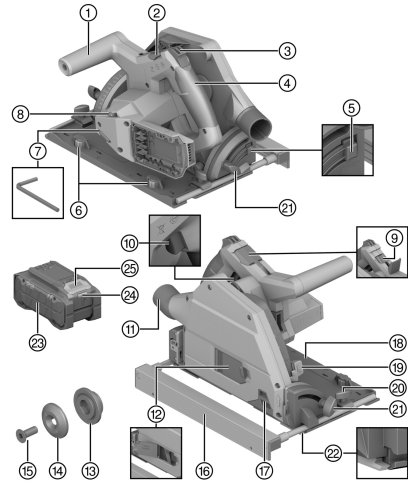
احرص على مراعاة اللوائح الفاصلة التي تسري على نقل وتخزين واستخدام بطاريات أيونات الليثيوم.  245 

اقرأ إرشادات سلامة واستخدام بطاريات أيونات الليثيوم Hilti، التي يمكنك العثور عليها عن طريق مسح كود الاستجابة السريعة الموجود في نهاية دليل الاستعمال هذا.

3 الشرح

1.3 نظرة عامة على المنتج

- ① المقبض الإضافي
- ② ذراع تأمين تغيير نصل المنشار
- ③ مانع التشغيل
- ④ المقبض الرئيسي
- ⑤ زر تحرير زاوية القطع -1° و 47°
- ⑥ طارة ضبط معادلة الخلوص (الخلوص بين المجرى الدليلي وفتحة المجرى في قاعدة الارتكاز)
- ⑦ مفتاح سداسي مجوف الرأس
- ⑧ طارة ضبط عدد لفات نصل المنشار
- ⑨ مثبت البريمة
- ⑩ مفتاح التشغيل/الإيقاف
- ⑪ مخرج النشارة / فوهة التوصيل
- ⑫ غطاء التركيب الخاص بتغيير نصل المنشار
- ⑬ فلانشة التثبيت
- ⑭ فلانشة الشد
- ⑮ برغي الشد
- ⑯ المصد المتوازي
- ⑰ نافذة الحماية من الغبار القابلة للتحريك
- ⑱ قرص الارتكاز
- ⑲ ضابط عمق القطع
- ⑳ برغي القمط للمصد الدليلي المتوازي
- ㉑ برغي القمط الخاص بضبط زاوية القطع
- ㉒ مبيّن القطع المتوائم
- ㉓ البطارية
- ㉔ مبيّن حالة البطارية
- ㉕ زر تحرير البطارية



2.3 الاستخدام المطابق للتعليمات

المنتج الموضح عبارة عن منشار دائري غاطس عامل بالبطارية. وهو مخصص لأعمال النشر وعمل القطعيات الغاطسة فقط في الخامات التالية:

- الخشب والمواد الشبيهة بالخشب
- المواد البلاستيكية
- ألواح الملاط الجصي
- ألواح الأسمنت الليفي
- المعادن غير الحديدية

هذا المنتج مُصمم لأعمال النجارة وأعمال الإنشاءات الداخلية.

المنشار الدائري اليدوي مزود بفوهة توصيل لمزيل غبار اختياري مصممة لخرطوم الشفاطات الشائعة. لربط خرطوم مزيل الغبار بالمنشار، يلزم وجود مهابئ مناسبة.



اقتصر على استخدام شفرات المناشير المسموع بها للمنتج، التي تتوافق مع بيانات المواصفات الفنية (على سبيل المثال، القطر، عدد اللفات، السُمك، الخامة، إلخ...). لا يُسمح باستخدام أسطوانات التجليل أو القطع وأيضًا شفرات المناشير المصنوعة من فولاذ القطع السريع عالي السبك (HSS).
اقتصر على نشر قطع الشغل المستوية فقط، التي توفر سطح دعم كبير بما يكفي لقاعدة الارتكاز.

- اقتصر على استخدام بطاريات أيونات الليثيوم Hilti من النوع B 22 مع هذا المنتج. توصي Hilti باستخدام البطاريات المذكورة بالجدول الوارد بنهاية دليل الاستعمال هذا مع هذا المنتج.
- اقتصر على استخدام شواحن Hilti لشحن هذه البطاريات من الأنواع المذكورة في نهاية دليل الاستعمال هذا.

3.3 مجموعة التجهيزات الموردة

المنشار الدائري العامل بالبطارية، نصل المنشار، دليل الاستعمال

تجد المزيد من منتجات النظام المسموع بها للمنتج الفاص بك لدى متجر **Hilti Store** أو على موقع الإنترنت: www.hilti.group

4.3 بيانات بطارية أيونات الليثيوم

يمكن لبطاريات أيونات الليثيوم Hilti Nuron عرض حالة الشحن وبلاغات الأخطاء وحالة البطارية.

1.4.3 عرض حالة الشحن وبلاغات الأخطاء



خطر الإصابة بسبب سقوط البطارية!

- بينما البطارية مركبة، تأكد بعد الضغط على زر التمرير أنك قمت بإعادة تثبيت البطارية بشكل صحيح في المنتج المُستخدم.

لكي يتسنى الحصول على أحد البيانات التالية، اضغط لوهلة قصيرة على زر تمرير البطارية. وأيضًا يتم باستمرار عرض حالة الشحن وكذلك الاختلالات المُحتملة طوال فترة تشغيل المنتج الموصول.

الحالة	الاستعمال
تضيء أربع لمبات LED (4) باستمرار باللون الأخضر	حالة الشحن: 100 % إلى 71 %
تضيء ثلاث لمبات LED (3) باستمرار باللون الأخضر	حالة الشحن: 70 % إلى 51 %
تضيء لمبتا LED (2) باستمرار باللون الأخضر	حالة الشحن: 50 % إلى 26 %
تضيء لمبة LED واحدة (1) باستمرار باللون الأخضر	حالة الشحن: 25 % إلى 10 %
تومض لمبة LED واحدة (1) ببطء باللون الأخضر	حالة الشحن: > 10 %
تومض لمبة LED واحدة (1) بسرعة باللون الأخضر	بطارية أيونات الليثيوم فارغة الشحنة تمامًا. اشحن البطارية. إذا استمر وميض لمبة LED بسرعة بعد شحن البطارية، توجه إلى مركز خدمة Hilti.
تومض لمبة LED واحدة (1) بسرعة باللون الأصفر	هناك تحميل زائد على بطارية أيونات الليثيوم أو المنتج المرتبط بها أو بهما سخونة زائدة أو برودة زائدة أو بهما خطأ آخر. اعمل على توفير درجة حرارة العمل الموصى بها للمنتج والبطارية، واحرص على ألا يتعرض المنتج للتحميل الزائد عند استخدامه. إذا استمر وجود البلاغ، توجه إلى مركز خدمة Hilti.
تضيء لمبة LED واحدة (1) باللون الأصفر	بطارية أيونات الليثيوم والمنتج المرتبط بها ليسا متوافقين. يُرجى التوجه إلى مركز خدمة Hilti.
تومض لمبة LED واحدة (1) بسرعة باللون الأحمر	تم تعطيل بطارية أيونات الليثيوم ولا يمكن مواصلة استخدامها. يُرجى التوجه إلى مركز خدمة Hilti.



2.4.3 عرض حالة البطارية

للاستفسار عن حالة البطارية، احتفظ بزر التمرير مضغوطاً لمدة تزيد على ثلاث ثوانٍ. لا يكتشف النظام أي عطل محتمل في البطارية بسبب سوء الاستخدام، على سبيل المثال السقوط أو الثقب أو الأضرار الخارجية بفعل الحرارة، وما إلى ذلك

الحالة	الاستعمال
تضيء جميع لمبات LED كخط إضاءة متتابع، وبعد ذلك تضيء لمبة LED واحدة (1) باستمرار باللون الأخضر.	لا يزال من الممكن استخدام البطارية.
تضيء جميع لمبات LED كخط إضاءة متتابع، وبعد ذلك تومض لمبة LED واحدة (1) بسرعة باللون الأصفر.	تعذر إتمام الاستعلام عن حالة البطارية. كرر العملية أو توجه إلى مركز خدمة Hilti.
تضيء جميع لمبات LED كخط إضاءة متتابع، وبعد ذلك تضيء لمبة LED واحدة (1) باستمرار باللون الأحمر.	إذا كان لا يزال من الممكن استخدام منتج موصل، تكون قدرة البطارية المتبقية أقل من 50%. إذا لم يعد من الممكن استخدام منتج موصل، فهذا يعني أن البطارية في نهاية عمرها الافتراضي ويجب تغييرها. يُرجى التوجه إلى مركز خدمة Hilti.

4 المواصفات الفنية

1.4 خصائص المنتج

SC 6WP-22	
01	جيل المنتج
3.3 كجم	الوزن
(حسب 01 EPTA-Procedure دون بطارية)	
0.45 كجم	الوزن (المصد الدليلي المتوازي)
360 مم × 200 مم × 237 مم	الأبعاد (طول×عرض×ارتفاع)
1 مم ... 1.5 مم	سُمك النصل الفولاذي
57 مم	أقصى عمق للقطع
6,000 لفة/دقيقة	عدد اللفات الاسمي في الوضع المحايد
21.6 فلت	الجهد الكهربائي الاسمي

2.4 أنواع نصل المنشار والاستخدامات

نوع نصل المنشار	إرشاد حول الاستخدام
نصل المنشار الشامل نصل المنشار للقطع الدقيق	الخشب والمواد القائمة على الخشب
نصل المنشار للأسمنت الليفي	الأسمنت الليفي أو المواد القائمة على الأسمنت الليفي

3.4 درجة حرارة التخزين والتشغيل

20-°م ... 70°م	درجة حرارة التخزين
17-°م ... 60°م	درجة الحرارة المحيطة أثناء التشغيل

4.4 البطارية

21.6 فلت	جهد تشغيل البطارية
انظر نهاية هذا الدليل	وزن البطارية
17-°م ... 60°م	درجة الحرارة المحيطة أثناء التشغيل



20-°م ... 40°م	درجة حرارة التخزين
10-°م ... 45°م	درجة حرارة البطارية عند بدء الشحن

5.4 معلومات الضوضاء وقيم الاهتزاز

تم قياس ضغط الصوت وقيم الاهتزاز الواردة في هذا الدليل طبقاً لأحد معايير القياس المحددة ويمكن الاستعانة بها في إجراء مقارنة بين الأدوات الكهربائية مع بعضها البعض. وهي مناسبة أيضاً لتقدير حجم المخاطر بصورة أولية.

المواصفات الواردة تتعلق بالاستخدامات الأساسية للأداة الكهربائية. أما إذا تم استخدام الأداة الكهربائية في تطبيقات أخرى مع أدوات شغل مخالفة للمواصفات أو دون صيانة كافية، ففي هذه الحالة قد تختلف المواصفات. وقد يزيد هذا من نسبة المخاطر طوال مدة العمل بصورة واضحة.

وللحصول على تقدير دقيق لحجم المخاطر ينبغي أيضاً مراعاة الأوقات التي يتم فيها إيقاف الجهاز أو التي يتم فيها تشغيل الجهاز ولكن دون استخدام حقيقي. وقد يقلل هذا من نسبة المخاطر طوال مدة العمل بصورة واضحة. احرص على اتخاذ إجراءات إضافية للسلامة من شأنها حماية المستخدم من تأثير الضجيج و/أو الاهتزازات مثل: صيانة الأداة الكهربائية وأدوات الشغل والحفاظ على الأيدي في حالة دافئة وتنظيم مراحل العمل.

يمكن العثور على معلومات تفصيلية حول الإصدارات المستخدمة هنا وفقاً للمواصفات في الصورة EN 62841 الخاصة ببيان المطابقة 315.

معلومات الضجيج

106 ديسيبل (A)	مستوى شدة الصوت (L_{WA})
3 ديسيبل (A)	نسبة التفاوت لمستوى شدة الصوت (K_{WA})
98 ديسيبل (A)	مستوى ضغط الصوت (L_{pA})
3 ديسيبل (A)	نسبة التفاوت لمستوى ضغط الصوت (K_{pA})

قيم الاهتزاز الإجمالية

0.9 م/ثانية ²	B 22-55	نشر لوح خشب حبيبي ($a_{h,w}$)
1.7 م/ثانية ²	B 22-55	نشر لوح ألومنيوم ($a_{h,m}$)
1.5 م/ثانية ²		نسبة التفاوت (K)

5 التحضير للعمل

تحذير

خطر الإصابة من خلال التشغيل غير المقصود!

- تأكد قبل إدخال البطاريات أن الجهاز المختص مطفأ.
- اخلع البطارية قبل إجراء عمليات ضبط الجهاز أو تغيير أجزاء الملحقات التكميلية.

تراعى إرشادات الأمان والإرشادات التحذيرية الواردة في هذا المستند وعلى الجهاز.

1.5 شحن البطارية

1. قبل الشحن، قم بقراءة دليل استعمال جهاز الشحن.
2. احرص على أن تكون أطراف تلامس البطارية وجهاز الشحن نظيفة وجافة.
3. قم بشحن البطارية باستخدام شاحن مصراع به. 236

2.5 تركيب البطارية

تحذير

خطر الإصابة من خلال قفلة كهربائية أو سقوط البطارية!

- تأكد قبل تركيب البطاريات في الجهاز من عدم وجود أجسام غريبة بين أطراف توصيل البطارية والجهاز.
- تأكد من تثبيت البطارية بشكل صحيح دائماً.

1. اشحن البطارية لآخرها تماماً قبل التشغيل لأول مرة.
2. قم بتحريك البطارية في المنتج إلى أن تستقر في موضعها بصوت مسموع.



3. تفحص البطارية من حيث ثباتها في موضعها بشكل جيد.

3.5 خلع البطارية

1. اضغط على زر تحرير البطارية.
2. اسحب البطارية من المنتج.

4.5 تجهيزة الحماية من السقوط 2

تحذير

- خطر الإصابة** من جراء أدوات الشغل و/أو الملحقات المتساقطة!
- ◀ اقتصر على استخدام حزام تثبيت أداة الشغل من Hilti الموصى به لمنتجك.
 - ◀ افحص نقطة تثبيت حزام تثبيت أداة الشغل قبل كل استخدام بحثاً عن الأضرار المحتملة.

احرص على مراعاة اللوائح المحلية لبلدك للعمل على المرتفعات.

- اقتصر على استخدام حزام تثبيت أداة الشغل #2261971 من Hilti كتجهيزة حماية من السقوط مع هذا المنتج.
- ◀ قم بتثبيت حزام تثبيت أداة الشغل على المنتج باستخدام الحلقة كما هو موضح في الصورة. تحقق من التثبيت الآمن.
 - ◀ قم بتثبيت المشبك بهيكل داعم. تحقق من التثبيت الآمن للمشبك.

احرص على مراعاة دليل الاستعمال الخاص بحزام تثبيت أداة الشغل Hilti.

5.5 ضبط وحدة النشر الغاطس في موضع التركيب 3

تشتمل وحدة النشر الغاطس على موضع تركيب، والذي يتاح فيه الوصول إلى برغي الشد عبر نافذة التركيب. يمكنك ضبط موضع التركيب عن طريق ذراع التثبيت.

إذا قمت بطي ذراع التثبيت إلى الخلف (الوضع الأصلي)، فإن وحدة النشر الغاطس ترتد إلى الخلف. أمسك المنتج من المقبض الرئيسي، لكي يتسنى التحكم في توجيه وحدة النشر الغاطس إلى الوضع الأصلي.

1. قم بتركيب المنتج بحيث يمكنك الغوص بأقصى عمق قطع (مثلاً على حافة طاولة).
2. افتح غطاء التركيب لتركيب نصل المنشار.
3. اضبط مبيّن ضبط عمق القطع على أقصى قيمة (1).
4. اطو ذراع التثبيت إلى أعلى (وضع التركيب) (2).
5. اضغط واستمر في الضغط على مانع التشغيل (3) واغمس وحدة النشر الغاطس في موضع التركيب.
 - ◀ يتم تثبيت وحدة النشر الغاطس في موضع التركيب بصوت مسموع.
 - ◀ يقع برغي الشد بشكل مرئي في المنتصف بناقذة التركيب.

6.5 فك نصل المنشار 4

تحذير

خطر الإصابة بحروق أو جروح بواسطة شفرة المنشار وبرغي الشد وفلاشة الشد وقد يؤدي ذلك إلى الإصابة بحروق أو الإصابة بجروح قطعية.

- ◀ استخدم قفازاً واقياً لغرض تغيير الأداة.

1. اضبط وحدة النشر الغاطس في موضع التركيب.
2. اضغط مع الاستمرار على مثبت البريمة (1).
3. قم بتحرير برغي الشد باستخدام المفتاح سداسي الرأس المجوف (2).

احرص على الاهتمام بهم اتجاه الدوران: قم بحل برغي الشد في اتجاه دوران نصل المنشار.

4. قم بفك برغي الشد وفلاشة الشد.



5. قم بإزالة شفرة المنشار لأسفل من غطاء الحماية.

عند الحاجة يمكن خلع فلانشة التثبيت لغرض التنظيف.



7.5 تركيب نصل المنشار 5, 6

تأكد من أن نصل المنشار المراد تركيبه مع الجهاز يفي بالمتطلبات التقنية وأنه مشحودًا بشكل جيد.

حيث يعتبر نصل المنشار الحاد شرطاً أساسياً للقطع بالمنشار بدون مشاكل. قبل كل استخدام، اختر دائماً نصل المنشار المناسب للخامة المراد قطعها.

1. اضبط وحدة النشر الغاطس في موضع التركيب. 240
2. قم بتنظيف فلانشة التثبيت وفلانشة الشد (1).
3. قم بتركيب فلانشة التثبيت على بريمة الإدارة في الاتجاه الصحيح.
4. قم بتركيب شفرة المنشار الجديدة (2).
- ◀ يُراعى سهم اتجاه الدوران الموضح على نصل المنشار (3) وغطاء الحماية (4). يجب أن يتطابق توجيه أسهم اتجاه الدوران.
5. قم بتركيب فلانشة الشد في الاتجاه الصحيح.
6. اربط برغي الشد.
7. اضغط مع الاستمرار على مثبت البريمة (5).
8. أحكم ربط برغي الشد باستخدام المفتاح سداسي الرأس المجوف (6).

احرص على الاهتمام بسم اتجاه الدوران: أحكم ربط برغي الشد عكس اتجاه دوران نصل المنشار.



9. تأكد من ثبات شفرة المنشار بشكل سليم في موضعها.
10. أمسك المنتج من المقبض الرئيسي.
11. اضبط ذراع التثبيت في الوضع الأصلي وقم بتحريك وحدة النشر الغاطس لإرجاعها إلى الوضع الأصلي (7).
12. أغلق غطاء التركيب الخاص بتركيب نصل المنشار.

8.5 نافذة الحماية من الغبار القابلة للتحريك

لشفط النشارة على الوجه الأمثل، قم دائماً بتحريك نافذة الحماية من الغبار لتكون قريبة من قطعة الشغل قد الإمكان.

9.5 ضبط عمق القطع 7

يتعين دائماً اختيار عمق القطع المضبوط على قيمة أكبر من سُمك الخامة التي يتم قطعها بالمنشار بحوالي 5 إلى 10 مم.



1. اضغط واستمر في الضغط على وسيلة التحرير الخاصة بوضع القطع الدقيق (1).
2. قم بتحريك المزلاج على عمق القطع اللازم (2).
- ◀ يتضمن مبيان عمق القطع على بيان منفصل لعمليات القطع مع استخدام مجرى دليلي (3) وعمليات القطع بدون استخدام مجرى دليلي (4).
3. اترك وسيلة التحرير الخاصة بوضع القطع الدقيق.

10.5 ضبط زاوية القطع الخاصة بالقطوع المائلة 8

• تجنب أوضاع ضبط الزاوية المختلفة في الأمام وفي الخلف، وذلك من خلال عدم الضغط على المقبض الإضافي أو المنشار أثناء إحكام الربط. فمن خلال أوضاع ضبط الزاوية المختلفة، قد يتعدر إجراء عملية القطع بشكل مستقيم.



1. قم بحل كلا برغي القمط الخاصين بضبط زاوية القطع (1).
2. حرك المنتج إلى زاوية القطع المرغوبة.
- ◀ عندما ترغب في ضبط زاوية مقدارها 1°- أو تزيد على 45° (حتى 47° كحد أقصى)، اضغط واستمر في الضغط على زر التحرير (2).



3. أحكم ربط أحد برغي القمط الخاصين بضبط زاوية القطع.
4. أحكم ربط برغي القمط المواجه والخاص بضبط زاوية القطع.

11.5 ضبط عدد لفات المنشار

استخدم دائماً عدد لفات يكون مناسباً لنصل المنشار المُستخدم والخامة التي يتم التعامل معها. من خلال عدد اللفات المناسب يمكنك تجنب تعرض أسنان المنشار للسخونة المفرطة، كما تزيد من العمر الافتراضي لأنصال المنشار.

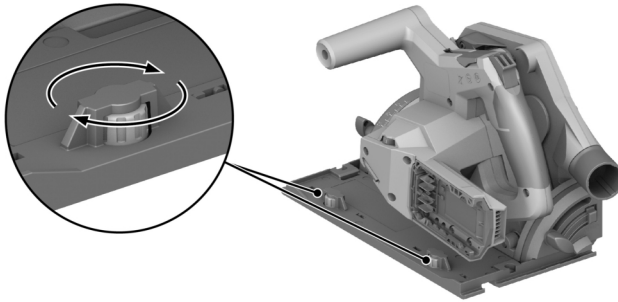
◀ أدر طارة اختيار عدد اللفات إلى الوضع المناسب.

12.5 تركيب المصد المتوازي

- i** حسب التركيب على المنتج، يمكن أن يفي المصد الدليلي المتوازي بإحدى الوظائفيتين:
- الحافة التي على شكل حرف L تشير إلى أسفل:
 - المصد الدليلي المتوازي لعمليات قطع متساوية على امتداد الحافة.
 - الحافة التي على شكل حرف L تشير إلى أعلى:
 - توسيع قاعدة الارتكاز لتوجيه أكثر ثباتاً في عمليات القطع بدون مجرى دليلي.

1. قم بحل كلا برغي القمط.
2. أدخل المصد الدليلي المتوازي في فتحات تركيب قاعدة الارتكاز.
3. اضبط المصد الدليلي المتوازي على المسافة اللازمة للقطع.
- ◀ يُراعى أن تكون المسافات على الجانبين متساوية.
4. أحكم ربط كلا برغي القمط.

13.5 وضع المنتج على المجرى الدليلي



1. ضع المنتج مع المز في قاعدة الارتكاز على ضلع التوجيه.
2. راجع الخلوص بين المجرى الدليلي و قاعدة الارتكاز.
3. اضبط الخلوص عن طريق البراغي اللامركزية (1) ein:
- ◀ لتقليل الخلوص، أدر البراغي اللامركزية في اتجاه حركة عقارب الساعة.
- ◀ لزيادة الخلوص، أدر البراغي اللامركزية عكس اتجاه حركة عقارب الساعة.
4. قم بتقليل الخلوص إلى أقصى حد ممكن مع مراعاة عدم تأثر الحركة الانزلاقية سلباً.

6 الاستعمال

تراعى إرشادات الأمان والإرشادات التحذيرية الواردة في هذا المستند وعلى الجهاز.



1.6 التشغيل أو الإيقاف

التشغيل

1. اضغط واستمر في الضغط على مانع التشغيل إلى أعلى.
2. اضغط واستمر في الضغط على مفتاح التشغيل/الإيقاف.
3. اترك مانع التشغيل.

يظل مانع التشغيل في وضع إلغاء التأمين، طالما كان مفتاح التشغيل/الإيقاف مضغوطاً أو كانت وحدة النشر الغاطس متواجدة في وضع النشر الغاطس. يعود مانع التشغيل أوتوماتيكياً إلى وضع التأمين، عندما تتواجد وحدة النشر الغاطس في الوضع الأصلي وتترك مفتاح التشغيل/الإيقاف.

الإيقاف

4. قم بإرجاع وحدة النشر الغاطس إلى الوضع الاصلي.
5. اترك مفتاح التشغيل/الإيقاف.

2.6 إدارة الغبار والنشارة

- النشر مع مزبل الغبار:
قم بتوصيل خرطوم الشفط بفوهات الشفط واحرص على مراعاة الإرشادات الواردة في دليل استعمال مزبل الغبار.
- النشر مع كيس الغبار:
أدخل كيس الغبار مع المهايئ في فوهات الشفط الخاصة بمزبل الغبار.

ويمكنك تشغيل المنتج أيضاً دون طرق التعامل مع الغبار. تأكد أنه يمكن إخراج غبار النشر والنشارة بشكل سليم.

3.6 النشر تبعاً لعلامات التحديد

اقتصر على نشر قطع الشغل المستوية فقط، التي توفر سطح دعم كبير بما يكفي لقاعدة الارتكاز.

1. قم بتأمين قطعة الشغل ضد التحرك وحدّد مسار القطع (الشق).
2. اضبط عمق القطع.
3. ضع المنتج عند خط القطع باستخدام مبين القطع المتوائم.
4. قم بتشغيل المنتج.
- غرس المنتج ممكن فقط عندما يكون مفتاح التشغيل/الإيقاف غير مقفل.
5. اغمس وحدة النشر الغاطس حتى النهاية في قطعة الشغل (1).
6. قم بتحريك المنتج على قطعة الشغل بسرعة الشغل المناسبة.
7. قم بإرجاع وحدة النشر الغاطس أثناء دوران نصل المنشار إلى الوضع الأصلي (2).

فمن خلال ذلك، تمنع تعرض انحصار نصل المنشار في قطعة الشغل.


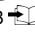
8. أوقف المنتج بمجرد تواجده وحدة النشر الغاطس في الوضع الأساسي.

4.6 تنفيذ القطع الغاطس


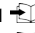
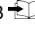
1. اضبط عمق القطع.
2. ضع المنتج على قطعة الشغل.
3. قم بتشغيل المنتج.
- غرس المنتج ممكن فقط عندما يكون مفتاح التشغيل/الإيقاف غير مقفل.
4. اغرس المنتج في قطعة الشغل حتى النهاية.
5. قم بتحريك المنتج على قطعة الشغل بسرعة الشغل المناسبة.
6. قم بتحريك المنتج خارج قطعة الشغل.
7. أوقف المنتج بمجرد تواجده وحدة النشر الغاطس في الوضع الأساسي.



i يشتمل المنتج على مبین قطع متوائم والذي يتواءم أوتوماتيكياً مع زاوية القطع المضبوطة. يسري مبین القطع المتوائم على عمليات القطع بدون مجرى دليلي. في حالة عمليات القطع مع استخدام مجرى دليلي، لا يرتبط خط القطع بزاوية القطع المضبوطة لأسباب تتعلق بالتصميم.

1. اضبط زاوية القطع للقطع المائل.  241
2. ضع المنتج عند خط القطع باستخدام مبین القطع المتوائم.
3. قم بتشغيل المنتج.  243
4. اغمس وحدة النشر الغاطس في قطعة الشغل.
5. قم بتحريك المنتج على قطعة الشغل بماذاة المجرى الدليلي.

6.6 القطع بالمنشار باستخدام المجرى الدليلي 10

1. قم بتثبيت المجرى الدليلي باستخدام قاطبتين حلزونيتين.
2. قم بتركيب قاعدة الارتكاز مع المز على ضلع التوجيه الخاص بالمجرى الدليلي.
3. اضبط زاوية القطع للقطع المائل.  241
4. اضبط عمق القطع.  241
5. قم بتشغيل المنتج.  243
6. اغمس وحدة النشر الغاطس في قطعة الشغل.
7. قم بتحريك المنتج على قطعة الشغل بماذاة المجرى الدليلي.

7 العناية والصيانة

تحذير

خطر الإصابة عند تكون البطارية مركبة!

◀ احرص على خلع البطارية دائما قبل جميع أعمال الإصلاح والعناية!

العناية بالمنتج

- احرص على إزالة الاتساخات شديدة الالتصاق مع توخي الحرص.
- في حالة وجودها، قم بتنظيف فتحات التهوية بمرص باستخدام فرشاة جافة وناعمة.
- قم بتنظيف جسم المنتج باستخدام قطعة قماش مبللة بعض الشيء. لا تستخدم مواد عناية محتوية على سيليكون، نظراً لأنها قد تؤدي إلى تلف الأجزاء البلاستيكية.
- استخدم قطعة قماش نظيفة وجافة لتنظيف ملامسات المنتج.

العناية ببطاريات أيونات الليثيوم

- لا تقم مطلقاً باستخدام بطارية ذات فتحات تهوية مسدودة. قم بتنظيف فتحات التهوية بمرص باستخدام فرشاة جافة وناعمة.
- تجنب تعريض البطارية للغبار أو الاتساخات دون داع. لا تقم مطلقاً بتعرض البطارية للرطوبة المرتفعة (على سبيل المثال، غمرها في الماء أو تركها تحت الأمطار).
- في حالة بلل البطارية، تعامل معها كبطارية تالفة. اعزل البطارية في وعاء غير قابل للاشتعال وتوجه إلى مركز خدمة Hilti.
- حافظ على البطارية خالية من الزيت والشحم الخارجي. لا تسمح للغبار أو الاتساخات بالتراكم دون داع على البطارية. قم بتنظيف البطارية باستخدام فرشاة جافة وناعمة أو قطعة قماش نظيفة وجافة. لا تستخدم مواد عناية محتوية على سيليكون، نظراً لأنها قد تؤدي إلى تلف الأجزاء البلاستيكية.
- لا تلمس ملامسات البطارية ولا تقم بإزالة الشحم الموجود من قبل المصنع عن الملامسات.
- قم بتنظيف جسم المنتج باستخدام قطعة قماش مبللة بعض الشيء. لا تستخدم مواد عناية محتوية على سيليكون، نظراً لأنها قد تؤدي إلى تلف الأجزاء البلاستيكية.

الصيانة

- احرص بصورة منتظمة على فحص الأجزاء المرئية من حيث وجود أضرار وافحص عناصر الاستعمال من حيث كفاءتها الوظيفية.
- لا تقم بتشغيل الجهاز في حالة وجود أضرار و/أو اختلالات وظيفية. احرص على إصلاح الجهاز على وجه السرعة لدى خدمة Hilti.



- بعد أعمال العناية والإصلاح قم بتركيب جميع تجهيزات الحماية وافحصها من حيث الأداء الوظيفي السليم.

i للتشغيل الآمن اقتصر على استخدام قطع الغيار الأصلية وخامات الشغل. تجد قطع الغيار وخامات الشغل والملحقات المصرح بها من Hilti للمنتج الخاص بك في متجر **Hilti Store** أو على موقع الإنترنت: www.hilti.group

1.7 تنظيف تجهيزة الحماية

1. قم بتنظيف تجهيزات الحماية بمرص باستخدام فرشاة جافة.
2. أزل الترسبات والنشارة من داخل تجهيزة الحماية باستخدام أداة مناسبة.

2.7 تنظيف قناة النشارة

1. إذا قمت بتركيب مزبل غبار على فوهات الشفط، فاحرص على خلع خرطوم الشفط من فوهة الشفط.
2. قم بتنظيف قناة النشارة باستخدام فرشاة.

8 نقل وتخزين أدوات الشغل العاملة ببطارية والبطاريات

النقل

⚠️ احترس:

التشغيل غير مقصود عند النقل!

- قم بنقل المنتج دائما بدون البطاريات!
- اخلع البطارية/البطاريات.
- لا تقم بنقل البطاريات بكميات كبيرة. ينبغي أثناء النقل حماية البطاريات من الاصطدام العنيف والاهتزازات، وكذلك عزلها عن أية مواد موصلة للكهرباء أو أية بطاريات أخرى، وذلك حتى لا تتلامس مع أقطاب بطاريات أخرى ومن ثم حدوث قفلة كهربائية. **احرص على مراعاة تعليمات النقل المحلية للبطاريات.**
- لا يجوز إرسال البطاريات عن طريق البريد. توجه إلى شركة شحن، إذا كنت ترغب في إرسال بطاريات غير تالفة.
- افحص المنتج والبطاريات من حيث وجود أضرار قبل كل استخدام وقبل وبعد النقل لمسافة طويلة.

التخزين

⚠️ تحذير

أضرار غير مقصودة بسبب البطاريات التالفة أو التي بها تسريب!

- قم بتخزين المنتج دائما بدون البطاريات!
- احرص على تخزين المنتج والبطاريات في مكان بارد وجاف. احرص على مراعاة القيم الحدية لدرجات الحرارة الواردة في المواصفات الفنية.
- لا تحتفظ بالبطاريات على جهاز الشحن. قم دائما بإزالة البطارية من الشاحن بعد انتهاء عملية الشحن.
- لا تقم أبدا بتخزين البطاريات تحت أشعة الشمس أو في مصادر الحرارة أو خلف الزجاج.
- احرص على تخزين المنتج والبطاريات والاحتفاظ به بعيدا عن تناول الأطفال والأشخاص غير المصرح لهم.
- افحص المنتج والبطاريات من حيث وجود أضرار قبل كل استخدام وقبل وبعد التخزين لفترة طويلة.

9 المساعدة في حالات الاختلالات

في حالات حدوث الاختلالات، احرص على مراعاة مبيّن حالة البطارية. انظر الفصل **بيانات بطارية أيونات الليثيوم**.

i في حالة وجود اختلالات غير واردة في هذا الجدول، أو لم تستطع التغلب عليها بنفسك توجه إلى مركز خدمة Hilti.

الخلل	السبب المحتمل	الحل
لا يمكن الضغط على مفتاح التشغيل/الإيقاف أو المفتاح مقفل.	لا يوجد خطأ (وظيفة الأمان).	• اضغط على مانع التشغيل.




الخلل	السبب المحتمل	الحل
عدد اللفات ينخفض بشدة بشكل مفاجئ.	فراغ شحنة البطارية.	اشحن البطارية.
انعدام أو انخفاض قدرة الشفط.	قناة البرادة مسدودة.	قم بتقليل قوة الدفع وإعادة تشغيل المنتج. قم بتنظيف قناة البرادة.  245
لا يبدأ المنتج في العمل تلقائياً بعد تعرض نصل المنشار للإعاقة.	وسيلة الحماية من التحميل الزائد تقوم بعملها.	اضغط مجدداً على مانع التشغيل ومفتاح التشغيل/الإيقاف.
البطارية لا تثبت بصوت طقطقة مسموع.	طرف تثبيت بالبطارية متسخ.	قم بتنظيف طرف التثبيت ثم قم بتركيب البطارية مجدداً.
المنتج يهتز بقوة أكبر من المعتاد.	شفرة المنشار مركبة بشكل خاطئ.	قم بفك شفرة المنشار وقم بتركيبها مجدداً.
لمبات LED بالبطارية لا تشير لشيء	البطارية بها عطل	توجه إلى مركز خدمة Hilti.

10 التكوين

تحذير

- خطر الإصابة من جراء التكوين غير المطابق للتعليمات!** خطر على الصحة من جراء الغازات والسوائل المتسربة.
- لا تقم بإرسال أو توريد بطاريات تالفة!
 - قم بتغطية التوصيلات باستخدام مادة غير موصلة للكهرباء وذلك لتجنب حدوث قفلات كهربائية.
 - تخلص من البطاريات بحيث لا تصل إلى متناول الأطفال.
 - تخلص من البطارية لدى متجر **Hilti Store** أو توجه إلى مركز التخلص من النفايات المختص.

منتجات **Hilti**  مصنوعة بنسبة كبيرة من مواد قابلة لإعادة التدوير. يشترط لإعادة التدوير أن يتم فصل الخامات بشكل سليم فنياً. في كثير من الدول تقوم **Hilti** باستعادة جهازك القديم لإعادة الانتفاع به. توجه بأسئلتك لخدمة عملاء **Hilti** أو لمستشار المبيعات.

- لا تعلق الأدوات الكهربائية، الأجهزة الإلكترونية والبطاريات ضمن القمامة المنزلية! 

11 ضمان الجبة الصانعة

- في حالة وجود أية استفسارات بخصوص شروط الضمان، يرجى التوجه إلى وكيل **Hilti** المحلي التابع لك.

12 مزيد من المعلومات

تجد مزيداً من المعلومات حول الاستعمال والتقنية والبيئة وإعادة التدوير تحت الرابط التالي:
qr.hilti.com/manual?id=2276609&id=2276671
تجد هذا الرابط أيضاً في نهاية المستند ككود QR.



オリジナル取扱説明書

1 取扱説明書について

1.1 本取扱説明書について

- **警告事項！** 本製品をご使用になる前に、同梱の取扱説明書と指示事項、安全上の注意、警告表示、図および製品仕様を読んで、その内容を理解を理解してください。特に、すべての指示事項、安全上の注意、警告表示、図、製品仕様、構成部品と機能に精通しているようにしてください。これを怠ると、感電、火災、および/または重傷事故の危険があります。後日確認できるように、取扱説明書とすべての指示事項、安全上の注意、警告表示を保管しておいてください。
- **HILTI** 製品はプロ仕様で製作されており、その使用、保守、修理を行うのは、認定を受けトレーニングされた人のみに限ります。これらの人は、遭遇し得る危険に関する情報を入手していなければなりません。製品およびアクセサリーの使用法を知らない者による誤使用、あるいは規定外の使用は危険です。
- 製品に同梱されている取扱説明書は、印刷の時点で最新の技術状況を反映しています。オンラインのHilti製品ページで常に最新バージョンをご確認ください。これについては、本取扱説明書のリンク、またはQRコード(📄の記号)に従ってください。
- 他の人が使用する場合には、本製品とともにこの取扱説明書を一緒にお渡しく下さい。

1.2 記号の説明

1.2.1 警告表示

警告表示は製品の取扱いにおける危険について警告するものです。以下の注意喚起語が使用されています：



危険

危険！

- ▶ この表記は、重傷あるいは死亡事故につながる危険性がある場合に注意を促すために使われます。



警告

警告！

- ▶ この表記は、重傷あるいは死亡事故につながる可能性がある場合に注意を促すために使われます。



注意

注意！

- ▶ この表記は、身体の負傷あるいは物財の損傷が発生する可能性がある場合に使われます。

1.2.2 取扱説明書の記号

この取扱説明書では、以下の記号が使用されています：

	取扱説明書に注意してください
	本製品を効率良く取り扱うための注意事項や役に立つ情報
	リサイクル可能な部品の取扱い
	電動工具およびバッテリーを一般ゴミとして廃棄してはなりません
	Hilti Li-Ion バッテリー
	Hilti 充電器

1.2.3 図中の記号

図中では以下の記号が使用されています：

	この数字は本取扱説明書冒頭にある該当図を示しています。
	付番は図中の作業手順の順序に対応していて、本文の作業手順とは一致しない場合があります。



11	概要図には項目番号が付されていて、製品概要セクションの凡例の番号に対応しています。
	この記号は、製品の取扱いの際に特に注意が必要なことを示しています。

1.3 製品により異なる記号

1.3.1 一般的な記号

本製品とともに用いられる記号。

n_0	無負荷回転数
— — —	直流
→	回転方向矢印
RPM	毎分回転数
∅	直径
	ソーブレード
	本製品は、iOS および Android プラットフォームと互換性のある無線データ転送をサポートしています。
	本製品がそれに該当する場合、本製品はこの認証機関により適用される規格に従って米国およびカナダ市場に対して認証されています。
Li-Ion	Li-Ionen バッテリー
	バッテリーは決して打撃工具として使用しないでください。
	バッテリーは落下させないでください。ぶつけたり、あるいはその他の理由で損傷しているバッテリーは使用しないでください。

1.3.2 義務表示

製品には以下の義務表示が使用されています：

	保護メガネを着用してください
--	----------------

2 安全

2.1 電動工具の一般安全注意事項

警告事項 本電動工具に付属のすべての安全上の注意、指示事項、図、および製品仕様をお読みください。以下の指示を守らないと、感電、火災および / または重傷事故の危険があります。

安全上の注意および指示事項が書かれた説明書はすべて大切に保管してください。

安全上の注意で使用する用語「電動工具」とは、お手持ちの電動ツール(電源コード使用)またはバッテリーツール(コードレス)を指します。

作業環境に関する安全

- ▶ 作業場はきれいに保ち、十分に明るくしてください。ちらかった暗い場所での作業は事故の原因となります。
- ▶ 爆発の危険性のある環境(可燃性液体、ガスおよび粉じんのある場所)では電動工具を使用しないでください。電動工具から火花が飛散し、粉じんや揮発性ガスに引火する恐れがあります。
- ▶ 電動工具の使用時、子供や無関係者を作業場へ近づけないでください。作業中に気がそらされると、本体のコントロールを失ってしまう恐れがあります。

電気に関する安全注意事項

- ▶ 電動工具の接続プラグは電源コンセントにきちんと適合しなければなりません。プラグは絶対に変更不要でください。保護接地した電動工具と一緒にアダプタープラグを使用しないでください。オリジナルのプラグと適切なコンセントを使用することにより、感電の危険を小さくすることができます。



- ▶ パイプ、ラジエーター、電子レンジ、冷蔵庫などのアースされた面に体の一部が触れないようにしてください。体が触れると感電の危険が大きくなります。
- ▶ 電動工具を雨や湿気から保護してください。電動工具に水が浸入すると、感電の危険が大きくなります。
- ▶ 電動工具を持ち運んだり、吊り下げたり、コンセントからプラグを抜いたりするときは、必ず本体を持ち、電源コードを持ったり引っ張ったりしないでください。電源コードを火気、オイル、鋭利な刃物、可動部等に触れる場所に置かないでください。電源コードが損傷したり絡まったりしていると、感電の危険が大きくなります。
- ▶ 屋外工事の場合には、必ず屋外専用の延長コードを使用してください。屋外専用の延長コードを使用すると、感電の危険が小さくなります。
- ▶ 湿った場所で電動工具を動作させる必要がある場合は、漏電遮断器を使用してください。漏電遮断器を使用すると、感電の危険が小さくなります。

作業者に関する安全

- ▶ 電動工具を使用の際には、油断せずに十分注意し、常識をもった作業をおこなってください。疲れている場合、薬物、医薬品服用およびアルコール飲用による影響下にある場合には電動工具を使用しないでください。電動工具使用中の一瞬の不注意が重傷の原因となることがあります。
- ▶ 個人用保護具および保護メガネを常に着用してください。負傷の危険を低減するために、電動工具の使用状況に応じた粉じんマスク、耐滑性の安全靴、ヘルメット、耳栓などの個人用保護具を着用してください。
- ▶ 電動工具の意図しない始動を防止して下さい。電動工具を電源および / またはバッテリーに接続する前や本体を持ち上げたり運んだりする前に、本体がオフになっていることを必ず確認してください。オン / オフスイッチが入っている状態で電動工具のスイッチに指を掛けたまま運んだり、電源に接続したりすると、事故の原因となる恐れがあります。
- ▶ 電動工具のスイッチを入れる前に、必ず調節キーやレンチを取り外してください。調節キーやレンチが本体の回転部に装着されたままでは、けがの原因となる恐れがあります。
- ▶ 作業中は不安定な姿勢をとらないでください。足元を安定させ、常にバランスを保つようにしてください。これにより、万一電動工具が異常状況に陥った場合にも、適切な対応が可能となります。
- ▶ 作業に適した作業着を着用してください。だぶだぶの衣服や装身具を着用しないでください。髪、衣服、手袋を本体の可動部に近づけないでください。だぶだぶの衣服、装身具、長い髪が可動部に巻き込まれる恐れがあります。
- ▶ 吸じんシステムの接続が可能な場合には、これらのシステムが適切に接続、使用されていることを確認してください。吸じんシステムを利用することにより、粉じん公害を防げます。
- ▶ 電動工具の取扱いに熟練している場合にも、正しい安全対策を遵守し、電動工具に関する安全規則を無視しないでください。不注意な取扱いは、ほんの一瞬で重傷事故を招くことがあります。

電動工具の使用および取扱い

- ▶ 無理のある使用を避けてください。作業用途に適した電動工具を使用してください。適切な電動工具の使用により、効率よく、スムーズかつ安全な作業が行えます。
- ▶ スイッチが故障している場合には、電動工具を使用しないでください。スイッチで始動および停止操作のできない電動工具は危険ですので、修理が必要です。
- ▶ 本体の設定やアクセサリの交換を行う前や本体を保管する前には電源プラグをコンセントから抜き、および / または脱着式のバッテリーを取り外してください。この安全処置により、電動工具の意図しない始動を防止することができます。
- ▶ 電動工具をご使用にならない場合には、子供の手の届かない場所に保管してください。電動工具に関する知識のない方、本説明書をお読みでない方による本体のご使用は避けてください。未経験者による電動工具の使用は危険です。
- ▶ 電動工具とアクセサリは慎重に手入れしてください。可動部分が引っ掛かりなく正常に作動しているか、電動工具の運転に影響を及ぼす各部分が破損・損傷していないかを確認してください。電動工具をご使用になる前に、損傷部分の修理を依頼してください。事故の多くは保守管理の不十分な電動工具の使用が原因となっています。
- ▶ 先端工具は鋭利で汚れのない状態を保ってください。お手入れのゆきとどいた先端工具を使用すると、作業が簡単かつ、スムーズになります。
- ▶ 電動工具、アクセサリ、先端工具などは、それらの説明書に記載されている指示に従って使用してください。その際は、作業環境および用途についてもご注意ください。指定された用途以外に電動工具を使用すると危険な状況をまねく恐れがあります。
- ▶ グリップとグリップ面は乾燥した清潔な状態に保ち、オイルやグリスの付着がないようにしてください。グリップやグリップ面が滑りやすい状態になっていると、予期していない状況が発生した際に電動工具を安全に使用 / 制御できません。

バッテリー工具の使用および取扱い

- ▶ バッテリーを充電する場合は、必ずメーカー推奨の充電器を使用してください。特定タイプのバッテリー専用の充電器を他のバッテリーに使用すると、火災の恐れがあります。



- ▶ 電動工具には、必ず指定されたバッテリーを使用してください。指定以外のバッテリーを使用すると、負傷や火災の恐れがあります。
- ▶ 使用されていないバッテリーの近くに、事務用クリップ、硬貨、キー、釘、ネジ、その他の小さな金属物を置かないでください。電気接点の短絡が起こることがあります。バッテリーの電気接点間が短絡すると、火傷や火災が発生する危険があります。
- ▶ 正しく使用しないと、液漏れが発生することがあります。その場合、漏れた液には触れないでください。もしも触れてしまった場合は、水で洗い流してください。バッテリー液が眼に入った場合は、水で洗い流してから医師の診察を受けてください。流出したバッテリー液により、皮膚が刺激を受けたり火傷を負う恐れがあります。
- ▶ 損傷したあるいは変更が加えられたバッテリーは使用しないでください。損傷したあるいは変更が加えられたバッテリーは、予測不可能な挙動により爆発あるいは負傷事故を発生させる危険があります。
- ▶ バッテリーは火気あるいは高温に曝さないでください。火気あるいは 130 °C (265 °F) を超える高温は、爆発の原因となることがあります。
- ▶ 充電に関するすべての指示事項に従い、バッテリーあるいはバッテリー工具は、決して取扱説明書に記載された温度範囲外で充電しないでください。正しくない充電あるいは許容温度範囲外での充電により、バッテリーが破壊され火災が発生する危険があります。

サービス

- ▶ 電動工具の修理は必ず認定サービスセンターにお申し付けください。また、必ず純正部品を使用してください。これにより電動工具の安全性が確実に維持されます。
- ▶ 損傷したバッテリーは決して手入れや保守を行わないでください。バッテリーの保守作業はすべて、メーカーあるいは権限のあるお客様サービスセンターが行うものとします。

2.2 すべてのソーに対する安全上の注意

切断作業

- ▶ **▲ 危険：切断領域やソーブレード付近に手を差し出さないでください。**片方の手で補助グリップまたはモーターハウジングを保持してください。両手でソーを保持すれば、ソーブレードで手を負傷することはありません。
- ▶ 作業材料の下側をつかましないでください。保護カバーは、作業材料の下側に出るソーブレードから手を保護することはできません。
- ▶ 切り込み深さを作業材料の厚さに合わせてください。作業材料の下に出る部分を歯の全高より小さくしてください。
- ▶ 切断する作業材料を手や足で支えないでください。作業材料は安定した支持具に固定してください。身体の一部が触れたり、ソーブレードが噛んだり、制御不能に陥ったりする危険を最小限に抑えるため、作業材料を正しく固定することは重要です。
- ▶ 隠れた電線に先端工具が接触する可能性のある作業を行う場合は、必ず電動工具の絶縁されたグリップのみを持つようにしてください。通電しているケーブルと接触すると、電動工具の金属部分にも電圧がかかり感電の危険があります。
- ▶ 縦切断の際には必ずストッパーまたはストレートエッジガイドを使用してください。これにより切断精度を高め、ソーブレードが噛む可能性を低減することができます。
- ▶ 常に適切な取り付け穴(星形または丸形など)の付いた正しいサイズのソーブレードを使用してください。ソーの取り付け部に合っていないソーブレードを使用すると、回転が不安定になったり、制御不能になったりする恐れがあります。
- ▶ ソーブレードワッシャー / スクリューが損傷していたり、適切でない場合、決してこれらを使用しないでください。ソーブレードワッシャー / スクリューは、最適な出力と作動安全性を確保するためにご使用のソー専用に製造されたものです。

反動 - 原因とそれに対する安全上の注意

- 反動は、ソーブレードが引っかかったり噛んだりしたときや、ソーブレードが正しく設置されていないときに起こる突然の反応動作で、制御不能になったソーが作業材料から浮き上がって作業者に向かって跳ね返ることがあります。
- ソーブレードが閉じたカットギャップで引っかかったり噛んだりすると、ソーブレードがブロックされ、モーター力でソーが作業者の方向に跳ね返ります。
- ソーブレードが切断時にずれたり正しく配置されていないと、後部のソーブレードエッジの歯が作業材料の表面に引っかかり、ソーブレードがカットギャップから外れて作業者の方に跳ね返ることがあります。

ソーの取り扱いが正しくないと、反動が生じます。反動は、以下に示すような適切な予防措置を取ることで防止することができます。

- ▶ ソーは両手でしっかりと支え、反力を受け止めることができるように腕を構えます。ソーブレードは必ず側部をつかみ、決してソーブレードが身体のすぐ前にくることのないようにしてください。反動があ



る場合、サーキュラーソーは後方に跳ね返ることがありますが、適切な予防措置を講じていれば反力を抑えることができます。

- ▶ ソーブレードが噛んだ場合あるいは作業を中断する場合は、ソーをオフにしてソーブレードが停止するまでソーを静かに作業材料内に保持してください。ソーブレードが動いている間は、ソーを作業材料から離したり後方へ引いたりしないでください、そうしないと反動が発生する危険があります。ソーブレードが噛んでしまったことの原因を確認し、それを取り除いてください。
- ▶ 作業材料に挿入されているソーを再び作動させる場合は、ソーブレードをカットギャップの中央に配置し、歯が作業材料に引っかかっていないかチェックします。ソーブレードが噛んでいると、切断を再開したときにソーブレードが作業材料から飛び出たり、反動が発生する可能性があります。
- ▶ 噛んだソーブレードによる反動の危険を最小限に抑えるために、大型プレートは支持してください。大型プレートはそれ自身の重みでたわむことがあります。プレートは、カットギャップ付近と縁部の両側で支える必要があります。
- ▶ 切れ味の悪くなったソーブレードや損傷したソーブレードは使用しないでください。ソーブレードの歯の切れ味が悪い場合やソーブレードが正しく合っていない場合、カットギャップが狭くなりすぎて、摩擦が大きくなったり、ソーブレードの噛みや反動が起こります。
- ▶ 切断の前に、切り込み深さ調整および切り込み角度の調整を締め付けてください。切断中に調整が変化すると、ソーブレードが噛んだり反動が発生する可能性があります。
- ▶ 既存の壁やその他の見通しのきかない領域で切断を行う場合は特に注意してください。切断時に、押し込まれたソーブレードが隠れている対象物にブロックされ、跳ね返る可能性があります。

保護カバーの機能

- ▶ ご使用前には毎回、保護カバーが正しく閉じられているか点検してください。保護カバーがスムーズに動かずすぐに閉じない場合は、ソーを使用しないでください。保護カバーを固定しないでください、保護カバーが固定されているとソーブレードが保護されなくなります。ソーをうっかり床に落とした場合、保護カバーが変形する可能性があります。保護カバーが自由に動き、すべての切り込み角度と切り込み深さでソーブレードや他の部分と接触しないことを確認してください。
- ▶ 保護カバー用スプリングの状態と正しく作動するかどうかを点検してください。保護カバーとスプリングが正常に作動しない場合は、ご使用前にソーの整備を依頼してください。損傷した部品、固着した付着物、切り屑の堆積は下部保護カバーの作動を鈍らせます。
- ▶ 直角ではない「プランジカット」を行う場合は、ソーのベースプレートが側方にずれないようにしてください。側方にずれると、ソーブレードが噛んで反動が生じる危険があります。
- ▶ ワークベンチまたは床にソーを置く場合は、必ず保護カバーでソーブレードを保護してください。保護されていないソーブレードが遅延作動すると、ソーが切断方向と反対に動いてその方向にある物体を切断します。この場合、ソーの遅延作動時間に注意してください。

2.3 その他の安全上の注意

作業者に関する安全

- ▶ 本電動工具あるいはアクセサリーには、加工や改造を加えないでください。
- ▶ 本電動工具は必ず付属の安全装置と共に使用してください。
- ▶ 本電動工具を集じん装置なしで使用する場合、粉じんが発生する作業では必ず防じんマスクを着用してください。
- ▶ 本電動工具は、常に両手でグリップを握んでしっかりと保持してください。
- ▶ 耳栓を着用してください。騒音により、聴覚に悪影響が出る恐れがあります。
- ▶ 休憩を取って緊張をほぐし、指を動かして血行を良くするように心がけてください。
- ▶ 本電動工具は、体の弱い人が指示を受けずに使用するには向いていません。
- ▶ 本電動工具は、作業場に運んで作業位置にセットしてからスイッチを入れるようにしてください。
- ▶ 本電動工具に問題が発生した場合、先端工具またはアクセサリーを交換する場合、および本電動工具を保管 / 搬送する際は、バッテリーを取り外してください。
- ▶ 本電動工具を使用して頭より高い位置で作業しないでください。
- ▶ ソーブレードを横に押し付けて本電動工具を制動しないでください。
- ▶ バッテリーを取り付ける前に、ソーがオフになっていること、およびスイッチオンロックがロックされていることを確認してください。このようにして、電動工具の意図しない始動による負傷を防止してください。
- ▶ 本電動工具の作動中は、テンションフランジやテンションボルトに触れないでください。
- ▶ 本電動工具は、ソーブレードが完全に停止してから置くようにしてください。
- ▶ 先端工具は電動工具が冷めてから交換してください。
- ▶ ソーブレードが回転しているときには、決してスピンドルロックを操作しないでください。
- ▶ 電動工具を人に向けてください。



- ▶ アクセサリーまたはバッテリーの交換の際、搬送あるいは本電動工具を保管する際には、必ずスイッチオンロックをロックする必要があります。
- ▶ 必ず母材および作業材料の性質に適したソーブレードを使用してください。
- ▶ この電動工具には、いかなる種類の研磨ディスクも取り付けないでください。
- ▶ 電動工具は、必ずスイッチをオンにした状態で作業材料に向けてガイドしてください。
- ▶ フィード力をソーブレードおよび加工する母材に合わせて調整してください。これにより、ソーブレードがブロックして場合により反動が発生することを回避します。
- ▶ 歯の先端が過熱しないようにしてください。
- ▶ 先端工具の許容回転数は、電動工具に記載された最高回転数よりも高くなければなりません。許容回転数よりも速く回転するアクセサリーは、破損あるいは外れて飛び回る恐れがあります。
- ▶ 粉じんが非常に多い環境では作業を行わないでください。
- ▶ 研磨、紙やすり研磨、切断および穿孔の際に発生する粉じんは、化学物質を含んでいる場合があります。これには、鉛、あるいは鉛ベースの塗料、レンガ、コンクリートおよびその他の壁用資材、自然石およびその他の珪酸塩含有製品、樫、樺などの特定の木材、および化学処理の施された木材、アスベストあるいはアスベストが含まれる母材、などが考えられます。作業対象の資材の危険等級により、作業者および周囲の人員の曝露を確認してください。曝露を安全なレベルに維持するために、粉じん吸引システムの使用、あるいは適切な防じんマスクの着用などの必要な処置を取ってください。曝露の低減のための一般的な処置としては、以下のようなものがあります：
 - ▶ 十分に換気された領域での作業
 - ▶ 粉じんと長時間の接触の回避
 - ▶ 粉じんを顔や体から遠ざける
 - ▶ 保護服を着用し、水と石鹸で曝露領域を洗浄する。
- ▶ ご自身および作業領域内のすべての人は、常に実施する作業の要求事項に適した防じんマスクを着用してください。
- ▶ 電動工具の使用中は、ご自身および作業領域内のすべての人は、適切な保護メガネ、保護ヘルメット、耳栓、保護手袋および安全靴を着用してください。
- ▶ 作業開始前に、作業場で発生する粉じんの危険有害度を調査してください。公的に承認された保護等級および地域の粉じんに関する規定を満たした工業用集じん機を使用してください。
- ▶ 各国の労働安全衛生法に従ってください。
- ▶ クランプあるいはその他の適切な方法により、作業材料を固定して安定した位置に保持してください。作業材料を手あるいは身体で保持することは不安定で、コントロールを失う危険があります。第三者に依頼して作業材料を作業位置に保持することはしないでください。
- ▶ 未知の母材には切断を行わないでください。切断ラインの上面と下面から障害物を取り除いてください。ソーブレードが何らかの物体に当たると、電動工具に対して反力が作用することがあります。
- ▶ 落下する先端工具および / またはアクセサリーによる負傷の危険。作業を開始する前に、取り付けたアクセサリーが確実に固定されていることを確認してください。
- ▶ 吸じん装置と組み合わせる際には、防じんフードやサクシジョンホースに触れないようにしてください。多量の粉じんが発生する母材では、静電気ショックの危険が高まる可能性があります。
- ▶ 切断ラインにネイル、ネジ、その他の部品などの障害物がないことを確認してください。
- ▶ 必ず EN 847-1 規格に準拠したHiltiの推奨するソーブレードを使用してください。
- ▶ プラスチックの切断の際は、作業材料が熱くなりすぎて溶けることのないように注意してください。

電気に関する安全注意事項

- ▶ 作業を開始する前に、作業場に埋設された電線、ガス管や水道管がないかを探査機などで調査してください。例えば、作業中に誤って先端工具が電線に触れると、電動工具の金属部分とケーブルが通電する可能性があります。これにより、感電の危険が高まります。

2.4 バッテリーの慎重な取扱いおよび使用

- ▶ **Li-Ion** バッテリーの安全な取扱いと使用のために、以下の安全上の注意を遵守してください。これを守らないと、皮膚の炎症、重篤な腐食負傷、化学火傷、火災および / あるいは爆発の原因となることがあります。
- ▶ バッテリーは、必ず技術的に問題のない状態で使用してください。
- ▶ 損傷を防止して健康にとってきわめて危険なバッテリー液の漏出を防ぐため、バッテリーは慎重に取り扱ってください！
- ▶ バッテリーは決して改造したり手を加えたりしないでください！
- ▶ バッテリーを分解したり、挟んだり、80°C (176°F) 以上に加熱したり、燃やしたりしないでください。
- ▶ ぶつかけたり、あるいはその他の損傷を受けたバッテリーは、使用したり充電したりしないでください。バッテリーは、損傷の痕跡がないか定期的に点検してください。
- ▶ リサイクルあるいは修理されたバッテリーは、決して使用しないでください。



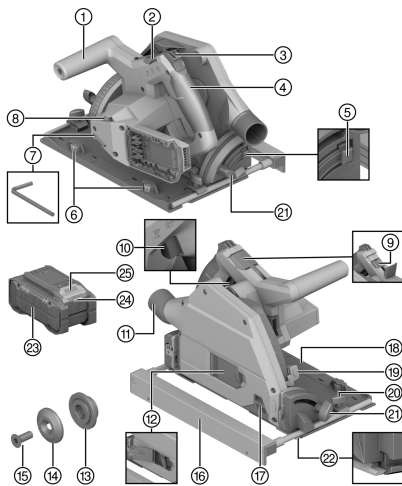
- ▶ バッテリーまたはバッテリー式電動工具は、決して打撃工具として使用しないでください。
- ▶ バッテリーは、決して直射日光、高温、火花の発生、裸火に曝さないでください。これを守らないと、爆発の原因となることがあります。
- ▶ バッテリーの電極に、指、工具、装身具あるいはその他の導電性のある物体で触れないようにしてください。これを守らないと、バッテリーの損傷、物財の損傷および負傷の原因となることがあります。
- ▶ バッテリーを雨、湿気、液体から保護してください。バッテリー内に湿気が入り込むと、短絡、感電、火傷、火災あるいは爆発の原因となることがあります。
- ▶ 必ずご使用のバッテリータイプ用に指定された充電器と電動工具を使用してください。これについては、充電器や電動工具の取扱説明書の記述を確認してください。
- ▶ バッテリーは、爆発の可能性がある場所で使用あるいは保管しないでください。
- ▶ バッテリーが掴むことのできないほどに熱くなっている場合は、故障している可能性があります。バッテリーを、目視確認が可能で可燃物のない場所に、可燃性の資材から十分な距離を置いて置いてください。バッテリーを冷ます。1時間の経過後にも掴むことのできないほどに熱い場合は、そのバッテリーは故障している可能性があります。Hilti サービスセンターにご連絡いただくか、あるいは「Hilti の Li-Ion バッテリーの安全と使用についての注意事項」をお読みください。



Li-Ion バッテリーの搬送、保管および使用に適用される特別の規則を遵守してください。 262
本取扱説明書巻末の QR コードをスキャンして、Hilti の Li-Ion バッテリーの安全と使用についての注意事項をお読みください。

3 製品の説明

3.1 製品概要 1



- ① 補助グリップ
- ② ソーブレード交換用ロックレバー
- ③ スイッチオンロック
- ④ メインハンドル
- ⑤ ロック解除ボタン切り込み角度 -1° および 47°
- ⑥ 遊び補正つまみ
(ガイドレールとベースプレートのガイド溝の間の遊び)
- ⑦ 六角レンチ
- ⑧ ソーブレード回転数調整つまみ
- ⑨ スピンドルロック
- ⑩ ON/OFF スイッチ
- ⑪ 切り屑排出 / 接続ピース
- ⑫ ソーブレード交換用取り付けフラップ
- ⑬ サポートフランジ
- ⑭ テンションフランジ
- ⑮ テンションボルト
- ⑯ 平行ストッパー
- ⑰ スライド式防じんウィンドウ
- ⑱ ベースプレート
- ⑲ 切り込み深さ設定
- ⑳ 平行ストッパークランピングスクリュー
- ㉑ 切り込み角度調整克蘭ピングスクリュー
- ㉒ アダプティブ切断インジケータ
- ㉓ バッテリー
- ㉔ バッテリーステータス表示
- ㉕ バッテリーロック解除ボタン

3.2 正しい使用

本書で説明している製品は、充電式ブランジサーキュラーソーです。本製品は、以下の母材の切断およびブランジカット専用設計されています：



- 木材および木製の材料
- プラスチック
- 石膏ボード
- ファイバーセメントボード
- 非鉄金属

本製品は、内装工事における切断作業およびその他の作業向けに設計されています。

本ハンドサーキュラーソーにはオプションの吸じん装置用の接続ピースが装備されています。この接続ピースは一般的な吸じんホース用に設計されています。吸じん装置ホースをソーと接続するために、適切なアダプターが必要になる場合があります。

必ず製品仕様の記載事項(直径、全負荷回転数、厚さ、材質など)に対応した、本製品用に許可されたソーブレードを使用してください。高合金高速度鋼(HSS)製の研磨およびカッティングディスク、ならびにソーブレードは許可されていません。

ベースプレートとの接触面の大きさが十分な、凹凸のない作業材料のみを切断してください。

- 本製品には、必ずHiltiのB 22シリーズのLi-Ionバッテリーを使用してください。Hiltiは、本製品に対してこの取扱説明書の巻末の表に記載されているバッテリーを使用されることをお勧めします。
- これらのバッテリーには、必ずこの取扱説明書の巻末に記載されているシリーズのHiltiの充電器を使用してください。

3.3 本体標準セット構成

充電式サーキュラーソー、ソーブレード、取扱説明書

その他のご使用の製品用に許可されたシステム製品については、弊社営業担当またはHilti Storeにお問い合わせいただくか、あるいはwww.hilti.groupでご確認ください。

3.4 Li-Ion バッテリーのインジケータ

Hilti Nuron Li-Ion バッテリーは、充電状態、エラーメッセージ、およびバッテリーの状態を表示することができます。

3.4.1 充電状態およびエラーメッセージの表示

警告

負傷の危険 バッテリーの落下!

- ▶ バッテリーを装着した状態でリリースボタンを押した後は、バッテリーを確実に正しく使用する製品に再ロックするようにしてください。

次の表示を確認するには、バッテリーのリリースボタンを短く押してください。

充電状態および不具合は、接続されている製品がオンになっている間常時表示されます。

状態	意味
4 個の LED (4) が常時緑色で点灯	充電状態: 100 %...71 %
3 個の LED (3) が常時緑色で点灯	充電状態: 70 %...51 %
2 個の LED (2) が常時緑色で点灯	充電状態: 50 %...26 %
1 個の LED (1) が常時緑色で点灯	充電状態: 25 %...10 %
1 個の LED (1) がゆっくり緑色で点滅	充電状態: < 10 %
1 個の LED (1) が高速で緑色で点滅	Li-Ion バッテリーは完全に放電しています。バッテリーを充電してください。 バッテリーの充電の後にも LED が高速で点滅する場合は、Hilti サービスセンターにご連絡ください。
1 個の LED (1) が高速で黄色で点滅	Li-Ion バッテリーまたは接続されている製品が過負荷、過熱、低温の状態にあるか、あるいはその他の不具合が発生しています。 製品とバッテリーを推奨動作温度にし、使用時に製品が過負荷にならないようにしてください。 メッセージが引き続き出力される場合は、Hilti サービスセンターにご連絡ください。



状態	意味
1 個の LED (1) が黄色で点灯	Li-Ion バッテリーとそれと接続されている製品とに互換性がありません。Hilti サービスセンターにご連絡ください。
1 個の LED (1) が高速で赤色で点滅	Li-Ion バッテリーはロックされていて、使用できません。Hilti サービスセンターにご連絡ください。

3.4.2 バッテリーの状態に関する表示

バッテリーの状態を確認するには、リリースボタンを 3 秒を超えて押し続けてください。システムは、落下、異物の貫入、外部の熱源による損傷などの誤った使用に起因するバッテリーの機能異常については検知しません。

状態	意味
すべての LED がチェイサーライトとして点灯し、続いて 1 個の LED (1) が常時緑色で点灯。	バッテリーは引き続き使用することができます。
すべての LED がチェイサーライトとして点灯し、続いて 1 個の LED (1) が速く黄色で点滅。	バッテリーの状態確認を終了することができませんでした。手順を繰り返すか、Hilti サービスセンターにご連絡ください。
すべての LED がチェイサーライトとして点灯し、続いて 1 個の LED (1) が常時赤色で点灯。	接続されている製品を引き続き使用できる場合、バッテリーの残り容量は 50% 未満です。 接続されている製品を引き続き使用することができない場合、バッテリーは寿命に達していて交換の必要があります。Hilti サービスセンターにご連絡ください。

4 製品仕様

4.1 製品特性

	SC 6WP-22
製品世代	01
重量	3.3 kg (EPTA-Procedure 01 準拠、バッテリーを含まない)
重量(平行ストッパー)	0.45 kg
寸法(長さ × 幅 × 高さ)	360 mm × 200 mm × 237 mm
メインブレード厚	1 mm ... 1.5 mm
最大切り込み深さ	57 mm
無負荷回転数	6,000/min
定格電圧	21.6 V

4.2 ソーブレードの種類と用途

ソーブレードの種類	用途に関する注意事項
汎用ソーブレード 細切りソーブレード	木材および木材ベースの材料
ファイバーセメントソーブレード	ファイバーセメントまたはファイバーセメントベースの材料

4.3 保管および動作温度

保管温度	-20 °C ... 70 °C
作動時の周囲温度	-17 °C ... 60 °C



4.4 バッテリー

バッテリー作動電圧	21.6 V
バッテリー重量	本取扱説明書の巻末を参照してください
作動時の周囲温度	-17 °C ... 60 °C
保管温度	-20 °C ... 40 °C
充電開始時のバッテリー温度	-10 °C ... 45 °C

4.5 騒音および振動値について

本説明書に記載されているサウンドプレッシャー値および振動値は、規格に準拠した測定方法に基づいて測定したものです。電動工具を比較するのにご使用いただけます。曝露値の暫定的な予測にも適用しています。記載されているデータは、電動工具の主要な使用方法に対する値です。電動工具を他の用途で使用したり、異なる先端工具を取り付けて使用したり、手入れや保守が十分でないまま使用した場合には、データが異なることがあります。このような相違により、作業時間全体で曝露値が著しく高くなる可能性があります。曝露値を正確に予測するためには、電動工具のスイッチをオフにしている時間や、電動工具が作動していても実際には使用していない時間も考慮しなければなりません。このような相違により、作業時間全体で曝露値が著しく低くなる可能性があります。

作業者を騒音および / または振動による作用から保護するために、他にも安全対策を立ててください(例 : 電動工具および先端工具の手入れや保守、手を冷やさないようにする、作業手順の編成)。

この点について適用される **EN 62841** 規格のバージョンについての詳細情報は、適合宣言書の画像 316で確認してください。

騒音について

サウンドパワーレベル (L_{WA})	106 dB(A)
サウンドパワーレベルの不確実性 (K_{WA})	3 dB(A)
サウンドプレッシャーレベル (L_{pA})	98 dB(A)
サウンドプレッシャーレベルの不確実性 (K_{pA})	3 dB(A)

合計振動値

クリップボードの切断 ($a_{h, w}$)	B 22-55	0.9 m/s ²
アルミ板の切断 ($a_{h, m}$)	B 22-55	1.7 m/s ²
不確実性 (K)		1.5 m/s ²

5 作業準備

警告

負傷の危険 意図しない始動!

- ▶ バッテリーを装着する前に、バッテリーを装着する製品のスイッチがオフになっていることを確認してください。
- ▶ 本体の設定、またはアクセサリの交換の前にバッテリーを取り外してください。

本書および製品に記載されている安全上の注意と警告表示に注意してください。

5.1 バッテリーを充電する

1. 充電の前に充電器の取扱説明書をお読みください。
2. バッテリーと充電器の電気接点は汚れがなく、乾燥していることを確認してください。
3. バッテリーは許可された充電器で充電してください。 253



5.2 バッテリーを装着する

警告

負傷の危険 短絡あるいはバッテリーの落下！

- ▶ バッテリーを装着する前に、バッテリーの電気接点と製品の電気接点に異物がないことを確認してください。
- ▶ バッテリーが正しくロックされていることを常に確認してください。

1. はじめてお使いになる前にバッテリーをフル充電してください。
2. ロックの音が聞こえるまでバッテリーを製品へとスライドさせます。
3. バッテリーがしっかりと装着されていることを確認してください。

5.3 バッテリーを取り外す

1. バッテリーのリリースボタンを押します。
2. 製品からバッテリーを抜き取ります。

5.4 転倒防止装置

警告

負傷の危険 先端工具および / あるいはアクセサリーの落下！

- ▶ 必ずご使用の製品用に推奨されているHiltiの工具保持ロープを使用してください。
- ▶ 使用の前に毎回、工具保持ロープの固定ポイントに損傷がないか点検してください。



ご使用の国において適用される高所での作業に関する規則に注意してください。

本製品の落下防止には、必ずHiltiの工具保持ロープ#2261971を使用してください。

- ▶ 工具保持ロープは、図に示したように本製品のラグに固定してください。しっかりと固定されていることを確認してください。
- ▶ 支持構造物にスナップフックを固定します。スナップフックがしっかりと固定されていることを確認してください。



Hilti 工具保持ロープの取扱説明書の記載に注意してください。

5.5 ブランジュニットを取り付け位置にする



ブランジュニットには取り付け位置があり、そこでは取り付け窓からテンションボルトに手が届くようになっていきます。ロックレバーにより取り付け位置を調整することができます。ロックレバーを後ろに倒すと(基本位置)、ブランジュニットが元に戻ります。メインハンドルで本製品を保持し、適切な方法でブランジュニットを開始位置にガイドします。

1. 本製品を、最大の切り込み深さで切り込むことができる位置にします(テーブルの端など)。
2. ソーブレード取り付けフラップを開きます。
3. 切り込み深さ調整インジケーターを最大値(1)にします。
4. ロックレバーを上げます(取り付け位置) (2)。
5. スイッチオンロック(3)を押したままにして、ブランジュニットを取り付け位置に取り付けます。
 - ▶ ブランジュニットが取り付け位置にロックされる音が聞こえます。
 - ▶ 取り付け窓において、テンションボルトが中央位置にあることを目視確認できます。

5.6 ソーブレードを取り外す

警告

ソーブレード、テンションボルトおよびテンションフランジでの火傷および切断の危険 火傷および切創事故の原因となることがあります。

- ▶ 先端工具の交換時には、保護手袋を着用してください。



1. フランジユニットを取り付け位置にします。 257
2. スピンドルロックを押し、押しした状態を維持します(1)。
3. アレンキーを使用してテンションボルトを緩めます(2)。



回転方向矢印をガイドとして使用してください：テンションボルトをソーブレードの回転方向に緩めます。

4. テンションボルトとテンションフランジを取り外します。
5. ソーブレードを保護カバーから下方へと取り出します。



必要に応じて清掃のためにサポートフランジを取り外すことができます。

5.7 ソーブレードを取り付ける

取り付けるソーブレードが技術的な要求を満たし、よく切れることを確認してください。鋭いソーブレードは正常な切断の前提条件です。

ご使用前にその都度、切断する母材に適したソーブレードを選択してください。

1. フランジユニットを取り付け位置にします。 257
2. サポートフランジとテンションフランジを清掃します(1)。
3. サポートフランジを正しい方向で駆動スピンドルに取り付けます。
4. 新しいソーブレードを取り付けます(2)。
 - ▶ ソーブレードの回転方向矢印(3)と、保護カバーの回転方向矢印(4)に注意してください。両方の回転方向矢印の方向が一致していなければなりません。
5. テンションフランジを正しい方向に取り付けます。
6. テンションボルトをねじ込みます。
7. スピンドルロックを押し、押しした状態を維持します(5)。
8. アレンレンチでテンションボルトを締め付けます(6)。



回転方向矢印をガイドとして使用してください：ソーブレードの回転方向と逆方向にテンションボルトを締め付けます。

9. ソーブレードが正しい位置にあるか点検してください。
10. メインハンドルで本製品を保持します。
11. ロックレバーを基本位置にし、フランジユニットを基本位置に戻します(7)。
12. ソーブレード取り付けフラップを閉じます。

5.8 スライド式防じんウィンドウ

切り屑を最適に吸引排出するには、常に防じんウィンドウをできるだけ作業材料に近づけてスライドさせてください。

5.9 切り込み深さを調整する



切り込み深さの調整値は常に、切断する材料の厚さより約 5...10 mm 大きくしてください。

1. 切り込み深さ設定のロック解除を押し続けます(1)。
2. スライダーを必要な切り込み深さまでスライドさせます(2)。
 - ▶ 切り込み深さインジケーターには、ガイドレールを使用しての切断用(3)、およびガイドレールを使用しないでの切断用(4)の個別のインジケーターがあります。.
3. 切り込み深さ設定のロック解除から指を離します。

5.10 斜め切断の切り込み角度を調整する



締め付け時に補助グリップやソーに圧力をかけないようにして、前後の角度が異なる設定にならないようにしてください。角度設定が異なると、まっすぐに切断できないようになります。

1. 切り込み角度調整の2本のクランピングスクリューを緩めます(1)。



2. 本製品を希望の切り込み角度へと回してください。
 - ▶ -1° または 45° を超える角度(最大 47° まで) に調整したい場合は、ロック解除ボタン(2) を押し続けます。
3. 切り込み角度調整の2本のクランピングスクリューのうちの片方を締め付けます。
4. 反対側の切り込み角度調整クランピングスクリューを締め付けます。

5.11 ソーブレード回転数を設定する

常に、使用しているソーブレードと作業対象の母材に適した回転数に設定してください。適切な回転数で作業することにより、鋸歯の過熱を回避し、ソーブレードの寿命を延ばすことができます。

- ▶ 回転数選択つまみを適切な位置に回します。

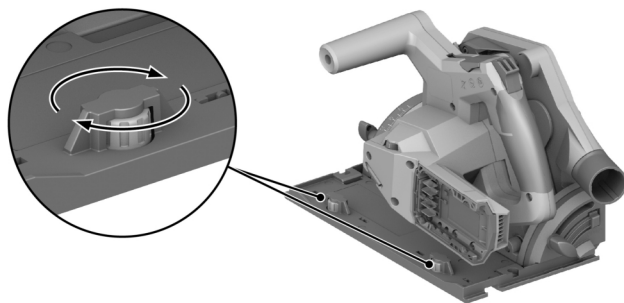
5.12 平行ストッパーを取り付ける

i 本製品への取り付け方法に応じて、平行ストッパーは次の2つの機能のいずれかを満たすことができます：

- L字型のエッジを下に向けた場合：
エッジに沿って一貫した切断を行うための平行ストッパー。
- L字型のエッジを上に向けた場合：
ベースプレートを延長して、ガイドレールなしで切断する際のガイドを安定させます。

1. 両方のクランピングスクリューを緩めます。
2. 平行ストッパーをベースプレートの取り付けマウントにスライドさせます。
3. 平行ストッパーを切断に必要な間隔に調整します。
 - ▶ 両側の間隔が等しいことを確認してください。
4. 両方のクランピングスクリューを締め付けます。

5.13 本製品をガイドレールにセットする



1. ベースプレートの溝に合わせて本製品をガイドリブにセットします。
2. ガイドレールとベースプレートの間の遊びを確認してください。
3. 偏心ネジ(1)で遊びを調整します。
 - ▶ 遊びを小さくするには、偏心ネジを時計方向に回します。
 - ▶ 遊びを大きくするには、偏心ネジを反時計方向に回します。
4. 遊びは、スライド動作に影響を与えない範囲で、できるだけ小さく調整してください。

6 ご使用方法

本書および製品に記載されている安全上の注意と警告表示に注意してください。

6.1 スイッチをオンにする / オフにする

スイッチオン

1. スイッチオンロックを上押し続けます。



2. ON/OFF スイッチを押し続けます。
3. スイッチオンロックから指を離します。



ON/OFF スイッチを押し続けるか、ブランジユニットがブランジ位置にある限り、スイッチオンロックはロック解除位置に留まります。ブランジユニットが基本位置にあり、ON/OFF スイッチを放すと、スイッチオンロックは自動的にロック位置にジャンプします。

スイッチオフ

4. ブランジユニットを基本位置に戻します。
5. ON/OFF スイッチから指を離します。

6.2 粉じんおよび切り屑の処理

- 吸じん装置を使用しての切断：
サクションホースを吸引ピースに接続し、吸じん装置の取扱説明書の注意事項に従ってください。
- ダストバッグを使用しての切断：
アダプター付きダストバッグを吸じん装置の吸引ピースに差し込みます。



本製品は、粉じん受け対策なしで使用することもできます。切り屑の排出が妨げられることのないように注意してください。

6.3 ポインターに基づいて切断する



ベースプレートとの接触面の大きさが十分な、凹凸のない作業材料のみを切断してください。

1. 作業材料が動かないように固定し、切断経路(墨出し)をマークします。
2. 切り込み深さを調整します。 258
3. アダプティブ切断インジケーターを使用して、本製品を墨出しラインに配置します。
4. 製品をオンにします。 259
 - ▶ 本製品のブランジ動作は、ON/OFF スイッチがロック解除されている場合にのみ可能です。
5. ブランジユニットを作業材料に突き当たるまで切り込ませませす(1)。
6. 本製品を適切な作業速度で作業材料全体にわたってガイドします。
7. ソーブレードを作動させながら、ブランジユニットを回転させて基本位置に戻します(2)。



こうすることで、ソーブレードが作業材料に噛んでしまうのを防ぎます。

8. ブランジユニットが基本位置になったら、直ちに製品の電源を切ります。 260

6.4 ブランジカットを行う

1. 切り込み深さを調整します。 258
2. 本製品を作業材料に乗せます。
3. 製品をオンにします。 259
 - ▶ 本製品のブランジ動作は、ON/OFF スイッチがロック解除されている場合にのみ可能です。
4. 本製品を作業材料のストップ位置まで切り込ませませす。
5. 本製品を適切な作業速度で作業材料全体にわたってガイドします。
6. 本製品を作業材料外へと出します。
7. ブランジユニットが基本位置になったら、直ちに製品の電源を切ります。 260

6.5 斜め切断を行う(アングルカット)



本製品は、設定された切り込み角度に自動的に適応するアダプティブ切断インジケーターを装備しています。アダプティブ切断インジケーターは、ガイドレールなしでの切断にのみ有効です。ガイドレールを使用して切断する場合、設計上、切断ラインは設定した切り込み角度に依存しません。

1. 斜め切断の切り込み角度を調整します。 258
2. アダプティブ切断インジケーターを使用して、本製品を墨出しラインに配置します。



3. 製品をオンにします。 259
4. ブラंジュユニットを作業材料に切り込ませます。
5. 作業材料全体にわたり、本製品をガイドレールに沿ってガイドします。

6.6 ガイドレールを使用しての切断

1. ガイドレールを2個のバイスで固定します。
2. ベースプレートの溝を、ガイドレールのガイドリブに合わせます。
3. 斜め切断の切り込み角度を調整します。 258
4. 切り込み深さを調整します。 258
5. 製品をオンにします。 259
6. ブラंジュユニットを作業材料に切り込ませます。
7. 作業材料全体にわたり、本製品をガイドレールに沿ってガイドします。

7 手入れと保守

警告

バッテリーを装着した状態における負傷の危険！

- ▶ 手入れや保守作業の前に必ずバッテリーを取り外してください！

製品の手入れ

- 付着した汚れを慎重に除去してください。
- 汚れが付着している場合は、通気溝を乾いた柔らかいブラシを使用して慎重に掃除してください。
- 必ず少し湿した布でハウジングを拭いてください。シリコンを含んだ磨き粉はプラスチック部品をいためる可能性があるため使用しないでください。
- 本製品の電気接点を清掃するには、清潔な乾いた布を使用してください。

Li-Ion バッテリーの手入れ

- 通気溝が詰まっているバッテリーは決して使用しないでください。通気溝を乾いた柔らかいブラシを使用して慎重に掃除してください。
- バッテリーを不必要に粉じんや汚れに曝さないようにしてください。バッテリーは、決して高い湿度に曝さないでください(例：水中に沈める、あるいは雨中に放置する)。
- 水分が浸入したバッテリーは、損傷したものととして取り扱ってください。そのようなバッテリーは不燃性の容器に隔離し、Hilti サービスセンターにご連絡ください。
- バッテリーには、本製品に使用しているのではないオイルやグリスが付着しないようにしてください。バッテリーに不必要な粉じんあるいは汚れが堆積しないようにしてください。バッテリーは、乾いた柔らかいブラシまたは乾いた布で清掃してください。シリコンを含んだ磨き粉はプラスチック部品をいためる可能性があるため使用しないでください。
バッテリーの電気接点に手を触れないでください、また、工場出荷時に塗布されているグリスを電気接点からぬぐい取らないでください。
- 必ず少し湿した布でハウジングを拭いてください。シリコンを含んだ磨き粉はプラスチック部品をいためる可能性があるため使用しないでください。

保守

- 目視確認可能なすべての部品については損傷の有無を、操作エレメントについては問題なく機能することを定期的に点検してください。
- 損傷および/または機能に問題のある場合は、本製品を使用しないでください。速やかにHilti サービスセンターに本製品の修理を依頼してください。
- 手入れおよび保守作業の後は、すべての安全機構を取り付けて、それらが問題なく作動するか点検してください。



安全な作動のために、必ず純正のスベアパーツと消耗品を使用してください。本製品向けにHilti が承認したスベアパーツ、消耗品およびアクセサリは、弊社営業担当またはHilti Store お問い合わせいただくか、あるいはwww.hilti.group

7.1 安全機構の清掃

1. 安全機構を乾いたブラシを使用して注意深く掃除してください。
2. 安全機構内部の塵埃の堆積や切り屑は適切な工具を使用して除去してください。



7.2 切り屑ダクトを清掃する

1. 吸引ピースに吸じん装置を取り付けている場合は、吸引ピースからサクシオンホースを取り外してください。
2. 切り屑ダクトをブラシで清掃します。

8 バッテリー式工具およびバッテリーの搬送および保管

搬送

注意

搬送時の予期しない始動！

- ▶ お使いの製品は、必ずバッテリーを装着していない状態で搬送してください！
- ▶ バッテリーを取り外してください。
- ▶ バッテリーは決して梱包しない状態で搬送しないでください。搬送中のバッテリーは、他のバッテリー電極と接触して短絡の原因となることを防ぐために、過大な衝撃や振動から保護し、あらゆる導電性の物体あるいは他のバッテリーから隔離する必要があります。バッテリーの搬送に関する各国(地域)の規則を遵守してください。
- ▶ バッテリーは郵送しないでください。損傷していないバッテリーを送付する場合は、運送業者を手配してください。
- ▶ 使用前にその都度、また長距離の搬送の前には、製品とバッテリーに損傷がないか点検してください。

保管上の注意事項

警告

故障したあるいは液漏れしたバッテリーによる予期しない損傷！

- ▶ お使いの製品は、必ずバッテリーを装着していない状態で保管してください！
- ▶ 製品とバッテリーは涼しく乾燥した場所に保管してください。製品仕様に記載されている温度の限界値に注意してください。
- ▶ バッテリーは充電器内で保管しないでください。充電の後は、必ずバッテリーを充電器から取り出してください。
- ▶ バッテリーを太陽の直射下、熱源の上、窓際等で保管しないでください。
- ▶ 製品およびバッテリーは、子供や権限のない人が手を触れることのないようにして保管してください。
- ▶ 使用前にその都度、また長期にわたる保管の前には、製品とバッテリーに損傷がないか点検してください。

9 故障時のヒント

いかなる不具合の発生時にも、バッテリーのステータス表示を確認してください。Li-Ion バッテリーのインジケータの章を参照してください。

この表に記載されていない、あるいはご自身で解消することのできない故障が発生した場合には、弊社営業担当またはHilti サービスセンターにご連絡ください。

故障	考えられる原因	解決策
ON/OFF スイッチが押せない、あるいは動かない。	故障ではありません(安全機能)。	▶ スイッチオンロックを押してください。
回転数が突然落ちる。	バッテリーが放電している。 フィード力が過大。	▶ バッテリーを充電します。 ▶ フィード力を低減し、製品を再びオンにします。
吸引しない / 吸引能力の低下	切り屑ダクトの詰まり。	▶ 切り屑ダクトを清掃します。 ▶ 262
ソーブレードがブロックされた後に製品が自動的に作動しない。	過負荷保護機構(スピードレギュレーター)が作動している。	▶ スイッチオンロックとON/OFF スイッチを改めて押します。



故障	考えられる原因	解決策
バッテリーが「カチッ」と音がするまでロックされない。	バッテリーのロックノッチが汚れている。	▶ ロックノッチを清掃してバッテリーを改めてロックしてください。
製品が異常に振動する。	ソーブレードの取り付けが正しくない。	▶ ソーブレードを取り外し、改めて取り付けてください。
バッテリーの LED に何も表示されない	バッテリーの故障	▶ Hilti サービスセンターにご連絡ください。

10 廃棄

警告

誤った廃棄による負傷の危険！ 漏出するガスあるいはバッテリー液により健康を損なう危険があります。

- ▶ 損傷したバッテリーを送付しないでください！
- ▶ 短絡を防止するために接続部を非導電性のもので覆ってください。
- ▶ バッテリーは子供が手を触れることのないように廃棄してください。
- ▶ バッテリーの廃棄は、最寄りの **Hilti Store** あるいは適切な廃棄物処理業者に依頼してください。

Hilti 製品の大部分の部品はリサイクル可能です。リサイクル前にそれぞれの部品は分別して回収されなければなりません。多くの国で **Hilti** は、古い工具をリサイクルのために回収しています。詳細については弊社営業担当または **Hilti** 代理店・販売店にお尋ねください。



- ▶ 電動工具、電子機器およびバッテリーを一般ゴミとして廃棄してはなりません！

11 メーカー保証

- ▶ 保証条件に関するご質問は、最寄りの **Hilti** 代理店・販売店までお問い合わせください。

12 その他の情報

ご使用方法、技術、環境保護およびリサイクルに関するその他の情報については、qr.hilti.com/manual?id=2276609&id=2276671 のリンクをご確認ください。

このリンクは、本書の巻末にも QR コードとして記載されています。

오리지널 사용 설명서

1 사용 설명서 관련 정보

1.1 본 사용 설명서에 관하여

- **경고!** 제품을 사용하기 전에, 제품과 함께 제공되는 사용 설명서와 설명서에 제시된 지침, 안전상의 주의사항 및 경고사항, 그림 및 사양 등을 잘 읽고 이해해야 합니다. 특히 모든 지침, 안전상의 주의사항 및 경고사항, 그림, 사양과 구성 요소 및 기능을 숙지해야 합니다. 유의하지 않을 경우, 감전, 화재 발생 및/또는 중상을 입을 위험이 있습니다. 추후 사용 시에도 활용할 수 있도록 관련 지침, 안전상의 주의사항 및 경고사항이 포함된 사용 설명서를 잘 보관하십시오.
- **HILTI** 제품은 전문가용으로 설계되어 있으며, 해당 교육을 이수한 공인된 작업자를 통해서만 조작, 유지보수 및 수리 작업을 진행할 수 있습니다. 이 기술자는 발생할 수 있는 위험에 대해 특별 교육을 받은 상태여야 합니다. 교육을 받지 않은 사람이 제품을 부적절하게 취급하거나 규정에 맞지 않게 사용할 경우에는 기기와 그 보조기구에 의해 부상을 당할 위험이 있습니다.
- 함께 제공되는 사용 설명서는 인쇄 시점의 최신 기술 버전을 반영하여 작성됩니다. 최신 버전은 항상 **Hilti** 제품 사이트의 온라인 버전을 참조하십시오. 온라인 버전을 참고하고자 할 경우, 본 사용 설명서에 제시된 링크 혹은 기호로 표시된 QR 코드를 클릭하십시오.
- 제품을 다른 사람에게 양도할 때는 본 사용 설명서도 반드시 함께 넘겨주십시오.

수입업체(상호)명: 힐티코리아㈜

A/S: 080-220-2000



1.2 기호 설명

1.2.1 경고사항

본 제품을 다루면서 발생할 수 있는 위험에 대한 경고사항. 다음과 같은 시그널 워드가 사용됩니다.

위험

위험!

▶ 이 기호는 직접적인 위험을 표시합니다. 만약 지키지 않으면 심각한 부상을 당하거나 사망할 수도 있습니다.

경고

경고!

▶ 이 기호는 잠재적인 위험을 표시합니다. 만약 지키지 않으면 심각한 부상을 당하거나 사망할 수도 있습니다.

주의

주의!

▶ 이 기호는 잠재적인 위험 상황을 표시합니다. 만약 지키지 않으면 부상 또는 물적 손실을 입을 수 있습니다.

1.2.2 사용 설명서에 사용된 기호

본 사용 설명서에서 사용되는 기호는 다음과 같습니다.

	사용 설명서에 유의하십시오
	적용 지침 및 기타 유용한 사용정보
	재사용이 가능한 자재 취급방법
	전기 기기 및 배터리를 일반 가정의 쓰레기처럼 폐기해서는 안 됨
	Hilti 리튬 이온 배터리
	Hilti 충전기

1.2.3 그림에 사용된 기호

그림에 다음과 같은 기호가 사용됩니다.

	이 숫자는 본 사용 설명서 첫 부분에 있는 해당 그림을 나타냅니다.
	매겨진 숫자는 작업 단계의 순서를 나타내며, 텍스트에 매겨진 작업 단계와 차이가 있을 수 있습니다.
	항목 번호는 개요 그림에서 사용되며, 제품 개요 단락에 나와 있는 기호 설명 번호를 나타냅니다.
	이 표시는 제품을 다룰 때, 특별히 주의할 사항을 나타냅니다.

1.3 제품 관련 기호

1.3.1 일반 기호

제품과 연관되어 사용되는 기호입니다.

n_0	무부하 회전 속도
	직류
	회전 방향 화살표
RPM	분당 회전수



	직경
	톱날
	본 제품은 무선 데이터 전송을 지원하며, iOS 및 Android 플랫폼과 호환 가능합니다.
	제품에 적용되어 있는 경우, 통용되는 규정에 따라 미국과 캐나다 시장의 해당 인증 기관으로부터 제품이 인증되었음을 의미합니다.
Li-Ion	리튬이온 배터리
	배터리는 절대 타격 공구로 사용해서는 안 됩니다.
	배터리를 떨어뜨리지 마십시오. 타격을 받은 적이 있거나 다른 손상이 있는 배터리는 사용하지 마십시오.

1.3.2 준수 표시

다음과 같은 지시 표시가 제품에 사용됩니다.

	보안경 착용
--	--------

2 안전

2.1 전동 공구에 대한 일반적인 안전상의 주의사항

⚠ 경고 해당 전동 공구와 함께 동봉된 모든 안전상의 주의 사항, 지침, 그림 및 기술자료를 숙지하십시오. 다음과 같은 지침 내용을 준수하지 않으면 전기 충격, 화재가 발생하거나 그리고/또는 중상을 입을 수 있습니다. 앞으로 모든 안전상의 주의사항과 지침을 보관하십시오.

안전상의 주의사항에서 사용되는 "전동 공구"라는 개념은 전원에 연결하여 사용하는 전동 공구(전원 케이블 있음) 또는 배터리를 사용하는 전동 공구(전원 케이블 없음)를 의미합니다.

작업장 안전수칙

- ▶ 작업장을 항상 깨끗이 하고 조명이 잘 들도록 하십시오. 어수선한 작업환경 또는 어두운 작업장은 사고를 초래할 수 있습니다.
- ▶ 인화성 액체, 가스 또는 먼지가 있어 폭발 위험이 있는 환경에서는 전동 공구를 사용하지 마십시오. 전동 공구는 먼지나 증기를 점화시킬 수 있는 스파크를 일으킵니다.
- ▶ 전동 공구를 사용할 때, 어린이들이나 다른 사람들이 작업장에 접근하지 못하도록 하십시오. 다른 사람의 방해로 인해 기기를 통제하기 어렵습니다.

전기에 관한 안전수칙

- ▶ 전동 공구의 전원 플러그가 소켓에 잘 끼워져야 합니다. 플러그를 절대 변형시켜서는 안됩니다. 접지된 전동 공구와 함께 아답타 플러그를 사용하지 마십시오. 변형되지 않은 플러그와 적합한 소켓을 사용하면 감전의 위험을 줄일 수 있습니다.
- ▶ 파이프, 히터, 전기레인지, 냉장고와 같은 접지 표면에 신체 접촉을 피하십시오. 신체에 닿을 경우 감전될 위험이 높습니다.
- ▶ 전동 공구가 비에 맞지 않도록 하고 습한 장소에 두지 마십시오. 전동 공구에 물이 들어가면 감전될 위험이 높습니다.
- ▶ 전원 케이블만 잡고 전동 공구를 운반하거나 걸어 놓아서는 안되며, 소켓에서 전원 플러그를 빼낼 때 케이블만 잡은 채로 빼내지 마십시오. 전원 케이블이 열, 오일, 날카로운 모서리 또는 부품의 가동 부위에 접촉하지 않도록 주의하십시오. 손상되거나 서로 꼬인 전원 케이블은 감전 위험을 높입니다.
- ▶ 실외에서 전동 공구를 이용하여 작업할 때, 실외용으로 승인된 연장 케이블만 사용하십시오. 실외용 연장 케이블을 사용하면 감전의 위험을 줄여줍니다.
- ▶ 전동 공구를 습한 환경에서 사용하는 것을 피할 수 없을 경우, 누전 차단기를 사용하십시오. 누전 차단기를 사용하면 감전 위험을 줄일 수 있습니다.

사용자 안전수칙

- ▶ 신중하게 작업하십시오. 작업에 정신을 집중하고 전동 공구를 사용할 때 경솔하게 행동하지 마십시오. 피곤하거나 항정신성 약물, 술 또는 약을 복용시에는 전동 공구를 사용하지 마십시오. 전동 공구 사용 시 이에 유의하지 않을 경우 심각한 부상을 초래할 수 있습니다.



- ▶ 안전 장비를 갖추고 보안을 착용하십시오. 전동 공구의 종류와 사용에 따라, 먼지 보호 마스크, 미끄럼 방지용 안전 신발, 안전모 또는 귀마개 등과 같은 안전한 보호장비를 착용하면 부상의 위험을 줄일 수 있습니다.
- ▶ 실수로 기기가 작동하지 않도록 주의하십시오. 전동 공구를 전원 그리고/또는 배터리에 연결하기 전, 보관 또는 운반 전에 전동 공구가 스위치 OFF 상태인지 확인하십시오. 전동 공구 운반 시 스위치에 손가락을 대거나 스위치가 켜진 상태에서 전원을 연결하면 사고를 유발할 수 있습니다.
- ▶ 전동 공구의 스위치를 켜기 전, 조정공구 또는 렌치를 제거하십시오. 기기 회전부에 남아있는 공구나 렌치로 인해 부상을 입을 수 있습니다.
- ▶ 작업 시 비정상적인 자세는 피하십시오. 안전한 작업자세가 되도록 하고, 항상 균형을 유지하십시오. 이렇게 하여 예기치 않은 상황에서도 전동 공구를 잘 제어할 수 있습니다.
- ▶ 적합한 작업복을 착용하십시오. 헐렁한 복장이나 장식품을 착용하지 마십시오. 작동하는 기기 가동 부위에 머리, 옷 그리고 장갑이 가까이 닿지 않도록 주의하십시오. 헐렁한 복장, 장식품 혹은 긴 머리가 가동 부위에 밀려 들어갈 수 있습니다.
- ▶ 먼지 제거장치나 수거장치를 설치할 수 있는 기기의 경우, 이 장치들이 연결되어 있는지 그리고 제대로 작동되는지를 확인하십시오. 먼지 포집장치 사용은 먼지로 인한 위험을 줄여줄 수 있습니다.
- ▶ 이 전동 공구를 여러번 사용했다고 해서 안전하다고 안심하지 말고 전동 공구에 해당되는 안전 규칙을 무시하지 마십시오. 부주의하게 행할 경우 아주 짧은 순간에 중상을 입을 수 있습니다.

전동 공구의 취급과 사용

- ▶ 기기에 과부하가 걸리지 않도록 하십시오. 귀하의 작업에 적합한 전동 공구를 사용하십시오. 적합한 전동 공구를 사용하면, 지정된 성능 한도 내에서 더 효율적으로 안전하게 작업할 수 있습니다.
- ▶ 스위치가 고장난 전동 공구는 사용하지 마십시오. 스위치가 작동되지 않는 전동 공구는 위험하므로, 반드시 수리를 해야 합니다.
- ▶ 기기 세팅을 실행, 액세서리를 교환 또는 기기를 보관하기 전에 컨택터를 전원소켓에서 그리고/또는 탈착식 배터리를 기기에서 빼놓으십시오. 이러한 조치는 실수로 전동 공구가 작동하지 않도록 방지합니다.
- ▶ 사용하지 않는 전동 공구는 어린이들의 손이 닿지 않는 곳에 보관하십시오. 기기 사용에 익숙치 않거나 또는 이 안전수칙을 읽지 않은 사람이 기기를 사용해서는 안 됩니다. 비숙련자가 전동 공구를 사용하면 위험합니다.
- ▶ 전동 공구 및 액세서리를 유의해서 관리하십시오. 기기의 가동 부위가 완벽하게 작동하는지, 끼어 있지 않은지, 혹은 부품이 손상되거나 파손되어 있어 전동 공구의 기능을 저하시키지 않는지 점검하십시오. 기기 사용 전 손상된 부품을 수리하도록 하십시오. 제대로 관리되지 않은 전동 공구는 많은 사고를 유발합니다.
- ▶ 절단기기는 날카롭고 깨끗하게 관리하십시오. 날카로운 절단면이 있고 잘 관리된 절단기기는 끼이는 경우가 드물고 조절하기도 쉽습니다.
- ▶ 본 지침에 따라 전동 공구, 액세서리, 공구 비트 등을 사용하십시오. 이 때 작업 조건과 실시하려는 작업 내용을 고려하십시오. 원래 사용 분야가 아닌 다른 작업에 전동 공구를 사용할 경우, 위험한 상황을 초래할 수 있습니다.
- ▶ 손잡이 및 손잡이 표면은 건조하고 깨끗하게, 그리고 오일과 그리스가 묻어있지 않도록 해야 합니다. 미끄러운 손잡이 및 손잡이 표면은 예상치 못한 상황에서 전동 공구를 안전하게 조작하고 제어할 수 없습니다.

배터리 공구의 취급과 사용

- ▶ 제조회사가 권장한 충전기에만 배터리를 충전시키십시오. 특정한 형식의 배터리를 사용하도록 규정되어 있는 충전기에 다른 배터리를 사용할 경우 화재 발생의 위험이 있습니다.
- ▶ 전동 공구에 적합하게 규정된 배터리만 사용하십시오. 다른 배터리를 사용하면 부상을 입을 수 있고, 화재가 발생할 수 있습니다.
- ▶ 배터리를 사용하지 않을 경우 클립, 동전, 키, 못, 나사 또는 다른 소형 금속 물질로부터 사용하지 않는 배터리를 멀리 떨어뜨려 놓아주십시오. 배터리 간 단락으로 인한 연소 또는 화재를 초래할 수 있습니다.
- ▶ 잘못 사용할 경우, 배터리로부터 전해액이 흘러나올 수 있습니다. 전해액을 직접 만지지 마십시오. 실수로 만졌을 경우, 물로 씻으십시오. 전해액이 눈에 들어갔으면, 의사와 상담하십시오. 배터리로부터 흘러나온 전해액은 피부를 손상시킬 수 있으며, 화재를 발생시킬 수 있습니다.
- ▶ 손상된 배터리 또는 변경된 배터리를 사용하지 마십시오. 손상된 배터리 또는 변경된 배터리는 예상치 못한 상황 및 화재, 폭발 또는 부상 위험을 초래할 수 있습니다.
- ▶ 배터리에서 불꽃이 발생하거나 또는 배터리가 너무 높은 온도에 노출되지 않게 하십시오. 불꽃 또는 온도가 130 °C (265 °F)를 넘으면 폭발을 일으킬 수 있습니다.
- ▶ 충전에 관한 모든 지침을 준수하여 배터리 또는 배터리 공구를 절대 사용 설명서에 제시된 범위를 벗어난 온도에서 충전하지 마십시오. 잘못 충전하거나 허용된 범위를 벗어난 온도에서 충전하면 배터리가 파손되어 화재 발생 위험이 높아질 수 있습니다.

서비스

- ▶ 전동 공구는 반드시 자격을 갖춘 전문 기술자에 의해 그리고 순정 대체부품만 이용하여 수리해야 합니다. 이렇게 하여 기기의 안전성을 계속해서 유지할 수 있습니다.



- ▶ 손상된 배터리를 절대 수리하지 마십시오. 배터리 수리는 제조회사 또는 권한을 위임받은 고객 서비스 센터에서만 이루어져야 합니다.

2.2 모든 톱에 대한 안전상의 주의사항

톱 작업 방식

- ▶ 위험: 절단 부위와 톱날 근처에 손을 대지 마십시오. 다른 한 손은 보조 손잡이나 모터 하우징을 잡으십시오. 양쪽 손으로 톱을 잡고 있으면, 톱날로 인해 손을 다치지 않습니다.
- ▶ 공작물 아래쪽을 잡지 마십시오. 안전반이 있어도 공작물 아래쪽에서 톱날로 인해 부상을 입을 수 있기 때문입니다.
- ▶ 절단 깊이를 공작물의 두께에 맞게 조절하십시오. 공작물 아래에서 톱날의 톱니가 한 개 이상 보여서는 안 됩니다.
- ▶ 절단하려는 공작물을 절대로 손에 들고 있거나 다리 위에 고정하지 마십시오. 공작물을 고정된 마운트에 안전하게 두십시오. 톱날이 몸에 닿거나 또는 톱날이 걸려서 통제력을 잃는 것을 방지하려면 공작물을 제대로 고정하는 것이 중요합니다.
- ▶ 작업 수행 시, 기기 비트가 보이지 않는 전기 케이블에 닿을 수 있으므로, 전동공구의 절연 손잡이 면만 잡으십시오. 전류가 흐르는 전선과 접촉하게 될 경우 전동공구의 금속 부위를 통해 감전이 될 수도 있습니다.
- ▶ 길이방향 절단 작업을 할 때 항상 립 펜스나 직선형의 모서리 가이드를 사용하십시오. 이렇게 하면 보다 정확한 절단이 가능하며 톱날이 걸릴 위험이 줄어듭니다.
- ▶ 항상 적합한 마운팅 구멍(예: 다이아몬드형 또는 원형)과 정확한 크기의 톱날을 사용하십시오. 톱날 조립 부품에 맞지 않는 톱날은 제대로 회전하지 않으며 제어가 어렵습니다.
- ▶ 절대로 손상되었거나 맞지 않는 톱날, 와셔나 볼트를 사용하지 마십시오. 톱날 디스크와 볼트는 귀하의 톱에 맞도록 최상의 성능과 작업 안전을 위해 특별히 설계된 것입니다.

반동 현상의 원인과 안전상의 주의사항

- 반동력이란 고착되었거나 잘못 고정된 톱날로 인한 갑작스러운 반응으로, 이때 톱이 제어되지 않고 공작물에서 빠져나와 작업자가 있는 방향으로 움직이게 됩니다.
- 톱날이 톱에 걸리거나 끼이게 되면, 톱날이 끼어 움직이지 않게 되고 엔지니어링으로 인해 톱은 작업자가 있는 방향으로 돌아가게 됩니다.
- 톱날이 작업 중에 끼이거나 잘못 고정되면 뒤쪽 톱날 모서리의 기어이가 재료의 표면에 걸릴 수 있습니다. 이때 톱날은 톱에서 빠져나와 작업자가 있는 방향으로 돌아가게 됩니다.

반동은 톱을 제대로 사용하지 못할 경우 생기는 결과입니다. 다음에 설명한 대로 적당한 예방 조치를 취하면 방지할 수 있습니다.

- ▶ 톱을 양손으로 확실하게 고정시키고 팔을 기기의 반동력을 억제할 수 있는 위치에 놓으십시오. 항상 톱날 옆으로 서서 작업하고 절대로 몸과 일직선이 되게 하지 마십시오. 반동이 생길 경우, 원형 톱이 뒤로 튕길 수 있으나 작업자가 적절한 조치를 취하면 반동력을 제어할 수 있습니다.
- ▶ 톱날이 끼거나 작업을 중단하려면, 톱을 끄고 톱날이 정지상태 이를 때까지 움직이지 말고 자재에 대고 있으십시오. 톱날이 움직이고 있을 때 톱을 공작물에서 빼내거나 뒤로 당기려고 하지 마십시오. 그렇지 않으면 반동력이 발생할 수 있습니다. 톱날이 끼어서 움직이지 않는 원인을 확인하고 제거하십시오.
- ▶ 공작물에 끼여져 있는 톱을 재시동하려면 톱날을 절단면 가운데에 맞추고 톱니가 공작물에 물려 있지 않은지 확인하십시오. 톱날이 물려 있으면 재시동할 경우 톱날이 공작물 밖으로 나오면서 반동을 일으킬 수 있습니다.
- ▶ 톱날 걸림 또는 반동이 발생하는 위험을 최소화하기 위해 대형 패널로 받쳐주십시오. 대형 패널은 자체의 중량으로 인해 휘어질 수 있습니다. 절단면 근처와 모서리에 양쪽으로 패널을 받쳐주어야 합니다.
- ▶ 무디거나 손상된 톱날을 사용하지 마십시오. 무디거나 제대로 세팅되지 않은 톱날은 너무 좁은 톱 자국으로 인해 과도한 마찰, 톱날의 물림 그리고 반동을 유발합니다.
- ▶ 톱 작업 전에 절단 깊이 및 절단 각도를 확실히 설정하십시오. 작업 중에 설정이 달라지면, 톱날이 끼이거나 반동이 발생할 수 있습니다.
- ▶ 벽이 있거나 혹은 다른 보이지 않는 영역에서 절단 작업시에는 특히 조심하십시오. 삽입된 톱날은 절단 작업 시 보이지 않는 물체를 차단하거나 반동을 유발할 수 있습니다.

안전반의 기능

- ▶ 매번 사용하기 전에 항상 안전반이 제대로 닫히는지 확인하십시오. 안전반이 자유로이 움직이지 않고 빨리 닫히지 않는 톱은 사용하지 마십시오. 절대로 안전반을 고정하거나 묶지 마십시오. 톱날을 보호하지 못할 수도 있습니다. 실수로 톱이 바닥에 떨어지면 안전반이 휘어질 수 있습니다. 안전반이 자유롭게 움직이고 모든 절단각 및 절단 깊이에서 톱 또는 다른 부품과 접촉하지 않은지 확인하십시오.
- ▶ 안전반용 스프링의 상태와 기능을 확인하십시오. 안전반과 스프링에 하자가 있으면 톱을 사용하기 전에 수리하십시오. 손상된 부품, 끈적이는 침전물 혹은 축적된 톱톱으로 인해 안전반의 기능에 장애가 생깁니다.
- ▶ 직각으로 진행되지 않은 "플런징 절단" 작업 시 톱의 베이스 플레이트가 측면으로 밀리지 않도록 하십시오. 측면으로 밀리면 톱날이 끼어서 반동을 일으킬 수 있습니다.



- ▶ 톱을 작업대나 바닥에 놓기 전에 안전반이 톱날을 덮고 있는지 항상 확인하십시오. 보호 장치 없이 톱날이 계속 돌아가면 톱이 절단 방향 반대쪽으로 움직이며 그 경로에 있는 것을 모두 절단합니다. 그러므로 스위치를 끄고 나서 톱날이 완전히 멈출 때까지의 시간을 고려하십시오.

2.3 그 외의 안전상의 주의사항

사용자 안전수칙

- ▶ 전동 공구 또는 액세서리를 조작하거나 개조하지 마십시오.
- ▶ 전동 공구는 항상 해당 안전장치와 함께 작동시키십시오.
- ▶ 먼지를 발생시키는 작업을 할 때, 먼지 포집장치 없이 전동 공구를 작동시킬 경우에는 항상 보호 마스크를 착용해야 합니다.
- ▶ 항상 양손으로 전동 공구의 지정된 손잡이를 꼭 잡으십시오.
- ▶ 귀마개를 착용하십시오. 극심한 소음은 청각 상실을 유발할 수 있습니다.
- ▶ 손가락의 혈액순환이 잘 되도록 휴식시간 동안 손가락 운동을 하십시오.
- ▶ 본 전동 공구는 교육을 받지 않은 약자가 사용할 수 없습니다.
- ▶ 작업장에서 전동 공구를 작업 위치로 가져온 후에만 제품의 전원을 켜십시오.
- ▶ 전동 공구에 문제가 발생하거나, 공구 비트 또는 액세서리를 교환하는 경우 및 전동 공구를 보관하거나 운반하는 경우에는 배터리를 제거하십시오.
- ▶ 작업 중 전동 공구를 머리 위로 올리지 마십시오.
- ▶ 톱날을 측면에서 눌러서 전동 공구의 작동을 멈추게 하지 마십시오.
- ▶ 배터리를 장착하기 전에, 톱의 전원이 꺼져 있는지 그리고 스위치ON로크가 맞물려 잠겨 있는지 확인하십시오. 이를 통해 전동 공구가 돌발적으로 작동하여 부상을 입는 일이 없도록 하십시오.
- ▶ 전동 공구가 작동 중일 때 고정 플랜지와 고정 볼트를 만지지 마십시오.
- ▶ 전동 공구를 내려놓기 전에, 톱날이 완전히 정지할 때까지 기다리십시오.
- ▶ 공구 비트를 교환하기 전에, 전동 공구의 열이 식을 때까지 기다리십시오.
- ▶ 톱날이 회전 중일 때는 절대로 스펀들 잠금장치를 작동하지 마십시오.
- ▶ 전동 공구를 사람이 있는 방향으로 놓지 마십시오.
- ▶ 액세서리 부품 또는 배터리를 교환하거나 운반할 때 또는 전동 공구를 보관하고자 할 때는 항상 스위치ON로크가 맞물려 잠겨 있어야 합니다.
- ▶ 항상 소재 및 공작물의 특성에 맞는 톱날을 사용하십시오.
- ▶ 이 전동 공구에는 어떤 종류의 그라인딩 디스크도 장착하지 마십시오.
- ▶ 전동 공구는 전원이 켜진 상태에서에만 공작물 쪽으로 가져가십시오.
- ▶ 톱날 및 가공할 자재에 맞춰 이송력을 조정하십시오. 이를 통해 톱날이 끼이거나 경우에 따라 반동이 발생하지 않도록 하십시오.
- ▶ 톱니의 뾰족한 끝이 과열되지 않게 주의하십시오.
- ▶ 공구 비트에 허용되는 회전속도는 최소 전동 공구에 제시된 최고 회전속도보다 높아야 합니다. 허용범위보다 빠르게 회전하는 액세서리는 파손되거나 분리될 수 있습니다.
- ▶ 먼지가 심하게 뒤덮인 환경에서는 작업하지 마십시오.
- ▶ 샌딩, 연마, 절단 및 드릴링 작업 시 발생하는 먼지에는 위험한 화학물질이 함유되어 있을 수 있습니다. 예를 들어 납 또는 납 계열의 페인트, 벽돌, 콘크리트 및 기타 조적 벽돌 제품, 자연석 및 기타 실리콘 함유 제품, 참나무, 너도밤나무 및 화학 처리된 목재 등과 같은 특정 목재, 석면 또는 석면이 함유된 자재 등이 있을 수 있습니다. 작업하는 자재의 위험 등급을 따라 조작자 및 주변에 있는 사람들의 노출 정도를 결정하십시오. 안전한 수준에서 노출이 이루어질 수 있도록 예를 들어 먼지 포집장치 사용 또는 적합한 보호 마스크 착용 등 필요한 조치를 취하십시오. 노출을 줄일 수 있는 일반적인 조치:
 - ▶ 환기가 잘 되는 곳에서 작업하기,
 - ▶ 장시간 먼지 접촉 피하기,
 - ▶ 얼굴 및 신체의 먼지를 다른 곳으로 털어내기,
 - ▶ 보호 복장 착용 및 노출된 영역을 비누와 물로 세척하기.
- ▶ 사용자와 작업 영역에 있는 다른 모든 사람들은 항상 작업 요건에 맞는 보호 마스크를 착용하십시오.
- ▶ 전동 공구를 사용할 때는 적합한 보안경, 안전모, 귀마개, 보호 장갑 및 안전화를 착용하십시오.
- ▶ 작업을 시작하기 전, 작업 시 발생하는 먼지의 위험 등급을 알아보십시오. 해당 국가의 먼지 방지 규정에 적합하며, 공식적으로 허용된 보호 등급의 산업용 진공 청소기만을 사용하십시오.
- ▶ 국가별 작업 안전 유의사항에 주의하십시오.
- ▶ 공작물을 고정시켜 안정적인 위치를 유지하려면 클램프 또는 다른 실용적인 도구를 사용하십시오. 손이나 신체로 공작물을 지지하는 것은 불안정하고 제어하기 어려울 수 있습니다. 제3자가 그 위치에서 공작물을 잡는 일이 없도록 하십시오.
- ▶ 잘 모르는 모재는 절단하지 말고, 절단 경로 위/아래에 장애물이 없게 하십시오. 톱날이 장애물에 부딪히게 될 경우 전동 공구에 반동이 일어날 수 있습니다.



- ▶ 떨어지는 공구 및/또는 액세서리로 인한 부상 위험. 작업 시작 전, 조립된 액세서리가 확실하게 고정되었는지 점검하십시오.
- ▶ 먼지 제거기를 적용해 톱 작업을 할 때는 먼지 커버나 흡입 호스를 만지지 마십시오. 먼지 발생량이 많은 소재의 경우 정전기 감전 위험이 높아질 수 있습니다.
- ▶ 절단 통로에 못, 나사 또는 다른 금속 부품 등과 같은 다른 장애물이 있는지 확인하십시오.
- ▶ Hilti에서 권장하는 EN 847-1 규격에 준하는 톱날만 사용하십시오.
- ▶ 플라스틱 톱 작업 시 공작물이 너무 뜨거워져 녹지 않도록 유의하십시오.

전기에 관한 안전수칙

- ▶ 작업을 시작하기 전에, 예를 들면 탐지기를 이용하여 작업장에서 가려져 있는 전기 배선, 가스 파이프 및 하수도관이 있는지를 점검하십시오. 예를 들어 실수로 전기 배선을 손상시킨 경우, 전동 공구 외부의 금속 부분에 전기가 흐를 수 있습니다. 이로 인해 감전의 위험이 높아집니다.

2.4 배터리의 올바른 사용방법과 취급방법

- ▶ 리튬 이온 배터리를 보다 안전하게 취급하고 사용할 수 있도록 다음과 같은 안전상의 주의 사항에 유의하십시오. 유의하지 않을 경우 피부 자극, 심각한 부식성 부상, 화학 화상, 화재 및/또는 폭발을 유발할 수 있습니다.
- ▶ 기술적 하자가 없는 상태에서만 배터리를 사용하십시오.
- ▶ 배터리를 조심히 다루어 손상되지 않고, 건강에 유해한 액체가 흘러나오지 않게 하십시오!
- ▶ 배터리는 어떠한 경우에도 개조 또는 변조해서는 안 됩니다!
- ▶ 배터리를 분해하거나 강한 압력 또는 80 °C (176 °F) 이상의 열을 가하거나 연소시켜서는 안 됩니다.
- ▶ 타격을 받은 적이 있거나 다른 손상이 있는 배터리는 사용 또는 충전하지 마십시오. 손상될 기미가 보이는 지 정기적으로 점검하십시오.
- ▶ 재활용 또는 수리한 배터리는 절대 사용하지 마십시오.
- ▶ 배터리 또는 배터리 구동식 전동 공구를 절대 타격 공구로 사용하지 마십시오.
- ▶ 배터리가 직사광선, 고온, 스파크 또는 불꽃에 절대 노출되지 않도록 하십시오. 이로 인해 폭발이 발생할 수 있습니다.
- ▶ 배터리 전극을 손가락, 공구, 장신구 또는 다른 전도성 물체를 통해 만지지 마십시오. 이는 배터리 손상, 물적 손상 및 부상을 유발할 수 있습니다.
- ▶ 배터리가 비 또는 습기 및 액체에 노출되지 않게 하십시오. 습기가 유입되면 단락, 감전, 화재, 불꽃 및 폭발이 일어날 수 있습니다.
- ▶ 배터리 타입에 해당되는 충전기 및 전동공구만 사용하십시오. 이를 위해 해당 사용 설명서에 적혀 있는 내용을 확인하십시오.
- ▶ 폭발 위험이 있는 환경에서 배터리를 사용하거나 보관하지 마십시오.
- ▶ 배터리를 잡기에 너무 뜨거운 경우에는 고장일 수 있습니다. 배터리를 인화성 물질과 충분한 거리를 둔 상태에서 눈에 잘 띄며 불이 잘 붙지 않는 장소에 두십시오. 배터리를 냉각시키십시오. 한 시간 후에도 계속 해서 배터리를 잡기에 너무 뜨거운 경우에는 배터리에 결함이 있을 수 있습니다. Hilti 서비스 센터에 문의하거나 "안전 및 Hilti 리튬 이온 배터리 작업 관련 지침" 문서 내용을 확인하십시오.



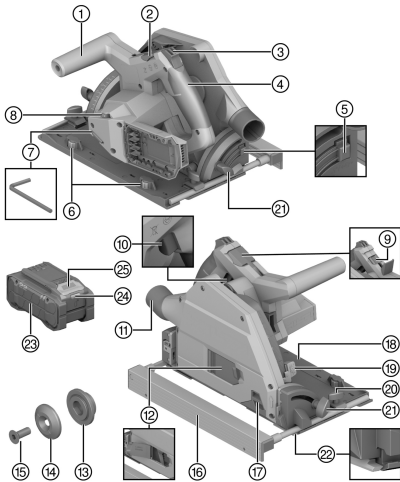
리튬 이온 배터리의 운반, 보관 및 사용 시 적용되는 특수 가이드라인에 유의하십시오. 278

안전 및 Hilti 리튬 이온 배터리 작업 관련 지침은 본 사용 설명서의 끝부분에 제시된 QR 코드를 통해 확인할 수 있습니다.



3 제품 설명

3.1 제품 개요



- ① 보조 손잡이
- ② 톱날 교환 잠금 레버
- ③ 스위치ON로크
- ④ 메인 손잡이
- ⑤ 절단 각도 -1° 및 47° 잠금해제 버튼
- ⑥ 유격 보정 다이얼
(베이스 플레이트의 가이드 레일 및 가이드 홈 사이의 유격)
- ⑦ 육각 렌치
- ⑧ 톱날 회전속도 다이얼
- ⑨ 스피들 잠금장치
- ⑩ ON/OFF 스위치
- ⑪ 절단 부스러기 배출 / 컨넥터
- ⑫ 톱날 교환용 마운팅 플랩
- ⑬ 마운팅 플랜지
- ⑭ 고정 플랜지
- ⑮ 클램핑 볼트
- ⑯ 병렬 스톱
- ⑰ 슬라이딩식 먼지 보호창
- ⑱ 베이스 플레이트
- ⑲ 가공 깊이 조절장치
- ⑳ 병렬 스톱 클램핑 볼트
- ㉑ 절단각 조절 클램핑 볼트
- ㉒ 적응형 절단 표시기
- ㉓ 배터리
- ㉔ 배터리 상태 표시기
- ㉕ 배터리 잠금해제 버튼

3.2 규정에 맞는 사용

기술된 제품은 배터리 구동식 플랜지 원형톱입니다. 다음과 같은 자세에서만 톱 작업 및 플랜지 컷을 진행하는 용도로 사용됩니다.

- 목재 및 목재 유사 소재
- 플라스틱
- 석고 보드
- 섬유 시멘트 보드
- 비철금속

본 제품은 목공 및 인테리어 작업용으로 설계되었습니다.

원형톱에는 옵션으로 제공되는 먼지 제거기에 사용할 수 있는 어댑터가 설치되어 있으며, 이 어댑터는 기본 흡입 호스에 맞춰 설계되어 있습니다. 먼지 제거기 호스를 톱에 연결하려면 적합한 어댑가 필요할 수 있습니다.

기술자료에 제시된 제한(예: 직경, 회전수, 두께, 소재 등...)과 일치하며, 제품에 허용되는 톱날만 사용하십시오. 연삭 및 커팅 디스크와 고합금 고속도강(HSS 강) 소재의 톱날은 허용되지 않습니다.

베이스 플레이트의 접촉면 크기가 충분히 큰 공작물만 톱 작업하십시오.

- 본 제품에는 모델시리즈 B 22의 Hilti 리튬이온 배터리만 사용하십시오. Hilti는 본 제품에 사용 설명서 끝부분 표에 제시된 배터리를 사용할 것을 권장합니다.
- 해당 배터리에는 본 사용 설명서 끝부분에 명시된 모델시리즈의 Hilti 충전기만 사용하십시오.

3.3 공급품목

충전 원형톱, 톱날, 사용 설명서

 해당 제품에 허용되는 기타 시스템 제품은 **Hilti Store** 또는 다음 사이트에서 확인할 수 있습니다.
www.hilti.group



3.4 리튬이온 배터리 표시

Hilti Nuron 리튬 이온 배터리는 충전 상태, 오류 메시지 및 배터리 상태를 표시할 수 있습니다.

3.4.1 충전 상태 및 오류 메시지 표시

경고

부상 위험 떨어지는 배터리로 인한 위험!

- ▶ 배터리가 끼워진 상태에서 잠금해제 버튼을 누른 경우, 배터리가 사용하는 제품에 다시 제대로 고정되었는지 확인하십시오.

다음과 같은 표시를 확인하려면, 배터리 잠금해제 버튼을 짧게 누르십시오.

연결된 제품의 전원이 켜져 있는 동안 충전 상태 및 발생 가능한 기능 장애 내용도 계속 표시됩니다.

상태	의미
4개 LED가 녹색으로 계속 점등됩니다	충전 상태: 100 % ~ 71 %
3개 LED가 녹색으로 계속 점등됩니다	충전 상태: 70 % ~ 51 %
2개 LED가 녹색으로 계속 점등됩니다	충전 상태: 50 % ~ 26 %
1개 LED가 녹색으로 계속 점등됩니다	충전 상태: 25 % ~ 10 %
1개 LED가 녹색으로 느리게 깜박입니다	충전 상태: < 10 %
1개 LED가 녹색으로 빠르게 깜박입니다	리튬이온 배터리가 완전히 방전되었습니다. 배터리를 충전하십시오. 배터리 충전 후에도 계속해서 LED가 빠르게 깜박이면, Hilti 서비스 센터에 문의해 주십시오.
1개 LED가 황색으로 빠르게 깜박입니다	리튬 이온 배터리 또는 배터리와 관련된 제품이 과부하되었거나, 너무 뜨겁거나 차갑거나 또는 다른 오류가 발생했습니다. 제품 및 배터리를 권장하는 작동 온도 상태로 유지하고, 제품을 사용하지 않을 경우 제품에 과부하가 걸리지 않도록 하십시오. 해당 메시지가 계속 존재하는 경우, Hilti 서비스 센터에 문의해 주십시오.
1개 LED가 황색으로 점등됩니다	리튬이온 배터리 및 배터리가 연결된 제품과 호환되지 않습니다. Hilti 서비스 센터에 문의해 주십시오.
1개 LED가 적색으로 빠르게 깜박입니다	리튬이온 배터리 사용이 금지되어 더 이상 사용할 수 없습니다. Hilti 서비스 센터에 문의해 주십시오.

3.4.2 배터리 상태 표시

배터리 상태를 조회하려면, 잠금해제 버튼을 3초 이상 누르고 계십시오. 낙하, 틈새 발생, 외부 요인으로 인한 열 손상 등 잘못된 사용으로 인해 시스템에서 잠재적으로 발생할 수 있는 배터리의 오작동을 감지하지 못합니다.

상태	의미
작동 표시등으로 모든 LED가 점등된 후 1개 LED가 녹색으로 계속 점등됩니다.	배터리를 계속해서 사용할 수 있습니다.
작동 표시등으로 모든 LED가 점등된 후 1개 LED가 황색으로 빠르게 깜박입니다.	배터리 상태 조회를 종료할 수 없습니다. 해당 과정을 반복하거나 Hilti 서비스 센터에 문의해 주십시오.
작동 표시등으로 모든 LED가 점등된 후 1개 LED가 적색으로 계속 점등됩니다.	연결된 제품을 계속해서 사용할 수 없는 경우, 남아 있는 배터리 용량이 50% 미만입니다. 연결된 제품을 계속해서 사용할 수 없는 경우, 배터리의 수명이 다 되어 교체해야 합니다. Hilti 서비스 센터에 문의해 주십시오.



4 기술자료

4.1 제품 특성

	SC 6WP-22
제품 세대	01
무게	3.3kg (EPTA-Procedure 010에 따른 값, 배터리 미포함)
무게(병렬 스톱)	0.45kg
크기 (길이 × 폭 × 높이)	360mm × 200mm × 237mm
날 두께	1mm ... 1.5mm
최대 절단 깊이	57mm
무부하 회전 속도	6,000/min
정격 전압	21.6V

4.2 톱날 유형 및 용도

톱날 유형	작업 지침
범용 톱날 미세 절단 톱날	목재 및 목재 기반 소재
섬유 시멘트 톱날	섬유 시멘트 또는 섬유 시멘트 기 반 소재

4.3 보관 및 작동 온도

보관 온도	-20 °C ... 70 °C
작동 시 주변 온도	-17 °C ... 60 °C

4.4 배터리

배터리 모드 전압	21.6V
배터리 무게	본 사용 설명서의 끝부분 참조
작동 시 주변 온도	-17 °C ... 60 °C
보관 온도	-20 °C ... 40 °C
충전 시작 시 배터리 온도	-10 °C ... 45 °C

4.5 소음 정보 및 진동 값

이 지침에 제시된 음압 및 진동수준은 표준화된 측정방법에 따라 측정된 것이며, 전동 공구를 서로 비교하기 위한 용도로 사용할 수 있습니다. 음압 및 진동 수준은 노출 정도를 사전에 예측하는 데에도 유용하게 사용할 수 있도록 설계되어 있습니다.

제시된 데이터는 전동 공구의 주된 용도를 나타냅니다. 그러나 전동 공구를 다른 용도로 사용하거나 다른 공구 비트를 사용할 경우 또는 유지보수를 충분히 하지 않은 상태에서는 데이터에 편차가 있을 수 있습니다. 이러한 경우 전 작업시간에 걸쳐 노출이 현저하게 증가할 수 있습니다.

노출을 정확하게 평가하기 위해서는 전동 공구 작동이 멈춰 있거나 또는 작동 중이지만 실제로는 사용하지 않는 시간도 고려해야 합니다. 이러한 경우 전 작업시간에 걸쳐 노출이 현저하게 감소할 수 있습니다.

사용자를 보호하기 위해 음파 그리고/또는 진동이 작용하기 전에 다음과 같은 추가적인 안전 조치를 취하십시오. 전동 공구와 공구 비트의 유지보수, 손을 따뜻하게 유지, 작업순서 정하기 등.

여기에서 적용된 **EN 62841** 규정의 버전에 관한 세부 정보는 적합성 선언 이미지 316에서 확인할 수 있습니다.

소음정보

소음 수준 (L_{WA})	106dB(A)
소음 수준 허용공차 (K_{WA})	3dB(A)



음압 수준 (L_{pA})	98dB(A)
음압 수준 허용공차 (K_{pA})	3dB(A)

진동 총 값

합판 톱 작업(a_h)	B 22-55	0.9m/s ²
알루미늄 시트 톱 작업($a_{h,M}$)	B 22-55	1.7m/s ²
허용공차(K)		1.5m/s ²

5 작업 준비

경고

부상 위험 돌발적인 작동!

- ▶ 배터리를 끼우기 전에 해당 제품의 전원이 꺼져 있는지 확인하십시오.
- ▶ 기기 설정 또는 액세서리를 교체하기 전에 배터리를 제거하십시오.

본 문서 및 제품에 나와 있는 안전 지침 및 경고 지침에 유의하십시오.

5.1 배터리 충전

1. 충전하기 전에 충전기의 사용 설명서를 읽으십시오.
2. 배터리 및 충전기의 접점이 청결하고 건조한 상태인지 확인하십시오.
3. 허용되는 충전기에서 배터리를 충전하십시오. 270

5.2 배터리 삽입

경고

부상 위험 부상 위험!

- ▶ 배터리를 끼우기 전에 배터리의 접점 및 제품의 접점에 이물질이 남아 있지 않은지 확인하십시오.
- ▶ 배터리가 제대로 고정되었는지 확인하십시오.

1. 처음으로 사용하기 전, 배터리를 완전히 충전하십시오.
2. 배터리가 제품에 고정되는 소리가 들릴 때까지 미십시오.
3. 배터리가 정확하게 설치되어 있는지 점검하십시오.

5.3 배터리 제거

1. 배터리의 잠금 해제 버튼을 누르십시오.
2. 배터리를 제품에서 빼내십시오.

5.4 추락 방지장치

경고

부상 위험 떨어지는 공구 및/또는 액세서리에 의한 유발!

- ▶ 해당 제품에 권장하는 Hilti 공구 고정끈만 사용하십시오.
- ▶ 사용하기 전에 항상 공구 고정끈의 고정점에 손상된 곳이 없는지 확인하십시오.



공중 작업에 대한 국가별 규정에 유의하십시오.

본 제품에 맞는 추락 방지장치로 Hilti 공구 고정끈 #2261971만 사용하십시오.

- ▶ 그림에 제시된 바와 같이 공구 고정끈을 고리와 함께 제품에 고정시키십시오. 확실하게 고정되었는지 점검하십시오.
- ▶ 카라비너 후크를 하중을 지지하는 구조물에 고정시키십시오. 카라비너 후크가 확실하게 고정되었는지 점검하십시오.



Hilti 공구 고정끈의 사용 설명서 내용에 유의하십시오.



5.5 플런지 유닛을 조립 위치로 옮기기

플런지 유닛에는 조립창을 통해 클램핑 볼트에 접근할 수 있는 조립 위치가 있습니다. 잠금 레버를 통해 조립 위치를 조절할 수 있습니다.

잠금 레버를 뒤로 젖히면(원점 위치) 플런지 유닛이 뒤로 젖혀집니다. 제품의 메인 손잡이를 잡고 플런지 유닛을 올바르게 제어하여 시작 위치로 이동시키십시오.

1. 최대 절단 길이로 삽입할 수 있도록 제품의 위치를 설정하십시오.(예: 테이블 가장자리).
2. 톱날 조립을 위해 조립 플랩을 여십시오.
3. 절단 길이 조절 표시기를 최대값 **(1)**로 조절하십시오.
4. 잠금 레버를 위로 접으십시오(조립 위치) **(2)**.
5. 스위치ON로크 **(3)**을 길게 누르고 플런지 유닛을 조립 위치로 내리십시오.
 - ▶ 플런지 유닛이 조립 위치에서 소리와 함께 맞물려 잠깁니다.
 - ▶ 조립창에서 클램핑 볼트가 중앙에 위치하는 것이 보입니다.

5.6 톱날 분리

경고

톱날, 클램핑 볼트 및 고정 플랜지에서 화재 및 절단 위험 결과적으로 화재 및 절단 부상이 발생할 수 있습니다.

▶ 치즐을 교환할 때에는 보호장갑을 착용하십시오.

1. 플런지 유닛을 조립 위치로 옮기십시오. 274
2. 스피들 잠금장치를 계속 누르고 계십시오 **(1)**.
3. 알렌키를 이용하여 클램핑 볼트를 푸십시오 **(2)**.

회전방향 화살표에 따라 다음과 같이 방향을 설정하십시오. 톱날의 회전방향으로 클램핑 볼트를 푸십시오.

4. 클램핑 볼트 및 고정 플랜지를 제거하십시오.
5. 안전반에서 톱날을 아래쪽으로 분리하십시오.

필요한 경우 세척을 위해 마운팅 플랜지를 빼낼 수 있습니다.

5.7 톱날 장착

고정할 톱날이 기술적인 요구사항에 부합하고 상태가 양호한지 확인하십시오. 날카로운 톱날은 이상적인 톱 절단을 위한 전제조건입니다.

매번 사용하기 전에 절단할 자재에 적합한 톱날을 선택하십시오.

1. 플런지 유닛을 조립 위치로 옮기십시오. 274
2. 마운팅 플랜지 및 고정 플랜지를 청소하십시오 **(1)**.
3. 마운팅 플랜지를 정확한 방향으로 드라이브 스피들에 끼우십시오.
4. 새 톱날을 끼우십시오 **(2)**.
 - ▶ 톱날 **(3)** 및 보호 커버 **(4)** 위에 표시된 회전방향 화살표에 유의하십시오. 두 회전방향 화살표의 방향이 일치해야 합니다.
5. 고정 플랜지를 올바른 방향으로 끼우십시오.
6. 클램핑 볼트를 체결하십시오.
7. 스피들 잠금장치를 계속 누르고 계십시오 **(5)**.
8. 알렌키를 이용하여 클램핑 볼트를 조이십시오 **(6)**.

회전방향 화살표에 따라 다음과 같이 방향을 설정하십시오. 톱날의 회전방향에 맞춰 클램핑 볼트를 조이십시오.

9. 톱날이 제대로 설치되었는지 점검하십시오.
10. 제품의 메인 손잡이 부분을 잡으십시오.
11. 잠금 레버를 기본 위치로 설정하고 플런지 유닛을 기본 위치로 다시 돌리십시오 **(7)**.
12. 톱날 조립을 위해 조립 플랩을 닫으십시오.



5.8 슬라이딩식 먼지 보호창

최적의 절단 부스러기 배출을 위해 항상 먼지 보호창을 공작물에 최대한 가깝게 밀어 넣으십시오.

5.9 절단 깊이 설정



설정된 절단 깊이는 항상 절단할 금속 두께보다 약 5 - 10mm 큰 사이즈로 선택해야 합니다.

1. 절단 깊이 조절을 위해 잠금해제 버튼을 길게 누르십시오 (1).
2. 슬라이더를 필요한 절단 깊이로 미십시오 (2).
 - ▶ 절단 깊이 표시기에는 가이드 레일을 포함한 절단 (3) 및 가이드 레일을 포함하지 않은 절단 (4)에 대한 별도의 표시가 있습니다.
3. 절단 깊이 조절을 위해 잠금해제 버튼을 해제하십시오.

5.10 마이터 컷 절단 각도 설정



• 단단히 조일 때 보조 손잡이나 톱에 압력을 가하지 않도록 하고, 앞뒤 각도가 서로 다르게 조절되는 일이 없도록 하십시오. 각도 설정이 다르면 더 이상 일직선으로 절단할 수 없습니다.

1. 절단 각도 조절을 위한 클램핑 볼트 2개를 푸십시오 (1).
2. 원하는 절단 각도로 제품을 회전시키십시오 .
 - ▶ 각도를 -1° 또는 45° 이상(최대 47°까지)으로 설정하려면 잠금해제 버튼을 길게 누르십시오 (2).
3. 절단 각도 조절을 위한 두 클램핑 볼트 중 하나를 조이십시오.
4. 절단 각도 조절을 위한 반대쪽 클램핑 볼트를 조이십시오.

5.11 톱날 회전속도 설정하기

항상 사용 중인 톱날과 작업 소재에 맞는 회전속도를 선택하십시오. 회전속도를 조절해 톱니의 과열을 방지하고 톱날의 수명을 늘릴 수 있습니다.

- ▶ 속도 선택 다이얼을 적합한 위치로 돌리십시오.

5.12 병렬 스톱 장착

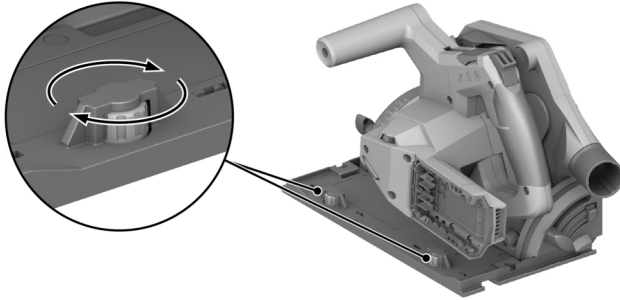


제품에 장착하는 방식에 따라 병렬 스톱은 다음과 같이 두 가지 기능 중 하나를 수행할 수 있습니다.

- L자형 가장자리가 아래쪽을 향하는 경우:
병렬 스톱을 이용해 가장자리를 따라 동일하게 유지되는 절단 기능.
- L자형 가장자리가 위쪽을 향하는 경우:
가이드 레일 없이도 절단 시 더욱 안정적으로 가이드할 수 있도록 베이스 플레이트 확장 기능.

1. 양쪽 클램핑 볼트를 푸십시오.
2. 병렬 스톱을 베이스 플레이트 마운팅 서포트 안으로 미십시오.
3. 절단에 필요한 간격 만큼 병렬 스톱을 조절하십시오.
 - ▶ 양쪽 간격이 동일한지 확인하십시오.
4. 양쪽 클램핑 볼트를 조이십시오.





1. 가이드 리브 위에 제품의 베이스 플레이트 홈 부분을 올려 놓으십시오.
2. 가이드 레일과 베이스 플레이트 사이의 유격을 확인하십시오.
3. 편심 나사 (1)을 통해 다음과 같이 유격을 조절하십시오:
 - ▶ 유격을 줄일 때는 편심 나사를 시계 방향으로 돌리십시오.
 - ▶ 유격을 늘릴 때는 편심 나사를 시계 반대 방향으로 돌리십시오.
4. 슬라이딩 동작에 영향을 주지 않는 범위 내에서 가능한 한 낮은 유격을 설정하십시오.

6 조작

본 문서 및 제품에 나와 있는 안전 지침 및 경고 지침에 유의하십시오.

6.1 전원 켜기 또는 끄기

전원 켜기

1. 스위치ON로크를 위쪽으로 길게 누르십시오.
2. ON/OFF 스위치를 누른 상태로 유지합니다.
3. 스위치ON로크를 해제하십시오.



스위치ON로크는 켜기/끄기 스위치를 누른 상태이거나, 플런지 유닛이 플런지 위치에 있는 동안 잠금해제된 상태로 유지됩니다. 플런지 유닛이 기본 위치에 있고 켜기/끄기 스위치를 해제하면 스위치ON로크가 자동으로 잠금 위치로 이동합니다.

전원 끄기

4. 플런지 유닛을 기본 위치로 다시 돌리십시오.
5. 전원 ON/OFF 버튼에서 손을 떼십시오.

6.2 먼지 및 절단 부스러기 관리

- 먼지 제거기를 적용한 톱 작업:
흡입 호스를 흡입 어댑터에 연결하고 먼지 제거기 사용 설명서의 지침에 따르십시오.
- 먼지 봉투를 적용한 톱 작업:
어댑터를 이용해 먼지 봉투를 먼지 제거기용 흡입 어댑터에 삽입하십시오.



본 제품은 먼지 수거 절차 없이 작동할 수 있습니다. 톱밥과 절단 부스러기가 자유롭게 배출될 수 있는지 확인하십시오.

6.3 절단선을 그은 후 톱 작업하기



베이스 플레이트의 접촉면 크기가 충분히 큰 공작물만 톱 작업하십시오.

1. 공작물이 움직이지 않도록 고정하고 절단 경로(스크라이브)를 표시하십시오.



2. 절단 깊이를 설정하십시오. 275
3. 적응형 절단 표시기와 함께 제품을 스크라이브 선에 설치하십시오.
4. 제품의 전원을 켜십시오. 276
 - ▶ 제품의 플런징 동작은 ON/OFF 스위치의 잠금이 해제된 상태에서만 진행할 수 있습니다.
5. 플런지 유닛을 스톱 지점까지 공작물 안으로 삽입하십시오 (1).
6. 적합한 작업 속도로 공작물을 관통하여 제품을 이동하십시오.
7. 톱날이 작동하는 상태에서 플런지 유닛을 기본 위치로 다시 돌리십시오 (2).

이렇게 하면 톱날이 공작물에 걸리는 것을 방지할 수 있습니다.

8. 플런지 유닛이 기본 위치에 오는 즉시 제품의 전원을 끄십시오. 276

6.4 플런지 컷 진행

1. 절단 깊이를 설정하십시오. 275
2. 제품을 공작물에 설치하십시오.
3. 제품의 전원을 켜십시오. 276
 - ▶ 제품의 플런징 동작은 ON/OFF 스위치의 잠금이 해제된 상태에서만 진행할 수 있습니다.
4. 제품을 공작물 끝까지 플런징하십시오.
5. 적합한 작업 속도로 공작물을 관통하여 제품을 이동하십시오.
6. 공작물에서 제품을 꺼내 방향을 돌리십시오.
7. 플런지 유닛이 기본 위치에 오는 즉시 제품의 전원을 끄십시오. 276

6.5 마이터 컷 진행(각도 절단)

이 제품에는 설정된 절단 각도에 따라 자동으로 조정되는 적응형 절단 표시기가 있습니다. 적응형 절단 표시기는 가이드 레일 없이 절단할 때만 적용됩니다. 가이드 레일로 절단 시 절단선은 설계 구조상 설정된 절단 각도와 관계가 없습니다.

1. 마이터 컷 절단 각도를 설정하십시오. 275
2. 적응형 절단 표시기와 함께 제품을 스크라이브 선에 설치하십시오.
3. 제품의 전원을 켜십시오. 276
4. 플런지 유닛을 공작물 안에 삽입하십시오.
5. 가이드 레일을 따라 공작물을 관통하여 제품을 움직이십시오.

6.6 가이드 레일을 이용한 톱 절단

1. 가이드 레일을 2개의 스크류 클램프로 고정하십시오.
2. 가이드 레일의 가이드 리브 위에 베이스 플레이트의 홈을 올려 놓으십시오.
3. 마이터 컷 절단 각도를 설정하십시오. 275
4. 절단 깊이를 설정하십시오. 275
5. 제품의 전원을 켜십시오. 276
6. 플런지 유닛을 공작물 안에 삽입하십시오.
7. 가이드 레일을 따라 공작물을 관통하여 제품을 움직이십시오.

7 관리 및 유지보수

경고

배터리가 끼워진 상태에서 부상 위험!

- ▶ 관리 및 수리 작업을 진행하기 전에 항상 배터리를 제거하십시오!

제품 관리

- 공구에 부착되어 있는 오염물질을 조심스럽게 제거하십시오.
- 오염물질이 있는 경우, 부드러운 마른 솔로 환기 솔룩을 조심스럽게 청소하십시오.
- 약간 물기가 있는 수건으로만 하우징을 청소해 주십시오. 플라스틱 부품을 손상시킬 수 있으므로 절대로 실리콘이 함유된 보호제를 사용하지 마십시오.
- 제품의 접점을 청소하려면 깨끗하고 마른 천을 사용하십시오.



리튬 이온 배터리 관리

- 환기 슬롯이 막힌 상태에서는 절대 배터리를 사용하지 마십시오. 부드러운 마른 솔로 환기 슬롯을 조심스럽게 청소하십시오.
- 배터리가 불필요하게 먼지 또는 오염물에 노출되지 않도록 하십시오. 배터리를 절대 습도가 높은 곳에 두지 마십시오(예: 물 속에 담그거나 비내리는 곳에 두는 행위).
배터리에 물이 들어가면, 손상된 배터리처럼 취급하십시오. 물이 들어간 배터리는 비가연성 용기에서 절연시킨 후, Hilti 서비스 센터에 문의해 주십시오.
- 배터리를 외부 오일 및 그리스가 묻지 않도록 깨끗하게 유지하십시오. 배터리에 불필요하게 먼지 또는 오염물이 쌓이지 않도록 하십시오. 배터리를 부드러운 마른 솔 또는 깨끗하고 마른 걸레로 닦아내십시오. 플라스틱 부품을 손상시킬 수 있으므로 절대로 실리콘이 함유된 보호제를 사용하지 마십시오.
배터리의 접점에 접촉하지 말고, 접점에서 공구축에 부착된 그리스를 제거하지 마십시오.
- 약간의 물기가 있는 수건으로만 하우징을 청소해 주십시오. 플라스틱 부품을 손상시킬 수 있으므로 절대로 실리콘이 함유된 보호제를 사용하지 마십시오.

유지보수

- 눈에 보이는 모든 부품은 정기적으로 손상 여부를 점검하고, 조작성이 문제 없이 작동하는지 점검하십시오.
- 손상되었거나 기능 장애가 있는 경우에는 제품을 작동하지 마십시오. 즉시 Hilti 서비스 센터에 제품 수리를 의뢰하십시오.
- 관리 및 수리 작업 후 모든 보호장치를 가져와 기능에 이상이 없는지 점검하십시오.

 안전하게 작동하기 위해서는 순정품 예비 부품 및 소모품만 사용하십시오. Hilti에서 승인한 예비 부품, 소모품 및 액세서리는 Hilti Store 또는 www.hilti.group에서 확인할 수 있습니다.

7.1 보호장비 청소

1. 마른 솔로 보호장비를 조심스럽게 청소하십시오.
2. 적절한 도구를 가지고 보호장비 내부의 침전물과 부스러기를 제거하십시오.

7.2 절단 부스러기 통로 청소

1. 흡입 어댑터에 먼지 제거기를 장착한 경우 흡입 어댑터에서 흡입 호스를 제거하십시오.
2. 브러시를 이용해 절단 부스러기 통로를 청소하십시오.

8 충전식 공구 및 배터리 운반 및 보관

운반

주의

운반 시 돌발적으로 작동됨!

- ▶ 제품은 항상 배터리를 장착하지 않은 상태로 운반하십시오!
- ▶ 배터리를 분리하십시오.
- ▶ 배터리를 고정하지 않은 채로 운반해서는 절대 안 됩니다. 운반하는 도중 배터리에 과도한 충격을 받거나 진동이 발생하지 않게 하고 모든 전도성 소재 또는 다른 배터리로부터 분리시켜 다른 배터리 전극에 닿지 않고 단락이 발생하지 않게 하십시오. 배터리와 관련된 현지 운반 규정에 유의하십시오.
- ▶ 배터리는 우편을 통해 전달할 수 없습니다. 손상이 없는 배터리를 전송하고자 하는 경우 배송업체에 문의하십시오.
- ▶ 제품 및 배터리를 사용하기 전에 그리고 장시간 운반한 후에는 항상 손상 여부를 점검하십시오.

보관

경고

배터리 결함 또는 방전으로 인한 돌발적인 손상!

- ▶ 제품은 항상 배터리를 장착하지 않은 상태로 보관하십시오!
- ▶ 제품 및 배터리를 냉각 및 건조시켜 보관하십시오. 기술자료에 제시된 허용 온도 한계값에 유의하십시오.
- ▶ 배터리를 충전기에 보관하지 마십시오. 충전 후에는 항상 배터리를 충전기에서 분리하십시오.
- ▶ 배터리는 절대 직사광선이 들어오는 곳, 열원 위 또는 유리 뒤쪽에 보관하지 마십시오.
- ▶ 제품 및 배터리는 건조한 상태로 어린이나 외부인의 손이 닿지 않는 곳에 보관하십시오.
- ▶ 제품 및 배터리를 사용하기 전에 그리고 장시간 보관한 후에는 항상 손상 여부를 점검하십시오.



9 문제 발생 시 도움말

장애 발생 시 항상 배터리 상태 표시기를 확인하십시오. 리튬이온 배터리 표시 단원을 참조하십시오.



본 도표에 제시되어 있지 않거나 스스로 해결할 수 없는 문제가 발생한 경우 Hilti 서비스 센터에 문의해 주십시오.

장애	예상되는 원인	해결책
ON/OFF 스위치를 누를 수가 없음 또는 블로킹됨	장애 아님(안전 기능).	▶ 스위치ON로크를 누르십시오.
회전속도가 갑자기 떨어짐.	배터리를 방전시키십시오. 이송력 너무 높음.	▶ 배터리를 충전하십시오. ▶ 이송력을 줄이고 제품의 전원을 다시 켜십시오.
흡입용량 없음 또는 감소함.	절단 부스러기 통로가 막힘.	▶ 절단 부스러기 통로를 청소하십시오. 278
톱날이 끼인 다음에 제품이 자동으로 다시 작동하지 않음.	과부하 방지 기능 작동됨.	▶ 스위치ON로크 및 ON/OFF 스위치를 다시 누르십시오.
배터리를 밀어 넣을 때 찰칵하는 소리가 들리지 않음.	배터리 래치 오염됨.	▶ 배터리 래치를 청소하고 배터리를 다시 끼우십시오.
제품이 평소보다 진동이 심함.	톱날이 잘못 설치됨.	▶ 톱날을 분리했다가 다시 장착하십시오.
배터리의 LED에서 아무런 표시가 없음	배터리 결함	▶ Hilti 서비스 센터에 문의해 주십시오.

10 폐기



경고

부적절한 폐기로 인한 부상 위험! 새어나오는 가스 또는 용액으로 인한 건강상의 위험.

- ▶ 손상된 배터리는 전달하지 마십시오!
- ▶ 비전도성 소재로 연결 단자를 막아 두어 단락이 발생하지 않게 하십시오.
- ▶ 배터리가 어린이의 손에 닿지 않도록 폐기하십시오.
- ▶ Hilti Store에서 배터리를 폐기하거나 또는 담당 폐기물 처리 업체에 문의하십시오.

Hilti 제품은 대부분 재사용이 가능한 소재로 제작되었습니다. 재활용을 위해 개별 부품을 분리하여 주십시오. Hilti는 대부분의 국가에서 재활용을 위해 노후기기를 수거해 갑니다. Hilti 고객 서비스 센터 또는 판매 상담자에게 문의하십시오.



- ▶ 전동 공구, 전작식 기기 및 배터리를 일반 가정 쓰레기로 폐기하지 마십시오!

11 제조회사 보증

- ▶ 보증 조건에 관한 질문사항은 현지 Hilti 파트너사에 문의하십시오.

12 기타 정보

작동법, 기술, 환경 및 재활용에 대한 세부 정보는 qr.hilti.com/manual?id=2276609&id=2276671에서 확인할 수 있습니다.

해당 링크는 본 문서 끝에 QR 코드 형식으로도 제시되어 있습니다.



原始操作說明

1 關於操作說明的資訊

1.1 關於本操作說明

- 注意！在使用本產品之前，請確保您已閱讀並瞭解產品隨附的操作說明書，包括說明、安全性和警示注意事項、圖解和規格。尤其是熟悉所有說明、安全性和警示注意事項、圖解、規格、組件和功能。若未遵守，可能會導致觸電、火災和/或嚴重傷害的風險。妥善保存操作說明書，包括所有說明、安全性和警示注意事項，以備日後使用。
- **HILTI** 產品是針對專業使用者設計，故僅經訓練、認可的人員可操作、維修與維護本產品。必須告知上述人員關於可能遭遇到的特殊危險。若因未經訓練人員操作錯誤或未依照其原本的用途操作，則本產品和它的輔助工具設備有可能會發生危險。
- 隨附的操作說明書符合印刷時的最新技術水準。您隨時可在Hilti產品頁面上尋找最新版本。為此，請點選操作說明書中標示 符號的連結或QR碼。
- 將產品交予他人時，必須連同本操作說明書一併轉交。

僅適用於台灣

進口商: 喜利得股份有限公司

地址: 新北市板橋區

新站路16號24樓22041

電話: 0800-221-036

1.2 已使用的符號解釋

1.2.1 警告

警告您在操作或使用本產品時可能發生之危險。採用了以下標示文字：

危險

危險！

- ▶ 此標語警示會發生對人造成嚴重傷害甚至致死的危險情形。

警告

警告！

- ▶ 此標語警示會造成嚴重傷害甚至致死危險的潛在威脅。

注意

注意！

- ▶ 請小心會造成人員受傷或對設備及其他財產造成損害的潛在危險情況。

1.2.2 操作說明中的符號

本操作說明中採用以下符號：

	請遵照操作說明
	使用操作說明與其他資訊
	處理可回收的材料
	不可將電子設備與電池當作家庭廢棄物處置
	Hilti 鋰電池
	Hilti 充電器

1.2.3 圖解中的符號

圖解中採用了以下符號：

- 2** 號碼對應操作說明的開始處的圖解。



3	編號代表圖解中的操作步驟順序，可能與內文中的步驟有所不同。
	概覽圖解中使用位置編號，方便您對應到產品概覽段落中的圖例編號。
	這些特色是為了讓您在操作本產品時可以注意某些重點。

1.3 產品專屬符號

1.3.1 一般符號

與產品相關的符號。

n_0	無負載下額定轉速
— — —	直流電 (DC)
➔	旋轉方向箭頭
RPM	每分轉數
∅	直徑
	鋸片
	本產品支援相容於iOS及Android平台的無線資料傳輸。
	若產品上有此符號，代表產品已通過該認證機構的認證，適用於美國和加拿大市場。
Li-Ion	鋰電池
	請勿將電池使用作為敲擊工具。
	避免電池掉落。不得使用遭受衝擊或其他原因遭到損壞的電池。

1.3.2 強制標誌

產品上採用下列強制標誌：

	佩戴護目鏡
--	-------

2 安全性

2.1 一般電動機具安全警告

⚠ 警告 請詳閱本電動機具提供的所有安全警告、指示、圖解和說明。未能遵守以下所有指示可能會造成電擊事故、火災和/或嚴重的傷害。

妥善保存所有警示及說明，以供將來參考。

注意事項中的「機具」係指使用電源（有線）或電池（無線）的電動機具。

工作區域安全

- ▶ 請保持工作區的清潔與採光充足。雜亂而昏暗的工作區會導致意外發生。
- ▶ 勿在容易發生爆炸的環境中使用機具，例如有可燃性液體、瓦斯或粉塵存在的環境。機具產生的火花可能會引燃塵埃或煙霧。
- ▶ 操作機具時，請與兒童及旁人保持距離。注意力不集中時容易發生失控的情形。

電力安全

- ▶ 機具插頭與插座須能互相搭配。勿以任何方式改裝插頭。勿將任何變壓器插頭和與地面接觸（接地）的電動機具搭配使用。未經改裝的插頭以及能互相搭配的插座可減少發生電擊的危險。
- ▶ 避免讓身體碰觸到如管線、散熱器、爐灶與冰箱等與土地或地表接觸之物品。如果您的身體接觸到地表或地面，將增加電擊的危險。



- ▶ 請勿將機具曝露在下雨或潮濕的環境中。若水氣進入機具中將增加觸電的危險。
- ▶ 勿濫用電纜線。勿以電纜線吊掛、拖拉機具或拔下機具插頭。電纜線應避開熱氣、油、銳利的邊緣或移動性零件。電纜線損壞或纏繞會增加發生電擊事故的危險。
- ▶ 於室外操作機具時，須使用適用於戶外的延長線。使用適合戶外使用的延長線可降低觸電的風險。
- ▶ 如果無法避免在潮濕的地點操作機具，請使用漏電斷路器 (RCD) 保護電源供應器。使用漏電斷路器 (RCD) 可降低電擊的風險。

人員安全

- ▶ 操作機具時，請提高警覺，注意進行中的工作並善用常識。感到疲勞或受到藥物、酒精或治療的影響時勿使用機具。操作機具時稍不留神就可能造成嚴重的人員傷亡。
- ▶ 穿戴個人防護裝備。請隨時穿戴眼罩。適當使用防塵面罩、防滑鞋、安全帽及耳罩等安全防護配備可減少人員的傷害。
- ▶ 避免不經意的啟動。在接上電源或電池組、抬起或攜帶機具之前，務必確認開關處於關閉的位置。攜帶機具時，如果把手指放在開關上，或在開關開啟時，將機具插上插頭容易發生意外。
- ▶ 啟動機具前，應將所有調整鑰匙或扳手移開。將扳手或鑰匙留在機具的旋轉零件中可能會造成人員傷害。
- ▶ 勿將手伸出過遠。隨時站穩並維持平衡。這可讓您在意外情況發生時，對機具有較好的控制。
- ▶ 穿著適當服裝。請勿穿著寬鬆的衣服或佩戴珠寶。頭髮、衣服與手套應遠離移動性零件。移動性零件可能會夾到寬鬆的衣服、珠寶或長髮。
- ▶ 如果機具可連接吸塵裝置與集塵設備，請連接並適當使用這些設備。使用集塵裝置可降低與粉塵有關的危險。
- ▶ 請勿因頻繁而習慣使用機具便疏於遵守或忽略機具的安全規範。草率使用可能在轉眼間便造成嚴重的傷害。

機具使用與保養

- ▶ 不可強制使用機具。依據用途使用正確的機具。根據設計的速率使用機具可更快速安全地完成工作。
- ▶ 若開關無法啟動或關閉電動工具時，請勿使用電動工具。任何無法以開關控制的機具都很危險且需要維修。
- ▶ 在進行任何調整、更換配件、或貯放電動機具前，請先將插頭拔離插座和 / 或將電池組自電動機具卸下 (如可拆卸)。此預防安全措施可降低機具意外啟動的風險。
- ▶ 將開置的機具貯放在兒童拿不到的地方，勿讓不熟悉或未詳閱本說明的人員操作本機具。機具在未經訓練的使用者手中是很危險的。
- ▶ 維護機具與配件。請檢查移動性零件有無偏移或黏合的情形、零件有無破損，以及任何會影響機具運轉的狀況。如果機具受損，請先維修後再使用。很多意外便是由維護不當的機具造成的。
- ▶ 保持切割機具的銳利與清潔。具銳利切割邊緣的切割機具如果得到適當的維護，便較不會發生黏合的現象，且較容易控制。
- ▶ 遵守本指示說明使用機具、配件和工具組等，並考量工作條件與待進行的工作。將機具用在原目的外之用途可能會造成危險。
- ▶ 保持握把與其表面的乾燥、清潔且不要讓上面出現油漬。握把及其表面濕滑會在意外情況中造成機具無法安全掌控。

電池機具的使用與保養

- ▶ 務必使用原廠指定的充電器進行充電。將適合特定類型電池的充電器使用在其他電池時，會有造成火災的危險。
- ▶ 務必使用機具特別指定的電池匣。使用其他的電池匣可能會造成受傷或火災。
- ▶ 電池匣未使用時，請將其遠離如迴紋針、錢幣、鑰匙、針、固定釘或其他會在電池兩極間形成連結的小型金屬物件。在電池兩極間建立短路可能會造成灼傷或火災。
- ▶ 若使用不當，可能會有液體由電池流出；請避免接觸該液體。若不慎接觸，請以清水沖洗。如果不小心讓液體接觸到眼睛，請立即尋求醫療援助。從電池中滲出的液體，可能會導致過敏或灼傷。
- ▶ 請勿使用損壞或改裝過的電池組或機具。受損或改裝過的電池可能會無法正常運作而造成起火、爆炸或受傷的風險。
- ▶ 請勿將電池組或機具曝露在火源或極端的溫度環境中。曝露在火源或溫度超過130° C (265 °F) 的環境下可能會造成爆炸。
- ▶ 請遵守充電操作說明且不要在說明所載的溫度範圍之外為電池組或機具充電。不當充電或在指定溫度範圍外充電均可能造成電池損壞並提高起火的風險。

維修服務

- ▶ 請將機具交給合格的維修人員進行維修，並使用相同的替代零件。這可確保維護機具安全。
- ▶ 請勿自行維修損壞的電池。損壞的電池僅可由製造商或授權的維修商進行維修。



2.2 所有電鋸的安全說明

切鋸過程

- ▶ **⚠ 危險：**請保持雙手遠離切割區和鋸片。請用您的另一隻手握住輔助把手或馬達機殼。若以雙手握著電鋸，便不會被鋸片割傷。
- ▶ 請勿將手伸到工件底下。若將手放在工件底下，則當鋸片突出工件下方時防護措施無法發揮作用。
- ▶ 配合工件厚度，調整切割深度。工件底下保持不超過一個完整刀片鋸齒的距離。
- ▶ 請勿將工件物件放在手上或腿上進行切割。使用結實的固定座固定工件。重要的是將工件適當地固定，以盡量降低身體接觸、鋸片卡住或失去控制的風險。
- ▶ 在執行配件工具可能會接觸到隱藏線路之工作時，務必以握住絕緣握把的方式手持機具。接觸帶電的電線也會使電子機具的金屬部件帶電並導致觸電。
- ▶ 在縱向切割時，請一律使用擋塊或直邊引導件。這可更準確的切割並減少鋸片被夾住的情況。
- ▶ 請一律使用正確的鋸片尺寸和合適的軸孔（例如星形或圓形）。無法搭配電鋸硬體的刀片，會導致刀片偏移而失去控制。
- ▶ 請勿使用損壞或錯誤的鋸片墊圈或螺絲。特別為電鋸設計的刀片墊圈和螺絲，可達到最佳效能並確保操作安全。

反作用力 - 原因與適用的安全說明

- 反作用力是由於鋸片鉤住、卡住或未對準而引起的突然反應，導致電鋸不受控制而抬起，並從工件往操作人員方向移動；
- 如果鋸片在封閉的切口中被卡住或夾住，則鋸片刹住，且馬達動力會將電鋸反推至操作人員方向；
- 如果鋸片在鋸切中扭曲或未對準，則鋸片後邊緣上的鋸齒可能會卡在工件表面，導致鋸片脫出切口，並使電鋸往操作人員的方向彈回。

會產生反作用力的原因是使用方式錯誤或不當操作本電鋸。採用如下所述之適當程序可避免此情況的發生。

- ▶ 雙手緊緊握電鋸，並將手臂置於可以吸收反作用力的位置。身體應位於鋸片的側面，但不可和鋸片呈一直線。發生反作用力時，圓鋸可能跳回，但操作人員可採取適當的預防措施來控制反作用力道。
- ▶ 當鋸片卡住，或因任何原因需要中斷切割，請關閉電鋸並停在材料上保持不動，直到鋸片完全停止。電鋸正在切割時，切勿將電鋸移開工件或將電鋸往後拉，則可能產生反作用力。了解並採取更正措施，以排除卡住的原因。
- ▶ 要在工件中重新啟動電鋸時，請將鋸片放置到切口中央，且確認鋸齒沒有卡在材料中。鋸片卡住時，如重新啟動電鋸，則可能將其從工件中移出或引起反作用力。
- ▶ 請以大型控制板支撐，以減少鋸片卡住的反作用力風險。大型控制板會因其自身的重量而下垂。控制板必須支撐於兩側，在切口附近和在邊緣。
- ▶ 勿使用已經鈍化或損壞的鋸片。鋸片的鋸齒鈍化或未正確對準時，如果切口過窄，則會導致摩擦力增加、鋸片卡住和反作用力。
- ▶ 進行切割前，請先鎖緊鋸片深度和鋸片角度調整鎖定機桿。切割時變更設定會讓鋸片黏合，造成電鋸產生反作用力。
- ▶ 在牆上或其他盲蔽區域執行切割時，請格外小心。鋸片切入材料時可能會接觸到隱藏的異物，造成反作用力。

防護罩的功能

- ▶ 每次使用前，請檢查防護罩是否正確閉合。如果防護套無法自由移動且立即閉合，請勿使用該電鋸。絕不可將防護罩夾緊或綁緊；如此可能使鋸片未受保護。如果電鋸不慎落在地板上，可能導致防護罩彎曲。確保防護罩可自由移動，且在所有切割角度和深度均不會碰觸鋸片或其他部件。
- ▶ 檢查防護罩的彈簧功能。如果防護罩無法正常運作，請在使用前將電鋸維修。損壞的零件、沾黏的沉積物或碎屑堆積皆會導致下方防護罩的運作遲緩。
- ▶ 在進行非直角「進刀切割」作業時，請牢固防止電鋸的底座側滑。側滑可能使鋸片卡住並導致反作用力。
- ▶ 切勿在防護罩未覆蓋鋸片的情況下，將電鋸放置在工作台或地板上。未受保護和續轉的鋸片會使電鋸逆著切割方向移動，並鋸切途中的一切。請注意電鋸的續轉時間。

2.3 其他安全須知

人員安全

- ▶ 勿嘗試以任何方式改裝本電動工具或配件。
- ▶ 操作本電動工具時限使用專屬防護裝置。
- ▶ 如果您在沒有吸塵裝置的情況下操作電動工具，請一律在產生灰塵的作業期間佩戴輕型呼吸防護裝置。
- ▶ 以雙手握持電動工具本身握把。
- ▶ 請配戴耳罩。暴露於噪音環境下會導致聽力受損。
- ▶ 請在工作中的休息時間放鬆雙手並運動手指，以改善手指的血液循環。
- ▶ 本電動工具不應由疲憊不堪且未受特殊訓練的人員使用。



- ▶ 請先將本電動工具移至加工位置上，才可在工作區域將它啟動。
- ▶ 在電動工具出現問題、更換附件工具或配件，以及在存放和運輸電動工具時，請取出電池。
- ▶ 請勿於頭上方使用本電動工具。
- ▶ 請勿對鋸片側邊施力以中斷電動工具運轉。
- ▶ 在安裝電池前，請確保已關閉電鋸並已扣上安全鎖。如此可避免電動工具意外啟動引起的傷害。
- ▶ 電動工具運轉時，請勿碰觸夾緊凸緣或固定螺栓。
- ▶ 在放置電動工具前，請等待至鋸片完全靜止。
- ▶ 在更換附件工具前，請等待至電動工具冷卻為止。
- ▶ 鋸片旋轉時，嚴禁操作主軸鎖定開關。
- ▶ 切勿將電動工具指向他人。
- ▶ 更換配件或電池、運輸或存放電動工具時，必須一律扣上安全鎖。
- ▶ 始終使用適合工件材料和屬性的鋸片。
- ▶ 請勿在此電動工具上安裝任何形式的砂輪片。
- ▶ 待電動工具啟動後才可讓其與工件接觸。
- ▶ 調整施在鋸片及正在切割之基材上的壓力。如此可防止鋸片卡住及可能造成的反作用力。
- ▶ 避免鋸齒尖端過熱。
- ▶ 附件工具的額定轉速，至少必須與標示在電動工具上的最大速率相同。配件的運轉速率如果比其標示的額定速率還快，可能會造成解體與飛散。
- ▶ 請勿在灰塵嚴重污染的環境中工作。
- ▶ 研磨、切割和鑽孔時產生的粉塵可能含有危險的化學物質。例如：鉛或以鉛為基底的顏料；磚塊、混凝土和其他建材產品、天然石材和其他含矽酸鹽的產品；橡木、山毛櫸等特定木材以及化學處理的木材；石棉或含有石棉的物質。根據操作員工作時接觸的物質危險等級來決定操作員和其他人員暴露在該環境的程度。採取必要的措施，以將暴露相關條件維持在安全等級上，例如：使用吸塵系統或配戴合適的防護面罩。降低在該環境下的暴露程度的一般措施包括：
 - ▶ 工作區域保持良好通風
 - ▶ 避免長時間接觸粉塵
 - ▶ 清除臉部和身體上的粉塵
 - ▶ 穿著防護衣，用水和肥皂清洗裸露在外的身體部位。
- ▶ 在工作區域中，請您與所有其他人員保持配戴符合本應用要求的呼吸保護器。
- ▶ 使用電動工具時，請您與工作區域中的所有其他人員均配戴合適的護目鏡、安全帽、耳罩、防護手套和防護鞋。
- ▶ 在開始作業前，請先針對作業時所產生粉塵之危險等級進行檢查。使用符合當地粉塵防治條例，且經法定認可為保護等級之工業用吸塵器。
- ▶ 遵守國家健康與安全要求。
- ▶ 請使用夾具或其他實作方式將工件固定並支撐在穩定的平台上。以手或身體抵住的方式固定工件並不穩定，並可能失去控制。勿讓其他人將工件固定位置。
- ▶ 請勿切割不明的基材，並確保工件上方與下方的切割線沒有障礙物。鋸片碰撞到物體時，可能會對電動工具產生彈回的反作用力。
- ▶ 掉落的工具和配件有導致受傷的危險。開始作業前，請確認安裝的配件已確實固定。
- ▶ 連接除塵器進行鋸切時，請避免接觸防護罩或吸塵軟管。產生大量粉塵的材料可能會增加靜電電擊的風險。
- ▶ 確保切割路徑中沒有障礙物，例如釘子、螺絲或其他金屬零件。
- ▶ 僅可使用Hilti建議符合EN 847-1標準的鋸片。
- ▶ 切割塑膠時，請確保工件不會過熱和融化。

電力安全

- ▶ 開始工作前，請先檢查工作區域是否有是否有隱藏的電纜線、瓦斯管或水管，例如使用探測器。例如，當電纜線意外受損時，電動工具外部的金屬零件可能會導電。如此將提高電擊的危險。

2.4 小心處理和使用電池

- ▶ 請遵守下列安全操作和使用鋰電池的安全注意事項。若未遵守，可能造成皮膚不適、嚴重腐蝕、化學燙傷、起火和/或爆炸。
- ▶ 請使用狀態完好無損的電池。
- ▶ 請小心處理電池，以避免其受損以及防止會嚴重危及健康的液體流出！
- ▶ 電池嚴禁修改或改裝！
- ▶ 請勿拆解、擠壓或焚燒電池，且不可將電池置放在溫度超過80°C (176°F)的環境中。
- ▶ 電池受過衝擊或其他損壞後，請勿使用或充電。請定期檢查電池是否有損壞的跡象。
- ▶ 請勿使用回收或維修過的電池。



- ▶ 請勿將電池或電池供電之機具作為鎚子使用。
- ▶ 請勿讓電池暴露在直接日曬、溫度過高、有火花或明火的環境中，否則可能導致爆炸。
- ▶ 請勿用手指、工具、珠寶或其他會導電的物品觸摸電池極柱，否則可能導致電池損壞、財物損失和人員受傷。
- ▶ 電池應避免淋雨、潮濕和水氣。水氣滲入會造成短路、觸電、燙傷、起火和爆炸。
- ▶ 請使用適用於該電池型號的充電器與電動工具。請詳閱並遵守相關操作說明書中的說明。
- ▶ 請勿在易爆炸環境中使用或存放電池。
- ▶ 若電池溫度過高無法觸摸，表示電池可能已經毀損。將電池放在清楚可見且沒有火災危險、遠離易燃材料的位置。讓電池冷卻。若一小時後電池溫度仍然過高無法觸摸，表示電池可能已經毀損。請洽詢Hilti維修中心或詳讀「Hilti鋰電池安全注意事項和使用」文件。

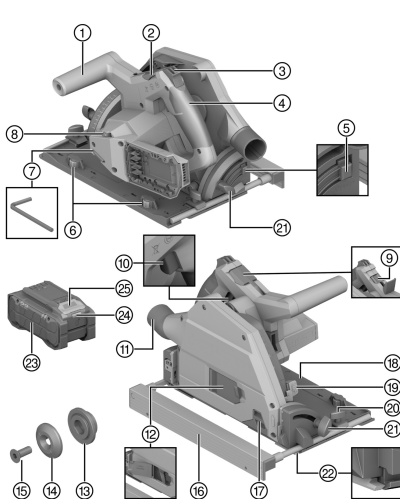


請遵守適用於運輸、存放和使用鋰離子電池的專用指令。 293

請透過本操作說明書末尾的條碼取得並詳讀Hilti鋰電池安全注意事項和使用。

3 說明

3.1 產品總覽



- ① 輔助握把
- ② 鋸片更換止動機桿
- ③ 安全鎖
- ④ 主握把
- ⑤ 切割角度-1°和47°釋放鈕
- ⑥ 間隙補償調節輪
(導引滑軌和底座導槽間隙)
- ⑦ 六角扳手
- ⑧ 鋸片轉速調節輪
- ⑨ 主軸鎖定開關
- ⑩ On/Off開關
- ⑪ 碎屑排出口 / 連接件
- ⑫ 用於更換鋸片的裝配蓋
- ⑬ 固定凸緣
- ⑭ 夾緊凸緣
- ⑮ 固定螺栓
- ⑯ 平行導規
- ⑰ 活動式防塵窗
- ⑱ 底座
- ⑲ 切割深度調整裝置
- ⑳ 平行導規固定螺栓
- ㉑ 切割角度調整裝置的固定螺栓
- ㉒ 自適應切割指示器
- ㉓ 電池
- ㉔ 電池狀態指示燈
- ㉕ 電池拆卸鈕

3.2 預期用途

所述產品為充電式的切入式圓鋸。它專門用於對以下材料進行鋸切和進刀切割：

- 木材及仿木材料
- 塑膠
- 石膏板
- 纖維水泥板
- 非鐵金屬

本產品專為木工工作和內部裝修而設計。

手持型圓鋸配有一個選配除塵器的連接件，該連接件設計用於一般吸塵軟管。要將吸塵軟管連接至電鋸，可能需要使用合適的轉接器。



僅可使用此產品專屬認可、且符合技術規格資料的鋸片（如直徑、轉速、厚度、材料等）。不許使用磨削及切割碟片，以及由高合金高速鋼（HSS）製成的鋸片。

僅可切割能提供底座足夠支撐面積的平面工件。

- 本產品限使用B 22系列Hilti鋰電池。Hilti建議本產品使用本操作說明結尾處表格中所列的電池。
- 僅可使用本操作說明結尾處所列的Hilti系列電池充電器為電池充電。

3.3 供貨內容

充電式圓鋸、鋸片、操作說明

關於本產品，您可於當地Hilti Store或網站查詢其他經過認證可搭配使用的系統產品：
www.hilti.group

3.4 鋰電池的顯示幕

Hilti Nuron鋰電池會顯示電池的電力、錯誤訊息和狀態。

3.4.1 電力和錯誤訊息的顯示



警告

有受傷的危險！因電池掉落

- ▶ 電池已插入時，請在按下拆卸鈕後確保電池重新正確地卡入所使用的產品中。

如欲獲得下列其中一個顯示畫面，請短按電池拆卸鈕。

只要已連接的產品已啟動，也會持續顯示充電狀態和可能的功能故障。

狀態	意義
四個 (4) LED持續亮綠燈	充電狀態：100 %至71 %
三個 (3) LED持續亮綠燈。	充電狀態：70 %至51 %
兩個 (2) LED持續亮綠燈。	充電狀態：50 %至26 %
一個 (1) LED持續亮綠燈。	充電狀態：25 %至10 %
一個 (1) LED緩慢閃綠燈。	充電狀態：< 10 %
一個 (1) LED快速閃綠燈。	鋰電池已完全沒電。裝入電池。 電池充電後若LED仍快速閃爍，請洽詢Hilti維修中心。
一個 (1) LED快速閃黃燈。	鋰電池或與之連接的產品過載、溫度太高、溫度太低或有其他故障情形。 請讓產品和電池維持在建議的操作溫度，並在使用時不要使產品過載。 若訊息持續存在，請洽詢Hilti維修中心。
一個 (1) LED亮黃燈	鋰電池和與其連接的產品不相容。請聯絡Hilti維修中心。
一個 (1) LED快速閃紅燈	鋰電池已鎖定，無法繼續使用。請聯絡Hilti維修中心。

3.4.2 顯示電池狀態

如欲檢查電池狀態，請按住拆卸鈕3秒鐘以上。系統無法偵測到電池因掉落、刺穿、外部熱損傷等錯誤使用造成的潛在功能故障。

狀態	意義
所有LED以跑馬燈形式亮起，然後一個LED持續亮起綠色。	電池仍可繼續使用。
所有LED以跑馬燈形式亮起，然後一個LED快速閃爍黃色。	無法完成有關電池狀態的查詢。請重複上述程序或洽詢Hilti維修中心。
所有LED以跑馬燈形式亮起，然後一個LED持續亮起綠色紅色。	若連接之產品仍可繼續使用，剩餘的電池容量會低於50%。 若連接之產品無法使用，表示電池已達最終使用壽命，應進行更換。請聯絡Hilti維修中心。



4 技術資料

4.1 產品特性

	SC 6WP-22
產品世代	01
重量	3.3 kg (根據EPTA-Procedure 01不含電池)
重量 (平行導規)	0.45 kg
規格 (長 x 寬 x 高)	360 mm × 200 mm × 237 mm
鋸片碟片厚度	1 mm ... 1.5 mm
最大切割深度	57 mm
無負載下額定轉速	6,000 rpm
額定電壓	21.6 V

4.2 鋸片類型及應用

鋸片類型	使用說明
萬用鋸片	木材或木質基材
細切鋸片	
纖維水泥鋸片	纖維水泥或纖維水泥基材

4.3 貯放及操作溫度

貯放溫度	-20 °C ... 70 °C
操作時的環境溫度	-17 °C ... 60 °C

4.4 電池

電池操作電壓	21.6 V
電池重量	請參閱本操作說明書結尾處
操作時的環境溫度	-17 °C ... 60 °C
貯放溫度	-20 °C ... 40 °C
電池充電啟動溫度	-10 °C ... 45 °C

4.5 噪音資訊及震動值

操作說明中所提供之音壓和震動值已參照標準測量，並可用來比較不同機具之噪音。它們也可作為噪音量的初步評估。

提供之資料表示機具主要應用時之數值。若機具應用於不同之用途，搭配不同的配件工具或在保養不良的情況下，其數據會有所不同。在作業過程中，這會大幅提高其噪音量。

當電子機具關閉，或開啟但未進行任何作業時也應列入考量，才能準確評估噪音量。在作業過程中，這會大幅降低其噪音量。

確認其他安全措施，以保護操作員不受噪音和 / 或震動影響，例如：保養機具與其配件工具、操作前保持雙手溫暖、作業型式之安排等。



關於在本處所使用 EN 62841 標準版本的詳細資訊，請查閱符合聲明之副本 316。

噪音資訊

聲功率級數 (L_{WA})	106 dB(A)
無法判定的聲功率級數 (K_{WA})	3 dB(A)
音壓級數 (L_{pA})	98 dB(A)
無法判定的音壓級數 (K_{pA})	3 dB(A)



總振動值

鋸切塑合板 ($a_{h,w}$)	B 22-55	0.9 m/s ²
鋸切鋁板 ($a_{h,M}$)	B 22-55	1.7 m/s ²
無法判定 (K)		1.5 m/s ²


5 工作場所的準備工作**警告**

有受傷的風險！因意外啟動

- ▶ 置入電池前，請確認產品已關閉。
- ▶ 在調整機具或變更配件前請先將電池拆下。

請遵守本文件中與產品上的安全說明和警告。

5.1 為電池充電

1. 電池充電前，請閱讀充電器的操作手冊。
2. 確認電池的接點和充電器的接點清潔且乾燥。
3. 請使用經認可的充電器對電池充電。  285

5.2 置入電池**警告**


有受傷的危險 因短路或電池掉落！

- ▶ 置入電池前，請確認電池的接點及產品的接點上無任何異物。
- ▶ 確認電池已確實咬合。

1. 初次使用前，請將電池完全充電。
2. 將電池推入產品中，直到聽到卡入聲。
3. 請檢查電池是否安裝牢固。

5.3 卸下電池

1. 按下電池拆卸鈕。
2. 將電池從產品卸下。

5.4 防墜安全裝置 **警告**

受傷危險 因工具和/或配件掉落所致！

- ▶ 請您務必使用本公司建議與本產品搭配使用的Hilti工具繫繩吊環。
- ▶ 每次使用前，應要檢查工具繫繩吊環的固定點有無損壞跡象。



請您遵守各國的高處作業規範。

請僅使用Hilti工具繫繩吊環#2261971，作為本產品的防墜保護。

- ▶ 如圖所示，利用環圈將工具繫繩吊環固定在本產品上。檢查其是否確實牢固。
- ▶ 將彈簧鈎扣固定在具支撐功能的結構上。檢查彈簧鈎扣是否確實牢固。



請遵守Hilti工具繫繩吊環的操作說明書。



5.5 將切入式器具置於安裝位置

切入式器具有一個安裝位置，在該位置可透過安裝窗口接觸到固定螺栓。可以透過止動機桿調整安裝位置。

若將止動機桿折回（原位），切入式器具則會回彈。握住本產品的主握把，使切入式器具在受控的情況下引導回起始位置。

1. 將本產品定位在能夠以最大切割深度切入的位置（如一桌緣）。
2. 打開裝配蓋以進行鋸片安裝。
3. 將切割深度調整裝置指示器調到最大值(1)。
4. 將止動機桿向上折（安裝位置）(2)。
5. 按住安全鎖(3)並將切入式器具插入安裝位置。
 - ▶ 切入式器具在安裝位置卡入時可聽到聲音。
 - ▶ 固定螺栓會明顯位於安裝窗口中心。

5.6 移除鋸片

警告

在鋸片、固定螺栓和夾緊凸緣上有造成燙傷、割傷的危險。可能導致燙傷和割傷。

- ▶ 更換刀片時請配戴手套。

1. 請將切入式器具置於安裝位置。 289
2. 按住主軸鎖定開關(1)。
3. 使用內六角扳手將固定螺栓鬆開(2)。

請遵循旋轉方向箭頭：沿著鋸片旋轉方向鬆開固定螺栓。

4. 取下固定螺栓和夾緊凸緣。
5. 將鋸片往下從防護罩取出。

如有需要，您可以拆下固定凸緣進行清潔。

5.7 安裝鋸片

確保欲夾緊的鋸片符合技術要求，並具有良好的銳利度。欲有完美切割，鋒利的鋸片為最基本的必要條件。每次使用前，請務必根據欲切割的材料選擇適合的鋸片。

1. 請將切入式器具置於安裝位置。 289
2. 清潔固定凸緣及夾緊凸緣(1)。
3. 從正確方向將固定凸緣安裝至驅動軸。
4. 安裝新鋸片(2)。
 - ▶ 請遵照鋸片(3)和防護罩(4)上的旋轉方向箭頭。兩個旋轉方向箭頭的方向必須一致。
5. 以正確方向安裝夾緊凸緣。
6. 旋入固定螺栓。
7. 按住主軸鎖定開關(5)。
8. 使用內六角扳手將固定螺栓旋緊(6)。

請遵循旋轉方向箭頭：沿著與鋸片相反的旋轉方向旋緊固定螺栓。


9. 檢查鋸片是否位於正確位置。
10. 請從主握把握住本產品。
11. 將鎖止機桿置於原位，並將切入式器具轉回原位(7)。
12. 關閉用於更換鋸片的裝配蓋。

5.8 活動式防塵窗

為了達到最佳排屑效果，請將防塵窗盡可能推動到靠近工件的位置。




5.9 調整切割深度 7

 切割深度應該設定為比欲切割的基材厚約5到10 mm的深度。

1. 請按住釋放裝置(1)，以進行切割深度調整。
2. 將滑塊推至所需的切割深度(2)。
 - ▶ 切割深度指示器會分別顯示有導引滑軌(3)和無導引滑軌(4)的切割狀況。
3. 請放開切割深度調整裝置的釋放鈕。

5.10 設定斜切的切割角度 3

 鎖定時不要對輔助握把或電鋸施加壓力，以避免前後角度設定不同。不同的角度設定會導致無法再筆直進行切割。


1. 鬆開切割角度調整裝置的2個固定螺栓(1)。
2. 將產品旋轉至所需的切割角度。
 - ▶ 如欲從-1°調整角度或調整超過45°（最大47°），請按住釋放鈕(2)。
3. 旋緊兩個切割角度調整裝置的固定螺栓的其中一個。
4. 旋緊切割角度調整裝置對面的固定螺栓。

5.11 調整鋸片轉速

使用與所用鋸片和加工材料相配的轉速。合適的轉速能夠避免鋸齒過熱，以及延長鋸片的使用壽命。

- ▶ 將轉速調整器轉到適當位置。

5.12 安裝平行導規 5

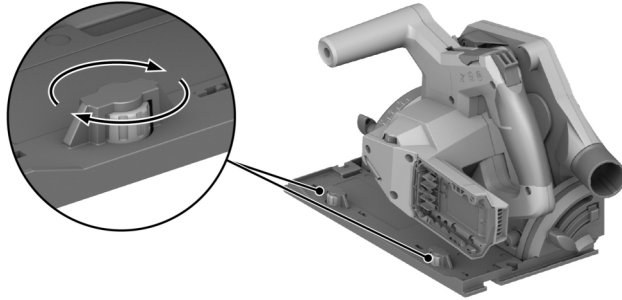
 根據其在產品上的安裝方式，平行導規可以實現兩種功能的其中一種：

- L形邊緣朝下：
平行導規可協助沿著邊緣進行一致的切割。
- L形邊緣朝上：
作為延伸底座，為無導引滑軌情況下的切割提供更穩定的控制。

1. 將兩個固定螺栓鬆開。
2. 將平行導規推入底座的安裝支座中。
3. 將平行導規調整到切割所需的距離。
 - ▶ 請確保兩邊的距離相同。
4. 將兩個固定螺栓旋緊。



5.13 將產品放置於導引滑軌上



1. 將本產品底座的凹槽放置在導引肋上。
2. 檢查導引滑軌和底座間的間隙。
3. 使用偏心螺絲(1)調整間隙：
 - ▶ 請順時針旋轉偏心螺絲，以減少間隙。
 - ▶ 請逆時針旋轉偏心螺絲，以增加間隙。
4. 請在不影響滑動的情況下，盡可能將間隙調整到最小。

6 操作

請遵守本文中與產品上的安全說明和警告。

6.1 開啟或關閉電源

開啟開關

1. 按住並往上推安全鎖開關。
2. 按住On/Off開關。
3. 鬆開安全鎖。

只要按住On/Off開關，或是切入式器具處於切入位置，安全鎖則會保持在解鎖位置。當切入式器具處於原位，且您將On/Off開關放開時，安全鎖會自動跳至鎖定位置。

關閉開關

4. 請將切入式器具放回原位。
5. 鬆開On/Off開關。

6.2 粉塵與碎屑處理

- 搭配除塵器鋸切：
將吸塵軟管接上吸塵接管，並注意除塵器操作說明中的注意事項。
- 搭配集塵袋鋸切：
將帶有轉接器的集塵袋插入除塵器的吸塵接管。

您也可以在没有除塵方式的情況下操作產品。請確認鋸末和碎屑可以自由排出。

6.3 沿線切割

僅可切割能提供底座足夠支撐面積的平面工件。

1. 固定工件防止移動，並標記切割路徑（切割線）。
2. 調整切割深度。 290



3. 使用自適應切割指示器將本產品定位在切割線上。
4. 啟動產品。 291
 - ▶ 只有在On/Off開關解鎖時，產品才能進行切入運動。
5. 將切入式器具切入工件到底(1)。
6. 以適當的速度引導產品通過工件。
7. 鋸片運行的情況下，將切入式器具轉回原位(2)。



這將防止鋸片卡在工件中。

8. 切入式器具處於原位後，請立即關閉產品。 291

6.4 執行進刀切割

1. 調整切割深度。 290
2. 將本產品放置在工件上。
3. 啟動產品。 291
 - ▶ 只有在On/Off開關解鎖時，產品才能進行切入運動。
4. 將產品切入工件到底。
5. 以適當的速度引導產品通過工件。
6. 將產品從工件中旋轉出來。
7. 切入式器具處於原位後，請立即關閉產品。 291

6.5 執行斜切（角度切割）



本產品具有自適應切割指示器，可自動調整至設定的切割角度。自適應切割指示器僅適用於無導引滑軌的切割。使用導引滑軌切割時，由於設計的原因，切割線將不受設定的切割角度影響。

1. 設定斜切的切割角度。 290
2. 使用自適應切割指示器將本產品定位在切割線上。
3. 啟動產品。 291
4. 將切入式器具切入工件中。
5. 沿著導引滑軌引導產品切割工件。

6.6 利用導引滑軌鋸切

1. 使用2個螺絲夾固定導引滑軌。
2. 將帶有凹槽的底座放置在導引滑軌的導引肋上。
3. 設定斜切的切割角度。 290
4. 調整切割深度。 290
5. 啟動產品。 291
6. 將切入式器具切入工件中。
7. 沿著導引滑軌引導產品切割工件。

7 維護及保養



警告

電池裝入時有受傷的危險！

- ▶ 進行維護及保養前，請務必卸下電池！

產品保養

- 小心地清除頑強的髒污。
- 若有，請使用乾燥的軟刷子小心地清潔通風口。
- 僅可使用微濕的軟布清潔機殼。請勿使用含矽膠的清潔或亮光劑，因為可能會造成塑膠零件損壞。
- 請使用乾淨的乾布清潔產品的接點。

鋰電池的保養

- 通風口堵塞時請勿使用電池。請使用乾燥的軟刷子小心地清潔通風口。



- 請避免電池暴露在粉塵或髒污的環境之中。請勿讓電池接觸過高的濕氣（例如：浸入水中或淋雨）。電池若濕透，請將該電池視為已受損。請將電池隔絕在不可燃的容器內，並洽詢Hilti維修中心。
- 避免電池沾上油脂。避免讓電池上積聚粉塵或髒污。請使用乾燥的軟刷或乾淨的乾布清潔電池。請勿使用含矽膠的清潔或亮光劑，因為可能會造成塑膠零件損壞。請勿觸摸電池的觸點或從觸點上去除出廠塗敷的油脂
- 僅可使用微濕的軟布清潔機殼。請勿使用含矽膠的清潔或亮光劑，因為可能會造成塑膠零件損壞。

維護

- 定期檢查外部零件和控制元件有無損壞跡象，並確認它們運作正常。
- 如果有損壞跡象及/或任何零件功能故障，請不要運行本產品。請將產品交付Hilti維修中心進行維修。
- 維護及修復作業後，裝上所有保護裝置並檢查功能是否正常。



為確保運作的安全及可靠性，請務必使用原廠Hilti備件與耗材。您可以在Hilti Store或在以下網站選購Hilti認可的備用零件、耗材和配件：www.hilti.group

7.1 清潔防護套

1. 用乾燥的刷子仔細清潔防護套的零件。
2. 使用合適的工具去除防護套零件內側表面附著的沉積物或切片。

7.2 清潔碎屑排出槽

1. 若您安裝了一個除塵器在吸塵接管上，請將吸塵軟管從吸塵接管上拔除。
2. 使用刷子清潔碎屑排出槽。

8 充電式機具和電池的運輸與存放

搬運



注意

搬運時意外啟動！

- ▶ 搬運產品時務必卸下電池！
- ▶ 取出電池。
- ▶ 切勿散裝運輸電池。運送過程中，應保護電池避免衝擊與震動並與導電物質或其他電池隔離，以免因與電池端子接觸而造成短路。請遵守您所在地當地的電池運輸規範。
- ▶ 請勿以郵寄方式遞送電池。若要運送未損壞之電池，請洽詢運送服務商。
- ▶ 每次使用前以及長途運輸前後請檢查本產品和電池是否受損。

設備的貯放



警告

瑕疵或漏液的電池所造成的意外損害！

- ▶ 存放產品時，一律不可插入電池！
- ▶ 請將本產品和電池存放在陰涼及乾燥處。請遵守技術性數據中所規定的溫度極限值。
- ▶ 請勿將電池貯放在充電器中。完成充電程序後，請將電池從充電器取出。
- ▶ 請勿將電池存放在有日光直射處、熱源上或玻璃後方。
- ▶ 請將本產品和電池存放在兒童或未授權人員無法觸及的地點。
- ▶ 每次使用前以及長時間存放前後請檢查本產品和電池是否受損。

9 故障排除

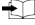
若出現任何故障，請注意充電電池的狀態指示器。請參閱鋰電池指示器章節。



若您遇到未列出的問題或是無法自行排除的問題，請聯絡Hilti維修中心。

故障	可能原因	解決方法
無法按下On/Off開關，或開關卡住。	非故障（安全功能）。	▶ 按下安全鎖。




故障	可能原因	解決方法
運轉速度突然急速下降。	電池已放電。	▶ 為電池充電。
	推進壓力過高。	▶ 降低推進壓力再重新啟動產品。
無吸塵功率或吸塵功率降低	碎屑排出槽阻塞。	▶ 清潔碎屑排出槽。  293
安裝鋸片後，產品沒有自動重新啟動。	過載斷電保護系統已啟動。	▶ 再次按下安全鎖及On/Off開關。
電池咬合時不會發出喀啦聲。	電池上的卡榫太髒。	▶ 清潔卡榫並重新安裝電池。
產品比平常震動更強烈。	鋸片未正確安裝。	▶ 拆解鋸片並重新裝上。
電池的LED未亮起	電池故障	▶ 聯絡Hilti維修中心。

10 廢棄設備處置

警告

不當的廢棄物處理可能導致人員受傷！洩漏出來的氣體或液體有害健康。

- ▶ 請勿以郵寄方式寄送電池。
- ▶ 將電池端子蓋上不導電物質（例如絕緣膠帶）以避免短路。
- ▶ 請將電池棄置於兒童無法觸及的地方。
- ▶ 請將該電池送交Hilti Store處理或洽詢權責的廢棄處理公司。

 Hilti產品所採用的材料大部分均可回收再利用。材料在回收前必須正確地分類。Hilti在許多國家都有提供老舊機具回收服務。請洽詢Hilti客服中心或您在地的經銷商。



- ▶ 不可將電動工具、電動裝置和電池當成一般垃圾丟棄！

11 製造商保固

- ▶ 如果您對於保固條件有任何問題，請聯絡當地Hilti代理商。

Hilti Taiwan Co., Ltd.

24F., No. 16, Xinzhan Rd., Banqiao Dist., New Taipei City 220, Taiwan (R.O.C.)

Tel. 0800-221-036

12 其他資訊

有關於操作、技術、環境和回收的更多資訊，請參訪以下連結：



qr.hilti.com/manual?id=2276609&id=2276671

您也可在文件最後找到本連結的QR碼。

原版操作說明

1 關於本操作說明的信息

1.1 關於本操作說明

- **警告！** 在使用本產品之前，請確保您已閱讀並理解產品隨附的操作說明，包括說明、安全和警告通知、插圖和規格。尤其要熟悉所有說明、安全和警告通知、插圖、規格、組件和功能。否則可能會導致触电、火災和/或嚴重傷害的風險。保存操作說明，包括所有說明、安全和警告通知，以供以後使用。
-  產品經設計適用於專業用戶，只有經過專門訓練的授權人員才允許操作、維修和維護本產品。必須將任何可能的危險專門告知該人員。不按照說明使用或由未經培訓的人員不正確地使用本產品及其輔助設備可能會帶來危險。
- 隨附的操作說明符合印刷時的最新技術水平。始終在 Hilti 產品頁面上在线查找最新版本。為此，請點擊這些操作說明中標有  符號的鏈接或二維碼。
- 僅將產品連同本操作說明一起交給他人。



1.2 所用标志的说明

1.2.1 警告

警告是为了提醒您您在处理或使用此产品时会发生的危险。使用以下信号词：



危险！

- ▶ 用于让人们能够注意到会导致严重身体伤害或致命的迫近危险。



警告！

- ▶ 用于提醒人们注意可能导致严重或致命伤害的潜在危险。



小心！

- ▶ 用于提醒人们注意可能造成人身伤害、设备损坏或其他财产损失的潜在危险情况。

1.2.2 操作说明中的符号

本操作说明中使用下列符号：

	遵守操作说明
	使用说明和其他有用信息
	处理可回收材料
	不得将电气设备和电池作为生活垃圾处置
	Hilti 锂离子电池
	Hilti 充电器

1.2.3 图示中的符号

图示中使用了下列符号：

	这些编号指本操作说明开始处的相应图示。
	图示中的编号反映操作顺序，可能与文本中描述的步骤不同。
	位置编号被用于概览图中并表示产品概览段落中的图例编号。
	这些字符旨在提醒您特别注意操作本产品时的某些要点。

1.3 与产品相关的符号

1.3.1 一般符号

与产品搭配使用的符号。

n_0	额定空载转速
— — —	直流电 (DC)
➔	箭头指示的旋转方向
RPM	每分钟转数
∅	直径



	锯片
	本产品支持无线数据传输，兼容 iOS 和 Android 平台。
	如果产品上有，则表示该产品已经通过该认证机构根据适用标准获得了美国和加拿大市场的认证。
Li-Ion	锂离子电池
	切勿将电池用作敲击工具。
	请勿让电池掉落。切勿使用受到撞击或有任何损坏的电池。

1.3.2 强制性标志

产品上使用以下强制性标志：

	佩戴护目镜
--	-------

2 安全

2.1 一般电动工具安全警告

警告 请阅读本电动工具随附的所有安全警告、说明、图示和技术规范。不遵守下列所有操作说明可能会导致电击、火灾和/或严重人身伤害。

请保存所有安全警告和操作说明，以供将来参考。

在所有下列的警告中术语“电动工具”指市电驱动(有线)电动工具或电池驱动(无线)电动工具。

工作区域安全

- ▶ 保持工作区域清洁和良好照明。杂乱和黑暗的区域容易导致事故。
- ▶ 不要在爆炸性环境中操作电动工具，例如有易燃液体、气体或灰尘。电动工具会产生可以点燃这些灰尘或烟雾的火花。
- ▶ 在操作电动工具时，要令儿童和旁观者远离工作现场。万一分心，可能会使您失去对电动工具的控制。

电气安全

- ▶ 电动工具(设备)插头必须匹配电源插座。切勿以任何方式改动插头。对于接地的电动工具(设备)，不要使用任何适配器插头。使用未经改动的插头和匹配的电源插座可以大大减少电击危险。
- ▶ 避免人体接触接地表面，如管道、散热片和冰箱。如果您的身体接地，则会增加电击危险。
- ▶ 不要将电动工具暴露在雨水或潮湿环境中。电动工具进水将会增加电击危险。
- ▶ 不要滥用电缆。切勿使用电缆运送、拉动或拔出电动工具。保持电缆远离高温、油、锋利边缘或运动部件。电缆损坏或缠绕会增加电击危险。
- ▶ 当在户外操作电动工具时，应使用经认可适合户外操作的加长电缆。使用适合户外使用的电缆可减少电击危险。
- ▶ 如果在潮湿环境下操作电动工具是不可避免的，应使用剩余电流动作保护器(RCD)。使用 RCD 可减小电击危险。

人身安全

- ▶ 保持警觉，注意您正在进行的工作，并在操作电动工具的过程中，应利用自己的判断能力。当您疲劳或受到药物、酒精或医疗影响时，请不要使用电动工具。当操作电动工具时，瞬间的分心都可能导致严重的人身伤害。
- ▶ 使用个人防护装备。一定要戴上护目装置。安全装置，诸如适当条件下使用防尘面具、防滑安全鞋、安全帽、听力防护等装置能减少人身伤害。
- ▶ 防止电动工具意外启动。在连接至电源和/或电池组、拿起或搬运电动工具之前，应确保开关处于“关闭”位置。将手指放在开关上搬运电动工具或在开关处于“打开”位置时接通电源，都可能会导致事故发生。
- ▶ 在打开电动工具之前，必须拿掉任何调整键或扳手。让扳手或调整键留在电动工具的旋转部件上可能会导致人身伤害。
- ▶ 不要操之过急。应时刻保持正确的站姿和平衡。这在意外情况下能够更好地控制电动工具。
- ▶ 应确保正确着装。不要穿着松垮的衣服或佩戴首饰。让头发和衣服远离运动部件。松垮的衣服、首饰或长发会卡在运动部件中。
- ▶ 如果提供有用于连接除尘和集尘设施的装置，应确保将它们连接好并正确使用。使用除尘装置可以减少与灰尘相关的危险。



- ▶ 经常使用工具能令您获得较高的熟练度，但不能因此掉以轻心和忽视工具安全准则。一次不慎操作就会在瞬间导致重伤。

电动工具的使用和维护

- ▶ 不要强制使用电动工具。针对您的应用场合使用正确的电动工具。正确的电动工具在其额定设计值范围内将能够更好和更安全地工作。
- ▶ 如果通过开关不能使其打开和关闭，则请不要使用电动工具。任何不能通过开关进行控制的电动工具都是危险的，必须对其进行修理。
- ▶ 在进行任何调整、更换配件或存放电动工具之前，应从电源上断开插头和/或从电动工具上拆下电池组（若可拆卸）。此预防性安全措施可减少意外启动电动工具的危险。
- ▶ 将不用的电动工具存放在儿童拿不到的地方，并且不要让不熟悉电动工具或其操作说明的人员操作电动工具。未经培训的用户操作电动工具是危险的。
- ▶ 维护电动工具和配件。检查是否存在运动部件失调或卡滞、部件断裂和任何其它影响电动工具操作的情况。如果存在损坏，则在使用之前应修理电动工具。许多事故都是由于电动工具维护不良造成的。
- ▶ 保持切削工具锋利和清洁。带锋利切削刃的切削工具如果维护得当，很少会发生卡滞且更容易控制。
- ▶ 按照使用说明书，考虑作业条件和进行的作业来使用电动工具、附件和工具的刀头等。将电动工具用于指定用途以外的场合会导致危险。
- ▶ 使手柄和抓握面保持干燥、清洁且没有油脂。如果手柄和抓握面打滑，将无法在意外情况下安全操作或控制本工具。

无绳（电池操作）工具/设备的使用和维护

- ▶ 充电时只能使用制造商指定的充电器。适合某种类型电池组的充电器如果被用于为另一类型电池组充电，则可能会带来火灾危险。
- ▶ 只能使用专用电池组为电动工具供电。使用任何其它电池组可能会带来人身伤害和火灾。
- ▶ 当电池组不用时，应使其远离其它金属物体，例如纸夹、硬币、钥匙、钉子、螺钉或其它小的金属物体，以免造成短路。如果电池端子被短路，则会造成人员烧伤或火灾。
- ▶ 如果持续滥用电池，则可能会造成液体从电池中喷射出来；注意避免接触到液体。如果意外接触到液体，应用水冲洗。如果液体接触眼睛，除了用大量清水冲洗外，还应立即就医。从电池中喷射出来的液体会导致疼痛或灼伤。
- ▶ 不要使用损坏或改装过的电池组或工具。损坏或改装过的电池会造成不可预测的情形，导致火灾、爆炸或受伤风险。
- ▶ 不要将电池组或工具暴露在明火或过高的温度中。暴露在明火或超过 130 °C (265 °F) 温度中可能导致爆炸。
- ▶ 遵守所有充电说明，且不要在使用说明规定的温度范围之外对电池组或工具充电。充电不正确或在规定温度范围之外充电会损坏电池并增加火灾风险。

保养

- ▶ 将您的电动工具送交专业维修人员，使用同样的备件进行修理。这样才能确保维持电动工具（设备）的安全性。
- ▶ 切勿擅自维修损坏的电池组。仅可由制造商或授权服务提供商执行电池组的维修。

2.2 有关所有圆锯的安全说明

锯切过程

- ▶ **⚠ 危险：**应保持双手远离割切区域和锯条。用另一只手握住辅助手柄或电动机壳体。双手握紧圆锯时不会被锯片割伤。
- ▶ 不要将锯伸入工件下方进行锯切。防护罩无法保护您免受工件下方的锯片的伤害。
- ▶ 根据工件厚度调节锯切深度。在工件的下方应不能看到锯齿的全部长度。
- ▶ 切勿单手或把持工件或放在腿上。应将工件固定在坚固的支架上。重要的是牢牢固定住工件，以最大限度地减少身体接触，降低锯片卡住或失控的风险。
- ▶ 如果配套工具的工作区域可能接触到隐藏的线束，只能握住电动工具的绝缘把手表面进行操作。接触到带电导线会使电动工具的金属件带电，从而使操作者受到电击。
- ▶ 纵向切割时，请始终使用挡块或直边导轨。这可改善切割的精度，并降低粘锯的可能性。
- ▶ 请始终使用尺寸正确且带合适定位孔（比如星形或圆形）的锯片。与圆锯安装硬件不匹配的锯片将会离心运行，从而失去控制。
- ▶ 切勿使用损坏或不正确的锯片垫圈或螺栓。锯片垫圈和螺栓专为您的圆锯而设计，以获得最佳的性能和操作安全。

反冲 - 原因及相应安全说明

- 反冲是锯片被钩住、夹住或未对准的一种突然反应，这会导致圆锯失控地脱离工件朝操作人员方向移动；
- 当锯片在封闭的锯口中被钩住或卡住时，圆锯会被锁止且被电动力推向操作人员；



- 如果锯片在锯切中扭转或未对准，则锯片后边缘上的齿可能会卡在工件表面，从而导致锯片从锯口中移出，且圆锯朝操作人员方向弹回。

锯片使用不当和/或操作程序或条件不正确都可能会导致反冲。反冲可以通过采取以下预防措施加以避免。

- ▶ **双手紧紧握住圆锯，将手臂置于可以吸收反冲力的位置。身体应站在锯条的一侧，切勿与锯条在一条线上。**发生反冲时，圆锯可能向后跳，但操作人员可以采取适当的预防措施来控制反冲力。
- ▶ **如果锯片卡住，或出于任何原因中断操作时，请关闭圆锯，使其在物料中保持不动，直至锯片完全停下来。**当锯条运动时，切勿试图从工件中移走锯或向后拔动锯，否则锯条会发生反冲。查找并采取正确的纠正措施消除锯片夹住的原因。
- ▶ **在工件中重新启动锯时，将锯条置于锯口中心，检查并确认锯齿未切入工件中。**如果锯片被夹住，则可能在重新启动圆锯时导致锯片从工件中移出或产生反冲。
- ▶ **支撑住大型面板，以降低因锯片被夹住而产生反冲的风险。**大型面板在其自身重量下有下陷的趋势。必须在靠近锯口和边缘的两侧都支撑住面板。
- ▶ **不要使用不锋利/钝化或损坏的锯条。**如果锯片的锯齿变钝或未对齐，则可能会因为锯口过窄而导致摩擦力增大，导致锯片被夹住和反冲。
- ▶ **锯切前，先拧紧锯片深度和锯片角度调节锁紧杆。**如果锯条正在切割时，设置发生改变，锯条会卡滞，导致发生反冲。
- ▶ **当锯入墙壁或其它盲区时，应极其小心。**因为锯进入物料时可能会碰到隐藏障碍，导致发生反冲。

防护罩的功能

- ▶ **每次使用前，请检查防护罩是否正确关闭。**如果防护罩不能自由运动和无法即刻闭合，则不得使用圆锯。切勿夹住或系紧防护罩；这可能会使锯片失去保护。如果圆锯意外掉落，则防护罩可能会弯曲。确保防护罩自由移动且在任意切割角度和深度下都不会触碰到锯片或其他部件。
- ▶ **检查防护罩弹簧的状态和功能。**如果防护罩和弹簧不能正常工作，请在使用圆锯前进行维护。损坏的零件、粘性沉积物或堆积的碎屑都会令下部防护罩反应延迟。
- ▶ **进行非直角“切入式锯切”时，请避免圆锯底座向侧面滑动。**侧面移动可能会导致锯片被夹住，进而造成反冲。
- ▶ **请勿在防护罩未遮盖锯片的情况下将圆锯放在工作台或地面上。**未受保护的后锯片会逆着切割方向移动圆锯，并锯切任何挡在它前面的东西。同时注意圆锯的惯性运转时间。

2.3 附加安全说明

人身安全

- ▶ 切勿以任何方式篡改或改动本电动工具或附件。
- ▶ 只能将电动工具与其配套的安全装置一起使用。
- ▶ 如果在没有除尘系统的情况下操作本电动工具，请在执行会产生粉尘的操作时始终佩戴一个轻便的呼吸保护装置。
- ▶ 应始终用双手通过提供的手柄牢牢握住本电动工具。
- ▶ 戴上护耳装置。如果直接暴露在噪音中，则可能会导致听力受损。
- ▶ 在工间休息期间，可放松双手和锻炼手指，以改善手指的血液循环。
- ▶ 本电动工具不得由未接受过特殊培训的体弱人员使用。
- ▶ 只有将本电动工具置于工作位置后，才可以在工位上开机。
- ▶ 当电动工具出现问题或更换配套工具或附件时以及存放和运输时，请移除电池。
- ▶ 不要使用本电动工具在头顶上方进行作业。
- ▶ 不要尝试通过对锯片施加侧向压力来对本电动工具进行制动。
- ▶ 安装电池之前，请确保圆锯已关闭，并且开机锁已卡止。由此避免电动工具意外启动导致的受伤。
- ▶ 电动工具运行时不得触摸夹紧法兰或夹紧螺栓。
- ▶ 放下电动工具前，请等待至锯片完全停下。
- ▶ 更换配套工具前，请等待至电动工具已冷却。
- ▶ 锯片旋转时，切勿操作主轴锁止装置。
- ▶ 切勿将本电动工具引向他人。
- ▶ 更换附件或电池时，运输或存放电动工具时，开机锁必须始终保持卡止状态。
- ▶ 始终使用与材料和工件属性相匹配的锯片。
- ▶ 切勿在本电动工具上安装任何形式的砂轮。
- ▶ 只有当本电动工具接通时，才能使其与工件接触。
- ▶ 调节对锯片和所切割材料施加的压力。从而避免锯片卡住和可能会产生的反冲。
- ▶ 避免锯片齿尖过热。
- ▶ 配套工具的额定转速必须至少等于电动工具上标记的最大转速。如果附件旋转快于其额定转速，则可能会导致其断裂和飞离电动工具。
- ▶ 请勿在灰尘严重的环境中工作。



- ▶ 磨削、抛光、切割和钻孔过程中产生的粉尘可能包含有害化学物质。一些例子包括：铅或铅基涂料；砖、混凝土、其他砖石产品、天然石材和其他含硅酸盐的产品；一些木材，例如橡木、山毛榉和化学处理过的木材；石棉或含石棉的材料。根据所处理材料的危险等级，确定操作员和附近人员的暴露程度。采取必要的措施将暴露保持在安全水平内，例如使用集尘系统或佩戴适当的呼吸防护装置。减少暴露的一般措施包括：
 - ▶ 在通风良好的区域进行操作。
 - ▶ 避免长时间接触粉尘。
 - ▶ 清除脸部和身体上的粉尘。
 - ▶ 穿着防护服并用肥皂和水清洗暴露的部位。
- ▶ 请您和工作区域内的所有其他人员始终佩戴符合应用要求的呼吸防护面具。
- ▶ 在使用本电动工具期间，请您和工作区域内的所有其他人员佩戴合适的护目镜、安全帽、护耳装置、防护手套和安全鞋。
- ▶ 在开始工作之前，应测定会产生的灰尘的危险等级。使用具有官方认可防护等级的工业吸尘器，并遵守当地适用的灰尘防护规定。
- ▶ 注意本国劳动保护要求。
- ▶ 使用夹子或者其他物理方式将工件固定并支撑在一个稳定的位置上。用手或者靠着身体持住工件，使工件处于不稳定状态，可能导致失控的危险。切勿让其他人固定工件。
- ▶ 切勿切割未知材料，并确保工件上部和下部的切割线处无任何障碍物。如果锯片触碰到障碍物，本电动工具会发生反冲。
- ▶ 工具和/或附件掉落会带来人身伤害的危险。在开始工作之前，检查安装的附件是否已固定牢固。
- ▶ 使用除尘器进行锯切作业时，避免触碰防尘罩或吸尘软管。对于产生大量灰尘的材料，可能会增加静电触电的风险。
- ▶ 请确保锯切路径上无障碍物，例如钉子、螺栓或者其他金属件。
- ▶ 请仅使用 Hilti 推荐的符合 EN 847-1 标准的锯片。
- ▶ 请在锯切塑料时避免工件过热并熔化。

电气安全

- ▶ 在开始工作之前，应检查工作区域（例如使用探测器），以确保没有隐藏的电缆或煤气管和水管。本电动工具的外部金属件可能带电，例如在电缆意外损坏时。这增加了电击的危险。

2.4 小心处理和使用电池

- ▶ 请遵守以下关于安全操作和使用锂离子电动工具电池的安全提示。若未能遵守，会导致皮肤刺激、严重的腐蚀伤、化学烫伤、火灾和/或爆炸。
- ▶ 只有电池处于良好的技术状态时才能使用。
- ▶ 请小心地处理电池，以防损坏电池和避免对健康极有害的液体泄漏！
- ▶ 严禁改装或篡改电池！
- ▶ 不要分解、挤压或焚烧电池，不要将其暴露在高于 80 °C (176 °F) 的温度条件下。
- ▶ 对于遭受过撞击或有其他损坏的电池，切勿使用或对其进行充电。定期检查电池是否有损坏的迹象。
- ▶ 切勿使用回收的或修理过的电池。
- ▶ 切勿将电池或电池供电的电动工具用作锤子。
- ▶ 切勿将电池暴露在直射的阳光下、高温、火花或明火中。可能会导致爆炸。
- ▶ 切勿用手指、工具、珠宝或其他导电物体接触电池极片。否则会损坏电池，造成财产损失和人身伤害。
- ▶ 确保电池远离雨水、潮气和液体。受潮会导致短路、漏电、燃烧、火灾或爆炸。
- ▶ 仅限使用经批准用于特定电池类型的充电器和电动工具。阅读并遵守相关操作说明中的规定。
- ▶ 不得在易爆环境中存放或使用电池。
- ▶ 如果电池发热烫手，则可能有故障。请将电池放在醒目且无火灾风险的地方，并与易燃物品保持足够距离。让电池自行冷却。如果一小时后电池仍然发热烫手，则表示存在故障。请联系 Hilti 维修中心或阅读文档“有关 Hilti 锂离子电池安全性和使用的提示”。

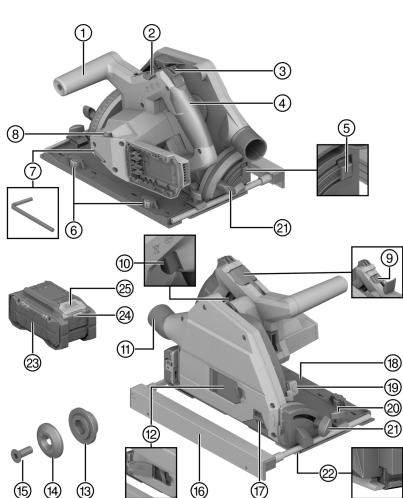


请遵守适用于锂离子电池运输、存储和使用的特殊准则。 308

请通过扫描该操作说明末尾的二维码来阅读有关 Hilti 锂离子电池安全性和使用的提示。



3.1 产品概览



- ① 辅助手柄
- ② 锯片更换锁定杆
- ③ 开机解锁按钮
- ④ 主手柄
- ⑤ 切割角度 -1° 和 47° 的解锁按钮
- ⑥ 间隙平衡调节杆
(底板中导轨和导槽之间的间隙)
- ⑦ 内六角扳手
- ⑧ 锯片转速调节轮
- ⑨ 主轴锁止装置
- ⑩ 电源开关
- ⑪ 排屑装置 / 管接头
- ⑫ 锯片更换装配翻板
- ⑬ 固定法兰
- ⑭ 夹紧法兰
- ⑮ 夹紧螺栓
- ⑯ 锯栅
- ⑰ 可移动的防尘窗
- ⑱ 底板
- ⑲ 切深调节
- ⑳ 锯栅夹紧螺栓
- ㉑ 切割角度调节夹紧螺栓
- ㉒ 自适应切割指示器
- ㉓ 电池
- ㉔ 电池状态指示器
- ㉕ 电池解锁按钮

3.2 合规使用

所述的产品是无绳切入式圆锯。它专门用于以下材料的锯切作业和切入式切割：

- 木材或类似木材的材料
- 塑料
- 石膏板
- 纤维水泥板
- 有色金属

本产品设计用于木工作业和室内装修工作。

手持式圆锯配有一个选装除尘设施接头，可连接常见的吸尘器软管。必须使用合适的适配器以将吸尘器软管连接至圆锯。

仅使用产品许用的且与技术数据中的信息相符的锯片（比如直径、转速、厚度、物料等）。禁止使用由高合金高速钢（HSS）制成的磨削和切割砂轮。

仅可锯切为底座提供足够大支撑面的平整工件。

- 本产品只能与 Hilti B 22 系列锂离子电池搭配使用。Hilti 建议为本产品使用本操作说明末尾表格中给出的电池。
- 此类电池仅限使用本操作说明末尾所述及型号系列的 Hilti 充电器充电。

3.3 包装清单

无绳圆锯，锯片，操作说明



经认证可配合本产品使用的其它系统产品，可以通过您当地的 **Hilti Store** 购买或通过以下网址订购：
www.hilti.group



3.4 锂离子电池指示灯

Hilti Nuron 锂离子电池可以显示电池的充电状态、出错信息和状态。

3.4.1 充电状态和出错信息的显示



人身伤害的危险！电池掉落的危险！

- ▶ 在插入电池的情况下按下解锁按钮后，确保将电池重新正确锁定在所用的产品中。

请短暂按压电池的解锁按钮，以获得下列指示灯指示之一。

只要连接的产品已接通，便会持续显示充电状态和可能的故障。

状态	含义
四个 (4) LED 灯持续亮起绿光	充电状态：100 % 至 71 %
三个 (3) LED 灯持续亮起绿光	充电状态：70 % 至 51 %
两个 (2) LED 灯持续亮起绿光	充电状态：50 % 至 26 %
一个 (1) LED 灯持续亮起绿光	充电状态：25 % 至 10 %
一个 (1) LED 灯缓慢闪绿光	充电状态：< 10%
一个 (1) LED 灯快速闪绿光	锂离子电池电量耗尽。为电池充电。 如果在为电池充电后 LED 灯始终快速闪烁，请联系 Hilti 维修中心。
一个 (1) LED 灯快速闪黄光	锂离子电池或与其相连的产品过载、过热、过冷或存在其他故障。 使产品和电池达到建议的工作温度，并且在使用时不要使产品过载。 如果信息仍然存在，请联系 Hilti 维修中心。
一个 (1) LED 灯亮起黄光	锂离子电池和连接的产品不兼容。请联系 Hilti 维修中心。
一个 (1) LED 灯快速闪红光	锂离子电池被锁定且无法继续使用。请联系 Hilti 维修中心。

3.4.2 电池状态的显示

如要检查电池状态，请按住解锁按钮三秒钟以上。系统未检测到由于掉落、刺穿、外部热损坏等错误使用而引起的电池潜在故障。

状态	含义
所有 LED 灯都作为运行灯亮起，接着有一个 (1) LED 灯持续亮绿光。	电池可以继续使用。
所有 LED 灯都作为运行灯亮起，接着有一个 (1) LED 灯快速闪黄光。	未能完成电池状态的查询。请重复该过程或联系 Hilti 维修中心。
所有 LED 灯都作为运行灯亮起，接着有一个 (1) LED 灯持续亮红光。	如果仍然可以继续使用所连接的产品，则电池剩余电量不足 50%。 如果无法再使用所连接的产品，则电池的使用寿命即将结束，应予以更换。请联系 Hilti 维修中心。

4 技术数据

4.1 产品特性

	SC 6WP-22
产品代次	01
重量	3.3 kg (根据 EPTA-Procedure 01, 不含电池)
重量 (锯栅)	0.45 kg
尺寸 (长×宽×高)	360 mm × 200 mm × 237 mm



	SC 6WP-22
锯条圆盘厚度	1 mm ... 1.5 mm
最大切深	57 mm
额定空载转速	6,000 rpm
额定电压	21.6 V

4.2 锯片类型和应用

锯片类型	应用提示
通用型锯片 精切锯片	木材或基于木材的材料
纤维水泥锯片	纤维水泥或基于纤维水泥的材料

4.3 仓储和运行温度

存放温度	-20 °C ... 70 °C
适合工作的环境温度	-17 °C ... 60 °C

4.4 电池

电池工作电压	21.6 V
电池重量	参见操作说明结尾
适合工作的环境温度	-17 °C ... 60 °C
存放温度	-20 °C ... 40 °C
电池充电起始温度	-10 °C ... 45 °C



4.5 噪声信息和振动值

这些说明中给出的声压和振动值按照标准化测试的要求测得，可用于比较一种电动工具与另一种电动工具。它们还可用于初步评价受振动影响的程度。

提供的数据代表本电动工具的主要应用。但是，如果将电动工具用于不同的应用、使用不同的配套工具或维护不良，则数据可能不同。这可能会显著增加操作者在整个工作期间受振动影响的程度。

对受振动影响程度的准确估计还应考虑当关闭电动工具或当它运行但实际未进行工作时的情况。这可能会显著减小操作者在整个工作期间受振动影响的程度。

此外，应确定附加安全措施，以保护操作者免受噪音和/或振动影响，例如：正确维护电动工具和配套工具、保持双手温暖、制订合理的工作计划等。

 关于此处所使用的 **EN 62841** 标准版本的详细信息，请查看符合性声明图示  316。

噪音信息

声功率级 (L_{WA})	106 dB(A)
声功率级的不确定性系数 (K_{WA})	3 dB(A)
声压级 (L_{pA})	98 dB(A)
声压级的不确定系数 (K_{pA})	3 dB(A)

总振动值

锯切刨花板 (a_h, w)	B 22-55	0.9 m/s ²
锯切铝板 (a_h, M)	B 22-55	1.7 m/s ²
不确定性系数 (K)		1.5 m/s ²



5 工作现场的准备工作


-警告-

人身伤害的危险！意外启动的风险！

- ▶ 插入电池前，确保已关闭产品。
- ▶ 对电动工具执行任何调节或更换配件前，先取出电池。

请遵守本文档中以及产品上的安全说明和警告。

5.1 给电池充电

1. 为电池充电之前，请阅读充电器的操作说明。
2. 确保电池和充电器上的触点均清洁、干燥。
3. 使用认可的充电器为电池充电。  300

5.2 插入电池

-警告-

人身伤害的危险 短路或电池掉落会带来人身伤害的危险！

- ▶ 装入电池之前，确保电池和产品上的触点上均无异物。
 - ▶ 确保电池接合正确。
1. 在首次使用电池之前，要给电池完全充电。
 2. 将电池推入产品，直至听到卡止声。
 3. 检查并确认电池已可靠就位。

5.3 拆下电池

1. 按下电池释放按钮。
2. 从产品中取出电池。

5.4 防坠落装置

-警告-

人身伤害的危险 会带来人身伤害的危险！

- ▶ 请只是为您的产品推荐的 Hilti 工具绳索。
- ▶ 在使用前请检查工具绳索的固定点有无损坏。



注意高空作业的国家法规。

仅使用 Hilti 工具挂绳 #2261971 作为本产品的防坠落保护装置。

- ▶ 如图所示，通过圆环将工具挂绳固定到产品上。检查是否已牢牢固定。
- ▶ 将弹簧钩固定到支撑结构上。检查弹簧钩是否已牢牢固定。



请遵守 Hilti 工具挂绳的操作说明。

5.5 将切入单元调至装配位置



切入单元有一个装配位置，在该位置上，可以通过装配窗接触到夹紧螺栓。可以通过锁定杆设置装配位置。

折回锁定杆时（基本位置），切入单元会回弹。握住产品的主手柄，以可控的方式将切入单元引导至初始位置。

1. 将产品放置在能以最大切深切入的位置（如工作台边缘）。
2. 打开锯片装配所需的装配翻板。
3. 将切深调节指示器调到最大值 (1)。



4. 将锁定杆向上翻折 (装配位置) (2)。
5. 按压并按住开机锁 (3)，然后将切入单元切入至装配位置。
 - ▶ 可以听到切入单元卡止在装配位置上。
 - ▶ 可以看见夹紧螺栓位于装配窗的中心位置。

5.6 取下锯片



-警告-

锯片、夹紧螺栓和夹紧法兰有烧伤和割伤风险 可能导致烧伤和割伤。

- ▶ 更换锯片时应佩戴防护手套。

1. 将切入单元调至装配位置。 303
2. 按住主轴锁止装置 (1)。
3. 使用内六角扳手松开夹紧螺栓 (2)。



通过旋转方向箭头进行定位：沿锯片旋转方向松开夹紧螺栓。

4. 移除夹紧螺栓和夹紧法兰。
5. 将锯片朝下从防护罩上取出。



如有需要，可取下固定法兰进行清洁。

5.7 安装锯片

请确保保持夹紧的锯片符合技术要求且足够锋利。锋利的锯片对于精确切割是必需的。

每次应用前，务必根据待切割材料选择合适的锯片。

1. 将切入单元调至装配位置。 303
2. 清洁固定法兰和夹紧法兰 (1)。
3. 将固定法兰正确无误地插到驱动主轴上。
4. 安装新的锯片 (2)。
 - ▶ 注意锯片 (3) 和防护罩 (4) 上的旋转箭头方向。两个旋转箭头的方向必须一致。
5. 按照正确的定位安装夹紧法兰。
6. 拧入夹紧螺栓。
7. 按住主轴锁止装置 (5)。
8. 使用内六角扳手拧紧夹紧螺栓 (6)。



通过旋转方向箭头进行定位：逆锯片旋转方向拧紧夹紧螺栓。

9. 检查锯片的位置是否正确。
10. 通过主把手握住产品。
11. 将止动杆调到基本位置，并将切入单元翻回到基本位置 (7)。
12. 关闭锯片装配所需的装配翻板。

5.8 可移动的防尘窗

为了获得最佳的切屑抽排效果，请始终将防尘窗尽量靠近工件。

5.9 调节切深



切深应始终设置为比待切割材料的厚度厚约 5 至 10 mm。

1. 按压并按住切深调节解锁装置 (1)。
2. 将滑块移至所需切深 (2)。
 - ▶ 切深指示器分别显示带导轨 (3) 和不带导轨 (4) 的切深。
3. 松开切深调节解锁装置。



5.10 调节斜切的切割角度



- 拧紧时不要对辅助手柄或锯机施加压力，以避免前后角度设置不同。不同的角度设置会导致切割不再平直。

1. 松开 2 个切割角度设置夹紧螺栓 (1)。
2. 将产品旋转到所需的切割角度。
 - ▶ 如需设置 -1° 或超过 45° (最大 47°) 的角度，按压并按住解锁按钮 (2)。
3. 将两个切割角度设置夹紧螺栓之一拧紧。
4. 拧紧另一个切割角度设置夹紧螺栓。

5.11 设置锯片转速

始终采用适合所用锯片和待加工材料的转速。合适的转速有助于避免锯齿过热，并能优化锯片的使用寿命。

- ▶ 将转速选择旋扭转至相应的位置。

5.12 安装锯栅

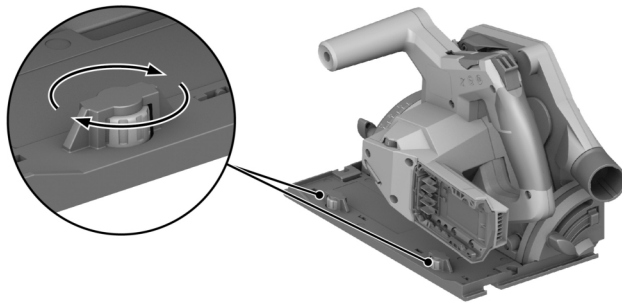


根据在产品上的安装方式，锯栅可以实现以下两种功能之一：

- L 型边缘朝下：
锯栅旨在确保沿边缘均匀切割。
- L 型边缘朝上：
底板扩展件，用于在无导轨切割时实现更稳定的引导。

1. 松开两个夹紧螺栓。
2. 将锯栅推入底座的安装支座中。
3. 将锯栅调至切割所需的间距。
 - ▶ 确保两边的间距相同。
4. 拧紧两个夹紧螺栓。

5.13 将产品放置到导轨上



1. 将产品底板的凹槽对准导向槽。
2. 检查导轨和底板之间的间隙。
3. 通过偏心螺栓调节间隙 (1)：
 - ▶ 如需缩小间隙，沿顺时针方向旋转偏心螺栓。
 - ▶ 如需增大间隙，沿逆时针方向旋转偏心螺栓。
4. 在不影响滑动的情况下，将间隙调得越小越好。

6 操作

请遵守本文档以及产品上的安全说明和警告。



6.1 打开或关闭

接通

1. 向上按压并按住开机锁。
2. 按压并按住电源开关。
3. 松开开机锁。



只要您按住电源开关，或切入单元处于切入位置，则开机锁始终处于解锁位置。切入单元处于基本位置以及您松开电源开关时，开机锁会自动跳至解锁位置。

关闭

4. 将切入单元调回基本位置。
5. 松开电源开关。

6.2 灰尘与切屑管理系统

- 使用除尘器的锯切作业：
将吸尘软管连接到吸尘管接头上，注意除尘器操作说明中的相应提示。
- 使用集尘袋的锯切作业：
利用适配接头将集尘袋插入除尘器的吸尘管接头。



您也可以在不使用集尘方法的情况下运行产品。请确保锯尘与切屑可以自由排出。

6.3 沿着划线切割



仅可锯切为底座提供足够大支撑面的平整工件。

1. 固定住工件以防移动，并标记切割路线（划线）。
2. 调节切深。 304
3. 将带有自适应切割指示器的产品放在划线上。
4. 接通产品。 306
 - ▶ 仅当电源开关解锁后，才可以进行产品的切入运动。
5. 将切入单元切入工件直至限位 (1)。
6. 以合适的速度将产品穿过工件。
7. 在锯片运行期间，将切入单元转回基本位置 (2)。



由此避免锯片卡在工件内。

8. 一旦切入单元处于基本位置，立即关闭产品。 306

6.4 执行切入式切割

1. 调节切深。 304
2. 将产品放置到工件上。
3. 接通产品。 306
 - ▶ 仅当电源开关解锁后，才可以进行产品的切入运动。
4. 将产品切入工件，直至限位。
5. 以合适的速度将产品穿过工件。
6. 将产品从工件中翻出。
7. 一旦切入单元处于基本位置，立即关闭产品。 306

6.5 进行斜切(角度切割)



本产品配有自适应切割指示器，可根据设定的切割角度自动调整。自适应切割指示器仅用于无导轨切割。使用导轨进行切割时，依照设计，切割线与设定的切割角度无关。



1. 调节斜切角度。 305
2. 将带有自适应切割指示器的产品放在划线上。
3. 接通产品。 306
4. 将切入单元切入工件中。
5. 沿着导轨引导产品锯切工件。

6.6 通过导轨进行锯切

1. 请使用 2 个螺旋夹钳固定导轨。
2. 将底板的凹槽对准导轨的导向槽。
3. 调节斜切角度。 305
4. 调节切深。 304
5. 接通产品。 306
6. 将切入单元切入工件中。
7. 沿着导轨引导产品锯切工件。

7 维护和保养

-警告-

插入电池时存在人身伤害危险！

- ▶ 执行维护和保养任务之前，请务必先取出电池。

工具的保养

- 请小心去除顽固的污垢。
- 如果有污垢，请用干燥的软毛刷小心地清洁通风孔。
- 请仅使用微湿的抹布清洁外壳。不要使用含硅清洁剂，否则可能腐蚀塑料件。
- 请使用洁净干燥的抹布来清洁产品的接头。

锂离子电池的保养

- 切勿使用通风槽堵塞的电池。用干燥的软毛刷小心地清洁通风槽。
- 避免不必要地将电池暴露在粉尘或污垢中。切勿将电池暴露在高温度的环境中 (例如将其浸在水中或放在雨中)。如果电池浸湿，请如处理损坏的电池那样对其进行处理。将其隔离在不可燃的容器中，然后联系 **Hilti** 维修中心。
- 确保电池远离油和油脂。切勿让不必要的粉尘或脏污积聚在电池上。用干燥的软毛刷或干燥柔软的布清洁电池。不要使用含硅清洁剂，否则可能腐蚀塑料件。请勿触摸电池触点或从触点上去除出厂涂的油脂。
- 请仅使用微湿的抹布清洁外壳。不要使用含硅清洁剂，否则可能腐蚀塑料件。

维护

- 定期检查所有可见部件和控制器是否出现损坏迹象，确保其全部正常工作。
- 如果发现产品有损坏和/或有功能故障，请不要使用。立即将本产品交给 **Hilti** 维修中心修复。
- 清洁和维护之后，安装所有护板或保护装置并检查其功能是否正常。



为确保安全和可靠的操作，仅使用 Hilti 原装备件和耗材。经 Hilti 许可与产品搭配使用的备件、耗材和附件可到您当地的 **Hilti Store** 购买或访问：www.hilti.group

7.1 清洁防护罩

1. 使用干燥的刷子小心地清洁防护罩部件。
2. 使用适当的工具清除防护罩部件内表面的积垢或切屑。

7.2 清洁排屑通道

1. 如果您在吸尘管接头上安装的是除尘器，则从吸尘管接头上取下吸尘软管。
2. 用刷子清洁切屑排出器通道。



8 电池型工具和电池的运输及存储

运输



-小心-

运输途中的意外启动！

▶ 运输产品前务必将电池取出！

- ▶ 取下电池。
- ▶ 切勿松散、未加保护地运输电池。在运输过程中，应保护电池免受过度冲击或振动影响，并将其与任何导电材料或其它电池分开（因为它们可能会接触到电池端子并导致短路）。**请遵守当地的电池运输规定。**
- ▶ 请勿以邮寄方式运送电池。有关如何运送完好电池的说明，请咨询您的发货商。
- ▶ 每次使用前以及长时间运输前后都要检查产品和电池是否损坏。

存放



-警告-

故障或泄漏的电池会导致意外损坏！

▶ 仅可在未插入电池的情况下存放产品！

- ▶ 请将产品和电池存放至凉爽干燥的地方。请遵守技术数据中规定的温度极限值。
- ▶ 请勿将电池存放在充电器中。充电过程结束后请始终将电池从充电器中取出。
- ▶ 切勿将电池存放在阳光下、热源上或玻璃后。
- ▶ 请将本产品与电池存放在儿童或非授权人员无法接近的位置。
- ▶ 每次使用前以及长时间存放前后都要检查产品和电池是否损坏。

9 故障排除

出现任何故障时，都应注意电池的状态显示。参见锂离子电池指示灯一章。



如果您碰到的问题未在此表中列出或您无法自行排除，请联系 **Hilti** 维修中心。

故障	可能原因	解决方案
不能按下电源开关，即按钮被锁止。	不是故障（安全功能）。	▶ 按下开机锁。
转速突然明显下降。	电池放电。 进给压力过高。	▶ 给电池充电。 ▶ 降低进给压力，重新打开电动工具。
无吸入功率或吸入功率下降	排屑通道堵塞。	▶ 清洁排屑通道。 307
在锯条失速停止后，本产品不能自动重启。	过载保护装置已启动。	▶ 再次按下开机锁和电源开关。
电池在嵌入时没有发出“咔嚓”声。	电池上的固定凸耳脏污。	▶ 清洁固定凸耳，然后重新安装电池。
本产品的振动幅度较平时大。	锯片未正确安装。	▶ 拆卸锯片并重新装上。
电池 LED 未亮起	电池损坏	▶ 联系 Hilti 维修中心。

10 废弃处置



-警告-

废弃处理不当会有人身伤害的危险！漏出的气体或液体会带来健康危害。

- ▶ 不得通过邮寄方式发送任何电池。
- ▶ 用非导电材料（比如绝缘带）包住端子，以防止短路。
- ▶ 在儿童接触不到的地方处置电池。
- ▶ 请将电池送交 **Hilti Store** 处置，或咨询当地的废弃处理机构以获取处置说明。

制造 **Hilti** 产品所用的大部分材料都可回收利用。在可以回收之前，必须正确分离材料。**Hilti** 在很多国家都提供旧工具回收服务。请咨询 **Hilti** 客户服务部门或您的销售顾问。





- ▶ 不要将电动工具、电子设备和电池扔进家庭垃圾中！

11 制造商保修

- ▶ 如对保修条件有任何疑问，请联系您当地的 Hilti 代表。

12 更多信息

关于操作、技术、环保和回收的更多信息请查看以下链接：qr.hilti.com/manual?id=2276609&id=2276671
文档末尾也提供二维码链接。







 **NURON**

B 22-55 (01)	0,56 kg	1.23 lb
B 22-85 (01)	0,77 kg	1.70 lb
B 22-110 (01)	0,92 kg	2.03 lb
B 22-170 (01)	1,34 kg	2.95 lb
B 22-255 (01)	1,87 kg	4.12 lb



C 4-22

C 6-22

C 8-22

en Declaration of conformity

Declaration of conformity

The manufacturer declares, on his sole responsibility, that the product described here complies with the applicable legislation and standards.

The technical documentation is filed here:

Hilti Entwicklungsgesellschaft mbH | Tool Certification | Hiltistrasse 6 | D-86916 Kaufering, Germany

Product information

Cordless plunge-cut circular saw	SC 6WP-22
Generation	01
Serial no.	1-9999999999

fr Déclaration de conformité

Déclaration de conformité

Le fabricant déclare sous sa seule et unique responsabilité que le produit décrit ici est conforme aux directives et normes en vigueur.

Pour obtenir les documentations techniques, s'adresser à :

Hilti Entwicklungsgesellschaft mbH | Zulassung Geräte | Hiltistraße 6 | 86916 Kaufering, DE

Caractéristiques produit

Scie circulaire plongeante sans fil	SC 6WP-22
Génération	01
N° de série	1-9999999999

da Overensstemmelseserklæring

Overensstemmelseserklæring

Producenten erklærer som eneansvarlig, at det her beskrevne produkt er i overensstemmelse med gældende lovgivning og gældende standarder.

Den tekniske dokumentation er arkiveret her:

Hilti Entwicklungsgesellschaft mbH | Zulassung Geräte | Hiltistraße 6 | 86916 Kaufering, DE

Produktoplysninger

Batteridrevet dyrkrundsav	SC 6WP-22
Generation	01
Serienummer	1-9999999999

sv Försäkran om överensstämmelse

Försäkran om överensstämmelse

Härmed intygar tillverkaren med ensamt ansvar att produkten som beskrivs överensstämmer med gällande lagstiftning och standarder.

Den tekniska dokumentationen finns sparad här:

Hilti Entwicklungsgesellschaft mbH | Zulassung Geräte | Hiltistraße 6 | 86916 Kaufering, Tyskland

Produktdetaljer

Batteridrivnen sänkcirkelsåg	SC 6WP-22
Generation	01
Serien	1-9999999999

no Samsvarserklæring

Samsvarserklæring

Produzenten erklærer under sitt eneansvar at produktet som er beskrevet her, oppfyller kravene i gjeldende lovgivning og er i samsvar med gjeldende standarder.

Den tekniske dokumentasjonen er lagret her:



Produkttopplysninger

Batteridrevet dykksag	SC 6WP-22
Generasjon	01
Serienummer	1-99999999999

fi Vaatimustenmukaisuusvakuutus

Vaatimustenmukaisuusvakuutus

Valmistaja vakuuttaa, että tässä kuvattu tuote täyttää sitä koskevien voimassa olevien lakien ja standardien vaatimukset.

Tekninen dokumentaatio löytyy tästä:

Hilti Entwicklungsgesellschaft mbH | Zulassung Geräte | Hiltistraße 6 | 86916 Kaufering, DE

Tuotetiedot

Akkukäyttöinen upotuspyörösaha	SC 6WP-22
Sukupolvi	01
Sarjanumero	1-99999999999

et Vastavusdeklaratsioon

Vastavusdeklaratsioon

Seadme tootja kinnitab ainuvastutajana, et käesolevas kasutusjuhendis kirjeldatud seade vastab kehtivate õigusaktide nõuetele ja kehtivatele standarditele.

Tehnilised dokumendid on saadaval:

Hilti Entwicklungsgesellschaft mbH | Zulassung Geräte | Hiltistraße 6 | 86916 Kaufering, DE

Andmed toote kohta

Aku-sukelketassaag	SC 6WP-22
Põlvkond	01
Seerianumber	1-99999999999

lv Atbilstības deklarācija

Atbilstības deklarācija

Ražotājs, uzņemoties pilnu atbildību, apliecinā, ka šeit aprakstītais izstrādājums atbilst spēkā esošo tiesību aktu un standartu prasībām.

Tehnisko dokumentāciju glabā:

Hilti Entwicklungsgesellschaft mbH | Zulassung Geräte | Hiltistraße 6 | 86916 Kaufering, DE

Izstrādājuma dati

Ar akumulatoru darbināms iegremdējamais ripzāģis	SC 6WP-22
Paaudze	01
Sērijas Nr.	1-99999999999

it Atitikties deklaracija

Atitikties deklaracija

Gamintojas prisiimdamas visą atsakomybę pareiškia, kad čia aprašytas prietaisas atitinka galiojančių įstatymų ir standartų reikalavimus.

Tekninė dokumentacija saugoma čia:

Hilti Entwicklungsgesellschaft mbH | Zulassung Geräte | Hiltistraße 6 | 86916 Kaufering, DE

Prietaiso duomenys

Akumuliatorinis įleidžiamasis diskinis pjūklas	SC 6WP-22
Karta	01
Serijos Nr.	1-99999999999



ru Декларация соответствия нормам**Декларация соответствия нормам**

Настоящим фирма-изготовитель с полной ответственностью заявляет, что данное изделие соответствует действующим директивам и нормам.

Техническая документация (оригиналы) хранится здесь:

Hilti Entwicklungsgesellschaft mbH | Zulassung Geräte | Hiltistraße 6 | 86916 Kaufering, Германия

Указания к изделию

Аккумуляторная погружная дисковая пила	SC 6WP-22
Поколение	01
Серийный №	1-9999999999

uk Сертифікат відповідності**Сертифікат відповідності**

Виробник зі всією належною відповідальністю заявляє, що описаний у цьому документі інструмент відповідає чинному законодавству і стандартам.

Технічна документація зазначена нижче:

Hilti Entwicklungsgesellschaft mbH | Zulassung Geräte | Hiltistraße 6 | 86916 Kaufering, DE

Інформація про інструмент

Аккумуляторна заглибна циркулярна пила	SC 6WP-22
Версія	01
Серійний номер	1-9999999999

kk Сәйкестік декларациясы**Сәйкестік декларациясы**

Өндіруші осы нұсқаулықта сипатталған өнімнің қолданыстағы заңнамаға және қолданыстағы стандарттарға сәйкес екендігін толық жауапкершілікпен жариялайды.

Техникалық құжаттама мына жерде сақталған:

Hilti Entwicklungsgesellschaft mbH | Zulassung Geräte | Hiltistraße 6 | 86916 Kaufering, DE

Өнім туралы мәліметтер

Аккумуляторлық батырмалы циркулярлық ара	SC 6WP-22
Буын	01
Сериялық нөмір	1-9999999999

tr Uygunluk beyanı**Uygunluk beyanı**

Üretici burada tanımlanan ürünü geçerli yasalara ve standartlara uygun olduğunu kendi sorumluluğunda beyan eder.

Teknik dokümantasyonlar eklidir:

Hilti Entwicklungsgesellschaft mbH | Zulassung Geräte | Hiltistraße 6 | 86916 Kaufering, DE

Ürün bilgileri

Akülü daldırma testere	SC 6WP-22
Nesil	01
Seri no.	1-9999999999



بيان المطابقة

تعلن الجهة الصانعة على مسؤوليتها وحدها بأن المنتج المشروع هنا يتوافق مع التشريعات والمعايير المعمول بها.

المستندات الفنية محفوظة هنا:

Hilti Entwicklungsgesellschaft mbH | Zulassung Geräte | Hiltistraße 6 | 86916 Kaufering, DE

بيانات المنتج

منشار دائري غاطس عامل بالبطارية	SC 6WP-22
الميل	01
الرقم المسلسل	9999999999-1



ja 適合宣言**適合宣言**

製造者は、単独の責任において本書で説明している製品が有効な法規と有効な標準規格に適合していることを宣言します。

技術資料は本書の後続の頁に記載されています：

Hilti Entwicklungsgesellschaft mbH | Zulassung Geräte | Hiltistraße 6 | 86916 Kaufering, DE

製品データ

充電式ブランチサーキュラーソー	SC 6WP-22
製品世代	01
製造番号	1-9999999999

ko 적합성 선언**적합성 선언**

본 제조사는 단독 책임 하에 여기에 기술된 제품이 통용되는 법 규정 및 규범과 일치함을 밝힙니다.

기술 문서는 이곳에 기술되어 있습니다.

Hilti Entwicklungsgesellschaft mbH | Zulassung Geräte | Hiltistraße 6 | 86916 Kaufering, DE

제품 제원

충전 플런지 원형톱	SC 6WP-22
세대	01
일련 번호	1-9999999999

zh 符合聲明**符合聲明**

基於製造商唯一的責任，本公司在此聲明本產品符合適用法規及標準。

技術文件已歸檔：

Hilti Entwicklungsgesellschaft mbH | Tool Certification | Hiltistrasse 6 | D-86916 Kaufering, Germany

產品資訊

充電式切入式圓鋸	SC 6WP-22
產品代別	01
序號	1-9999999999

cn 符合性声明**符合性声明**

制造商全权负责声明，此处所述及的产品符合现行法规和标准。

技术文档在此处归档：

Hilti Entwicklungsgesellschaft mbH | Tool Certification | Hiltistrasse 6 | 86916 Kaufering, Germany

产品信息

无绳切入式圆锯	SC 6WP-22
代次	01
序列号	1-9999999999



Hilti Corporation
Feldkircherstraße 100
9494 Schaan | Liechtenstein
SC 6WP-22 (01)



2006/42/EC
2014/30/EU
2011/65/EU

EN 62841-1:2015, AC:2015, A11:2022
EN IEC 55014-1:2021

EN 62841-2-5:2014
EN IEC 55014-2:2021

Schaan, 29.03.2024

Dr. Tahar Zrilli
Head of Quality and Process Management
Business Area Electric Tools & Accessories

Edward-Louis Przybyłowicz
Head of BU Power Tool & Accessories
Business Area Electric Tools & Accessories

**UK
CA**

en UK Declaration of Conformity

Declaration of conformity

The manufacturer declares, on his sole responsibility, that the product described here complies with the applicable legislation and standards.

The technical documentation is filed here:

Hilti Entwicklungsgesellschaft mbH | Tool Certification | Hiltistrasse 6 | D-86916 Kaufering, Germany

Product information

Cordless plunge-cut circular saw	SC 6WP-22
Generation	01
Serial no.	1-9999999999





Manufacturer:

Hilti Corporation

Feldkircherstraße 100
9494 Schaan | Liechtenstein

SC 6WP-22 (01)

Supply of Machinery (Safety) Regulations
2008

Electromagnetic Compatibility Regulations
2016

The Restriction of the Use of Certain
Hazardous Substances in Electrical and
Electronic Equipment Regulations 2012

UK Importer:

Hilti (Gt. Britain) Limited

No. 1 Circle Square, 3 Symphony Park
Manchester, England, M1 7FS



EN 62841-1:2015, AC:2015, A11:2022

EN IEC 55014-1:2021

EN 62841-2-5:2014

EN IEC 55014-2:2021

Schaan, 29.03.2024

Dr. Tahar Zrilli

Head of Quality and Process Management
Business Area Electric Tools & Accessories

Edward-Louis Przybylowicz

Head of BU Power Tool & Accessories
Business Area Electric Tools & Accessories











Hilti Corporation
LI-9494 Schaan
Tel.:+423 234 21 11
Fax:+423 234 29 65
www.hilti.group



2373233