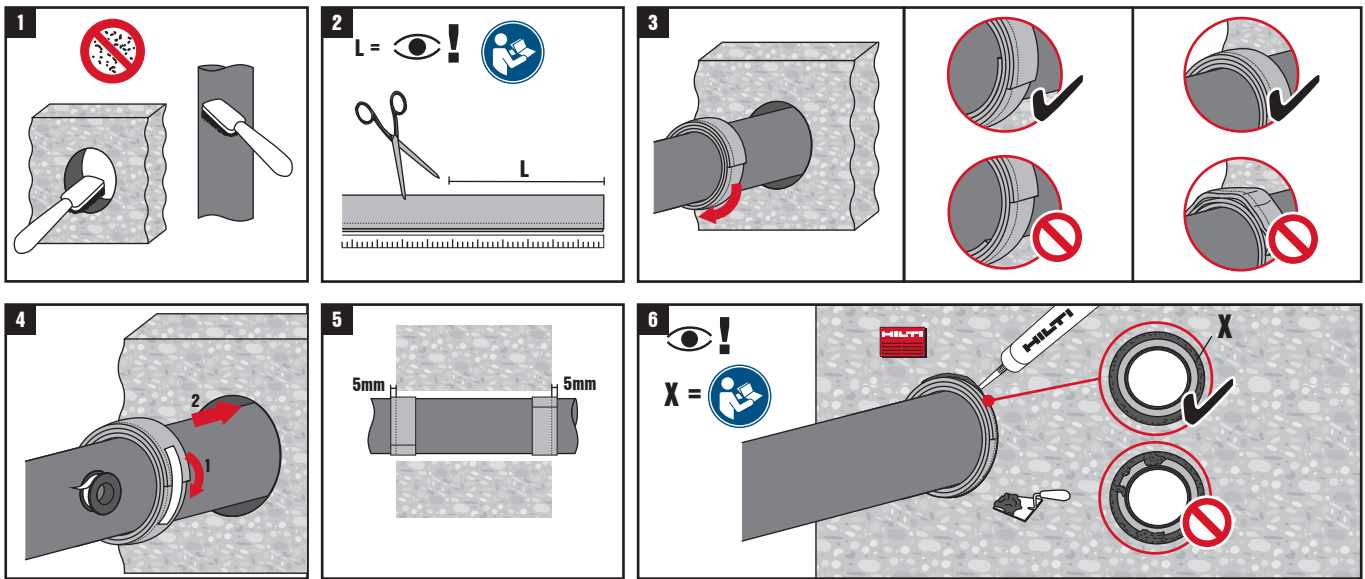


RIGID/FLEXIBLE WALL APPLICATION

ETA 16/0445

QR

www.hilti.group
EN: http://fsselector.hilti.com

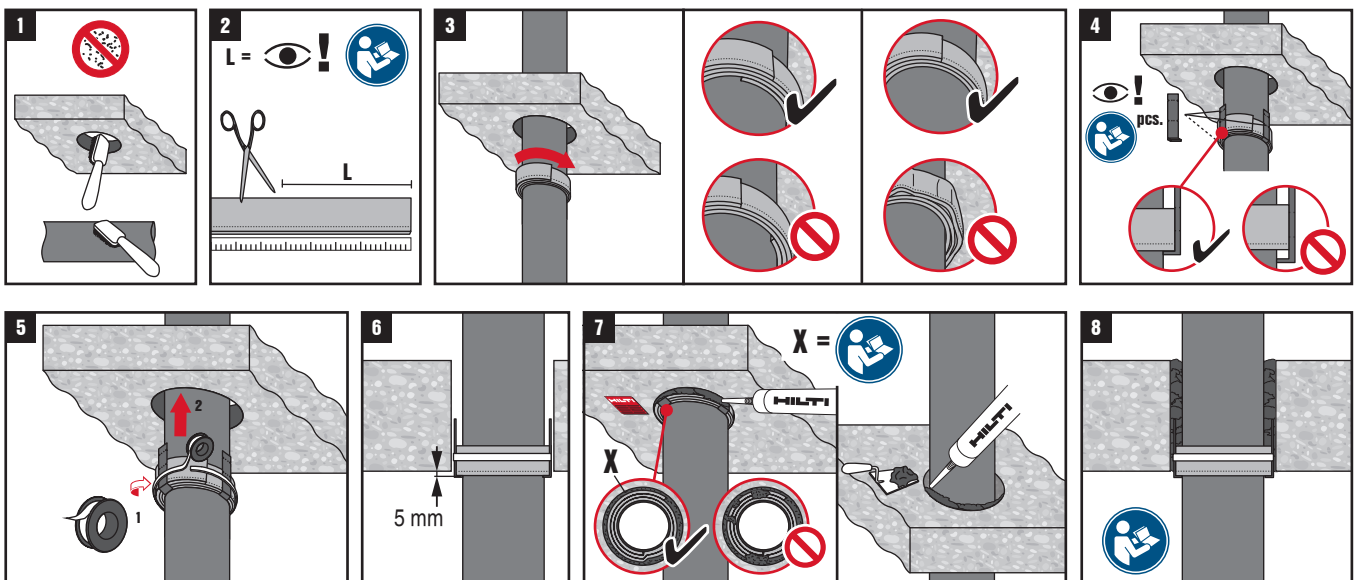


RIGID FLOOR APPLICATION

ETA 16/0445

QR

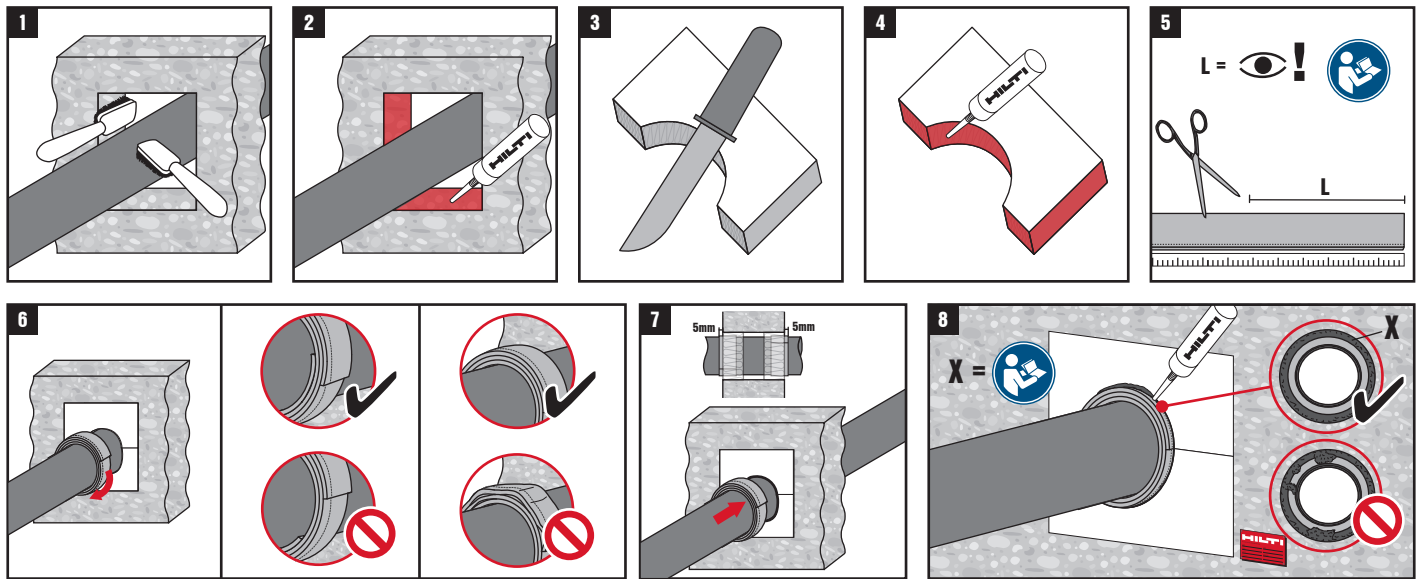
www.hilti.group
EN: http://fsselector.hilti.com



WALL APPLICATION IN COATED BOARD

ETA 11/0429

<p>www.hilti.group EN: http://fsselector.hilti.com</p>	
--	--



FLOOR APPLICATION IN COATED BOARD

ETA 11/0429

<p>www.hilti.group EN: http://fsselector.hilti.com</p>	
--	--

