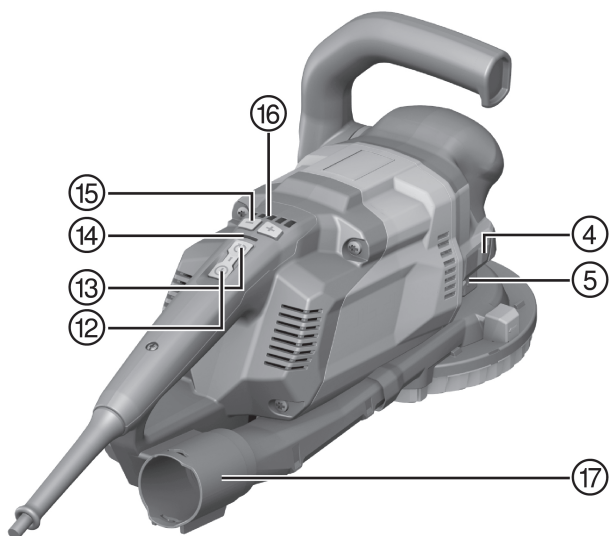
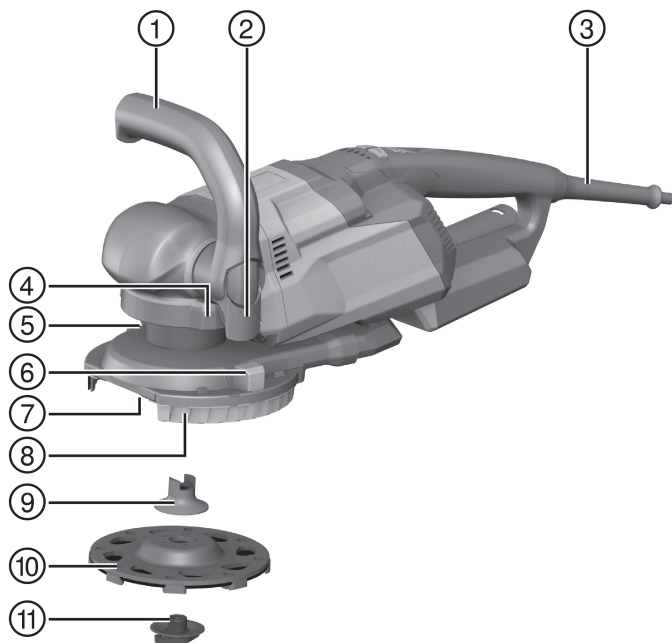




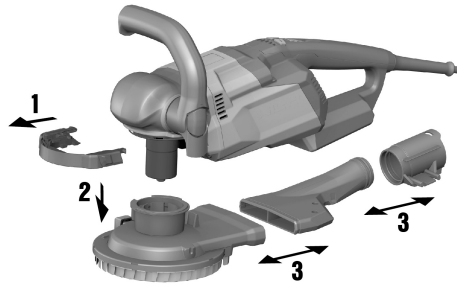
DGH 150

English
עברית

1
12



2



DGH 150

en	English	1
he	עברית	12

English

1 Information about the documentation

1.1 About this documentation

- Read this documentation before initial operation or use. This is a prerequisite for safe, trouble-free handling and use of the product.
- Observe the safety instructions and warnings in this documentation and on the product.
- Always keep the operating instructions with the product and make sure that the operating instructions are with the product when it is given to other persons.

1.2 Explanation of symbols used

1.2.1 Warnings

Warnings alert persons to hazards that occur when handling or using the product. The following signal words are used:

DANGER

DANGER !

- ▶ Draws attention to imminent danger that will lead to serious personal injury or fatality.

WARNING

WARNING !

- ▶ Draws attention to a potential threat of danger that can lead to serious injury or fatality.

CAUTION

CAUTION !

- ▶ Draws attention to a potentially dangerous situation that could lead to personal injury or damage to the equipment or other property.

1.2.2 Symbols in the operating instructions

The following symbols are used in these operating instructions:

	Comply with the operating instructions
	Instructions for use and other useful information
	Dealing with recyclable materials
	Do not dispose of electric equipment and batteries as household waste

1.2.3 Symbols in illustrations

The following symbols are used in illustrations:

	These numbers refer to the illustrations at the beginning of these operating instructions.
	The numbering reflects the sequence of operations shown in the illustrations and may deviate from the steps described in the text.
	Item reference numbers are used in the overview illustration and refer to the numbers used in the key in the product overview section.
	These characters are intended to specifically draw your attention to certain points when handling the product.



1.3 Product-dependent symbols

1.3.1 Symbols on the product

The following symbols can be used on the product:

	Wear eye protection
	Wear a hard hat
	Wear ear protection
	Wear protective gloves
	Wear light respiratory protection
	Wear protective clothing
	Risk of electric shock.
	Risk of crushing parts of the body.
	Warning: Hot surface
RPM	Revolutions per minute
n	Rated speed
∅	Diameter
	Alternating current
	Protection class II (double-insulated)
	The power tool supports near-field communication (NFC) technology, which is compatible with iOS and Android platforms.
	Use the side handle
	If applied on the product, the product has been certified by this certification body for the US and Canadian markets according to the applicable standards.

1.4 Product information

products are designed for professional users and only trained, authorized personnel are permitted to operate, service and maintain the products. This personnel must be specifically informed about the possible hazards. The product and its ancillary equipment can present hazards if used incorrectly by untrained personnel or if used not in accordance with the intended use.

The type designation and serial number are printed on the rating plate.

- ▶ Write down the serial number in the table below. You will be required to state the product details when contacting Hilti Service or your local Hilti organization to inquire about the product.

Product information

Type:	DGH 150
Generation:	01
Serial no.:	

1.5 Declaration of conformity

The manufacturer declares, on his sole responsibility, that the product described here complies with the applicable legislation and standards. A copy of the declaration of conformity can be found at the end of this documentation.



2 Safety

2.1 General power tool safety warnings

⚠ WARNING Read all safety warnings, instructions, illustrations and specifications provided with this power tool. Failure to follow all instructions listed below may result in electric shock, fire and/or serious injury. **Save all warnings and instructions for future reference.**

The term "power tool" in the warnings refers to your mains-operated (corded) power tool or battery-operated (cordless) power tool.

Work area safety

- ▶ **Keep work area clean and well lit.** Cluttered or dark areas invite accidents.
- ▶ **Do not operate power tools in explosive atmospheres, such as in the presence of flammable liquids, gases or dust.** Power tools create sparks which may ignite the dust or fumes.
- ▶ **Keep children and bystanders away while operating a power tool.** Distractions can cause you to lose control.

Electrical safety

- ▶ **Power tool plugs must match the outlet. Never modify the plug in any way. Do not use any adapter plugs with earthed (grounded) power tools.** Unmodified plugs and matching outlets will reduce risk of electric shock.
- ▶ **Avoid body contact with earthed or grounded surfaces, such as pipes, radiators, ranges and refrigerators.** There is an increased risk of electric shock if your body is earthed or grounded.
- ▶ **Do not expose power tools to rain or wet conditions.** Water entering a power tool will increase the risk of electric shock.
- ▶ **Do not abuse the cord. Never use the cord for carrying, pulling or unplugging the power tool. Keep cord away from heat, oil, sharp edges or moving parts.** Damaged or entangled cords increase the risk of electric shock.
- ▶ **When operating a power tool outdoors, use an extension cord suitable for outdoor use.** Use of a cord suitable for outdoor use reduces the risk of electric shock.
- ▶ **If operating a power tool in a damp location is unavoidable, use a residual current device (RCD) protected supply.** Use of an RCD reduces the risk of electric shock.

Personal safety

- ▶ **Stay alert, watch what you are doing and use common sense when operating a power tool. Do not use a power tool while you are tired or under the influence of drugs, alcohol or medication.** A moment of inattention while operating power tools may result in serious personal injury.
- ▶ **Use personal protective equipment. Always wear eye protection.** Protective equipment such as a dust mask, non-skid safety shoes, hard hat or hearing protection used for appropriate conditions will reduce personal injuries.
- ▶ **Prevent unintentional starting. Ensure the switch is in the off-position before connecting to power source and/or battery pack, picking up or carrying the tool.** Carrying power tools with your finger on the switch or energising power tools that have the switch on invites accidents.
- ▶ **Remove any adjusting key or wrench before turning the power tool on.** A wrench or a key left attached to a rotating part of the power tool may result in personal injury.
- ▶ **Do not overreach. Keep proper footing and balance at all times.** This enables better control of the power tool in unexpected situations.
- ▶ **Dress properly. Do not wear loose clothing or jewellery. Keep your hair and clothing away from moving parts.** Loose clothes, jewellery or long hair can be caught in moving parts.
- ▶ **If devices are provided for the connection of dust extraction and collection facilities, ensure these are connected and properly used.** Use of dust collection can reduce dust-related hazards.
- ▶ **Do not let familiarity gained from frequent use of tools allow you to become complacent and ignore tool safety principles.** A careless action can cause severe injury within a fraction of a second.

Power tool use and care

- ▶ **Do not force the power tool. Use the correct power tool for your application.** The correct power tool will do the job better and safer at the rate for which it was designed.
- ▶ **Do not use the power tool if the switch does not turn it on and off.** Any power tool that cannot be controlled with the switch is dangerous and must be repaired.



- ▶ **Disconnect the plug from the power source and/or remove the battery pack, if detachable, from the power tool before making any adjustments, changing accessories, or storing power tools.** Such preventive safety measures reduce the risk of starting the power tool accidentally.
- ▶ **Store idle power tools out of the reach of children and do not allow persons unfamiliar with the power tool or these instructions to operate the power tool.** Power tools are dangerous in the hands of untrained users.
- ▶ **Maintain power tools and accessories. Check for misalignment or binding of moving parts, breakage of parts and any other condition that may affect the power tool's operation. If damaged, have the power tool repaired before use.** Many accidents are caused by poorly maintained power tools.
- ▶ **Keep cutting tools sharp and clean.** Properly maintained cutting tools with sharp cutting edges are less likely to bind and are easier to control.
- ▶ **Use the power tool, accessories and tool bits etc. in accordance with these instructions, taking into account the working conditions and the work to be performed.** Use of the power tool for operations different from those intended could result in a hazardous situation.
- ▶ **Keep handles and grasping surfaces dry, clean and free from oil and grease.** Slippery handles and grasping surfaces do not allow for safe handling and control of the tool in unexpected situations.

Service

- ▶ **Have your power tool serviced by a qualified repair person using only identical replacement parts.** This will ensure that the safety of the power tool is maintained.

2.2 Safety warnings for all operations

Safety warnings common for grinding or sanding operations:

- ▶ **This power tool is intended to function as a grinder or sander. Read all safety warnings, instructions, illustrations and specifications provided with this power tool.** Failure to follow all instructions listed below may result in electric shock, fire and/or serious injury.
- ▶ **Operations such as wire brushing, polishing, hole cutting or cutting-off are not to be performed with this power tool.** Operations for which the power tool was not designed may create a hazard and cause personal injury.
- ▶ **Do not convert this power tool to operate in a way which is not specifically designed and specified by the tool manufacturer.** Such a conversion may result in a loss of control and cause serious personal injury.
- ▶ **Do not use accessories which are not specifically designed and specified by the tool manufacturer.** Just because the accessory can be attached to your power tool, it does not assure safe operation.
- ▶ **The rated speed of the accessory must be at least equal to the maximum speed marked on the power tool.** Accessories running faster than their rated speed can break and fly apart.
- ▶ **The outside diameter and the thickness of your accessory must be within the capacity rating of your power tool.** Incorrectly sized accessories cannot be adequately guarded or controlled.
- ▶ **The dimensions of the accessory mounting must fit the dimensions of the mounting hardware of the power tool.** Accessories that do not match the mounting hardware of the power tool will run out of balance, vibrate excessively and may cause loss of control.
- ▶ **Do not use a damaged accessory. Before each use inspect the accessory such as abrasive wheels for chips and cracks, backing pad for cracks, tear or excess wear, wire brush for loose or cracked wires. If power tool or accessory is dropped, inspect for damage or install an undamaged accessory. After inspecting and installing an accessory, position yourself and bystanders away from the plane of the rotating accessory and run the power tool at maximum no-load speed for one minute.** Damaged accessories will normally break apart during this test time.
- ▶ **Wear personal protective equipment. Depending on application, use face shield, safety goggles or safety glasses. As appropriate, wear dust mask, hearing protectors, gloves and workshop apron capable of stopping small abrasive or workpiece fragments.** The eye protection must be capable of stopping flying debris generated by various applications. The dust mask or respirator must be capable of filtering particles generated by the particular application. Prolonged exposure to high intensity noise may cause hearing loss.
- ▶ **Keep bystanders a safe distance away from work area. Anyone entering the work area must wear personal protective equipment.** Fragments of workpiece or of a broken accessory may fly away and cause injury beyond immediate area of operation.
- ▶ **Hold the power tool by insulated gripping surfaces only, when performing an operation where the cutting accessory may contact hidden wiring or its own cord.** Cutting accessory contacting a "live" wire may make exposed metal parts of the power tool "live" and could give the operator an electric shock.



- ▶ **Position the cord clear of the spinning accessory.** If you lose control, the cord may be cut or snagged and your hand or arm may be pulled into the spinning accessory.
- ▶ **Never lay the power tool down until the accessory has come to a complete stop.** The spinning accessory may grab the surface and pull the power tool out of your control.
- ▶ **Do not run the power tool while carrying it at your side.** Accidental contact with the spinning accessory could snag your clothing, pulling the accessory into your body.
- ▶ **Regularly clean the power tool's air vents.** The motor's fan will draw the dust inside the housing and excessive accumulation of powdered metal may cause electrical hazards.
- ▶ **Do not operate the power tool near flammable materials.** Sparks could ignite these materials.
- ▶ **Do not use accessories that require liquid coolants.** Using water or other liquid coolants may result in electrocution or shock.

Kickback and related warnings

Kickback is a sudden reaction to a pinched or snagged rotating wheel, backing pad, brush or any other accessory. Pinching or snagging causes rapid stalling of the rotating accessory which in turn causes the uncontrolled power tool to be forced in the direction opposite of the accessory's rotation at the point of the binding.

For example, if an abrasive wheel is snagged or pinched by the workpiece, the edge of the wheel that is entering into the pinch point can dig into the surface of the material causing the wheel to climb out or kick out. The wheel may either jump toward or away from the operator, depending on direction of the wheel's movement at the point of pinching. Abrasive wheels may also break under these conditions.

Kickback is the result of power tool misuse and / or incorrect operating procedures or conditions and can be avoided by taking proper precautions as given below.

- ▶ **Maintain a firm grip with both hands on the power tool and position your body and arms to allow you to resist kickback forces. Always use auxiliary handle, if provided, for maximum control over kickback or torque reaction during start-up.** The operator can control torque reactions or kickback forces, if proper precautions are taken.
- ▶ **Never place your hand near the rotating accessory.** Accessory may kickback over your hand.
- ▶ **Do not position your body in the area where power tool will move if kickback occurs.** Kickback will propel the tool in direction opposite to the wheel's movement at the point of snagging.
- ▶ **Use special care when working corners, sharp edges etc. Avoid bouncing and snagging the accessory.** Corners, sharp edges or bouncing have a tendency to snag the rotating accessory and cause loss of control or kickback.
- ▶ **Do not attach a saw chain woodcarving blade, segmented diamond wheel with a peripheral gap greater than 10 mm or toothed saw blade.** Such blades create frequent kickback and loss of control.

Safety warnings specific for sanding operations:

- ▶ **Use proper sized sanding disc paper. Follow manufacturers recommendations, when selecting sanding paper.** Larger sanding paper extending too far beyond the sanding pad presents a laceration hazard and may cause snagging, tearing of the disc or kickback.

2.3 Additional safety instructions

Personal safety

- ▶ Do not tamper with or attempt to make alterations to the device.
- ▶ Keep the grips dry, clean and free from oil and grease.
- ▶ Make sure that the side handle is fitted correctly and tightened securely. Always hold the tool firmly with both hands on the grips provided.
- ▶ Take breaks between working and do relaxation and finger exercises to improve the blood circulation in your fingers.
- ▶ The power tool is not intended for use by debilitated persons who have received no special training.
- ▶ Keep the power tool out of reach of children.
- ▶ Do not touch rotating parts. Switch the power tool on only after it is in position at the workpiece. Touching rotating parts, especially rotating accessory tools, can result in injury.
- ▶ Grinding can produce hazardous grinding dust. Before starting work, check the hazard class of the dust that will be produced by grinding operations. When working with the power tool, whenever possible use a dust extractor with an officially approved protection class in compliance with the locally applicable dust protection regulations.
- ▶ Dust from materials such as lead-based paint, certain types of wood and concrete/masonry/stone containing quartz, minerals or metal can be harmful to health. Contact with or inhalation of the dust can cause allergic reactions and/or respiratory or other diseases among operators or bystanders. Certain kinds of dust such as oakwood and beechwood dust are classified as carcinogenic, especially in



conjunction with additives for wood conditioning (chromate, wood preservative). Only specialists are permitted to handle material containing asbestos. **Use a dust extractor whenever possible. To achieve a high level of dust collection, use a suitable dust extractor. If necessary, wear a respirator appropriate for the type of dust generated. Make sure that the workplace is well ventilated. Comply with national regulations applicable to the materials you will be working with.**

- ▶ Before starting grinding work, carefully remove all protruding parts such as nails, screws, etc.
- ▶ Grinding can produce flying sparks. Make sure that no-one is endangered.

Power tool use and care

- ▶ Always before starting work, and this also applies after each break, check that the accessory tool is secure.

Electrical safety

- ▶ Before beginning work, check the working area (e.g. using a metal detector) to ensure that no concealed electric cables or gas and water pipes are present. External metal parts on the power tool can become live, for example if you inadvertently damage electric wiring. This presents a serious risk of electric shock.
- ▶ Check the machine's supply cord at regular intervals and have it replaced by a qualified specialist if found to be damaged. If the machine's supply cord is damaged it must be replaced with a specially prepared and approved supply cord available from Hilti Customer Service. Check extension cords at regular intervals and replace them if found to be damaged. Do not touch the supply cord or extension cord if it is damaged while working. Disconnect the supply cord plug from the power outlet. Damaged supply cords or extension cords present a risk of electric shock.
- ▶ Have dirtied or dusty power tools that are used frequently for working on conductive materials checked at regular intervals by Hilti Service. Dust (especially dust from conductive materials) or dampness on the surface of the power tool can, under unfavorable conditions, lead to electric shock.

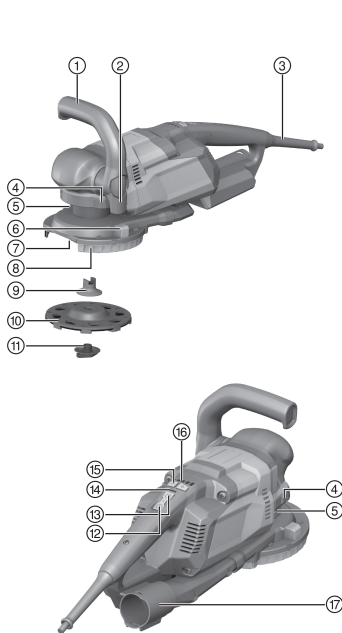
Personal safety

- ▶ Make sure that the workplace is well ventilated. It is advisable to wear a filter class P2 dust mask.
- ▶ The diamond cup wheel, parts of the guard or the power tool (gear head) can become hot in use. To avoid burns, do not touch these parts unless you are wearing gloves.



3 Description

3.1 Product overview



- ① Side handle
- ② Clamping lever, side handle
- ③ Supply cord
- ④ Release buttons, bow grip
- ⑤ Height adjustment of the guard
- ⑥ Adjusting lever for segment opening
- ⑦ Segment opening
- ⑧ Guard with lamellar seal
- ⑨ Mounting flange
- ⑩ Diamond cup wheel
- ⑪ **Keyless** quick-action clamping screw
- ⑫ On/off button
- ⑬ Locking button for continuous operation
- ⑭ LED status indicator
- ⑮ Buttons for gear selection
- ⑯ Gear indicator
- ⑰ Connector for dust extraction

3.2 Intended use

The product described is an electrically powered diamond grinder for dry-grinding and fine-grinding mineral materials. Use the diamond grinder only in combination with a dust extractor.

The grinder is designed exclusively for dry abrasive removal of uncoated mineral materials and thin coatings on concrete and similar mineral materials, with a maximum layer thickness of 3 mm (0.12 in).

3.3 Inadmissible misuse

Do not use accessory tools that are not approved for this product. This includes cut-off wheels, diamond cut-off wheels and rotary wire brushes.

Do not use the product for wet grinding, do not grind projecting objects such as nails or screws.

Do not use the product with if slats on the dust hood are worn; never use the product without a dust extractor. Never use the grinding pad at a speed for which it is not approved.

Static electricity can disable the product's electronics. Use an anti-static suction hose in order to avoid electrostatic effects.

3.4 Items supplied

Grinder, operating instructions, mounting flange, **Keyless** quick-action clamping screw.

Other system products approved for use with this product can be found at your local **Hilti Store** or at: www.hilti.group

4 Technical data



For rated voltage, rated current, frequency and/or input power, refer to the country-specific type identification plate.



If the device is powered by a generator or transformer, the generator or transformer's power output must be at least twice the rated input power shown on the rating plate of the device. The operating voltage of the transformer or generator must always be within +5 % and -15 % of the rated voltage of the device.

Weight in accordance with EPTA procedure 01	5.6 kg
Revolutions per minute (stage 1)	3,300 /min
Revolutions per minute (stage 2)	4,125 /min
Revolutions per minute (stage 3)	4,950 /min
Revolutions per minute (stage 4)	5,775 /min
Revolutions per minute (stage 5)	6,600 /min
Rated speed under no load	7,000 /min
Disc diameter	150 mm
Disc thickness	4 mm ... 4.5 mm

4.1 Noise information and vibration values in accordance with EN 62841

The sound pressure and vibration values given in these instructions were measured in accordance with a standardized test and can be used to compare one power tool with another. They can also be used for a preliminary assessment of exposure.

The data given represent the main applications of the power tool. However, if the power tool is used for different applications, with different accessory tools, or is poorly maintained, the data can vary. This can significantly increase exposure over the total working period.

An accurate estimation of exposure should also take into account the times when the tool is switched off, or when it is running but not actually being used for a job. This can significantly reduce exposure over the total working period.

Identify additional safety measures to protect the operator from the effects of noise and/or vibration, for example: maintaining the power tool and accessory tools, keeping the hands warm, organization of work patterns.

Noise information

Sound power level (L_{WA})	102 dB(A)
Uncertainty for the sound power level (K_{WA})	3 dB(A)
Emission sound pressure level (L_{pA})	91 dB(A)
Uncertainty for the sound pressure level (K_{pA})	3 dB(A)

Vibration information

Vibration emission value for grinding concrete ($a_{h, CG}$)	10.5 m/s ²
Vibration emission value for surface grinding ($a_{h, AG}$)	5.6 m/s ²
Uncertainty (K)	1.5 m/s ²

5 Preparations at the workplace

CAUTION

Risk of injury! Inadvertent starting of the product.

- ▶ Unplug the supply cord before making adjustments to the power tool or before changing accessories.

Observe the safety instructions and warnings in this documentation and on the product.

5.1 Installing an accessory tool

CAUTION

Risk of damage and risk of injury due to damaged Keyless quick-action clamping screw. The Keyless quick-action clamping screw can snap off if it is overtightened.

- ▶ Never use a tool to tighten the **Keyless** quick-action clamping screw. Tighten it by hand only.

1. Clean the chuck.
2. Slip the mounting flange on to the arbor and turn the mounting flange until it engages.



3. Position the accessory tool on the centering collar of the mounting flange.
4. Screw the quick-action clamping screw into the arbor and tighten the screw by hand.

5.2 Removing the accessory tool

1. Slacken the clamping nut.
2. Remove the accessory tool.

5.3 Adjusting the side handle

1. To release the side handle, open the clamping lever.
2. Adjust the side handle to the desired position.
3. Close the clamping lever.

5.4 Adjusting the guard

Situation: The grinder is switched off.

1. Set the grinder on the grinding wheel.
2. Use the height adjuster to adjust the height.
 - ▶ **Optimum height:** approximately 1 mm clearance between slats and surface.
3. If you are working along a corner, turn the segment opening of the guard to the desired position.
4. Be sure to close the segment opening when you finish working along the corner.

5.5 Selecting the gear

1. Use the gear selector switch to select a gear to suit the accessory tool you are going to use and the hardness of the material to be worked.



You can select a gear only when the power tool is connected to the electricity supply.

2. Use 1st gear for better dust control when grinding off soft mineral materials, such as paint from cement rendering, and to make the power tool easier to guide when grinding off coatings from soft materials.
3. Use 5th gear to apply the full power of the tools when grinding hard mineral materials such as concrete, floor screeding or natural stone.

6 Types of work

6.1 Switching on

CAUTION

Risk of injury. Inadequately secured accessory tools can work loose.

- ▶ Before each use, always check that the accessory tool is secure.

1. Connect the grinder to an industrial vacuum cleaner.
2. Lift the power tool clear of the work surface.
3. Press and hold down the on / off switch.
 - ▶ The status LED of the locking button flashes.
4. Press the locking button to switch on the grinder in continuous-operation mode.



The locking button has to be pressed within one second.

6.2 Trying out after fitting a new diamond cup wheel

CAUTION

Risk of injury! Damaged grinding wheels can work loose.

- ▶ Protect the grinding wheels from blows, impacts and grease.
 - ▶ Do not use vibrating grinding wheels.
-
- ▶ Allow the grinder to run for at least 1 minute without load.



6.3 Sanding

1. Select a gear. → page 9
2. Switch the grinder on. → page 9
3. Bring the power tool with the accessory tool into contact with the work surface and keep the tool moving with a steady back-and-forth action.
4. Apply moderate pressure and do not dig the tool into the material.
5. The diamond cup wheel can overheat and suffer damage when used to grind very hard mineral materials such as concrete with a high gravel content. Under these circumstances take frequent breaks from grinding and, with the power tool idling, allow the diamond cup wheel to cool down briefly.

6.4 Switching off

- ▶ To switch off the power tool, press the locking button or the on/off switch.

7 Care and maintenance

WARNING

Electric shock hazard! Attempting care and maintenance with the supply cord connected to a power outlet can lead to severe injury and burns.

- ▶ Always unplug the supply cord before carrying out care and maintenance tasks.

Care

- Carefully remove stubborn dirt from the tool.
- Clean the air vents carefully with a dry brush.
- Use only a slightly damp cloth to clean the casing. Do not use cleaning agents containing silicone as they can attack the plastic parts.

Maintenance

WARNING

Danger of electric shock! Improper repairs to electrical components may lead to serious injuries including burns.

- ▶ Repairs to the electrical section of the tool or appliance may be carried out only by trained electrical specialists.
- Check all visible parts and controls for signs of damage at regular intervals and make sure that they all function correctly.
- Do not operate the product if signs of damage are found or if parts malfunction. Have it repaired immediately by Hilti Service.
- After cleaning and maintenance, fit all guards or protective devices and check that they function correctly.



To help ensure safe and reliable operation, use only genuine Hilti spare parts and consumables. Spare parts, consumables and accessories approved by Hilti for use with the product can be found at your local **Hilti Store** or online at: www.hilti.group.

7.1 Cleaning the guard and the suction channel

1. Remove the accessory tool. → page 9
2. Remove the mounting flange from the arbor.
3. Set the lever for height adjustment to the midway position.
4. Press both release buttons and work the bow-shaped retainer forward to remove.
5. Pull the guard down and clear of the power tool.
6. Remove the suction channel from the connector.
7. Clean the guard, the suction channel and the connector.
8. Connect the suction channel to the connector. Make sure that the O-ring is correctly seated.
9. Connect the guard to the suction channel. Make sure that the O-ring is correctly seated. Slip the guard over the arbor and into the power tool.
10. Secure the guard with the bow-shaped retainer. Make sure that the bow-shaped retainer engages correctly.
11. Install the accessory tool. → page 8



7.2 Changing the grinding slats



Change the grinding slats when they are worn.

1. Remove the accessory tool. → page 9
2. Pull the grinding slats out of the guard. Use pliers if necessary.
3. Press the new grinding slats into the groove in the guard until they engage.
4. Install the accessory tool. → page 8

8 Transport and storage

Transport

- ▶ Do not transport this product with an accessory tool installed.
- ▶ Make sure that the equipment is held securely throughout all transport operations.
- ▶ After transporting, always check all visible parts and controls for signs of damage and make sure that they all function correctly.

Storage

- ▶ Always store this product with the electric supply cable unplugged from the electricity supply.
- ▶ Store this product in a dry place, where it cannot be accessed by children or unauthorized persons.
- ▶ After a long period of storage, always check all visible parts and controls for signs of damage and make sure that they all function correctly.

9 Further information

For more information on operation, technology, environment and recycling, follow this link: qr.hilti.com/manual/?id=2240961

This link is also to be found at the end of the documentation, in the form of a QR code.

10 Disposal

Most of the materials from which **Hilti** tools and appliances are manufactured can be recycled. The materials must be correctly separated before they can be recycled. In many countries, your old tools, machines or appliances can be returned to **Hilti** for recycling. Ask **Hilti** Service or your Hilti representative for further information.



- ▶ Do not dispose of power tools, electronic equipment or batteries as household waste!

11 Manufacturer's warranty

- ▶ Please contact your local **Hilti** representative if you have questions about the warranty conditions.



1 בתוכים על התיעוד

1.1 על אודות תיעוד זה

- קרא את תיעוד זה במלואו לפני השימוש הראשון. רק כך ניתן להבטיח עבודה בטוחה ונטולת תקלות.
- ציית להוראות הבטיחות והאזהרות שבתיעוד זה ולאלה המצוינות על המוצר.
- שמור את הוראות ההפעלה תמיד בצמוד למוצר, והקפד להעביר אותן לאדם שאליו אתה מעביר את המוצר.

1.2 הסבר הסימנים

1.2.1 אזהרות

האזהרות מזדהרות מפני סכנות בשימוש במוצר. במדריך זה מופיעות מילות המפתח הבאות:

סכנה 

סכנה!

◀ מציינת סכנה מיידית, המובילה לפציעות גוף קשות או למוות.

אזהרה 

אזהרה!

◀ מציינת סכנה אפשרית, שיכולה להוביל לפציעות גוף קשות או למוות.

זהירות 

זהירות!

◀ מציינת מצב שעלול להיות מסוכן ולהוביל לפציעות גוף או לנזקים לרכוש.




1.2.2 סמלים בהוראות ההפעלה

הסמלים הבאים מופיעים בהוראות הפעלה אלה:

שים לב להוראות ההפעלה	
הנחיות לשימוש ומידע שימושי נוסף	
טיפול נכון בחומרים למיחזור	
אין להשליך לפסולת הביתית מכשירים חשמליים וסוללות	

1.2.3 סמלים באיורים



הסמלים הבאים משמשים באיורים:

מספרים אלה מפנים לאיור המתאים בתחילת הוראות הפעלה אלה.	
המספרים באיורים משקפים את רצף הפעולות, והם עשויים להיות שונים מרצף הפעולות המצוינות בטקסט.	3
מספרי הפריטים מופיעים באיור סקירה ותואמים את המספרים במקרא בפרק סקירת המוצר .	
סימן זה אמור לעורר את תשומת לבך המיוחדת בעת השימוש במוצר.	

1.3 סמלים ספציפיים למוצר

1.3.1 סמלים על המוצר

הסמלים הבאים עשויים להופיע על המוצר:

השתמש במגני עיניים	
השתמש בקסדת מגן	



השתמש במגני שמיעה	
השתמש בכפפות מגן	
השתמש במגן נשימה קל	
השתמש בביגוד מגן	
סכנת התחשמלות.	
סכנת מערכת אברי גוף.	
אזהרה מפני משטח חם	
סיבובים לדקה	RPM
סל"ד נקוב	n
קוטר	∅
זרם חילופים	
דירוג הגנה II (בידוד כפול)	
המכשיר תומך בטכנולוגיית NFC, התואמת את פלטפורמות iOS ו-Android.	
השתמש בידיית האחידה הצדית	
אם מופיע על המוצר, אז המוצר אושר על ידי מוסד בדיקה זה עבור השוק בארה"ב ובקנדה בהתאם לתקנים התקפים.	

1.4 פרטי המוצר

המוצרים של **HILTI** מיועדים למשתמש המקצועי, ורק אנשים מורשים, שעברו הכשרה מתאימה, רשאים לתפעל, לתחזק ולתקן אותם. אנשים אלה חייבים ללמוד באופן מיוחד את הסכנות האפשריות. המוצר המתואר והעזרים שלו עלולים להיות מסוכנים כאשר אנשים שלא עברו הכשרה מתאימה משתמשים בהם באופן לא מקצועי או כאשר משתמשים בהם שלא בהתאם לייעוד. שם הדגם והמספר הסידורי מצוינים על לוחית הדגם.

רשום את המספר הסידורי בטבלה הבאה. בכל פנייה לנציגינו או למעבדת שירות יש לציין את נתוני המוצר.

נתוני המוצר

דגם:	DGH 150
דור:	01
מס' סידורי:	

1.5 הצהרת תאימות

היצרן מצהיר באחריותו הבלעדית כי המוצר המתואר כאן עונה על דרישות החוק התקפות והתקנים התקפים. בסוף תיעוד זה ישנו צילום של הצהרת התאימות.

התיעוד הטכני שמור כאן:

Hilti Entwicklungsgesellschaft mbH | Zulassung Geräte | Hiltistraße 6 | 86916 Kaufering, Germany

2 בטיחות

2.1 הוראות בטיחות כלליות לכלי עבודה חשמליים

⚠ אזהרה קרא את כל הוראות הבטיחות, ההנחיות, האיומים והנתונים הטכניים המצורפים לכלי העבודה החשמלי. אי ציות להנחיות עלול להוביל להתחשמלות, לשרפה ו/או לפציעות קשות.
שמור את כל הוראות הבטיחות וההנחיות לעיון בעתיד.



המונח "כלי עבודה חשמלי" המשמש בהוראות הבטיחות מתייחס לכלי עבודה חשמליים המחוברים להשת חשמל (עם כבל חשמל) או לכלי עבודה חשמליים המופעלים באמצעות סוללה נטענת (ללא כבל חשמל).

בטיחות במקום העבודה

- ◀ **שמור על אזור העבודה שלך נקי ודאג לתאורה מספקת.** חוסר סדר או תאורה לקויה במקום העבודה עלולים לגרום לתאונות.
- ◀ **אין להפעיל את כלי העבודה החשמלי בסביבה שקיימת בה סכנת פיצוץ או שיטת בה נחלים, גזים או אבק דליקים.** כלי עבודה חשמליים יוצרים ניצוצות, שעלולים להצית את האבק או האדים.
- ◀ **הרחק ילדים ואנשים אחרים מכלי העבודה החשמלי במהלך השימוש בו.** אם דעתך תוסח אתה עלול לאבד את השליטה במכשיר.

בטיחות בחשמל

- ◀ **תקע החשמל של כלי העבודה החשמלי חייב להתאים לשקע החשמל.** אסור לשנות בשום אופן את תקע החשמל. אל תשתמש בשקע מתאים בידך עם כלי עבודה חשמליים הכוללים הגנת הארקה. שימוש בתקעים חשמליים שלא עברו שינוי ושקעי חשמל מתאימים מפחית את הסיכון להתחשמלות.
- ◀ **מנע מגע של הגוף בשטחים מוארקים כגון צינורות, גופי חימום, תנורים ומקררים.** קיימת סכנה גבוהה להתחשמלות כאשר הגוף שלך מוארק.
- ◀ **הרחק כלי עבודה חשמליים מגשם או רטיבות.** חדירת מים לכלי העבודה החשמלי מגדילה את הסיכון להתחשמלות.
- ◀ **אל תשתמש בכבל החשמל למטרות שלא לשמן הוא נועד, לדוגמה: אל תרים את כלי העבודה החשמלי באמצעות הכבל ואל תנסה לנתק את התקע משקע החשמל במשיכה מהכבל.** הרחק את הכבל מחום, שמן, פינות חדות או מחלקים נעים. כבלים שנידווקו או שהסתבכו בחלקים אחרים מגדילים את הסיכון להתחשמלות.
- ◀ **כאשר אתה עובד עם כלי העבודה החשמלי בחוץ, השתמש רק בכבל מאריך המיועד לשימוש חיצוני.** שימוש בכבל מאריך המתאים לשימוש חיצוני מפחית את הסיכון להתחשמלות.
- ◀ **אם לא ייתן להימנע משימוש בכלי העבודה החשמלי בסביבה לחה, השתמש בממסר פחת.** השימוש בממסר פחת מפחית את הסיכון להתחשמלות.

בטיחות של אנשים

- ◀ **היה ערבי, שים לב למה שאתה עושה, ופעל בתבונה כאשר אתה עובד עם כלי עבודה חשמלי.** אל תפעיל כלי עבודה חשמליים כשאתה עייף או תחת השפעת סמים, אלכוהול או תרופות. די ברעג אחד של חוסר תשומת-לב בזמן השימוש בכלי העבודה החשמלי כדי לגרום פציעות קשות.
- ◀ **לבש תמיד ציוד מגן ומשקפי מגן.** לבישת ציוד מגן אישי, כגון מסכת אבק, נעלי בטיחות מונעות החלקה, קסדת מגן או מגני שמיעה - בהתאם לסוג השימוש בכלי העבודה החשמלי - מקטינה את הסיכון לפציעות.
- ◀ **מנע הפעלה בשוגג.** ודא שכלי העבודה החשמלי כבוי לפני שאתה מחבר אותו לאספקת החשמל ו/או לפני שאתה מחבר את הסוללה ולפני הרמתו. אל תניח את אצבעך על המתג בזמן שאתה נושא את המכשיר ואל תחבר אותו לאספקת החשמל כאשר הוא מופעל, אחרת עלולות להיגרם תאונות.
- ◀ **הרחק כלי כוונות או מפתחות ברגים לפני שאתה מפעיל את כלי העבודה החשמלי.** כלי עבודה או מפתחות הנמצאים בקרבת חלקים מסתובבים עלולים לגרום פציעות.
- ◀ **הימנע מתכוונות גוף לא נכונות.** עמוד באופן יציב ושומר תמיד על שיווי משקל. כך תוכל לשלוט טוב יותר בכלי העבודה החשמלי במצבים לא צפויים.
- ◀ **לבש בגדים מתאימים.** אל תלבש בגדים רחבים או תכשיטים. הרחק את השער, הבגדים וכפפות מחלקים נעים. בגדים רופפים, תכשיטים ושיער ארוך עלולים להיתפס בחלקים נעים.
- ◀ **כאשר ניתן להתקין התקני שאיבת אבק ולכידה יש לוודא שהם מחוברים לחשמל, ויש להקפיד להשתמש בהם בצורה נכונה.** שימוש בהתקני שאיבת אבק מטפן את הסכנות הנובעות מהאבק.
- ◀ **אל תהיה שאנן בנושאי בטיחות ואל תתעלם מהוראות בטיחות של כלי עבודה חשמליים, גם אם השתמשת במכשיר פעמים רבות ואתה מכיר אותו היטב.** התנהגות רשלנית עלולה להוביל לפציעות קשות בתוך שניות.

שימוש וטיפול בכלי העבודה החשמלי

- ◀ **אל תפעיל עומס רב מדי על המכשיר.** השתמש בכלי העבודה החשמלי המתאים לעבודה שאתה מבצע. כלי העבודה החשמלי המתאים מבטיח לך עבודה טובה ובטוחה יותר בתחום ההספק הקבוע.
- ◀ **אל תשתמש בכלי העבודה אם המתג שלו אינו תקין.** כלי עבודה חשמלי שלא ניתן עוד להפעיל או לכבות אותו מהווה סכנה ויש לתקנו.
- ◀ **נתק את תקע החשמל מהשקע ו/או הסר את הסוללה לפני שאתה מבצע כוונות במכשיר, מחליף כלים או לאחר שאתה מפסיק לעבוד עם המכשיר.** אמצעי זהירות זה מונע הפעלה בשוגג של כלי העבודה החשמלי.
- ◀ **שמור כלי עבודה חשמליים שאינם בשימוש הרחק מהישג ידם של ילדים.** אל תאפשר לאנשים שאינם יודעים כיצד להשתמש במכשיר או שלא קראו את ההוראות להשתמש במכשיר. כלי עבודה חשמליים הם מסוכנים כאשר משתמשים בהם אנשים חסרי ניסיון.
- ◀ **טפל בכלי עבודה חשמליים ובאביזרים בהקפדה.** בדוק אם החלקים הנעים פועלים בצורה חלקה ואינם נתקעים, אם ישנם חלקים שבורים או מקולקלים המשבשים את הפעולה התקינה של כלי העבודה החשמלי. לפני השימוש במכשיר דאג לתיקון חלקים לא תקינים. תאונות רבות נגרמו עקב תחזוקה לקויה של כלי עבודה חשמליים.
- ◀ **שמור על כלי החיתוך חדים ונקיים.** כלי חיתוך מטופלים היטב, שלהביהם חדים נתקעים פחות וקלים יותר לתפעול.
- ◀ **השתמש בכלי העבודה החשמלי, באביזרים, בכלי העבודה הנוספים וכן הלאה בהתאם להוראות אלה.** התחשב בתנאי העבודה ובפעולה שעליך לבצע. שימוש בכלי העבודה החשמלי למטרות אחרות מאלה שלשמן הוא מיועד עלול להיות מסוכן.



שמור על ידיות ואזורים אחידה נקיים מכלוך משומן ומגריד. ידיות ואזורים אחידה חלקים אינם מאפשרים תפעול בטוח ושליטה טובה בכלי העבודה החשמלי במצבים לא צפויים.

שירות

דאג לתיקון כלי העבודה החשמלי שלך רק בידי טכנאים מוסמכים, המשתמשים בחלקי חילוף מקוריים בלבד. כך תבטיח שמירה על בטיחות העבודה במכשיר.

2.2 הנחיות בטיחות לכל העבודות

הנחיות בטיחות משותפות להשחזה ולליטוש בנייר לטש:

- כלי עבודה חשמלי זה מיועד לשימוש כמשחזת וכמלטשת נייר ליטוש. שים לב לכל הנחיות הבטיחות, ההוראות, האזהרות והנתונים שקיבלת עם המכשיר. אם תתעלם מההנחיות הבאות, התוצאה עלולה להיות התחשמלות או/או פציעות קשות.
- אסור להשתמש בכלי עבודה חשמלי זה לעבודות עם מברשות ברזל, להברקה, לחיתוך חורים או כמסור דיסק. שימוש במכשיר שלא למטרה שלשמה הוא יועד מהווה סכנה ועלול לגרום לפציעות.
- אל תשנה את כלי העבודה החשמלי הזה כך שהוא יתפקד באופן שונה מכפי שנקבע במפורש על ידי יצרן כלי העבודה. שינוי מעין זה עלול להוביל אובדן השליטה בכלי ולפציעות קשות.
- אין להשתמש באביזרים שלא פותחו ואושרו על ידי היצרן במיוחד לשימוש בכלי עבודה חשמלי זה. העבודה שאפשר לחבר את האביזר לכלי העבודה החשמלי אינה מבטיחה שהשימוש בו יהיה בטוח.
- מהירות הסיבוב המותרת של הכלי המחובר חייבת להיות גבוהה לפחות כמו המהירות המרבית המצוינת על כלי העבודה החשמלי. כלי מחובר שמסתובב מהר מהמותר עלול להישבר ולהזיק בחלל.
- הקוטר החיצוני והעובי של הכלי המחובר חייבים להתאים לנתונים הדרושים לכלי העבודה שלך. אביזרים במידות לא מתאימות עלולים להיות לא מוגנים מספיק או לעבוד ללא שליטה.
- כלים בעלי חיבור עם תברגי חייבים להתאים בדיוק לתברגי שבצירי המשחזת. בכלים הדורשים התקנה באמצעות אוגן, חייב קוטר הקודקוד של הכלי להתאים לקוטר הכניסה של האוגן. כלים שאינם מחוברים בצורה מדויקת לכלי העבודה החשמלי יסתובבו בצורה לא חלקה, ירעדו חזק מאוד ועלולים לגרום לאבדן שליטה על כלי העבודה.
- אין להשתמש בכלים פגומים. לפני כל שימוש באביזר כגון דיסק השחזה בצע בדיקה לאיתור שברים וסדקים, שחיקה או בלאי מוגבר, בדוק מברשות ברזל לאיתור חוטי ברזל משוחררים או שבורים. אם כלי העבודה או האביזר נופלים, בדוק אם הם ניזוקו או השתמש במכשיר זאת באביזר שלא ניזוק. לאחר שבודקת את הכלי וחיברת אותו, הרחק עצמך ואנשים המצאים בקרבת מקום אל מחוץ למישור התנועה של הכלי המסתובב, ואפשר למכשיר לעבוד דקה שלמה במהירות מרבית. אביזרים פגומים יישברו בדרך כלל במשך דקת הבדיקה.
- למש ציוד מגן אישי. השתמש – בהתאם לסוג העבודה – במשקפי מגן או במגן פנים מלא. לבש מסכת אבק, מגני שמיעה, כפפות מגן או סינר מיוחד שישן עליך מפני חלקיקי חומר – בהתאם לצורך. יש להגן על העיניים מפני גופים זרים שעפים בחלל, כפי שעלול להתרחש בעבודות מסוימות. מסכת אבק ומסכת הנשימה צריכות לסנן אבק שנוצר במהלך השימוש. חשיפה ממושכת לרעש חזק עלולה לפגוע בשמיעה.
- דאג שאנשים אחרים עומדים במרחק בטוח מאזור העבודה. כל מי שנכנס לאזור העבודה חייב ללבוש ציוד מגן אישי. חלקים הנשברים מהחומר שבעבודה או שברים מהאביזר עלולים להתעופף בחלל ולגרום לפציעות גם מחוץ לאזור העבודה המידי.
- כאשר אתה מבצע עבודות שבהן הכלי המחובר עלול לפגוע בקווי חשמלי מוסתרים או בכלל החשמל של המכשיר אחזר בכלי העבודה החשמלי רק במקומות האחידה המבודדים. מגע בקווים המוליכים זרם עלול להעביר זרם גם לחלקים מתכתיים במכשיר שלך ולגרום להתחשמלות.
- הרחק את כבל החשמל מהכלים המסתובבים. אם תאבד את השליטה במכשיר עלול כבל החשמל להיחזק או להיתפס, וכך היד או הזרוע שלך עלולות להיפגע מהכלי המסתובב.
- לעולם אין להניח את כלי העבודה החשמלי לפני שהכלי המחובר נעצר. כלי מסתובב עשוי להיתקל במשטח שעליו הוא מונח, ובעקבות זאת כלי העבודה החשמלי עלול לנוע ללא שליטה.
- אל תאפשר לכלי העבודה החשמלי לפעול אם אינך מחזיק אותו. הבגדים שלך עלולים להיתפס בכלי המסתובב, ובעקבות זאת הכלי עלול לחתוך בגופך.
- נקה באופן סדיר את חריצי האוורור של כלי העבודה החשמלי שלך. מפוח המנוע מושך אבק לגוף המכשיר, והצטברות כמויות גדולות של אבק מתכתי מהווה סכנה חשמלית.
- אין להשתמש בכלי העבודה החשמלי בקרבת חומרים דליקים. ניצוצות עלולים להצית אותם.
- אין להשתמש באביזרים הדורשים חומרי קירור נוזליים. שימוש במים או בחומרי קירור נוזליים אחרים עלול לגרום להתחשמלות.

רמת והנחיות בטיחות מתאימות

רמת הוא תגובה פתאומית עקב היתקעות או חסימה של כלי מסתובב, כגון דיסק השחזה, דיסק ליטוש, מברשת ברזל וכן הלאה. היתקעות או חסימה מובילים לעצירה פתאומית של הכלי המסתובב. עקב כך יאיץ כלי העבודה החשמלי, אם אינו נמצא בשליטה, לכיוון המוגמד של הכלי שבחוסם. כאשר לדוגמה דיסק השחזה נתקע או נחסם בחומר שבעבודה, הקצה של הדיסק שנכנס לחומר עשוי להילכד שם וכך לגרום לפריצת הדיסק או לרדת. הדיסק ינוע כעת לכיוון המפעיל או הרחק ממנו – בהתאם לכיוון הסיבוב של הדיסק במקום החסימה. הדיסק עלול גם להישבר במצב זה. רמת נוצר כתוצאה משימוש שגוי בכלי העבודה החשמלי. ניתן למנוע אותו בעזרת אמצעי הזהירות המוסברים להלן.



- ◀ החזק את כלי העבודה החשמלי בשתי ידיים והבא גופך זרועוניתך לתנוחה שבה יוכלו לספוג את כוחות הרתע. השתמש תמיד בידיית האחיזה הנוספת, אם קיימת, כדי שתהיה לך שליטה גדולה ככל האפשר על כוחות הרתע או מומנטי התגובה בעת האצת המכשיר. המשתמש יכול לשלוט בכוחות הרתע והתגובה אם ינקוט אמצעי זהירות מתאימים.
- ◀ לעולם אל תקרב אל ידך לכלי מסתובב. הכלי עלול לנוע מעל היד שלך במקרה של רתע.
- ◀ דאג שגופך לא יימצא בתחום שלכיוונו כלי העבודה החשמלי ינוע במקרה של רתע. הרתע מושך את כלי העבודה החשמלי לכיוון המנוגד לכיוון התנועה של הדיסק במקום החסימה.
- ◀ היה זהיר במיוחד בעבודה בפינות, על קצוות חדים וכן הלאה. מנע מצב שבו הכלי נהדף מהחומר בעבודה או נתקע בו. בפינות, בקצוות חדים או כאשר הכלי נהדף הוא נוטה להיתקע. זה גורם לאבדן שליטה או לרתע.
- ◀ אל תשתמש בשרשראות או בדיסק ניסור משונן וכן בדיסק יהלום מחורר בעל חריצים ברוחב גדול מ-10 מ"מ. כלים כאלה גורמים לעתים קרובות לרתע או לאבדן השליטה בכלי העבודה החשמלי.

הנחיות בטיחות מיוחדות להשחזה וחיתוך:

- ◀ השתמש אך ורק בכלי השחזה שאושרו לעבודה עם כלי העבודה החשמלי שלך וכן במגן דיסק המתאים לכלי ההשחזה. המגן אינו יכול להגן היטב מפני כלי השחזה שאינם מיועדים לכלי העבודה החשמלי שלך, ולפיכך הם אינם בטוחים.
- ◀ דיסקי השחזה קמורים צריכים להיות מותקנים באופן כזה שהשטח המשחזי שלהם לא יימצא מעל לגובה קצה מגן הדיסק. דיסק השחזה שהותקן בצורה לא נכונה ובלוט מעבר לגובה קצה מגן הדיסק לא יהיה מוגן די הצורך.
- ◀ המגן צריך להיות מחובר בצורה בטוחה לכלי העבודה החשמלי, וכדי להבטיח רמת בטיחות מרבית עליו להיות מכוונו באופן שיתויר שטח כלי גלוי כמה שיתור קטן בכיוון המשתמש. מגן הדיסק עמדה להגן על המשתמש מפני שברים, מגע בשוגג בכלי ההשחזה וכן מפני ניצוצות שעלולים להצית את הבגדים.
- ◀ מותר להשתמש בגופי הליטוש וההשחזה רק לשימושים שלשמן הם אושרו. לדוגמה: לעולם אין להשחזי באמצעות פני השטח הצדדיים של דיסק חיתוך. דיסקי חיתוך מיועדים להסרת חומר בעזרת קצה הדיסק. הפעלת כוח צדי עלולה לשבור את כלי ההשחזה.
- ◀ השתמש תמיד באוגן הידוק שאינו פגום, בגודל המתאים ובצורה המתאימה לדיסק ההשחזה שבחרת. אוגנים מתאימים תומכים בדיסק ההשחזה ומפחיתים את הסכנה לשבירת הדיסק. אוגנים לדיסקי חיתוך עשויים להיות שונים מאוגנים של דיסקים אחרים.
- ◀ אין להשתמש בדיסקי השחזה שחוקים של כלי עבודה חשמליים גדולים יותר. דיסקים של כלי עבודה חשמליים גדולים יותר אינם מיועדים למהירות סיבוב גבוהות של כלי עבודה חשמליים קטנים יותר ועלולים להישבר.
- ◀ השתמש תמיד במגן הדיסק המתאים לעבודה הספציפית כאשר אתה משתמש בגופי ליטוש והשחזה דו-צדדיים. שימוש במגן דיסק שגוי לא יספק הגנה מספקת, מה שעלול להוביל לפציעות קשות.

הנחיות בטיחות מיוחדות לליטוש באמצעות נייר ליטוש:

- ◀ השתמש רק בניירות לטש בגודל מתאים. ציית להוראות היצרן בנוגע לגודל ניירות הלטש. ניירות לטש הבולטים מדי מעבר לדיסק עלולים לגרום לפציעות וכן לחסימה ולקריעה של נייר הלטש וכן לרתע.

2.3 הוראות בטיחות נוספות

בטיחות של אנשים

- ◀ התערבות או ביצוע שינויים במכשיר אסורים.
- ◀ שמור על ידיית האחיזה יבשות, נקיות וללא שמן או גריז.
- ◀ ודא כי ידיית האחיזה הצדית מותקנת בצורה נכונה ומהווקת היטב. אחוז את המכשיר היטב תמיד בשתי ידיים בידיית האחיזה שלו.
- ◀ ערוך הפסקות בעבודה כמו גם תרגילי הרפיה ותרגילי אצבעות כדי לשפר את זרימת הדם לאצבעותיך.
- ◀ המכשיר אינו מיועד לאנשים חלשים ללא הכשרה מתאימה.
- ◀ הרחק את המכשיר מהישיג ידם של ילדים.
- ◀ אין לגעת בחלקים מסתובבים. הפעל את המכשיר רק כשאתה נמצא באזור העבודה. נגיעה בחלקים מסתובבים, ובעיקר בכלים מסתובבים, עלולה לגרום לפציעות.
- ◀ ליטוש והשחזה עלולים ליצור אבק מסוכנים. בדוק לפני תחילת העבודה מהי דרגת הסיכון של האבק שנוצר בעבודה. בעבודה עם המכשיר השתמש במיית האפשר בשואב אבק בעל דירוג הגנה רשמי התואם את תקנות הגנת האבק המקומיות.
- ◀ אבק של חומרים ודגמת צבעים המכילים עופרת, סוגי עץ מסוימים, בטון / קירות לבנים / אבנים המכילות קוורץ ומינרלים כגון מתכת עלולים להזיק לבריאות. נגיעה בסוגי אבק אלה או שאיפתם עלולה לגרום לתגובות אלרגיות ו/או למחלות בכלי הנשימה של המשתמש או של אנשים הנמצאים בקרבת מקום. סוגי אבק מסוימים, כגון אבק של אלון או בוק, נחשבים מסרטנים, במיוחד בשילוב עם חומרים אחרים המשמשים לטיפול בעץ (כרוםט, חומר הגנה לעץ). רק מומחים רשאים לעבוד בחומרים המכילים אסבסט.
- ◀ השתמש בשיאבת אבק כמה שרק ניתן. השתמש בשואב אבק נייד כדי להשיג שאיבה ברמה גבוהה. לבש במקרה הצורך מסיכה להגנה על הנשימה, המתאימה לסוג האבק שבו אתה עובד. דאג לאוורור טוב של מקום העבודה. שים לב לתקנות במדינתך הנוגעות לחומרים השונים שבהם אתה עובד.
- ◀ הסר בקפידה חלקים בולטים, כגון מסמרים, ברגים וכן הלאה, לפני שאתה מתחיל בעבודה.
- ◀ גצים עלולים להיווצר במהלך ליטוש והשחזה. ודא שהעבודה אינה מסכנת אף אדם.

טיפול ושימוש קפדניים בכלי עבודה חשמליים

- ◀ לפני כל הפעלה כמו גם לאחר הפסקות בעבודה ודא שהאביזר המחובר יושב יציב.



בטיחות בחשמל

- ▶ לפני תחילת העבודה בדוק את אזור העבודה כדי לאתר קווי חשמל וצינורות גז או מים מוסתרים; השתמש לכך, לדוגמה, בגלאי מתכות. חלקים מתכתיים חיצוניים של המכשיר עלולים להוליך חשמל במקרה שתפגע בטעות כבל חשמל. לפיכך קיימת סכנה גבוהה להתחשמלות.
- ▶ בדוק באופן סדיר את כבל החשמל של המכשיר, ובמקרה שזיהית נדקים פנה לבעל מקצוע מורשה לצורך החלפתו. אם כבל החשמל של כלי העבודה החשמלי ניזוק, יש להחליפו בכבל חשמלי מתאים ומאושר, שאותו ניתן להשיג משירות הלקוחות שלנו. בדוק את הכבלים המאריכים באופן סדיר והחלף אותם אם ניזוקו. אם כבל החשמל או הכבל המאריך ניזוקו במהלך העבודה אסור לגעת בכבל. נתק את תקע החשמל משקע רשת החשמל. כבלים שניזוקו מהווים סכנה כיוון שהם יכולים לגרום להתחשמלות.
- ▶ העבר מכשירים מלונככים לבדיקה בידי השירות של Hilti במרווחי זמן קבועים במקרה של עיבוד תכופ של חומרים מוליכים. אבק שנדבק לפני השטח של המכשיר, ובמיוחד אבק מחומרים מוליכים או לחות עלולים לגרום להתחשמלות.

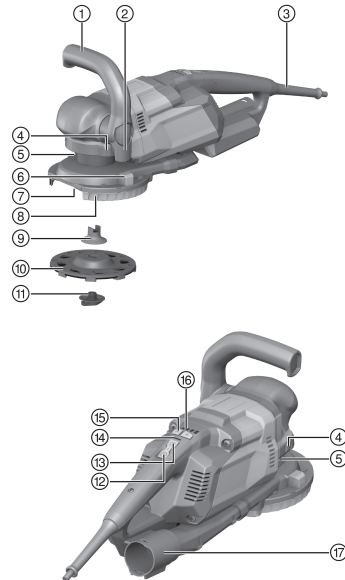
בטיחות אישית

- ▶ דאג לאוורור טוב במקום העבודה. מומלץ ללבוש מסכת נשימה בדירוג סינון P2.
- ▶ דיסק היהלום, חלקים של מגן הדיסק או של המכשיר (ראש המכשיר) עשויים להתחמם בעבודה. מותר לגעת בחלקים אלה רק עם כפפות הגנה, כדי למנוע כוויות.

3 תיאור

3.1 סקירת המוצר 1

- ① ידית אחיזה צדית
- ② מהדק ידית האחיזה הצדית
- ③ כבל חשמל
- ④ לחצנים לשחרור קשת הידוק
- ⑤ כוונון גובה מגן הדיסק
- ⑥ ידית לכוונון הפתח במגן
- ⑦ פתח במגן הדיסק
- ⑧ מגן דיסק עם איטום דפים
- ⑨ אוגן בסיס
- ⑩ דיסק יהלום קעור
- ⑪ בורג הידוק מהיר **Keyless**
- ⑫ לחצן הפעלה/כיבוי
- ⑬ לחצן לקיבוע פעולה רציפה
- ⑭ נורית חייוץ פעולה
- ⑮ לחצני בחירת הילוך
- ⑯ תצוגת הילוך
- ⑰ מתאם שאיבת אבק



3.2 שימוש בהתאם לייעוד

המוצר המתואר הוא מלטשת בטון חשמלית, לליטוש יבש וליטוש עדין של חומרים מינרליים. השתמש במלטשת הבטון רק בשילוב עם שואב אבק. המלטשת מיועדת אך ורק להסרה יבשה מחומרים מינרליים לא מצופים כמו גם להסרת ציפויים דקים מבטון ומחומרים מינרליים אחרים, בעובי של עד 3 מ"מ (0.12 אינץ').

3.3 שימוש שגוי אסור

אין להשתמש בכלים ואביזרים שלא אושרו עבור מוצר זה. אלה כוללים בין היתר דיסקי חיתוך, דיסקי חיתוך יהלום ומברשות ברזל. אין להשתמש במוצר לליטוש רטוב, ואין ללטש עצמים בולטים, כגון מסמרים או ברגים.



אין להשתמש במוצר אם הדפים במגן שאיבת האבק שחוקים, לעולם אין להשתמש במוצר ללא שזואב אבק. לעולם אין להשתמש בכרית הליטוש במהירות סיבוב אסורה. מטען אלקטרוסטטי עלול לגרום להשבתה של הרכיבים האלקטרוניים במוצר. כדי למנוע תופעות אלקטרוסטטיות יש להשתמש בצינור שאיבה אנטיסטטי.

3.4 מפרט אספקה

מלטשת, הוראות הפעלה, אוגן בסיס, בורג הידוק מהיר **Keyless**. מוצרים נוספים המאשרים עבור המוצר שלך תמצא ב- **Hilti Store** או בכתובת: www.hilti.group

4 נתונים טכניים

את המתח הנקוב, הזרם הנקוב, התדירות ו/או ההספק הנקוב תמצא בלוחית הדגם הספציפית למדינתך.



בעת הפעלה באמצעות גנרטור או שנאי הספק המוצא שלהם חייב להיות לפחות כפול מההספק הנקוב המצוין על לוחית הדגם של המכשיר. מתח העבודה של השנאי או הגנרטור חייב להימצא תמיד בטווח שבין +5% לבין -15% ביחס למתח הנקוב של המכשיר.

5.6 ק"ג	משקל בהתאם להליך EPTA 01
3,300 סל"ד	סיבובים לדקה (דרגה 1)
4,125 סל"ד	סיבובים לדקה (דרגה 2)
4,950 סל"ד	סיבובים לדקה (דרגה 3)
5,775 סל"ד	סיבובים לדקה (דרגה 4)
6,600 סל"ד	סיבובים לדקה (דרגה 5)
7,000 סל"ד	מהירות סרק בקובה
150 מ"מ	קוטר דיסק
4 מ"מ ... 4.5 מ"מ	עובי דיסק

4.1 ערכי רעש לפי EN 62841

ערכי לחץ הקול והרעידות המצוינים בהוראות אלה נמדדו בהתאם לנוהל המדידה התקי, וניתן להשתמש בהם לצורך השוואה בין כלי עבודה חשמליים. הם מתאימים גם להערכה זמנית של העומסים. הנתונים המצוינים תקפים לשימושים העיקריים בכלי העבודה החשמלי. אולם אם משתמשים בכלי העבודה החשמלי לשימושים אחרים, בשילוב אביזרים אחרים או אם המכשיר אינו עובר תחזוקה מספקת, הנתונים עשויים להשתנות. בעקבות זאת פריסת העומסים למשך זמן העבודה כולו עשויה להיות גבוהה באופן משמעותי. לצורך הערכה מדויקת של העומסים יש לקחת בחשבון גם את הזמנים שבהם המכשיר כבוי או שבהם הוא פועל אך אינו בשימוש בפועל. בעקבות זאת פריסת העומסים למשך זמן העבודה כולו עשויה להיות נמוכה באופן משמעותי. יש לקבוע הנחיות בטיחות נוספות להגנה על המשתמש מפני ההשפעות של קול ו/או רעידות, כגון: תחזוקה של כלי העבודה החשמלי ושל כלי העבודה המחבורים, שמירה על ידיים חמות, ארגון תהליכי העבודה.

מידע על רעשים

102 dB(A)	רמת הספק קול (L_{WA})
3 dB(A)	אי-ודאות ברמת הספק הקול (K_{WA})
91 dB(A)	רמת לחץ קול (L_{pA})
3 dB(A)	אי-ודאות רמת לחץ קול (K_{pA})

מידע על רעידות

10.5 מ' /שנ"ב ²	ערכי רעידות בליטוש בטון ($a_{n, CG}$)
5.6 מ' /שנ"ב ²	ערכי רעידות בליטוש משטחים ($a_{n, AG}$)
1.5 מ' /שנ"ב ²	אי ודאות (K)

5 הכנה לעבודה

⚠️ זהירות

סכנת פציעה! תחילת תנוע לא מכוונת של המוצר.

נתק את תקע החשמל לפני שאתה מבצע כווננים במכשיר או מחליף אביזרים.



5.1 התקנת כלי

⚠️ זהירות

סכנת נזק וסכנת פציעה כאשר בורג ההידוק המהיר Keyless פגום. בורג ההידוק המהיר Keyless עלול להישרב אם מהדקים אותו יותר מדי.
 ◀ לעולם אל תהדק את בורג ההידוק המהיר Keyless באמצעות כלי עבודה. הדק אותו ידנית בלבד.

1. נקה את התפסנית.
2. הרכב את אוגן הבסיס על הציר, ונעל את אוגן הבסיס.
3. הרכב את האביזר על טבעת המרכז של אוגן הבסיס.
4. הברג את בורג ההידוק המהיר לציר ההנעה, והדק אותו ידנית.

5.2 הסרת כלי

1. שחרר את אום ההידוק.
2. הוצא את האביזר המחובר.

5.3 כוונון ידית האחזיה הצדית

1. כדי לשחרר את ידית האחזיה הצדית, פתח את המהדק.
2. כוון את ידית האחזיה הצדית למיקום המבוקש.
3. סגור את המהדק.

5.4 כוונון מגן הדיסק

דרישה: המלטשת כבויה.

1. הנח את המלטשת על דיסק הליטוש.
2. כוונן את הגובה באמצעות כוונון הגובה.
 ◀ **גובה אופטימלי:** מרווח של כ-1 מ"מ בין הפסים לפני השטח.
3. בעבודה לאורך פינה סובב את הפתח במגן הדיסק למיקום המבוקש.
4. סגור את הפתח בחזרה לאחר סיום העבודה לאורך פינה.

5.5 בחירת הילוך

1. בחר הילוך באמצעות בורר ההילוכים בהתאם לאביזר המחובר ולרמת הקושי של החומר.

אפשר לבחור הילוך רק כאשר המכשיר מחובר לחשמל.



2. השתמש בהילוך 1 לליטוש חומרים מינרליים רכים, כגון צבעים על טיח מינרלי, לשאיבת אבק משופרת ולהסרת ציפויים על מצעים רכים לצורך הולכה קלה יותר של המכשיר.
3. השתמש בהילוך 5 לצורך ליטוש חומרים מינרליים קשים, כגון בטון ואבן, כדי לנצל את מלוא ההספק של כלי העבודה.

6 עבודה

6.1 הפעלה

⚠️ זהירות

סכנת פציעה. אם האביזר אינו מחובר כראוי, הוא עלול להשתחרר.
 ◀ בדוק לפני כל שימוש שהאביזר מחובר היטב.

1. חבר את המלטשת לשואב אבק של אתרי בנייה.
2. הרם את המכשיר ממשטח העבודה.
3. לחץ על מתג ההדלקה/כיבוי והחזק.
 ◀ נורית הבקרה של לחצן הקיבוע מהבהבת.
4. לחץ על לחצן הקיבוע כדי שהמלטשת תפעל ברציפות.

הלחיצה על לחצן הקיבוע צריכה להתבצע בתוך שנייה.



זהירות

סכנת פציעה! דיסקי ליטוש פגומים עלולים להשתחרר.

- ◀ הגן על דיסקי הליטוש מפני חבטות וגרזי.
- ◀ אין להשתמש בדיסקי ליטוש רועדים.

◀ הפעל את המלטשת למשך דקה אחת לפחות ללא עומס.

6.3 השחזה

1. בחר הילוך. ← עמוד 19
2. הדלק את המלטשת. ← עמוד 19
3. הצמד את המכשיר עם הדיסק למשטח והזד אותו מצד לצד.
4. הפעל לחץ מתון בעבודה, ואל תלחץ את המכשיר לתוך החומר.
5. בעת עבודה בחומרים מינרליים קשים במיוחד, כגון בטון בעל תכולת חצץ גבוהה במיוחד, דיסק היהלום עלול להתחמם מדי ועקב כך להינזק. במקרה זה הפסק את הליטוש, והנח לדיסק היהלום להתקרר במהירות טרק ללא עומס לזמן קצר.

6.4 כיבוי

◀ כדי לכבות את המכשיר לחץ על לחצן הקיבוע או מתג ההדלקה/כיבוי.

7 טיפול ותחזוקה
אזהרה

סכנת התחשמלות! עבודות טיפול ותחזוקה כאשר תקע החשמל מחובר לשקע עלולות להוביל לפציעות ולכוויות קשות.
 ◀ לפני ביצוע עבודות טיפול או תחזוקה כלשהן יש להקפיד ולנתק את תקע החשמל!

טיפול

- הסר בזהירות לכלוך שנדבק.
- נקה בזהירות את חריצי האוורור באמצעות מברשת יבשה.
- נקה את גוף המכשיר רק בעזרת מטלית לחה מעט. אין להשתמש בחומרי טיפול המכילים סיליקון, מאחר שהם עלולים לפגוע בחלקי הפלסטיק.

תחזוקה
אזהרה

סכנת התחשמלות! תיקון לא מקצועי של רכיבים חשמליים עלול לגרום לפציעות קשות ולכוויות.
 ◀ רק חשמלאים מורשים רשאים לבצע תיקונים ברכיבים חשמליים.

- יש לבדוק באופן סדיר את כל החלקים הגלויים כדי לאתר נזקים ולוודא שכל הרכיבים פועלים באופן תקין.
- אם ישנם נזקים ו/או תקלות אין להפעיל את המוצר. הבא מיד את המכשיר לתיקון במעבדת שירות של **Hilti**.
- לאחר עבודות טיפול ותחזוקה יש להקפיד ולחבר את כל התקני ההגנה ולבדוק את תפקוד המכשיר.

ליצור הפעלה בטוחה של המכשיר יש להשתמש רק בחלקי חילוף וחומרים מתכלים מקוריים. את חלקי החילוף, החומרים המתכלים והאביזרים שאושרו על-ידנו עבור המוצר שלך תמצא ב-**Hilti Store** שלך או בכתובת: www.hilti.group.

7.1 ביקוי מגן הדיסק ותעלת השאיבה

1. הסר את הכלי. ← עמוד 19
2. הסר את אוגן הבסיס מהציר.
3. העבר את ידידת כוונון הגובה למרכז.
4. לחץ על שני לחצני השחרור ומשוך את קשת ההידוק קדימה.
5. הסר את מגן הדיסק מהמכשיר כלפי מטה.
6. הסר את תעלת השאיבה מהמתאם.
7. נקה את מגן הדיסק, תעלת השאיבה והמתאם.
8. חבר את תעלת השאיבה למתאם. ודא תוך כך שטבעת ה-O יושבת נכון.
9. חבר את מגן הדיסק לתעלת השאיבה. ודא תוך כך שטבעת ה-O יושבת נכון. לאחר מכן דחף את מגן הדיסק על פני הציר לתוך המכשיר.
10. קבע את מגן הדיסק באמצעות קשת ההידוק. ודא תמיד שקשת ההידוק תפוסה היטב.
11. התקן את הכלי. ← עמוד 19



החלף את הדפים כשהם מתבלים.



1. הסר את הכלי. ← עמוד 19
2. משוך את הדפים אל מחוץ למגן הדיסק. השתמש בצבת במקרה הצורך.
3. דחף את הדפים החדשים לחריץ במגן הדיסק עד שהם נתפסים.
4. התקן את הכלי. ← עמוד 19

8 הובלה ואחסון

הובלה

- ◀ אין להוביל את המוצר כאשר מחובר אליו כלי עבודה.
- ◀ ודא שהמכשיר יציב בהובלה.
- ◀ לאחר כל הובלה בדוק את כל החלקים הגלויים לאיתור נזקים ובדוק תפקוד תקין של כל רכיבי ההפעלה.

אחסון

- ◀ יש להקפיד לנתק את התקע לפני האחסון.
- ◀ יש לאחסן מוצר זה במקום יבש הרחק מהישג ידם של ילדים ואנשים לא מורשים.
- ◀ לאחר כל אחסון ממושך בדוק את כל החלקים הגלויים לאיתור נזקים ובדוק תפקוד תקין של כל רכיבי ההפעלה.

9 מידע נוסף

מידע נוסף על ההפעלה, הטכנולוגיה, הגנת הסביבה ומיחזור תמצא בקישור הבא: qr.hilti.com/manual/?id=2240961. את הקישור הזה תמצא גם בסוף תיעוד זה בצורת קוד QR.

10 סילוק

המוצרים של Hilti מיוצרים בחלקם מגדול מחומרים ניתנים למיחזור. כדי שיתן יהיה למחזורם דרושה הפרדת חומרים מקצועית. במדינות רבות Hilti תקבל את המכשיר הישן שלך בחזרה לצורך מיחזור. פנה לשירות של Hilti או למשווק.

◀ אין להשליך כלי עבודה חשמליים, כלים אלקטרוניים וסוללות לפסולת הביתית!



11 אחריות יצרן

◀ אם יש לך שאלות בנושא תנאי האחריות, אנא פנה למשווק Hilti הקרוב אליך.





EC Declaration of Conformity | UK Declaration of Conformity



Manufacturer:
Hilti Corporation
Feldkircherstraße 100
9494 Schaan | Liechtenstein

UK Importer:
Hilti (Gt. Britain) Limited
1 Trafford Wharf Road, Old Trafford
Manchester, M17 1BY

DGH 150 (01)

Serial Numbers: 1-99999999999

2006/42/EC | Supply of Machinery (Safety) Regulations 2008

2011/65/EU | The Restriction of the Use of Certain Hazardous Substances in Electrical and Electronic Equipment Regulations 2012

2014/30/EU | Electromagnetic Compatibility Regulations 2016

EN 60745-1:2009
+A11:2010

EN 55014-1:2017
+A11:2020

EN 61000-3-2:2019

EN 60745-2-3:2011 +A2:2013
+A11:2014 +A12:2014 +A13:2015

EN 55014-2:2015

EN 61000-3-3:2013 +A1:2019

Dr. Tahar Zrilli
Head of Quality and Process Management
Business Area Electric Tools & Accessories

Schaan, 29.09.2021

Johannes Wilfried Huber
Senior Vice President
Business Unit Diamond





Hilti Corporation
LI-9494 Schaan
Tel.:+423 234 21 11
Fax:+423 234 29 65
www.hilti.group



2240961