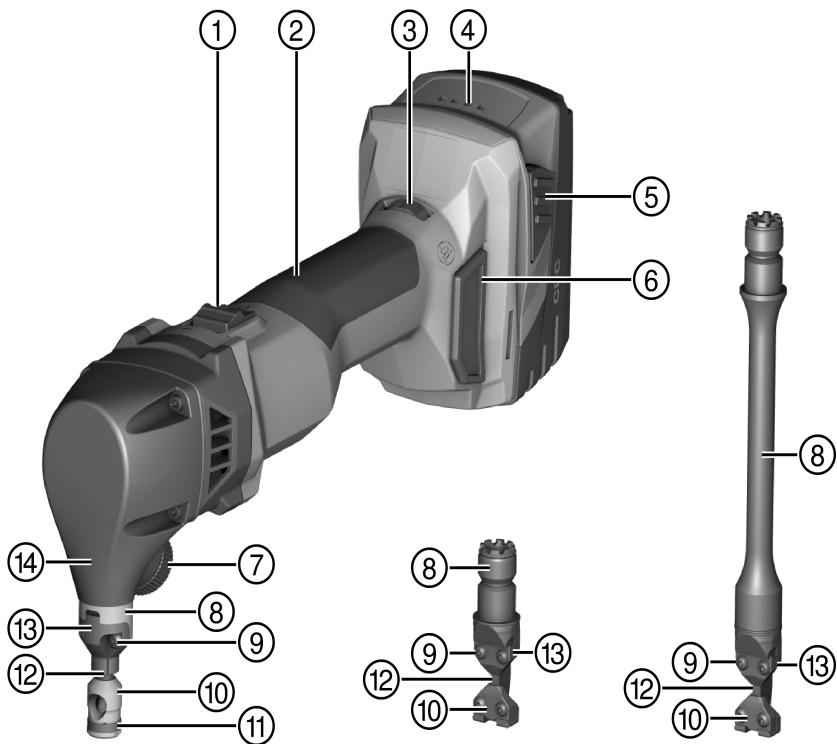


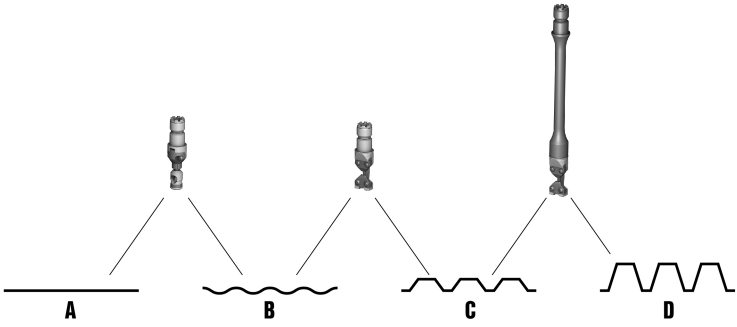


English	1
Dansk	13
Svenska	24
Norsk	36
Suomi	47
Eesti	59
Latviešu	70
Lietuvių	82
Česky	94
Slovenčina	106
Magyar	118
Русский	130
Українська	144
Қазақ	158
Türkçe	171
عربي	183
日本語	196
한국어	207
繁體中文	218
中文	229

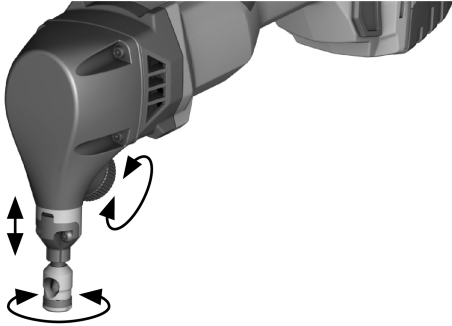
SPN 6-A22



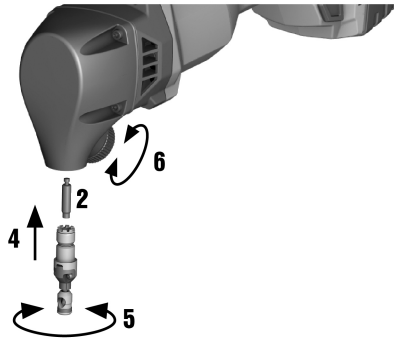
2



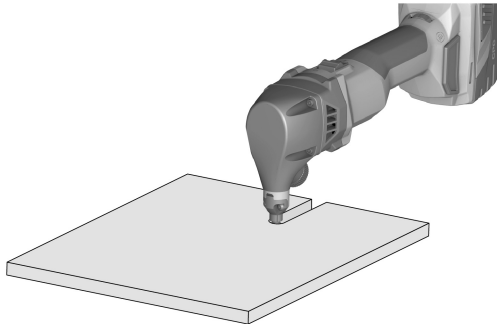
3



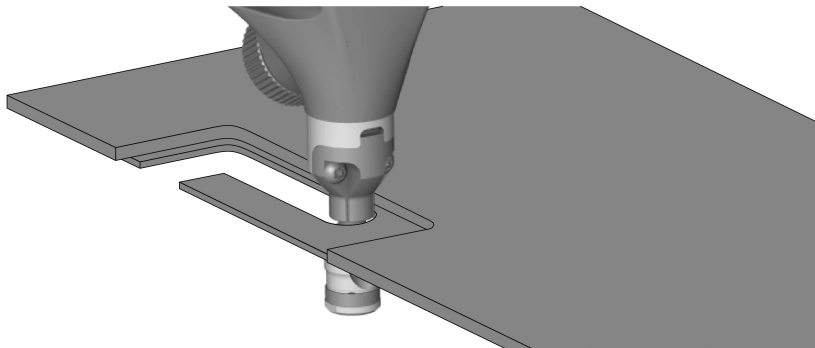
4



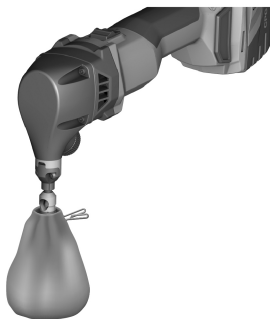
5



6



7



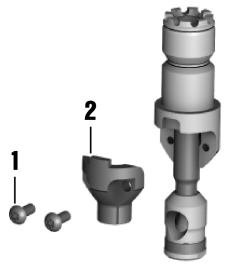
8



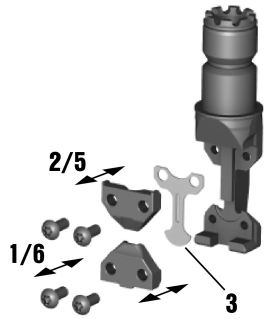
9



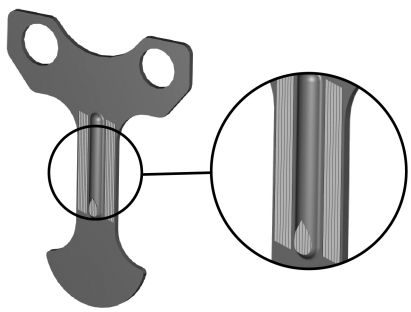
10



11



12



SPN 6-A22

en	Original operating instructions	1
da	Original brugsanvisning	13
sv	Originalbruksanvisning	24
no	Original bruksanvisning	36
fi	Alkuperäiset ohjeet	47
et	Originaalkasutusjuhend	59
lv	Orģinālā lietošanas instrukcija	70
lt	Originali naudojimo instrukcija	82
cs	Originální návod k obsluze	94
sk	Originálny návod na obsluhu	106
hu	Eredeti használati utasítás	118
ru	Перевод оригинального руководства по эксплуатации	130
uk	Оригінальна інструкція з експлуатації	144
kk	Түпнұсқа пайдалану бойынша нұсқаулық	158
tr	Orijinal kullanım kılavuzu	171
ar	دليل الاستعمال الأصلي	183
ja	オリジナル取扱説明書	196
ko	오리지널 사용 설명서	207
zh	原始操作說明	218
cn	原版操作说明	229

Original operating instructions

1 Information about the documentation

1.1 About this documentation

- Read this documentation before initial operation or use. This is a prerequisite for safe, trouble-free handling and use of the product.
- Observe the safety instructions and warnings in this documentation and on the product.
- Always keep the operating instructions with the product and make sure that the operating instructions are with the product when it is given to other persons.

1.2 Explanation of symbols used

1.2.1 Warnings

Warnings alert persons to hazards that occur when handling or using the product. The following signal words are used:

DANGER

DANGER !

- ▶ Draws attention to imminent danger that will lead to serious personal injury or fatality.

WARNING

WARNING !

- ▶ Draws attention to a potential threat of danger that can lead to serious injury or fatality.





CAUTION

CAUTION !

- ▶ Draws attention to a potentially dangerous situation that could lead to personal injury or damage to the equipment or other property.


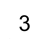


1.2.2 Symbols in the documentation

The following symbols are used in this document:

	Read the operating instructions before use.
	Instructions for use and other useful information
	Dealing with recyclable materials
	Do not dispose of electric equipment and batteries as household waste

1.2.3 Symbols in the illustrations

The following symbols are used in illustrations:

	These numbers refer to the corresponding illustrations found at the beginning of these operating instructions
	The numbering reflects the sequence of operations shown in the illustrations and may deviate from the steps described in the text
	Item reference numbers are used in the overview illustrations and refer to the numbers used in the product overview section
	This symbol is intended to draw special attention to certain points when handling the product.



1.3 Product-dependent symbols

1.3.1 Symbols on the product

The following symbols can be used on the product:

	The power tool supports near-field communication (NFC) technology, which is compatible with iOS and Android platforms.
	HilTi Li-ion battery type series used. Observe the information given in the section headed Intended use .
	Never use the battery as a striking tool.
	Do not drop the battery. Never use a battery that has suffered an impact or is damaged in any other way.
Li-ion	Li-ion battery
	Direct current (DC)
	Wear eye protection

1.4 Product information

products are designed for professional users and only trained, authorized personnel are permitted to operate, service and maintain the products. This personnel must be specifically informed about the possible hazards. The product and its ancillary equipment can present hazards if used incorrectly by untrained personnel or if used not in accordance with the intended use.

The type designation and serial number are printed on the rating plate.

- ▶ Write down the serial number in the table below. You will be required to state the product details when contacting Hilti Service or your local Hilti organization to inquire about the product.

Product information

Nibbler	SPN 6-A22
Generation:	01
Serial no.:	

1.5 Declaration of conformity

We declare, on our sole responsibility, that the product described here complies with the applicable directives and standards. A copy of the declaration of conformity can be found at the end of this documentation.

The technical documentation is filed here:

Hilti Entwicklungsgesellschaft mbH | Tool Certification | Hiltistrasse 6 | 86916 Kaufering, Germany

2 Safety

2.1 General power tool safety warnings

⚠ WARNING Read all safety warnings, instructions, illustrations and specifications provided with this power tool. Failure to follow all instructions listed below may result in electric shock, fire and/or serious injury. **Save all warnings and instructions for future reference.**

The term "power tool" in the warnings refers to your mains-operated (corded) power tool or battery-operated (cordless) power tool.

Work area safety

- ▶ **Keep work area clean and well lit.** Cluttered or dark areas invite accidents.
- ▶ **Do not operate power tools in explosive atmospheres, such as in the presence of flammable liquids, gases or dust.** Power tools create sparks which may ignite the dust or fumes.
- ▶ **Keep children and bystanders away while operating a power tool.** Distractions can cause you to lose control.



Electrical safety

- ▶ **Power tool plugs must match the outlet. Never modify the plug in any way. Do not use any adapter plugs with earthed (grounded) power tools.** Unmodified plugs and matching outlets will reduce risk of electric shock.
- ▶ **Avoid body contact with earthed or grounded surfaces, such as pipes, radiators, ranges and refrigerators.** There is an increased risk of electric shock if your body is earthed or grounded.
- ▶ **Do not expose power tools to rain or wet conditions.** Water entering a power tool will increase the risk of electric shock.
- ▶ **Do not abuse the cord. Never use the cord for carrying, pulling or unplugging the power tool. Keep cord away from heat, oil, sharp edges or moving parts.** Damaged or entangled cords increase the risk of electric shock.
- ▶ **When operating a power tool outdoors, use an extension cord suitable for outdoor use.** Use of a cord suitable for outdoor use reduces the risk of electric shock.
- ▶ **If operating a power tool in a damp location is unavoidable, use a residual current device (RCD) protected supply.** Use of an RCD reduces the risk of electric shock.

Personal safety

- ▶ **Stay alert, watch what you are doing and use common sense when operating a power tool. Do not use a power tool while you are tired or under the influence of drugs, alcohol or medication.** A moment of inattention while operating power tools may result in serious personal injury.
- ▶ **Use personal protective equipment. Always wear eye protection.** Protective equipment such as a dust mask, non-skid safety shoes, hard hat or hearing protection used for appropriate conditions will reduce personal injuries.
- ▶ **Prevent unintentional starting. Ensure the switch is in the off-position before connecting to power source and/or battery pack, picking up or carrying the tool.** Carrying power tools with your finger on the switch or energising power tools that have the switch on invites accidents.
- ▶ **Remove any adjusting key or wrench before turning the power tool on.** A wrench or a key left attached to a rotating part of the power tool may result in personal injury.
- ▶ **Do not overreach. Keep proper footing and balance at all times.** This enables better control of the power tool in unexpected situations.
- ▶ **Dress properly. Do not wear loose clothing or jewellery. Keep your hair and clothing away from moving parts.** Loose clothes, jewellery or long hair can be caught in moving parts.
- ▶ **If devices are provided for the connection of dust extraction and collection facilities, ensure these are connected and properly used.** Use of dust collection can reduce dust-related hazards.
- ▶ **Do not let familiarity gained from frequent use of tools allow you to become complacent and ignore tool safety principles.** A careless action can cause severe injury within a fraction of a second.

Power tool use and care

- ▶ **Do not force the power tool. Use the correct power tool for your application.** The correct power tool will do the job better and safer at the rate for which it was designed.
- ▶ **Do not use the power tool if the switch does not turn it on and off.** Any power tool that cannot be controlled with the switch is dangerous and must be repaired.
- ▶ **Disconnect the plug from the power source and/or remove the battery pack, if detachable, from the power tool before making any adjustments, changing accessories, or storing power tools.** Such preventive safety measures reduce the risk of starting the power tool accidentally.
- ▶ **Store idle power tools out of the reach of children and do not allow persons unfamiliar with the power tool or these instructions to operate the power tool.** Power tools are dangerous in the hands of untrained users.
- ▶ **Maintain power tools and accessories. Check for misalignment or binding of moving parts, breakage of parts and any other condition that may affect the power tool's operation. If damaged, have the power tool repaired before use.** Many accidents are caused by poorly maintained power tools.
- ▶ **Keep cutting tools sharp and clean.** Properly maintained cutting tools with sharp cutting edges are less likely to bind and are easier to control.
- ▶ **Use the power tool, accessories and tool bits etc. in accordance with these instructions, taking into account the working conditions and the work to be performed.** Use of the power tool for operations different from those intended could result in a hazardous situation.
- ▶ **Keep handles and grasping surfaces dry, clean and free from oil and grease.** Slippery handles and grasping surfaces do not allow for safe handling and control of the tool in unexpected situations.



Battery tool use and care

- ▶ **Recharge only with the charger specified by the manufacturer.** A charger that is suitable for one type of battery pack may create a risk of fire when used with another battery pack.
- ▶ **Use power tools only with specifically designated battery packs.** Use of any other battery packs may create a risk of injury and fire.
- ▶ **When battery pack is not in use, keep it away from other metal objects, like paper clips, coins, keys, nails, screws or other small metal objects, that can make a connection from one terminal to another.** Shorting the battery terminals together may cause burns or a fire.
- ▶ **Under abusive conditions, liquid may be ejected from the battery; avoid contact. If contact accidentally occurs, flush with water. If liquid contacts eyes, additionally seek medical help.** Liquid ejected from the battery may cause irritation or burns.
- ▶ **Do not use a battery pack or tool that is damaged or modified.** Damaged or modified batteries may exhibit unpredictable behaviour resulting in fire, explosion or risk of injury.
- ▶ **Do not expose a battery pack or tool to fire or excessive temperature.** Exposure to fire or temperature above 130° C (265 °F) may cause explosion.
- ▶ **Follow all charging instructions and do not charge the battery pack or tool outside the temperature range specified in the instructions.** Charging improperly or at temperatures outside the specified range may damage the battery and increase the risk of fire.

Service

- ▶ **Have your power tool serviced by a qualified repair person using only identical replacement parts.** This will ensure that the safety of the power tool is maintained.
- ▶ **Never service damaged battery packs.** Service of battery packs should only be performed by the manufacturer or authorized service providers.

2.2 Battery use and care

- ▶ Observe the special guidelines applicable to the transport, storage and use of Li-ion batteries.
- ▶ Do not expose batteries to high temperatures, direct sunlight or fire.
- ▶ Do not disassemble, crush or incinerate batteries and do not subject them to temperatures over 80 °C.
- ▶ Do not use or charge batteries that have suffered mechanical impact, have been dropped from a height or show signs of damage. In this case, always contact your **Hilti Service**.
- ▶ If the battery is too hot to touch it may be defective. Put the battery in a place where it is clearly visible and where there is no risk of fire, at an adequate distance from flammable materials. Allow the battery to cool down. If it is still too hot to touch after an hour, the battery is faulty. Contact **Hilti Service**.

2.3 Additional safety instructions

Personal safety

- ▶ Wear protective gloves when working with the product. The accessory tool runs hot when in use and there is a risk of burn injury. The cut edges and metal swarf are sharp-edged and there is a risk of cut injuries.
- ▶ Take breaks between working and do relaxation and finger exercises to improve the blood circulation in your fingers.
- ▶ Wear ear protectors. Exposure to noise can cause hearing loss.
- ▶ Do not work overhead with the product.

Electrical safety

- ▶ Have dirtied or dusty power tools that are used frequently for working on conductive materials checked at regular intervals by Hilti Service. Dust (especially dust from conductive materials) or dampness on the surface of the power tool can, under unfavorable conditions, lead to electric shock.
- ▶ Clean the ventilation slots on the power tool at regular intervals. The motor's fan will draw dust inside the housing and an excessive accumulation of metal dust may cause electrical hazards.
- ▶ Before beginning work, check the working area (e.g. using a metal detector) to ensure that no concealed electric cables or gas and water pipes are present. External metal parts of the tool may become live, for example, if an electric power line is damaged accidentally.
- ▶ Do not attempt to cut workpieces that could be electrically live.

Work area safety

- ▶ Keep the work area clean and tidy. Metal swarf is sharp and can scratch the floor surface.

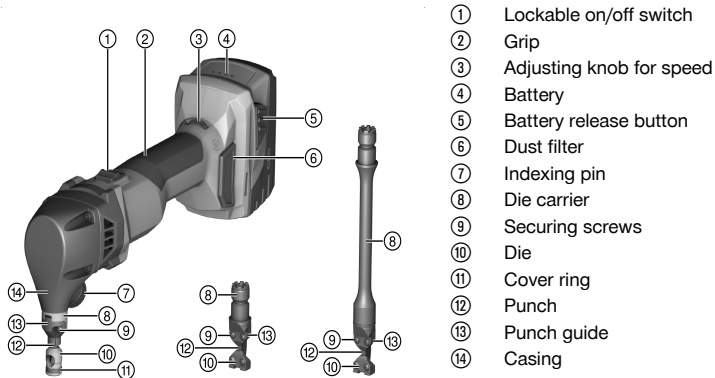


Careful handling and use of electric tools

- ▶ Make sure that there is no swarf or dirt on the product. When working, make sure that no swarf makes its way into the area of the on/off switch. The swarf could block the on/off switch, rendering it impossible to switch the product off.

3 Description

3.1 Product overview



- ① Lockable on/off switch
- ② Grip
- ③ Adjusting knob for speed
- ④ Battery
- ⑤ Battery release button
- ⑥ Dust filter
- ⑦ Indexing pin
- ⑧ Die carrier
- ⑨ Securing screws
- ⑩ Die
- ⑪ Cover ring
- ⑫ Punch
- ⑬ Punch guide
- ⑭ Casing

3.2 Intended use

The product described is a hand-held cordless nibbler. It is designed for cutting sheet-like workpieces out of punchable materials such as steel, aluminum, non-ferrous metal and plastic, for nibbling straight or curved outside edges and cut-outs and for nibbling along marked lines of cut. The nibbling process produces distortion-free cut edges. Other applications are possible as well, depending on the accessory tool used.

SPN-CN: This accessory tool is also designed for cutting pipes, nibbling corrugated metal and nibbling with a template. The hollow round punch enables the nibbler to be rotated about its own axis so that nibbling can proceed in any direction.

Optional: SPN-RN and SPN-RL: These accessory tools are also designed for cutting sheet metal profiles such as trapezoidal sheet metal, corrugated sheet metal, box-section sheet metal and angled moldings.

- ▶ Use only **Hilti** Li-ion batteries of the B 22 series with this product.
- ▶ Use only **Hilti** battery chargers of the C4/36 series for charging these batteries.

3.3 Items supplied

Nibbler, Torx wrench, operating instructions

To help ensure safe and reliable operation, use only genuine Hilti spare parts and consumables. Spare parts, consumables and accessories approved by Hilti for use with the product can be found at your local **Hilti Store** or online at: www.hilti.group



Before being dispatched, the product was tested to ensure that it is in full working order. There workpiece used in testing might have left tiny scratches in the surface of the housing.

3.4 Temperature-dependent motor protection

The temperature-dependent motor protection system monitors current input and motor temperature and thus prevents the power tool overheating.

If the motor is overloaded through application of excessive working pressure, the power tool's performance drops noticeably or it may stall completely.

If the power tool stalls or slows significantly due to overloading, release the pressure applied to the tool and then allow it to run under no load for approx. 30 seconds.



3.5 Li-ion battery charge status display

The charge status of the Li-ion battery is displayed after one of the two battery release buttons is pressed.

Status	Meaning
4 LEDs light.	Charge status: 75 % to 100 %
3 LEDs light.	Charge status: 50 % to 75 %
2 LEDs light.	Charge status: 25 % to 50 %
1 LED lights up.	Charge status: 10 % to 25 %
1 LED flashes.	Charge status: < 10 %

i Indication of the charge status is not possible while the power tool is in operation or immediately after operation. If the battery charge status LEDs flash, please refer to the information given in the Troubleshooting section.

4 Technical data

The nibbler comes with the SPN-CN accessory tool as standard. The SPN-RN and SPN-RL accessory tools are available as optional accessories.

	SPN-CN	SPN-RN	SPN-RL
Rated voltage	21.6 V	21.6 V	21.6 V
Weight in accordance with EPTA Procedure 01 including B22/8.0 battery	3.1 kg	3.0 kg	3.3 kg
Stroke rate at idle speed	620 /min ... 1,370 /min	620 /min ... 1,370 /min	620 /min ... 1,370 /min
Starting hole diameter	17 mm	24 mm	24 mm
Smallest radius for curved cut-outs	4.0 mm	•/•	•/•
Radius	•/•	50 mm	50 mm
Cutting track width	8.0 mm	5.0 mm	5.0 mm
Permissible steel thickness, steel up to 400 N/mm²	2.0 mm / 14 ga	2.0 mm / 14 ga	2.0 mm / 14 ga
Permissible steel thickness, steel up to 600 N/mm²	1.5 mm / 16 ga	1.5 mm / 16 ga	1.5 mm / 16 ga
Permissible steel thickness, steel up to 800 N/mm²	1.0 mm / 20 ga	1.0 mm / 20 ga	1.0 mm / 20 ga
Permissible material thickness, aluminum up to 250 N/mm²	2.5 mm / 10 ga	3.0 mm / 9 ga	3.0 mm / 9 ga

4.1 Battery

Battery operating voltage	21.6 V
Ambient temperature for operation	-17 °C ... 60 °C
Storage temperature	-20 °C ... 40 °C
Battery charging starting temperature	-10 °C ... 45 °C

4.2 Noise information and vibration values in accordance with EN 62841

The sound pressure and vibration values given in these instructions were measured in accordance with a standardized test and can be used to compare one power tool with another. They can also be used for a preliminary assessment of exposure.

The data given represent the main applications of the power tool. However, if the power tool is used for different applications, with different accessory tools, or is poorly maintained, the data can vary. This can significantly increase exposure over the total working period.

An accurate estimation of exposure should also take into account the times when the tool is switched off, or when it is running but not actually being used for a job. This can significantly reduce exposure over the total working period.



Identify additional safety measures to protect the operator from the effects of noise and/or vibration, for example: maintaining the power tool and accessory tools, keeping the hands warm, organization of work patterns.

Noise information

Typical A-weighted emission sound pressure level (L_{pA})	91 dB(A)
Uncertainty for the sound pressure level (K_{pA})	3 dB(A)
Typical A-weighted sound power level (L_{WA})	102 dB(A)
Uncertainty for the sound power level (K_{WA})	3 dB(A)

Vibration information

	SPN-CN	SPN-RN	SPN-RL
Triaxial vibration value (a_h)	6.7 m/s ²	7.4 m/s ²	6.2 m/s ²
Uncertainty (K)	1.5 m/s ²	1.5 m/s ²	1.5 m/s ²

5 Preparations at the workplace

CAUTION

Risk of injury by inadvertent starting!

- ▶ Before inserting the battery, make sure that the product is switched off.
- ▶ Remove the battery before making any adjustments to the power tool or before changing accessories.

Observe the safety instructions and warnings in this documentation and on the product.

5.1 Charging the battery

1. Before charging the battery, read the operating instructions for the charger.
2. Make sure that the contacts on the battery and the contacts on the charger are clean and dry.
3. Use an approved charger to charge the battery.

5.2 Inserting the battery

CAUTION

Risk of injury by short circuit or falling battery!

- ▶ Before inserting the battery, make sure that the contacts on the battery and the contacts on the product are free of foreign matter.
- ▶ Make sure that the battery always engages correctly.

1. Charge the battery fully before using it for the first time.
2. Push the battery into the battery holder until it engages with an audible click.
3. Check that the battery is seated securely.

5.3 Removing the battery

1. Press the battery release buttons.
2. Remove the battery from the tool.

5.4 Accessory tools

See the illustration for the correct combination of accessory tool and material to be worked.

Explanation of the materials to be worked:

- A: Flat sheet metal
- B: Corrugated sheet metal
- C: Trapezoidal sheet metal (profile depth max. 85 mm)
- D: Trapezoidal sheet metal (profile depth max. 162 mm)

To make burr-free cuts in sheet metal up to 1 mm thick with the SPN-RN and SPN-RL accessory tools, the P1 die can be used. The smaller cutting clearance reduces the tendency for burrs to form along the cut.



5.5 Removing the accessory tool 3

1. Back off the indexing pin six full turns counter-clockwise.
2. Remove the accessory tool from the housing.

5.6 Installing the accessory tool 4

1. Grease the punch guide.
2. Engage the punch in the groove of the pushrod.
3. Hold the accessory tool with the cutting direction facing forward.
4. With the cutting direction facing forward, insert the accessory tool into the housing.
5. Then turn the accessory tool to the desired cutting direction.
6. Turn the indexing pin clockwise and tighten it until hand-tight.
 - ▶ Make sure there is no gap between the housing and the die carrier.

5.7 Setting the cutting direction 3

If necessary, the cutting direction can be turned right or left in steps of 45°.

This makes cutting profiled sheets easier and it also enables you to set the nibbler for right-hand or left-hand operation.

1. Back off the indexing pin about three full turns counter-clockwise until it no longer indexes.
2. Pull the accessory tool slightly out of the housing and turn it in the desired direction.
 - ▶ There are eight possible indexed positions.
3. With the accessory tool in the desired indexed position, press it back into the housing.
4. Turn the indexing pin clockwise and tighten it until hand-tight.
 - ▶ Make sure there is no gap between the housing and the die carrier.

5.8 Adjusting the stroke rate

- ▶ Set the stroke rate by turning the adjusting knob for motor speed.

6 Operation

Observe the safety instructions and warnings in this documentation and on the product.

6.1 Switching on

1. Press the rear section of the on/off switch.
2. Slide the on/off switch forward.
 - ▶ The motor runs.
3. Lock the on/off switch.

6.2 Cutting 5



WARNING

Caution Nibbler overloaded due to blunt accessory tools.

- ▶ At regular intervals, check the cutting edge of the punch for wear. Change the punch in good time to minimize the load on the nibbler.
-

1. Lightly coat the intended line of the cut with oil to extend the usable life of the punch and improve the result of the cutting operation.
2. Switch the tool on. → page 8
3. Wait until the tool reaches full speed and bring the nibbler into contact with the workpiece.
 - ▶ When making a cut-out in a sheet, first cut a starting hole of appropriate size for the accessory tool you are going to use.
4. Cut along the desired line of cut.



5. When you reach the end of the cut, switch the product off. If the line of cut ends in the workpiece, with the product still switched on pull it a few millimeters back along the line of the cut before switching it off.



Do not lay the nibbler down in the swarf before it has come to a complete stop. Pieces of swarf could be sucked in by the motor.

6.3 Cutting with template

Option: SPN-CN

The requirements for cutting with a template are as follows:

- The template must be 5 - 7 mm thick.
- The contour of the template must be 2.5 mm distant from the contour of the cut.
- Note that the minimum radius is 4 mm. Accordingly, the minimum radius of the template is 6.5 mm.
- Guide the nibbler in such a way that the outside edge of the punch guide is always in contact with the template.

6.4 Switching off

- ▶ Press the rear section of the on/off switch.
 - ▶ The on/off switch jumps into the off position and the motor stops.

7 Optional accessories

7.1 Installing the swarf bag

Option: SPN-CN

A swarf bag can be installed to catch the pieces of swarf produced by the cutting operation so that they cannot scatter.

1. Squeeze the two ends of the spring in the swarf bag together.
2. Hook the spring round the bottom end of the die and release the ends of the spring.
3. Check that the spring and the swarf bag are correctly seated and secure.

8 Care and maintenance



WARNING

Risk of injury with battery inserted !

- ▶ Always remove the battery before carrying out care and maintenance tasks!

Care and maintenance of the tool

- Carefully remove any dirt that may be adhering to parts.
- Remove the dust filter and clean it and the air vents carefully, using a dry brush.
- Use only a slightly damp cloth to clean the casing. Do not use cleaning agents containing silicone as these can attack the plastic parts.

Care of the lithium-ion batteries

- Keep the battery free from oil and grease.
- Use only a slightly damp cloth to clean the casing. Do not use cleaning agents containing silicone as these may attack the plastic parts.
- Avoid ingress of moisture.

Maintenance

- Check all visible parts and controls for signs of damage at regular intervals and make sure that they all function correctly.
- Do not operate the product if signs of damage are found or if parts malfunction. Have it repaired immediately by **Hilti** Service.
- After cleaning and maintenance, fit all guards or protective devices and check that they function correctly.



i To help ensure safe and reliable operation, use only genuine Hilti spare parts and consumables. Spare parts, consumables and accessories approved by Hilti for use with the product can be found at your local **Hilti Store** or online at: **www.hilti.group**.

8.1 Changing the punch

i When changing the punch, also check for wear of the die, punch guide and wear plate (not SPN-CN) and change these components as well, if they are worn.

1. Remove the accessory tool. → page 8
2. Remove the worn punch from the accessory tool.
3. Grease the new punch and also the punch guide in the accessory tool.
4. If the following equipment exists, also take this action:

Option: SPN-RL

- ▶ Insert the pushrod extension between the pushrod and the punch and grease it.

5. Install the accessory tool. → page 8

8.2 Changing the die

Option: SPN-CN

1. Push the cover ring up and out of the groove.
2. Use a suitable punch to push the straight pin out of the hole.
3. Disengage the die from the carrier pin.
4. Position the new die on the carrier pin.
5. Reinstall the straight pin.
6. Push the cover ring down into the groove and check that it is correctly seated.

8.3 Changing the punch guide

Option: SPN-CN

CAUTION

Risk of damage to product and cutting tools!

- ▶ Clean the threads before installing the securing screws.
- ▶ Always use the new securing screws supplied and tighten the screws to the specified tightening torque.

1. Remove the die. → page 10
2. Remove the securing screws.
3. Lift off the punch guide.
4. Place the new punch guide in position.
5. Insert the securing screws and tighten them to the specified torque.

Technical data	
Tightening torque	3 Nm

6. Reinstall the die.



8.4 Checking die, punch guide and wear plate **11, 12**

Option: SPN-RN
OR SPN-RL

CAUTION

Risk of damage to product and cutting tools!

- ▶ Clean the threads before installing the securing screws.
- ▶ Always use the new securing screws supplied and tighten the screws to the specified tightening torque.

1. Remove the securing screws.
2. Remove the punch guide and the die.
3. Check the wear plate for signs of wear.

Result

If clear signs of wear are visible:

- ▶ Remove the wear plate and install a new replacement.
4. Clean the contact surfaces of the die bearing.
 5. Use the pins to center the punch guide and the die.
 6. Reinstall the securing screws and tighten until hand-tight.
 7. Grease the guide surfaces of the punch guide.
 8. Tighten the securing screws to the specified torque in diagonally opposite sequence.

Technical data

Tightening torque

3 Nm

9 Transport and storage of cordless tools

Transport

CAUTION

Accidental starting during transport !

- ▶ Always transport your products with the batteries removed!
-
- ▶ Remove the battery.
 - ▶ Never transport batteries in bulk form (loose, unprotected).
 - ▶ Check the tool and batteries for damage before use after long periods of transport.

Storage

CAUTION

Accidental damage caused by defective or leaking batteries !

- ▶ Always store your products with the batteries removed!
-
- ▶ Store the tool and batteries in a place that is as cool and dry as possible.
 - ▶ Never store batteries in direct sunlight, on heating units or behind a window pane.
 - ▶ Store the tool and batteries in a place where they cannot be accessed by children or unauthorized persons.
 - ▶ Check the tool and batteries for damage before use after long periods of storage.

10 Troubleshooting

If the trouble you are experiencing is not listed in this table or you are unable to remedy the problem by yourself, please contact **Hilti** Service.

10.1 Troubleshooting

Trouble or fault	Possible cause	Action to be taken
The battery runs down more quickly than usual.	Very low ambient temperature.	▶ Allow the battery to warm up slowly to room temperature.
The battery does not engage with an audible click.	The retaining lugs on the battery are dirty.	▶ Clean the retaining lugs and refit the battery.



Trouble or fault	Possible cause	Action to be taken
1 LED flashes. The power tool does not work.	Low battery.	▶ Change the battery and charge the empty battery.
	The battery is too hot or too cold.	▶ Allow the battery to cool down or warm up slowly to room temperature.
All 4 LEDs flash. The power tool does not work.	The tool has been overloaded.	▶ Release the control switch and then press it again. Then allow the power tool to run under no load for approx. 30 seconds.
The power tool or battery gets very hot.	Electrical fault	▶ Switch the power tool off immediately, remove the battery, keep it under observation, allow it to cool down and contact Hilti Service .
The power tool does not develop full power.	A battery with inadequate capacity was used.	▶ Use a battery with adequate capacity.
Diminishing cutting performance	Punch worn	▶ Change the punch. → page 10
The motor has no braking effect.	Low battery.	▶ Change the battery and charge the empty battery.
	The power tool was overloaded briefly.	▶ Switch the power tool off and then on again.

11 Disposal

Most of the materials from which **Hilti** tools and appliances are manufactured can be recycled. The materials must be correctly separated before they can be recycled. In many countries, your old tools, machines or appliances can be returned to **Hilti** for recycling. Ask **Hilti Service** or your Hilti representative for further information.

Battery disposal

Improper disposal of batteries can result in health hazards from leaking gases or fluids.

- ▶ DO NOT send batteries through the mail!
- ▶ Cover the terminals with a non-conductive material (such as electrical tape) to prevent short circuiting.
- ▶ Dispose of your battery out of the reach of children.
- ▶ Dispose of the battery at your **Hilti Store**, or consult your local governmental garbage disposal or public health and safety resources for disposal instructions.



- ▶ Do not dispose of power tools, electronic equipment or batteries as household waste!

12 RoHS (Restriction of Hazardous Substances)

Click on the link to go to the table of hazardous substances: qr.hilti.com/r10695220.

There is a link to the RoHS table, in the form of a QR code, at the end of this document.

13 Manufacturer's warranty

- ▶ Please contact your local **Hilti** representative if you have questions about the warranty conditions.



Original brugsanvisning

1 Oplysninger vedrørende dokumentationen

1.1 Vedrørende denne dokumentation

- Læs denne dokumentation igennem før ibrugtagning. Det er en forudsætning for sikkert arbejde og korrekt håndtering.
- Følg sikkerheds- og advarselshenvisningerne i denne dokumentation og på produktet.
- Opbevar altid brugsanvisningen sammen med produktet, og overdrag det kun til andre personer sammen med denne anvisning.

1.2 Tegnforklaring

1.2.1 Advarsler

Advarsler advarer mod farer ved håndtering af produktet. Følgende signalord anvendes:



FARE

FARE !

- ▶ Betegner en umiddelbart truende fare, der kan medføre alvorlige kvæstelser eller døden.



ADVARSEL

ADVARSEL !

- ▶ Står ved en potentielt truende fare, der kan medføre alvorlige kvæstelser eller døden.



FORSIGTIG

FORSIGTIG !

- ▶ Advarer om en potentielt farlig situation, der kan forårsage personskader eller materielle skader.

1.2.2 Symboler i denne dokumentation

Følgende symboler anvendes i denne dokumentation:

	Læs brugsanvisningen før brug
	Anvisninger for anvendelse og andre nyttige oplysninger
	Håndtering af genvindbare materialer
	Elektriske maskiner og batterier må ikke bortskaffes som almindeligt husholdningsaffald

1.2.3 Symboler i illustrationer

Følgende symboler anvendes på illustrationer:

	Disse tal henviser til de forskellige illustrationer i begyndelsen af brugsanvisningen
	Nummereringen udtrykker arbejdsstrinnenes rækkefølge på illustrationen og kan afvige fra arbejdsstrinnene i teksten
	Positionsnumre anvendes i illustrationen Oversigt og refererer til tallene i symbolforklaringen i afsnittet Produktoversigt
	Dette symbol skal sikre skærpet opmærksomhed ved omgang med produktet.

1.3 Produktspecifikke symboler

1.3.1 Symboler på produktet

Følgende symboler kan forekomme på produktet:



	Maskinen understøtter NFC-teknologi, som er kompatibel med iOS- og Android-plattforme.
	Anvendt Hilti lithium-ion-batteritypeserie. Overhold oplysningerne i kapitlet Bestemmelsesmæssig anvendelse .
	Brug aldrig batteriet som slagværktøj.
	Lad ikke batteriet falde på gulvet. Brug ikke et batteri, der har fået et slag eller på anden vis er beskadiget.
Li-Ion	Lithium-ion-batteri
	Jævnstrøm
	Brug beskyttelsesbriller

1.4 Produktoplysninger

HILTI-produkter er beregnet til professionel brug og må kun betjenes, efterses og vedligeholdes af autoriseret og instrueret personale. Dette personale skal i særdeleshed informeres om de potentielle farer, der er forbundet med anvendelsen af denne maskine. Der kan opstå farlige situationer ved anvendelse af produktet og det tilhørende udstyr, hvis det anvendes af personer, der ikke er blevet undervist i dens brug, eller hvis det ikke anvendes korrekt i henhold til forskrifterne i denne brugsanvisning.

Typebetegnelse og serienummer fremgår af typeskiltet.

- ▶ Notér serienummeret i den efterfølgende tabel. Du skal bruge produktoplysningerne ved henvendelser til vores lokale afdeling eller vores serviceværksted.

Produktoplysninger

Nipler	SPN 6-A22
Generation:	01
Serienummer:	

1.5 Overensstemmelseserklæring

Vi erklærer som eneansvarlige, at det beskrevne produkt er i overensstemmelse med gældende direktiver og standarder. Sidst i dette dokument finder du et billede af overensstemmelseserklæringen.

Den tekniske dokumentation er arkiveret her:

Hilti Entwicklungsgesellschaft mbH | Zulassung Geräte | Hiltistraße 6 | 86916 Kaufering, DE

2 Sikkerhed

2.1 Generelle sikkerhedsanvisninger for elværktøj

⚠ ADVARSEL Læs alle sikkerhedsanvisninger, henvisninger, billedtekster og tekniske data på elværktøjet. Hvis følgende anvisninger ikke overholdes, er der risiko for elektrisk stød, brand og/eller alvorlige personskader.

Opbevar alle sikkerhedsanvisninger og instruktioner til senere brug.

Det benyttede begreb "elværktøj" i sikkerhedsanvisningerne refererer til elektriske maskiner (med netledning) eller batteridrevne maskiner (uden netledning).

Arbejdspladssikkerhed

- ▶ **Sørg for at holde arbejdsområdet ryddeligt og godt oplyst.** Uorden eller uoplyste arbejdsområder øger faren for uheld.
- ▶ **Brug ikke elværktøj i eksplosionstruede omgivelser, hvor der er brændbare væsker, gasser eller støv.** Elværktøj kan slå gnister, der kan antænde støv eller dampe.
- ▶ **Sørg for, at andre personer og ikke mindst børn holdes væk fra arbejdsområdet, når elværktøjet er i brug.** Hvis man distraheres, kan man miste kontrollen over maskinen.

Elektrisk sikkerhed

- ▶ **Elværktøjets stik skal passe til kontakten. Stikket må under ingen omstændigheder ændres. Brug ikke adapterstik sammen med jordforbundne elværktøj.** Uændrede stik, der passer til kontakterne, nedsætter risikoen for elektrisk stød.



- ▶ **Undgå kropskontakt med jordforbundne overflader som f.eks. rør, radiatorer, komfurer og køleskabe.** Hvis din krop er jordforbundet, øges risikoen for elektrisk stød.
- ▶ **Elværktøj må ikke udsættes for regn eller fugt.** Indtrængning af vand i elværktøj øger risikoen for elektrisk stød.
- ▶ **Brug ikke ledningen til formål, den ikke er beregnet til (f.eks. må man aldrig bære elværktøjet i ledningen, hænge det op i ledningen eller rykke i ledningen for at trække stikket ud af kontakten). Beskyt ledningen mod varme, olie, skarpe kanter eller dele, der er i bevægelse.** Beskadigede eller sammenvlejede ledninger øger risikoen for elektrisk stød.
- ▶ **Hvis elværktøjet benyttes i det fri, må der kun benyttes en forlængerledning, der er egnet til udendørs brug.** Brug af forlængerledning til udendørs brug nedsætter risikoen for elektrisk stød.
- ▶ **Hvis det ikke kan undgås at anvende elværktøjet i fugtige omgivelser, skal du anvende et fejlstrømsrelæ.** Anvendelsen af et fejlstrømsrelæ nedsætter risikoen for et elektrisk stød.

Personlig sikkerhed

- ▶ **Det er vigtigt at være opmærksom, se, hvad man laver, og bruge maskinen fornuftigt. Anvend aldrig elværktøj, hvis du er træt eller påvirket af stoffer, alkohol eller medicin.** Et øjeblik uopmærksomhed under brugen af elværktøjet kan medføre alvorlige personskader.
- ▶ **Brug beskyttelsesudstyr, og hav altid beskyttelsesbriller på.** Brug af sikkerhedsudstyr som f.eks. støvmaske, skridsikkert fodtøj, beskyttelseshjelm eller høreværn afhængigt af elværktøjets type og anvendelse nedsætter risikoen for personskader.
- ▶ **Undgå utilsigtet igangsætning. Kontrollér, at elværktøjet er frakoblet, før du slutter det til strømforsyningen og/eller batteriet, tager det op eller transporterer det.** Undgå at bære elværktøjet med fingeren på afbryderen, og sørg for, at det ikke er tændt, når det sluttes til nettet, da dette øger risikoen for personskader.
- ▶ **Fjern indstillingsværktøj eller skruenøgler, inden elværktøjet tændes.** Hvis et stykke værktøj eller en nøgle sidder i en roterende maskindel, er der risiko for personskader.
- ▶ **Undgå at arbejde i unormale kropstillinger. Sørg for at stå sikkert, mens der arbejdes, og kom ikke ud af balance.** Det er derved nemmere at kontrollere elværktøjet, hvis der skulle opstå uventede situationer.
- ▶ **Brug egnet arbejdstøj. Undgå løse beklædningsgenstande eller smykker. Hold hår, tøj og handsker væk fra dele, der bevæger sig.** Dele, der er i bevægelse, kan gribe fat i løstsiddende tøj, smykker eller langt hår.
- ▶ **Hvis støvudsugnings- og opsamlingsudstyr kan monteres, er det vigtigt, at dette tilsluttes og benyttes korrekt.** Ved at anvende en støvudsugning er det muligt at nedsætte risikoen som følge af støv.
- ▶ **Man må ikke ignorere sikkerhedsreglerne for elværktøj, heller ikke selvom man er fortrolig med brugen af elværktøjet.** Uagtsomhed kan medføre alvorlig tilskadekomst inden for få sekunder.

Anvendelse og pleje af elværktøjet

- ▶ **Undgå at overbelaste maskinen. Brug altid en maskine, der er beregnet til det stykke arbejde, der skal udføres.** Med det rigtige værktøj arbejder man bedst og mest sikkert inden for det angivne effektområde.
- ▶ **Brug ikke elværktøj, hvis afbryderen er defekt.** En maskine, der ikke kan startes og stoppes, er farlig og skal repareres.
- ▶ **Træk stikket ud af stikkontakten, og/eller fjern batteriet fra maskinen, inden du foretager indstillinger på den, skifter tilbehør og dele eller lægger den til side.** Disse sikkerhedsforanstaltninger forhindrer utilsigtet start af elværktøjet.
- ▶ **Opbevar ubenyttede elværktøjer uden for børns rækkevidde. Lad aldrig personer, der ikke er fortrolige med maskinen eller ikke har gennemlæst sikkerhedsanvisningerne, benytte denne.** Elværktøj er farligt, hvis det benyttes af ukyndige personer.
- ▶ **Sørg for at pleje elværktøj omhyggeligt. Kontrollér, om bevægelige dele fungerer korrekt og ikke sidder fast, og om delene er brækket eller beskadiget, således at elværktøjets funktion påvirkes. Få beskadigede dele repareret, inden elværktøjet tages i brug.** Mange uheld skyldes dårligt vedligeholdte elværktøjer.
- ▶ **Sørg for, at skæreværktøjer er skarpe og rene.** Omhyggeligt vedligeholdte skæreværktøjer med skarpe skærekanter sætter sig ikke så hurtigt fast og er nemmere at føre.
- ▶ **Anvend elværktøj, tilbehør, indsatsværktøj osv. i overensstemmelse med disse anvisninger. Tag hensyn til arbejdsforholdene og det arbejde, der skal udføres.** I tilfælde af anvendelse af maskinen til formål, som ligger uden for det fastsatte anvendelsesområde, kan der opstå farlige situationer.
- ▶ **Sørg for, at greb og gribeblader er tørre, rene og fri for olie og fedt.** Glatte greb og gribeblader gør betjeningen usikker, og det kan være svært at styre elværktøjet i uforudsete situationer.



Anvendelse og pleje af batteridrevet elværktøj

- ▶ **Oplad kun batterier i ladere, der er anbefalet af fabrikanten.** Der er risiko for brand, hvis en lader, der er beregnet til et bestemt batteri, anvendes til opladning af en anden batteritype.
- ▶ **Brug kun de batterier, der er beregnet til elværktøjet.** Brug af andre batterier øger risikoen for personskader og er forbundet med brandfare.
- ▶ **Ikke benyttede batterier må ikke komme i berøring med kontorclips, mønter, nøgler, søm, skruer eller andre små metalgenstande, da disse kan kortslutte kontakterne.** En kortslutning mellem batterikontakterne øger risikoen for personskader i form af forbrændinger.
- ▶ **Hvis batteriet anvendes forkert, kan der løbe væske ud af batteriet. Undgå at komme i kontakt med denne væske. Hvis det alligevel skulle ske, skylles med vand. Søg læge, hvis væsken kommer i øjnene.** Batterivæske kan give hudirritation eller forbrændinger.
- ▶ **Brug aldrig et beskadiget eller ændret batteri.** Beskadigede eller ændrede batterier kan virke utilsigtet og medføre brand, eksplosion eller risiko for tilskadekomst.
- ▶ **Batterier må ikke udsættes for åben ild eller høje temperaturer.** Ild eller temperaturer over 130 °C (265 °F) kan medføre eksplosion.
- ▶ **Følg alle anvisninger vedrørende opladning, og oplad aldrig batteriet eller det batteridrevne værktøj uden for det temperaturområde, der er anført i betjeningsvejledningen.** Forkert opladning eller opladning uden for det tilladte temperaturområde kan ødelægge batteriet og øge risikoen for brand.

Service

- ▶ **Sørg for, at elværktøjet kun repareres af kvalificerede fagfolk, og at der altid benyttes originale reservedele.** Dermed sikres størst mulig elværktøjssikkerhed.
- ▶ **Forsøg aldrig at reparere beskadigede batterier.** Al vedligeholdelse af batterier skal foretages af producenten eller af autoriserede forhandlere.

2.2 Omhyggelig omgang med og brug af batterier

- ▶ Læs de særlige retningslinjer for transport, opbevaring og brug af lithium-ion-batterier.
- ▶ Hold batterier på sikker afstand af høje temperaturer, direkte solindstråling og ild.
- ▶ Batterierne må ikke adskilles, klemmes, opvarmes til over 80 °C eller brændes.
- ▶ Anvend og oplad ikke batterier, som har fået et slag, er faldet på gulvet fra mere end en meters højde eller på anden vis er blevet beskadiget. Kontakt i så fald altid **Hilti Service**.
- ▶ Hvis batteriet er for varmt til at kunne røres, kan det være defekt. Anbring batteriet på et overskueligt, ikke-brændbart sted med tilstrækkelig afstand til brændbare materialer. Lad batteriet køle af. Hvis batteriet efter en time fortsat er for varmt til at kunne røres, er det er defekt. Kontakt **Hilti Service**.

2.3 Yderligere sikkerhedsanvisninger

Personlig sikkerhed

- ▶ Brug beskyttelseshandsker, når du arbejder med produktet. Indsatsværktøjet bliver varmt under brugen, der er risiko for forbrændinger. De skæreakanter og metalspåner, som opstår i forbindelse med arbejdet, er skarpe og medfører risiko for personskader.
- ▶ Hold pauser under arbejdet, og lav afspændings- og fingerøvelser, så dine fingre får en bedre blodgennemstrømning.
- ▶ Brug høreværn. Støjpåvirkningen kan medføre høretab.
- ▶ Arbejd ikke med produktet over hovedhøjde.

Elektrisk sikkerhed

- ▶ Få med regelmæssige mellemrum Hilti Service til at kontrollere tilsmudsede maskiner ved hyppig bearbejdning af ledende materialer. Hvis der sidder støv, først og fremmest fra ledende materialer, på maskinens overflade, eller den er fugtig, er der under uheldige omstændigheder risiko for at få elektrisk stød.
- ▶ Rengør regelmæssigt elværktøjets ventilationsåbninger. Motorblæseren trækker støv ind i huset, og en stor ophobning af metalstøv kan indebære elektriske risici.
- ▶ Kontrollér før påbegyndelse af arbejdet arbejdsområdet for skjulte elektriske ledninger, gas- og vandrør, f.eks. med en metal-detektor. Udvendige metaldele på maskinen kan blive spændingsførende, hvis du f.eks. utilsigtet beskadiger en elledning.
- ▶ Skær ikke emner, som potentielt kan være spændingsførende.

Arbejdspladssikkerhed

- ▶ Hold arbejdsområdet ryddeligt. Metalspåner er skarpe og kan medføre ridser i gulvet.

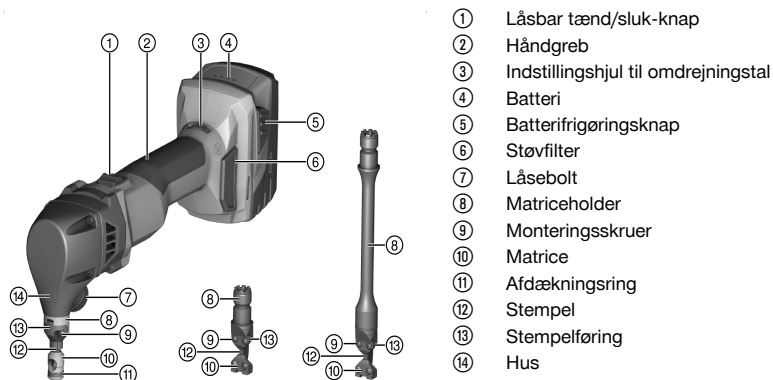


Omhyggelig omgang med og brug af elværktøj

- ▶ Kontrollér, at produktet er fri for spåner og snavs. Vær opmærksom på, at der ikke kommer spåner ind i området omkring tænd/sluk-knappen under arbejdet. Spånerne kan potentielt blokere tænd/sluk-knappen, så produktet ikke længere kan slukkes.

3 Beskrivelse

3.1 Produktoversigt



- ① Låsbar tænd/sluk-knap
- ② Håndgreb
- ③ Indstillingshjul til omdrejningstal
- ④ Batteri
- ⑤ Batterifrigøringsknap
- ⑥ Støvfiltet
- ⑦ Låsebolt
- ⑧ Matriceholder
- ⑨ Monteringskrue
- ⑩ Matrice
- ⑪ Afdækningsring
- ⑫ Stempel
- ⑬ Stempelføring
- ⑭ Hus

3.2 Bestemmelsesmæssig anvendelse

Det beskrevne produkt er en håndført batteridrevet nipler. Den er beregnet til skæring af pladeformede emner af stansematerialer som stål, aluminium, ikke-jernholdige metaller og plast, til nibling af lige eller kurveformede yderkanter og indvendige udskæringer samt til nibling efter opmærkning. Bearbejdningen i forbindelse med nibling giver vridningsfrie skærekanter. Alt efter det anvendte indsatsværktøj kan der udføres yderligere opgaver.

SPN-CN: Dette indsatsværktøj er desuden beregnet til skæring af rør, til bearbejdning af bølgeformede plader og til nibling efter skabelon. På grund af hulrundstempellet kan nipleren drejes på stedet under arbejdet og fortsætte bearbejdningen i vilkårlig retning.

Ekstraudstyr: SPN-RN og SPN-RL: Disse indsatsværktøjer er desuden beregnet til skæring af profilplader som trapezplader, bølgeformede plader, kassetteplader og vinklede profillister.

- ▶ Anvend kun **Hilti** lithium-ion-batterier i typeserien B 22 til dette produkt.
- ▶ Anvend kun **Hilti** ladere i C4/36-serien til disse batterier.

3.3 Leveringsomfang

Nipler, Torx-nøgle, brugsanvisning

Anvend kun originale reservedele og forbrugsmaterialer af hensyn til en sikker drift. Reservedele, forbrugsmaterialer og tilbehør til dit produkt, som vi har godkendt, finder du i dit **Hilti Store Center** eller under: www.hilti.group



Produktet er blevet funktionstestet før levering. Derved kan emnet have lavet minimale ridser på kabinettets overflade.

3.4 Temperaturafhængig maskinbeskyttelse

Det temperaturafhængige motorværn overvåger strømforbrug samt motoropvarmning og beskytter på den måde maskinen mod overophedning.

Ved overbelastning af motoren som følge af for højt tryk nedsættes maskinens ydelse mærkbart, eller måske standser maskinen.

I tilfælde af stilstand eller et fald i omdrejningstallet på grund af en overbelastning skal du aflaste maskinen og lade den køre i ca. 30 sekunder ved tomgangshastighed.



3.5 Ladetilstandsvisioning på lithium-ion-batteri

Lithium-ion-batteriets ladetilstand vises efter berøring af de to batterifrigøringsknapper.

Tilstand	Betydning
4 lysdioder.	Ladetilstand: 75 % til 100 %
3 lysdioder lyser.	Ladetilstand: 50 % til 75 %
2 lysdioder lyser.	Ladetilstand: 25 % til 50 %
1 lysdiode lyser.	Ladetilstand: 10 % til 25 %
1 lysdiode blinker.	Ladetilstand: < 10 %

i Under arbejdet og lige efter er det ikke muligt at få vist ladetilstanden. Hvis lysdioderne på batteriets ladetilstandsindikator blinker, henvises til beskrivelsen i kapitlet Fejlafhjælpning.

4 Tekniske data

Nipleren leveres som standard med indsatsværktøjet SPN-CN. SPN-RN og SPN-RL fås som ekstratilbehør.

	SPN-CN	SPN-RN	SPN-RL
Nominal spænding	21,6 V	21,6 V	21,6 V
Vægt i henhold til EPTA Procedure 01 inklusive batteri B228.0	3,1 kg	3,0 kg	3,3 kg
Slagtal ved tomgang	620/min ... 1.370/min	620/min ... 1.370/min	620/min ... 1.370/min
Starthuldiameter	17 mm	24 mm	24 mm
Mindste radius ved kurveformede udskæringer	4,0 mm	•/•	•/•
Radius	•/•	50 mm	50 mm
Skæresporbredde	8,0 mm	5,0 mm	5,0 mm
Tilladt materialetykkelse, stål op til 400 N/mm²	2,0 mm / 14 Ga	2,0 mm / 14 Ga	2,0 mm / 14 Ga
Tilladt materialetykkelse, stål op til 600 N/mm²	1,5 mm / 16 Ga	1,5 mm / 16 Ga	1,5 mm / 16 Ga
Tilladt materialetykkelse, stål op til 800 N/mm²	1,0 mm / 20 Ga	1,0 mm / 20 Ga	1,0 mm / 20 Ga
Tilladt materialetykkelse, aluminium op til 250 N/mm²	2,5 mm / 10 Ga	3,0 mm / 9 Ga	3,0 mm / 9 Ga

4.1 Batteri

Batteriets driftsspænding	21,6 V
Omgivende temperatur under drift	-17 °C ... 60 °C
Opbevaringstemperatur	-20 °C ... 40 °C
Batteriets temperatur ved start af ladning	-10 °C ... 45 °C

4.2 Støjinformation og vibrationsværdier iht. EN 62841

Lydtryk- og vibrationsværdier i denne brugsanvisning er målt i henhold til en standardiseret målemetode og kan anvendes til sammenligning af forskellige elværktøjer. De kan også anvendes til en foreløbig vurdering af den eksponering, brugeren udsættes for.

De anførte data repræsenterer elværktøjets primære anvendelsesformål. Hvis elværktøjet imidlertid anvendes til andre formål, med andre indsatsværktøjer eller utilstrækkelig vedligeholdelse, kan dataene afvige. Dette kan forøge den eksponering, som brugeren udsættes for, i hele arbejdstiden markant.

For at opnå en præcis vurdering af den eksponering, som brugeren udsættes for, bør også den tid, hvor maskinen er slukket eller blot kører uden at blive anvendt, inddrages. Dette kan reducere den eksponering, som brugeren udsættes for, i hele arbejdstiden markant.

Fastlæg yderligere sikkerhedsforanstaltninger til beskyttelse af brugeren mod støj- og/eller vibrationspåvirkninger, f.eks. er det vigtigt at vedligeholde elværktøj og indsatsværktøj, at holde hænderne varme og at organisere arbejdsprocesserne.



Støjinformation

Typisk A-vægtet lydtrykniveau (L_{pA})	91 dB(A)
Usikkerhed, lydtrykniveau (K_{pA})	3 dB(A)
Typisk A-vægtet lydeffektniveau (L_{WA})	102 dB(A)
Usikkerhed, lydeffektniveau (K_{WA})	3 dB(A)

Vibrationsinformation

	SPN-CN	SPN-RN	SPN-RL
Triaksial vibrationsværdi (a_h)	6,7 m/s ²	7,4 m/s ²	6,2 m/s ²
Usikkerhed (K)	1,5 m/s ²	1,5 m/s ²	1,5 m/s ²

5 Forberedelse af arbejdet

FORSIGTIG

Fare for personskader på grund af utilsigtet start!

- ▶ Før isætning af batteriet skal du kontrollere, at det tilhørende produkt er slukket.
- ▶ Fjern batteriet fra maskinen, inden du foretager indstillinger eller skifter tilbehørsdele på den.

Følg sikkerheds- og advarselshenvisningerne i denne dokumentation og på produktet.

5.1 Opladning af batteri

1. Læs brugsanvisningen til laderen før opladning.
2. Vær opmærksom på, at kontakterne på batteriet og laderen er rene og tørre.
3. Oplad batteriet i en godkendt lader.

5.2 Isætning af batteri

FORSIGTIG

Fare for personskader på grund af kortslutning eller batteri, der falder på gulvet!

- ▶ Før isætning af batteriet skal du kontrollere, at batteriets kontakter og kontakterne på produktet er fri for fremmedlegemer.
- ▶ Kontrollér, at batteriet altid går korrekt i indgreb.

1. Lad batteriet helt op før første ibrugtagning.
2. Sæt batteriet i maskinholderen, indtil det går hørbart i indgreb.
3. Kontrollér, at batteriet er sat korrekt i.

5.3 Fjernelse af batteri

1. Tryk på batteriets frigøringsknapper.
2. Træk batteriet ud af maskinen.

5.4 Værktøj

Den rigtige kombination af indsatsværktøj i forhold til underlaget fremgår af billedet.

Forklaring af underlag:

- A: Flad plade
- B: Bølgeformet plade
- C: Trapezplade (profildybde op til maks. 85 mm)
- D: Trapezplade (profildybde op til maks. 162 mm)

For at kunne udføre et gratfrit snit med værktøjerne SPN-RN og SPN-RL i pladen op til 1 mm tykkelse er det muligt at anvende matricen P1. Den lavere skæreeafstand reducerer gradtannelsen.

5.5 Afmontering af værktøj

1. Løsn låsebolten ved at dreje den seks omdrejninger mod uret.
2. Træk værktøjet ud af kabinettet.



5.6 Montering af værktøj

1. Påfør stempelføringen et tyndt lag fedt.
2. Hægt stemplet på stødstangens not.
3. Juster skæreretningen fremad.
4. Sæt værktøjet med skæreretningen fremad ind i kabinettet.
5. Positionér derefter værktøjet i den ønskede skæreretning.
6. Skru låsebolten i med uret, og spænd den fast med hånden.
 - ▶ Der må ikke være noget mellemrum mellem kabinettet og matriceholderen.

5.7 Indstilling af skæreretning

Om nødvendigt kan skæreretningen drejes mod højre eller venstre i trin på 45°. Det er derved nemmere at bearbejde profilplader og indstille nipleren til højre- og venstrehåndsbetjening.

1. Løs låsebolten med ca. tre omdrejninger mod uret, indtil der ikke længere mærkes modstand.
2. Træk værktøjet lidt ud af kabinettet, og drej det i den ønskede retning.
 - ▶ Der er otte mulige låsepositioner.
3. Skub værktøjet tilbage i kabinettet i den ønskede låseposition.
4. Skru låsebolten i med uret, og spænd den fast med hånden.
 - ▶ Der må ikke være noget mellemrum mellem kabinettet og matriceholderen.

5.8 Indstil slagtalet

- ▶ Indstil slagtalet med indstillingshjulet til omdrejningstal.

6 Betjening

Følg sikkerheds- og advarselshenvisningerne i denne dokumentation og på produktet.

6.1 Tænding

1. Tryk på den bageste del af tænd/sluk-knappen.
2. Skub tænd/sluk-knappen fremad.
 - ▶ Motoren kører.
3. Lås tænd/sluk-knappen.

6.2 Skæring

ADVARSEL

Forsigtig Overbelastning af nipler på grund af sløve værktøjer!

- ▶ Kontrollér regelmæssigt stemplet skær for slitage. Udskift stemplet rettidigt for at skåne nipleren.

1. Påfør skæresporet et tyndt lag olie for at forøge stemplets standtid og forbedre skæresultatet.
2. Tænd produktet. → Side 20
3. Når det fulde omdrejningstal er nået, fører du nipleren hen imod emnet.
 - ▶ Ved indvendige udskæringer skal du først lave en startboring, der passer til det anvendte værktøj.
4. Bearbejd den ønskede skærelinje.
5. Når snittet er udført, skal du slukke produktet. Hvis skæresporet slutter i emnet, skal du trække det tændte produkt nogle millimeter tilbage i skæresporet, før du slukker produktet.



Læg ikke nipleren i spånerne, så længe den ikke er standset helt. Spånerne kan blive suget ind i motoren.



6.3 Skæring med skabelon 6

Ekstratilbehør: SPN-CN

Skæring med skabelon stiller følgende krav:

- Skabelonens tykkelse skal være mellem 5 og 7 mm.
- Skabelonens kontur skal have en afstand på 2,5 mm til skærekonturen.
- Overhold minimumradiussen på 4 mm. Skabelonens minimumradius udgør derfor 6,5 mm.
- Nipleren skal føres, så stempelføringens yderkant altid hviler mod skabelonen.

6.4 Frakobling

- ▶ Tryk på den bageste del af tænd/sluk-knappen.
 - ▶ Tænd/sluk-knappen springer til positionen Fra, og motoren stopper.

7 Ekstra tilbehør

7.1 Montering af spånpose 7

Ekstratilbehør: SPN-CN

For at undgå en ukontrolleret spredning af spånerne kan der monteres en spånpose til opsamling af spånerne.

1. Pres de to ender på fjederen i spånposen sammen.
2. Læg fjederen omkring den nederste ende af matricen, og slip fjederenderne.
3. Kontrollér, at fjederen og spånposen sidder korrekt og sikkert.

8 Rengøring og vedligeholdelse

ADVARSEL

Fare for personskader ved isat batteri !

- ▶ Fjern altid batteriet før alle pleje- og vedligeholdelsesarbejder!

Pleje af maskinen

- Fjern forsigtigt fastsiddende snavs.
- Fjern støvfiltret, og rengør dette og ventilationsåbningerne forsigtigt med en tør børste.
- Rengør kun kabinettet med en let fugtet klud. Undlad at anvende silikoneholdige plejemidler, da de kan angribe plastdelene.

Pleje af lithium-ion-batterier

- Sørg for at holde batteriet tørt og fri for olie og fedt.
- Rengør kun kabinettet med en let fugtet klud. Undlad at anvende silikoneholdige plejemidler, da de kan angribe plastdelene.
- Undgå indtrængen af fugt.

Vedligeholdelse

- Kontrollér regelmæssigt alle synlige dele for skader, og at betjeningslementerne fungerer fejlfrit.
- Anvend ikke produktet i tilfælde af beskadigelse og/eller funktionsfejl. Få omgående udført reparation hos **Hilti Service**.
- Monter alle beskyttelsesanordninger efter pleje- og vedligeholdelsesarbejder, og kontrollér dem for funktion.



Anvend kun originale reservedele og forbrugsmaterialer af hensyn til en sikker drift. Reservedele, forbrugsmaterialer og tilbehør til dit produkt, som vi har godkendt, finder du i dit **Hilti Store Center** eller under: www.hilti.group.

8.1 Udskiftning af stempel 8



Hver gang du udskifter stemplet, skal du også kontrollere slitagen af matrice, stempelføring og slitageplade (ikke for SPN-CN) og om nødvendigt også udskifte disse dele i samme ombæring.



1. Afmonter værktøjet. → Side 19
2. Tag de slidte stemplet ud af værktøjet.
3. Påfør det nye stempel og stempelføringen i værktøjet et tyndt lag fedt.
4. Hvis følgende udstyr findes, skal du desuden udføre denne handling:

Ekstratilbehør: SPN-RL

- ▶ Monter stødstangsforlængeren mellem stødstang og stempel, og påfør denne et tyndt lag fedt.

5. Monter værktøjet. → Side 20

8.2 Udskiftning af matrice 9

Ekstratilbehør: SPN-CN

1. Skub afdækningsringen opad og ud af noten.
2. Pres cylinderstiften ud med en egnet drivdorn.
3. Træk matricen af holdestiften.
4. Sæt den nye matrice på holdestiften.
5. Monter cylinderstiften igen.
6. Pres afdækningsringen ned i noten, og kontrollér, at den sidder korrekt.

8.3 Udskiftning af stempelføring 10

Ekstratilbehør: SPN-CN

FORSIGTIG

Fare for beskadigelse af produkt og skæreværktøjer!

- ▶ Rengør gevindet før isætning af monteringskruerne.
- ▶ Anvend altid de medfølgende nye monteringskruer, og vær opmærksom på det angivne tilspændingsmoment.

1. Afmonter matricen. → Side 22
2. Skru monteringskruerne ud.
3. Fjern stempelføringen.
4. Anbring den nye stempelføring.
5. Spænd monteringskruerne fast med den foreskrevne tilspændingsværdi.

Tekniske data

Tilspændingsmoment	3 Nm
--------------------	------

6. Genmonter matricen.

8.4 Udskiftning af matrice, stempelføring og slitageplade 11, 12

Ekstratilbehør: SPN-RN

ELLER SPN-RL

FORSIGTIG

Fare for beskadigelse af produkt og skæreværktøjer!

- ▶ Rengør gevindet før isætning af monteringskruerne.
- ▶ Anvend altid de medfølgende nye monteringskruer, og vær opmærksom på det angivne tilspændingsmoment.

1. Skru monteringskruerne ud.
2. Tag stempelføringen og matricen af.
3. Kontrollér slitagepladen for tegn på slitage.

Resultat

Hvis der er tydelige tegn på slitage:

- ▶ Fjern slitagepladen, og udskift den med en ny.

4. Rengør støttefladerne på matricelejet.
5. Centrér stempelføringen og matricen ved hjælp af taperne.



6. Skru monteringskruerne i med hånden.
7. Påfør stempelføringens føringsflader et tyndt lag fedt.
8. Krydspænd monteringskruerne med det foreskrevne tilspændingsmoment.

Tekniske data	
Tilspændingsmoment	3 Nm

9 Transport og opbevaring af batteridrevne maskiner

Transport

FORSIGTIG

Utløst start ved transport !

- ▶ Transportér altid dine produkter uden isat batteri!

- ▶ Tag batteriet ud.
- ▶ Transportér aldrig batterier liggende løst og ubeskyttet.
- ▶ Kontrollér maskine og batterier for skader før ibrugtagning efter længere transport.

Opbevaring

FORSIGTIG

Utløst start ved beskadigelse på grund af defekte eller utætte batterier !

- ▶ Opbevar altid dine produkter uden isat batteri!
- ▶ Opbevar maskine og batterier så køligt og tørt som muligt.
- ▶ Opbevar aldrig batterier i direkte sollys, på radiatorer eller i et vindue.
- ▶ Opbevar maskine og batterier utilgængeligt for børn og uvedkommende personer.
- ▶ Kontrollér maskine og batterier for skader før ibrugtagning efter længere tids opbevaring.

10 Fejlafhjælpning

Ved fejl, som ikke fremgår af denne tabel, eller som du ikke selv kan afhjælp, beder vi dig om at kontakte **Hilti Service**.

10.1 Fejlsøgning

Fejl	Mulig årsag	Løsning
Batteriet aflades hurtigere end normalt.	Meget lav omgivende temperatur.	▶ Lad batteriet varme langsomt op til rumtemperatur.
Batteriet går ikke i indgreb med et tydeligt klik.	Låsetapperne på batteriet er beskidte.	▶ Rengør holdetapperne, og bring batteriet i indgreb igen.
1 lysdiode blinker. Maskinen virker ikke.	Batteriet er afladet.	▶ Udskift batteriet, og oplad det tomme batteri.
	Batteriet er for koldt eller for varmt.	▶ Lad batteriet varme langsomt op eller køle langsomt ned til rumtemperatur.
Alle 4 lysdioder blinker. Maskinen virker ikke.	Maskinen er overbelastet.	▶ Slip tænd/sluk-knappen, og betjen den igen. Lad derefter maskinen køre uden belastning i ca. 30 sekunder.
Kraftig varmeudvikling i maskinen eller batteriet.	Elektrisk defekt	▶ Sluk omgående maskinen, tag batteriet ud, hold øje med det, lad det køle af, og kontakt Hilti Service .
Maskinen har ikke fuld ydelse.	Batteri med for lille kapacitet isat.	▶ Anvend et batteri med tilstrækkelig kapacitet.
Faldende skæreeffekt	Stempel slidt	▶ Udskift stemplet. → Side 21
Motoren har ingen bremsefunktion.	Batteriet er afladet.	▶ Udskift batteriet, og oplad det tomme batteri.



Fejl	Mulig årsag	Løsning
Motoren har ingen bremsefunktion.	Maskinen er kortvarigt overbelastet.	► Sluk maskinen, og tænd den igen.

11 Bortskaffelse

Størstedelen af de materialer, som anvendes ved fremstillingen af **Hilti**-produkter, kan genvindes. Materialerne skal sorteres, før de kan genvindes. I mange lande modtager **Hilti** dine udtjente instrumenter med henblik på genvinding. Spørg **Hilti** kundeservice eller din forhandler.

Bortskaffelse af batterier

Som følge af ukorrekt bortskaffelse af batterier kan der opstå sundhedsfare på grund af lækkende gasser eller væsker.

- Beskadigede batterier må under ingen omstændigheder sendes!
- Tildæk kontakterne med et ikke-ledende materiale, så kortslutninger undgås.
- Bortskaf batterier på en sådan måde, at børn ikke kan få fat på dem.
- Bortskaf batteriet hos din **Hilti Store**, eller henvend dig til det ansvarlige renovationsfirma.



- Elværktøj, elektriske maskiner og batterier må ikke bortskaffes sammen med almindeligt husholdningsaffald!

12 RoHS (direktiv til begrænsning af anvendelsen af farlige stoffer)

Under følgende link finder du tabellen med farlige stoffer: qr.hilti.com/r10695220.

Et link til RoHS-tabellen finder du i slutningen af denne dokumentation som QR-kode.

13 Producentgaranti

- Hvis du har spørgsmål vedrørende garantibetingelserne, bedes du henvende dig til din lokale **Hilti**-partner.

Originalbrugsanvisning

1 Uppgifter för dokumentation

1.1 Om denna dokumentation

- Läs denna dokumentation innan du börjar ta enheten i drift. Det är en förutsättning för säkert arbete och problemfri hantering.
- Observera de säkerhets- och varningsanvisningar som du hittar i dokumentationen och på själva enheten.
- Förvara alltid bruksanvisningen tillsammans med produkten och överlämna aldrig produkten till någon annan utan att bifoga den.

1.2 Teckenförklaring

1.2.1 Varningar

Varningarna är till för att varna för risker i samband med användning av produkten. Följande riskindikeringar används:



FARA

FARA !

- Anger överhängande risker som kan leda till svåra personskador eller dödsolycka.



VARNING

VARNING !

- Anger potentiella risker som kan leda till svåra personskador eller dödsfall.



⚠ FÖRSIKTIGHET

FÖRSIKTIGHET !

- Används för att uppmärksamma om en potentiell risksituation som kan leda till skador på person eller utrustning.

1.2.2 Symboler i dokumentationen

I den här dokumentationen används följande symboler:

	Läs bruksanvisningen före användning
	Anmärkningar och annan praktisk information
	Hantering av återvinningsbara material
	Elverktyg och batterier får inte kastas i hushållssoporna

1.2.3 Symboler i bilderna

Följande symboler används i bilder:

	Dessa siffror hänvisar till motsvarande bild i början av bruksanvisningen
	Numreringen återger ordningsföljden hos arbetsmomenten på bilden och kan skilja sig från arbetsmomenten i texten
	På bilden Översikt används positionsnummer som hänvisar till siffrorna i teckenförklaringen i avsnittet Produktöversikt
	Det här tecknet är till för att du ska vara extra uppmärksam på något som gäller hur du hanterar produkten.

1.3 Produktberoende symboler

1.3.1 Symboler på produkten

Följande symboler kan förekomma på produkten:

	Verktyget stöder NFC-teknik, som är kompatibel med iOS- och Android-plattformar.
	Hilti -litiumjonbatteriserie som används. Observera uppgifterna i kapitlet Avsedd användning .
	Använd aldrig batteriet som slagverktyg.
	Låt inte batteriet falla ner på marken. Använd inte batterier som har utsatts för slag eller på annat sätt har skadats.
Li-Ion	Litiumjonbatteri
	Likström
	Använd skyddsglasögon

1.4 Produktinformation

HILTI-produkter är avsedda för professionella användare och får endast användas, underhållas och repareras av auktoriserad, utbildad personal. Personalen måste vara särskilt informerad om de risker som finns. Produkten och dess tillbehör kan utgöra en risk om den används på ett felaktigt sätt av utbildad personal eller inte används enligt föreskrifterna.

Typbeteckning och serienummer anges på typskylten.



- ▶ Använd de serienummer som anges i följande tabell. Du behöver produktuppgifterna när du kontaktar vår återförsäljare eller serviceverkstad.

Produktdetaljer

Nibblare	SPN 6-A22
Generation:	01
Serienr:	

1.5 Försäkringen om överensstämmelse

Vi försäkras på eget ansvar att den produkt som beskrivs här överensstämmer med gällande direktiv och standarder. En bild på försäkringen om överensstämmelse hittar du i slutet av dokumentationen.

Den tekniska dokumentationen finns sparad här:

Hilti Entwicklungsgesellschaft mbH | Zulassung Geräte | Hiltistraße 6 | 86916 Kaufering, Tyskland

2 Säkerhet**2.1 Allmänna säkerhetsföreskrifter för elverktyg**

⚠ VARNING Läs noga igenom alla säkerhetsföreskrifter, anvisningar, avbildningar och tekniska data som medföljer detta elverktyg. Om nedanstående anvisningar inte följs, finns risk för elektriska stötar, brand och/eller svåra skador.

Förvara alla säkerhetsföreskrifter och anvisningarna på ett säkert ställe för framtida användning.

Begreppet "elverktyg" som används i säkerhetsföreskrifterna avser nätdrivna elverktyg (med nätkabel) och batteridrivna elverktyg (sladdlösa).

Säker arbetsmiljö

- ▶ **Håll arbetsområdet rent och väl belyst.** Oordning eller bristfällig belysning på arbetsplatsen kan leda till olyckor.
- ▶ **Arbeta inte med elverktyget i omgivning med explosionsrisk där det finns brännbara vätskor, gaser eller damm.** Elverktyg alstrar gnistor som kan antända dammet eller gaserna.
- ▶ **Håll barn och obehöriga personer på betryggande avstånd under arbetet med elverktyget.** Om du störs av obehöriga personer kan du förlora kontrollen över verktyget.

Elsäkerhet

- ▶ **Elverktygets elkontakt måste passa till vägguttaget. Elkontakten får absolut inte ändras. Använd inte adapterkontakter tillsammans med skyddsjordade elverktyg.** Originalkontakter och lämpliga vägguttag minskar risken för elstötar.
- ▶ **Undvik kroppskontakt med jordade ytor som rör, värmeelement, spisar och kylskåp.** Det finns en större risk för elstötar om din kropp är jordad.
- ▶ **Skydda elverktyget från regn och väta.** Tränger vatten in i ett elverktyg ökar risken för elstötar.
- ▶ **Använd inte anslutningskabeln på ett felaktigt sätt, t.ex. genom att bära eller hänga upp elverktyget i den eller dra i den för att lossa elkontakten ur vägguttaget. Håll anslutningskabeln på avstånd från värmekällor, olja, vassa kanter och rörliga delar.** Skadade eller tilltrasslade anslutningskablar ökar risken för elstötar.
- ▶ **När du arbetar med ett elverktyg utomhus, använd endast förlängningskablar som är avsedda för utomhusbruk.** Genom att använda en lämplig förlängningskabel för utomhusbruk minskar du risken för elstötar.
- ▶ **Om det är alldeles nödvändigt att använda verktyget i fuktig miljö ska du använda en jordfelsbrytare.** Användning av jordfelsbrytare minskar risken för elstötar.

Personsäkerhet

- ▶ **Var uppmärksam, ha uppsikt över vad du gör och använd elverktyget med förnuft. Använd aldrig elverktyg om du är trött eller påverkad av droger, alkohol eller medicin.** En kort sekund av bristande uppmärksamhet när du arbetar med ett elverktyg kan leda till att du skadar dig själv eller någon annan svårt.
- ▶ **Bär alltid personlig skyddsutrustning och skyddsglasögon.** Genom att använda personlig skyddsutrustning som t.ex. dammskyddsmask, halkfria säkerhetsskor, hjälm eller hörselskydd, beroende på vilket elverktyg du använder och till vad, minskar du risken för kroppsskada.
- ▶ **Undvik oavsiktlig igångsättning. Se till att elverktyget är fränkopplat innan du ansluter det till nätströmmen och/eller batteriet, tar upp det eller bär det.** Om du bär elverktyget med fingret på strömbrytaren eller ansluter ett tillkopplat verktyg till nätströmmen kan en olycka inträffa.



- ▶ **Ta bort alla inställningsverktyg och skruvnycklar innan du kopplar in elverktyget.** Ett verktyg eller en nyckel i en roterande komponent kan leda till skador.
- ▶ **Undvik en onormal kroppshållning. Se till att du står stadigt och håller balansen.** Då kan du lättare kontrollera elverktyget i oväntade situationer.
- ▶ **Bär lämpliga kläder. Bär inte löst hängande kläder eller smycken. Håll håret, kläderna och handskarna på avstånd från rörliga delar.** Löst hängande kläder, smycken och långt hår kan dras in av roterande delar.
- ▶ **När du använder elverktyg med anordningar för uppsugning och uppsamling av damm, bör du kontrollera att dessa anordningar är rätt monterade och används korrekt.** Används en dammsugare kan faror som orsakas av damm minskas.
- ▶ **Invagga dig inte i falsk säkerhet och strunta inte säkerhetsreglerna för elverktyg även om du har stor vana vid att arbeta med elverktyget.** Oförsiktig hantering kan leda till allvarliga skador inom bråkdelar av en sekund.

Användning och hantering av elverktyg

- ▶ **Överbelasta inte verktyget. Använd elverktyg som är avsedda för det aktuella arbetet.** Med ett lämpligt elverktyg kan du arbeta bättre och säkrare inom angivet effektområde.
- ▶ **Använd aldrig elverktyget om strömbrytaren är defekt.** Ett elverktyg som inte kan kopplas in eller ur är farligt och måste repareras.
- ▶ **Dra ut elkontakten ur uttaget och/eller ta i förekommande fall bort det löstagbara batteriet innan du gör inställningar, byter tillbehör eller lägger ifrån dig verktyget.** Denna skyddsåtgärd förhindrar att du eller någon annan råkar sätta igång elverktyget av misstag.
- ▶ **Förvara elverktyg oåtkomligt för barn. Verktyget får inte användas av personer som inte är vana eller inte har läst dessa anvisningar.** Elverktyg är farliga om de används av oerfarna personer.
- ▶ **Underhåll elverktygen och tillbehören noggrant. Kontrollera att rörliga komponenter fungerar felfritt och inte kärvar och att komponenter inte har brustit eller skadats så att elverktygets funktion påverkas negativt. Se till att skadade delar repareras innan verktyget används igen.** Många olyckor orsakas av dåligt skötta elverktyg.
- ▶ **Håll insatsverktygen skarpa och rena.** Omsorgsfullt skötta insatsverktyg med skarpa eggar kommer inte så lätt i kläm och går lättare att styra.
- ▶ **Använd elverktyg, tillbehör, insatsverktyg osv. enligt dessa anvisningar. Ta hänsyn till arbetsvillkoren och arbetsmomenten.** Används elverktyget på icke ändamålsenligt sätt kan farliga situationer uppstå.
- ▶ **Se till att handtaget och greppytorna är torra, rena och fria från olja och fett.** Med hala handtag och gripytor går det inte att hantera och kontrollera elverktyget säkert i oväntade situationer.

Användning och hantering av batteriverktyg

- ▶ **Ladda endast batterierna i de laddare som tillverkaren har rekommenderat.** Brandrisk kan uppstå om en laddare som är avsedd för en viss typ av batterier används för andra batterityper.
- ▶ **Använd endast batterier som är avsedda för aktuellt elverktyg.** Används andra batterier finns det risk för kroppsskada och brand.
- ▶ **Håll gem, mynt, nycklar, spikar, skruvar och andra små metallföremål på avstånd från reservbatterier för att undvika kortslutning av kontaktorna.** En kortslutning av batteriets kontakter kan leda till brännskador eller brand.
- ▶ **Om batteriet används på fel sätt kan vätska rinna ur batteriet. Undvik kontakt med vätskan. Vid oavsiktlig kontakt, skölj med vatten. Om vätska kommer i kontakt med ögonen, uppsök dessutom läkare.** Batterivätskan kan orsaka hudirritation eller brännskada.
- ▶ **Använd aldrig skadade eller egenhändigt modifierade batterier.** Skadade eller modifierade batterier kan bete sig oförutsägbart och orsaka brand, explosioner eller risk för skador.
- ▶ **Utsätt aldrig batterier för öppen eld eller för höga temperaturer.** Öppen eld eller temperaturer över 130 °C (265 °F) kan orsaka explosion.
- ▶ **Följ alla anvisningar för laddning och ladda aldrig batteriet eller batteriverktyget vid temperaturer som ligger utanför det intervall som anges i bruksanvisningen.** Felaktigt utförd laddning eller laddning vid temperaturer utanför det tillåtna intervallet kan förstöra batteriet och öka risken för brand.

Service

- ▶ **Låt endast kvalificerad fackpersonal reparera elverktyget och använd då endast originalreservdelar.** Detta garanterar att verktygets säkerhet upprätthålls.
- ▶ **Utför aldrig underhåll på skadade batterier.** Underhåll av batterier får endast utföras av tillverkaren eller av auktoriserade kundservicecenter.



2.2 Omsorgsfull hantering och användning av batterier

- ▶ Observera de särskilda föreskrifterna för transport, förvaring och användning av litiumjonbatterier.
- ▶ Utsätt inte batterierna för höga temperaturer, direkt solljus eller eld.
- ▶ Batterier får inte tas isär, klämmas, hettas upp över 80 °C eller brännas.
- ▶ Använd eller ladda inte batterier som tagit emot slag, har fallit från över en meters höjd eller är skadade på något annat sätt. I sådana fall, kontakta **Hilti-service**.
- ▶ Om batteriet är så hett att du inte kan ta i det kan det vara defekt. Ställ batteriet på en plats där inget riskerar att fatta eld och på betryggande avstånd från brännbart material. Låt batteriet svalna. Om batteriet efter en timme fortfarande är så hett att det inte går att ta i är det defekt. Kontakta **Hilti-service**.

2.3 Extra säkerhetsföreskrifter

Personsäkerhet

- ▶ Ha skyddshandskar på när du arbetar med produkten. Insatsverktyget hettas upp under användning, vilket leder till risk för brännskador. De skärkanter och metallspån som skapas är vassa och det finns risk för personskada.
- ▶ Gör pauser i arbetet samt utför avslappnings- och fingerövningar som ökar blodgenomströmningen i fingrarna.
- ▶ Bär hörselskydd. Buller kan leda till hörselskador.
- ▶ Håll inte produkten ovanför huvudet när du arbetar med den.

Elsäkerhet

- ▶ Låt Hilti-service regelbundet kontrollera verktyg som har blivit smutsiga vid upprepade bearbetning av ledande material. Om verktyget är täckt med damm av material med ledande förmåga eller om det är fuktigt kan du riskera att få en elektrisk stöt.
- ▶ Rengör ventilationspringorna på elverktyget regelbundet. Motorfläkten drar in damm i höljet och om mycket metalldamm samlas kan det utgöra en elektrisk fara.
- ▶ Kontrollera arbetsområdet i förväg, om där finns dolda elkablar, gas- och vattenledningar, med t.ex. en metalldetektor. Yttre metalldelar på verktyget kan bli strömförande om t.ex. en elledning skulle skadas av misstag.
- ▶ Kapa inte arbetsstycken som kan bli strömförande.

Säker arbetsmiljö

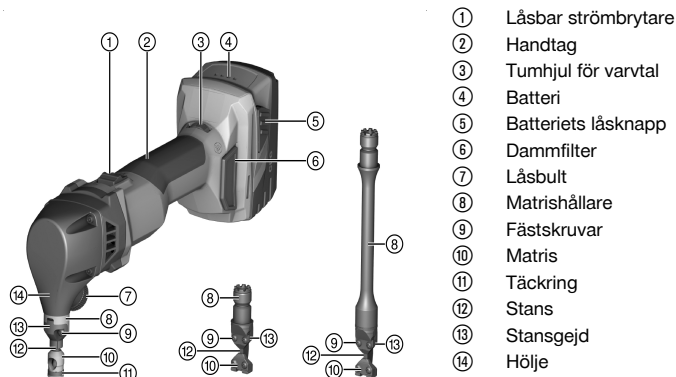
- ▶ Håll arbetsområdet rent. Metallspån är vassa och kan repa golvet.

Omsorgsfull hantering och användning av elverktyg

- ▶ Se till att produkten är fri från spån och smuts. Var noga med att inget spån kommer i närheten av strömbrytaren under arbetet. Spånen kan blockera strömbrytaren så att produkten inte längre kan fränkopplas.

3 Beskrivning

3.1 Produktöversikt



- ① Låsbar strömbrytare
- ② Handtag
- ③ Tumhjul för varvtal
- ④ Batteri
- ⑤ Batteriets låsknapp
- ⑥ Dammfilter
- ⑦ Låsbult
- ⑧ Matrishållare
- ⑨ Fästskruvar
- ⑩ Matris
- ⑪ Täckring
- ⑫ Stans
- ⑬ Stansgejd
- ⑭ Hölje



3.2 Avsedd användning

Den produkt som beskrivs här är en handhållen batteridriven nibblare. Den är avsedd för kapning av plåtformade arbetsstycken av stansbart material såsom stål, aluminium, icke-järnmetall och plast, för nibbling av räta eller böjda ytterkanter och utsnitt, samt för nibbling av ritsar. Bearbetning medelst nibbling ger kapningskanter utan vridningar. Beroende på vilket insatsverktyg som används finns ytterligare tillämpningar. SPN-CN: Detta insatsverktyg är även avsett för rörkapning, för bearbetning av korurerad plåt, samt för nibbling efter schablon. Den konkava stansen gör att det under bearbetning går att vrida på stället och fortsätta i valfri riktning.

Alternativ: SPN-RN och SPN-RL: Dessa insatsverktyg är även avsedda för kapning av profilplåtar såsom korurerad plåt, trapetsplåt, plåtkassetter och vinklade profillister.

- ▶ Använd endast **Hilti** litiumjonbatterier av typen Li-Ion B 22 med produkten.
- ▶ Använd endast **Hilti** batteriladdare i C4/36-serien för dessa batterier.

3.3 Leveransinnehåll

Nibblare, torxnyckel, bruksanvisning

Använd endast originalreservdelar och förbrukningsmaterial för säker drift. Godkända reservdelar, förbrukningsmaterial och tillbehör till din produkt från oss hittar du i närmaste **Hilti Store** eller på: **www.hilti.group**



Produkten testades före leverans. Under testet kan arbetsstycket ha orsakat minimala repor på husets yta.

3.4 Termiskt verktygsskydd

Motorskyddet övervakar strömförbrukning och motortemperatur, vilket förhindrar att verktyget överhettas.

Om motorn överbelastas genom för högt anpressningstryck minskar verktygets effekt påtagligt och det kan hända att verktyget stannar.

Om verktyget överbelastas så att det stannar eller tappar varvtalet bör du minska trycket och låta verktyget gå utan belastning i cirka 30 sekunder.

3.5 Laddningsindikering för litiumjonbatterier

Tryck på en av litiumjonbatteriets utlösningknappar för att se batterinivån.

Status	Betydelse
4 lampor lyser.	Laddningsstatus: 75 % till 100 %
3 lampor lyser.	Laddningsstatus: 50 % till 75 %
2 lampor lyser.	Laddningsstatus: 25 % till 50 %
1 lampa lyser.	Laddningsstatus: 10 % till 25 %
1 lampa blinkar.	Laddningsstatus: < 10 %



Under pågående arbete och strax efteråt går det inte att läsa av laddningsstatus. Läs anvisningarna i kapitlet Felsökning om batteriets lampor för laddningsindikering börjar blinka.

4 Teknisk information

Nibblaren levereras som standard med insatsverktyget SPN-CN. SPN-RN och SPN-RL finns som tillval.

	SPN-CN	SPN-RN	SPN-RL
Märkspänning	21,6 V	21,6 V	21,6 V
Vikt enligt EPTA Procedure 01 inklusive batteri B228.0	3,1 kg	3,0 kg	3,3 kg
Slaghastighet vid tomgång	620 varv/min ... 1 370 varv/min	620 varv/min ... 1 370 varv/min	620 varv/min ... 1 370 varv/min
Starthålsdiameter	17 mm	24 mm	24 mm
Minsta radie vid krökta utsnitt	4,0 mm	•/•	•/•
Radie	•/•	50 mm	50 mm
Kapsårsbredd	8,0 mm	5,0 mm	5,0 mm



	SPN-CN	SPN-RN	SPN-RL
Tillåten materialtjocklek för stål upp till 400 N/mm ²	2,0 mm / 14 Ga	2,0 mm / 14 Ga	2,0 mm / 14 Ga
Tillåten materialtjocklek för stål upp till 600 N/mm ²	1,5 mm / 16 Ga	1,5 mm / 16 Ga	1,5 mm / 16 Ga
Tillåten materialtjocklek för stål upp till 800 N/mm ²	1,0 mm / 20 Ga	1,0 mm / 20 Ga	1,0 mm / 20 Ga
Tillåten materialtjocklek för aluminium upp till 250 N/mm ²	2,5 mm/10 Ga	3,0 mm/9 Ga	3,0 mm/9 Ga

4.1 Batteri

Batteriets driftspänning	21,6 V
Omgivningstemperatur vid drift	-17 °C ... 60 °C
Förvaringstemperatur	-20 °C ... 40 °C
Batteritemperatur när laddningen påbörjas	-10 °C ... 45 °C

4.2 Bullerinformation och vibrationsvärden enligt EN 62841

De ljudtrycks- och vibrationsvärden som anges i anvisningarna har uppmätts med en standardiserad mätmetod och kan användas för att jämföra olika elverktyg med varandra. De kan också användas för att göra en preliminär uppskattning av exponeringarna.

De angivna värdena representerar elverktygets huvudsakliga användning. När elverktyget begagnas inom andra områden, med andra insatsverktyg eller med otillräckligt underhåll, kan mätning ge avvikande värden. Det innebär att exponeringen under den totala arbetstiden kan ökas betydligt.

För att uppskattningen av exponeringarna ska bli exakt bör man också räkna in de tider då verktyget är avstängt eller då det är påslaget men inte används. Det kan betydligt minska exponeringen under den totala arbetstiden.

Vidta även andra säkerhetsåtgärder för att skydda användaren mot effekterna av buller och vibrationer, exempelvis: underhåll av elverktyg och insatsverktyg, möjlighet att hålla händerna varma, välorganiserade arbetsförlopp.

Bullerinformation

Karaktäristisk A-vägd ljudtrycksnivå (L_{pA})	91 dB(A)
Osäkerhet ljudtrycksnivå (K_{pA})	3 dB(A)
Karaktäristisk A-vägd ljudeffektnivå (L_{WA})	102 dB(A)
Osäkerhet ljudeffektnivå (K_{WA})	3 dB(A)

Vibrationsinformation

	SPN-CN	SPN-RN	SPN-RL
Triaxialt vibrationsvärde (a_h)	6,7 m/s ²	7,4 m/s ²	6,2 m/s ²
Osäkerhet (K)	1,5 m/s ²	1,5 m/s ²	1,5 m/s ²

5 Förberedelser för arbete



FÖRSIKTIGHET

Risk för personskada till följd av oavsiktlig start!

- ▶ Kontrollera att produkten är avstängd innan du sätter i batteriet.
- ▶ Ta alltid bort batteriet innan du gör några inställningar på verktyget eller byter tillbehörsdelar.

Observera de säkerhets- och varningsanvisningar som du hittar i dokumentationen och på själva enheten.

5.1 Laddning av batteri

1. Läs batteriladdarens bruksanvisning innan du laddar batteriet.
2. Se till att batteriets och batteriladdarens sladdar är rena och torra.
3. Ladda batteriet i en godkänd batteriladdare.



5.2 Sätta i batteriet

FÖRSIKTIGHET

Risk för personskada på grund av kortslutning eller nedfallande batteri!

- ▶ Kontrollera innan du sätter in batteriet i produkten att både batteriets och produktens kontakter är fria från smuts och andra hinder.
- ▶ Säkerställ att batteriet alltid hakar i ordentligt.

1. Ladda batteriet helt innan det används första gången.
2. Sätt i batteriet i verktygshållaren så att du hör att det klickar fast.
3. Kontrollera att batteriet sitter stadigt.

5.3 Ta ur batteri

1. Tryck in batteriets spärrar.
2. Ta ut batteriet ur verktyget.

5.4 Insatsverktyg 2

För lämplig kombination av insatsverktyg och underlag, se bilden.

Exempel på grundmaterial:

- A: Planplåt
- B: Korrugerad plåt
- C: Trapetsplåt (profil djup max. 85 mm)
- D: Trapetsplåt (profil djup max. 162 mm)

Matrisen P1 kan användas för att gradfritt kapa plåt med en tjocklek på upp till 1 mm med insatsverktygen SPN-RN och SPN-RL. Den lägre spelrummet minskar gradbildningen.

5.5 Demontera insatsverktyg 3

1. Lossa låsbulten genom att vrida på den åtta varv moturs.
2. Dra ut insatsverktyget ur höljet.

5.6 Montera insatsverktyg 4

1. Smörj stansgejden.
2. Snäpp fast stansen i spåret på stöddelen.
3. Ställ in kapningsriktningen så att den pekar framåt.
4. Sätt in insatsverktyget med kapningsriktningen framåt i höljet.
5. Placera sedan insatsverktyget i önskad kapningsriktning.
6. Skruva in låsbultarna medurs och dra åt dem för hand.
 - ▶ Det ska inte finnas något mellanrum mellan höljet och matrishållaren.

5.7 Ställa in kapningsriktning 5

Vid behov kan kapningsriktningen vridas åt höger eller vänster i steg om 45°.

Det gör det lättare att bearbeta profilplåtar och att ställa in nibblaren för höger- eller vänsterhandsfattning.

1. Lossa låsbultarna med ca tre varv moturs tills det inte går att känna någon spärrverkan.
2. Dra ut verktyget en bit ur höljet och vrid det i önskad riktning.
 - ▶ Det finns åtta möjliga spärrlägen.
3. Skjut tillbaka verktyget in i höljet när det sitter i önskat spärrläge.
4. Skruva in låsbultarna medurs och dra åt dem för hand.
 - ▶ Det ska inte finnas något mellanrum mellan höljet och matrishållaren.

5.8 Ställa in slaghastighet

- ▶ Ställ in slaghastigheten via tumhjulet för varvtal.



6 Användning

Observera de säkerhets- och varningsanvisningar som du hittar i dokumentationen och på själva enheten.

6.1 Tillkoppling

1. Tryck på den bakre delen av på/av-knappen.
2. Skjut på/av-knappen framåt.
 - ▶ Motorn går.
3. Lås fast på/av-knappen.

6.2 Kapning 5



VARNING

Försiktighet Nibblaren överbelastas på grund av slöa insatsverktyg!

- ▶ Kontrollera regelbundet slitaget på stansens skär. Skona nibblaren genom att byta ut stansen i god tid.

1. Bestryk skärspåret med olja för att förlänga stansens livstid och förbättra kapresultatet.
2. Sätt på produkten. → Sidan 32
3. När fullständigt varvtal har uppnåtts för du nibblaren mot arbetsstycket.
 - ▶ Vid inre utsnitt ska du först göra ett starthål som passar det insatsverktyg som används.
4. Redigera den önskade kapningslinjen.
5. När kapningen är avslutad stänger du av produkten. Om skärspåret slutar inne i arbetsstycket ska du först dra den påslagna produkten tillbaka i skärspåret några millimeter innan du stänger av den.



Lägg inte nibblaren i spånen om den inte är helt stillastående. Spånen kan matas in av motorn.

6.3 Kapning med schabloner 6

Alternativ: SPN-CN

Føljande krav måste uppfyllas vid kapning med schabloner:

- Schablonen måste ha en tjocklek på 5–7 mm.
- Avståndet mellan schablonens kontur och kapningskonturen måste vara 2,5 mm.
- Tänk på att den minsta radien är 4 mm. Schablonens minsta radie är därmed 6,5 mm.
- Nibblaren måste styras på så sätt att stansgejdens ytterkant alltid ligger an mot schablonen.

6.4 Frånkoppling

- ▶ Tryck på den bakre delen av på/av-knappen.
 - ▶ På/av-knappen fjädrar ut till Av-position och motorn stannar.

7 Valbara tillbehör

7.1 Montera spånpåse 7

Alternativ: SPN-CN

För att undvika att spånen sprids ut okontrollerat går det att montera en spånsäck som spånen samlas upp i.

1. Tryck ihop de båda ändarna av fjädern i spånsäcken.
2. Lägg fjädern runt matrisens nedre ände och släpp loss fjäderns ändrar.
3. Kontrollera att fjäder och spånsäck är rätt monterade och sitter fast ordentligt.

8 Skötsel och underhåll



VARNING

Risk för personskada vid anslutet batteri !

- ▶ Ta alltid bort batteriet innan skötsel och underhåll utförs!



Verktygets skötsel

- Ta försiktigt bort smuts som fastnat på verktyget.
- Ta bort dammfiltret och rengör både det och ventilationspringorna försiktigt med en torr borste.
- Rengör höljet med en lätt fuktad trasa. Använd inte rengöringsmedel med silikon, eftersom det kan skada plastdelarna.

Skötsel av litiumjonbatterier

- Håll batteriet rent och fritt från olja och fett.
- Rengör höljet med en lätt fuktad trasa. Använd inte rengöringsmedel med silikon, eftersom det kan skada plastdelarna.
- Se till att ingen fukt tränger in.

Underhåll

- Kontrollera regelbundet att inga synliga delar har skadats och att alla reglage fungerar som de ska.
- Använd inte produkten om den uppvisar skador eller funktionsstörningar. Skicka den direkt till **Hilti Service** för reparation.
- Efter att skötsel- och underhållsarbete utförts ska alla skyddsanordningar alltid monteras och kontrolleras.



Använd endast originalreservdelar och förbrukningsmaterial för säker drift. Godkända reservdelar, förbrukningsmaterial och tillbehör till din produkt från oss hittar du i närmaste **Hilti Store** eller på: www.hilti.group.

8.1 Byta stans



Varje gång som du byter stans ska du också kontrollera slitaget på matrisen, stansgejden och slitplattan (gäller ej SPN-CN) och vid behov byta ut dem.

1. Demontera insatsverktyget. → Sidan 31
2. Ta ut den utslitna stansen ur verktyget.
3. Smörj den nya stansen och stansgejden i verktyget.
4. Utför denna hantering om följande utrustning finns:

Alternativ: SPN-RL

- Montera stötdelsförlängningen mellan stötdelen och stansen och smörj den.

5. Montera insatsverktyget. → Sidan 31

8.2 Byta matris

Alternativ: SPN-CN

1. Skjut täckringen uppåt ur spåret.
2. Tryck ut det cylindriska stiftet med lämplig drivdom.
3. Dra av matrisen från det bärande stiftet.
4. Sätt den nya matrisen på det bärande stiftet.
5. Montera tillbaka det cylindriska stiftet.
6. Skjut ner täckringen i spåret och kontrollera att den sitter rätt.

8.3 Byta stansgejd

Alternativ: SPN-CN



FÖRSIKTIGHET

Risk för skador på produkten och skärverktygen!

- Rengör gångorna innan du monterar fästskruvarna.
- Använd alltid de medföljande, nya fästskruvarna och observera det angivna åtdragningsmomentet.

1. Demontera matriserna. → Sidan 33
2. Demontera fästskruvarna.
3. Ta bort stansgejden.
4. Sätt dit den nya stansgejden.



5. Montera tillbaka fästskruvarna med angivet åtdragningsmoment.

Teknisk information

Åtdragningsmoment

3 Nm

6. Montera tillbaka matriserna.

8.4 Byta matris, stansgejd och slitplatta 11, 12

Alternativ: SPN-RN
ELLER SPN-RL

**FÖRSIKTIGHET**

Risk för skador på produkten och skärverktygen!

- ▶ Rengör gängorna innan du monterar fästskruvarna.
- ▶ Använd alltid de medföljande, nya fästskruvarna och observera det angivna åtdragningsmomentet.

1. Demontera fästskruvarna.
2. Ta av stansgejden och matrisen.
3. Kontrollera om slitplattan har spår av slitage.

Resultat

Om det går att se tydliga spår av slitage:

- ▶ Ta bort slitplattan och byt ut den mot en ny.
4. Rengör bärytorna på matrislagret.
 5. Centra stansgejden och matrisen med hjälp av tapparna.
 6. Montera fästskruvarna och dra åt dem för hand.
 7. Smörj in styrytorna på stansen.
 8. Dra åt fästskruvarna med angivet åtdragningsmoment.

Teknisk information

Åtdragningsmoment

3 Nm

9 Transport och förvaring av batteridrivna verktyg**Transport****FÖRSIKTIGHET**

Oavsiktlig start under transport. !

- ▶ Transportera alltid produkten utan insatta batterier.
- ▶ Ta bort batterierna.
- ▶ Transportera aldrig batterierna löst liggande.
- ▶ Kontrollera att verktyget och batterierna är oskadade innan de används efter längre transporter.

Förvaring**FÖRSIKTIGHET**

Oavsiktlig skada på grund av trasiga eller läckande batterier. !

- ▶ Förvara alltid produkten utan insatta batterier.
- ▶ Förvara verktyget och batterierna så svalt och torrt som möjligt.
- ▶ Förvara aldrig batterierna i direkt solsken, på värmeelement eller bakom glasrutor.
- ▶ Förvara verktyget och batterierna oåtkomliga för barn och obehöriga personer.
- ▶ Kontrollera att verktyget och batterierna är oskadade innan de används efter en längre tids förvaring.

10 Felsökning

Kontakta **Hilti Service** om det uppstår ett fel som inte finns med i den här tabellen eller som du inte lyckas åtgärda på egen hand.



10.1 Felsökning

Fel	Möjlig orsak	Lösning
Batteriet laddar ur fortare än vanligt.	Mycket låg omgivningstemperatur.	► Värm långsamt upp batteriet till rumstemperatur.
Batteriet hakar inte i med ett hörbart klick.	Batteriets låsmekanism är smutsig.	► Rengör låsmekanismen och sätt i batteriet igen.
1 lampa blinkar. Produkten fungerar inte.	Batteriet är urladdat.	► Byt batteri och ladda det tomma batteriet.
	Batteriet är för varmt eller för kallt.	► Låt batteriet långsamt värmas upp/svalna till rumstemperatur.
Alla fyra lamporna blinkar. Produkten fungerar inte.	Verktyget är överlastat.	► Släpp strömbrytaren och tryck in den igen. Låt sedan verktyget gå på tomgång i ca 30 sekunder.
Verktyget eller batteriet blir väldigt varmt.	Elektriskt fel	► Stäng genast av verktyget, ta ur batteriet och syna det, låt det svalna och kontakta Hilti -service.
Verktyget har inte full effekt.	Batteri med för låg kapacitet har satts in.	► Använd ett batteri med högre kapacitet.
Minskande kapeffekt	Stansen utsliten	► Byt ut stansen. → Sidan 33
Motorns bromsfunktion fungerar inte.	Batteriet är urladdat.	► Byt batteri och ladda det tomma batteriet.
	Verktyget har överlastats under en kort period.	► Stäng av verktyget och slå sedan på det igen.

11 Avfallshantering

Hilti-produkter är till stor del tillverkade av återvinningsbara material. En förutsättning för återvinning är att materialen separeras på rätt sätt. I många länder kan du lämna in ditt uttjänta instrument så att **Hilti** tar hand om det. Hör efter med **Hilti**s kundtjänst eller din kontaktperson.

Avfallshantering av batterier

Bristfälligt avfallshantering av batterier kan orsaka hälsorisker på grund av läckande gaser eller vätskor.

- Skicka aldrig iväg skadade batterier!
- Täck anslutningarna med ett icke ledande material för att förhindra kortslutningar.
- Kassera batterier så att de inte kan hamna i händerna på barn.
- Kassera batteriet hos din **Hilti Store** eller vänd dig till närmaste återvinningscentral.



- Kasta inte elverktyg, elektronisk apparatur och batterier i hushållssoporna.

12 RoHS (föreskrifter för begränsning av användningen av farliga ämnen)

Använd den här länken för att komma till tabellen över farliga ämnen: qr.hilti.com/r10695220.

En länk till RoHS-tabellen hittar du i slutet på det här dokumentet i form av en QR-kod.

13 Tillverkargaranti

- Vänd dig till din lokala **Hilti**-representant om du har frågor om garantivillkoren.



Original bruksanvisning

1 Informasjon om dokumentasjonen

1.1 Om denne dokumentasjonen

- Les denne dokumentasjonen før du tar produktet i bruk. Dette er en forutsetning for sikkerhet under arbeidet og problemfri bruk.
- Følg sikkerhetshenvisningene og advarslene i denne dokumentasjonen og på produktet.
- Oppbevar alltid bruksanvisningen på produktet, og lever bruksanvisningen fra deg sammen med produktet hvis det overtas av andre personer.

1.2 Symbolforklaring

1.2.1 Farehenvisninger

Farehenvisninger advarer mot farer under håndtering av produktet. Følgende signalord brukes:

FARE

FARE !

- ▶ For en umiddelbart truende fare som kan føre til alvorlige personskader eller død.

ADVARSEL

ADVARSEL !

- ▶ Varsler en mulig fare som kan føre til alvorlige personskader eller død.





FORSIKTIG

FORSIKTIG !

- ▶ Varsler om en mulig farlig situasjon som kan føre til personskade eller materiell skade.


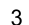


1.2.2 Symboler i dokumentasjonen

Følgende symboler brukes i denne dokumentasjonen:

	Les bruksanvisningen før bruk
	Anvisninger om bruk og annen nyttig informasjon
	Håndtering av resirkulerbare materialer
	Ikke kast elektriske apparater eller batterier i husholdningsavfallet

1.2.3 Symboler i illustrasjoner

Følgende symboler brukes i illustrasjonene:

	Disse tallene henviser til illustrasjonen foran i denne bruksanvisningen
	Nummereringen angir rekkefølgen for arbeidstrinnene på bildet og kan avvike fra arbeidstrinnene i teksten
	Posisjonsnumrene brukes i illustrasjonen Oversikt og henviser til numrene på teksten i avsnittet Produktoversikt
	Dette symbolet betyr at håndtering av produktet krever stor grad av oppmerksomhet.

1.3 Produktavhengige symboler

1.3.1 Symboler på produktet

Følgende symboler kan brukes på produktet:



	Maskinen støtter NFC-teknologi som er kompatibel med iOS- og Android-plattformer.
	Brukt HilTI Li-ion-batteriserie. Følg anvisningene i kapitlet Forskriftsmessig bruk .
	Bruk aldri batteriet som slagverktøy.
	Ikke mist ned batteriet. Ikke bruk et batteri som har vært utsatt for støt eller er skadet på annen måte.
Li-ion	Li-ion-batteri
	Likestrøm
	Bruk vernebriller

1.4 Produktinformasjon

HILTI-produkter er laget for profesjonell bruk og må kun brukes, vedlikeholdes og repareres av kyndig personale. Dette personalet må informeres om eventuelle farer som kan oppstå. Produktet og tilleggsutstyret kan utgjøre en fare hvis det betjenes av ukvalifisert personale eller det benyttes feil.

Typebetegnelse og serienummer står på typeskiltet.

- ▶ Skriv inn serienummeret i tabellen nedenfor. Du trenger produktspesifikasjonene ved henvendelser til Hiltis representant eller servicesenter.

Produktspesifikasjoner

Nibler	SPN 6-A22
Generasjon:	01
Serienummer:	

1.5 Samsvarserklæring

Vi erklærer herved at produktet som er beskrevet her, er i samsvar med gjeldende normer og direktiver. Du finner et bilde av samsvarserklæringen på slutten av denne dokumentasjonen.

Den tekniske dokumentasjonen er lagret her:

HilTI Entwicklungsgesellschaft mbH | Zulassung Geräte | Hiltistraße 6 | 86916 Kaufering, DE

2 Sikkerhet

2.1 Generelle sikkerhetsregler for elektroverktøy

⚠ ADVARSEL Les alle sikkerhetsanvisninger, instruksjer, illustrasjoner og tekniske data som elektroverktøyet er utstyrt med. Manglende overholdelse av anvisningene nedenfor kan medføre elektrisk støt, brann og/eller alvorlige personskader.

Overhold alle sikkerhetsanvisninger og instruksjoner i hele bruksperioden.

Begrepet "elektroverktøy" som er brukt i sikkerhetsanvisningene, viser til nettdrevne elektroverktøy (med nettkabel) eller til batteridrevne elektroverktøy (uten nettkabel).

Sikkerhet på arbeidsplassen

- ▶ **Hold arbeidsområdet rent og godt opplyst.** Rotete eller dårlig belyste arbeidsområder kan føre til ulykker.
- ▶ **Bruk ikke elektroverktøyet i eksplosjonsfarlige omgivelser hvor det befinner seg brennbare flytende stoffer, gasser eller støv.** Elektroverktøy lager gnister som kan antenne støv eller damp.
- ▶ **Hold barn og andre personer på sikker avstand mens elektroverktøyet brukes.** Hvis du blir forstyrret under arbeidet, kan du miste kontrollen over verktøyet.

Elektrisk sikkerhet

- ▶ **Elektroverktøyetets støpsel må passe i stikkontakten. Støpselet må ikke forandres på noen som helst måte. Bruk ikke adapterkontakt på jordete elektroverktøy.** Uendrede støpsler og egnede stikkontakter minsker risikoen for elektrisk støt.
- ▶ **Unngå kroppskontakt med jordete overflater som rør, radiatorer, komfyrer eller kjøleskap.** Risikoen for elektriske støt er høyere når kroppen er jordet.



- ▶ **Hold elektroverktøyet unna regn og fuktighet.** Risikoen for elektrisk støt øker ved inntrenging av vann i et elektroverktøy.
- ▶ **Bruk ikke ledningen til å bære elektroverktøyet, henge det opp eller til å dra støpselet ut av stikkkontakten.** Hold ledningen unna varme, olje, skarpe kanter og deler som beveger seg. Skadde eller sammenviklede ledninger øker risikoen for elektriske støt.
- ▶ **Bruk kun skjøteledninger som også er godkjent for utendørs bruk når du arbeider med et elektroverktøy utendørs.** Bruk av skjøteledning som er egnet til utendørs bruk, minsker risikoen for elektrisk støt.
- ▶ **Må elektroverktøyet brukes i fuktige omgivelser, er det nødvendig å bruke en jordfeilbryter.** Bruk av en jordfeilbryter reduserer risikoen for elektrisk støt.

Personsikkerhet

- ▶ **Vær oppmerksom, pass på hva du gjør, og gå fornuftig fram under arbeidet med et elektroverktøy. Ikke bruk elektroverktøy når du er trøtt eller påvirket narkotika, alkohol eller medikamenter.** Et øyeblikks uoppmerksomhet ved bruk av elektroverktøyet kan være nok til å forårsake alvorlige personskader.
- ▶ **Bruk alltid personlig verneutstyr og vernebriller.** Bruk av personlig verneutstyr som støvmaske, sklislire vernesko, hjelm eller hørselsvern – avhengig av type og bruk av elektroverktøyet – reduserer risikoen for skader.
- ▶ **Unngå utilsiktet start. Forsikre deg om at elektroverktøyet er slått av før du setter i stikkkontakten eller batteriet og før du løfter eller flytter elektroverktøyet.** Hvis du holder fingeren på bryteren når du bærer elektroverktøyet, eller kobler elektroverktøyet til strøm i innkoblet tilstand, kan dette føre til uhell.
- ▶ **Fjern justeringsverktøy og skrunøkkel før du slår på elektroverktøyet.** Et verktøy eller en nøkkel som befinner seg i en roterende maskindel, kan føre til skader.
- ▶ **Unngå u hensiktsmessige arbeidsposisjoner. Sørg for å stå stødig og i balanse.** Dermed kan du kontrollere elektroverktøyet bedre i uventede situasjoner.
- ▶ **Bruk egnede klær. Ikke bruk vide klær eller smykker. Hold hår, tøy og hansker unna deler som beveger seg.** Løstsittende tøy, smykker eller langt hår kan komme inn i deler som beveger seg.
- ▶ **Hvis det er montert støvavsugs- og oppsamlingsinnretninger, må det kontrolleres at disse er koblet til og blir brukt på riktig måte.** Bruk av støvavsug kan redusere faremomentene i forbindelse med støv.
- ▶ **Ikke føl deg for trygg og ikke bryt sikkerhetsreglene for elektroverktøy, heller ikke når du etter lang tids bruk er blitt fortrolig med elektroverktøyet.** Et øyeblikks uaktsomhet kan føre til alvorlige personskader.

Bruk og behandling av elektroverktøyet

- ▶ **Ikke overbelast verktøyet. Bruk et elektroverktøy som er beregnet til den type arbeid du vil utføre.** Med et passende elektroverktøy arbeider du bedre og sikrere i det angitte effektområdet.
- ▶ **Ikke bruk elektroverktøy med defekt bryter.** Et elektroverktøy som ikke lenger kan slås av eller på, er farlig og må repareres.
- ▶ **Dra ut støpselet fra stikkkontakten og/eller ta ut et uttakbart batteri før du foretar maskininnstillinger, bytter tilleggsutstyr eller legger bort verktøyet.** Disse tiltakene forhindrer utilsiktet start av elektroverktøyet.
- ▶ **Oppbevar elektroverktøy som ikke brukes, utenfor barns rekkevidde. La ikke personer som ikke er fortrolige med verktøyet eller ikke har lest disse instruksjonene, bruke verktøyet.** Elektroverktøy er farlige når de brukes av uerfarne personer.
- ▶ **Sørg for grundig stell og vedlikehold av elektroverktøyet med tilbehør. Kontroller at bevegelige deler på elektroverktøyet fungerer feilfritt og ikke klemmes fast, og at ingen deler er brukt eller skadet, slik at dette innvirker på elektroverktøyet funksjon. La skadde deler repareres før elektroverktøyet brukes.** Mange ulykker er et resultat av dårlig vedlikeholdte elektroverktøy.
- ▶ **Hold skjæreverktøy skarpe og rene.** Godt vedlikeholdte skjæreverktøy med skarpe skjærekanten blir sjeldnere fastklemt og er lettere å styre.
- ▶ **Bruk elektroverktøy, tilbehør, arbeidsverktøy osv. i overensstemmelse med denne anvisningen. Ta hensyn til arbeidsforholdene og arbeidet som skal utføres.** Bruk av elektroverktøy til andre formål enn det som er angitt, kan føre til farlige situasjoner.
- ▶ **Hold håndtak og gripeflater tørre, rene og frie for olje og fett.** Glatte håndtak og gripeflater gir ikke sikker betjening og kontroll av elektroverktøyet i uforutsette situasjoner.

Bruk og behandling av det batteridrevne elektroverktøyet

- ▶ **Bruk kun ladere som er anbefalt av produsenten når du skal lade batteriene.** Det oppstår brannfare når det brukes andre batterier i en lader enn dem laderen er egnet for.
- ▶ **Bruk bare batterier som er beregnet for de forskjellige elektroverktøyene.** Bruk av andre batterier kan medføre skader og brannfare.



- ▶ **Unngå å oppbevare ubrukte batterier i nærheten av binders, mynter, nøkler, nagler, skruer eller andre små metallgjenstander som kan forårsake kortslutning av kontakten.** En kortslutning mellom batterikontaktene kan føre til forbrenninger eller brann.
- ▶ **Ved feil bruk kan væske lekke fra batteriet. Unngå kontakt med denne væsken. Ved tilfeldig kontakt må det skylles med vann. Hvis det kommer væske i øynene, må du i tillegg oppsøke lege.** Batterivæske som renner ut, kan føre til irritasjoner på huden eller forbrenninger.
- ▶ **Ikke bruk batterier som er skadde eller modifiserte.** Skadde eller modifiserte batterier kan oppføre seg uforutsigbart og forårsake brann, eksplosjon eller personskade.
- ▶ **Ikke utsett batteriet for åpen ild eller høye temperaturer.** Ild eller temperaturer over 130 °C (265 °F) kan forårsake eksplosjon.
- ▶ **Følg alle anvisningene for lading, og lad aldri batteriet eller det batteridrevne verktøyet utenfor temperaturområdet som er angitt i bruksanvisningen.** Feil lading eller lading utenfor det tillatte temperaturområdet kan ødelegge batteriet og øke brannfaren.

Service

- ▶ **Elektroverktøyet må kun repareres av kvalifisert fagpersonale og kun med originale reservedeler.** Slik opprettholdes maskinens sikkerhet.
- ▶ **Vedlikehold ikke skadde batterier.** Alt vedlikehold på batterier skal utføres av produsenten eller et godkjent serviceverksted.

2.2 Aktsom håndtering og bruk av batterier

- ▶ Ta hensyn til spesielle retningslinjer for transport, lagring og bruk av Li-Ion-batterier.
- ▶ Hold batteriene unna høye temperaturer, direkte solskinn og åpen ild.
- ▶ Batteriene må ikke tas fra hverandre, klemmes, varmes opp over 80 °C eller brennes.
- ▶ Ikke bruk eller lad opp batterier som har fått et støt, har falt ned over en meter eller er skadet på annen måte. Kontakt i slike tilfeller alltid **Hilti service**.
- ▶ Hvis batteriet er for varmt til å ta i, kan det være defekt. Plasser batteriet på et synlig, ikke brennbart sted med tilstrekkelig avstand til brennbare materialer. La batteriet avkjøles. Hvis batteriet fremdeles er for varmt til å ta i etter en time, er det defekt. Kontakt **Hilti service**.

2.3 Ekstra sikkerhetsanvisninger

Personsikkerhet

- ▶ Bruk vernehansker når du arbeider med produktet. Arbeidsverktøyet blir varmt under bruk. Fare for forbrenning! Metallspenene og kuttekanter som oppstår, har skarpe kanter. Fare for personskade!
- ▶ Ta pauser fra arbeidet, og foreta avspennings- og fingerøvelser for å øke blodgjennomstrømmingen i fingrene.
- ▶ Bruk hørselsvern. Påvirkning av støy kan føre til hørselstap.
- ▶ Arbeid ikke med produktet over hodehøyde.

Elektrisk sikkerhet

- ▶ La tilsmussede maskiner som ofte brukes til bearbeiding av ledende materialer, kontrolleres regelmessig av Hilti service. Støv, især av ledende materialer, eller fuktighet på maskinens overflate gjør at det er vanskelig å holde den, og under ugunstige forhold kan det føre til elektrisk støt.
- ▶ Rengjør ventilasjonsåpningene på elektroverktøyet regelmessig. Motorviften trekker støv inn i huset, og en stor opphopning av metallstøv kan forårsake elektrisk fare.
- ▶ Kontroller arbeidsområdet for skjulte elektriske ledninger, gass- og vannrør før du starter arbeidet, f.eks. ved hjelp av en metalldetektor. Eksterne metalldele på maskinen kan bli strømførende f. eks. ved at en strømførende kabel utilsiktet blir skadet.
- ▶ Ikke skjær i arbeidsemner som kan være strømførende.

Sikkerhet på arbeidsplassen

- ▶ Hold arbeidsområdet rent. Metallspen er skarpe og kan forårsake riper i gulvet.

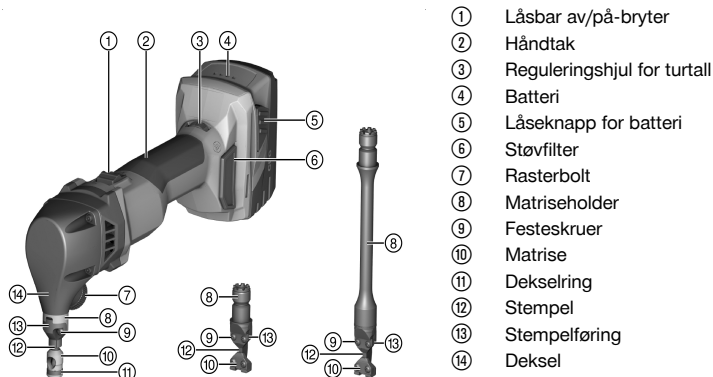
Forsiktig behandling og bruk av elektroverktøy

- ▶ Kontroller at produktet er fritt for spon og smuss. Under arbeidet må du passe på at det ikke kommer spon inn i området rundt av/på-bryteren. Spenene kan blokkere av/på-bryteren slik at produktet ikke lenger kan slå av.



3 Beskrivelse

3.1 Produktoversikt



- ① Låsbar av/på-bryter
- ② Håndtak
- ③ Reguleringshjul for turtall
- ④ Batteri
- ⑤ Låseknapp for batteri
- ⑥ Støvfiler
- ⑦ Rasterbolt
- ⑧ Matriseholder
- ⑨ Festeskruer
- ⑩ Matrise
- ⑪ Dekselring
- ⑫ Stempel
- ⑬ Stempelføring
- ⑭ Deksel

3.2 Forskriftsmessig bruk

Det beskrevne produktet er en håndholdt, batteridrevet nibbler. Den er beregnet for kapping av plateformede arbeidsemner av stansbart materiale som stål, aluminium, jernfritt metall og plast for nibbling av rette eller kurveformede ytterkanter og innvendige utsnitt pluss nibbling etter strek. Bearbeiding med nibbling gir vridningsfrie kuttetekanter. Avhengig av hvilket verktøy som brukes, finnes det flere bruksområder.

SPN-CN: Dette verktøyet er også beregnet for kapping av rør, bearbeiding av bølgeblikk og nibbling etter sjablong. På grunn av det hule og runde stemplet kan nibbleren dreies på stedet under arbeidet slik at bearbeiding kan fortsettes i ønsket retning.

Ekstraustyr: SPN-RN og SPN-RL: Disse arbeidsverktøyene er også beregnet for kapping av profilplater som trapesblikk, bølgeblikk, kassettblikk og vinklede profillister.

- ▶ Til dette produktet må det bare brukes **Hilti** Li-Ion-batterier i serien B 22.
- ▶ Bruk bare **Hilti**-laderne i C4/36-serien til disse batteriene.

3.3 Dette følger med:

nibbler, Torx-nøkkel, bruksanvisning

Av hensyn til sikkerheten må du bare bruke originale reservedeler og forbruksmaterialer. Reservedeler, forbruksmaterialer og tilbehør til produktet, som er godkjent av oss, finner du hos **Hilti Store** eller under: www.hilti.group



Produktet ble funksjonstestet før levering. Under denne testingen kan det ha oppstått små riper på husoverflaten.

3.4 Temperaturavhengig beskyttelse av maskinen

Den temperaturavhengige motorbeskyttelsen overvåker strømforbruket samt motoroppvarmingen og forhindrer at maskinen blir overopphetet.

Skulle motoren bli overbelastet på grunn av for høyt presstrykk, synker maskinens ytelse merkbart og maskinen kan stanse.

Hvis det oppstår stillstand eller turtallsreduksjon på grunn av overbelastning, må du redusere trykket på maskinen og la den gå ca. 30 sekunder på tomgang.

3.5 Ladenivåindikator for Li-Ion-batteriet

Ladenivået for Li-Ion-batteriet vises når du trykker på en låseknappene for batteriet.

Tilstand	Betydning
4 LED-er lyser.	Ladenivå: 75 % til 100 %
3 LED-er lyser.	Ladenivå: 50 % til 75 %



Tilstand	Betydning
2 LED-er lyser.	Ladenivå: 25 % til 50 %
1 LED lyser.	Ladenivå: 10 % til 25 %
1 LED blinker.	Ladenivå: < 10 %

i Mens arbeidet pågår, og umiddelbart etterpå, er det ikke mulig å vise ladenivået. Ved blinkende LED-er på batteriets ladenivåindikator må du følge henvisningene i kapitlet Feilsøking.

4 Tekniske data

Nibleren leveres som standard sammen med arbeidsverktøyet SPN-CN. SPN-RN og SPN-RL er tilgjengelig som ekstra tilbehør.

	SPN-CN	SPN-RN	SPN-RL
Merkespennning	21,6 V	21,6 V	21,6 V
Vekt i henhold til EPTA Procedure 01 med batteri B228.0	3,1 kg	3,0 kg	3,3 kg
Slagfall ved tomgang	620 o/min ... 1 370 o/min	620 o/min ... 1 370 o/min	620 o/min ... 1 370 o/min
Starthulldiameter	17 mm	24 mm	24 mm
Minste radius for kurveformede utsnitt	4,0 mm	•/•	•/•
Radius	•/•	50 mm	50 mm
Skjæresporbredde	8,0 mm	5,0 mm	5,0 mm
Tillatt materialtykkelse stål til 400 N/mm²	2,0 mm / 14 Ga	2,0 mm / 14 Ga	2,0 mm / 14 Ga
Tillatt materialtykkelse stål til 600 N/mm²	1,5 mm / 16 Ga	1,5 mm / 16 Ga	1,5 mm / 16 Ga
Tillatt materialtykkelse stål til 800 N/mm²	1,0 mm / 20 Ga	1,0 mm / 20 Ga	1,0 mm / 20 Ga
Tillatt materialtykkelse aluminium til 250 N/mm²	2,5 mm / 10 Ga	3,0 mm / 9 Ga	3,0 mm / 9 Ga

4.1 Batteri

Batteriets driftsspennning	21,6 V
Omgivelsestemperatur under drift	-17 °C ... 60 °C
Lagringstemperatur	-20 °C ... 40 °C
Batteritemperatur ved ladestart	-10 °C ... 45 °C

4.2 Støyinformasjon og vibrasjonsverdier iht. EN 62841

Lydtrykk- og vibrasjonsverdiene som er angitt i denne bruksanvisningen, er målt i samsvar med en normert målemetode og kan brukes til sammenligning av elektroverktøy. De egner seg også til en foreløpig vurdering av eksponeringene.

De angitte dataene representerer de viktigste bruksområdene for elektroverktøyet. Men hvis elektroverktøyet brukes til andre formål, med avvikende innsatsverktøy eller med utilstrekkelig vedlikehold, kan dataene avvike. Dette kan øke eksponeringene betraktelig gjennom hele arbeidsperioden.

For å få en nøyaktig vurdering av eksponeringene må man også ta hensyn til tidsrommene da maskinen er slått av eller er i gang, men ikke i drift. Dette kan redusere eksponeringene betraktelig gjennom hele arbeidsperioden.

Fastsett ekstra sikkerhetstiltak for å beskytte operatøren mot effekten av støy og/eller vibrasjoner, for eksempel: Vedlikehold av elektroverktøy og innsatsverktøy, holde hendene varme, organisering av arbeidsprosesser.

Støyinformasjon

Typisk A-veid avgitt lydtrykk (L_{pA})	91 dB(A)
Usikkerhet lydtryknivå (K_{pA})	3 dB(A)
Typisk A-veid lydeffektnivå (L_{WA})	102 dB(A)
Usikkerhet lydeffektnivå (K_{WA})	3 dB(A)



Vibrasjonsinformasjon

	SPN-CN	SPN-RN	SPN-RL
Triaksial vibrasjonsverdi (a_h)	6,7 m/s ²	7,4 m/s ²	6,2 m/s ²
Usikkerhet (K)	1,5 m/s ²	1,5 m/s ²	1,5 m/s ²

5 Klargjøring til arbeidet**⚠ FORSIKTIG****Fare for personskader på grunn av utilsiktet start!**

- ▶ Før batteriet settes i, må det kontrolleres at det tilhørende produktet er slått av.
- ▶ Fjern batteriet før du foretar maskininnstillinger eller skifter tilbehørsdeler.

Følg sikkerhetshenvisningene og advarslene i denne dokumentasjonen og på produktet.

5.1 Lade batteriet

1. Les bruksanvisningen for laderen før lading.
2. Kontaktene på batteriet og laderen må være rene og tørre.
3. Lad opp batteriet i en godkjent lader.

5.2 Sette i batteri**⚠ FORSIKTIG****Fare for personskader på grunn av kortslutning eller ved at batteriet faller ned!**

- ▶ Forsikre deg om at det ikke er fremmedlegemer ved kontaktene på batteriet og kontaktene på produktet før du setter batteriet inn i maskinen.
- ▶ Kontroller at batteriet alltid går riktig i inngrep.

1. Lad batteriet helt opp før første gangs bruk.
2. Sett batteriet inn i holderen på maskinen til det klikker hørbart på plass.
3. Kontroller at batteriet sitter godt fast.

5.3 Ta ut batteriet

1. Trykk på låseknappene til batteriet.
2. Trekk batteriet ut av maskinen.

5.4 Verktøy 2

Riktig kombinasjon av arbeidsverktøy og underlag vises på illustrasjonen.

Forklaring på underlagene:

- A: Flatt blikk
- B: Bølgeblikk
- C: Trapezblikk (profildybder til maks. 85 mm)
- D: Trapezblikk (profildybder inntil maks. 162 mm)

For å oppnå grafri skjæring med verktøyene SPN-RN og SPN-RL i blikk inntil 1 mm tykkelse, kan man bruke matrisen P1. Den lavere snittklaringen reduserer graddannelsen.

5.5 Demontere verktøyet 3

1. Løsne rasterbolten med seks omdreininger mot urviseren.
2. Trekk verktøyet ut av huset.

5.6 Montere verktøyet 2

1. Smør stempelføringen.
2. Fest stampelet i sporet på støteren.
3. Juster skjæreretningen forover.
4. Sett verktøyet inn i huset med skjæreretning fremover.



5. Plasser deretter verktøyet i ønsket skjæreretning.
6. Skru fast rasterbolten med urviseren og stram den for hånd.
 - ▶ Det må ikke være noe mellomrom mellom huset og matriseholderen.

5.7 Stille inn skjæreretning

Ved behov kan skjæreretningen dreies 45° til høyre eller til venstre.

På denne måten blir det enklere å bearbeide profilplater, og du kan stille inn nibleren for høyre- eller venstre-håndsbetjening.

1. Løsne rasterbolten ca. tre omdreininger mot urviseren til ingen inngrepsposisjoner er synlige lenger.
2. Trekk verktøyet litt ut av huset og vri det i ønsket retning.
 - ▶ Det finnes åtte mulige inngrepsposisjoner.
3. Skyv verktøyet tilbake i huset i ønsket inngrepsposisjon.
4. Skru fast rasterbolten med urviseren og stram den for hånd.
 - ▶ Det må ikke være noe mellomrom mellom huset og matriseholderen.

5.8 Stille inn slagtalet

- ▶ Still inn slagtalet ved hjelp av innstillingshjulet for turtall.

6 Betjening

Følg sikkerhetsanvisningene og advarslene i denne dokumentasjonen og på produktet.

6.1 Slå på

1. Trykk på bakre del av på/av-bryteren.
2. Skyv av/på-bryteren forover.
 - ▶ Motoren går.
3. Lås av/på-bryteren.

6.2 Skjære

ADVARSEL

Forsiktig Overbelastning av nibleren på grunn av uskarpe verktøy!

- ▶ Kontroller med jevne mellomrom eggen på stampelet for slitasje. Skift stampelet ut i riktig tid, for å skåne nibleren.

1. Smør skjæresporet med olje for å øke brukstiden for stampelet og for å oppnå maksimalt kutteresultat.
2. Slå på produktet. → Side 43
3. Når fullt turtall er nådd, fører du nibleren mot arbeidsemnet.
 - ▶ For innvendige utsnitt lager du først et starthull som passer til verktøyet som brukes.
4. Bearbeid ønsket skjærelinje.
5. Slå av produktet når du er ferdig med snittet. Hvis skjæresporet ender i arbeidsemnet, trekker du produktet noen millimeter bakover i skjæresporet før du slår det av.



Ikke legg nibleren i sponene før den har stanset helt. Sponene kan suges inn i motoren.

6.3 Skjæring med sjablong

Ekstrautstyr: SPN-CN

Skjæring med sjablong stiller følgende krav:

- Tykkelsen på sjablongen må være 5 - 7 mm.
- Konturene på sjablongen må ha en avstand på 2,5 mm til snittkonturene.
- Overhold minsteradiusen på 4 mm. Minsteradiusen for sjablongen blir da 6,5 mm.
- Nibleren må føres slik at ytterkanten av stempelføringen alltid ligger an mot sjablongen.



6.4 Slå av

- ▶ Trykk på bakre del av på/av-bryteren.
 - ▶ Av/på-bryteren går til av-posisjonen og motoren stopper.

7 Ekstra tilbehør

7.1 Montere sponsekk

Ekstrauststyr: SPN-CN

For at sponene ikke skal spres ukontrollert, kan det monteres en sponsekk for oppsamling av sponene.

1. Trykk sammen begge endene av fjæren i sponsekken.
2. Legg fjæren rundt den nedre enden av matrisen, og slipp endene på fjæren.
3. Kontroller at fjæren og sponsekken er i riktig posisjon og sitter godt fast.

8 Service og vedlikehold

ADVARSEL

Fare for personskader på grunn av isatt batteri !

- ▶ Ta alltid ut batteriet før stell og vedlikeholdsarbeid!

Stell av maskinen

- Fjern gjenstridig smuss forsiktig.
- Fjern støvfilteret, og rengjør det og ventilasjonsåpningene forsiktig med en tørr børste.
- Rengjør huset bare med en lett fuktet klut. Ikke bruk silikonholdige pleiemiddel, da dette kan angripe plastdelene.

Stell av Li-Ion-batterier

- Hold batteriet rent og fritt for olje og fett.
- Rengjør huset bare med en lett fuktet klut. Ikke bruk silikonholdige pleiemiddel, da dette kan angripe plastdelene.
- Unngå inntrenging av fuktighet.

Vedlikehold

- Kontroller alle synlige deler regelmessig mht. skade og alle betjeningselementene mht. feilfri funksjon.
- Ved skader og/eller funksjonsfeil må produktet ikke brukes. Få maskinen reparert av **Hilti service** snarest mulig.
- Etter stell- og vedlikeholdsarbeid må alle beskyttelsesinnretninger monteres, og det må foretas funksjonskontroll av dem.



Av hensyn til sikkerheten må du bare bruke originale reservedeler og forbruksmaterialer. Reservedeler, forbruksmaterialer og tilbehør til produktet, som er godkjent av oss, finner du hos **Hilti Store** eller under: **www.hilti.group**.

8.1 Skifte stempel



Ved hver utskifting av stempelet må du også kontrollere slitassen på matrisen, stempelføringen og sliteplaten (gjelder ikke SPN-CN), og skifte dem ut samtidig ved behov.

1. Demonter verktøyet. → Side 42
2. Ta det slitte stempelet ut av verktøyet.
3. Smør det nye stempelet og stempelføringen i verktøyet inn med fett.



4. Når utstyret nedenfor finnes, utfør du i tillegg denne handlingen:

Ekstraustyrt: SPN-RL

- ▶ Monter forlengeren mellom støteren og stampelet, og smør den inn med fett.
5. Monter verktøyet. → Side 42

8.2 Skifte matrise

Ekstraustyrt: SPN-CN

1. Skyv dekselringen ut av sporet oppover.
2. Trykk ut sylindertiften med en egnet dor.
3. Trekk matrisen av løftestiften.
4. Sett den nye matrisen på stiften.
5. Monter sylindertiften igjen.
6. Skyv dekselringen inn i sporet nedover, og kontroller at den sitter riktig.

8.3 Skifte stempelføring

Ekstraustyrt: SPN-CN

FORSIKTIG

Fare for materiell skade på produkt og skjæreverktøy!

- ▶ Rengjør gjengene på festeskruene før monteringen.
- ▶ Bruk alltid de nye festeskruene som følger med, og overhold det angitte tiltrekingsmomentet.

1. Demonter matrisen. → Side 45
2. Demonter festeskruene.
3. Ta av stempelføringen.
4. Sett på den nye stempelføringen.
5. Monter festeskruene med angitt dreiemoment.

Tekniske data	
Tiltrekingsmoment	3 Nm

6. Monter matrisen på nytt.

8.4 Skifte matrise, stempelføring og sliteplate

Ekstraustyrt: SPN-RN
ELLER SPN-RL

FORSIKTIG

Fare for materiell skade på produkt og skjæreverktøy!

- ▶ Rengjør gjengene på festeskruene før monteringen.
- ▶ Bruk alltid de nye festeskruene som følger med, og overhold det angitte tiltrekingsmomentet.

1. Demonter festeskruene.
2. Ta av stempelføringen og matrisen.
3. Kontroller sliteplaten mht. slitespor.

Resultat

Hvis du oppdager tydelige slitespor:

- ▶ Ta av sliteplaten, og skift den ut med en ny.
4. Rengjør kontaktflatene på matriselageret.
 5. Sentrer stempelføringen og matrisen ved hjelp av tappene.
 6. Monter festeskruene for hånd.
 7. Smør føringsflatene på stempelføringen med fett.



8. Trekk til festeskruene kryssvis med angitt dreiemoment.

Tekniske data	
Tiltrekingsmoment	3 Nm

9 Transport og lagring av batterier

Transport

FORSIKTIG

Utilsiktet start under transport !

- ▶ Transporter alltid produktene dine uten batterier!
- ▶ Ta ut batteriene.
- ▶ Ikke transporter batterier upakket.
- ▶ Etter en lengre transport må maskin og batterier kontrolleres med hensyn til skade før bruk.

Lagring

FORSIKTIG

Utilsiktet skade på grunn av defekte batterier eller lekkasje fra batterier !

- ▶ Oppbevar alltid produktene dine uten batterier!
- ▶ Oppbevar maskin og batterier mest mulig kaldt og tørt.
- ▶ Batteriene må aldri lagres i solen, på en radiator eller bak glassruter.
- ▶ Oppbevar maskin og batterier utenfor barns og uvedkommendes rekkevidde.
- ▶ Etter lengre tids oppbevaring må maskin og batterier kontrolleres med hensyn til skade før bruk.

10 Feilsøking

Ved feil som ikke står i denne tabellen eller som du selv ikke kan rette opp, må du kontakte **Hilti Service**.

10.1 Feilsøking

Feil	Mulig årsak	Løsning
Batteriet lades ut raskere enn vanlig.	Svært lave omgivelses-temperaturer.	▶ La batteriet varmes langsomt opp til romtemperatur.
Batteriet festes ikke med et hørbart klikk.	Festetappene på batteriet er skitne.	▶ Rengjør festetappene og sett batteriet inn igjen.
1 LED blinker.	Batteriet er utladet.	▶ Skift batteri og lad tomt batteri.
Maskinen fungerer ikke.	Batteriet er for kaldt eller for varmt.	▶ La batteriet varmes langsomt opp til romtemperatur eller avkjøles.
Alle 4 LED-er blinker. Maskinen fungerer ikke.	Maskinen er overbelastet.	▶ Slipp kontrollbryteren og trykk den inn på nytt. La deretter maskinen gå i ca. 30 sekunder på tomgang.
Kraftig varmeutvikling i maskinen eller batteriet.	Elektrisk defekt	▶ Slå maskinen av umiddelbart, ta ut batteriet, undersøk det, la det avkjøles og kontakt Hilti service .
Maskinen yter ikke maksimalt.	Batteri med for liten kapasitet er satt inn.	▶ Bruk et batteri med tilstrekkelig kapasitet.
Redusert kutteytelse	Slitt stempel	▶ Skift ut stampelet. → Side 44
Ingen bremsefunksjon for motoren.	Batteriet er utladet.	▶ Skift batteri og lad tomt batteri.
	Maskinen er kortvarig overopphetet.	▶ Slå maskinen av og på igjen.



11 Avhending

Hilti-apparater er i stor grad laget av resirkulerbart materiale. En forskriftsmessig materialsortering er en forutsetning for resirkulering. I mange land tar **Hilti** ditt gamle apparat i retur. Spør **Hilti** kundeservice eller forhandleren din.

Avhending av batterier

Ved ukynndig avhending av batterier kan gasser eller væsker som lekker ut, representere helsefare.

- ▶ Ikke send skadde batterier i posten eller på annen måte!
- ▶ Dekk til kontaktene med et ikke-ledende materiale for å unngå kortslutning.
- ▶ Kasser batterier slik at de er utilgjengelige for barn.
- ▶ Lever inn batteriet i nærmeste **Hilti Store**, eller kontakt et lokalt renovasjonsfirma.



- ▶ Kast aldri elektroverktøy, elektronisk utstyr eller batterier i husholdningsavfallet!

12 RoHS (direktiv for begrensning av bruk av farlige stoffer)

Under følgende lenke finner du tabellen over farlige stoffer: qr.hilti.com/r10695220.

Du finner en lenke til RoHS-tabellen helt til slutt i denne dokumentasjonen som QR-kode.

13 Produsentgaranti

- ▶ Når det gjelder spørsmål om garantibetingelser, ber vi deg kontakte din lokale **Hilti**-partner.

Alkuperäiset ohjeet

1 Dokumentaation tiedot

1.1 Tästä dokumentaatiosta

- Lue ehdottomasti tämä dokumentaatio ennen tuotteen käyttöönottoa. Se on turvallisen työnteon ja tuotteen ongelmattoman käsittelyn perusedellytys.
- Noudata tässä dokumentaatiossa ja tuotteessa olevia turvallisuus- ja varoitushuomautuksia.
- Säilytä käyttöohje aina tuotteen yhteydessä ja varmista, että käyttöohje on mukana, kun luovutat tuotteen toiselle henkilölle.

1.2 Merkkien selitykset

1.2.1 Varoitushuomautukset

Varoitushuomautukset varoittavat tuotteen käyttöön liittyvistä vaaroista. Seuraavia varoitustekstejä käytetään:



VAKAVA VAARA

VAKAVA VAARA !

- ▶ Varoittaa uhkaavasta vaaratilanteesta, josta voi seurauksena olla vakava loukkaantuminen tai jopa kuolema.



VAARA

VAARA !

- ▶ Varoittaa mahdollisesta vaarasta, josta voi seurauksena olla vakava loukkaantuminen tai kuolema.



VAROITUS

HUOMIO !

- ▶ Varoittaa mahdollisesta vaaratilanteesta, josta voi seurata loukkaantuminen tai aineellinen vahinko.

1.2.2 Symbolit dokumentaatiossa

Tässä dokumentaatiossa käytetään seuraavia symboleita:



2253588

Suomi

47

	Lue käyttöohje ennen käyttämistä
	Toimintaohjeita ja muuta hyödyllistä tietoa
	Kierrätyskelpoisten materiaalien käsittely
	Älä hävitä sähkölaitteita ja akkuja tavallisen sekajätteen mukana

1.2.3 Symbolit kuvissa

Kuvissa käytetään seuraavia symboleita:

	Nämä numerot viittaavat vastaavaan kuvaan tämän käyttöohjeen alussa
	Numerointi kertoo työvaiheiden järjestyksen kuvissa ja saattaa poiketa numeroinnista tekstissä
	Kohtanumeroita käytetään kuvassa Yleiskuva , ja ne viittaavat kuvatekstien numerointiin kappaleessa Tuoteyhteenveto
	Tämän merkin tarkoitus on kiinnittää erityinen huomiosi tuotteen käyttöön ja käsittelyyn.

1.3 Tuotekohtaiset symbolit

1.3.1 Symbolit tuotteessa

Tuotteessa voidaan käyttää seuraavia symboleita:

	Tämä kone tukee iOS- ja Android-alustojen kanssa yhteensopivaa NFC-tekniologiaa.
	Käytettävien Hilti -litiumioniakkujen tyyppisarja. Ota kappaleessa Tarkoituksenmukainen käyttö annetut tiedot huomioon.
	Älä koskaan käytä akkua lyöntityökaluna.
	Älä päästä akkua putoamaan. Älä käytä akkua, johon on kohdistunut isku tai joka on muutoin vaurioitunut.
Li-Ion	Litiumioniakku
	Tasavirta
	Käytä suojalaseja

1.4 Tuotetiedot

HILTI -tuotteet on tarkoitettu ammattikäyttöön, ja niitä saa käyttää, huoltaa tai korjata vain valtuutettu, koulutettu henkilö. Käyttäjän pitää olla hyvin perillä käyttöön liittyvistä vaaroista. Tuote ja sen varusteet saattavat aiheuttaa vaaratilanteita, jos kokemattomat henkilöt käyttävät tuotetta ohjeiden vastaisesti tai muutoin asiattomasti.

Tyyppimerkinnän ja sarjanumeron löydät tyyppikilvestä.

- Kirjoita sarjanumero ohiseen taulukkoon. Tuotteen tiedot tarvitaan, jos esität kysymyksiä myynti- tai huoltoedustajallemme.

Tuotetiedot

Nakertaja	SPN 6-A22
Sukupuolvi:	01
Sarjanumero:	



1.5 Vaatimustenmukaisuusvakuutus

Vakuutamme, että tässä kuvattu tuote täyttää voimassa olevien direktiivien ja standardien vaatimukset. Kuva vaatimustenmukaisuusvakuutuksesta on tämän dokumentaation lopussa.

Tekninen dokumentaatio löytyy tästä:

Hilti Entwicklungsgesellschaft mbH | Zulassung Geräte | Hiltistraße 6 | 86916 Kaufering, DE

2 Turvallisuus

2.1 Sähkötyökaluja koskevat yleiset turvallisuusohjeet

⚠ VAKAVA VAARA Lue kaikki turvallisuus- ja käyttöohjeet, selostukset ja tekniset tiedot, jotka liittyvät tähän sähkötyökaluun. Seuraavien ohjeiden noudattamatta jättäminen saattaa johtaa sähköiskuun, tulipaloon ja/tai vakavaan loukkaantumiseen.

Sääilytä kaikki turvallisuus- ja käyttöohjeet huolellisesti vastaisen varalle.

Turvallisuusohjeissa käytetty käsite ”sähkötyökalu” tarkoittaa verkkokäyttöisiä sähkötyökaluja (joissa verkkojohto) ja akkukäyttöisiä sähkötyökaluja (joissa ei verkkojohtoa).

Työpaikan turvallisuus

- ▶ **Pidä työskentelyalue siistinä ja hyvin valaistuna.** Työpaikan epäjärjestys ja valaisemattomat työalueet voivat johtaa tapaturmiin.
- ▶ **Älä käytä sähkötyökalua räjähdysalttiissa ympäristössä, jossa on syttyvää nestettä, kaasua tai pölyä.** Sähkötyökalut synnyttävät kipinöitä, jotka saattavat sytyttää pölyn tai höyryt.
- ▶ **Pidä lapset ja sivulliset loitolla sähkötyökalua käyttäessäsi.** Voit menettää koneen hallinnan huomiosi suuntautuessa muualle.

Sähköturvallisuus

- ▶ **Sähkötyökalun pistokkeen pitää sopia pistorasiaan. Pistoketta ei saa muuttaa millään tavalla. Älä käytä pistorasia-adaptoreita suojamaadotettujen sähkötyökalujen yhteydessä.** Alkuperäisessä kunnossa olevat pistokkeet ja sopivat pistorasiat vähentävät sähköiskun vaaraa.
- ▶ **Vältä koskettamasta sähköä johtaviin pintoihin kuten putkiin, pattereihin, liesiin ja jääkaappeihin.** Sähköiskun vaara kasvaa, jos kehosi maadottuu.
- ▶ **Älä aseta sähkötyökalua alttiiksi sateelle tai kosteudelle.** Veden tunkeutuminen sähkötyökalun sisään lisää sähköiskun vaaraa.
- ▶ **Älä kannata tai ripusta sähkötyökalua verkkojohdostaan äläkä vedä pistoketta irti pistorasiasta johdosta vetämällä. Pidä johto loitolla kuumuudesta, öljystä, terävistä reunoista ja liikkuvista osista.** Vahingoittuneet tai toisiinsa kietoutuneet johdot lisäävät sähköiskun vaaraa.
- ▶ **Kun käytät sähkötyökalua ulkona, käytä ainoastaan ulkokäyttöön soveltuvia jatkojohtoja.** Ulkokäyttöön soveltuvan jatkojohdon käyttö pienentää sähköiskun vaaraa.
- ▶ **Jos sähkötyökalua on välttämätöntä käyttää kosteassa ympäristössä, käytä vikavirtasuojakytintä.** Vikavirtasuojakytimen käyttö pienentää sähköiskun vaaraa.

Henkilöturvallisuus

- ▶ **Ole valpas, kiinnitä huomiota työskentelyysi ja noudata tervettä järkeä sähkötyökalua käyttäessäsi. Älä käytä sähkötyökalua, jos olet väsynyt tai huumeiden, alkoholin tai lääkkeiden vaikutuksen alaisena.** Sähkötyökalua käytettäessä hetkellinenkin varomattomuus saattaa aiheuttaa vakavia vammoja.
- ▶ **Käytä henkilökohtaisia suojarusteita ja aina suojalaseja.** Henkilökohtaiset suojarusteet, kuten hengityssuojain, luistamattomat turvajalkineet, kypärä ja kuulosuojaimet, pienentävät oikein käytettyinä loukkaantumisriskiä sähkötyökalun käyttötilanteesta riippuen.
- ▶ **Varo tahatonta käynnistämistä. Varmista, että sähkötyökalu on kytketty pois päältä, ennen kuin liität sen verkkovirtaan ja/tai liität siihen akun, otat sen käteesi tai kannat sitä.** Jos kannat sähkötyökalua sormi käyttökytkimellä tai liität pistokkeen pistorasiaan käyttökytkimen ollessa käyntiasennossa, altistat itsesi onnettomuuksille.
- ▶ **Poista kaikki säätötyökalut ja ruuvitaltat, ennen kuin käynnistät sähkötyökalun.** Työkalu tai avain, joka sijaitsee koneen pyöryvässä osassa, saattaa johtaa loukkaantumiseen.
- ▶ **Vältä vaikeita työskentelyasentoja. Varmista aina tukeva seisoma-asento ja tasapaino.** Siten voit paremmin hallita sähkötyökalua odottamattomissa tilanteissa.
- ▶ **Käytä työohsi soveltuvia vaatteita. Älä käytä löysiä työvaatteita tai koruja. Pidä hiukset, vaatteet ja käsineet loitolla liikkuvista osista.** Väljät vaatteet, korut ja pitkät hiukset voivat takertua liikkuviin osiin.
- ▶ **Jos pölynpoisto- ja keräilylaitteita voidaan asentaa, sinun on tarkastettava, että ne on liitetty oikein ja että niitä käytetään oikealla tavalla.** Pölynpoistovarustuksen käyttö vähentää pölyn aiheuttamia vaaroja.



- ▶ **Älä tuudittaudu virheelliseen turvallisuuden tunteeseen äläkä laiminlyö sähkötyökaluja koskevia turvallisuusohjeita silloinkaan, kun mielestäsi jo olet kokenut sähkötyökalan käyttäjä.** Harkitsema-
ton ja huolimaton toiminta voi sekunnin murto-osissa johtaa vakaviin loukkaantumisiin.

Sähkötyökalan käyttö ja käsittely

- ▶ **Älä ylikuormita konetta.** Käytä kyseiseen työhön tarkoitettua sähkötyökaluja. Sopivaa sähkötyökaluja käyttäen työskentelet paremmin ja varmemmin tehoalueella, jolle sähkötyökalu on tarkoitettu.
- ▶ **Älä käytä sähkötyökaluja, jonka käyttökäytin ei toimi.** Sähkötyökalu, jota ei enää voida käynnistää ja pysäyttää käyttökäytimellä, on vaarallinen ja se täytyy korjata.
- ▶ **Irrota pistoke pistorasiasta ja/tai irrota akku ennen kuin muut säätöjä, vaihdat terää tai lisävarusteita ja kun lopetat koneen käyttämisen.** Tämä turvatoimenpide estää sähkötyökalan tahattoman käynnistysriskin.
- ▶ **Säilytä sähkötyökalu poissa lasten ulottuvilta, kun niitä ei käytetä. Älä anna toisten henkilöiden käyttää konetta, elleivät he ole perehtyneet sen käyttöön ja lukeneet käyttöohjeita.** Sähkötyökalat ovat vaarallisia, jos niitä käyttävät kokemattomat henkilöt.
- ▶ **Hoida sähkötyökaluja ja niiden varusteita huolella. Tarkasta, että liikkuvat osat toimivat moitteettomasti eivätkä ole puristuksia, ja tarkasta myös, ettei sähkötyökaluissa ole murtuneita tai vaurioituneita osia, jotka saattaisivat haitata sen toimintaa. Korjauta vaurioituneet osat ennen koneen käyttämistä.** Usein loukkaantumisten ja tapaturmien syynä on sähkötyökaluja laiminlyöty huolto.
- ▶ **Pidä terät terävinä ja puhtaina.** Huolella hoidetut terät, joiden leikkausreunat ovat teräviä, eivät jumitu herkästi, ja niillä työntekeo on kevyempää.
- ▶ **Käytä sähkötyökaluja, lisävarusteita ja tarvikkeita, teriä jne. niiden käyttöohjeiden mukaisesti. Ota tällöin työolosuhteet ja suoritettava työtehtävä huomioon.** Sähkötyökalan käyttö muuhun kuin sille tarkoitettuun käyttöön saattaa johtaa vaarallisiin tilanteisiin.
- ▶ **Pidä käsikahvat ja tartuntapinnat kuivina, puhtaina, öljyttöminä ja rasvattomina.** Jos käsikahvat tai tartuntapinnat ovat liukkaat, sähkötyökalan turvallinen käyttö ja hallinta voi yllättävissä tilanteissa olla mahdotonta.

Akkukäyttöisen sähkötyökalan käyttö ja käsittely

- ▶ **Lataa akku vain valmistajan suositamalla laturilla.** Jos laturi on tarkoitettu vain tietyn akkumallin lataamiseen, palovaara on olemassa, jos laturia käytetään muiden akkujen lataamiseen.
- ▶ **Käytä ainoastaan juuri kyseiseen sähkötyökaluun tarkoitettua akkua.** Jonkun muun akun käyttö saattaa johtaa loukkaantumiseen ja tulipaloon.
- ▶ **Pidä irrallinen akku loitolla metalliesineistä, kuten paperinliittimistä, kolikoista, avaimista, nau-loista, ruuveista tai muista pienistä metalliesineistä, jotka voivat oikosulkea akun liittimet.** Akun liittimien välinen oikosulu saattaa aiheuttaa palovammoja tai johtaa tulipaloon.
- ▶ **Väärästä käytöstä johtuen saattaa akusta vuotaa nestettä, jota ei saa koskettaa. Vältä kosketusta sen kanssa. Tarvittaessa huuhtelee kosketuskohta vedellä. Jos nestettä pääsee silmiin, tarvitaan lisäksi lääkärin apua.** Akusta vuotava neste saattaa aiheuttaa ärsytystä ja palovammoja.
- ▶ **Älä käytä akkua, joka on vaurioitunut tai johon on tehty muutoksia.** Vaurioitunut akku tai akku, jota on muutettu, saattaa käyttäytyä yllättävästi ja aiheuttaa tulipalon, räjähdyksen ja vammoja.
- ▶ **Varjele akkua avotulelta ja korkeilta lämpötiloilta.** Avotuli tai yli 130 °C:n (265 °F) lämpötila voi aiheuttaa räjähdyksen.
- ▶ **Noudata kaikkia akun lataamisesta annettuja ohjeita, ja lataa akku tai akun sisältävä sähkötyökalu aina käyttöohjeessa mainittuja lämpötilarajoja noudattaen.** Akun virheellinen lataaminen tai lataami-nen sallitun lämpötila-alueen lämpötiloja noudattamatta saattaa johtaa akun tuhoutumiseen ja aiheuttaa tulipalovaaran.

Huolto

- ▶ **Anna koulutettujen ammattihenkilöiden korjata sähkötyökaluja ja hyväksy korjauksiin vain alkupe-räisiä varaosia.** Siten varmistat koneen turvallisuuden säilymisen.
- ▶ **Älä koskaan yritä huoltaa vaurioitunutta akkua.** Akkujen kaikki huoltotyöt saa suorittaa vain valmistaja tai sen valtuuttama huoltopiste.

2.2 Akkujen käyttö ja hoito

- ▶ Ota litiumioniakkujen kuljettamisesta, varastoinnista ja käyttämisestä annetut erityisohjeet huomioon.
- ▶ Suojaa akut korkeilta lämpötiloilta, suoralta auringonpaisteelta ja avotulelta.
- ▶ Akkuja ei saa avata, puristaa, kuumentaa yli 80 °C:n lämpötilaan tai polttaa.
- ▶ Älä käytä tai lataa akkua, joka on saanut iskun, joka on pudonnut yli metrin korkeudelta tai joka on muulla tavoin vaurioitunut. Tällaisessa tapauksessa ota aina yhteys **Hilti -huoltoon**.



- ▶ Jos akku on liian kuuma koskea, se saattaa olla vaurioitunut. Laita akku palovarattomaan paikkaan ja riittävän etäälle syttyivistä materiaaleista. Anna akun jäähtyä. Jos akku vielä tunnin kuluttuakin on liian kuuma koskea, akku on vaurioitunut. Ota yhteys **Hilti-huoltoon**.

2.3 Muut turvallisuusohjeet

Henkilöturvallisuus

- ▶ Käytä suojakäsineitä, kun käytät tuotetta. Työkaluterä kuumenee käytön myötä, mistä aiheutuu palovamavaara. Syntyvät leikkausreunat ja metallilastut ovat teräviä, joten niistä aiheutuu loukkaantumisaavaara.
- ▶ Pidä työssäsi rentouttavia taukoja, joiden aikana tee sormivoimisteluliikkeitä varmistaaksesi sormiesi hyvän verenkierron.
- ▶ Käytä kuulosuojaimia. Melu saattaa heikentää kuuloasi.
- ▶ Älä tee tuotteella työtä pääsi yläpuolelle.

Sähköturvallisuus

- ▶ Tarkastuta likaantunut kone säännöllisin välein Hilti-huollossa, jos työstät sähköä johtavia materiaaleja usein. Koneen pintaan kertynyt pöly, etenkin sähköä johtavien materiaalien pöly, tai kosteus saattavat epäsuotuisissa tilanteissa aiheuttaa sähköiskun.
- ▶ Puhdista sähkötyökalusi jäähtytysilmaraot säännöllisin välein. Moottorin jäähtytyspuhallin imee pölyä koneen kotelon sisään, ja metallipölyn suuri määrä voi aiheuttaa sähköisen vaaratilanteen.
- ▶ Tarkasta ennen työn aloittamista esimerkiksi metallinilmaisimella, onko työskentelyalueella rakenteiden sisälle asennettuja sähkö-, kaasu- tai vesijohtoja. Koneen ulkopinnan metalliosiin saattaa johtua jännite, jos esimerkiksi vahingossa osut sähköjohtoon.
- ▶ Älä leikkaa materiaaleja, joissa saattaa olla jännite.

Työpaikan turvallisuus

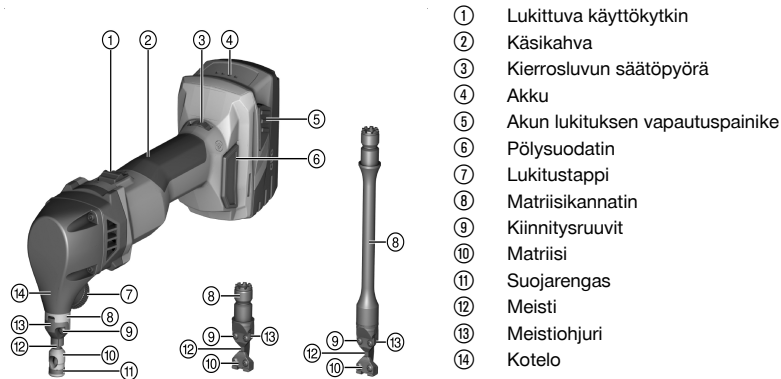
- ▶ Pidä työskentelyalue puhtaana. Metallilastut ovat teräviä, joten ne voivat naarmuttaa lattiaa.

Sähkötyökalujen käyttö ja hoito

- ▶ Varmista, että tuotteessa ei ole lastuja tai likaa. Varmista, ettei lastuja työn aikana pääse tuotteen käyttökytkimen alueelle. Lastut saattaisivat jumittaa käyttökytkimen, jolloin tuotetta ei enää saisi kytkettyä pois päältä.

3 Kuvaus

3.1 Tuoteyhteenveto



3.2 Tarkoituksenmukainen käyttö

Kuvattu tuote on käsiohjattava akkukäyttöinen nakertaja. Se on tarkoitettu teräksestä, alumiinista, kirjome-tallista ja muovista valmistettujen levymäisten työkalupalojen katkaisemiseen, suorien tai kaarevien ulkoreu-nojen ja sisäleikkausten nakertamiseen sekä nakertamiseen piirtoreunaa pitkin. Nakertamistyöstöllä saadaan aikaan vääntymättömät leikkausreunat. Käytettävästä työkaluterästä riippuen käyttötarkoituksia on monia.



SPN-CN: Tämä työkaluterä on lisäksi tarkoitettu putkien katkaisemiseen, aaltopeltilevyjen työstöön ja nakertamiseen sapluunaa käyttäen. Koveromeistin ansiosta nakertaja voidaan työtä tehtäessä kääntää paikallaan ja työstämistä voidaan siten jatkaa haluttuun suuntaan.

Vaihtoehto: SPN-RN ja SPN-RL: Nämä työkaluterät on lisäksi tarkoitettu profiililevyjen kuten harjannelevyjen, aaltopellin, kasettipellin ja taivutettujen profiililistojen katkaisuun.

- ▶ Käytä tämän tuotteen yhteydessä vain B 22 -tyyppisarjan **Hilti**-litiumioniakkuja.
- ▶ Käytä näiden akkujen lataamiseen vain C4/36-sarjan **Hilti**-latureita.

3.3 Toimituksen sisältö

Nakertaja, Torx-avain, käyttöohje

Käyttöturvallisuuden varmistamiseksi käytä vain alkuperäisiä varaosia ja käyttömateriaaleja. Tälle tuotteelle hyväksytyitä varaosia, kulutusmateriaaleja ja lisävarusteita löydät **Hilti Store** -liikkeestä tai osoitteesta: www.hilti.group

Tuotteen toiminta on tehtaalta tarkastettu. Sen yhteydessä työkalulle on saatanut aiheuttaa kotolon pintaan erittäin pieniä naarmuja.

3.4 Ylikuumenemissuoja

Moottorin ylikuumenemissuoja valvoo virrankulutusta ja moottorin lämpötilaa ja estää mahdolliset ylikuumenemissuuriot.

Jos moottori ylikuormittuu konetta liian voimakkaasti painettaessa, koneen teho heikkenee huomattavasti tai kone saattaa pysähtyä.

Jos kone pysähtyy tai sen kierrosluku laskee ylikuormituksen vuoksi, nosta laikka irti työkalupaleesta ja käytä konetta joutokäyntikierrosluvulla noin 30 sekunnin ajan.

3.5 Litiumioniakun lataustilan näyttö

Litiumioniakun lataustila näytetään, kun jompaakumpaa akun lukituksen vapautuspainikkeista painetaan kevyesti.

Tila	Merkitys
4 LED-merkkivaloa palaa.	Lataustila: 75 % ... 100 %
3 LED-merkkivaloa palaa.	Lataustila: 50 % ... 75 %
2 LED-merkkivaloa palaa.	Lataustila: 25 % ... 50 %
1 LED-merkkivalo palaa.	Lataustila: 10 % ... 25 %
1 LED-merkkivalo vilkkuu.	Lataustila: < 10 %

Lataustilan tarkastaminen koneen käytön aikana tai välittömästi käyttämisen jälkeen ei ole mahdollista. Jos akun lataustilan LED-merkkivalot vilkkuvat, ota huomioon ohjeet kappaleessa Apua häiriötilanteisiin.

4 Tekniset tiedot

Nakertajan mukana toimitetaan työkaluterä SPN-CN. SPN-RN ja SPN-RL ovat saatavissa lisävarusteina.

	SPN-CN	SPN-RN	SPN-RL
Nimellisjännite	21,6 V	21,6 V	21,6 V
Paino EPTA Procedure 01 mukaan sis. akku B228.0	3,1 kg	3,0 kg	3,3 kg
Iskuluku tyhjäkäynnillä	620/min ... 1 370/min	620/min ... 1 370/min	620/min ... 1 370/min
Aloitusreiän halkaisija	17 mm	24 mm	24 mm
Pienin säde kaareviin leikkauksiin	4,0 mm	•/•	•/•
Säde	•/•	50 mm	50 mm
Leikkausuran leveys	8,0 mm	5,0 mm	5,0 mm



	SPN-CN	SPN-RN	SPN-RL
Sallittu materiaalipaksuus teräs 400 N/mm ² saakka	2,0 mm / 14 Ga	2,0 mm / 14 Ga	2,0 mm / 14 Ga
Sallittu materiaalipaksuus teräs 600 N/mm ² saakka	1,5 mm / 16 Ga	1,5 mm / 16 Ga	1,5 mm / 16 Ga
Sallittu materiaalipaksuus teräs 800 N/mm ² saakka	1,0 mm / 20 Ga	1,0 mm / 20 Ga	1,0 mm / 20 Ga
Sallittu materiaalipaksuus alumiini 250 N/mm ² saakka	2,5 mm / 10 Ga	3,0 mm / 9 Ga	3,0 mm / 9 Ga

4.1 Akku

Akkutoimintajännite	21,6 V
Ympäristön lämpötila käytettäessä	-17 °C ... 60 °C
Varastointilämpötila	-20 °C ... 40 °C
Akun lämpötila lataamisen alkaessa	-10 °C ... 45 °C

4.2 Melutiedot ja värinäarvot EN 62841 mukaan

Tässä käyttöohjeessa annetut äänenpaine- ja värinäarvot on mitattu standardoitujen mittausmenetelmien mukaisesti, ja näitä arvoja voidaan käyttää sähkötyökalujen vertailussa. Ne soveltuvat myös altistumisten tilapäiseen arviointiin.

Annetut arvot koskevat sähkötyökalun pääasiallisia käyttötarkoituksia. Jos sähkötyökalua kuitenkin käytetään muihin tarkoituksiin, poikkeavia työkaluja tai teriä käyttäen tai puutteellisesti huollettuna, arvot voivat poiketa tässä ilmoitetuista. Tämä saattaa merkittävästi lisätä altistumista koko työskentelyajan aikana.

Altistumisia tarkasti arvioitaessa on otettava huomioon myös ne ajat, jolloin kone on kytketty pois päältä tai jolloin kone on päällä, mutta sillä ei tehdä varsinaista työtä. Tämä saattaa merkittävästi vähentää altistumista koko työskentelyajan aikana.

Käyttäjän suojaamiseksi melun ja/tai värinän vaikutukselta ryhdy tarpeellisiin turvatoimenpiteisiin kuten: Sähkötyökalun ja siihen kiinnitettävien työkalujen huolto, käsien lämpimänä pitäminen, työtehtävien organisointi.

Melutiedot

Tyypillinen A-painotettu melupäästön äänenpainetaso (L_{pA})	91 dB(A)
Äänenpainetaso epävarmuus (K_{pA})	3 dB(A)
Tyypillinen A-painotettu äänitehotaso (L_{wA})	102 dB(A)
Äänitehotason epävarmuus (K_{wA})	3 dB(A)

Värinäarvot

	SPN-CN	SPN-RN	SPN-RL
Kolmen akselin suuntainen värinäarvo (a_n)	6,7 m/s ²	7,4 m/s ²	6,2 m/s ²
Epävarmuus (K)	1,5 m/s ²	1,5 m/s ²	1,5 m/s ²

5 Työkohteen valmistelu

VAROITUS

Loukkaantumisvaara vahingossa käynnistymisen seurauksena!

- ▶ Varmista ennen akun kiinnittämistä, että tuote on kytketty pois päältä.
- ▶ Irrota akku, ennen kuin muutat koneen säätöjä tai vaihdat lisävarusteosia.

Noudata tässä dokumentaatioissa ja tuotteessa olevia turvallisuus- ja varoitushuomautuksia.

5.1 Akun lataus

1. Ennen lataamista lue laturin käyttöohje.
2. Varmista, että liittimet akussa ja laturissa ovat puhtaat ja kuivat.
3. Lataa akku hyväksytyllä laturilla.



5.2 Akun kiinnitys

VAROITUS

Loukkaantumisvaara akun oikosulun tai putoamisen seurauksena!

- ▶ Ennen akun paikalleen laittamista varmista, ettei akun liittimissä akussa ja tuotteessa ole vieraita esineitä.
- ▶ Varmista, että akku aina lukittuu kunnolla paikalleen.

1. Lataa akku täyteen ennen ensimmäistä käyttökertaa.
2. Aseta akku kiinnikkeeseen koneessa siten, että akku kuuluvasti lukittuu.
3. Tarkasta, että akku on kunnolla kiinni.

5.3 Akun irrotus

1. Paina akun lukituksen vapautuspainikkeita.
2. Vedä akku irti laitteesta.

5.4 Työkaluterät

Työkaluterien ja työstettävän materiaalin pintamuotojen soveltuvat yhdistelmät näet kuvasta.

Pintamuotojen selitykset:

- A: Sileä levy
- B: Aaltolevy
- C: Harjannelevy (profiilisyvyys max. 85 mm)
- D: Harjannelevy (profiilisyvyys max. 162 mm)

Jotta työkaluterillä SPN-RN ja SPN-RL voidaan tehdä enintään 1 mm paksuun levyyn jäysteetön leikkaus, voidaan käyttää matriisia P1. Pienempi leikkausvälys vähentää jäysteitä.

5.5 Työkaluterän irrotus

1. Löystytä lukitustappia kuusi kierrosta vastapäivään.
2. Vedä työkaluterä kotelosta.

5.6 Työkaluterän kiinnitys

1. Rasvaa meistiohjuri.
2. Ripusta meisti karan uraan.
3. Suuntaa leikkaussuunta eteenpäin.
4. Aseta työkaluterä koteloon leikkaussuunta eteenpäin.
5. Kohdista sitten työkaluterä haluamaasi leikkaussuuntaan.
6. Kierrä lukitustappi myötäpäivään kiinni ja kiristä se käsitiukkuuteen.
 - ▶ Kotelon ja matriisikannattimen välissä ei saa olla rakoa.

5.7 Leikkaussuunnan säätö

Tarvittaessa voit kääntää leikkaussuuntaa oikealle tai vasemmalle 45 asteen pykälin.

Siten voit helpommin työstää profiililevyjä ja mukauttaa nakertajan oikealla tai vasemmalla kädellä käytettäväksi.

1. Löystytä lukitustappia noin kolme kierrosta vastapäivään, kunnes lukitusvaikutusta ei enää tunnu.
2. Vedä työkaluterää hiukan ulos kotelosta ja käännä se haluamaasi suuntaan.
 - ▶ Mahdollisia lukitusasentoja on kahdeksan.
3. Työnnä työkaluterä halutussa lukitusasennossa takaisin koteloon.
4. Kierrä lukitustappi myötäpäivään kiinni ja kiristä se käsitiukkuuteen.
 - ▶ Kotelon ja matriisikannattimen välissä ei saa olla rakoa.

5.8 Iskuluvun säätö

- ▶ Säädä iskuluku kierrosluvun säätöpyörällä.



6 Käyttö

Noudata tässä dokumentaatiossa ja tuotteessa olevia turvallisuus- ja varoitushuomautuksia.

6.1 Kytkeminen päälle

1. Paina käyttökytkimen takaosaa.
2. Työnnä käyttökytkintä eteenpäin.
 - ▶ Moottori pyörii.
3. Lukitse käyttökytkin.

6.2 Leikkaaminen 5



VAARA

Varoitus Nakertajan ylikuormittuminen tylsien työkaluterien vuoksi!

- ▶ Tarkasta meistin leikkuuterän kuluneisuus säännöllisesti. Vaihda meisti ajoissa nakertajan varjelemiseksi.

1. Sivele leikkausura öljyllä, jotta parannat meistin kestoa ja leikkausjälkeä.
2. Kytke tuote päälle. → Sivu 55
3. Kun täysi kierros on saavutettu, ohjaa nakertaja työkappaleeseen.
 - ▶ Kun teet sisäleikkausta, tee ensin käyttämällesi työkaluterälle sopiva aloitusreikä.
4. Leikkaa haluamasi leikkauslinja.
5. Leikkaamisen päätteeksi kytke tuote pois päältä. Jos leikkausura päättyy työkappaleen sisässä, vedä päälle kytkettyä tuotetta muutama millimetri taaksepäin, ennen kuin kytket tuotteen pois päältä.



Älä laske nakertajaa lastuihin, ennen kuin se on täysin pysähtynyt. Muutoin lastuja voi imeytyä moottoriin.

6.3 Leikkaaminen sapluunaa käyttäen 5

Vaihtoehto: SPN-CN

Leikkaaminen sapluunaa käyttäen edellyttää seuraavia:

- Sapluunan paksuuden pitää olla 5–7 mm.
- Sapluunan muodon pitää olla 2,5 mm verran suurempi kuin leikattavan muodon.
- Ota pienin säde 4 mm huomioon. Sapluunan vastaava pienin säde on siten 6,5 mm.
- Nakertajaa on ohjattava siten, että meistiohjurin ulkoreuna vastaa aina sapluunaan.

6.4 Kytkeminen pois päältä

- ▶ Paina käyttökytkimen takaosaa.
 - ▶ Käyttökytkin ponnahtaa pois päältä -asentoon ja moottori pysähtyy.

7 Vaihtoehtoinen lisävaruste

7.1 Lastupussin kiinnitys 7

Vaihtoehto: SPN-CN

Jotta lastut eivät pääse leviämään hallitsemattomasti, tuotteeseen voidaan kiinnittää lastupussi, johon lastut kootaan.

1. Paina lastupussin jousen päitä kokoon.
2. Aseta jousi matriisin alapään ympärille ja vapauta jousen päät.
3. Tarkasta jousen ja lastupussin kunnollinen kiinnitys.



8 Huolto, hoito ja kunnossapito

**VAARA**

Loukkaantumisvaara jos akku paikallaan !

- ▶ Irrota akku aina ennen hoito- ja kunnostustöitä!

Koneen hoito

- Poista pinttynyt lika varovasti.
- Irrota pölysuodatin ja puhdista se sekä jäähdytysilmaraat varovasti kuivalla harjalla.
- Käytä kotelon puhdistamiseen vain kevyesti kostutettua kangasta. Älä käytä silikonia sisältäviä hoitoaineita, sillä ne voivat vaurioittaa muoviosia.

Litiumioniakkujen hoito

- Pidä akku puhtaana, öljyttömänä ja rasvattomana.
- Käytä kotelon puhdistamiseen vain kevyesti kostutettua kangasta. Älä käytä silikonia sisältäviä hoitoaineita, sillä ne voivat vaurioittaa muoviosia.
- Varo, ettei kosteutta pääse tunkeutumaan sisään.

Kunnossapito

- Tarkasta säännöllisin välein kaikkien näkyvien osien mahdolliset vauriot ja käyttöelementtien moitteeton toiminta.
- Jos havaitset vaurioita ja / tai toteat toimintahäiriöitä, älä käytä tuotetta. Korjauta heti **Hilti**-huollossa.
- Hoito- ja kunnostustöiden jälkeen kiinnitä kaikki suojalaitteet ja tarkasta niiden toiminta.



Käyttöturvallisuuden varmistamiseksi käytä vain alkuperäisiä varaosia ja käyttömateriaaleja. Tälle tuotteelle hyväksytyjä varaosia, kulutusmateriaaleja ja lisävarusteita löydät **Hilti Store** -liikkeestä tai osoitteesta: www.hilti.group.

8.1 Meistin vaihto



Aina meistin vaihdon yhteydessä tarkasta myös matriisin, meistiohjurin ja kulumislevyn (ei jos kone SPN-CN) kuluneisuus ja tarvittaessa vaihda ne.

1. Irrota työkaluterä. → Sivu 54
2. Irrota kulunut meisti työkaluterästä.
3. Rasvaa uusi meisti ja työkaluterässä oleva meistiohjuri.
4. Jos seuraava varuste on olemassa, tee lisäksi tämä toimenpide:

Vaihtoehto: SPN-RL

- ▶ Kiinnitä karajatko karan ja meistin väliin ja rasvaa se.
5. Kiinnitä työkaluterä. → Sivu 54

8.2 Matriisin vaihto

Vaihtoehto: SPN-CN

1. Työnnä suojarengas urasta ylöspäin.
2. Paina lieriötappi sopivalla reikäaltalla irti.
3. Vedä matriisi irti kannatintapista.
4. Aseta uusi matriisi kannatintappiin.
5. Kiinnitä lieriötappi takaisin paikalleen.
6. Työnnä suojarengas alaspäin uraan ja tarkasta, että se on kunnolla paikallaan.



8.3 Meistiohjurin vaihto **10**

Vaihtoehto: SPN-CN

VAROITUS

Vaurioitusvaara tuotteelle ja terätyökaluille!

- ▶ Puhdista kierre ennen kiinnitysruuvien kiinnittämistä.
- ▶ Käytä aina mukana toimitettuja uusia kiinnitysruuveja ja varmista niiden oikea kiristystiukkuus.

1. Irrota matriisi. → Sivu 56
2. Irrota kiinnitysruuvit.
3. Irrota meistiohjuri.
4. Aseta uusi meistiohjuri paikalleen.
5. Kierrä kiinnitysruuvit kiinni ja kiristä ohjeenmukaiseen tiukkuuteen.

Tekniset tiedot

Kiristystiukkuus	3 Nm
------------------	------

6. Kiinnitä matriisi takaisin.

8.4 Matriisin, meistiohjurin ja kulumislevyn vaihto **11, 12**

Vaihtoehto: SPN-RN

TAI SPN-RL

VAROITUS

Vaurioitusvaara tuotteelle ja terätyökaluille!

- ▶ Puhdista kierre ennen kiinnitysruuvien kiinnittämistä.
- ▶ Käytä aina mukana toimitettuja uusia kiinnitysruuveja ja varmista niiden oikea kiristystiukkuus.

1. Irrota kiinnitysruuvit.
2. Irrota meistiohjuri ja matriisi.
3. Tarkasta kulumisjäljet kulumislevyssä.

Tulos

Jos selviä kulumisjälkiä on havaittavissa:

- ▶ Irrota kulumislevy ja vaihda sen tilalla uusi.

4. Puhdista matriisin vastinpinnat.
5. Keskitä meistiohjuri ja matriisi tappien avulla.
6. Kiristä kiinnitysruuvit kiinni käsi tiukkuuteen.
7. Rasvaa meistiohjurin ohjainpinnat.
8. Kiristä kiinnitysruuvit ristiin kiinni ohjeenmukaiseen kiristystiukkuuteen.

Tekniset tiedot

Kiristystiukkuus	3 Nm
------------------	------

9 Akkukäyttöisten koneiden kuljetus ja varastointi

Kuljettaminen

VAROITUS

Käynnistyminen vahingossa kuljetuksen aikana !

- ▶ Kuljeta tuotteesi aina akku irrotettuna!
- ▶ Irrota akut.
- ▶ Älä koskaan kuljeta akkuja irrallaan muiden tavaroiden joukossa.
- ▶ Pitemmän kuljetuksen jälkeen tarkasta koneen ja akkujen mahdolliset vauriot ennen käyttöä.



Varastointi

VAROITUS

Viallinen tai vuotava akku voi aiheuttaa vaurioita !

- ▶ Varastoi tuotteesi aina akku irrotettuna!
- ▶ Varastoi kone ja akut viileässä ja kuivassa paikassa.
- ▶ Älä koskaan varastoi akkuja auringonpaisteessa, lämmittimen tai patterin päällä tai ikkunan vieressä.
- ▶ Varastoi kone ja akut lasten ja asiattomien henkilöiden ulottumattomissa.
- ▶ Pitemmän varastoinnin jälkeen tarkasta kone ja akkujen mahdolliset vauriot ennen käyttöä.

10 Apua häiriötilanteisiin

Häiriöissä, joita ei ole kuvattu tässä taulukossa tai joita et itse pysty poistamaan, ota yhteys **Hilti**-huoltoon.

10.1 Vianmääritys

Häiriö	Mahdollinen syy	Ratkaisu
Akku tyhjenee tavallista nopeammin.	Erittäin alhainen ympäristön lämpötila.	▶ Anna akun hitaasti lämmitä huoneenlämpötilaan.
Akku ei lukitu paikalleen selvästi naksauttaen.	Akun salpanokat ovat likaantuneet.	▶ Puhdista salpanokat ja kiinnitä akku uudelleen paikalleen.
1 LED-merkkivalo vilkkuu. Kone ei toimi.	Akku tyhjentynyt.	▶ Vaihda akku ja lataa tyhjentynyt akku.
	Akku on liian kylmä tai liian kuuma.	▶ Anna akun hitaasti lämmitä tai jäähtyä huoneenlämpötilaan.
Kaikki 4 LED-merkkivaloa vilkkuvat. Kone ei toimi.	Kone on ylikuormittunut.	▶ Vapauta käyttökytkin ja paina sitä uudelleen. Anna sitten koneen käydä noin 30 sekunnin ajan joutokäyntiä.
Kone tai akku kuumenee voimakkaasti.	Sähköinen vika	▶ Kytke kone heti pois päältä, irrota akku koneesta, valvo akkua, anna sen jäähtyä ja hakeudu Hilti -huoltoon.
Koneen teho on heikko.	Käytettävän akun kapasiteetti on liian pieni.	▶ Käytä akkua, jonka kapasiteetti on riittävä.
Heikentynyt leikkausteho	Meisti kulunut	▶ Vaihda meisti. → Sivu 56
Ei moottorin jarrustustoimintaa.	Akku tyhjentynyt.	▶ Vaihda akku ja lataa tyhjentynyt akku.
	Kone on hetkellisesti ylikuormittunut.	▶ Kytke kone pois päältä ja takaisin päälle.

11 Hävittäminen

Hilti-työkalut, -koneet ja -laitteet on pääosin valmistettu kierrätyskelpoisista materiaaleista. Kierrätyksen edellytys on materiaalien asianmukainen lajittelu. Useissa maissa **Hilti** ottaa vanhat koneet ja laitteet vastaan kierrätystä ja hävitystä varten. Lisätietoja saat **Hilti**-huollosta tai -edustajalta.

Akkujen hävittäminen

Määräystenvastaisten hävittämisen seurauksena akuista ulos pääsevät kaasut tai nesteet voivat vaarantaa terveyden.

- ▶ Älä läheta vaurioituneita akkuja!
- ▶ Peitä liitännät sähköä johtamattomalla materiaaalilla oikosulkujen välttämiseksi.
- ▶ Hävitä akut siten, etteivät ne voi joutua lasten käsiin.
- ▶ Hävitä akku viemällä se **Hilti Store** -liikkeeseen tai käänny vastuullisen jätteenkäsittely-yrityksen puoleen.



- ▶ Älä hävitä sähkötyökaluja, elektronisia laitteita ja akkuja tavallisen sekajätteen mukana!



12 RoHS (vaarallisten aineiden käytön rajoittamisen direktiivi)

Vaarallisten aineiden taulukon löydät seuraavasta linkistä: qr.hilti.com/r10695220.
Linkki RoHS-taulukkoon on tämän dokumentaation lopussa QR-koodina.

13 Valmistajan myöntämä takuu

- ▶ Jos sinulla on takuuehtoihin liittyviä kysymyksiä, ota yhteys paikalliseen **Hilti**-edustajaan.

Originaalkasutusjuhend

1 Andmed dokumentatsiooni kohta

1.1 Kasutusjuhend

- Enne seadme kasutuselevõttu lugege see kasutusjuhend läbi. See on ohutu kasutamise ja tõrgeteta töö eeldus.
- Järgige kasutusjuhendis esitatud ja tootele märgitud ohutusnõudeid ja hoiatusi.
- Hoidke kasutusjuhend alati seadme juures ja toote edasiandmisel teistele isikutele andke üle ka kasutusjuhend.

1.2 Märkide selgitus

1.2.1 Hoiatused

Hoiatused annavad märku toote kasutamisel tekkinud ohtudest. Kasutatakse alljärgnevat märksõnu:

OHT

OHT !

- ▶ Võimalikud ohtlikud olukorrad, mis võivad põhjustada kasutaja raskeid kehavigastusi või hukkumist.

HOIATUS

HOIATUS !

- ▶ Võimalik ohtlik olukord, mis võib põhjustada kasutaja raskeid kehavigastusi või hukkumist.





ETTEVAATUST

ETTEVAATUST !

- ▶ Võimalikud ohtlikud olukorrad, mis võivad põhjustada kehavigastusi või varalist kahju.



1.2.2 Kasutusjuhendis kasutatud sümbolid

Selles dokumendis kasutatakse järgmisi sümboleid.

	Lugege enne kasutamist läbi kasutusjuhend!
	Soovitused seadme kasutamiseks ja muu kasulik teave
	Taaskasutatavate materjalide käsitlemine
	Elektriseadmeid ja akusid ei tohi visata olmejäätmete hulka.

1.2.3 Joonistel kasutatud sümbolid

Joonistel kasutatakse järgmisi sümboleid.

	Numbrid viitavad vastavatele joonistele kasutusjuhendi alguses
	Numeratsioon kajastab töetappide järjekorda pildil ja võib tekstis kirjeldatud töetappidest erineda



11	Positsiooninumbreid kasutatakse ülevaatejoonisel ja need viitavad selgituste numbritele toote ülevaates
	See märk näitab, et toote käsitlemisel tuleb olla eriti tähelepanelik.

1.3 Tootepõhised sümbolid

1.3.1 Sümbolid tootel

Tootel võib kasutada alljärgnevaid sümboleid:

	Seade toetab NFC-tehnoloogiat, mis on ühildatav iOS- ja Android-platvormidega.
	Kasutatud Hilti liitumioonaku seeria. Pidage kinni juhistest peatükis Sihipärane kasutamine .
	Ärge kasutage akut kunagi löögiriistana.
	Ärge laske akul kunagi maha kukkuda. Ärge kasutage akut, mis on saanud löögi või on muul moel kahjustatud.
Li-Ion	Liitumioonaku
	Alalisvool
	Kandke kaitseprille

1.4 Tooteinfo

tooted on ette nähtud professionaalsele kasutajale ja neid tohivad käsitseda, hooldada ja korras hoida ainult volitatud ja asjaomase väljaõppega isikud. Nimetatud personal peab olema teadlik kõikidest kaasnevatest ohtudest. Seade ja sellega ühendatavad abivahendid võivad osutada ohtlikuks, kui neid ei kasutata nõuetekohaselt või kui nendega töötab vastava väljaõppeta isik.

Tüübitähis ja seerianumber on tüübisildil.

- ▶ Kandke seerianumber järgmise tabelisse. Andmeid toote kohta vajate meie esindusele või hooldekeskusele päringute esitamisel.

Tooteinfo

Nakerdaja	SPN 6-A22
Generatsioon:	01
Seerianumber:	

1.5 Vastavusdeklaratsioon

Kinnitame ainuvastutajana, et käesolevas kasutusjuhendis kirjeldatud seade vastab kehtivate direktiivide ja standardite nõuetele: Vastavusdeklaratsiooni ärakirja leiате käesoleva kasutusjuhendi lõpust.

Tehnilised dokumendid on saadaval:

Hilti Entwicklungsgesellschaft mbH | Zulassung Geräte | Hiltistraße 6 | 86916 Kaufering, DE

2 Ohutus

2.1 Üldised ohutusnõuded elektriliste tööriistade kasutamisel

⚠ HOIATUS! Lugege kõiki selle elektrilise tööriista juurde kuuluvaid ohutusjuhiseid, nõuandeid, jooniseid ja tehnilisi andmeid! Järgmiste juhiste eiramise tagajärg võib olla elektriööök, tulekahju ja/või rasked vigastused.

Hoidke kõik ohutusnõuded ja juhised edaspidiseks kasutamiseks alles.

Ohutusjuhistes kasutatud mõiste "elektriline tööriist" käib võrgutoitega (toitejuhtmega) elektriliste tööriistade või akutoitega (toitejuhtmeta) elektriliste tööriistade kohta.



Ohutus töökohal

- ▶ **Hoidke oma töökoht puhas ja valgustage seda korralikult.** Korrastamata ja valgustamata töökoht võib põhjustada õnnetusi.
- ▶ **Ärge kasutage elektrilist tööriista plahvatusohtlikus keskkonnas, kus leidub tuleohtlikke vedelikke, gaase või tolmu.** Elektrilistest tööriistadest lööb sädemeid, mis võivad tolmu või auru süüdata.
- ▶ **Hoidke lapsed ja kõik teised töökohast eemal, kui kasutate elektrilist tööriista!** Kui teie tähelepanu juhitakse kõrvale, võib seade teie kontrolli alt väljuda.

Elektriohutus

- ▶ **Elektrilise tööriista pistik peab sobima pistikupessa. Pistiku juures ei tohi teha mingeid muudatusi. Kaitsemaandusega seadmete puhul ei tohi kasutada adapterpistikuid.** Muutmata pistikud ja sobivad pistikupesad vähendavad elektrilöögiohtu.
- ▶ **Vältige keha kontakti maandatud pindadega (nt toru, radiaator, pliit, külmik).** Kui teie keha on maandatud, on elektrilöögi oht suurem.
- ▶ **Kaitske elektrilist tööriista vihma ja niiskuse eest.** Kui elektrilise tööriista sisemusse satub vett, suurendab see elektrilöögiohtu.
- ▶ **Ärge kasutage ühenduskaablit elektrilise tööriista kandmiseks, riputamiseks ega pistiku stepslist väljatõmbamiseks!** Hoidke ühenduskaablit eemal kuumusest, õldest, teravatest servadest ja liikuvatest osadest. Kahjustatud või keerdus ühenduskaablid suurendavad elektrilöögiohtu.
- ▶ **Kui töotate elektrilise tööriistaga vabas õhus, kasutage ainult selliseid pikendusjuhtmeid, mida tohib kasutada ka välitingimustes.** Välitingimustesse sobiva pikendusjuhtme kasutamine vähendab elektrilöögiohtu.
- ▶ **Kui seadmega töötamine niiskes keskkonnas on vältimatu, kasutage rikkevoolu kaitselülitiit.** Rikkevoolu kaitselülitiit kasutamine vähendab elektrilöögiohtu.

Inimeste ohutus

- ▶ **Olge tähelepanelik, jälgige, mida teete, ja toimige elektrilise tööriistaga töötades kaalutletult. Ärge tõotage elektrilise tööriistaga, kui olete väsinud või alkoholi, narkootikumide või ravimite mõju all! Hetkeline tähelepanematus elektrilise tööriista kasutamisel võib põhjustada raskeid kehavigastusi ja varalist kahju.**
- ▶ **Kandke isiklikke kaitsevahendeid ja alati kaitseprille.** Isiklike kaitsevahendite, nt tolmu maski, libisemiskindlate turvajalatsite, kaitsekiivri või kuulmiskaitsevahendite kandmine (sõltuvalt elektrilise tööriista tüübist ja kasutusalasest) vähendab vigastusohu.
- ▶ **Vältige elektrilise tööriista soovimatut käivitamist! Enne elektrilise tööriista ühendamist vooluvõrku ja/või elektrilise tööriista aku paigaldamist, tööriista ülestõstmist ja kandmist veenduge, et elektriline tööriist on välja lülitatud!** Kui hoiate elektrilise tööriista kandmisel sõrme lülitiil või ühendate vooluvõrku sisselülitatud tööriista, võib juhtuda õnnetus.
- ▶ **Enne elektrilise tööriista sisselülitamist eemaldage selle küljest seade- ja mutrivõtmed.** Elektrilise tööriista pöörleva osa küljes olev seade- või mutrivõti võib põhjustada vigastusi.
- ▶ **Vältige ebataivalist tööasendit! Võtke stabiilne tööasend ja säilitage alati tasakaal.** Nii saate elektrilist tööriista ootamatutes olukordades paremini kontrollida.
- ▶ **Kandke sobivat rõivastust. Ärge kandke laiu riideid ega ehteid! Hoidke juuksed, rõivad ja kindad seadme liikuvatest osadest eemal.** Lotendavad riided, ehted ja pikad juuksed võivad sattuda seadme liikuvate osade vahele.
- ▶ **Kui elektrilise tööriista külge on võimalik paigaldada tolmueemaldus- ja kogumisseadiseid, veenduge, et need on tööriistaga ühendatud ja et neid kasutatakse nõuetekohaselt.** Tolmueemaldus-seadise kasutamine võib vähendada tolmu taset ohtu.
- ▶ **Ärge laske tekkida petlikul turvatundel ega eirake elektrilise tööriista ohutusreegleid isegi siis, kui olete pärast paljukordset kasutamist elektrilise tööriistaga harjunud.** Tähelepanematu käsitsemine võib sekundi murdosa jooksul kaasa tuua raskeid vigastusi.

Elektrilise tööriista kasutamine ja käsitsemine

- ▶ **Ärge koormake seadet üle! Kasutage konkreetseks tööks sobivat elektrilist tööriista.** See töötab ettenähtud jõudluspiirides tõhusamalt ja ohutumalt.
- ▶ **Ärge kasutage elektrilist tööriista, mille lüliti on rikkis!** Elektriline tööriist, mida ei saa enam lülitiit korralikult sisse ja välja lülitada, on ohtlik ning tuleb viia parandusse.
- ▶ **Tõmmake enne seadme mis tahes seadetõid, tarvikute vahetamist ja seadme hoieülevaetust pistik pistikupesast välja ja/või eemaldage äravõetav aku.** See ettevaatusabinõu hoiab ära seadme soovimatu käivitumise.
- ▶ **Kasutusvälisel ajal hoidke elektrilist tööriista lastele kättesaamatus kohas. Ärge laske seadet kasutada isikutel, kes seadme tööpõhimõtet ei tunne või ei ole lugenud käesolevaid kasutusjuhendeid.** Asjatundmatute isikute käes on elektrilised tööriistad ohtlikud.



- ▶ **Hooldage elektrilisi tööriistu ja tarvikuid korralikult. Kontrollige, kas liikuvad osad töötavad veatult ega kiilu kiini. Veenduge, et seadme osad ei ole murdunud või kahjustatud määral, mis mõjutab seadme töökindlust. Laske kahjustatud osad enne seadme kasutamist parandada.** Ebapiisavalt hooldatud elektrilised tööriistad põhjustavad õnnetusi.
- ▶ **Hoidke lõiketarvikud teravad ja puhtad.** Hästi hooldatud, teravate lõikeservadega lõiketarvikud kiiluvad harvemini kinni ja neid on lihtsam juhtida.
- ▶ **Kasutage elektrilist tööriista, tarvikuid ja lisatarvikuid vastavalt nendele juhistele. Arvestage seejuures töötajate ja tehtava töö iseloomuga.** Elektrilise tööriista kasutamine otstarbel, milleks see ei ole ette nähtud, võib põhjustada ohtlikke olukordi.
- ▶ **Käepidemed ja haardepinnad peavad olema kuivad, puhtad ning vabad õlist ja rasvast.** Libedad käepidemed ja haardepinnad ei võimalda elektrilist tööriista ootamatutes olukordades kindlalt käsitseda ega kontrollida.

Akuga tööriista kasutamine ja käsitsemine

- ▶ **Laadige akusid ainult tootja soovitatud laadimiseseadmega.** Kui teatud tüüpi aku laadimiseks ettenähtud laadimiseseadet kasutatakse teist tüüpi akude laadimiseks, tekib tulekahjuoht.
- ▶ **Kasutage elektrilistes tööriistades ainult ettenähtud akusid.** Teist tüüpi akude kasutamine võib põhjustada vigastus- ja põlenguohtu.
- ▶ **Hoidke akud kasutusvälisel ajal eemal kirjaklambritest, müntidest, võtmetest, naeltest, kruvidest ja teistest väikestest metallesemetest, mis võivad aku kontaktid omavahel ühendada.** Aku kontaktide vahel tekkinud lühis võib põhjustada põletuse või tulekahju.
- ▶ **Väärkasutuse korral võib akuvedelik akust välja voolata. Vältige sellega kokkupuudet. Juhusliku kokkupuute korral loputage kahjustatud kohta veega. Kui vedelik satub silma, otsige ka arstiabi.** Väljavoolav akuvedelik võib põhjustada nahaärritust või põletust.
- ▶ **Ärge kasutage kahjustatud ega modifitseeritud akut!** Kahjustatud või modifitseeritud akud võivad käituda ettenägematult ja põhjustada tulekahju, plahvatusi või vigastusohtu.
- ▶ **Ärge laske akul kokku puutuda tule ega liiga kõrge temperatuuriga!** Tuli või temperatuur üle 130 °C (265 °F) võivad tekitada plahvatusi.
- ▶ **Järgige kõiki laadimisjuhiseid ja ärge kunagi laadige akut ega akutööriista väljaspool kasutusjuhendis näidatud temperatuurivahemikku.** Väär laadimine või laadimine väljaspool lubatud temperatuurivahemikku võib kahjustada akut ja suurendada tuleohtu.

Hoolitus

- ▶ **Laske elektrilist tööriista parandada ainult kvalifitseeritud spetsialistidel, kes kasutavad originaalvaruosi.** Nii on tagatud elektrilise tööriista ohutu töö.
- ▶ **Ärge hooldage kahjustatud akut!** Akut võib hooldada ainult tootja või volitatud klienditeenindus.

2.2 Akude hoolikas käitsemine ja kasutamine

- ▶ Järgige liitiumioonakude transpordi, ladustamise ja käsitsemise suhtes kehtivaid erinõudeid.
- ▶ Kaitske akusid kõrgete temperatuuride, otsese päikese kiirguse ja tule eest.
- ▶ Akusid ei tohi lahti võtta, muljuda, kuumutada üle 80 °C ega põletada.
- ▶ Ärge kasutage ega laadige akusid, mis on saanud löögi, kukkunud kõrgemal kui üks meetr või muul viisil vigastada saanud. Võtke sellisel juhul alati ühendust **Hilti hooldekeskusega**.
- ▶ Kui aku on nii kuum, et seda ei saa puudutada, võib aku olla defektne. Asetage aku nähtavasse tulekindlasse kohta, mis on süttivatest materjalidest piisavaltkaugel. Laske akul jahtuda. Kui aku on ühe tunni pärast ikka veel liiga kuum, et seda puudutada saaks, siis on aku defektne. Võtke ühendust **Hilti hooldekeskusega**.

2.3 Täiendavad ohutusnõuded

Isikurvalisus

- ▶ Seadmega töötamisel kandke kaitsekindaid. Seade kuumeneb tarvikute tõttu, mis tingib põletusohu. Tekkivad lõikeservad ja metall-laastud on teravad, mistõttu püsib vigastusohu.
- ▶ Töötades tehke pause, lõdvestage ja liigutage oma sõrmi, et parandada sõrmede verevarustust.
- ▶ Kandke kuulmiskaitsevahendeid. Müra võib kahjustada kuulmist.
- ▶ Ärge töötag seadmega pea kohal.

Elektriohutus

- ▶ Kui töölete seadmega sageli elektrit juhtivaid materjali, laske määratud seadet regulaarselt kontrollida Hilti hooldekeskuses. Seadme pinnale kinnitunud tolm või niiskus võib ebasoodsatel tingimustel tekitada elektrilöögi, seda just hea elektrijuhtivusega materjalide puhul.



- ▶ Puhastage seadme ventilatsiooniväsi regulaarselt. Mootori jahutusventilaator tõmbab tolmu korpusesse ning seadmesse kuhjunud metallitõlm võib põhjustada elektrilisi ohte.
- ▶ Kontrollige tööala enne töoga alustamist metalliotsijaga üle, et tuvastada varjatud elektrijuhtmete, gaasi või veetorude asukoht. Seadme välisasetusega metallosad võivad pingestuda, kui nt vigastatakse tahtmatult elektrijuhtmeid.
- ▶ Ärge lõigake toorikuid, mis võivad olla pingestatud.

Töökohaohutus

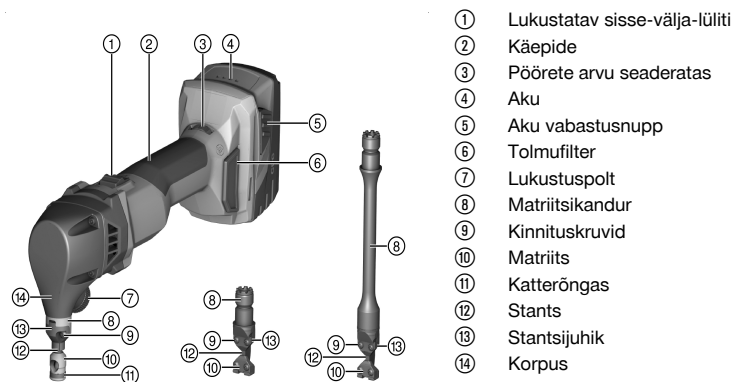
- ▶ Hoidke töökoht puhas. Metallilaastud on teravad ja võivad põhjustada kriimustada.

Elektritööriistade hoolikas käsitsemine ja kasutamine

- ▶ Veenduge, et seadmes ei ole laaste ega mustust. Pöörake tähelepanu sellele, et töötamise ajal ei sattuks laaste sisse-välja-lüliti alasse. Laastud võivad sisse-välja-lüliti blokeerida ja siis ei ole võimalik seadet enam välja lülitada.

3 Kirjeldus

3.1 Toote ülevaade



3.2 Sihipärane kasutamine

Kirjeldataud seade on käsijuhtimisega akutoitega nakerdaja. Seade on mõeldud stantsitavast materjalist - teras, alumiinium, värviline metall ja plast - toorikute sirgete või kaardus välisservade ja siseväljalõigete nakerdamiseks ja märgistuse järgi nakerdamiseks. Nakerdamisega töötlemine tagab mitteväänduvad lõikeservad. Olenevalt kasutatavast tarvikust on kasutusvõimalusi rohkemgi.

SPN-CN: Tarvik on mõeldud torude lõikamiseks, lainepleki töötlemiseks ja šblooni järgi nakerdamiseks. Tänu õõnsale ümarale stantsile saab nakerdajat töötamise ajal ühel kohal keerata ja töötlemist igas soovitud suunas jätkata.

Lisavarustus: SPN-RN ja SPN-RL: Tarvikutega saab lõigata ka profiiplekki: trapetsplekki, laineplekki, kassettplekki, nurgaprofiile.

- ▶ Kasutage seadmes ainult B 22 tüüpi **Hilti** liitiumioonakusid.
- ▶ Akude laadimiseks kasutage ainult C4/36 seeria **Hilti** laadijaid.

3.3 Tarnekomplekt

Nakerdaja, Torx-võti, kastusjuhend

Tööohutuse tagamiseks kasutage ainult originaalvaruosi ja -materjale. Meie poolt heakskiidetud varuosad, materjalid ja lisatarvikud oma tootele leiata kauplusest **Hilti Store** või veebisaidilt: www.hilti.group



Enne tarnimist on testitud toote toimivust. Seetõttu võib toorik olla jätnud korpuse pinnale väikeseid kriimustusi.



3.4 Temperatuurist sõltuv mootorikaitse

Temperatuurist sõltuv mootorikaitse süsteem kontrollib sisendvoolu ja mootori temperatuuri ning kaitseb seadet ülekuumenemise eest.

Kui mootor on liiga suurest pressimissurve üle koormatud, pärsib see märkimisväärselt seadme jõudlust või põhjustab seadme seiskumist.

Ülekoormusest tingitud seiskumise või pöörete arvu vähenemise korral tuleb pressimissurvet vähendada ja lasta seadmel umbes 30 sekundit tühikäigul töötada.

3.5 Liitium-ioonaku laadimisoleku näit

Liitium-ioonaku laadimisoleku näidu kuvamiseks vajutage ühele akuvabastusnupule.

Seisund	Tähendus
4 LED-i põlevad.	Laadimisoleku näit: 75% kuni 100%
3 LED-i põlevad.	Laadimisoleku näit: 50% kuni 75%
2 LED-i põlevad.	Laadimisoleku näit: 25% kuni 50%
1 LED põleb.	Laadimisoleku näit: 10% kuni 25%
1 LED vilgub.	Laadimisoleku näit: < 10%

Töötamise ajal ja vahetult pärast töö lõppu ei ole võimalik aku laadimisolekut teada saada. Kui laadimisoleku näidiku LED-id vilguvad, tegutses punktis „Tõrkeabi” toodud juhiste järgi.

4 Tehnilised andmed

Nakerdaja tarnekomplekti kuulub seeriaviisiline tarvik SPN-CN. SPN-RN ja SPN-RL saab tellida lisavarustusena.

	SPN-CN	SPN-RN	SPN-RL
Nimipinge	21,6 V	21,6 V	21,6 V
Kaal EPTA Procedure 01 järgi koos akuga B228.0	3,1 kg	3,0 kg	3,3 kg
Tühikäigusagedus	620 p/min ... 1 370 p/min	620 p/min ... 1 370 p/min	620 p/min ... 1 370 p/min
Esimese puurava läbimõõt	17 mm	24 mm	24 mm
Väikseim raadius kaarjate väljalõigetel puhul	4,0 mm	•/•	•/•
Raadius	•/•	50 mm	50 mm
Lõikejälje laius	8,0 mm	5,0 mm	5,0 mm
Lubatud materjalipaksus terasele kuni 400 N/mm²	2,0 mm / 14 Ga	2,0 mm / 14 Ga	2,0 mm / 14 Ga
Lubatud materjalipaksus terasele kuni 600 N/mm²	1,5 mm / 16 Ga	1,5 mm / 16 Ga	1,5 mm / 16 Ga
Lubatud materjalipaksus terasele kuni 800 N/mm²	1,0 mm / 20 Ga	1,0 mm / 20 Ga	1,0 mm / 20 Ga
Lubatud materjalipaksus alumiiniumile kuni 250 N/mm²	2,5 mm / 10 Ga	3,0 mm / 9 Ga	3,0 mm / 9 Ga

4.1 Aku

Aku tööpinge	21,6 V
Ümbritseva keskkonna temperatuur töötamise ajal	-17 °C ... 60 °C
Hoiutemperatuur	-20 °C ... 40 °C
Aku temperatuur laadimise alguses	-10 °C ... 45 °C



4.2 Andmed müra ja vibratsiooni kohta vastavalt standardile EN 62841

Käesolevas juhendis märgitud helirõhu- ja vibratsioonitase on mõõdetud standarditud mõõtemeetodil ja seda saab kasutada elektriliste tööriistade omavaheliseks võrdlemiseks. See sobib ka vibratsiooni- ja mürataseme esialgseks hindamiseks.

Toodud näitajad iseloomustavad elektrilise tööriista põhilisi ettenähtud töid. Kui aga elektrilist tööriista kasutatakse muul otstarbel, teiste tarvikutega või kui tööriista on ebapiisavalt hooldatud, võivad näitajad käesolevas juhendis toodud näitajatest kõrvale kalduda. See võib vibratsiooni- ja mürataset töötamise koguperioodil tunduvalt suurendada.

Ekspositsiooni täpseks hindamiseks tuleb arvesse võtta ka aega, mil seade oli välja lülitatud või küll sisse lülitatud, kuid tegelikult tööle rakendamata. See võib vibratsiooni- ja mürataset töö koguperioodi lõikes tunduvalt vähendada.

Kasutaja kaitseks müra ja/või vibratsiooni eest võtke tarvitusele täiendavaid kaitsemeetmeid, näiteks: hoidke elektrilist tööriista ja tarvikuid korralikult, hoidke käed soojad, tagage sujuv töökorraldus.

Teave müra kohta

A-filtriga korrigeeritud helirõhutase (L_{pA})	91 dB(A)
Helirõhutase mõõtemääramatus (K_{pA})	3 dB(A)
A-filtriga korrigeeritud helivõimsustase (L_{wA})	102 dB(A)
Helivõimsustase mõõtemääramatus (K_{wA})	3 dB(A)

Teave vibratsiooni kohta

	SPN-CN	SPN-RN	SPN-RL
Vibratsiooniväärtus kolmel teljel (a_n)	6,7 m/s ²	7,4 m/s ²	6,2 m/s ²
Mõõtemääramatus (K)	1,5 m/s ²	1,5 m/s ²	1,5 m/s ²

5 Töö ettevalmistamine

ETTEVAATUST

Vigastuste oht soovimatu käivitumise tõttu!

- ▶ Enne aku paigaldamist veenduge, et selle juurde kuuluv seade on välja lülitatud.
- ▶ Enne seadme seadistamist ja tarvikute vahetamist eemaldage seadmest aku.

Järgige kasutusjuhendis esitatud ja tootele märgitud ohutusnõudeid ja hoiatusi.

5.1 Aku laadimine

1. Enne laadimist lugege laadimiseadme kasutusjuhendit.
2. Veenduge, et aku ja laadimiseadme kontaktid on puhtad ja kuivad.
3. Laadige akut selleks ettenähtud laadimiseadmega.

5.2 Aku paigaldamine

ETTEVAATUST

Vigastuste oht lühise või allakukkunud aku tõttu!

- ▶ Enne aku paigaldamist veenduge, et aku ja seadme kontaktidel ei ole võõrkehaseid.
- ▶ Veenduge, et aku fikseerub alati korrektselt kohale.

1. Enne esmalkordset kasutamist laadige aku täiesti täis.
2. Asetage aku seadme hoidikusse, nii et fikseerub kuuldavalt kohale.
3. Kontrollige aku kindlat kinnitumist.

5.3 Aku eemaldamine

1. Vajutage aku vabastusnuppudele.
2. Tõmmake aku seadmest välja.



5.4 Tarvikud 2

Aluspinnaga sobivad tarvikud valige joonise järgi.

Aluspindade selgitus:

- A: Lameplekk
- B: Laineplekk
- C: Trapetsplekk (profiilisügavus kuni max 85 mm)
- D: Trapetsplekk (profiilisügavus kuni max 162 mm)

Tarvikutega SPN-RN ja SPN-RL pleki sisse kuni 1 mm paksuste kraatideta lõigete tegemiseks saab kasutada matriisi P1. Vähene lõikelõtk vähendab kraatide tekkimist.

5.5 Tööriista mahavõtmine 3

1. Keerake lukustuspolt kuue ringiga vastupäeva lahti.
2. Tõmmake tööriist korpuse seest välja.

5.6 Tööriista paigaldamine 4

1. Määrige stantsijuhik sisse.
2. Riputage stants tõukuri soone sisse.
3. Seadistage lõikesuund suunaga ette.
4. Pistke tööriist ettepoole suunatud lõikesuunaga korpusesse.
5. Positioneerige seejärel tööriist soovitud lõikesuunas.
6. Kruvige lukustuspolt päripäeva kinni ja keerake see käsitsi kinni.
 - ▶ Korpuse ja matriitsikanduri vahele ei tohi jääda pilu.

5.7 Lõikesuuna seadistamine 5

Vajadusel saab muuta lõikesuunda paremale või vasakule 45°-lõigetena.

See võimaldab profiilplekki lihtsamalt töödelda ja seadistada nakerdajat parema- või vasakukäelise kasutaja jaoks.

1. Keerake kolm lukustuspolti kolme keeramisringiga vastupäeva lahti, kuni need on lahti.
2. Tõmmake tööriist korpusest veidi välja ja keerake see soovitud suunas.
 - ▶ Seda saab lukustada kaheksasse asendisse.
3. Lükake tööriist tagasi korpusesse soovitud lukustusasendis.
4. Kruvige lukustuspolt päripäeva kinni ja seejärel keerake käsitsi kinni.
 - ▶ Korpuse ja matriitsikanduri vahele ei tohi jääda pilu.

5.8 Käigusageduse seadmine

- ▶ Seadistage pöörete arv pöördearvu seaderattast.

6 Käsitsemine

Järgige kasutusjuhendis esitatud ja tootele märgitud ohutusnõudeid ja hoiatusi.

6.1 Sisselülitamine

1. Vajutage sisse-välja-lüliti tagumist osa.
2. Lükake sisse-välja-lüliti suunaga ette.
 - ▶ Mootor töötab.
3. Lukustage sisse-välja-lüliti.

6.2 Lõikamine 5



HOIATUS

Ettevaatust! Nüriidest tööriistadest tingitud nakerdaja ülekoormus!

- ▶ Kontrollige regulaarselt stantsi kulumise suhtes. Nakerdaja säätmiseks vahetage stants õigeaegselt välja.



1. Määrige lõikejalg õliga, et suurendada auguraua eluiga ja saavutada parem lõikamistulemus.
2. Lülitage seade sisse. → Lehekülg 66
3. Kui seade töötab täispööratel, siis juhtige plekinakerdaja tooriku äärde.
 - ▶ Siselõigete puhul tehke kõigepealt tööriistaga sobiv esmane puurava.
4. Töödelge soovitud lõikejoont.
5. Kui olete lõikamise lõpetanud, siis lülitage seade välja. Kui lõikejalg lõppeb tooriku sees, siis tõmmake sisselülitatud seade esmalt mõni millimeeter lõikejoone sees tagasi, enne kui seadme välja lülitate.



Ärge asetage nakerdajat laastude sisse, enne kui see pole lõplikult seiskunud. Mootor võib laastud sisse tõmmata.

6.3 Šablooniga lõikamine

Valik: SPN-CN

Šablooniga lõikamisele kehtivad järgmised nõuded:

- Šabloon peab olema 5-7 mm paks.
- Šablooni kontuuri ja lõikekontuuri kaugus peab olema 2,5 mm.
- Pidage kinni miinimumraadiusest 4 mm. Šablooni miinimumraadius on vastavalt 6,5 mm.
- Nakerdajat tuleb juhtida selliselt, et stantsijuhiku välisserv asetseb alati šablooni peal.

6.4 Väljalülitamine

- ▶ Vajutage sisse-välja-lüliti tagumist osa.
 - ▶ Sisse-välja-lüliti hüppab välja-asendisse ja mootor seiskub.

7 Lisavarustuse tarvikud

7.1 Laastukoti monteerimine

Valik: SPN-CN

Et laastud ei lendaks igas suunas laiali, saab laastude kogumiseks kinnitada seadme külge laastukoti.

1. Suruge laastukoti mõlemad vedruotsad kokku.
2. Paigutage vedru matriitsi alumise otsa ümber ning laske vedruotsad lahti.
3. Kontrollige laastukoti ja vedru õiget ja tugevat istu.

8 Hooldus ja korrashoid

HOIATUS

Vigastuste oht paigaldatud aku korral !

- ▶ Enne mis tahes hooldus- ja korrashoiutöid eemaldage seadmest aku!

Seadme hooldus

- Eemaldage ettevaatlikult tugevalt kinnitunud mustus.
- Eemaldage tolmufilter, puhastage tolmufilter ja ventilatsioonivad ettevaatlikult kuiva harjaga.
- Puhastage korpust kergelt niiske lapiga. Ärge kasutage silikoonisaldusega hooldusvahendeid, sest need võivad kahjustada seadme plastdetaile.

Liitium-ioonakude hooldus

- Hoidke aku puhas, õli- ja rasvavaba.
- Puhastage korpust kergelt niiske lapiga. Ärge kasutage silikoonisaldusega hooldusvahendeid, sest need võivad kahjustada seadme plastdetaile.
- Vältige vedeliku sissetungimist.

Korrashoid

- Kontrollige regulaarselt nähtavate osade ja juhtelementide laitmatut töökorda.
- Kahjustuste ja/või tõrgete korral ei tohi seadet kasutada. Laske tööriist kohe **Hilti** teeninduskeskuses parandada.
- Pärast hooldus- ja remonttöid paigaldage kõik kaitseseadised ja kontrollige nende töökorda.



2253588

Eesti

67

i Tööohutuse tagamiseks kasutage ainult originaalvaruosi ja -materjale. Teie tootega sobivad ja meie poolt heakskiidetud varuosad, materjalid ja tarvikud leiате kauplusest **Hilti Store** või veebilehelt: www.hilti.group.

8.1 Stantsi vahetamine

i Iga kord, kui vahetate stantsi, siis kontrollige matriitsi, stantsijuhikut ja kulumisplaati (mitte SPN-CN) kulumise suhtes ja vahetage need koos välja.

1. Võtke tööriist maha. → Lehekülg 66
2. Võtke kahjustunud stants tööriistast välja.
3. Määrige tööriista sees uus stants ja stantsijuhik.
4. Kui järgmine varustus on olemas, tehke lisaks see toiming:

Valik: SPN-RL

- ▶ Paigaldage tõukuri ja stantsi vaheline tõukuripikendus ja määrige need.

5. Paigaldage tööriist. → Lehekülg 66

8.2 Matriitside vahetamine

Valik: SPN-CN

1. Lükake katterõngas soone seest üles.
2. Vajutage silindritihvt sobiva torni abil välja.
3. Tõmmake matriits kandevarda küljest ära.
4. Paigaldage kandevarda külge uus matriits.
5. Paigaldage silindri tihvt tagasi külge.
6. Lükake katterõngas alla soone sisse ja kontrollige selle õiget istu.

8.3 Stantsijuhiku vahetamine

Valik: SPN-CN



ETTEVAATUST

Vigastuste oht toode ja lõiketarvikute tõttu!

- ▶ Enne kinnituskruidide paigaldamist puhastage keere.
- ▶ Kasutage alati komplekti kuuluvaid kinnituskruidi ja järgige seejuures toodud pingutuspöördemomenti.

1. Eemaldage matriits. → Lehekülg 68
2. Eemaldage kinnituskruidid.
3. Võtke stantsijuhik maha.
4. Paigaldage uus stantsijuhik.
5. Keerake kinnituskruidid etteantud pöördemomendiga kinni.

Tehnilised andmed

Pingutusmoment

3 Nm

6. Paigaldage matriits uuesti.



8.4 Matriitsi, stantsijuhiku ja kulumisplaadi vahetamine 11, 12

Valik: SPN-RN
VÕI SPN-RL

ETTEVAATUST

Vigastuste oht toode ja löiketarvikute tõttu!

- ▶ Enne kinnituskruvide paigaldamist puhastage keere.
- ▶ Kasutage alati komplekti kuuluvaid kinnituskruve ja järgige seejuures toodud pingutuspöördemomenti.

1. Eemaldage kinnituskruvid.
2. Eemaldage stantsijuhik ja matriits.
3. Kontrollige kulumisplaati kulumisjälgede suhtes.

Tulemus

Kui esineb selgeid kulumisjälgi, siis:

- ▶ Võtke kulumisplaat maha ja asendage uuega.
4. Puhastage kontaktpinnad matriitsilaagri juurest.
 5. Tsentreerige stantsijuhik ja matriits varda abil.
 6. Keerake kinnituskruvid käega kinni.
 7. Määrige stantsijuhiku juhtpinnad.
 8. Pingutage kinnituskruvisid ristamisi ettenähtud pingutusmomendiga.

Tehnilised andmed

Pingutusmoment	3 Nm
----------------	------

9 Akutööriistade transport ja ladustamine

Transport

ETTEVAATUST

Soovimatu käivitus transportimisel !

- ▶ Transportige tooteid ilma akudeta!
- ▶ Eemaldage akud.
- ▶ Ärge kunagi transportige akusid lahtiselt.
- ▶ Pärast pikemat transporti kontrollige, kas tööriist või akud on saanud vigastusi.

Ladustamine

ETTEVAATUST

Defektsed akud või lekkivad akud võivad tekitada vigastusi !

- ▶ Kasutusvälisel ajal eemaldage seadmest aku!
- ▶ Hoidke seadet ja akusid võimalikult jahedas ja kuivas kohas.
- ▶ Ärge hoidke akusid kunagi päikese käes, küttekeha peal ega aknalual.
- ▶ Hoidke seadet ja akusid lastele ja kõrvalistele isikutele ligipääsmatus kohas.
- ▶ Pärast pikemaajalist ladustamist kontrollige, kas tööriist või akud on saanud vigastusi.

10 Abi tõrgete puhul

Kui peaks esinema tõrge, mida ei ole järgmises tabelis nimetatud või mida Te ei suuda ise kõrvaldada, pöörduge **Hilti** hooldekeskusse.

10.1 Veaoitsing

Tõrge	Võimalik põhjus	Lahendus
Aku tühjeneb tavalisest kiiremini.	Väga madal ümbrustempertuur.	▶ Laske akul soojeneda aeglaselt toatemperatuurile.
Aku ei fikseeru kuuldava klõpsatusega.	Aku lukustusnukid on määrdunud.	▶ Puhastage lukustusnukid ja paigaldage aku uuesti.



Tõrge	Võimalik põhjus	Lahendus
1 LED vilgub. Seade ei tööta.	Aku on tühi.	▶ Vahetage aku välja ja laadige tühi aku täis.
	Aku on liiga kuum või liiga külm.	▶ Laske akul aeglaselt ruumitemperatuurile soojeneda või jahtuda.
Kõik 4 LED-tuld vilguvad. Seade ei tööta.	Seade on ülekoormatud.	▶ Vabastage juhtlüliti ja vajutage seda uuesti. Seejärel laske seadmel ca 30 sekundit tühikäigul töötada.
Seade või aku lähevad väga kuumaks.	Elektriline rike	▶ Lülitage seade kohe välja, eemaldage aku, jälgige seda, laske akul jahtuda ja võtke ühendust Hilti hooldekeskusega.
Seade ei tööta täisvõimsusel.	Paigaldatud on liiga väikese mahutuvusega aku.	▶ Kasutage piisava mahutuvusega akut.
Lõikejõudlus väheneb	Stants rebenenud	▶ Vahetage stants. → Lehekülg 68
Mootori pidurdusfunktsioon ei toimi.	Aku on tühi.	▶ Vahetage aku välja ja laadige tühi aku täis.
	Tööriist on lühiajaliselt ülekoormatud.	▶ Lülitage seade välja ja uuesti sisse.

11 Utiliseerimine

Hilti seadmed on suures osas valmistatud taaskasutatavatest materjalidest. Taaskasutuse eelduseks on materjalide korralik sorteerimine. Paljudes riikides kogub **Hilti** kasutusressursi ammendanud seadmed kokku. Lisateavet saate **Hilti** müügiesindusest.

Akude utiliseerimine

Asjatundmatu käitlemise korral võib akudest eralduda terviseohtlikke gaase või vedelikke.

- ▶ Ärge saatke kahjustada saanud akusid posti teel!
- ▶ Lühise vältimiseks katke akukontaktid elektrit mittejuhtiva materjaliga.
- ▶ Käideldge akusid nii, et need ei satu laste kätte.
- ▶ Utiliseerige aku **Hilti Store** esinduses või pöörduge asjaomase jäätmekäitlusettevõtte poole.



- ▶ Ärge visake kasutusressursi ammendanud elektrilisi tööriistu, elektroonikaseadmeid ja akusid olmejäätmete hulka!

12 RoHS (direktiiv ohtlike ainete kasutamise piirangute kohta)

Järgmiselt lingilt leiate ohtlike ainete tabeli: qr.hilti.com/r10695220.

RoHS-tabeli juurde viiva lingi leiate käesoleva dokumendi lõpust QR-koodina.

13 Tootja garantii

- ▶ Kui Teil on küsimusi garantiitingimuste kohta, pöörduge **Hilti** müügiesindusse.

Originaal lietošanas instrukcija

1 Informācija par dokumentāciju

1.1 Par šo dokumentāciju

- Pirms ekspluatācijas sākšanas obligāti izlasiet šo dokumentāciju. Tas ir priekšnoteikums darba drošībai un izstrādājuma lietošanai bez traucējumiem.
- Ievērojiet drošības norādījumus un brīdinājumus, kas atrodami šajā dokumentācijā un uz izstrādājuma.



- Vienmēr glabājiēt lietošanas instrukciju izstrādājuma tuvumā un nododiet to kopā ar izstrādājumu, ja tas tiek nodots citām personām.

1.2 Apzīmējumu skaidrojums

1.2.1 Brīdinājumi

Brīdinājumi pievērš uzmanību bīstamībai, kas pastāv, strādājot ar izstrādājumu. Tiek lietoti šādi signālvārdi:

BĪSTAMI!

BĪSTAMI! !

- ▶ Pievērš uzmanību draudošām briesmām, kas var izraisīt smagus miesas bojājumus vai nāvi.

BRĪDINĀJUMS!

BRĪDINĀJUMS! !

- ▶ Pievērš uzmanību iespējamam apdraudējumam, kas var izraisīt smagas traumas vai pat nāvi.

IEVĒROT PIESARDZĪBU!

UZMANĪBU! !

- ▶ Norāda uz iespējami bīstamām situācijām, kas var izraisīt traumas vai materiālos zaudējumus.

1.2.2 Dokumentācijā lietotie simboli

Šajā dokumentācijā tiek lietoti šādi simboli:

	Pirms lietošanas izlasiet instrukciju
	Norādījumi par lietošanu un cita noderīga informācija
	Rīcība ar otrreiz pārstrādājamiem materiāliem
	Neizmetiet elektroiekārtas un akumulatorus sadzīves atkritumos.

1.2.3 Attēlos lietotie simboli

Attēlos tiek lietoti šādi simboli:

	Šie skaitļi norāda uz attiecīgajiem attēliem, kas atrodami šīs instrukcijas sākumā.
3	Numerācija attēlos atbilst veicamo darbību secībai un var atšķirties no darbību apraksta tekstā.
	Pozīciju numuri tiek lietoti attēlā Pārskats un norāda uz leģendas numuriem sadaļā Izstrādājuma pārskats .
	Šī simbola uzdevums ir pievērst īpašu uzmanību izstrādājuma lietošanas laikā.

1.3 Simboli atkarībā no izstrādājuma

1.3.1 Simboli uz izstrādājuma

Uz izstrādājuma var tikt lietoti šādi simboli:

	Iekārta atbalsta tehnoloģiju NFC, kas ir saderīga ar iOS un Android platformām.
	Lietojamā Hilti litiņa jonu akumulatoru sērija. Ņemiet vērā informāciju, kas iekļauta nodaļā Nosacījumiem atbilstīga lietošana .
	Nekādā gadījumā nelietojiet akumulatoru kā triecieninstrumentu.
	Sargājiēt akumulatoru no kritieniem. Nelietojiet akumulatoru, ja tas ir bijis pakļauts triecienam vai tam ir radušies cita veida bojājumi.



	Litija jonu akumulators
	Līdzstrāva
	Lietojiet aizsargbrilles

1.4 Izstrādājuma informācija

izstrādājumi ir paredzēti profesionāliem lietotājiem, un to darbināšanu, apkopi un tehniskā stāvokļa uzturēšanu drīkst veikt tikai kvalificēts, atbilstīgi apmācīts personāls. Personālam ir jābūt labi informētam par iespējamajiem riskiem, kas var rasties darba laikā. Izstrādājums un tā papildaprīkojums var radīt bīstamas situācijas, ja to uztic neprofesionālam personālam vai nelieto atbilstīgi nosacījumiem. Iekārtas tipa apzīmējums un sērijas numurs ir norādīti uz identifikācijas datu plāksnītes.

- ▶ Ierakstiet sērijas numuru zemāk redzamajā tabulā. Izstrādājuma dati jānorāda, vērsoties mūsu pārstāvēniecībā vai servisā.

Izstrādājuma dati

Cirtējšķēres	SPN 6-A22
Paaudze:	01
Sērijas Nr.:	

1.5 Atbilstības deklarācija

Uzņemoties pilnu atbildību, mēs apliecinām, ka šeit aprakstītais izstrādājums atbilst šādām direktīvām un standartiem: Atbilstības deklarācijas attēls ir atrodams šīs dokumentācijas beigās.

Tehniskā dokumentācija ir saglabāta šeit:

Hilti Entwicklungsgesellschaft mbH | Zulassung Geräte | Hiltistraße 6 | 86916 Kaufering, DE

2 Drošība

2.1 Vispārīgi drošības norādījumi par darbu ar elektroiekārtām

⚠ BRĪDINĀJUMS! Iepazīstieties ar visiem drošības norādījumiem, instrukcijām, attēliem un tehniskajiem parametriem, kas attiecas uz šo elektroiekārtu. Turpmāk izklāstīto instrukciju neievērošana var izraisīt elektrošoku, ugunsgrēku un/vai nopietnas traumas.

Saglabājiet visus drošības norādījumus un instrukcijas turpmākai lietošanai.

Drošības norādījumos lietotais apzīmējums "elektroiekārta" attiecas uz iekārtām ar tīkla barošanu (ar barošanas kabeli) vai iekārtām ar barošanu no akumulatora (bez kabeļa).

Drošība darba vietā

- ▶ **Uzturiet darba vietā tīrību un kārtību un nodrošiniet labu apgaismojumu.** Nekārtīgā darba vietā vai sliktā apgaismojumā var viegli notikt nelaimes gadījums.
- ▶ **Nestrādājiet ar elektroiekārtu sprādzienbīstamā vidē, kur atrodas uzliesmojoši šķidrums, gāzes vai putekļi.** Darbības laikā elektroiekārtas mēdz dzirksteļot, un tas var izraisīt viegli uzliesmojošu putekļu vai tvaiku aizdegšanos.
- ▶ **Lietojot elektroiekārtu, neļaujiet nepiederošām personām un jo īpaši bērniem tuvoties darba vietai.** Citu personu klātbūtne var novērst uzmanību, un tā rezultātā jūs varat zaudēt kontroli pār iekārtu.

Elektrodrošība

- ▶ **Elektroiekārtas kontaktdakšai jāatbilst elektrotīkla kontaktligzdai. Kontaktdakšas konstrukciju nedrīkst nekādā veidā mainīt. Kopā ar elektroiekārtām, kurām ir aizsargzemējums, nedrīkst lietot adapteru spraudņus.** Neizmainītas konstrukcijas kontaktdakša, kas atbilst kontaktligzdai, ļauj samazināt elektrošoka risku.
- ▶ **Darba laikā nepieskarieties saņemtiem priekšmetiem, piemēram, caurulēm, radiatoriem, plītiem vai ledusskapjiem.** Pieskaroties saņemtiem virsmām, pieaug risks saņemt elektrisko triecienu.
- ▶ **Nelietojiet elektroiekārtu lietus laikā, neturiet to mitrumā.** Mitrumam iekļūstot elektroiekārtā, pieaug risks saņemt elektrisko triecienu.
- ▶ **Nenesiet un nepakariniet elektroiekārtu aiz barošanas kabeļa un neraujiet aiz kabeļa, ja vēlaties atvienot iekārtu no elektrotīkla kontaktligzdas. Sargājiet barošanas kabeli no karstuma, eļļas, asām šķautnēm vai kustīgām detaļām.** Bojāts vai sapīķerējis barošanas kabelis var kļūt par cēloni elektrošokam.



- ▶ **Darbinot elektroiekārtu ārpus telpām, izmantojiet tās pievienošanai vienīgi tādus pagarinātāja-ka-beļus, kas ir paredzēti lietošanai brīvā dabā.** Lietojot elektrokabeļi, kas ir piemērots darbam ārpus telpām, samazinās elektrošoka risks.
- ▶ **Ja elektroiekārtas izmantošana slāpā vidē ir obligāti nepieciešama, lietojiet bojājumstrāvas aizsargslēdzi.** Bojājumstrāvas aizsargslēdža lietošana samazina elektrošoka risku.

Personiskā drošība

- ▶ **Strādājiet ar elektroiekārtu uzmanīgi, darba laikā saglabājiet paškontroli un rīkojieties saskaņā ar veselo saprātu. Ar elektroiekārtu nedrīkst strādāt personas, kas ir nogurušas vai atrodas narkotiku, alkohola vai medikamentu ietekmē.** Mirkļis neuzmanības, strādājot ar elektroiekārtu, var novest pie nopietnām traumām.
- ▶ **Izmantojiet individuālos aizsardzības līdzekļus un darba laikā vienmēr valkājiet aizsargbrilles.** Individuālo aizsardzības līdzekļu (putekļu aizsargmaskas, neslidošu apavu un aizsargķiveres vai ausu aizsargu) lietošana atbilstoši elektroiekārtas tipam un veicamā darba raksturam ļauj izvairīties no savainojumiem.
- ▶ **Nepieļaujiet iekārtas nekontrolētas ieslēgšanās iespēju. Pirms pievienošanas elektrotīklam, akumulatora ievietošanas, elektroiekārtas satveršanas vai pārvietošanas pārliecinieties, ka tā ir izslēgta.** Ja iekārtas pārvietošanas laikā pirksts atrodas uz slēdža vai ja ieslēgta iekārta tiek pievienota elektrotīklam, var notikt nelaimes gadījums.
- ▶ **Pirms elektroiekārtas ieslēgšanas jānoņem visi regulēšanas piederumi un uzgriežņu atslēgas.** Regulēšanas piederumi vai uzgriežņu atslēga, kas iekārtas ieslēgšanas brīdī atrodas iekārtā, var radīt traumas.
- ▶ **Izvairieties no nedabiskām pozām. Darba laikā vienmēr saglabājiet līdzsvaru un nodrošinieties pret paslīdēšanu.** Tas atvieglo elektroiekārtas vadību neparedzētās situācijās.
- ▶ **Izvēlieties darbam piemērotu apģērbu. Darba laikā nenēsājiet brīvi plandošas drēbes un rotaslietas. Netuviniet matus, apģērbu un aizsargcimdus iekārtas kustīgajām daļām.** Vaļīgas drēbes, rotaslietas un gari mati var ieķerties iekārtas kustīgajās daļās.
- ▶ **Ja elektroiekārtas konstrukcija ļauj pievienot putekļu nosūcšanas vai savākšanas ierīci, sekojiet, lai tā būtu pievienota un tiktu darbināta pareizi.** Putekļu nosūcēja lietošana samazina putekļu kaitīgo ietekmi.
- ▶ **Nezaudējiet modrību un neatkāpieties no elektroiekārtu lietošanas drošības noteikumu ievērošanas arī tad, ja lietojat attiecīgo elektroiekārtu bieži un kārtīgi to pārzināt.** Neuzmanība vienā sekundes daļā var novest pie smagām traumām.

Elektroiekārtas lietošana un apkope

- ▶ **Nepārslogojiet elektroiekārtu. Katram darbam izvēlieties piemērotu iekārtu.** Elektroiekārta darbosies labāk un drošāk pie nominālās slodzes.
- ▶ **Nelietojiet elektroiekārtu, ja ir bojāts tās slēdzis.** Elektroiekārta, ko nevar ieslēgt un izslēgt, ir bīstama un nekavējoties jānodod remontā.
- ▶ **Pirms iestatījumu veikšanas, aprikojuma daļu nomaiņas vai iekārtas novietošanas uzglabāšanā atvienojiet kontaktdakšu no elektrotīkla un/vai noņemiet noņemamo akumulatoru.** Šādi jūs novērsīsiet elektroiekārtas nejausās ieslēgšanās risku.
- ▶ **Elektroiekārtu, kas netiek darbināta, uzglabājiet piemērotā vietā. Neļaujiet lietot iekārtu personām, kas nav iepazinušās ar tās funkcijām un izlasījušas šo lietošanas instrukciju.** Ja elektroiekārtu lieto nekompetentas personas, tas var apdraudēt cilvēku veselību.
- ▶ **Rūpīgi veiciet elektroiekārtu un to piederumu apkopi. Pārbaudiet, vai kustīgās daļas darbojas bez traucējumiem un neķeras un vai kāda no daļām nav salauzta vai bojāta un tādējādi netraucē elektroiekārtas nevainojamu darbību. Rauģieties, lai pirms iekārtas lietošanas tiktu nomainītas vai saremontētas bojātās daļas.** Daudzi nelaimes gadījumi notiek tāpēc, ka elektroiekārtām nav nodrošināta pareiza apkope.
- ▶ **Griezējinstrumentiem vienmēr jābūt uzasinātiem un tīriem.** Rūpīgi kopti griezējinstrumenti ar asām šķautnēm retāk iestrēgst un ir vieglāk vadāmi.
- ▶ **Lietojiet elektroiekārtu, piederumus, maināmos instrumentus utt. saskaņā ar šiem norādījumiem. Jāņem vērā arī konkrētie darba apstākļi un veicamās operācijas īpatnības.** Elektroiekārtu lietošana citiem mērķiem, nekā to ir paredzējusi ražotājfirma, ir bīstama un var izraisīt neparedzamas sekas.
- ▶ **Raugieties, lai rokturu un satveršanas virsmas būtu sausas, tīras, nenotraipītas ar eļļu un smērvielām.** Ja rokturu vai satveršanas virsmas ir slidenas, nav iespējama droša elektroiekārtas vadība un kontrole neparedzamās situācijās.

Ar akumulatoru darbināmas iekārtas lietošana un apkope

- ▶ **Akumulatora uzlādei jālieto tikai ražotāja ieteiktie lādētāji.** Noteikta veida akumulatoriem paredzēts lādētājs kļūst ugunsbīstams, ja to izmanto ar cita veida akumulatoriem.



- ▶ **Izmantojiet elektroiekārtas barošanai tikai tai paredzētos akumulatorus.** Cita tipa akumulatoru lietošana var izraisīt iekārtas un/vai akumulatora aizdegšanos.
- ▶ **Laikā, kad akumulators ir atvienots no iekārtas, nepieļaujiet tā kontaktu saskaršanos ar saspraudēm, monētām, atslēgām, naglām, skrūvēm vai citiem nelieliem metāla priekšmetiem, kas varētu izraisīt īssavienojumu.** Ja starp akumulatora kontaktiem rodas īssavienojums, tas var sadegt vai kļūt par ugunsgrēka cēloni.
- ▶ **Nepareizi lietojot akumulatoru, no tā var izplūst šķidrums. Nepieļaujiet tā nokļūšanu uz ādas. Ja tas tomēr nejausi ir noticis, noskalojiet ar ūdeni. Ja šķidrums iekļūst acīs, izskalojiet acis un nekavējoties vērsieties pie ārsta.** No akumulatora izplūdušais šķidrums var izraisīt ādas kairinājumu vai apdegumus.
- ▶ **Nelietojiet bojātus vai modificētus akumulatorus.** Bojāti vai modificēti akumulatori var radīt neparedzamas situācijas un izraisīt ugunsgrēku, eksploziju vai traumas.
- ▶ **Nepakļaujiet akumulatoru uguns vai augstas temperatūras iedarbībai.** Uguns vai temperatūra virs 130 °C (265 °F) var izraisīt eksploziju.
- ▶ **Ievērojiet norādījumus par akumulatora lādēšanu un nekad nelādējiet akumulatoru vai ar akumulatoru darbināmo iekārtu ārpus lietošanas instrukcijā norādītā temperatūras diapazona.** Nepareiza lādēšana vai pieļaujamā temperatūras diapazona pārsniegšana var sabojāt akumulatoru un palielināt aizdegšanās risku.

Serviss

- ▶ **Uzdodiet elektroiekārtas remontu veikt tikai kvalificētam personālam, kas izmanto vienīgi oriģinālās rezerves daļas.** Tikai tā ir iespējams saglabāt iekārtas funkcionālo drošību.
- ▶ **Nekādā gadījumā neveiciet bojātu akumulatoru apkopi.** Jebkādus akumulatoru apkopes darbus drīkst veikt tikai ražotājs vai atbilstīgi pilnvarots klientu apkalpošanas dienests.

2.2 Akumulatoru pareiza lietošana un apkope

- ▶ Ievērojiet īpašos norādījumus par litija jonu akumulatoru transportēšanu, uzglabāšanu un ekspluatāciju.
- ▶ Sargājiet akumulatorus no augstas temperatūras, tiešiem saules stariem un uguns.
- ▶ Akumulatorus nedrīkst izjaukt, saspīest, sakarsēt virs 80 °C vai sadedzināt.
- ▶ Nemēģiniet izmantot vai uzlādēt akumulatorus, kas bijuši pakļauti triecienam, krituši no vairāk nekā viena metra augstuma vai ir citā veidā bojāti. Šādā gadījumā vienmēr vērsieties savā **Hilti servisā**.
- ▶ Ja akumulators kļūst pārāk karsts, iespējams, ka tas ir bojāts. Novietojiet akumulatoru labi pārdzīvētā, ugunsdrošā vietā, pietiekamā atstumā no degošiem materiāliem. Ļaujiet akumulatoram atdzist. Ja pēc stundas akumulators joprojām ir tik karsts, ka to ir grūti satvert, tas nozīmē, ka tas ir bojāts. Vērsieties **Hilti servisā**.

2.3 Papildnorādījumi par drošību

Personiskā drošība

- ▶ Strādājot ar izstrādājumu, valkājiet aizsargcimdus. Darba instruments lietošanas laikā sakarst, radot apdegumu risku. Griezuma malas un metāla skaidas ir asas un var izraisīt traumas.
- ▶ Strādājiet ar pārtraukumiem, kā arī veiciet atslābināšanu un pirkstu vingrinājumus, kas uzlabo asinsriti.
- ▶ Lietojiet dzirdes aizsargaprīkojumu. Trokšņa iedarbība var radīt dzirdes zudumu.
- ▶ Nelietojiet šo izstrādājumu darbiem virs galvas augstuma.

Elektrodrošība

- ▶ Ja bieži tiek apstrādāti elektrību vadoši materiāli, ar tiem piesārņotās iekārtas regulāri jānodod pārbaudīšanai Hilti servisa darbiniekiem. Uz iekārtas ārējās virsmas esošie putekļi, kas ir uzkrājušies galvenokārt no vadītspējīgiem materiāliem, vai mitrums nelabvēlīgos apstākļos var izraisīt elektrisko triecienu.
- ▶ Regulāri iztīriet elektroiekārtas ventilācijas atveres. Motora ventilators ierauj putekļus iekārtas korpusā, tādēļ pastiprināta metāla putekļu uzkrāšanās var mazināt iekārtas elektrodrošību.
- ▶ Piemēram, ar metāla detektora palīdzību, pirms darba sākšanas pārbaudiet, vai zem apstrādājamās virsmas neatrodas apslēpti elektriskie vadi, gāzes vai ūdens caurules. Iekārtas ārējās metāla daļas var būt zem sprieguma, ja, piemēram, laikā nejausi tiek bojāts elektriskais vads.
- ▶ Negrieziet priekšmetus, kas var būt zem sprieguma.

Drošība darba vietā

- ▶ Turiet darba vietu tīru. Metāla skaidas ir asas un var saskrāpēt grīdu.

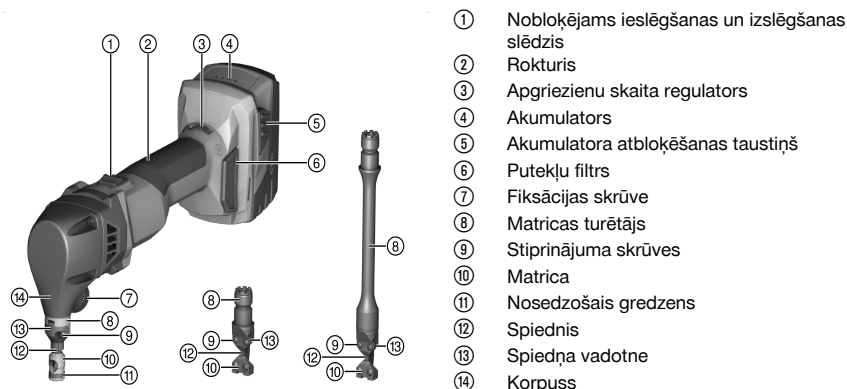


Rūpīga elektroiekārtu lietošana un apkope

- ▶ Raugieties, lai izstrādājums būtu attīrīts no skaidām un netīrumiem. Raugieties, lai darba laikā skaidas nenonāk ieslēgšanas / izslēgšanas slēdža zonā. Skaidas var nobloķēt ieslēgšanas / izslēgšanas slēdzi, kā rezultātā izstrādājumu vairs nevarēs izslēgt.

3 Apraksts

3.1 Izstrādājuma pārskats 1



3.2 Nosacījumiem atbilstīga lietošana

Aprakstītais izstrādājums ir manuāli vadāmas cirtējšķēres ar akumulatora barošanu. Tās ir paredzētas štancējama tērauda, alumīnija, krāsaino metālu un plastmasas plākšņu griešanai, taisnu un liektu ārmalu apgriešanai un izgriezumu veidošanai, kā arī griešanai pēc iešķelšanas. Izmantojot cirtējšķēres, tiek iegūtas griezuma malas bez vērpes deformācijas. Atkarībā no izmantotā darba instrumenta ir iespējami arī papildu lietojuma veidi.

SPN-CN: Šis darba instruments papildus ir paredzēts cauruļu pārgriešanai, kā arī cirstu griezumu izdarišanai, izmantojot šablonu. Pateicoties dobjam, apaļajam spiednim, cirtējšķēres darba laikā var tikt uz vietas pagrieztas, lai turpinātu darbu jebkāda virzienā.

Opcija: SPN-RN un SPN-RL: Šie darba instrumenti papildus ir paredzēti skārda profilu, piemēram, trapeceveida skārda, viļņotā skārda, kasešu skārda un leņķa profilu, griešanai.

- ▶ Lietojiet šī izstrādājuma barošanai tikai sērijas B 22 **Hilti** litija jonu akumulatorus.
- ▶ Lietojiet šo akumulatoru uzlādēšanai tikai sērijas C4/36 **Hilti** lādētājus.

3.3 Piegādes komplektācija

Cirtējšķēres, Torx atslēga, lietošanas instrukcija

Lai iekārtas lietošana būtu droša, izmantojiet tikai oriģinālās rezerves daļas un patēriņa materiālus. Rezerves daļas un patēriņa materiālus, kuru lietošanu kopā ar šo iekārtu mēs akceptējam, var atrast **Hilti Store** vai tiešsaistē www.hilti.group.

i Pirms izstrādājuma piegādes ir pārbaudītas tā funkcijas. Tādēļ korpusa virsmā var būt nelieli skrāpējumi, ko pārbaudes laikā ir radījis apstrādājamais materiāls.

3.4 Iekārtas termiskā aizsardzība

Motora termiskās aizsardzības sistēma kontrolē ieejas strāvu un motora sasilšanas procesu, tādējādi pasargājot iekārtu no pārkaršanas.

Ja pārāk liela piespiešanas spēka rezultātā notiek motora pārslodze, motora jauda ievērojami samazinās vai iekārtas darbība apstājas pavisam.

Ja pārslodzes dēļ apstājas iekārtas darbība vai samazinās apgriezienu skaits, iekārta jāatbrīvo no slodzes un aptuveni 30 sekundes jādarbina tukšgaitā.



3.5 Litija jonu akumulatora uzlādes līmeņa indikācija

Litija jonu akumulatora uzlādes līmeni iespējams apskatīties, īsi nospiežot vienu no akumulatora atbloķēšanas taustiņiem.

Statuss	Nozīme
4 LED deg.	Uzlādes līmenis: no 75 % līdz 100 %
3 LED deg.	Uzlādes līmenis: no 50 % līdz 75 %
2 LED deg.	Uzlādes līmenis: no 25 % līdz 50 %
1 LED deg.	Uzlādes līmenis: no 10 % līdz 25 %
1 LED mirgo.	Uzlādes līmenis: < 10 %

i Darba laikā un uzreiz pēc tā pabeigšanas uzlādes līmeņa nolasišana nav iespējama. Ja mirgo akumulatora uzlādes līmeņa indikācijas LED, lūdzu, sekojiet nodaļas "Traucējumu diagnostika" norādījumiem.

4 Tehniskie parametri

Cirtējšķēres sērijevada komplektācijā tiek piegādātas kopā ar darba instrumentu SPN-CN. SPN-RN un SPN-RL ir pēc izvēles pieejams papildaprīkojums.

	SPN-CN	SPN-RN	SPN-RL
Nominālais spriegums	21,6 V	21,6 V	21,6 V
Svars saskaņā ar EPTA Procedure 01, ar akumulatoru B228.0	3,1 kg	3,0 kg	3,3 kg
Gājienu skaits tukšgaitā	620 apgr./min ... 1 370 apgr./min	620 apgr./min ... 1 370 apgr./min	620 apgr./min ... 1 370 apgr./min
Sākuma atveres diametrs	17 mm	24 mm	24 mm
Mazākais liektu izgriezumu rādiuss	4,0 mm	•/•	•/•
Rādiuss	•/•	50 mm	50 mm
Griezuma līnijas platums	8,0 mm	5,0 mm	5,0 mm
Pieļaujamais materiāla biezums tēraudam līdz 400 N/mm²	2,0 mm / 14 Ga	2,0 mm / 14 Ga	2,0 mm / 14 Ga
Pieļaujamais materiāla biezums tēraudam līdz 600 N/mm²	1,5 mm / 16 Ga	1,5 mm / 16 Ga	1,5 mm / 16 Ga
Pieļaujamais materiāla biezums tēraudam līdz 800 N/mm²	1,0 mm / 20 Ga	1,0 mm / 20 Ga	1,0 mm / 20 Ga
Pieļaujamais materiāla biezums alumīnijam līdz 250 N/mm²	2,5 mm / 10 Ga	3,0 mm / 9 Ga	3,0 mm / 9 Ga

4.1 Akumulators

Akumulatora darba spriegums	21,6 V
Apkārtējā temperatūra darbības laikā	-17 °C ... 60 °C
Uzglabāšanas temperatūra	-20 °C ... 40 °C
Akumulatora temperatūra uzlādes sākumā	-10 °C ... 45 °C

4.2 Informācija par troksni un vibrāciju saskaņā ar EN 62841

Šajās instrukcijās norādītie lielumi, kas raksturo skaņas spiedienu un vibrāciju, ir noteikti ar standartizētas mērījumu metodes palīdzību, un tos var izmantot elektroiekārtu savstarpējai salīdzināšanai. Tos var izmantot arī trokšņa un vibrācijas iedarbības pagaidu novērtējumam.

Norādītie parametri attiecas uz elektroiekārtas galvenajiem lietošanas veidiem. Taču, ja elektroiekārta tiek izmantota citos nolūkos, ar citiem maināmajiem instrumentiem vai netiek nodrošināta pietiekama tās apkope, parametri var atšķirties no norādītajiem. Tas var ievērojami palielināt trokšņa un vibrācijas iedarbību visā darba laikā.



Lai precīzi novērtētu iedarbību, jāņem vērā arī laiks, cik ilgi iekārta ir izslēgta vai ir ieslēgta, taču faktiski netiek darbināta. Tas var būtiski samazināt iedarbību kopējā darba laikā.

Jāparedz papildu drošības pasākumi, lai aizsargātu iekārtas lietotāju pret trokšņa un/vai vibrācijas iedarbību, piemēram, elektroiekārtas un apkope, roku turēšana siltumā, darba procesu organizācija.

Informācija par troksni

Raksturīgais (A) skaņas emisijas līmenis (L_{pA})	91 dB(A)
Skaņas spiediena līmeņa pielāide (K_{pA})	3 dB(A)
Raksturīgais (A) skaņas jaudas līmenis (L_{WA})	102 dB(A)
Skaņas jaudas līmeņa pielāide (K_{WA})	3 dB(A)

Informācija par vibrāciju

	SPN-CN	SPN-RN	SPN-RL
Triaksiālā vibrācijas vērtība (a_h)	6,7 m/s ²	7,4 m/s ²	6,2 m/s ²
Iespējamā kļūda (K)	1,5 m/s ²	1,5 m/s ²	1,5 m/s ²

5 Sagatavošanās darbam

IEVĒROT PIESARDZĪBU!

Traumu risks nejaušas iedarbošanās gadījumā!

- ▶ Pirms akumulatora ievietošanas pārliecinieties, ka attiecīgais izstrādājums ir izslēgts.
- ▶ Pirms iekārtas iestāšanās vai piederumu nomaiņas izņemiet no iekārtas akumulatoru.

Ievērojiet drošības norādījumus un brīdinājumus, kas atrodami šajā dokumentācijā un uz izstrādājuma.

5.1 Akumulatora uzlādēšana

1. Pirms uzlādes sākšanas izlasiet lādētāja lietošanas instrukciju.
2. Raugieties, lai akumulatora un lādētāja kontaktu virsmas ir tīras un sausas.
3. Veiciet akumulatora uzlādi atbilstīgā lādētājā.

5.2 Akumulatora ievietošana

IEVĒROT PIESARDZĪBU!

Traumu risks īssavienojuma vai akumulatora nokrišanas gadījumā!

- ▶ Pirms akumulatora ievietošanas pārliecinieties, ka uz akumulatora un izstrādājuma kontaktiem neatrodas nekādi svešķermeņi.
- ▶ Pārbaudiet, vai akumulators ir droši nofiksēts.

1. Pirms pirmās lietošanas pilnībā uzlādējiet akumulatoru.
2. Ievietojiet akumulatoru iekārtas stiprinājumā, līdz tas dzirdami nofiksējas.
3. Pārbaudiet, vai akumulators ir droši nofiksēts.

5.3 Akumulatora izņemšana

1. Nospiediet akumulatora atbloķēšanas taustiņus.
2. Izvelciet akumulatoru no iekārtas.

5.4 Instrumenti

Atbilstīgo darba instrumenta un materiāla virsmas kombināciju var redzēt attēlā.

Paskaidrojums par materiāla virsmām:

- A: plakans skārds
- B: gofrētais skārds
- C: trapecveida skārds (profila dziļums līdz maks. 85 mm)
- D: trapecveida skārds (profila dziļums līdz maks. 162 mm)

Lai ar instrumentiem SPN-RN un SPN-RL skārdā ar biežumu līdz 1 mm veiktu griezumus bez atskarpēm, var izmantot matricu P1. Samazinātā brīvkuģstība griešanas laikā samazina atskarpes veidošanos.



5.5 Instrumenta demontāža

1. Atlaidiet fiksācijas skrūvi, sešus apgriezienus pagriežot to pretēji pulksteņrādītāja kustības virzienam.
2. Izvelciet instrumentu no korpusa.

5.6 Instrumenta montāža

1. Ieziediet spiedņa vadotni ar smērvielu.
2. Iekariniet spiedni bīdītāja rievā.
3. Iestatiet griešanas virzienu uz priekšu.
4. Ar iestatītu griešanas virzienu uz priekšu iebīdīet instrumentu korpusā.
5. Pēc tam novietojiet instrumentu pozīcijā, kas atbilst nepieciešamajam griešanas virzienam.
6. Ieskrūvējiet fiksācijas skrūvi pulksteņrādītāja kustības virzienā un pievelciet to ar roku.
 - ▶ Starp korpusu un matricas turētāju nedrīkst izveidoties sprauga.

5.7 Griezuma virziena iestatīšana

Ja nepieciešams, griezuma virzienu var mainīt pa labi vai pa kreisi ar 45° soli.

Tas atvieglos skārda profilu apstrādi, kā arī ļaus iestatīt cirtējšķēres vadībai ar labo vai kreiso roku.

1. Atlaidiet fiksācijas skrūvi, apm. trīs apgriezienus pagriežot to pretēji pulksteņrādītāja kustības virzienam, līdz fiksācija vairs nav sajūtama.
2. Nedaudz pavelciet instrumentu ārā no korpusa un pagriežiet to nepieciešamajā virzienā.
 - ▶ Ir astoņas iespējamās pozīcijas.
3. Iebīdīet instrumentu atpakaļ korpusā nepieciešamajā pozīcijā.
4. Ieskrūvējiet fiksācijas skrūvi pulksteņrādītāja kustības virzienā un pievelciet to ar roku.
 - ▶ Starp korpusu un matricas turētāju nedrīkst izveidoties sprauga.

5.8 Gājienu skaita regulēšana

- ▶ Iestatiet gājienu skaitu ar apgriezienu skaita iestatīšanas rata palīdzību.

6 Lietošana

Ievērojiet drošības norādījumus un brīdinājumus, kas atrodami šajā dokumentācijā un uz izstrādājuma.

6.1 Ieslēgšana

1. Nospiediet ieslēgšanas / izslēgšanas slēdža aizmugurējo daļu.
2. Pabīdīet ieslēgšanas / izslēgšanas slēdzi uz priekšu.
 - ▶ Motors darbojas.
3. Nobloķējiet ieslēgšanas / izslēgšanas slēdzi.

6.2 Griešana

BRĪDINĀJUMS!

Uzmanību! Neasi instrumenti var izraisīt cirtējšķēru pārslodzi!

- ▶ Regulāri pārbaudiet, vai spiedņa asmens nav nodilis. Lai saudzētu cirtējšķēres, savlaicīgi nomainiet spiedni.

1. Lai palielinātu spiedņa kalpošanas ilgumu un iegūtu labāku griešanas rezultātu, ieziediet griezuma līniju ar eļļu.
2. Ieslēdziet izstrādājumu. → Lappuse 78
3. Kad ir sasniegts pilns apgriezienu skaits, pievirziet cirtējšķēres griežamajam materiālam.
 - ▶ Lai veiktu izgriezumus, vispirms izurbiet sākuma atveri, kas atbilst izmantotajam instrumentam.
4. Apstrādājiet nepieciešamo griezuma līniju.



5. Kad griezumam ir pabeigts, izslēdziet izstrādājumu. Ja griezuma vietas beigas atrodas instrumenta zonā, vispirms pavelciet ieslēgtu izstrādājumu griezuma vietā par dažiem milimetriem atpakaļ un tikai pēc tam izslēdziet to.



Nenovietojiet cirtējšķēres skaidās, kamēr nav pilnībā apstājusies to kustība. Motors var iesūkt skaidas.

6.3 Griešana ar šablonu

Opcija: SPN-CN

Griešanai ar šablonu tiek izvirzītas šādas prasības:

- Šablona biezumam jābūt 5–7 mm.
- Šablona kontūrai jāatrodas 2,5 mm atstatumā no griezuma kontūras.
- Ievērojiet minimālo rādiusu 4 mm. Šablona minimālais rādiuss attiecīgi ir 6,5 mm.
- Cirtējšķēres jāvirza tā, lai spiedņa vadotnes ārējā mala vienmēr piekļautos šablonam.

6.4 Izslēgšana

- ▶ Nospiediet ieslēgšanas / izslēgšanas slēdža aizmugurējo daļu.
 - ▶ Ieslēgšanas / izslēgšanas slēdzis pārvietojas izslēgšanas pozīcijā, un motors apstājas.

7 Papildaprīkojums (opcija)

7.1 Skaidu maisiņa montāža

Opcija: SPN-CN

Lai skaidas netiktu nekontrolēti izsvaidītas, iespējams piemontēt maisiņu, kas paredzēts to savākšanai.

1. Saspiediet kopā abus skaidu maisiņā esošās atsperes galus.
2. Aplieciet atsperi ap matricas apakšējo galu un atlaidiet atsperes galus.
3. Pārbaudiet, vai skaidu maisiņš ir nostiprināts pareizi un stingri.

8 Apkope un uzturēšana



BRĪDINĀJUMS!

Traumu risks ievietota akumulatora gadījumā !

- ▶ Pirms jebkādiem apkopes un tehniskā stāvokļa uzturēšanas darbiem vienmēr izņemiet akumulatoru!

Iekārtas apkope

- Uzmanīgi jānotīra pielipušie netīrumi.
- Izņemiet putekļu filtru un uzmanīgi iztīriet to, kā arī ventilācijas atveres ar sausu birstīti.
- Korpusa tīrīšanai jālieto tikai neredzams samitrināta drāniņa. Nedrīkst lietot silikonu saturošus kopšanas līdzekļus, kas var sabojāt plastmasas daļas.

Litija jonu akumulatoru apkope

- Raugieties, lai akumulators ir tīrs un nebūtu savārtīts ar eļļu un smērvielām.
- Korpusa tīrīšanai jālieto tikai neredzams samitrināta drāniņa. Nedrīkst lietot silikonu saturošus kopšanas līdzekļus, kas var sabojāt plastmasas daļas.
- Nepieļaujiet mitruma iekļūšanu.

Uzturēšana

- Regulāri pārbaudiet visas redzamās daļas, lai pārliecinātos, ka tās nav bojātas un funkcionē nevainojami.
- Bojājumu un/vai funkciju traucējumu gadījumā izstrādājumu nedrīkst lietot. Tas nekavējoties jānodod **Hilti**, lai veiktu remontu.
- Pēc apkopes un remonta darbiem visas aizsargierīces jāpiemontē vietā un jāpārbauda, vai tās darbojas.



Lai iekārtas lietošana būtu droša, izmantojiet tikai oriģinālās rezerves daļas un patēriņa materiālus. Rezerves daļas un patēriņa materiālus, kuru lietošanu kopā ar šo iekārtu mēs akceptējam, var atrast **Hilti Store** vai tīmekļvietnē: www.hilti.group.



8.1 Spiedņa nomaiņa 8

Katrā spiedņa nomaiņas reizē pārbaudiet arī matricas, spiedņa vadotnes un nodilumplāksnes nodilumu (neattiecas uz SPN-CN) un, ja nepieciešams, nomainiet arī tās.

1. Demontējiet instrumentu. → Lappuse 78
2. Izņemiet nodilušo spiedi no instrumenta.
3. Ieziediet jauno spiedi un instrumentā esošo spiedņa vadotni ar smērvielu.
4. Ja eksistē turpmāk minētais aprīkojums, papildus veiciet arī šo darbību:

Opcija: SPN-RL

- ▶ Iemontējiet bīdītāja pagarinājumu starp bīdītāju un spiedi un ieziediet tos ar smērvielu.

5. Piemontējiet instrumentu. → Lappuse 78

8.2 Matricas nomaiņa 9

Opcija: SPN-CN

1. Virzienā uz augšu izbīdiet nosedzošo gredzenu no rievas.
2. Ar piemērota caursišanas instrumenta palīdzību izspiediet cilindrisko tapu.
3. Novelciet matricu no nesošās tapas.
4. Uzlieciet uz nesošās tapas jaunu matricu.
5. Iemontējiet cilindrisko tapu atpakaļ vietā.
6. Virzienā uz leju iebīdiet nosedzošo gredzenu rievā un pārbaudiet, vai tas ir pareizi nofiksēts.

8.3 Spiedņa vadotnes nomaiņa 10

Opcija: SPN-CN

IEVĒROT PIESARDZĪBU!

Bojājumu risks izstrādājumam un griezējinstrumentiem!

- ▶ Pirms stiprinājuma skrūvju montāžas notīriet vītņi.
- ▶ Vienmēr lietojiet komplektā iekļautās jaunās stiprinājuma skrūves un to pievilkšanā ievērojiet norādīto griezes momentu.

1. Demontējiet matricu. → Lappuse 80
2. Demontējiet stiprinājuma skrūves.
3. Noņemiet spiedņa vadotni.
4. Pielieciet jaunu spiedņa vadotni.
5. Ieskrūvējiet stiprinājuma skrūves ar norādīto griezes momentu.

Tehniskie parametri

Pievilkšanas griezes moments	3 Nm
------------------------------	------

6. Piemontējiet matricu atpakaļ vietā.

8.4 Matricas, spiedņa vadotnes un nodilumplāksnes nomaiņa 11, 12

Opcija: SPN-RN
VAI SPN-RL

IEVĒROT PIESARDZĪBU!

Bojājumu risks izstrādājumam un griezējinstrumentiem!

- ▶ Pirms stiprinājuma skrūvju montāžas notīriet vītņi.
- ▶ Vienmēr lietojiet komplektā iekļautās jaunās stiprinājuma skrūves un to pievilkšanā ievērojiet norādīto griezes momentu.

1. Demontējiet stiprinājuma skrūves.
2. Noņemiet spiedņa vadotni un matricu.



3. Pārbaudiet, vai nodilumplāksnei nav konstatējamas nodiluma pazīmes.

Rezultāts

Ja ir redzamas ievērojamas nodiluma pazīmes:

- ▶ Izņemiet nodilumplāksnei un nomainiet to pret jaunu.
4. Notīriet atbalsta virsmas pie matricas gultņa.
5. Nocentrējiet spiedņa vadotni un matricu ar tapu palīdzību.
6. Iemontējiet stiprinājuma skrūves, pievelkot tās tikai ar roku.
7. Ieziediet spiedņa vadotnes kustības virsmas ar smērvielu.
8. Krusteniskā secībā pievelciet stiprinājuma skrūves ar norādīto griezes momentu.

Techniskie parametri	
Pievilkšanas griezes moments	3 Nm

9 Ar akumulatoru darbināmo iekārtu transportēšana un uzglabāšana

Transportēšana

⚠ IEVĒROT PIESARDZĪBU!

Nekontrolēta iedarbošanās transportēšanas laikā !

- ▶ Pirms iekārtu transportēšanas vienmēr izņemiet no tām akumulatorus!
-
- ▶ Izņemiet akumulatorus.
 - ▶ akumulatorus nekādā gadījumā nedrīkst transportēt nenostiprinātā veidā, sabērtus kaudzēs.
 - ▶ Pirms atsākt iekārtas un akumulatoru lietošanu pēc ilgākas transportēšanas, pārbaudiet, vai tie nav bojāti.

Uzglabāšana

⚠ IEVĒROT PIESARDZĪBU!

Neparedzami bojājumi bojātu vai izplūdušu akumulatoru dēļ !

- ▶ Pirms iekārtu novietošanas glabāšanā vienmēr izņemiet no tām akumulatorus!
-
- ▶ Iekārta un akumulatori jāglabā pēc iespējas vēsā un sausā vietā.
 - ▶ Nekādā gadījumā neglabājiet akumulatorus augstā temperatūrā, tiešos saules staros vai aiz stikla.
 - ▶ Glabājiet iekārtu un akumulatorus vietā, kas nav pieejama bērniem un nepiederošām personām.
 - ▶ Pirms atsākt iekārtas un akumulatoru lietošanu pēc ilgas uzglabāšanas, pārbaudiet, vai tie nav bojāti.

10 Traucējumu novēršana

Ja iekārtas darbībā ir radušies traucējumi, kas nav uzskaitīti šajā tabulā vai ko jums neizdodas novērst saviem spēkiem, lūdz, meklējiet palīdzību mūsu **Hilti** servisā.

10.1 Traucējumu diagnostika

Traucējums	Iespējamais iemesls	Risinājums
Akumulators izlādējas ātrāk nekā parasti.	Ļoti zema apkārtējā temperatūra.	▶ Ļaujiet akumulatoram pamazām sasilt līdz istabas temperatūrai.
Akumulators nenofiksējas ar sadzirdamu klikšķi.	Netīri akumulatora fiksācijas izciļņi.	▶ Notīriet fiksācijas mēlītes un nofiksējiet akumulatoru no jauna.
1 LED mirgo. Iekārta nedarbojas.	Akumulators ir izlādējies.	▶ Nomainiet akumulatoru un uzlādējiet tukšo akumulatoru.
	Akumulators ir pārāk auksts vai pārāk karsts.	▶ Ļaujiet akumulatoram pamazām sasilt vai atdzist līdz istabas temperatūrai.
Visas 4 LED mirgo. Iekārta nedarbojas.	Iekārta ir pārslogota.	▶ Atlaidiet vadības slēdzi un pēc tam nospiediet to vēlreiz. Pēc tam apm. 30 sekundes darbiniet iekārtu tukšgaitā.



Traucējums	Iespējamais iemesls	Risinājums
Iekārta vai akumulators spēcīgi sakarst.	Elektrisks defekts.	► Nekavējoties izslēdziet iekārtu, izņemiet akumulatoru no iekārtas, vērojiet to, ļaujiet tam atdzist un vērsieties Hilti servisā.
Iekārta nedarbojas ar pilnu jaudu	Ievietots akumulators ar pārāk mazu kapacitāti.	► Lietojiet akumulatoru ar pietiekamu kapacitāti.
Samazinās griešanas jauda.	Nodilis spiednis.	► Nomainiet spiediņi. → Lappuse 80
Nedarbojas motora bremzēšana.	Akumulators ir izlādējies.	► Nomainiet akumulatoru un uzlādējiet tukšo akumulatoru.
	Iekārta ir īslaicīgi pārslogota.	► Izslēdziet un vēlreiz izslēdziet iekārtu.

11 Nokalpojušo iekārtu utilizācija

Hilti iekārtu izgatavošanā tiek izmantoti galvenokārt otrreiz pārstrādājami materiāli. Priekšnosacījums otrreizējai pārstrādei ir atbilstoša materiālu šķirošana. Daudzās valstīs **Hilti** pieņem nolietotās iekārtas otrreizējai pārstrādei. Lai saņemtu vairāk informācijas, vērsieties **Hilti** servisā vai pie sava pārdošanas konsultanta.

Akumulatoru utilizācija

Ja akumulatoru utilizācija netiek veikta pareizā veidā, var izplūst kaitīgas gāzes un šķidrums, kas apdraud veselību.

- Bojātus akumulatorus nav atļauts nosūtīt!
- Lai nepieļautu īssavienojumus, nosedziet pieslēguma kontaktus ar materiālu, kam nepiemīt elektriskā vadītspēja.
- Uzturējiet akumulatorus tā, lai tiem nevarētu piekļūt bērni.
- Nododiet akumulatoru utilizācijai jūsu apkalpojošajā **Hilti Store** vai vērsieties pie kompetentā atkritumu apsaimniekošanas uzņēmuma.



- Neizmetiet elektroiekārtas, elektroniskas ierīces un akumulatorus sadzīves atkritumos!

12 RoHS (direktīva par bīstamo vielu izmantošanas ierobežošanu)

Lai apskatītu bīstamo vielu tabulu, izmantojiet šādu saiti: qr.hilti.com/r10695220.

Saiti uz RoHS tabulu jūsu QR koda veidā atradīsiet šīs dokumentācijas beigās.

13 Ražotāja garantija

- Ar jautājumiem par garantijas nosacījumiem, lūdzam, vērsieties pie vietējā **Hilti** partnera.

Originali naudojimo instrukcija

1 Dokumentų duomenys

1.1 Apie šią instrukciją

- Prieš pradėdami eksploatuoti, perskaitykite šią instrukciją. Tai yra saugaus darbo ir patikimo naudojimo sąlyga.
- Laikykitės šioje instrukcijoje ir ant prietaiso pateiktų saugos nurodymų ir įspėjimų.
- Šią naudojimo instrukciją visada laikykite kartu su prietaisu, prietaisą kitiems asmenims perduokite tik kartu su šia instrukcija.



1.2 Ženklių paaiškinimas

1.2.1 Įspėjantieji nurodymai

Įspėjantieji nurodymai įspėja apie pavojus, gresiančius eksploatuojant prietaisą. Naudojami tokie signaliniai žodžiai:

PAVOJUS

PAVOJUS !

- Šis žodis vartojamas norint įspėti apie tiesiogiai gresiantį pavojų, kurio pasekmės yra sunkūs kūno sužalojimai arba žūtis.

ĮSPĖJIMAS

ĮSPĖJIMAS !

- Šis žodis vartojamas norint įspėti apie galimai gresiantį pavojų, kurio pasekmės gali būti sunkūs kūno sužalojimai arba žūtis.





ATSARGIAI

ATSARGIAI !

- Šis žodis vartojamas potencialiai pavojingai situacijai žymėti, kai yra kūno sužalojimo arba materialinių nuostolių grėsmė.


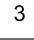


1.2.2 Instrukcijoje naudojami simboliai

Šioje instrukcijoje naudojami tokie simboliai:

	Prieš naudojant, perskaityti instrukciją
	Naudojimo nurodymai ir kita naudinga informacija
	Rodo, kad juo paženklintą medžiagą galima perdirbti
	Elektrinių prietaisų ir akumuliatorių nemesti į buitinius šiukšlynus

1.2.3 Iliustracijose naudojami simboliai




Iliustracijose naudojami šie simboliai:

	Šis skaitmenys nurodo atitinkamą iliustraciją šios instrukcijos pradžioje
	Numeravimas nurodo darbinių veiksmų eiliškumą paveikslėlyje ir gali skirtis nuo tekste pateikto darbinių veiksmų numeravimo
	Pozicijų numeriai naudojami paveikslėlyje Apžvalga – jie nurodo skyrelyje Prietaiso vaizdas esančių paaiškinimų numerius
	Šiuo ženklu siekiama atkreipti ypatingą dėmesį į naudojimąsi šiuo prietaisu.

1.3 Specifiniai prietaiso simboliai

1.3.1 Simboliai ant prietaiso

Ant prietaiso gali būti naudojami šie simboliai:

	Prietaisas palaiko NFC technologiją, suderinamą su „iOS“ ir „Android“ platformomis.
	Naudotas Hilti serijos ličio jonų akumulatorius. Atkreipkite dėmesį į duomenis skyriuje Naudojimas pagal paskirtį .
	Niekada nenaudokite akumulatoriaus kaip smūginio įrankio.



	Saugokite, kad akumulatorius nenukristų. Nenaudokite akumulatoriaus, kuris buvo sutrenktas arba kaip nors kitaip pažeistas.
Li-Ion	Ličio jonų akumulatorius
	Nuolatinė srovė
	Dirbant užsidėti apsauginius akinius

1.4 Informacija apie prietaisą

gaminiai yra skirti profesionalams, todėl juos naudoti, techniškai prižiūrėti ir remontuoti leidžiama tik įgaliotam instruktuoatam personalui. Šis personalas turi būti supažindintas su visais galimais pavojais. Neapmokyto personalo, netinkamai arba ne pagal paskirtį naudojamas prietaisais ir jo reikmenys gali kelti pavojų.

Tipas ir serijos numeris yra nurodyti firminėje duomenų lentelėje.

- ▶ Serijos numerį perkelkite į toliau nurodytą lentelę. Kreipdamiesi su prietaisu susijusiais klausimais į mūsų atstovybę ar techninės priežiūros centrą, visada nurodykite šiuos prietaiso duomenis.

Prietaiso duomenys

Iškertamosios skardos žirkklės	SPN 6-A22
Karta:	01
Serijos Nr.:	

1.5 Atitikties deklaracija

Prisiimdami visą atsakomybę pareiškiame, kad čia yra aprašytas gaminytis atitinka galiojančias direktyvas ir normas. Atitikties deklaracijos kopiją rasite šios instrukcijos gale.

Techninė dokumentacija saugoma čia:

Hilti Entwicklungsgesellschaft mbH | Zulassung Geräte | Hiltistraße 6 | 86916 Kaufering, DE

2 Sauga

2.1 Bendrieji saugos nurodymai dirbantiems su elektriniais įrankiais

⚠ IŠPĖJIMAS Perskaitykite visus ant šio elektrinio įrankio esančius saugos nurodymus, instrukcijas, paveikslėlius ir techninius duomenis. Šių nurodymų nesilaikymas gali tapti elektros smūgio, gaisro ir / arba sunkių sužalojimų priežastimi.

Išsaugokite visus saugos nurodymus ir instrukcijas, kad galėtumėte į juos pažvelgti ateityje.

Saugos nurodymuose vartojama sąvoka „elektrinis įrankis“ apibrėžiami iš elektros tinklo maitinami elektriniai įrankiai (turintys maitinimo kabelį) ir iš akumulatoriaus maitinami elektriniai įrankiai (be maitinimo kabelio).

Sauga darbo vietoje

- ▶ **Pasirūpinkite, kad darbo vieta visada būtų švari ir gerai apšviesta.** Netvarkinga ar blogai apšviesta darbo vieta gali tapti nelaimingų atsitikimų priežastimi.
- ▶ **Nenaudokite elektrinio įrankio sprogoje aplinkoje, kurioje yra degių skysčių, dujų arba dulkių.** Veikiantys elektriniai įrankiai kibirkščiuoja, ir kibirkštys gali uždegti dulkes arba susikaupusius garus.
- ▶ **Dirbdami su elektriniu įrankiu, neleiskite darbo zonoje būti vaikams ir pašaliniais asmenims.** Atitraukę dėmesį nuo darbo, galite nebesuvaldyti prietaiso.

Apsauga nuo elektros

- ▶ **Prietaiso maitinimo kabelio kištukas turi atitikti elektros lizdo tipą.** Kištuko jokia būdu negalima keisti. Nenaudokite tarpinių kištukų kartu su elektriniais įrankiais, turinčiais apsauginį įžeminimą. Nepakeisti kištukai ir tinkami elektros lizdai mažina elektros smūgio riziką.
- ▶ **Venkite kūno kontakto su įžemintais paviršiais, pvz., vamzdžiais, šildytuvais, viryklėmis ir šaldytuvais.** Kai žmogaus kūnas yra įžemintas, padidėja elektros smūgio tikimybė.
- ▶ **Elektrinius įrankius saugokite nuo lietaus ir drėgmės.** Į elektrinį įrankį patekus vandens, padidėja elektros smūgio rizika.
- ▶ **Nenaudokite elektros maitinimo kabelio ne pagal paskirtį, t. y. neneškite elektrinio įrankio paėmę už kabelio, nekabinkite jo ant kabelio, netraukite už kabelio, norėdami ištraukti kištuką iš elektros**



lizdo. Elektros maitinimo kabelį saugokite nuo karščio, alyvos, aštrių briaunų ar judančių dalių. Pažeisti arba susipyinę elektros maitinimo kabeliai didina elektros smūgio riziką.

- ▶ **Jei su elektriniu įrankiu dirbate lauke, naudokite tik tokius ilginimo kabelius, kurie tinka ir lauko darbams.** Naudojant lauko darbams tinkančius ilginimo kabelius, mažėja elektros smūgio rizika.
- ▶ **Jeigu elektrinio įrankio naudojimo drėgnoje aplinkoje negalima išvengti, į elektros tinklą jįjunkite per apsauginę nuotėkio relę.** Apsauginė nuotėkio relė mažina elektros smūgio riziką.

Žmonių sauga

- ▶ **Dirbdami su elektriniu įrankiu, būkite atidūs, sutelkite dėmesį į darbą ir vadovaukitės sveika nuovoka.** Elektrinio įrankio nenaudokite, jeigu esate pavargę arba apsvaigę nuo narkotinių medžiagų, alkoholio ar vaistų. Neatidumo akimirka dirbant su elektriniu įrankiu gali tapti rimtu sužalojimų priežastimi.
- ▶ **Naudokite asmenines apsaugos priemones ir visuomet užsidėkite apsauginius akinius.** Naudojant asmenines apsaugos priemones, pvz., respiratorių, neslystančius apsauginius batus, apsauginį šalną, ausines ir kt., priklausomai nuo elektrinio įrankio tipo ir naudojimo, mažėja rizika susižaloti.
- ▶ **Saugokitės, kad neįjungtumėte prietaiso atsitiktinai. Prieš prijungdami prie elektros maitinimo tinklo, idėdami akumuliatorių, imdami į rankas ar nešdami, įsitinkinkite, kad elektrinis įrankis yra išjungtas.** Jeigu nešdami elektrinį įrankį pirštą laikysite ant jungiklio arba įrankį įjungsitė į elektros tinklą tuomet, kai jungiklis nėra išjungtas, gali įvykti nelaimingas atsitikimas.
- ▶ **Prieš įjungdami elektrinį įrankį, pašalinkite iš jo reguliavimo įrankius ar veržlinius raktus.** Besisukančioje prietaiso dalyje esantis įrankis ar paliktas raktas gali tapti sužalojimų priežastimi.
- ▶ **Venkite nepatogių kūno padėčių. Dirbdami stovėkite tvirtai ir visada išlaikykite kūno pusiausvyrą.** Taip galėsite geriau kontroliuoti elektrinį įrankį netikėtose situacijose.
- ▶ **Vilkėkite tinkamą aprangą. Nevilkėkite plačių drabužių, nesidėkite papuošalų.** Saugokite plaukus, drabužius ir pirštines nuo besisukančių prietaiso dalių. Laisvus drabužius, papuošalus ir ilgus plaukus gali įtraukti besisukančios prietaiso dalys.
- ▶ **Jeį yra numatyta galimybė prijungti dulkių nusiurbimo ar surinkimo įrenginius, visada įsitinkinkite, kad jie yra prijungti ir tinkamai naudojami.** Naudojant dulkių nusiurbimo įrenginį, gali sumažėti dulkių keliamą grėsmę.
- ▶ **Neturėkite iliuzijų, kad visada esate saugūs, ir, skaitydami naudojimo instrukcijas, nepraleiskite skyrelių apie saugų darbą su elektriniais įrankiais, net jeigu per ilgus naudojimo metus esate su savo elektriniu įrankiu susipažinę.** Neatsargus veiksmas per sekundės dalį gali tapti sunkių sužalojimų priežastimi.

Elektrinio įrankio naudojimas ir elgesys su juo

- ▶ **Prietaiso neperkraudkite.** Naudokite Jūsų darbui tinkamą elektrinį įrankį. Su tinkamu elektriniu įrankiu dirbsite geriau ir saugiau, jei neviršysite nurodytos galios.
- ▶ **Nenaudokite elektrinio įrankio su sugedusiu jungikliu.** Elektrinis įrankis, kurio nebegalima įjungti ar išjungti, yra pavojingas ir jį reikia remontuoti.
- ▶ **Prieš prietaisą nustatydami, keisdami reikmenis ar tiesiog padėdami į šalį, visuomet ištraukite maitinimo kabelio kištuką iš elektros lizdo ir / arba iš prietaiso išimkite akumuliatorių.** Ši atsargumo priemonė leis išvengti nelaimingo elektrinio įrankio įsijungimo.
- ▶ **Nenaudojamus elektrinius įrankius saugokite vaikams nepasiekiamoje vietoje. Neleiskite prietaisu naudotis asmenims, kurie nėra su juo susipažinę arba nėra perskaitę šios instrukcijos.** Elektriniai įrankiai yra pavojingi, kai juos naudoja patirties neturintys asmenys.
- ▶ **Elektrinius įrankius ir reikmenis rūpestingai prižiūrėkite.** Tikrinkite, ar judančios elektrinio įrankio dalys tinkamai funkcionuoja ir niekur nekliūva, ar nėra sulūžusių ir pažeistų dalių, kurios blogintų įrankio veikimą. Prieš naudojimą pažeistos prietaiso dalys turi būti suremontuotos. Blogai prižiūrimi elektriniai įrankiai yra daugelio nelaimingų atsitikimų priežastis.
- ▶ **Pjovimo įrankiai visuomet turi būti aštrūs ir švarūs.** Rūpestingai prižiūrėti pjovimo įrankiai su aštriomis pjovimo briaunomis mažiau stringa ir yra lengviau valdomi.
- ▶ **Elektrinį įrankį, reikmenis, keičiamuosius įrankius ir t. t. naudokite pagal šias instrukcijas. Taip pat atsižvelkite į darbo sąlygas ir atliekamo darbo pobūdį.** Elektrinius įrankius naudojant ne pagal paskirtį, gali kilti pavojingos situacijos.
- ▶ **Prižiūrėkite rankenas, kad jos ir jų laikymo paviršiai visada būtų sausi, švarūs ir neriebaluoti.** Slidžios rankenos ir jų laikymo paviršiai negali užtikrinti elektrinio įrankio saugaus naudojimo ir valdymo kontrolės nenumatytose situacijose.

Akumuliatorinio įrankio naudojimas ir elgesys su juo

- ▶ **Akumuliatoriams įkrauti naudokite tik tuos kroviklius, kuriuos rekomenduoja gamintojas.** Kroviklį, tinkantį tik nurodytiems akumuliatorių tipams, naudojant kitiems akumuliatoriams įkrauti, kyla gaisro pavojus.



- ▶ **Elektriniuose įrankiuose naudokite tik konkrečiai jiems skirtus akumulatorius.** Naudojant kitokius akumulatorius, kyla pavojus susižaloti ir sukelti gaisrą.
- ▶ **Nenaudojamo akumulatoriaus nelaikykite šalia sąvaržėlių, monetų, raktų, vinių, varžtų ar kitokių smulkių metalinių daiktų, kurie galėtų trumpai sujungti akumulatoriaus kontaktus.** Trumpai sujungus akumulatoriaus kontaktus, yra pavojus nusideginti ar sukelti gaisrą.
- ▶ **Netinkamai naudojant akumuliatorių, iš jo gali ištekėti skystis. Venkite kontakto su šiuo skysčiu. Jei skystis atsitiktinai pateko ant odos, nuplaukite ją vandeniu, jei pateko į akis - gerai praplaukite jas vandeniu ir nedelsdami kreipkitės į gydytoją.** Akumulatoriaus skystis gali sudirginti arba chemiškai nudeginti odą.
- ▶ **Nenaudokite pažeisto arba perdirbto akumulatoriaus.** Pažeisti arba perdirbti akumulatoriai gali funkcionuoti nenumatytai, todėl gali kelti gaisro, sproginimo ar sužalojimų pavojų.
- ▶ **Akumuliatorių saugokite nuo ugnies ir per aukštos temperatūros.** Ugnies arba didesnės kaip 130 °C (265 °F) temperatūros veikiamas akumuliatorius gali sprogti.
- ▶ **Laikykites visų įkrovimo instrukcijų ir akumuliatorių arba akumuliatorinį įrankį visada įkraukite tik eksploatavimo instrukcijoje nurodytame temperatūrų diapazone.** Netinkamas įkrovimas arba įkrovimas už leistino temperatūrų diapazono ribų gali sugadinti akumuliatorių ir padidinti gaisro pavojų.

Techninė priežiūra

- ▶ **Savo elektrinį įrankį patikėkite remontuoti tik kvalifikuotam specialistui, tam jis turi naudoti tik originalias atsargines dalis.** Taip galima užtikrinti, kad bus išlaikytas prietaiso naudojimo saugumas.
- ▶ **Niekada nevykdykite pažeistų akumuliatorių techninės priežiūros.** Bet kokią akumuliatorių techninę priežiūrą leidžiama vykdyti tik gamintojui arba įgaliotoms klientų aptarnavimo įmonėms.

2.2 Su akumulatoriais elgtis atsargiai

- ▶ Laikykites ličio jonų akumuliatorių specialiųjų transportavimo, sandėliavimo ir naudojimo direktyvų.
- ▶ Akumuliatorius saugokite nuo aukštos temperatūros, tiesioginių saulės spindulių ir ugnies.
- ▶ Akumuliatorius draudžiama ardyti, spausti, kaitinti iki aukštesnės kaip 80 °C temperatūros arba deginti.
- ▶ Nenaudokite ir neįkraukite akumuliatorių, kurie buvo patyrę smūgį, kritę iš didesnio kaip vieno metro aukščio ar yra kitokiu būdu pažeisti. Tokiu atveju visada kreipkitės į savo **Hilti techninės priežiūros centrą**.
- ▶ Jeigu į rankas paimtas akumuliatorius atrodo karštas, jis gali būti sugedęs. Pastatykite akumuliatorių matomoje, nedegioje vietos pakankamu atstumu nuo degių medžiagų. Leiskite akumuliatoriui atvėsti. Jei akumuliatorius po valandos vis dar yra per karštas paimti į rankas, jis yra sugedęs. Susisiekite su **Hilti techninės priežiūros centru**.

2.3 Papildomi saugos nurodymai

Žmonių sauga

- ▶ Mūvėkite apsaugines pirštines, jei dirbate su prietaisu. Naudojimo metu keičiamasis įrankis įkaista, kyla pavojus nusideginti. Pjūvio briaunos ir metalo drožlės yra aštriabriaunės, kyla pavojus susižeisti.
- ▶ Dirbdami darykite pertraukas ir atpalaidavimo pratimus pirštams, kad pagerėtų kraujotaka.
- ▶ Dirbdami užsidėkite ausines. Triukšmas gali pakenkti klausai.
- ▶ Nedirbkite prietaisą pakėlę virš galvos.

Apsauga nuo elektros

- ▶ Jei prietaisus dažnai naudojate elektrai laidžioms medžiagoms apdirbti, užterštus prietaisus reguliariai tikrinkite „Hilti“ techninės priežiūros centre. Ant prietaiso korpuso susikaupusios dulkės, ypač elektrai laidžių medžiagų dulkės, arba drėgmė gali kelti elektros smūgio pavojų, esant nepalankioms sąlygoms.
- ▶ Reguliariai valykite elektrinio įrankio ventiliacines angas. Variklio ventiliatorius įsurbia į prietaiso korpusą dulkių; per didelės metalo dulkių sankaupos gali kelti grėsmę prietaiso elektriniam saugumui.
- ▶ Prieš pradėdami dirbti patikrinkite (pvz., naudodami metalo detektorius), ar darbo zonoje nėra paslėptų elektros laidų, dujų ir vandentiekio vamzdžių. Netyčia pažeidus, pvz., elektros kabelį, išorinėse metalinėse prietaiso dalyse gali atsirasti įtampa.
- ▶ Nepjunkite ruošinių, kuriuose galėtų būti įtampa.

Sauga darbo vietoje

- ▶ Darbo vieta turi būti švari. Metalo drožlės yra aštrios ir gali subraižyti grindis.

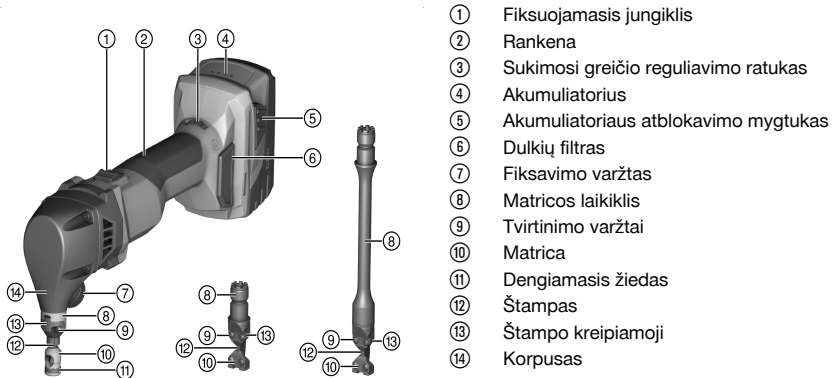
Atsargus elektrinių įrankių naudojimas ir elgesys su jais

- ▶ Įsitinkinkite, kad ant prietaiso nėra drožlių ir nešvarumų. Atkreipkite dėmesį, kad dirbant į jungiklio zoną nepatektų drožlių. Drožlės gali užblokuoti jungiklį, ir prietaiso nebūtų galima išjungti.



3 Aprašymas

3.1 Prietaiso vaizdas 1



- ① Fiksuojamasis jungiklis
- ② Rankena
- ③ Sukimosi greičio reguliavimo ratukas
- ④ Akumulatorius
- ⑤ Akumulatoriaus atblokovimo mygtukas
- ⑥ Dulkių filtras
- ⑦ Fiksavimo varžtas
- ⑧ Matricos laikiklis
- ⑨ Tvirtinimo varžtai
- ⑩ Matrica
- ⑪ Dengiamasis žiedas
- ⑫ Štampas
- ⑬ Štampo kreipiamoji
- ⑭ Korpusas

3.2 Naudojimas pagal paskirtį

Aprašytasis prietaisas yra rankinės akumuliatorinės iškertamosios skardos žirkklės. Jos skirtos lakštiniams ruošiniams, pagamintiems iš medžiagų, kurias galima štampuoti, pvz., plieno, aliuminio, spalvotųjų metalų ir plastiko, kirpti, tiesioms arba kreivoms išorinėms briaunoms ir vidinėms išpjovoms iškirsti bei kirpti pagal piešinį. Dirbant iškirtimo metu gaunamos nepersisukančios pjūvio briaunos. Priklausomai nuo naudojamo keičiamojo įrankio, gaunami papildomi naudojimo atvejai.

SPN-CN: Šis įrankis papildomai yra skirtas vamzdžiams pjauti, banguotiesiems skardos lakštams apdirbti bei kirpti pagal šabloną. Dėl tuščiaavidurio cilindrinio štampo iškertamasias skardos žirkles dirbant galima pasukti vietoje ir darbą tęsti bet kuria kryptimi.

Pasirinktinai: SPN-RN ir SPN-RL: šie keičiamieji įrankiai papildomai yra skirti profiliuotos skardos lakštams, pvz., trapecinio profilio skardai, banguotos skardos lakštams, skardinėms kasetėms ir lenktoms profilinėms juostelėms, kirpti.

- ▶ Su šiuo prietaisu naudokite tik B 22 serijos **Hilti** ličio jonų akumulatorius.
- ▶ Šiems akumulatoriams įkrauti naudokite tik C4/36 serijos **Hilti** kroviklius.

3.3 Tiekiamas komplektas

Iškertamosios žirkklės, „Torx“ tipo raktas, naudojimo instrukcija

Kad eksploatacija būtų patikima, naudokite tik originalias atsargines dalis ir eksploatacines medžiagas. Mūsų aprobuotas atsargines dalis, eksploatacines medžiagas ir reikmenis savo prietaisui rasite vietinėje **Hilti Store** arba tinklalapyje www.hilti.group



Prieš tiekimą buvo patikrintas prietaiso veikimas. Tikrinant ruošinys ant korpuso paviršiaus galėjo palikti nedidelius įbrėžimus.

3.4 Prietaiso šiluminė apsauga

Variklio šiluminis apsauginis išjungiklis kontroliuoja vartojamos srovės dydį ir variklio įšilimą, taip saugodamas prietaisą nuo perkaitimo.

Variklį perkrovus per didelę spaudimo jėgą, prietaiso galia pastebimai sumažėja, variklis gali netgi visiškai sustoti.

Jeigu dėl perkrovos prietaisas sustoja arba sumažėjo jo sukimosi greitis, reikia sumažinti apkrovą ir leisti prietaisui maždaug 30 sekundžių veikti tuščiosios eigos sukimosi greičiu.

3.5 Ličio jonų akumulatoriaus įkrovos lygio indikatorius

Ličio jonų akumulatoriaus įkrovos lygis rodomas paspaudus vieną iš dviejų akumulatoriaus atblokovimo mygtukų.



Būseną	Reikšmė
Šviečia 4 šviesos diodai.	Įkrovos lygis: nuo 75 iki 100 %
Šviečia 3 šviesos diodai.	Įkrovos lygis: nuo 50 iki 75 %
Šviečia 2 šviesos diodai.	Įkrovos lygis: nuo 25 iki 50 %
Šviečia 1 šviesos diodas.	Įkrovos lygis: nuo 10 iki 25 %
1 šviesos diodas mirksi.	Įkrovos lygis: < 10 %

i Dirbant ir iškart po darbo įkrovos lygio įvertinti negalima. Mirksint akumuliatoriaus įkrovos lygio indikatorius šviesos diodams, laikykitės skyriuje „Pagalba sutrikus veikimui“ pateiktų nurodymų.

4 Techniniai duomenys

Iškertamosios žirklys standartiški tiekiamas su keičiamuoju įrankiu SPN-CN. SPN-RN ir SPN-RL galima išgyti kaip pasirinktinus priedus.

	SPN-CN	SPN-RN	SPN-RL
Nurodytoji įtampa	21,6 V	21,6 V	21,6 V
Svoris pagal EPTA Procedure 01 su akumuliatoriumi B228.0	3,1 kg	3,0 kg	3,3 kg
Judesių skaičius, veikiant tuščiaja eiga	620 aps./min. ... 1 370 aps./min.	620 aps./min. ... 1 370 aps./min.	620 aps./min. ... 1 370 aps./min.
Pradinės skylės skersmuo	17 mm	24 mm	24 mm
Mažiausias spindulys, pjaunant kreivės formos išpjovas	4,0 mm	•/•	•/•
Spindulys	•/•	50 mm	50 mm
Kirpimo takelio plotis	8,0 mm	5,0 mm	5,0 mm
Leistinas medžiagos storis, plienas iki 400 N/mm²	2,0 mm / 14 Ga	2,0 mm / 14 Ga	2,0 mm / 14 Ga
Leistinas medžiagos storis, plienas iki 600 N/mm²	1,5 mm / 16 Ga	1,5 mm / 16 Ga	1,5 mm / 16 Ga
Leistinas medžiagos storis, plienas iki 800 N/mm²	1,0 mm / 20 Ga	1,0 mm / 20 Ga	1,0 mm / 20 Ga
Leistinas medžiagos storis, aliuminis iki 250 N/mm²	2,5 mm / 10 Ga	3,0 mm / 9 Ga	3,0 mm / 9 Ga

4.1 Akumuliatorius

Akumuliatoriaus darbinė įtampa	21,6 V
Darbinė aplinkos temperatūra	-17 °C ... 60 °C
Laikymo temperatūra	-20 °C ... 40 °C
Akumuliatoriaus temperatūra, kai pradeda įkrauti	-10 °C ... 45 °C

4.2 Informacija apie triukšmą ir vibracijos reikšmės pagal EN 62841

Šiuose nurodymuose pateiktos garso slėgio ir vibracijos reikšmės yra išmatuotos taikant standartizuotą matavimo metodą ir gali būti naudojamos elektriniams įrankiams palyginti tarpusavyje. Jos taip pat tinka šių veiksmų poveikiui iš anksto įvertinti.

Nurodytieji duomenys yra susieti su pagrindinėmis šio elektrinio įrankio naudojimo sritimis. Jeigu elektrinis įrankis bus naudojamas kitaip, su skirtingais keičiamaisiais įrankiais arba bus nepakankamai techniškai prižiūrimas, šie duomenys gali skirtis nuo nurodytųjų. Tai gali gerokai padidinti šių veiksmų poveikį per visą darbo laikotarpį.

Norint tiksliai įvertinti poveikį, reikėtų įvertinti ir laiką, kai prietaisas yra išjungtas, arba, nors ir įjungtas, juo faktiškai nedirbama. Toks įvertinimas gali smarkiai sumažinti poveikio per visą darbo laikotarpį reikšmę.

Imkitės papildomų saugos priemonių, kad darbuotojas būtų apsaugotas nuo triukšmo ir / arba vibracijos poveikio, pavyzdžiui, reikalaukite tinkamos elektrinio įrankio ir keičiamųjų įrankių techninės priežiūros, pasirūpinkite, kad darbuotojų rankos visada būtų šiltos, užtikrinkite tinkamą darbo organizavimą.



Informacija apie triukšmą

Tipinis A svertinis garso slėgio lygis (L_{pA})	91 dB(A)
Garso slėgio lygio paklaida (K_{pA})	3 dB(A)
Tipinis A svertinis garso galios lygis (L_{WA})	102 dB(A)
Garso galios lygio paklaida (K_{WA})	3 dB(A)

Informacija apie vibraciją

	SPN-CN	SPN-RN	SPN-RL
Triašės vibracijos vertė (a_n)	6,7 m/s ²	7,4 m/s ²	6,2 m/s ²
Paklaida (K)	1,5 m/s ²	1,5 m/s ²	1,5 m/s ²

5 Pasiruošimas darbui

ATSARGIAI

Sužalojimo pavojus dėl atsitiktinio paleidimo!

- ▶ Prieš įdėdami akumuliatorių, įsitikinkite, kad atitinkamas prietaisas yra išjungtas.
- ▶ Prieš nustatydami prietaisą ar keisdami reikmenis, išimkite akumuliatorių.

Laikykitės šioje instrukcijoje ir ant prietaiso pateiktų saugos nurodymų ir įspėjimų.

5.1 Akumulatoriaus įkrovimas

1. Prieš pradėdami krauti, perskaitykite kroviklio naudojimo instrukciją.
2. Atkreipkite dėmesį, kad akumulatoriaus ir kroviklio kontaktai turi būti švarūs ir sausi.
3. Akumuliatorių įkraukite leistinu krovikliu.

5.2 Akumulatoriaus įdėjimas

ATSARGIAI

Sužalojimo pavojus dėl trumpojo jungimo arba krintančio akumulatoriaus!

- ▶ Prieš įdėdami akumuliatorių, įsitikinkite, kad jo ir prietaiso kontaktuose nėra pašalinių daiktų.
- ▶ Visada įsitikinkite, kad akumuliatorius tinkamai užsifiksavo.

1. Prieš pirmąjį kartą naudodami, akumuliatorių pilnai įkraukite.
2. Akumuliatorių dėkite į prietaisą esantį laikiklį, kol girdimai užsifiksuos.
3. Patikrinkite, ar akumuliatorius gerai užfiksuotas prietaise.

5.3 Akumulatoriaus išėmimas

1. Spauskite akumulatoriaus atfiksavimo mygtukus.
2. Akumuliatorių išimkite iš prietaiso.

5.4 Įrankiai

Pagrindui tinkamą keičiamojo įrankio kombinaciją rasite paveikslėlyje.

Pagrindų paaiškinimas

- A: Plokščias skardos lakštas
- B: Banguotas skardos lakštas
- C: Trapecinio profilio skarda (profilio gylis maks. iki 85 mm)
- D: Trapecinio profilio skarda (profilio gylis maks. iki 162 mm)

Norint su įrankiais SPN-RN ir SPN-RL iki 1 mm storio skardoje padaryti pjūvį be užvartos, galima naudoti matricą P1. Dėl mažesnio kirpimo tarpo susidaro mažiau užvartų.

5.5 Įrankio išmontavimas

1. Atpalaiduokite fiksavimo varžtą, pasukdami šešis apsisukimus prieš laikrodžio rodyklę.
2. Įrankį ištraukite iš korpuso.



5.6 Įrankio montavimas 4

1. Sutepkite štampo kreipiamąją.
2. Štampa užkabinkite už stūmiklio griovelio.
3. Kirpimo kryptį nustatykite į priekį.
4. Įrankį su į priekį nustatyta kirpimo kryptimi įkiškite į korpusą.
5. Baigdami nustatykite įrankį norima kirpimo kryptimi.
6. Fiksavimo varžtą įsukite pagal laikrodžio rodyklę ir tvirtai užveržkite ranka.
 - ▶ Tarp korpuso ir matricos laikiklio turi nebūti jokio tarpo.

5.7 Kirpimo krypties nustatymas 5

Jei reikia, kirpimo kryptį galima pasukti į dešinę arba į kairę 45° žingsniais.

Taip galėsite paprasčiau apdirbti profiliuotuosius skardos lakštus ir iškertamąsias žirkles nustatyti valdyti dešiniaja arba kairiaja ranka.

1. Sukdami tris apsisukimus prieš laikrodžio rodyklę atsukite fiksatorių, kad nebūtų justi fiksacijos.
2. Ištraukite įrankį šiek tiek iš korpuso ir sukite norima kryptimi.
 - ▶ Yra aštuonios galimos fiksavimo padėties.
3. Į norimą fiksavimo padėtį nustatytą įrankį įstumkite atgal į korpusą.
4. Fiksavimo varžtą įsukite pagal laikrodžio rodyklę ir tvirtai užveržkite ranka.
 - ▶ Tarp korpuso ir matricos laikiklio turi nebūti jokio tarpo.

5.8 Judesių dažnio nustatymas

- ▶ Nustatykite judesių dažnį sukimo greičio reguliavimo ratuku.

6 Naudojimas

Laikykitės šioje instrukcijoje ir ant prietaiso pateiktų saugos nurodymų ir įspėjimų.

6.1 Įjungimas

1. Spauskite galinę jungiklio dalį.
2. Pastumkite jungiklį į priekį.
 - ▶ Variklis sukasi.
3. Jungiklį užfiksukite.

6.2 Kirpimas 5

ĮSPĖJIMAS

Atsargiai Iškertamųjų skardos žirklių perkrova dėl atšipusių įrankių!

- ▶ Reguliariai tikrinkite štampo ašmenų nusidėvėjimą. Laiku pakeiskite štampa, kad tausotumėte iškertamąsias žirkles.

1. Kirpimo vietą patepkite alyva, kad pailgintumėte štampo naudojimo trukmę ir pagerintumėte kirpimo rezultata.
2. Prietaisą įjunkite. → psl. 90
3. Kai pasiekiamas visas sukimosi greitis, iškertamąsias žirkles pridėkite prie ruošinio.
 - ▶ Kirpdami vidinę išpjovą, pirmiausia padarykite pradinę skylę, tinkančią naudojam įrankiui.
4. Kirpkite pagal pageidaujama kirpimo linija.
5. Baigę kirpti išjunkite prietaisą. Jeigu baigiasi kirpimo linija ruošinyje, įjungta prietaisą pirmiausia patraukite kirpimo linijoje kelis milimetrus atgal ir tik tada išjunkite prietaisą.



Iškertamųjų žirklių nedėkite ant drožlių, kol jos visiškai nesustojo. Variklis gali įtraukti drožlių.



6.3 Kirpimas pagal šablona 5

Papildomai užsakoma įranga: SPN-CN

Kerpant pagal šablona, keliami toliau išvardyti reikalavimai.

- Šablono storis turi būti 5–7 mm.
- Šablono kontūras turi būti 2,5 mm atstumu iki pjūvio kontūro.
- Atkreipkite dėmesį, kad mažiausias spindulys yra 4 mm. Šablono mažiausias spindulys atitinkamai yra 6,5 mm.
- Iškartamosios žirklys turi būti valdomos taip, kad štampo kreipiamosios išorinė briauna visada būtų prigludusi prie šablono.

6.4 Išjungimas

- ▶ Spauskite galinę jungiklio dalį.
 - ▶ Jungiklis peršoka į išjungimo padėtį, ir variklis sustoja.

7 Papildomai užsakomi reikmenys

7.1 Drožlių maišo montavimas 7

Papildomai užsakoma įranga: SPN-CN

Kad drožlės nekontroliuojamai nepasklistų aplink, drožlėms surinkti galima sumontuoti drožlių maišą.

1. Suspauskite abu spyruoklės galus drožlių maiše.
2. Spyruoklę uždėkite aplink apatinį matricos galą ir paleiskite spyruoklės galus.
3. Patikrinkite, ar spyruoklė ir drožlių maišas tinkamai ir tvirtai sumontuoti.

8 Prižiūra ir einamasis remontas



ĮSPĖJIMAS

Sužalojimo pavojus kai įstatytas akumulatorius !

- ▶ Prieš pradėdami bet kokius techninės priežiūros ir einamojo remonto darbus, akumuliatorių iš prietaiso išimkite!

Prietaiso priežiūra

- Atsargiai pašalinti prilipusius nešvarumus.
- Nuimti ir sausu šepetėliu atsargiai išvalyti dulkių filtrą ir vėdinimo plyšius.
- Korpusą valyti tik šiek tiek sudrėkinta šluoste. Nenaudoti silikono turinčių priežiūros priemonių, nes jos gali pakenkti plastikinėms detalėms.

Ličio jonų akumuliatorių priežiūra

- Akumuliatorių laikyti švarų ir saugoti nuo alyvos ir tepalo.
- Korpusą valyti tik šiek tiek sudrėkinta šluoste. Nenaudoti silikono turinčių priežiūros priemonių, nes jos gali pakenkti plastikinėms detalėms.
- Saugoti, kad į vidų nepatektų drėgmės.

Einamasis remontas

- Reguliariai tikrinti, ar matomos dalys nėra pažeistos ir ar valdymo elementai veikia nepriekaištingai.
- Nenaudoti pažeisto ir / arba turinčio veikimo sutrikimų prietaiso. Nedelsiant kreiptis į **Hilti** techninės priežiūros centrą dėl remonto.
- Baigus techninės priežiūros ir einamojo remonto darbus, sumontuoti visus apsauginius įtaisus ir patikrinti jų veikimą.



Kad eksploatacija būtų patikima, naudokite tik originalias atsargines dalis ir eksploatacines medžiagas. Mūsų aprobuotas atsargines dalis, eksploatacines medžiagas ir reikmenis savo prietaisui rasite vietinėje **Hilti Store** arba tinklalapyje www.hilti.group.



8.1 Štampo keitimas 8

Kiekvieną kartą keisdami štampą patikrinkite matricos, štampo kreipiamosios ir susidėvinčios plokštelės (ne tik skirtos SPN-CN) susidėvėjimą ir, jei reikia, pakeiskite vienu metu.

1. Išmontuokite įrankį. → psl. 89
2. Susidėvėjusį štampą išimkite iš įrankio.
3. Sutepkite naują štampą ir štampo kreipiamąjį įrankyje.
4. Jeigu toliau nurodyta komplektacija egzistuoja, papildomai atlikite šį veiksmą:

Papildomai užsakoma įranga: SPN-RL

- ▶ Sumontuokite stūmiklio ilgintuvą tarp stūmiklio ir štampo ir jį sutepkite.

5. Sumontuokite įrankį. → psl. 90

8.2 Matricos keitimas 9

Papildomai užsakoma įranga: SPN-CN

1. Dengiamąjį žiedą stumkite aukštyn iš griovelio.
2. Cilindrinį kaištį išstumkite tinkamu stumtuku.
3. Matricą nuimkite nuo laikančiojo kaiščio.
4. Uždėkite naują matricą ant laikančiojo kaiščio.
5. Vėl įkiškite cilindrinį kaištį.
6. Dengiamąjį žiedą pastumkite žemyn į griovelį ir patikrinkite, ar jis gerai stovi.

8.3 Štampo kreipiamosios keitimas 10

Papildomai užsakoma įranga: SPN-CN

ATSARGIAI

Galima žala gaminiui ir pjovimo įrankiams!

- ▶ Prieš montuodami tvirtinimo varžtus, nuvalykite sriegį.
- ▶ Visada naudokite kartu tiekiamus tvirtinimo varžtus ir laikykitės nurodyto priveržimo momento.

1. Išmontuokite matricą. → psl. 92
2. Išsukite tvirtinimo varžtus.
3. Nuimkite štampo kreipiamąją.
4. Įstatykite naują štampo kreipiamąją.
5. Tvirtinimo varžtus priveržkite nurodytu sukimo momentu.

Techniniai duomenys

Priveržimo momentas	3 Nm
---------------------	------

6. Vėl sumontuokite matricą.

8.4 Matricos, štampo kreipiamosios ir susidėvinčios plokštelės keitimas 11, 12

Papildomai užsakoma įranga: SPN-RN
ARBA SPN-RL

ATSARGIAI

Galima žala gaminiui ir pjovimo įrankiams!

- ▶ Prieš montuodami tvirtinimo varžtus, nuvalykite sriegį.
- ▶ Visada naudokite kartu tiekiamus tvirtinimo varžtus ir laikykitės nurodyto priveržimo momento.

1. Išsukite tvirtinimo varžtus.
2. Nuimkite štampo kreipiamąją ir matricą.



3. Patikrinkite, ar ant susidėvinčios plokštelės nėra susidėvėjimo žymių.

Rezultatas

Jei matomos aiškios susidėvėjimo žymės:

- ▶ išimkite susidėvinčią plokštelę ir pakeiskite nauja.
4. Nuvalykite matricos guolio atraminį paviršių.
5. Kakliukais centruokite štampo kreipiamąją ir matricą.
6. Įstatykite ir ranka prisukite tvirtinimo varžtus.
7. Sutepkite štampo kreipiamosios kreipiamąjį paviršių.
8. Tvirtinimo varžtus priveržkite kryžminiū būdu nurodytu sukimo momentu.

Techniniai duomenys	
Priveržimo momentas	3 Nm

9 Akumuliatorių prietaisų transportavimas ir sandėliavimas

Transportavimas



ATSARGIAI

Atsitiktinis įjungimas transportuojant !

- ▶ Savo prietaisus visada transportuokite tik išėmę akumulatorius!

- ▶ Išimti akumulatorius.
- ▶ Akumuliatorių niekada netransportuoti sumetus į krūvą su kitais daiktais.
- ▶ Prieš naudojant po ilgesnio transportavimo, patikrinti, ar prietaisas ir akumulatoriai nėra pažeisti.

Sandėliavimas



ATSARGIAI

Atsitiktinis pažeidimas dėl sugedusių ar išsiliejusių akumuliatorių !

- ▶ Savo prietaisus visada laikykite tik išėmę akumulatorius!
- ▶ Prietaisą ir akumulatorius pagal galimybes laikyti sausoje ir vėsioje vietoje.
- ▶ Akumuliatorių jokiū būdu nelaikyti saulės atokaitoje, ant šildymo prietaisų ar už automobilio lango stiklo.
- ▶ Prietaisą ir akumulatorius laikyti vaikams bei neįgalotiems asmenims neprieinamoje vietoje.
- ▶ Prieš naudojant po ilgesnio sandėliavimo, patikrinti, ar prietaisas ir akumulatoriai nėra pažeisti.

10 Pagalba sutrikus veikimui

Pasitaikius sutrikimų, kurie nėra aprašyti šioje lentelėje arba kurių negalite pašalinti patys, kreipkitės į **Hilti** techninės priežiūros centrą.

10.1 Sutrikimų paieška

Sutrikimas	Galima priežastis	Sprendimas
Akumulatorius išsikrauna greičiau negu įprastai.	Labai žema aplinkos temperatūra.	▶ Leiskite akumuliatoriui lėtai įšilti iki patalpos temperatūros.
Akumulatorius neužsifiksuoja girdimu spragtelėjimu.	Užteršti akumulatoriaus fiksatoriai.	▶ Fiksatorius išvalykite ir iš naujo įdėkite akumuliatorių.
1 šviesos diodas mirksi. Prietaisas neveikia.	Akumulatorius yra išsikrovęs.	▶ Akumuliatorių pakeiskite, o išsikrovusį – įkraukite.
	Akumulatorius yra per šaltas arba per karštas.	▶ Leiskite akumuliatoriui lėtai įšilti arba atvėsti iki patalpos temperatūros.
Mirksi visi 4 šviesos diodai. Prietaisas neveikia.	Prietaisas perkrautas.	▶ Valdymo jungiklį atleiskite ir vėl paspauskite. Tada leiskite prietaisui maždaug 30 sekundžių veikti tuščiaja eiga.



Sutrikimas	Galima priežastis	Sprendimas
Prietaisas arba akumulatorius stipriai kaista.	Elektrinis gedimas	▶ Prietaisą nedelsdami išjunkite, išimkite akumulatorių ir stebėkite jį, leiskite jam atvėsti ir susisiekite su Hilti techninės priežiūros centru.
Prietaisas veikia ne visa galia.	Įdėtas per mažos talpos akumulatorius.	▶ Naudokite pakankamos talpos akumulatorių.
Mažėjantis kirpimo našumas	Susidėvėjęs štampas	▶ Pakeiskite štampą. → psl. 92
Neveikia variklio stabdymo funkcija.	Akumulatorius yra išsikrovęs. Prietaisas trumpam perkrautas.	▶ Akumulatorių pakeiskite, o išsikrovusį – įkraukite. ▶ Prietaisą išjunkite ir vėl įjunkite.

11 Utilizavimas

Hilti prietaisai yra pagaminti iš medžiagų, kurias galima naudoti antrą kartą. Būtina antrinio perdirbimo sąlyga yra tinkamas medžiagų išrūšiavimas. Daugelyje šalių **Hilti** priiims Jūsų nebenaudojamą prietaisą perdirbti. Apie tai galite pasiteirauti artimiausiam **Hilti** techninės priežiūros centre arba savo prekybos konsultantui.

Akumuliatorių utilizavimas

Dėl netinkamo akumuliatorių utilizavimo į aplinką pasklidusios dujos ar ištekėję skysčiai gali kelti grėsmę sveikatai.

- ▶ Pažeistų akumuliatorių nesiųskite paštu ir nepervežkite!
- ▶ Kad būtų išvengta trumpojo jungimo, jungtis uždenkite elektrai nelaidžia medžiaga.
- ▶ Akumulatorius utilizuokite taip, kad jie negalėtų patekti į vaikų rankas.
- ▶ Akumuliatorių pristatykite utilizuoti į savo **Hilti Store** arba kreipkitės į vietinę kompetentingą utilizavimo įmonę.



- ▶ Elektrinių įrankių, elektroninių prietaisų ir akumuliatorių neišmeskite į buitinius šiukšlynus!

12 RoHS (direktyva dėl pavojingų medžiagų naudojimo ribojimo)

Pavojingų medžiagų lentelę rasite spausdami šią nuorodą: qr.hilti.com/r10695220.

Nuorodą į RoHS lentelę rasite kaip QR kodą šios instrukcijos gale.

13 Gamintojo teikiama garantija

- ▶ Kilus klausimų dėl garantijos sąlygų, kreipkitės į vietinį **Hilti** partnerį.

Originální návod k obsluze

1 Údaje k dokumentaci

1.1 O této dokumentaci

- Před uvedením do provozu si přečtěte tuto dokumentaci. Je to předpoklad pro bezpečnou práci a bezproblémové zacházení.
- Dodržujte bezpečnostní a varovné pokyny uvedené v této dokumentaci a na výrobku.
- Návod k obsluze mějte uložený vždy u výrobku a dalším osobám předávejte výrobek jen s tímto návodem.

1.2 Vysvětlení značek

1.2.1 Varovná upozornění

Varovná upozornění varují před nebezpečím při zacházení s výrobkem. Byla použita následující signální slova:



NEBEZPEČÍ

NEBEZPEČÍ !

- ▶ Používá se k upozornění na bezprostřední nebezpečí, které by mohlo vést k těžkému poranění nebo k smrti.

VÝSTRAHA

VÝSTRAHA !

- ▶ Používá se k upozornění na potenciální nebezpečí, které může vést k těžkým poraněním nebo k smrti.

POZOR

POZOR !

- ▶ Používá se k upozornění na potenciálně nebezpečnou situaci, která by mohla vést k poraněním nebo k věcným škodám.

1.2.2 Symboly v dokumentaci

V této dokumentaci byly použity následující symboly:

	Před použitím si přečtěte návod k obsluze.
	Pokyny k používání a ostatní užitečné informace
	Zacházení s recyklovatelnými materiály
	Elektrické nářadí a akumulátory nevyhazujte do smíšeného odpadu.

1.2.3 Symboly na obrázcích

Na obrázcích jsou použity následující symboly:

	Tato čísla odkazují na příslušný obrázek na začátku tohoto návodu.
	Číslování udává pořadí pracovních kroků na obrázku a může se lišit od pracovních kroků v textu.
	Čísla pozic jsou uvedena na obrázku Přehled a odkazují na čísla z legendy v části Přehled výrobku .
	Tato značka znamená, že byste měli manipulaci s výrobkem věnovat zvláštní pozornost.

1.3 Symboly v závislosti na výrobku

1.3.1 Symboly na výrobku

Na výrobku mohou být použity následující symboly:

	Nářadí podporuje NFC technologii, která je kompatibilní se systémy iOS a Android.
	Použitá typová řada lithium-iontového akumulátoru Hilti . Řiďte se pokyny v kapitole Použití v souladu s určeným účelem .
	Akumulátor nikdy nepoužívejte jako úderové nářadí.
	Dbejte na to, aby akumulátor nespadl. Nepoužívejte akumulátor, který byl vystavený nárazu nebo je jinak poškozený.
Li-Ion	Lithium-iontový akumulátor
	Stojnosměrný proud
	Používejte ochranu zraku



1.4 Informace o výrobku

Výrobky jsou určeny pro profesionální uživatele a smí je obsluhovat, ošetřovat a provádět jejich údržbu pouze autorizovaný a instruovaný personál. Tento personál musí být speciálně informován o vyskytujících se nebezpečích, s nimiž by se mohl setkat. Výrobek a jeho pomůcky mohou být nebezpečné, pokud s nimi nesprávně zachází nevyškolený personál nebo pokud se nepoužívají v souladu s určeným účelem.

Typové označení a sériové číslo jsou uvedeny na typovém štítku.

- ▶ Poznamenejte si sériové číslo do následující tabulky. Údaje výrobku budete potřebovat při dotazech adresovaných našemu zastoupení nebo servisu.

Údaje o výrobku

Prostřihovač	SPN 6-A22
Generace:	01
Sériové číslo:	

1.5 Prohlášení o shodě

Prohlašujeme na výhradní zodpovědnost, že zde popsany výrobek je ve shodě s platnými směrnici a normami. Kopii prohlášení o shodě najdete na konci této dokumentace.

Technické dokumentace jsou uloženy zde:

Hilti Entwicklungsgesellschaft mbH | Zulassung Geräte | Hiltistraße 6 | 86916 Kaufering, DE

2 Bezpečnost

2.1 Všeobecné bezpečnostní pokyny pro elektrické nářadí

⚠ VAROVÁNÍ Přečtete si všechny bezpečnostní pokyny, instrukce, vyobrazení a technické údaje, které patří k tomuto elektrickému nářadí. Nedbalost při dodržování následujících instrukcí může mít za následek úraz elektrickým proudem, požár a/nebo těžká poranění.

Všechny bezpečnostní pokyny a instrukce uschovejte pro budoucí potřebu.

Pojem „elektrické nářadí“, používaný v bezpečnostních pokynech, se vztahuje na elektrické nářadí napájené ze sítě (se síťovým kabelem) nebo na elektrické nářadí napájené z akumulátoru (bez síťového kabelu).

Bezpečnost pracoviště

- ▶ **Pracoviště musí být čisté a dobře osvětlené.** Nepořádek nebo neosvětlená místa mohou vést k úrazům.
- ▶ **S elektrickým nářadím nepracujte v prostředí s nebezpečím výbuchu, kde se nacházejí hořlavé kapaliny, plyny nebo prach.** Elektrické nářadí jiskří; od těchto jisker se mohou prach nebo páry vznítit.
- ▶ **Při práci s elektrickým nářadím zabraňte přístupu dětem a jiným osobám na pracoviště.** Rozptylování pozornosti by mohlo způsobit ztrátu kontroly nad nářadím.

Elektrická bezpečnost

- ▶ **Síťová zástrčka elektrického nářadí musí odpovídat zásuvce. Zástrčka nesmí být žádným způsobem upravována. U elektrického nářadí s ochranným uzemněním nepoužívejte žádné adaptéry.** Neupravené zástrčky a odpovídající zásuvky snižují riziko úrazu elektrickým proudem.
- ▶ **Nedotýkejte se uzemněných povrchů, např. trubek, topení, sporáků a chladniček.** Při tělesném kontaktu s uzemněním hrozí zvýšené riziko úrazu elektrickým proudem.
- ▶ **Elektrické nářadí chraňte před deštěm a vlhkem.** Vniknutí vody do elektrického nářadí zvyšuje nebezpečí úrazu elektrickým proudem.
- ▶ **Síťový kabel používejte jen k tomu účelu, pro který je určený. Nepoužívejte ho zejména k nošení či zavěšování elektrického nářadí ani k vytažování zástrčky ze zásuvky. Síťový kabel chraňte před horkem, olejem, ostrými hranami a pohyblivými díly.** Poškozené nebo zamotané síťové kabely zvyšují riziko úrazu elektrickým proudem.
- ▶ **Pokud pracujete s elektrickým nářadím venku, používejte pouze takové prodlužovací kabely, které jsou vhodné i pro venkovní použití.** Použití prodlužovacího kabelu, který je vhodný pro venkovní použití, snižuje riziko úrazu elektrickým proudem.
- ▶ **Pokud se nelze vyvarovat provozu elektrického nářadí ve vlhkém prostředí, použijte proudový chránič.** Použití proudového chrániče snižuje riziko úrazu elektrickým proudem.

Bezpečnost osob

- ▶ **Bud'te pozorní, dávejte pozor na to, co děláte, a přistupujte k práci s elektrickým nářadím rozumně. Elektrické nářadí nepoužívejte, když jste unaveni nebo pod vlivem drog, alkoholu či léků.** Okamžitá nepozornost při práci s elektrickým nářadím může mít za následek vážná poranění.



- ▶ **Používejte osobní ochranné pomůcky a vždy noste ochranné brýle.** Používání osobních ochranných pomůcek, jako jsou dýchací maska proti prachu, bezpečnostní obuv s protiskluzovou podrážkou, ochranná helma nebo chrániče sluchu (podle druhu použití elektrického nářadí), snižuje riziko úrazu.
- ▶ **Zabraňte neúmyslnému uvedení do provozu. Před zapojením elektrického nářadí do sítě a/nebo vložením akumulátoru, před uchopením elektrického nářadí nebo jeho přenášením se ujistěte, že je vypnuté.** Držíte-li při přenášení elektrického nářadí prst na spínači nebo připojujete-li ho k síti zapnuté, může dojít k úrazu.
- ▶ **Dříve než elektrické nářadí zapnete, odstraňte seřizovací nástroje nebo klíč.** Nástroj nebo klíč ponechaný v otáčivém dílu nářadí může způsobit úraz.
- ▶ **Udržujte přirozené držení těla. Zaujměte bezpečný postoj a udržujte rovnováhu.** Tak si v nečekaných situacích zachováte lepší kontrolu nad výrobkem.
- ▶ **Noste vhodné oblečení. Nenoste volný oděv ani šperky. Vlasy, oděv a rukavice mějte v bezpečné vzdálenosti od pohybujících se dílů.** Volný oděv, šperky a dlouhé vlasy jimi mohou být zachyceny.
- ▶ **Pokud lze namontovat odsávání prachu nebo zařízení na zachycení prachu, zkontrolujte, zda jsou připojené a používají se správně.** Použitím odsávání prachu můžete snížit ohrožení vlivem prachu.
- ▶ **Nenechte se ukolébat falešným pocitem bezpečí a nepřekračujte bezpečnostní pravidla pro elektrické nářadí, i když jste po mnohonásobném použití s elektrickým nářadím dobře seznámeni.** Nepozorné jednání může ve zlomcích sekundy způsobit těžká zranění.

Použití elektrického nářadí a péče o něj

- ▶ **Nářadí nepřetěžujte. Pro danou práci použijte elektrické nářadí, které je pro ni určeno.** S vhodným elektrickým nářadím budete v dané výkonové oblasti pracovat lépe a bezpečněji.
- ▶ **Nepoužívejte elektrické nářadí s vadným spínačem.** Elektrické nářadí, které nelze zapnout nebo vypnout, je nebezpečné a musí se opravit.
- ▶ **Dříve než budete nářadí seřizovat, měnit jeho příslušenství nebo než ho odložíte, vytáhněte síťovou zástrčku ze zásuvky a/nebo vyjměte odnímatelný akumulátor.** Toto preventivní opatření zabrání neúmyslnému zapnutí elektrického nářadí.
- ▶ **Nepoužívané elektrické nářadí uchovávejte mimo dosah dětí. Nedovoľte, aby nářadí používaly osoby, které s ním nejsou seznámené nebo si nepřečetly tyto pokyny.** Elektrické nářadí je nebezpečné, když ho používají nezkušené osoby.
- ▶ **O elektrické nářadí a příslušenství se pečlivě starajte. Kontrolujte, zda pohyblivé díly bezvadně fungují a nevážnou, zda díly nejsou prasklé nebo poškozené tak, že by byla narušena funkce elektrického nářadí. Poškozené díly nechte před použitím nářadí opravit.** Mnoho úrazů má na svědomí nedostatečná údržba elektrického nářadí.
- ▶ **Řezné nástroje udržujte ostré a čisté.** Pečlivě ošetřované řezné nástroje s ostrými řeznými hranami méně vážnou a dají se lehčeji vést.
- ▶ **Elektrické nářadí, příslušenství, nástroje atd. používejte v souladu s těmito instrukcemi. Respektujte přítom pracovní podmínky a prováděnou činnost.** Použití elektrického nářadí k jinému účelu, než ke kterému je určeno, může být nebezpečné.
- ▶ **Rukojeti a plochy rukojetí udržujte suché, čisté a beze stop oleje a tuku.** Kluzké rukojeti a plochy rukojetí nedovolují bezpečné ovládání a kontrolu elektrického nářadí v nepředvídaných situacích.

Použití akumulátorového přístroje a péče o něj

- ▶ **Akumulátory nabíjejte pouze v nabíječkách, které jsou doporučeny výrobcem.** Při použití jiných akumulátorů, než pro které je nabíječka určena, hrozí nebezpečí požáru.
- ▶ **Elektrické nářadí používejte pouze s akumulátory, které jsou pro ně určeny.** Použití jiných akumulátorů může způsobit úraz nebo požár.
- ▶ **Nepoužívaný akumulátor neukládejte pohromadě s kancelářskými sponkami, mincemi, klíči, hřebíky, šrouby nebo s jinými drobnými kovovými předměty, které by mohly způsobit přemostění kontaktů.** Zkrat mezi kontakty akumulátoru může způsobit popáleniny nebo požár.
- ▶ **Při nesprávném použití může z akumulátoru vytéci kapalina. Zabraňte kontaktu s touto kapalinou. Při náhodném kontaktu opláchněte postižené místo vodou. Pokud kapalina vnikne do očí, vyhledejte také i lékaře.** Vytékající akumulátorová kapalina může způsobit podráždění pokožky nebo popáleniny.
- ▶ **Nepoužívejte poškozené nebo upravené akumulátory.** Poškozené nebo upravené akumulátory se mohou chovat nepředvídatelně a způsobit požár, výbuch nebo poranění.
- ▶ **Akumulátor nevystavujte ohni nebo vysokým teplotám.** Oheň nebo teploty přes 130 °C (265 °F) mohou způsobit explozi.
- ▶ **Dodržujte všechny instrukce pro nabíjení a nenabíjejte akumulátor nebo akumulátorové nářadí nikdy mimo rozsah teplot uvedený v návodu na obsluhu.** Špatné nabíjení nebo nabíjení mimo přípustný rozsah teplot může zničit akumulátor a zvýšit nebezpečí požáru.



Servis

- ▶ **Elektrické nářadí svěřujte do opravy pouze kvalifikovaným odborným pracovníkům, kteří mají k dispozici originální náhradní díly.** Tak zajistíte, že nářadí bude i po opravě bezpečné.
- ▶ **Nikdy neprovádějte údržbu poškozených akumulátorů.** Veškerou údržbu akumulátorů by měl provádět jen výrobce nebo autorizovaný zákaznický servis.

2.2 Pečlivé zacházení s akumulátorem a jeho používání

- ▶ Dodržujte zvláštní směrnice pro přepravu, skladování a provoz lithium-iontových akumulátorů.
- ▶ Akumulátory chraňte před vysokými teplotami, přímým slunečním zářením a ohněm.
- ▶ Akumulátory se nesmějí rozebírat, lisovat, zahřívát nad 80 °C ani pálit.
- ▶ Nepoužívejte a nenabíjejte akumulátory, které byly vystaveny nárazu, které spadly z větší výšky než jeden metr nebo jsou jinak poškozené. V tom případě vždy kontaktujte **Hilti servis**.
- ▶ Pokud je akumulátor příliš horký na dotek, může být vadný. Akumulátor položte na nehořlavé místo, na které je vidět, v dostatečné vzdálenosti od hořlavých materiálů. Nechte akumulátor vychladnout. Když je akumulátor i za hodinu stále příliš horký na dotek, je vadný. Kontaktujte **servis Hilti**.

2.3 Dodatečné bezpečnostní pokyny**Bezpečnost osob**

- ▶ Při práci s výrobkem noste ochranné rukavice. Nástroj se při práci zahřívá, hrozí nebezpečí popálení. Vznikající řezné hrany a kovové třísky mají ostré hrany, hrozí nebezpečí poranění.
- ▶ Dělejte pracovní přestávky a relaxační cvičení s prsty pro jejich lepší prokrvení.
- ▶ Používejte chrániče sluchu. Hluk může způsobit ztrátu sluchu.
- ▶ Neřežte výrobkem nad hlavou.

Elektrická bezpečnost

- ▶ Při časté práci s vodivými materiály nechte znečištěné nářadí v pravidelných intervalech kontrolovat servisem firmy Hilti. Prach usazený na povrchu nářadí, především z vodivých materiálů, nebo vlhkost mohou za nepříznivých podmínek vést k úrazu elektrickým proudem.
- ▶ Pravidelně čistěte ventilační štěrbinu elektrického nářadí. Ventilátor motoru vtahuje prach do nářadí pod kryt a tam může velké nahromadění kovového prachu ohrozit elektrickou bezpečnost.
- ▶ Před zahájením práce zkontrolujte např. pomocí detektoru kovů pracovní prostor, jestli neobsahuje skryté elektrické kabely, plynové a vodovodní trubky. Vnější kovové součásti nářadí se mohou dostat pod napětí, např. pokud byste omylem poškodili elektrické vedení.
- ▶ Neřežte obrobky, které by mohly vést napětí.

Bezpečnost pracoviště

- ▶ Pracovní prostor udržujte v čistotě. Kovové třísky jsou ostré a mohou poškrábat podlahu.

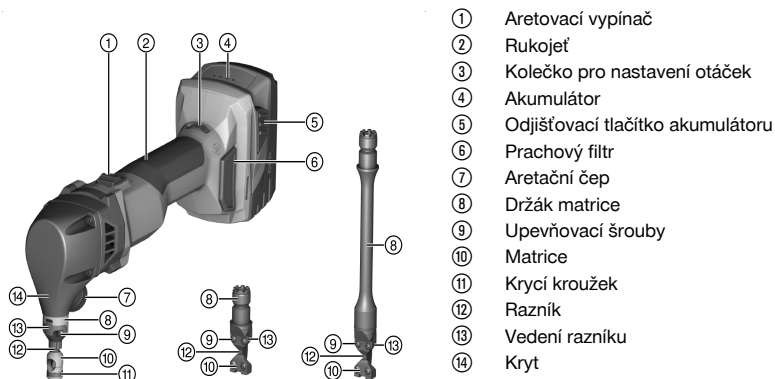
Pečlivé zacházení s elektrickým nářadím a jeho používání

- ▶ Výrobek zbavte třísek a nečistot. Dbejte na to, aby se při práci nedostaly do oblasti vypínač třísky. Třísky by mohly vypínač zablokovat a výrobek by nebylo možné vypnout.



3 Popis

3.1 Přehled výrobku



- ① Aretovací vypínač
- ② Rukojeť
- ③ Kolečko pro nastavení otáček
- ④ Akumulátor
- ⑤ Odjišťovací tlačítko akumulátoru
- ⑥ Prachový filtr
- ⑦ Aretační čep
- ⑧ Držák matrice
- ⑨ Upevňovací šrouby
- ⑩ Matrice
- ⑪ Krycí kroužek
- ⑫ Razník
- ⑬ Vedení razníku
- ⑭ Kryt

3.2 Použití v souladu s určeným účelem

Popsaný výrobek je ruční akumulátorový prostřihovač. Je určený k řezání deskových obrobků z razitelných materiálů, jako oceli, hliníku, barevných kovů a plastu, k rovnému a křivkovému prostřihování vnějších hran a vnitřních výřezů a dále k prostřihování podle nárysů. Při prostřihování vznikají nezkroutené řezné hrany. V závislosti na použitém nástroji jsou možná i další použití.

SPN-CN: Tento nástroj je navíc určený k řezání trubek, vlnitých plechů a prostřihování podle šablony. Díky dutému kruhovému razníku lze prostřihovač při práci na místě otočit a pokračovat v řezání v libovolném směru. Volitelně: SPN-RN a SPN-RL: Tyto nástroje jsou navíc určené k řezání profilových plechů, jako trapézového plechu, vlnitého plechu, kazetového plechu a zahnutých profilových lišt

- ▶ Pro tento výrobek používejte pouze lithium-iontové akumulátory **Hilti** typové řady B 22.
- ▶ Používejte pro tyto akumulátory pouze nabíječky **Hilti** řady C4/36.

3.3 Obsah dodávky

Prostřihovač, klíč Torx, návod k použití

Pro bezpečný provoz používejte pouze originální náhradní díly a spotřební materiál. Nami schválené náhradní díly, spotřební materiál a příslušenství pro svůj výrobek najdete v **Hilti Store** nebo na: www.hilti.group.



U výrobku byla před vyexpedováním otestována funkce. Přitom mohlo dojít k nepatrnému poškrábání povrchu nářadí o obrobek.

3.4 Ochrana nářadí závislá na teplotě

Ochrana motoru závislá na teplotě sleduje odběr proudu a zahřátí motoru, a chrání tak nářadí před přehřátím. Při přetížení motoru kvůli příliš vysokému přítlaku výkon nářadí ztuhne nebo může dojít k zastavení nářadí.

Dojde-li k zastavení nebo ke snížení otáček v důsledku přetížení, je nutné přerušit zatížení nářadí a nechat ho cca 30 sekund běžet naprázdno.

3.5 Ukazatel stavu nabití lithium-iontového akumulátoru

Stav nabití lithium-iontového akumulátoru se zobrazí po klepnutí na jedno ze dvou odjišťovacích tlačítek akumulátoru.

Stav	Význam
Svíí 4 LED.	Stav nabití: 75 % až 100 %
Svíí 3 LED.	Stav nabití: 50 % až 75 %
Svíí 2 LED.	Stav nabití: 25 % až 50 %



Stav	Význam
Svítil 1 LED.	Stav nabití: 10 % až 25 %
1 LED bliká.	Stav nabití: < 10 %

i Během práce a bezprostředně po jejím ukončení nelze stav nabití odečíst. Pokud blikají LED ukazatele stavu nabití akumulátoru, řiďte se pokyny v kapitole Pomoc při poruchách.

4 Technické údaje

Prostříhovač se sériově dodává s nástrojem SPN-CN. SPN-RN a SPN-RL lze zakoupit jako volitelné příslušenství.

	SPN-CN	SPN-RN	SPN-RL
Jmenovité napětí	21,6 V	21,6 V	21,6 V
Hmotnost podle EPTA Procedure 01 včetně akumulátoru B228.0	3,1 kg	3,0 kg	3,3 kg
Počet zdvihů při volnoběhu	620 ot/min ... 1 370 ot/min	620 ot/min ... 1 370 ot/min	620 ot/min ... 1 370 ot/min
Průměr výchozího otvoru	17 mm	24 mm	24 mm
Nejmenší poloměr u křivkových výřezů	4,0 mm	•/•	•/•
Poloměr	•/•	50 mm	50 mm
Šířka řezu	8,0 mm	5,0 mm	5,0 mm
Připustná tloušťka oceli do 400 N/mm²	2,0 mm / 14 Ga	2,0 mm / 14 Ga	2,0 mm / 14 Ga
Připustná tloušťka oceli do 600 N/mm²	1,5 mm / 16 Ga	1,5 mm / 16 Ga	1,5 mm / 16 Ga
Připustná tloušťka oceli do 800 N/mm²	1,0 mm / 20 Ga	1,0 mm / 20 Ga	1,0 mm / 20 Ga
Připustná tloušťka hliníku do 250 N/mm²	2,5 mm / 10 Ga	3,0 mm / 9 Ga	3,0 mm / 9 Ga

4.1 Akumulátor

Provozní napětí akumulátoru	21,6 V
Okolní teplota při provozu	-17 °C ... 60 °C
Skladovací teplota	-20 °C ... 40 °C
Teplota akumulátoru na začátku nabíjení	-10 °C ... 45 °C

4.2 Informace o hlučnosti a hodnoty vibrací podle EN 62841

Hodnoty akustického tlaku a vibrací uvedené v těchto pokynech byly změřeny normovanou měřicí metodou a lze je použít k vzájemnému srovnání elektrického nářadí. Jsou vhodné také pro předběžný odhad působení. Uvedené údaje reprezentují hlavní použití elektrického nářadí. Při jiném způsobu použití, při použití s jinými nástroji nebo nedostatečné údržbě se údaje mohou lišit. Působení během celé pracovní doby se tím může výrazně zvýšit.

Pro přesný odhad působení je potřeba brát v úvahu také dobu, kdy je nářadí vypnuté nebo sice běží, ale nepoužívá se. Působení během celé pracovní doby se tím může výrazně snížit.

Stanovte doplňující bezpečnostní opatření na ochranu pracovníka před působením hluku a/nebo vibrací, například: údržbu elektrického nářadí a nástrojů, udržování rukou v teple, organizace pracovních postupů.

Informace o hlučnosti

Typická hladina emitovaného akustického tlaku při použití váhového filtru A (L_{PA})	91 dB(A)
Nejistota pro hladinu akustického tlaku (K_{PA})	3 dB(A)
Typická hladina akustického výkonu při použití váhového filtru A (L_{WA})	102 dB(A)
Nejistota pro hladinu akustického výkonu (K_{WA})	3 dB(A)



Informace o vibracích

	SPN-CN	SPN-RN	SPN-RL
Triaxiální hodnota vibrací (a_v)	6,7 m/s ²	7,4 m/s ²	6,2 m/s ²
Nejistota (K)	1,5 m/s ²	1,5 m/s ²	1,5 m/s ²

5 Příprava práce

POZOR

Nebezpečí poranění při neúmyslném spuštění!

- ▶ Před nasazením akumulátoru zkontrolujte, zda je příslušný výrobek vypnutý.
- ▶ Před nastavováním nářadí nebo výměnou příslušenství vyjměte akumulátor.

Dodržujte bezpečnostní pokyny a varovná upozornění v této dokumentaci a na výrobku.

5.1 Nabíjení akumulátoru

1. Před nabíjením si přečtěte návod k obsluze nabíječky.
2. Dbejte na to, aby byly kontakty akumulátoru a nabíječky suché a čisté.
3. Akumulátor nabíjejte pomocí schválené nabíječky.

5.2 Nasazení akumulátoru

POZOR

Nebezpečí poranění při zkratu nebo padajícím akumulátorem!

- ▶ Před nasazením akumulátoru zkontrolujte, zda nejsou na kontaktech akumulátoru a výrobku cizí tělesa.
- ▶ Zajistěte, aby akumulátor vždy správně zaskočil.

1. Před prvním uvedením do provozu akumulátor úplně nabijte.
2. Nasadte akumulátor do držáku v nářadí tak, aby slyšitelně zaskočil.
3. Zkontrolujte, zda je akumulátor bezpečně usazený.

5.3 Vyjmutí akumulátoru

1. Stiskněte odjišťovací tlačítka akumulátoru.
2. Vytáhněte akumulátor z přístroje.

5.4 Nástroje

Vhodnou kombinaci nástroje a podkladu najdete na obrázku.

Vysvětlení k podkladům:

- A: plochý plech
- B: vlnitý plech
- C: trapézový plech (hloubka profilu max. 85 mm)
- D: trapézový plech (hloubka profilu max. 162 mm)

Pro řezání bez ořepů s nástroji SPN-RN a SPN-RL do plechu do tloušťky 1 mm lze použít matrici P1. Díky menší vůli řezu se sníží tvorba ořepů.

5.5 Demontáž nástroje

1. Šesti otáčkami proti směru hodinových ručiček povolte aretační čep.
2. Vytáhněte nástroj z nářadí.

5.6 Montáž nástroje

1. Namažte vedení razníku.
2. Zahákněte razník do drážky beranu.
3. Vyrovnějte směr řezání dopředu.
4. Nasadte nástroj se směrem řezání dopředu do nářadí.
5. Poté nastavte nástroj do požadovaného směru řezání.



6. Zašroubujte aretační čep po směru hodinových ručiček a ručně ho utáhněte.
 - ▶ Mezi krytem nářadí a držákem matrice nesmí být mezera.

5.7 Nastavení směru řezání

V případě potřeby lze směr řezání otočit doprava nebo doleva v krocích po 45°.

Tak můžete snadněji řezat profilové plechy a nastavit prostřihovač pro ovládání pravou nebo levou rukou.

1. Otočením o cca tři otáčky proti směru hodinových ručiček povolte aretační čep tak, aby již nebylo citelné zaaretování.
2. Povytáhněte nástroj z nářadí a otočte ho v požadovaném směru.
 - ▶ Je možný osm zaaretovaných poloh.
3. V požadované poloze zasuňte nástroj zpět do nářadí.
4. Zašroubujte aretační čep po směru hodinových ručiček a ručně ho utáhněte.
 - ▶ Mezi krytem nářadí a držákem matrice nesmí být mezera.

5.8 Nastavení počtu zdvihů

- ▶ Kolečkem pro nastavení otáček nastavte počet zdvihů.

6 Obsluha

Dodržujte bezpečnostní pokyny a varovná upozornění v této dokumentaci a na výrobku.

6.1 Zapnutí

1. Stiskněte zadní část vypínače.
2. Posuňte vypínač dopředu.
 - ▶ Motor běží.
3. Vypínač zaaretujte.

6.2 Řezání

VÝSTRAHA

Pozor Nebezpečí přetížení prostřihovače při tupých nástrojích!

- ▶ Pravidelně kontrolujte bříty razníku, zda nejsou opotřebené. Razník včas vyměňte, abyste šetřili prostřihovač.

1. Potřete místo řezu olejem, abyste prodloužili životnost razníku a zlepšili výsledek řezání.
2. Zapněte výrobek. → Strana 102
3. Po dosažení plných otáček přiblížte prostřihovač k obrobku.
 - ▶ U vnitřních výřezů vytvořte nejprve výchozí otvor vhodný pro použité nářadí.
4. Proveďte požadovaný řez.
5. Po dokončení řezu výrobek vypněte. Pokud řez končí v obrobku, zatáhněte zapnutý výrobek nejprve o několik milimetrů zpátky v řezu, teprve poté ho vypněte.



Prostřihovač nepokládejte do třisek, dokud se úplně nezastaví. Mohlo by dojít k nasátí třísek do motoru.

6.3 Řezání s šablonou

Volitelná možnost: SPN-CN

Při řezání s šablonou musí být splněné následující požadavky:

- Tloušťka šablony musí být 5–7 mm.
- Vzdálenost obrysu šablony od obrysu řezu musí činit 2,5 mm.
- Dodržujte minimální poloměr 4 mm. Minimální poloměr šablony tedy činí 6,5 mm.
- Prostřihovač se musí vést tak, aby vnější hrana vedení razníku vždy doléhala k šabloně.



6.4 Vypnutí

- ▶ Stiskněte zadní část vypínače.
 - ▶ Vypínač přeskočí do vypnuté polohy a motor se zastaví.

7 Volitelné příslušenství

7.1 Montáž vaku na třísky

Volitelná možnost: SPN-CN

Aby se třísky nekontrolovaně nerozptýlily, lze pro zachycení třísek namontovat vak na třísky.

1. Stiskněte k sobě oba konce pružiny ve vaku na třísky.
2. Nasadíte pružinu okolo dolního konce matrice a obě konce pružiny pusťte.
3. Zkontrolujte správné a pevné nasazení pružiny a vaku na třísky.

8 Ošetřování a údržba



VÝSTRAHA

Nebezpečí poranění při zasunutém akumulátoru !

- ▶ Před veškerým ošetřováním a údržbou vždy vyjměte akumulátor!

Péče o nářadí

- Opatrně odstraňte ulpívající nečistoty.
- Vyjměte prachový filtr a vyčistěte tento filtr a ventilační štěrbinu opatrně suchým kartáčem.
- Kryt čistěte pouze mírně navlhčeným hadrem. Nepoužívejte ošetřovací prostředky s obsahem silikonu, aby nedošlo k poškození plastových částí.

Péče o lithium-iontové akumulátory

- Akumulátor udržujte čistý a beze stop oleje a tuku.
- Kryt čistěte pouze mírně navlhčeným hadrem. Nepoužívejte ošetřovací prostředky s obsahem silikonu, aby nedošlo k poškození plastových částí.
- Zabraňte proniknutí vlhkosti.

Údržba

- Pravidelně kontrolujte všechny viditelné díly, zda nejsou poškozené, a ovládací prvky, zda správně fungují.
- V případě poškození a/nebo poruchy funkce výrobek nepoužívejte. Nechte ho ihned opravit v servisu **Hilti**.
- Po ošetřování a údržbě nasadte všechna ochranná zařízení a zkontrolujte funkci.



Pro bezpečný provoz používejte pouze originální náhradní díly a spotřební materiál. Námí schválené náhradní díly, spotřební materiál a příslušenství pro svůj výrobek najdete v **Hilti Store** nebo na: www.hilti.group.

8.1 Výměna razníku



Při každé výměně razníku také zkontrolujte, zda nejsou matrice, vedení razníku a opotřebitelná deska (nikoli u SPN-CN) opotřebené, a v případě potřeby je vyměňte.

1. Demontujte nástroj. → Strana 101
2. Vyjměte opotřebený razník z nářadí.
3. Nový razník a vedení razníku v nářadí namažte.



4. Pokud existuje následující výbava, proveďte navíc tuto činnost:

Volitelná možnost: SPN-RL

- ▶ Namontujte prodloužení beranu mezi beran a razník a namažte ho.

5. Namontujte nástroj. → Strana 101

8.2 Výměna matrice

Volitelná možnost: SPN-CN

1. Posuňte krycí kroužek z drážky nahoru.
2. Vhodným průbojníkem vytlačte válcový kolík.
3. Stáhněte matici z nosného kolíku.
4. Na nosný kolík nasadte novou matici.
5. Znovu namontujte válcový kolík.
6. Krycí kroužek posuňte dolů do drážky a zkontrolujte, zda je správně usazený.

8.3 Výměna vedení razníku

Volitelná možnost: SPN-CN

POZOR

Nebezpečí poškození výrobku a řezných nástrojů!

- ▶ Před namontováním upevňovacích šroubů vyčistěte závit.
- ▶ Vždy používejte dodané nové upevňovací šrouby a dodržujte uvedený utahovací moment.

1. Odmontujte matici. → Strana 104
2. Vyšroubujte upevňovací šrouby.
3. Sejměte vedení razníku.
4. Nasadte nové vedení razníku.
5. Našroubujte upevňovací šrouby s příslušným utahovacím momentem.

Technické údaje

Utahovací moment

3 Nm

6. Znovu namontujte matici.

8.4 Výměna matrice, vedení razníku a opotřebitelné desky

Volitelná možnost: SPN-RN

NEBO SPN-RL

POZOR

Nebezpečí poškození výrobku a řezných nástrojů!

- ▶ Před namontováním upevňovacích šroubů vyčistěte závit.
- ▶ Vždy používejte dodané nové upevňovací šrouby a dodržujte uvedený utahovací moment.

1. Vyšroubujte upevňovací šrouby.
2. Sejměte vedení razníku a matici.
3. Zkontrolujte opotřebitelnou desku, zda nevykazuje stopy opotřebení.

Výsledek

Pokud jsou viditelné zřetelné stopy opotřebení:

- ▶ Vyměňte opotřebitelnou desku a vyměňte ji za novou.
4. Vyčistěte dosedací plochy na uložení matrice.
 5. Vystřeďte vedení razníku a matici pomocí čepů.
 6. Ručně utáhněte upevňovací šrouby.
 7. Namažte vodící plochy vedení razníku.



8. Do kříže utáhněte upevňovací šrouby předepsaným utahovacím momentem.

Technické údaje	
Utahovací moment	3 Nm

9 Přeprava a skladování akumulátorového nářadí

Přeprava

POZOR

Neúmyslné spuštění při přepravě !

- ▶ Výrobky přepravujte vždy bez nasazených akumulátorů!
- ▶ Vyjměte akumulátory.
- ▶ Akumulátory nikdy nepřepravujte volně.
- ▶ Po delší přepravě nářadí a akumulátory před použitím zkontrolujte, zda nejsou poškozené.

Skladování

POZOR

Neúmyslné poškození vadnými nebo vyteklými akumulátory. !

- ▶ Výrobky skladujte vždy bez nasazených akumulátorů!
- ▶ Nářadí a akumulátory skladujte pokud možno v suchu a chladu.
- ▶ Akumulátory nikdy neskladujte na slunci, na topení nebo za sklem.
- ▶ Nářadí a akumulátory skladujte mimo dosah dětí a nepovolaných osob.
- ▶ Po delším skladování nářadí a akumulátory před použitím zkontrolujte, zda nejsou poškozené.

10 Pomoc při poruchách


V případě poruch, které nejsou uvedené v této tabulce nebo které nemůžete odstranit sami, se obraťte na náš servis **Hilti**.

10.1 Odstraňování poruch

Porucha	Možná příčina	Řešení
Akumulátor se vybíjí rychleji než obvykle.	Velmi nízká teplota prostředí.	▶ Nechte akumulátor pomalu zahřát na pokojovou teplotu.
Akumulátor nezaskočí se slyšitelným cvaknutím.	Zajišťovací výstupky na akumulátoru jsou znečištěné.	▶ Vyčistěte zajišťovací výstupky a znovu nasadte akumulátor.
1 LED bliká. Nářadí nefunguje.	Akumulátor je vybitý.	▶ Vyměňte akumulátor nebo vybitý akumulátor nabijte.
	Akumulátor je příliš studený nebo příliš horký.	▶ Nechte akumulátor pomalu zahřát nebo vychladnout na pokojovou teplotu.
Blikají všechny 4 LED. Nářadí nefunguje.	Nářadí je přetížené.	▶ Uvolněte ovládací spínač a znovu ho stiskněte. Potom nechte nářadí běžet cca 30 sekund na volnoběh.
Nářadí/akumulátor se silně zahřívají.	Elektrická závada.	▶ Nářadí okamžitě vypněte, vyjměte akumulátor, sledujte ho, nechte ho vychladnout a kontaktujte servis Hilti .
Nářadí nemá plný výkon.	Použili jste akumulátor s příliš malou kapacitou.	▶ Použijte akumulátor s dostatečnou kapacitou.
Klesající řezný výkon.	Opotřebovaný razník.	▶ Vyměňte razník. → Strana 103
Motor nebrzdí.	Akumulátor je vybitý.	▶ Vyměňte akumulátor nebo vybitý akumulátor nabijte.
	Nářadí je krátkodobě přetížené.	▶ Nářadí vypněte a znovu zapněte.



11 Likvidace

 Náradí **Hilti** je vyrobené převážně z recyklovatelných materiálů. Předpokladem pro recyklaci materiálů je jejich řádné třídění. V mnoha zemích odebírá **Hilti** staré náradí k recyklaci. Informujte se v servisu **Hilti** nebo u prodejního poradce.

Likvidace akumulátorů

V důsledku nesprávné likvidace akumulátorů může dojít k poškození zdraví unikajícími plyny nebo kapalinami.

- ▶ Poškozené akumulátory žádným způsobem neposílejte!
- ▶ Přípojky zakryjte nevodivým materiálem, abyste zabránili zkratu.
- ▶ Akumulátory zlikvidujte tak, aby se nemohly dostat do rukou dětem.
- ▶ Akumulátor odevzdejte k likvidaci v **Hilti Store** nebo se obraťte na příslušnou sběrnou odpadů.



- ▶ Nevyhazujte elektrické náradí, elektronická zařízení a akumulátory do smíšeného odpadu!

12 RoHS (směrnice o omezení používání nebezpečných látek)

Pod následujícím odkazem najdete tabulku s nebezpečnými látkami: qr.hilti.com/r10695220.

Odkaz na tabulku RoHS najdete na konci této dokumentace jako QR kód.

13 Záruka výrobce

- ▶ V případě otázek ohledně záručních podmínek se obraťte na místního partnera **Hilti**.

Originálny návod na obsluhu

1 Údaje k dokumentácii

1.1 O tejto dokumentácii

- Pred uvedením do prevádzky si prečítajte túto dokumentáciu. Je to predpoklad na bezpečnú prácu a bezproblémovú manipuláciu.
- Dodržujte bezpečnostné pokyny a varovania v tejto dokumentácii a na produkte.
- Tento návod na obsluhu uchovávajte vždy s výrobkom a ďalším osobám odovzdávajte výrobok iba s týmto návodom.

1.2 Vysvetlenie značiek

1.2.1 Výstražné upozornenia

Výstražné upozornenia varujú pred rizikami pri zaobchádzaní s výrobkom. Používajú sa nasledujúce signálne slová:



NEBEZPEČENSTVO

NEBEZPEČENSTVO !

- ▶ Na označenie bezprostredne hroziaceho nebezpečenstva, ktoré môže spôsobiť ťažký úraz alebo smrť.



VAROVANIE

VAROVANIE !

- ▶ Označenie možného hroziaceho nebezpečenstva, ktoré môže viesť k ťažkým poraneniam alebo usmrteniu.



POZOR

POZOR !

- ▶ Označenie možnej nebezpečnej situácie, ktorá môže viesť k telesným poraneniam alebo k vecným škodám.



1.2.2 Symboly v dokumentácii

V tejto dokumentácii sa používajú nasledujúce symboly:

	Pred použitím si prečítajte návod na obsluhu
	Upozornenia týkajúce sa používania a iné užitočné informácie
	Zaobchádzanie s recyklovateľnými materiálmi
	Elektrické zariadenia a akumulátory nevyhadzujte do komunálneho odpadu

1.2.3 Symboly na obrázkoch

Na vyobrazeniach sa používajú nasledujúce symboly:

	Tieto čísla odkazujú na príslušné vyobrazenie na začiatku tohto návodu
	Číslovanie udáva poradie pracovných úkonov na obrázku a môže sa odlišovať od číslovania pracovných úkonov v texte.
	Čísla pozícií sa používajú v obrázku Prehľad a odkazujú na čísla legendy v odseku Prehľad výrobkov .
	Tento symbol by mal u vás vzbudiť mimoriadnu pozornosť pri zaobchádzaní s výrobkom.

1.3 Symboly na výrobkoch

1.3.1 Symboly na výrobku

Na výrobku môžu byť použité nasledujúce symboly:

	Náradie podporuje NFC technológiu, ktorá je kompatibilná so systémami iOS a Android.
	Použitý typový rad lítiovo-iónového akumulátora HilTi . Riadte sa pokynmi v kapitole Používanie v súlade s určeným účelom .
	Akumulátor nikdy nepoužívajte ako nástroj na udieranie alebo zatĺkanie.
	Nenechajte akumulátor spadnúť. Nepoužívajte akumulátor, ktorý bol vystavený nárazu alebo je inak poškodený.
Li-Ion	Lítiovo-iónový akumulátor
	Jednosmerný prúd
	Používajte prostriedky na ochranu očí

1.4 Informácie o výrobku

Výrobky sú určené pre profesionálneho používateľa a smie ich obsluhovať, vykonávať údržbu a opravovať iba autorizovaný, vyškolený personál. Tento personál musí byť špeciálne poučený o vznikajúcich rizikách a nebezpečenstve. Výrobok a jeho pomocné prostriedky sa môžu stať zdrojom nebezpečenstva v prípade, že s nimi bude manipulovať personál bez vzdelania, neodborným spôsobom alebo ak sa nebudú používať v súlade s určením.

Typové označenie a sériové číslo sú uvedené na typovom štítku.

- Poznajte si sériové číslo do nasledujúcej tabuľky. Údaje výrobku budete potrebovať pri dopytoch adresovaných nášmu zastúpeniu alebo servisu.

Údaje o náradí

Prestrihovač	SPN 6-A22
Generácia:	01
Sériové číslo:	



1.5 Vyhlásenie o zhode

Na vlastnú zodpovednosť vyhlasujeme, že tu opísaný výrobok sa zhoduje s nasledujúcimi smernicami a normami. Vyobrazenie vyhlásenia o zhode nájdete na konci tejto dokumentácie.

Technické dokumentácie sú uložené tu:

Hilti Entwicklungsgesellschaft mbH | Zulassung Geräte | Hiltistraße 6 | 86916 Kaufering, DE

2 Bezpečnosť

2.1 Všeobecné bezpečnostné pokyny a upozornenia pre elektrické náradie

⚠ VÝSTRAHA Prečítajte si všetky bezpečnostné upozornenia, pokyny, obrázky a technické údaje týkajúce sa toto elektrického náradia. Nedbalosť pri dodržiavaní uvedených pokynov a pokynov môže mať za následok úraz elektrickým prúdom, požiar a/alebo závažné poranenia.

Všetky bezpečnostné upozornenia a pokyny si uschovajte pre budúcu potrebu.

Pojem "elektrické náradie" uvedený v bezpečnostných upozorneniach sa vzťahuje na sieťové elektrické náradie (náradie so sieťovým káblom) alebo na akumulátorové elektrické náradie (bez sieťového kábla).

Bezpečnosť na pracovisku

- ▶ **Na pracovisku udržiavajte čistotu a dbajte na dostatočné osvetlenie.** Neporiadok na pracovisku a neosvetlené časti pracoviska môžu viesť k úrazom.
- ▶ **Nepracujte s elektrickým náradím vo výbušnom prostredí, v ktorom sa nachádzajú horľavé kvapaliny, plyny alebo prach.** Elektrické náradie vytvára iskry, ktoré môžu spôsobiť vznietenie prachu alebo výparov.
- ▶ **Pri používaní elektrického náradia dbajte na bezpečnú vzdialenosť detí a iných osôb.** Pri odpuťaní pozornosti od práce môžete stratiť kontrolu nad náradím.

Elektrická bezpečnosť

- ▶ **Pripájacia zástrčka elektrického náradia musí byť vhodná do danej zásuvky. Zástrčka sa nesmie žiadnym spôsobom meniť či upravovať. Spolu s uzemneným elektrickým náradím nepoužívajte žiadne zástrčkové adaptéry.** Nezmenené zástrčky a vhodné zásuvky znižujú riziko úrazu elektrickým prúdom.
- ▶ **Zabráňte kontaktu tela s uzemnenými povrchmi ako sú rúry, radiátory alebo vykurovacie telesá, sporáky a chladničky.** Pri uzemnení vášho tela hrozí zvýšené riziko úrazu elektrickým prúdom.
- ▶ **Chráňte elektrické náradie pred dažďom či vlhkosťou.** Vniknutie vody do elektrického náradia zvyšuje riziko úrazu elektrickým prúdom.
- ▶ **Pripojovací kábel nepoužívajte na účely, na ktoré nie je určený, napr. na prenášanie, zavesenie elektrického náradia či na vyťahovanie zástrčky zo zásuvky. Pripojovací kábel držte v bezpečnej vzdialenosti od tepla, oleja, ostrých hrán alebo pohyblivých častí.** Poškodené alebo spletené pripojovacie káble zvyšujú riziko úrazu elektrickým prúdom.
- ▶ **Pri práci s elektrickým náradím vo vonkajšom prostredí používajte iba predĺžovacie káble vhodné aj do vonkajšieho prostredia.** Použitie predĺžovacieho kábla vhodného do vonkajšieho prostredia znižuje riziko úrazu elektrickým prúdom.
- ▶ **Pokiaľ sa nemožno vyhnúť prevádzkovaniu elektrického náradia vo vlhkom prostredí, použite prúdový chránič.** Použitie prúdového chrániča znižuje riziko úrazu elektrickým prúdom.

Bezpečnosť osôb

- ▶ **Pri práci buďte pozorní, dávajte pozor na to, čo robíte a pri práci s elektrickým náradím postupujte s rozvahou. Elektrické náradie nepoužívajte vtedy, keď ste unavení alebo pod vplyvom drog, alkoholu alebo liekov.** Aj moment nepozornosti pri používaní elektrického náradia môže viesť k závažným poraneniam.
- ▶ **Noste prostriedky osobnej ochrannéj výbavy a vždy používajte ochranné okuliare.** Nosenie osobnej ochrannéj výbavy, ako je maska proti prachu, bezpečnostná obuv s protišmykovou podrážkou, ochranná prilba alebo chrániče sluchu (podľa druhu a použitia elektrického náradia), znižuje riziko poranení.
- ▶ **Zabráňte neúmyselnému uvedeniu do prevádzky. Pred pripojením na elektrické napájanie a/alebo pripojením akumulátora, pred uchopením alebo prenášaním sa uistite, že elektrické náradie je vypnuté.** Ak máte pri prenášaní elektrického náradia prst na spínači alebo ak pripojíte zapnuté náradie na elektrické napájanie, môže to viesť k vzniku úrazov a nehôd.
- ▶ **Pred zapnutím elektrického náradia odstráňte z náradia nastavovacie nástroje alebo kľúče na skrutky.** Nástroj alebo kľúč v otáčajúcej sa časti náradia môže spôsobiť úrazy.
- ▶ **Vyhýbajte sa neprirodzenej polohe a držaniu tela. Pri práci zabezpečte stabilný postoj a neustále udržiavajte rovnováhu.** Budete tak môcť elektrické náradie v neočakávaných situáciách lepšie kontrolovať.



- ▶ **Noste vhodný odev. Nenoste voľný odev alebo šperky. Vlasy, odev a rukavice udržiavajte mimo pohybujuúcich sa dielov.** Voľný odev, šperky alebo dlhé vlasy sa môžu zachytiť o pohybujuce sa diely.
- ▶ **Ak je možné namontovať zariadenia na odsávanie a zachytávanie prachu, presvedčite sa, že tieto zariadenia sú pripojené a používajú sa správne.** Používanie zariadenia na odsávanie prachu môže znížiť ohrozenia spôsobené prachom.
- ▶ **Neuspokojte sa pocitom falošnej bezpečnosti a nekonajte v rozpore s bezpečnostnými pravidlami pre elektrické náradie, aj keď máte dostatok skúseností s používaním elektrického náradia.** Nedbalé konanie sa môže v zlomkoch sekundy zmeniť na ťažký úraz.

Používanie a starostlivosť o elektrické náradie

- ▶ **Náradie/zariadenie/prístroj nepreťažujte.** Používajte vhodné elektrické náradie určené na prácu, ktorú vykonávate. Vhodné elektrické náradie umožňuje lepšiu a bezpečnejšiu prácu v uvedenom rozsahu výkonu.
- ▶ **Elektrické náradie s poškodeným vypínačom nepoužívajte.** Náradie, ktoré sa nedá zapnúť alebo vypnúť je nebezpečné a treba ho dať opraviť.
- ▶ **Skôr než budete náradie nastavovať, meniť časti jeho príslušenstva alebo než ho odložíte, vytiahnite sieťovú zástrčku zo zásuvky a/alebo vyberte odnímateľný akumulátor.** Toto bezpečnostné opatrenie zabraňuje neúmyselnému spusteniu elektrického náradia.
- ▶ **Nepoužívané elektrické náradie odložte na miesto chránené pred prístupom detí. Nedovoľte používať náradie osobám, ktoré s ním nie sú oboznánené alebo si neprečítali tieto inštrukcie.** Elektrické náradie je pre neskúsených používateľov nebezpečné.
- ▶ **Elektrické náradie a príslušenstvo starostlivo udržiavajte. Skontrolujte, či pohyblivé časti náradia bezchybne fungujú a nezasekávajú sa, či nie sú niektoré časti zlomené alebo poškodené v takom rozsahu, že to ovplyvňuje fungovanie elektrického náradia. Poškodené časti dajte pred použitím náradia opraviť.** Mnohé úrazy sú zapríčinené nesprávnou a nedostatočne udržiavaným elektrickým náradím.
- ▶ **Rezacie nástroje udržiavajte ostré a čisté.** Starostlivo ošetrované rezacie nástroje s ostrými reznými hranami sa zasekávajú menej a ľahšie sa vedú.
- ▶ **Elektrické náradie, príslušenstvo, vkladacie nástroje atď. používajte v súlade s týmito pokynmi. Zohľadnite pri tom pracovné podmienky a vykonávanú činnosť.** Používanie elektrického náradia na iné než určené použitie môže viesť k nebezpečným situáciám.
- ▶ **Rukoväti a plochy udržiavajte suché, čisté a bez oleja alebo tuku.** Klzké rukoväti a plochy neumožňujú bezpečnú obsluhu a kontrolu elektrického náradia v nepredvídateľných situáciách.

Použitie a starostlivosť o akumulátorové náradie

- ▶ **Akumulátory nabíjajte len v nabíjačkách odporúčaných výrobcom.** Ak sa nabíjačka vhodná pre určitý druh akumulátorov používa s inými akumulátormi, hrozí riziko vzniku požiaru.
- ▶ **V elektrickom náradí používajte iba akumulátory, ktoré sú pre náradie určené.** Používanie iných akumulátorov môže viesť k úrazom a nebezpečenstvu požiaru.
- ▶ **Nepoužívaný akumulátor udržiavajte mimo dosahu kancelárskych sponiek, mincí, kľúčov, klincov, skrutiek alebo iných malých kovových predmetov, ktoré by mohli zapríčiniť premostenie kontaktov.** Skrat medzi kontaktmi akumulátora môže mať za následok vznik popálenín alebo požiaru.
- ▶ **Pri nesprávnom používaní môže z akumulátora unikať kvapalina. Zabráňte kontaktu s ňou. Pri náhodnom kontakte vykonajte opláchnutie vodou. Pri vniknutí kvapaliny do očí dodatočne vyhľadajte lekársku pomoc.** Kvapalina vytekajúca z akumulátora môže spôsobiť podráždenia pokožky alebo popáleniny.
- ▶ **Nepoužívajte poškodené alebo upravované akumulátory.** Poškodené alebo upravované akumulátory sa môžu správať nepredvídateľne a spôsobiť požiar, výbuch alebo zvýšiť riziko úrazu.
- ▶ **Akumulátor nevhadzujte do ohňa alebo ho nevystavujte vysokým teplotám.** Oheň alebo teploty nad 130 °C (265 °F) môžu spôsobiť výbuch.
- ▶ **Dodržujte všetky pokyny týkajúce sa nabíjania a akumulátor alebo akumulátorové náradie nenabíjajte mimo teplotného rozsahu uvedeného v prevádzkovom návode.** Nesprávne nabíjanie alebo nabíjanie mimo dovoleného teplotného rozsahu môže zničiť akumulátor alebo zvýšiť riziko požiaru.

Servis

- ▶ **Elektrické náradie nechajte opravovať iba kvalifikovaným odborným personálom a iba s použitím originálnych náhradných dielov.** Tým sa zabezpečí, že zostane zachovaná bezpečnosť náradia.
- ▶ **Nikdy nevykonávajte údržbu poškodených akumulátorov.** Akúkoľvek údržbu môže vykonávať len výrobca alebo autorizované servisné stredisko.



2.2 Starostlivé zaobchádzanie s akumulátormi a ich používanie

- ▶ Dodržiavajte osobitné smernice na prepravu, skladovanie a prevádzku lítium-iónových akumulátorov.
- ▶ Akumulátory udržiavajte mimo dosahu vysokých teplôt, priameho slnečného žiarenia a ohňa.
- ▶ Akumulátory sa nesmú rozoberať, stláčať, zahrievať nad 80 °C alebo spaľovať.
- ▶ Nepoužívajte alebo nenabíjajte akumulátory, ktoré boli zasiahnuté úderom, utrpeli pád z výšky viac ako jeden meter alebo boli iným spôsobom poškodené. V takom prípade vždy kontaktujte **Hilti servis**.
- ▶ Pokiaľ je akumulátor príliš horúci na dotyk, môže byť poškodený. Akumulátor umiestnite na viditeľné, nehorľavé miesto s dostatočnou vzdialenosťou od horľavých materiálov. Nechajte akumulátor vychladnúť. Pokiaľ je akumulátor po hodine stále príliš horúci na dotyk, je poškodený. Kontaktujte **servis** firmy **Hilti**.

2.3 Ďalšie bezpečnostné upozornenia

Bezpečnosť osôb

- ▶ Pri práci s náradím používajte ochranné rukavice. Pracovný nástroj sa pri používaní rozpáli, hrozí nebezpečenstvo popálenia. Rezné hrany a kovové triesky majú ostré hrany, hrozí nebezpečenstvo poranenia.
- ▶ Pre lepšie prekrvenie prstov si robte počas práce prestávky, ako aj cvičenia na uvoľnenie a cvičenia prstov.
- ▶ Používajte prostriedky na ochranu sluchu. Pôsobenie hluku môže spôsobiť stratu sluchu.
- ▶ S výrobkom nepracujte nad hlavou.

Elektrická bezpečnosť

- ▶ Znečistené náradie pri častom opracúvaní elektricky vodivých materiálov dajte v pravidelných intervaloch skontrolovať v servisnom stredisku Hilti. Prach zachytený na povrchu zariadenia, predovšetkým vodivými materiálmi, alebo vlhkosť môžu za nepriaznivých podmienok viesť k úrazu elektrickým prúdom.
- ▶ Pravidelne čistite štrbiny slúžiace na odvetrávanie vášho elektrického náradia. Ventilátor motora vŕtaje prach do krytu a intenzívne hromadenie kovového prachu môže spôsobiť riziko úrazu elektrickým prúdom.
- ▶ Pred začatím práce skontrolujte v pracovnej oblasti výskyt skrytých elektrických vedení, plynových a vodovodných potrubí, napr. pomocou detektora kovov. Vonkajšie kovové časti na náradí sa môžu stať vodivými, keď ste pri práci napríklad neúmyselne poškodili elektrické vedenie.
- ▶ Nerezte obrobky, ktoré by mohli byť pod napätím.

Bezpečnosť na pracovisku

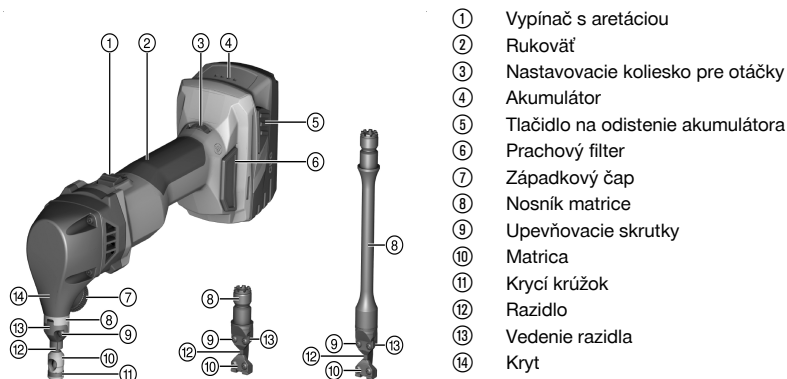
- ▶ Pracovnú oblasť udržiavajte v čistote. Kovové triesky sú ostré a môžu poškrabať podlahu.

Starostlivé zaobchádzanie a používanie elektrického náradia

- ▶ Postarajte sa o odstránenie triesok a nečistôt z náradia. Dávajte pozor, aby sa počas práce triesky nedostali do oblasti vypínača. Triesky by mohli vypínač zablokovať a náradie by sa nedalo vypnúť.

3 Opis

3.1 Prehľad výrobku



3.2 Používanie v súlade s určením

Opísaný výrobok je ručne vedený akumulátorový prestrihovač. Určený je na rezanie platňových obrobkov z prerážateľného materiálu, ako oceľ, hliník, farebný kov a plast, prestrihovanie alebo vystrihovanie rovnými alebo zakrivenými rezní a prestrihovanie podľa nárysu. Výsledkom opracovania prerezávačom sú nepokrútené rezné hrany. Podľa použitého pracovného nástroja sú možné ďalšie aplikácie.

SPN-CN: Tento pracovný nástroj sa navyše určený na rezanie rúr, opracovávanie vlnitého plechu a prerezávanie podľa šablóny. Vďaka okrúhlemu dutému razidlu sa prestrihovať môže pri práci na mieste otočiť a pokračovať v opracovaní ľubovoľným smerom.

Doplňkové príslušenstvo: SPN-RN a SPN-RL: Tieto pracovné nástroje sú navyše určené na rezanie profilových plechov, ako trapezový plech, vlnitý plech, kazetový plech a zahnuté profilové lišty.

- ▶ Pre tento výrobok používajte len lítiovo-iónové akumulátory **Hilti** typového radu B 22.
- ▶ Pre tieto akumulátory používajte len nabíjačky **Hilti** radu C4/36.

3.3 Rozsah dodávky

Prestrihovač, kľúč Torx, návod na obsluhu

Aby bola zaistená bezpečná prevádzka, používajte len originálne náhradné súčiastky a spotrebné materiály. Nami schválené náhradné súčiastky, spotrebné materiály a príslušenstvo pre váš výrobok nájdete vo vašom **Hilti Store** alebo na stránke: www.hilti.group



Funkčnosť výrobku bola pred odoslaním otestovaná. Obrobok mohol preto spôsobiť na povrchu výrobku malé škrabance.

3.4 Tepelná ochrana náradia

Ochrana motora závislá od teploty kontroluje príkon, ako aj zahrievanie motora a chráni náradie pred prehriatím.

Pri preťažení motora v dôsledku príliš veľkého prítlaku výrazne poklesne výkon náradia alebo môže dôjsť k zastaveniu náradia.

Ak dôjde k zastaveniu alebo zníženiu otáčok v dôsledku preťaženia, musíte náradie odľahčiť a cca 30 sekúnd prevádzkovať na voľnoběžných otáčkach.

3.5 Indikácia stavu nabitia lítiovo-iónového akumulátora

Stav nabitia lítiovo-iónového akumulátora sa zobrazí po dotknutí sa jedného z dvoch tlačidiel na odistenie akumulátora.

Stav	Význam
4 LED svietia.	Stav nabitia: 75 % až 100 %
3 LED svietia.	Stav nabitia: 50 % až 75 %
2 LED svietia.	Stav nabitia: 25 % až 50 %
1 LED svieti.	Stav nabitia: 10 % až 25 %
1 LED bliká.	Stav nabitia: < 10 %



Počas a bezprostredne po práci nie je možné zistiť stav nabitia. Pri blikajúcich LED indikácie stavu nabitia akumulátora dbajte, prosím, na rešpektovanie upozornení uvedených v kapitole pre pomoc v prípade porúch.

4 Technické údaje

Prestrihovač sa sériovo dodáva s pracovným nástrojom SPN-CN. SPN-RN a SPN-RL sú k dispozícii ako doplnkové príslušenstvo.

	SPN-CN	SPN-RN	SPN-RL
Menovité napätie	21,6 V	21,6 V	21,6 V
Hmotnosť podľa EPTA Procedure 01 vrátane akumulátora B22/8.0	3,1 kg	3,0 kg	3,3 kg
Počet zdvihov na voľnobehu	620 ot/min ... 1 370 ot/min	620 ot/min ... 1 370 ot/min	620 ot/min ... 1 370 ot/min



	SPN-CN	SPN-RN	SPN-RL
Priemer počiatočného otvoru	17 mm	24 mm	24 mm
Najmenší polomer pri zakrivených výrezoch	4,0 mm	•/•	•/•
Polomer	•/•	50 mm	50 mm
Šírka reznej stopy	8,0 mm	5,0 mm	5,0 mm
Povolená hrúbka materiálu ocel' do 400 N/mm ²	2,0 mm / 14 Ga	2,0 mm / 14 Ga	2,0 mm / 14 Ga
Povolená hrúbka materiálu ocel' do 600 N/mm ²	1,5 mm / 16 Ga	1,5 mm / 16 Ga	1,5 mm / 16 Ga
Povolená hrúbka materiálu ocel' do 800 N/mm ²	1,0 mm / 20 Ga	1,0 mm / 20 Ga	1,0 mm / 20 Ga
Povolená hrúbka materiálu hliník do 250 N/mm ²	2,5 mm/10 Ga	3,0 mm/9 Ga	3,0 mm/9 Ga

4.1 Akumulátor

Prevádzkové napätie akumulátora	21,6 V
Teplota okolia počas prevádzky	-17 °C ... 60 °C
Teplota pri skladovaní	-20 °C ... 40 °C
Teplota akumulátora na začiatku nabíjania	-10 °C ... 45 °C

4.2 Hodnoty hluku a vibrácií podľa EN 62841

Hodnoty akustického tlaku a vibrácií uvedené v tomto návode boli namerané podľa normovanej metódy merania a dajú sa využiť na vzájomné porovnávanie elektrického náradia. Sú vhodné aj na predbežný odhad pôsobení.

Uvedené údaje reprezentujú hlavné spôsoby použitia elektrického náradia. Ak sa však elektrické náradie používa na iné účely, s odlišnými vkladacími nástrojmi alebo nemá zabezpečenú dostatočnú údržbu, údaje sa môžu odlišovať. Tým sa môže podstatne zvýšiť miera pôsobenia v priebehu celého pracovného času.

Pri presnom odhadovaní pôsobení by sa mal zohľadniť aj čas, v priebehu ktorého bolo náradie buď vypnuté, alebo síce spustené, ale v skutočnosti sa nepoužívalo. Tým sa môže podstatne znížiť miera pôsobenia v priebehu celého pracovného času.

Prijmite dodatočné bezpečnostné opatrenia na ochranu obsluhujúcej osoby pred pôsobením hluku a/alebo vibrácií, ako sú napríklad: údržba elektrického náradia a vkladacích nástrojov, udržiavanie správnej teploty rúk, organizácia pracovných procesov.

Informácie o hlučnosti

Typická úroveň emisií akustického tlaku, hodnotená ako A (L_{pA})	91 dB(A)
Neistota pri hladine akustického tlaku (K_{pA})	3 dB(A)
Typická úroveň akustického výkonu, hodnotená ako A (L_{WA})	102 dB(A)
Neistota pri úrovni akustického výkonu (K_{WA})	3 dB(A)

Informácia o vibráciách

	SPN-CN	SPN-RN	SPN-RL
Triaxiálna hodnota vibrácií (a_h)	6,7 m/s ²	7,4 m/s ²	6,2 m/s ²
Neistota (K)	1,5 m/s ²	1,5 m/s ²	1,5 m/s ²

5 Príprava práce

POZOR

Nebezpečenstvo poranenia neúmyselným rozbehom!

- ▶ Pred vložením akumulátora sa uistite, že príslušný výrobok je vypnutý.
- ▶ Skôr než budete náradie nastavovať alebo meniť časti jeho príslušenstva, odstráňte akumulátor.

Dodržujte bezpečnostné pokyny a varovania v tejto dokumentácii a na produkte.



5.1 Nabíjanie akumulátora

1. Pred začatím nabíjania si prečítajte návod na používanie nabíjačky.
2. Dbajte, aby kontakty akumulátora a nabíjačky boli čisté a suché.
3. Akumulátor nabíjajte schválenou nabíjačkou.

5.2 Vloženie akumulátora

POZOR

Nebezpečenstvo poranenia skratom alebo pádom akumulátora!

- ▶ Pred vložením akumulátora zabezpečte, aby sa na kontaktoch akumulátora a na kontaktoch na výrobku nenachádzali cudzie telesá.
 - ▶ Zabezpečte, aby akumulátor vždy správne zapadol.
-
1. Pred prvým uvedením do prevádzky akumulátor úplne nabite.
 2. Vložte akumulátor do držiaka náradia tak, aby počuteľne zapadol.
 3. Skontrolujte, či je akumulátor bezpečne vložený.

5.3 Odstránenie akumulátora

1. Stlačte odblokovacie tlačidlá akumulátora.
2. Vytiahnite akumulátor z náradia.

5.4 Nástroje

Vhodnú kombináciu pracovného nástroja a podkladu nájdete na obrázku.

Vysvetlivky k podkladom:

- A: plochý plech
- B: vlnitý plech
- C: trapézový plech (hĺbka profilu max. 85 mm)
- D: trapézový plech (hĺbka profilu max. 162 mm)

Aby sa nástrojmi SPN-RN a SPN-RL dal v plechu hrúbky 1 mm vyhotoviť rez bez výronkov, môže sa použiť matrica P1. Malá vôľa v reze znižuje vytváranie výronkov.

5.5 Demontáž nástroja

1. Povoľte západkový čap šiestimi otočeniami proti smeru pohybu hodinových ručičiek.
2. Vytiahnite nástroj z náradia.

5.6 Montáž nástroja

1. Namastite vedenie razidla.
2. Zaveďte razidlo do drážky barana.
3. Nastavte smer rezania dopredu.
4. Zasuňte nástroj so smerom rezania dopredu do krytu.
5. Potom umiestnite nástroj do želaného smeru rezania.
6. Zaskrutkujte západkový čap v smere pohybu hodinových ručičiek a dotiahnite ho rukou.
 - ▶ Medzi krytom a nosníkom matrice nesmie byť škára.

5.7 Nastavenie smeru rezania

V prípade potreby sa môže smer rezania otočiť doprava alebo doľava o 45°.

Jednoduchšie sa tak dajú upravovať profilové plechy a nastaviť prestrihovač na ovládanie na pravej alebo ľavej strane.

1. Povoľte západkový čap asi tromi otočeniami proti smeru pohybu hodinových ručičiek tak, aby západka nebola viditeľná.
2. Vytiahnite mierne nástroj z krytu a otočte želaným smerom.
 - ▶ Možné sú tri západkové pozície.
3. Posuňte nástroj naspäť do krytu do želanej západkovej pozície.



4. Zaskrutkujte západkový čap v smere pohybu hodinových ručičiek a dotiahnite ho rukou.
 - ▶ Medzi krytom a nosníkom matrice nesmie byť škára.

5.8 Nastavenie počtu zdvihov

- ▶ Kolieskom na nastavenie otáčok nastavte počet zdvihov.

6 Obsluha

Dodržujte bezpečnostné pokyny a varovania v tejto dokumentácii a na produkte.

6.1 Zapnutie

1. Stlačte zadnú časť vypínača.
2. Vypínač posuňte dopredu.
 - ▶ Motor beží.
3. Vypínač zaaretujte.

6.2 Rezanie 5



VAROVANIE

Pozor Preťaženie prestrihovača tupými nástrojmi!

- ▶ Pravidelne kontrolujte ostrie razidla, či nie je opotrebované. Z dôvodu šetrenia prestrihovača razidlo včas vymeňte.

1. Reznú stopu natrite olejom, aby sa predĺžila životnosť razidla a aby sa zlepšil výsledok rezania.
2. Zapnite výrobok. → strana 114
3. Po dosiahnutí plných otáčok privedte prestrihovač k obrobku.
 - ▶ Pri vnútorných výrezov najprv vyhotovte počiatočný otvor podľa použitého nástroja.
4. Spracujte želanú líniu rezu.
5. Po dokončení rezu náradie vypnite. Ak rezná stopa končí v obrobku, potiahnite zapnuté náradie najprv niekoľko milimetrov naspäť do reznej stopy, až potom ho vypnite.



Prestrihovač nekladajte do triesok, kým sa celkom nezastaví. Motor by mohol triesky nasať.

6.3 Rezanie so šablónou 6

Voliteľná možnosť: SPN-CN

Rezanie so šablónou kladie nasledujúce požiadavky:

- Hrúbka šablóny musí byť 5 – 7 mm.
- Obrys šablóny musí byť vo vzdialenosti 2,5 mm od obrysu rezu.
- Dodržiavajte minimálny polomer 4 mm. Minimálny polomer šablóny je podľa toho 6,5 mm.
- Prestrihovač sa musí viesť tak, aby vonkajšia hrana vedenia razidla vždy priliehala na šablónu.

6.4 Vypnutie

- ▶ Stlačte zadnú časť vypínača.
 - ▶ Vypínač vyskočí do vypnutej polohy a motor sa zastaví.



7 Voliteľné príslušenstvo

7.1 Montáž vrečka na triesky

Voliteľná možnosť: SPN-CN

Aby triesky nevychádzali nekontrolovane, na ich zachytávanie sa môže namontovať vrečko.

1. Stlačte k sebe na obidvoch koncoch pružiny vo vrečku na triesky.
2. Položte pružinu okolo dolného konca matrice a konce pružiny uvoľnite.
3. Skontrolujte, či je umiestnenie pružiny a vrečka na triesky správne a pevné.

8 Starostlivosť a údržba/oprava

VAROVANIE

Nebezpečenstvo poranenia pri vloženom akumulátore !

- Pred akoukoľvek údržbou a opravami vždy vyberte akumulátor!

Starostlivosť o náradie

- Pevne zachytenú nečistotu opatrne odstráňte.
- Odstráňte prachový filter a filter a vetracie otvory opatrne vyčistite suchou kefkou.
- Kryt čistite len mierne navlhčenou handrou. Nepoužívajte prostriedky na ošetrovanie s obsahom silikónu, pretože môžu poškodiť plastové časti.

Starostlivosť o lítiovo-iónové akumulátory

- Akumulátor udržiavajte čistý a zbavený oleja a tuku.
- Kryt čistite len mierne navlhčenou handrou. Nepoužívajte prostriedky na ošetrovanie s obsahom silikónu, pretože môžu poškodiť plastové časti.
- Zabráňte vniknutiu vlhkosti.

Údržba a oprava

- Pravidelne kontrolujte všetky viditeľné časti a výskyt poškodení, ako aj bezchybné fungovanie ovládacích prvkov.
- V prípade poškodenia a/alebo poruchy funkcie výrobok nepoužívajte. Ihneď ho dajte opraviť v servise firmy **Hilti**.
- Po prácach spojených so starostlivosťou a udržiavaním náradia pripevnite všetky ochranné zariadenia a skontrolujte ich fungovanie.



Aby bola zaistená bezpečná prevádzka, používajte len originálne náhradné súčiastky a spotrebné materiály. Nami schválené náhradné súčiastky, spotrebné materiály a príslušenstvo pre váš výrobok nájdete vo vašom **Hilti Store** alebo na stránke: www.hilti.group.

8.1 Výmena razidla



Pri každej výmene razidla skontrolujte aj opotrebovanie matrice, vedenie razidla a opotrebovateľnú dosku (nie na SPN-CN) a v prípade potreby ich vymeňte.

1. Demontujte nástroj. → strana 113
2. Vyberte opotrebované razidlo z náradia.
3. Namastite nové razidlo a vedenie razidla v náradí.
4. Keď existuje nasledovná výbava, vykonajte navyše túto činnosť:

Voliteľná možnosť: SPN-RL

- Namontujte predĺženie barana medzi baranom a razidlom a namastite ho.
5. Namontujte nástroj. → strana 113



8.2 Výmena matrice 9

Voliteľná možnosť: SPN-CN

1. Posuňte krycí krúžok z drážky nahor.
2. Vytlačte von valcovitý kolík vhodným príbojníkom.
3. Stiahnite maticu z nosného kolíka.
4. Na nosný kolík nasadte novú maticu.
5. Valcovitý kolík znova namontujte.
6. Posuňte krycí krúžok nadol do drážky a skontrolujte, či je správne umiestnený.

8.3 Výmena vedenia razidla 10

Voliteľná možnosť: SPN-CN

POZOR

Nebezpečenstvo poškodenia výrobkom a rezným nástrojom!

- ▶ Pred montážou upevňovacích skrutiek vyčistite závit.
- ▶ Vždy používajte priložené nové upevňovacie skrutky a dodržiavajte predpísaný ťahovací moment.

1. Vymontujte maticu. → strana 116
2. Vymontujte upevňovacie skrutky.
3. Odoberte vedenie razidla.
4. Založte nové vedenie razidla.
5. Namontujte upevňovacie skrutky určeným krútiacim momentom.

Technické údaje

Ťahovací moment

3 Nm

6. Maticu opäť namontujte.

8.4 Výmena matrice, vedenia razidla a opotrebovateľnej dosky 11, 12

Voliteľná možnosť: SPN-RN
ALEBO SPN-RL

POZOR

Nebezpečenstvo poškodenia výrobkom a rezným nástrojom!

- ▶ Pred montážou upevňovacích skrutiek vyčistite závit.
- ▶ Vždy používajte priložené nové upevňovacie skrutky a dodržiavajte predpísaný ťahovací moment.

1. Vymontujte upevňovacie skrutky.
2. Odoberte vedenie razidla a maticu.
3. Skontrolujte opotrebovateľnú dosku, či nemá stopy opotrebovania.

Výsledok

Keď sú viditeľné zreteľné stopy opotrebovania:

- ▶ Odoberte opotrebovateľnú dosku a vymeňte ju za novú.
4. Vyčistite dosadacie plochy na uložení matrice.
 5. Vycentrujte vedenie razidla a maticu pomocou čapu.
 6. Namontujte rukou upevňovacie skrutky.
 7. Namastite vodiace plochy vedenia razidla.
 8. Dotiahnite upevňovacie skrutky na križ určeným krútiacim momentom.

Technické údaje

Ťahovací moment

3 Nm



9 Preprava a skladovanie akumulátorového náradia

Preprava



POZOR

Neúmyselné spustenie pri preprave !

- ▶ Produkty vždy prepravujte bez vložených akumulátorov!
- ▶ Vyberte akumulátory.
- ▶ Akumulátory nikdy neprepravujte voľne uložené.
- ▶ Prístroj a akumulátory po dlhšej preprave skontrolujte pred použitím, či nie sú poškodené.

Skladovanie



POZOR

Náhodné poškodenie spôsobené chybnými alebo vytekajúcimi akumulátormi !

- ▶ Produkty vždy skladujte bez vložených akumulátorov!
- ▶ Prístroj a akumulátory skladujte podľa možnosti v chlade a suchu.
- ▶ Akumulátory nikdy neskladujte na slnku, na vykurovacích telesách alebo za oknami.
- ▶ Prístroj a akumulátory skladujte na suchom mieste a mieste nedostupnom pre deti a nepovolane osoby.
- ▶ Prístroj a akumulátory po dlhšom skladovaní pred použitím skontrolujte, či nie sú poškodené.

10 Pomoc v prípade porúch

Pri výskyte takých porúch, ktoré nie sú uvedené v tejto tabuľke, alebo ktoré nedokážete odstrániť sami, sa obráťte na náš servis **Hilti**.

10.1 Poruchy a ich odstraňovanie

Porucha	Možná príčina	Riešenie
Akumulátor sa vybíja rýchlejšie ako zvyčajne.	Veľmi nízka teplota okolitého prostredia.	▶ Nechajte akumulátor pomaly zahriať na izbovú teplotu.
Akumulátor nezaskočí s počiteľným cvaknutím.	Zaskakovacie výčnelky na akumulátore sú znečistené.	▶ Očistite zaskakovacie výčnelky a znovu vložte akumulátor.
1 LED bliká. Náradie nefunguje.	Akumulátor je vybitý. Akumulátor je príliš studený alebo príliš horúci.	▶ Vymeňte akumulátor a vybitý akumulátor nabite. ▶ Nechajte akumulátor pomaly zahriať na izbovú teplotu, alebo ho nechajte ochladnúť.
Všetky 4 LED blikajú. Náradie nefunguje.	Náradie je preťažené.	▶ Uvoľnite ovládací spínač a opäť ho aktivujte. Potom nechajte náradie cca 30 sekúnd bežať na voľnobežných otáčkach.
Príliš veľké vytváranie tepla v náradí alebo v akumulátore.	Elektrická porucha	▶ Ihneď vypnite náradie, vyberte akumulátor, prezrite ho, nechajte ho ochladnúť a kontaktujte servis firmy Hilti .
Náradie nedosahuje plný výkon.	Vložený je akumulátor s nízkou kapacitou.	▶ Použite akumulátor s dostatočnou kapacitou.
Znižujúci sa rezací výkon	Razidlom opotrebované	▶ Vymeňte razidlo. → strana 115
Motor sa nezabrzdí.	Akumulátor je vybitý. Náradie je krátkodobo preťažené.	▶ Vymeňte akumulátor a vybitý akumulátor nabite. ▶ Vypnite a opäť zapnite náradie.

11 Likvidácia

Náradie značky **Hilti** je z veľkej časti vyrobené z recyklovateľných materiálov. Predpokladom na opakované využitie recyklovateľných materiálov je ich správne separovanie. V mnohých krajinách firma **Hilti** odobere vaše staré náradie na recykláciu. Opýtajte sa na to v zákazníckom servise firmy **Hilti** alebo u svojho obchodného poradcu.



Likvidácia akumulátorov

Neodborná likvidácia akumulátorov môže ohroziť zdravie unikajúcimi plynmi alebo kvapalinami.

- ▶ Poškodené akumulátory neposielajte!
- ▶ Prípojky zakryte nevodivým materiálom, aby ste zabránili skratom.
- ▶ Akumulátory likvidujte tak, aby sa nedostali do rúk detí.
- ▶ Akumulátor odovzdajte vo vašom **Hilti Store** alebo sa obráťte na príslušnú prevádzku na likvidáciu odpadu.



- ▶ Elektrické prístroje, elektronické zariadenia a akumulátory nedávajte do domáceho odpadu!

12 RoHS (smernica o obmedzení používania určitých látok v elektrických a elektronických zariadeniach)

Pod nasledujúcim odkazom nájdete tabuľku nebezpečných látok: qr.hilti.com/r10695220.

Odkaz na tabuľku RoHS nájdete na konci tejto dokumentácie ako QR kód.

13 Záruka výrobcu

- ▶ Ak máte akékoľvek otázky týkajúce sa záručných podmienok, obráťte sa, prosím, na vášho lokálneho partnera spoločnosti **Hilti**.

Eredeti használati utasítás**1 A dokumentáció adatai****1.1 A dokumentumról**

- Üzembe helyezés előtt olvassa el ezt a dokumentumot. Ez a biztonságos munkavégzés és a hibamentes kezelés előfeltétele.
- Vegye figyelembe a dokumentumban és a terméken található biztonsági utasításokat és figyelmeztetéseket.
- Ezt a használati utasítást mindig tárolja a termék közelében, és a gépet csak ezzel az utasítással együtt adja tovább harmadik személynek.

1.2 Jelmagyarázat**1.2.1 Figyelmeztetések**

A figyelmeztetések a termék használata során előforduló veszélyekre hívják fel a figyelmet. A következő figyelmeztetéseket használjuk:

 VESZÉLY**VESZÉLY !**

- ▶ Súlyos testi sérüléshez vagy halálhoz vezető közvetlen veszély esetén.

 FIGYELMEZTETÉS**FIGYELMEZTETÉS !**

- ▶ Ezzel a szóval hívjuk fel a figyelmet egy olyan lehetséges veszélyre, amely súlyos személyi sérüléshez vagy halálhoz vezethet.

 VIGYÁZAT**VIGYÁZAT !**

- ▶ Ezzel a szóval hívjuk fel a figyelmet egy lehetséges veszélyhelyzetre, amely személyi sérüléshez vagy anyagi kárhoz vezethet.

1.2.2 A dokumentációban használt szimbólumok

A következő szimbólumokat használjuk a jelen dokumentációban:



	Használat előtt olvassa el a használati utasítást
	Alkalmazási útmutatók és más hasznos tudnivalók
	Újrahasznosítható anyagokkal való bánásmód
	Az elektromos gépeket és akkukat ne dobja a háztartási szemétkébe

1.2.3 Az ábrákon használt szimbólumok

Az ábrákon a következő szimbólumokat használjuk:

	Ezek a számok a jelen utasítás elején található ábrákra vonatkoznak
	A számozás a munkalépések sorrendjét mutatja képekben, és eltérhet a szövegben található munkalépések számozásától
	Az áttekintő ábrában használt pozíciószámok a termék áttekintésére szolgáló szakasz jelmagyarázatában lévő számokra utalnak
	Ez a jel hívja fel a figyelmét arra, hogy a termék használata során különös odafigyeléssel kell eljárnia.

1.3 Termékhez kötődő szimbólumok

1.3.1 Szimbólumok a terméken

A terméken a következő szimbólumokat használhatjuk:

	A készülék NFC technológiás, iOS és Android platformokkal kompatibilis adatátvitelhez használható.
	A használt Hilti Li-ion akku típusorozata. Vegye figyelembe a Rendeltetésszerű használat fejezetben közölt adatokat.
	Az akkut soha ne használja ütoszerszámként.
	Ügyeljen arra, hogy ne ejtse le az akkut. Ne használjon olyan akkut, amelyet ütés ért vagy egyéb módon sérült.
Li-ion	Li-ion akku
	Egyenáram
	Viseljen védőszemüveget

1.4 Termékinformációk

A **HILTI** termékeket kizárólag szakember általi használatra szánták és a gépet csak engedéllyel rendelkező, szakképzett személy használhatja, javíthatja. Ezt a személyt minden lehetséges kockázati tényezőről tájékoztatni kell. A termék és tartozékai könnyen veszélyt okozhatnak, ha nem képzett személy dolgozik velük, vagy nem rendeltetésszerűen használják őket.

A típusjelölés és a sorozatszám a típustáblán található.

- ▶ Jegyezze fel a sorozatszámot a következő táblázatba. Amennyiben kérdéssel fordul a képviselőnközhöz vagy a szervizhez, szüksége lesz ezekre a termékadatokra.

Termékadatok

Rezgőolló	SPN 6-A22
Generáció:	01
Sorozatszám:	



1.5 Megfelelőségi nyilatkozat

Kizárólagos felelősségünk tudatában kijelentjük, hogy ez a termék megfelel az érvényben lévő irányelveknek és szabványoknak. A megfelelőségi nyilatkozat másolatát a dokumentáció végén találja.

A műszaki dokumentáció helye:

Hilti Entwicklungsgesellschaft mbH | Zulassung Geräte | Hiltistraße 6 | 86916 Kaufering, DE

2 Biztonság

2.1 Általános biztonsági tudnivalók az elektromos kéziszerszámokhoz

⚠ FIGYELMEZTETÉS Olvasson el minden biztonsági tudnivalót és utasítást, illusztrált anyagot és műszaki adatot, amelyet ehhez az elektromos kéziszerszámmal használnak. Az alábbi biztonsági tudnivalók és utasítások betartásának elmulasztása áramütéshez, tűzhez és/vagy súlyos testi sérüléshez vezethet.

Őrizzen meg minden biztonsági tudnivalót és utasítást a jövőbeni használathoz.

A biztonsági utasításokban használt „elektromos kéziszerszám” fogalom hálózatról üzemelő elektromos kéziszerszámokra (tápkábelrel együtt értve) és akkumulátoros elektromos kéziszerszámokra (tápkábel nélkül) vonatkozik.

Munkahelyi biztonság

- ▶ **Tartsa tisztán a munkahelyét és jól világítsa meg.** Rendetlen munkahelyek és megvilágítatlan munkaterületek balesetekhez vezethetnek.
- ▶ **Ne dolgozzon az elektromos kéziszerszámmal olyan robbanásveszélyes környezetben, ahol éghető folyadékok, gázok vagy porok vannak.** Az elektromos kéziszerszámok szikrákat bocsáthatnak ki, amelyek meggyújthatják a port vagy a gyúlékony gőzöket.
- ▶ **Tartsa távol a gyerekeket és az idegen személyeket a munkahelytől, ha az elektromos kéziszerszámot használja.** Ha elvonják a figyelmét a munkáról, könnyen elvesztheti az uralmát a berendezés felett.

Elektromos biztonsági előírások

- ▶ **Az elektromos kéziszerszám csatlakozódugójának illeszkednie kell a dugaszolóaljzatba. A csatlakozódugót semmilyen módon sem szabad megváltoztatni. Védőföldeléssel ellátott elektromos kéziszerszámokhoz ne használjon csatlakozóadaptert.** Az eredeti csatlakozódugó és a hozzá illeszkedő csatlakozóaljzat csökkenti az áramütés kockázatát.
- ▶ **Ne érjen hozzá földelt felületekhez, például csövekhez, fűtőtestekhez, tűzhelyekhez és hűtőszekrényekhez.** Az áramütés veszélye megnövekszik, ha a teste le van földelve.
- ▶ **Tartsa távol az elektromos kéziszerszámokat az esőtől és a nedvesség hatásaitól.** Ha víz hatol be az elektromos kéziszerszámba, az növeli az áramütés kockázatát.
- ▶ **Ne használja a csatlakozókábelt a rendeltetésétől eltérő célokra, vagyis az elektromos kéziszerszámot soha ne hordozza vagy akassza fel a kábelnél fogva, és soha ne húzza ki a hálózati csatlakozódugót a kábelnél fogva. Tartsa távol a csatlakozókábelt hőforrásoktól, olajtól, éles élektől és sarkaktól, mozgó alkatrészekről.** A sérült vagy összetekert csatlakozókábel növeli az áramütés kockázatát.
- ▶ **Ha az elektromos kéziszerszámmal szabadban dolgozik, akkor csak a szabadban való használatra engedélyezett hosszabbítókábelt használjon.** A kültérre is alkalmas hosszabbítókábel használata csökkenti az áramütés kockázatát.
- ▶ **Használjon hibaáram-védőkapcsolót, ha az elektromos kéziszerszám nedves környezetben történő üzemeltetése nem kerülhető el.** A hibaáram-védőkapcsoló használata csökkenti az áramütés kockázatát.

Személyi biztonsági előírások

- ▶ **Munka közben mindig figyeljen, ügyeljen arra, amit csinál, és meggondoltan dolgozzon az elektromos kéziszerszámmal. Ne használja az elektromos kéziszerszámot, ha fáradt, illetve ha kábítószer, alkohol vagy gyógyszer hatása alatt áll.** Az elektromos kéziszerszámmal végzett munka közben már egy pillanatnyi figyelmetlenség is komoly sérülésekhez vezethet.
- ▶ **Viseljen személyi védőfelszerelést, és mindig viseljen védőszemüveget.** Az elektromos kéziszerszám alkalmazásának megfelelő személyi védőfelszerelések, úgymint porvédő álarc, csúszásbiztos védőcipő, védősapka és fülvédő használata csökkenti a személyi sérülések kockázatát.
- ▶ **Kerülje az elektromos kéziszerszám akaratlan üzembe helyezését. Mielőtt az elektromos kéziszerszámot az elektromos hálózatra és/vagy az akkumulátorra csatlakoztatja, vagy felveszi, ill. szállítja, győződjön meg arról, hogy a gép ki van kapcsolva.** Ha az elektromos kéziszerszám



felemelése közben az újját a kapcsolón tartja, vagy ha a gépet bekapcsolt állapotban csatlakoztatja az áramforráshoz, az balesethez vezethet.

- ▶ **Az elektromos kéziszerszám bekapcsolása előtt feltétlenül távolítsa el a beállító szerszámokat vagy csavarkulcsokat.** Az elektromos kéziszerszám forgó részeiben felejtett beállító szerszám vagy csavarkulcs sérüléseket okozhat.
- ▶ **Kerülje el a normálistól eltérő testtartást.** Ügyeljen arra, hogy mindig biztosan álljon és megtartsa az egyensúlyát. Így az elektromos kéziszerszám felett váratlan helyzetekben is jobban tud uralkodni.
- ▶ **Viseljen megfelelő munkaruhát.** Ne viseljen bő ruhát vagy ékszereket. **Tartsa távol a haját, a ruháját és a kesztyűjét a mozgó részekről.** A bő ruhát, az ékszereket és a hosszú haját a mozgó alkatrészek magukkal ránthatják.
- ▶ **Ha az elektromos kéziszerszámra fel lehet szerelni a por elszívásához és összegyűjtéséhez szükséges berendezéseket, ellenőrizze, hogy azok megfelelő módon hozzá vannak kapcsolva a szerszámhoz, és rendeltetésüknek megfelelően működnek.** Porelszívó egység használata csökkenti a munka során keletkező por veszélyes hatását.
- ▶ **Ne ringassa magát hamis biztonságérzetbe, és ne hagyja figyelmen kívül az elektromos kéziszerszám biztonsági előírásait, akkor sem, ha az elektromos kéziszerszámot hosszú ideje használja, és ezáltal jól ismeri.** A figyelmetlen kezelés a másodperc tört része alatt súlyos sérülésekhez vezethet.

Az elektromos kéziszerszám használata és kezelése

- ▶ **Ne terhelje túl a gépet.** Munkájához csak az arra szolgáló elektromos kéziszerszámot használja. A megfelelő elektromos kéziszerszámmal a megadott teljesítménytartományon belül jobban és biztonságosabban lehet dolgozni.
- ▶ **Ne használjon olyan elektromos kéziszerszámot, amelynek a kapcsolója elromlott.** Egy olyan elektromos kéziszerszám, amelyet nem lehet sem be-, sem kikapcsolni, veszélyes, és meg kell javíttatni.
- ▶ **A gép beállítása, a tartozékok cseréje vagy a gép lehelyezése előtt húzza ki a csatlakozódugót a csatlakozóaljzatból és/vagy vegye ki a kivehető akkut a gépből.** Ez az elővigyázatossági intézkedés megátalolja a gép szándékolatlan üzembe helyezését.
- ▶ **A használaton kívüli elektromos kéziszerszámokat olyan helyen tárolja, ahol azokhoz gyerekek nem férhetnek hozzá.** Ne hagyja, hogy olyan személyek használják az elektromos kéziszerszámot, akik nem ismerik a szerszámot, vagy nem olvasták el ezt az útmutatót. Az elektromos kéziszerszámok veszélyesek, ha azokat gyakorlatlan személyek használják.
- ▶ **Mindig gondosan tartsa karban az elektromos kéziszerszámot és a tartozékokat.** Ellenőrizze, hogy a mozgó alkatrészek kifogástalanul működnek-e, nincsenek-e beszorulva, és nincsenek-e eltörve vagy megrongálódva olyan alkatrészek, amelyek hátrányosan befolyásolhatják az elektromos kéziszerszám működését. **Használat előtt javíttassa meg a gép megrongálódott alkatrészeit.** Sok esetben a rosszul karbantartott elektromos kéziszerszám az oka.
- ▶ **Tartsa tisztán és élesen a vágószerszámokat.** Az éles vágóélekkel rendelkező és gondosan ápolott vágószerszámok ritkábban élkelődnek be, és azokat könnyebben lehet vezetni és irányítani.
- ▶ **Az elektromos kéziszerszámokat, tartozékokat, betétszerszámokat stb. a jelen utasítások figyelembevételével használja.** Vegye figyelembe a munkafeltételeket és a kivitelezendő munka sajátosságait. Az elektromos kéziszerszám eredeti rendeltetésétől eltérő célokra való alkalmazása veszélyes helyzetekhez vezethet.
- ▶ **A markolatot és fogófelületeket tartsa száraz, tiszta, olaj- és zsírmentes állapotban.** A csúszós markolatok és fogófelületek nem teszik lehetővé az elektromos kéziszerszám biztonságos üzemeltetését és ellenőrzését az előre nem látható helyzetekben.

Akkumulátoros szerszám használata és kezelése

- ▶ **Az akkumulátort csak a gyártó által ajánlott töltőberendezésben töltsse fel.** Ha egy bizonyos akkumulátortípus feltöltésére szolgáló töltőberendezésben egy másik akkumulátort próbál feltölteni, tűz keletkezhet.
- ▶ **Az elektromos kéziszerszámban csak az ahhoz tartozó akkumulátort használja.** Más akkumulátorok használata személyi sérüléseket és tüzet okozhat.
- ▶ **Tartsa távol a használaton kívüli akkumulátort irodai kapcsoktól, pénzérméktől, kulcsoktól, szögektől, csavaroktól és más kisméretű fémtárgyaktól, amelyek áthidalhatják az érintkezőket.** Az akkumulátor érintkezői közötti rövidzárlat égési sérüléseket vagy tüzet okozhat.
- ▶ **Hibás alkalmazás esetén az akkumulátorból folyadék léphet ki.** Kerülje el az érintkezést a folyadékkal. Ha véletlenül mégis érintkezésbe került az akkumulátorfolyadékkal, azonnal öblítse le vízzel az érintett felületet. Ha a folyadék a szemébe jutott, keressen fel egy orvost. A kilépő akkumulátorfolyadék irritációkat vagy égéses bőrsérüléseket okozhat.
- ▶ **Ne használjon sérült vagy módosított akkut.** A sérült vagy módosított akku előre nem látható módon viselkedhetnek és tüzet, robbanást vagy sérülésveszélyt okozhatnak.



- ▶ **Az akkut ne tegye ki tűz és magas hőmérséklet hatásának.** A tűz és a 130 °C (265 °F) feletti hőmérséklet robbanást okozhat.
- ▶ **Kövesse a töltésre vonatkozó összes utasítást, és az akkut vagy akkus szerszámot soha ne töltsse a használati utasításban megadott hőmérséklet-tartományon kívül.** A nem megfelelő vagy a megengedett hőmérséklet-tartományon kívül történő töltés az akku meghibásodásához és tűzveszélyhez vezethet.

Szerviz

- ▶ **Az elektromos kéziszerszámot csak szakképzett személyzet javíthatja, kizárólag eredeti pótalkatrészek felhasználásával.** Ez biztosítja, hogy az elektromos kéziszerszám biztonságos maradjon.
- ▶ **Soha ne javítsa a sérült akkut.** Az akkuk javítását csak a gyártó által felhatalmazott ügyfélszolgálatok végezhetik.

2.2 Akkumulátoros készülékek gondos használata és kezelése

- ▶ Vegye figyelembe a Li-ion akkumulátorok szállítására, tárolására és üzemeltetésére vonatkozó különleges irányelveket.
- ▶ Tartsa távol az akkut a magas hőmérséklettől és a tűztől.
- ▶ Az akkut tilos szétszedni, összepréselni, 80 °C fölé hevíteni vagy elégetni.
- ▶ Ne használjon vagy töltsön olyan akkut, amelyet ütés ért, egy méternél magasabbról leeset, vagy más módon sérült. Ilyen esetben feltétlenül forduljon a **Hilti Szervizhez**.
- ▶ Ha érintésre túl forró az akku, akkor lehet, hogy meghibásodott. Állítsa az akkut egy látható, nem gyúlékony helyre, éghető anyagoktól elegendő távolságra. Hagyja lehűlni az akkut. Amennyiben egy óra elteltével még mindig túl forró az akku érintésre, akkor meghibásodott. Lépjen kapcsolatba a **Hilti Szervizzel**.

2.3 Kiegészítő biztonsági tudnivalók

Személyi biztonsági előírások

- ▶ Viseljen védőkesztyűt, ha a termékkel dolgozik. Használat közben a betétszerszám felforrósodik, ekkor égési sérülés veszélye áll fenn. A keletkező vágási élek és fémforgácsok élesek, ezért sérülésveszély áll fenn.
- ▶ Tartson munkaszüneteket, és végezzen lazító- és ujjgyakorlatokat ujjainak jobb vérellátása érdekében.
- ▶ Viseljen fülvédőt. A zaj halláskárosodáshoz vezethet.
- ▶ Ne használja a terméket fej fölötti munkavégzésre.

Elektromos biztonsági előírások

- ▶ A szennyezett, gyakran vezetőképes anyagokkal történt munkavégzés esetén ellenőriztesse bizonyos időközönként a gépet a Hilti Szervizzel. A gép felületére tapadó por, mindenekelőtt az elektromosan vezető anyagok pora, illetve a nedvesség kedvezőtlen körülmények között áramütéshez vezethet.
- ▶ Tisztítsa rendszeresen az elektromos kéziszerszám szellőzőnyílásait. A motor kompresszora port szív be a gépházba, a vastagon felgyülemlett fémport elektromos veszélyt okozhat.
- ▶ Ellenőrizze a munka megkezdése előtt a munkaterületet, pl. fémkeresővel, hogy nincsenek-e takart, fekvő elektromos vezetékek, gáz- és vízcsővek. A külső fémrészek feszültség alá kerülhetnek, amikor pl. véletlenül megsért egy elektromos vezetéket.
- ▶ Ne vágjon olyan munkadarabokat, amelyek feszültség alá kerülhetnek.

Munkahelyi biztonság

- ▶ Tartsa tisztán a munkaterületet. A fémszilánkok élesek, és felkarcolhatják a padlót.

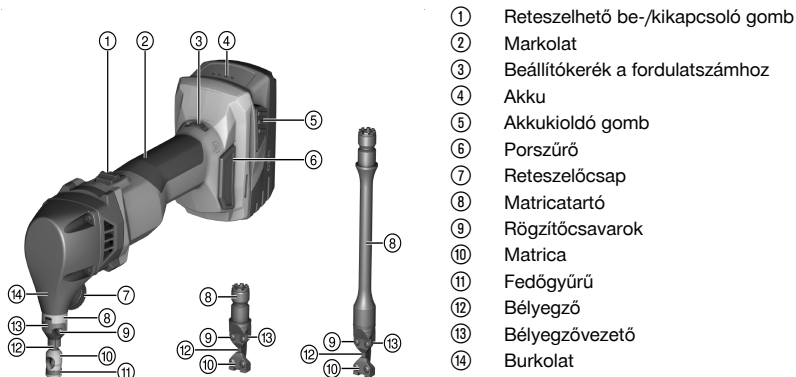
Az elektromos kéziszerszámok gondos kezelése és használata

- ▶ Győződjön meg róla, hogy a termék forgácsoló és szennyeződéstől mentes. Ügyeljen arra, hogy munkavégzés közben a tartományban ne kerüljenek forgácsok a be-/kikapcsoló közelébe. A forgácsok blokkolhatják a be-/kikapcsoló gombot, és a termék esetleg nem kapcsolható ki többé.



3 Leírás

3.1 Termékáttekintés



- ① Reteszelvehető be-/kikapcsoló gomb
- ② Markolat
- ③ Beállítókerék a fordulatszámhoz
- ④ Akku
- ⑤ Akkukioldó gomb
- ⑥ Porszűrő
- ⑦ Reteszelőcsap
- ⑧ Matricatartó
- ⑨ Rögzítőcsavarok
- ⑩ Matrica
- ⑪ Fedőgyűrű
- ⑫ Bélyegző
- ⑬ Bélyegzővezető
- ⑭ Burkolat

3.2 Rendeltetésszerű használat

A leírt termék egy kézzel vezetett akkus rezgőolló. Lemezalakú munkadarabok stancolható anyagokból, például acélból, alumíniumból, színesfémből és műanyagból történő kivágására, valamint egyenes és íves külső élek és belső kivágások rezgőollós készítésére, illetve minta mentén történő vágásra szolgál. A rezgőollós eljárás elfordítható és a megmunkálás tetszőleges irányban folytatható. Az alkalmazott betétszerszámától függően további alkalmazások lehetségesek.

SPN-CN: Ez a betétszerszám ezenkívül csövek darabolására, hullámlemezek megmunkálására, valamint sablonok rezgőollós megmunkálására szolgál. Az üreges kör alakú bélyegző révén a rezgőolló megmunkálás során helyben elfordítható és a megmunkálás tetszőleges irányban folytatható.

Opcionális: SPN-RN és SPN-RL: Ezek a betétszerszámok profillemezek, mint például trapézlemezek, hullámlemezek, kazettás lemezek és szögletes profilcékek darabolására szolgál.

- ▶ Ehhez a termékhez kizárólag **Hilti B 22** típusorozatú Li-ion akkumulátorokat használjon.
- ▶ Ehhez az akkuhoz kizárólag a C4/36 sorozatba tartozó **Hilti** töltőkészülékét használjon.

3.3 Szállítási terjedelem

Rezgőolló, Torx-kulcs, használati utasítás

A biztonságos üzemelés érdekében csak eredeti pótalkatrészeket és fogyóanyagokat használjon. Az általunk engedélyezett pótalkatrészeket, fogyóanyagokat és tartozékokat termékéhez megtalálja a **Hilti Store** helyeken vagy az alábbi címen: www.hilti.group



A termék működőképességét a kiszállítás előtt tesztelték. Ennek következtében a munkadarab minimálisan megkarcolhatta a gépház felületét.

3.4 Hőmérsékletfüggő gépvédelem

A hőmérsékletfüggő motorvédelem felügyeli az áramfelvételt, valamint a motor melegeledését, és ezzel védi a gépet a túlhevüléstől.

A túl nagy rászorító erőből származó motortúlterhelésnél a gép érezhetően leveszi a teljesítményt, vagy akár meg is állhat.

Ha a gép túlterhelés következtében leáll vagy csökkenti a fordulatszámot, tehermentesítse a gépet, és kb. 30 másodpercig üzemeltesse üresjáratú fordulatszámán.

3.5 A Li-ion akku töltöttségének kijelzője

A Li-ion töltöttségének állapota a két akkumulátor-kireteszelőgomb egyikének megkoppintásakor megjelenik a kijelzőn.



Állapot	Jelentés
4 LED világít.	Töltöttségi állapot: 75% és 100% között
3 LED világít.	Töltöttségi állapot: 50% és 75% között
2 LED világít.	Töltöttségi állapot: 25% és 50% között
1 LED világít.	Töltöttségi állapot: 10% és 25% között
1 LED villog.	Töltöttségi állapot: < 10%

i Munkavégzés közben és közvetlenül annak befejezését követően nem lehet lekérdezni a töltési állapotot. Az akkumulátor töltési állapotát kijelző LED-ek villogása esetén vegye figyelembe a Hibakeresés című fejezetben leírt tudnivalókat.

4 Műszaki adatok

Alapkvitelben a rezgőollót a betétszerszámmal SPN-CN együtt szállítjuk ki. SPN-RN és SPN-RL mint opcionális tartozék kapható.

	SPN-CN	SPN-RN	SPN-RL
Névleges feszültség	21,6 V	21,6 V	21,6 V
Az EPTA Procedure 01 szerinti tömeg B228.0 akkuval	3,1 kg	3,0 kg	3,3 kg
Löketszám üresjárat esetén	620 ford./perc ... 1 370 ford./perc	620 ford./perc ... 1 370 ford./perc	620 ford./perc ... 1 370 ford./perc
Indítási furatátmérő	17 mm	24 mm	24 mm
A legkisebb rádiusz ív alakú kivágásoknál	4,0 mm	•/•	•/•
Sugár	•/•	50 mm	50 mm
Vágási sáv szélessége	8,0 mm	5,0 mm	5,0 mm
Megengedett anyagvastagság acélban, max. 400 N/mm²	2,0 mm / 14 Ga	2,0 mm / 14 Ga	2,0 mm / 14 Ga
Megengedett anyagvastagság acélban, max. 600 N/mm²	1,5 mm / 16 Ga	1,5 mm / 16 Ga	1,5 mm / 16 Ga
Megengedett anyagvastagság acélban, max. 800 N/mm²	1,0 mm / 20 Ga	1,0 mm / 20 Ga	1,0 mm / 20 Ga
Megengedett anyagvastagság alumíniumban max. 250 N/mm²	2,5 mm / 10 Ga	3,0 mm / 9 Ga	3,0 mm / 9 Ga

4.1 Akku

Akku üzemi feszültsége	21,6 V
Környezeti hőmérséklet működés közben	-17 °C ... 60 °C
Tárolási hőmérséklet	-20 °C ... 40 °C
Akkuhőmérséklet a töltés kezdetekor	-10 °C ... 45 °C

4.2 Zajinformációk és rezgési értékek az EN 62841 szabvány szerint

A jelen útmutatókban megadott hangnyomás- és rezgésértékeket egy szabványosított mérési eljárás keretében mértük meg, és alkalmasak elektromos kéziszerszámok egymással történő összehasonlítására. Az értékek emellett alkalmasak az expozíció előzetes megbecslésére.

A megadott adatok az elektromos szerszám fő alkalmazási területeire vonatkoznak. Ha az elektromos kéziszerszámot más célra, eltérő betétszerszámokkal használják, vagy nem megfelelően tartják karban, akkor az adatok eltérőek lehetnek. Ez jelentősen megnövelheti az expozíciókat a munkaidő teljes időtartama alatt. Az expozíció pontos megbecsléséhez azokat az időszakokat is figyelembe kell venni, amikor a gépet lekapcsolták, vagy a gép ugyan működik, de ténylegesen nincs használatban. Ez jelentősen csökkentheti az expozíciókat a munkaidő teljes időtartama alatt.

Hozzon kiegészítő intézkedéseket a kezelő védelme érdekében a hang és/vagy a rezgés hatásai ellen, mint például: Elektromos kéziszerszámok és betétszerszámok karbantartása, a gépkezelő kezének melegen tartása, a munkafolyamatok megszervezése.



Zajinformációk

Jellemző A osztályú zajkibocsátás (L_{pA})	91 dB(A)
Hangnyomásszint bizonytalanság (K_{pA})	3 dB(A)
Jellemző A osztályú hangteljesítmény (L_{WA})	102 dB(A)
Hangteljesítményszint bizonytalanság (K_{WA})	3 dB(A)

Vibrációs értékek

	SPN-CN	SPN-RN	SPN-RL
Triaxiális rezgésgyorsulási érték (a_n)	6,7 m/s ²	7,4 m/s ²	6,2 m/s ²
Bizonytalanság (K)	1,5 m/s ²	1,5 m/s ²	1,5 m/s ²

5 A munkahely előkészítése

VIGYÁZAT

Sérülésveszély szándékolatlan elindulás miatt!

- ▶ Az akku behelyezése előtt győződjön meg arról, hogy a vonatkozó termék ki van kapcsolva.
- ▶ A gép beállítása vagy az alkatrészek cseréje előtt vegye ki az akkut.

Vegye figyelembe a dokumentumban és a terméken található biztonsági utasításokat és figyelmeztetéseket.

5.1 Az akku töltése

1. A töltés előtt olvassa el a töltőkészülék használati utasítását.
2. Ügyeljen arra, hogy az akku és a töltőkészülék érintkezői tiszták és szárazak.
3. Az akkut a megengedett töltőberendezésben töltsse fel.

5.2 Az akku behelyezése

VIGYÁZAT

Sérülésveszély rövidzárlat vagy leeső akku miatt!

- ▶ Az akku behelyezése előtt győződjön meg arról, hogy az akkuhoz és a termék érintkezőihez nem ér hozzá idegen tárgy.
- ▶ Győződjön meg arról, hogy az akku mindig megfelelően rögzül.

1. Az első üzembe helyezés előtt töltsse fel teljesen az akkut.
2. Helyezze az akkut a készüléktartóba, hogy az hallhatóan bereteszeljen.
3. Ellenőrizze az akku biztos illeszkedését.

5.3 Az akku eltávolítása

1. Nyomja meg az akku kioldógombjait.
2. Húzza ki az akkut a gépből.

5.4 Szerszámok

A betétszerszám és a felület megfelelő kombinációját lásd az ábrán.

A felületek ismertetése:

- A: lapos lemez
- B: hullámlemez
- C: trapézlemez (akár max. 85 mm profilmélység)
- D: trapézlemez (akár max. 162 mm profilmélység)

Annak érdekében, hogy az SPN-RN és SPN-RL szerszámokkal max. 1 mm vastagságú lemezben sorjamentes vágást lehessen készíteni, használható a P1 matrica. A csekély vágási játék csökkenti a sorjaképződést.

5.5 Szerszám kiszerezése

1. Oldja ki a reteszelőcsapot az óramutató járásával ellentétes irányban végzett hat elfordítással.
2. Húzza ki a szerszámot a házból.



5.6 Szerszám beszerelése

1. Zsírozza be a bélyegzővezetőt.
2. Akassza be a bélyegzőt az emelő hornyába.
3. Igazítsa be előrefelé a vágási irányt.
4. Dugja be a szerszámot a házba, a vágási irány előrefelé legyen.
5. Ezt követően helyezze be a szerszámot a kívánt vágási irányba.
6. Csavarja be a reteszelőcsapot az óramutató járásával megegyező irányban, majd húzza meg kézzel.
 - ▶ A ház és a matricatartó között ne legyen rés.

5.7 Vágási irány beállítása

Szükség esetén a vágási irány 45°-os lépésekben balra vagy jobbra fordítható.

Ezáltal egyszerűbben munkálhatja meg a profillemezeket, és beállíthatja jobb- vagy balkezes kezeléshez a rezgőollót.

1. Oldja ki a reteszelőcsapot az óramutató járásával ellentétes irányban kb. három fordulattal annyira, hogy a reteszelés ne legyen érezhető.
2. Húzza ki kissé a szerszámot a házból, majd fordítsa el a kívánt irányba.
 - ▶ Nyolc reteszelési helyzet lehetséges.
3. A kívánt reteszelési helyzetben tolja vissza a szerszámot a házba.
4. Csavarja be a reteszelőcsapot az óramutató járásával megegyező irányban, majd húzza meg kézzel.
 - ▶ A ház és a matricatartó között ne legyen rés.

5.8 Löketszám beállítása

- ▶ A beállítókerékkel állítsa be a löketszámot a fordulatszámnak megfelelően.

6 Üzemeltetés

Vegye figyelembe a dokumentumban és a terméken található biztonsági utasításokat és figyelmeztetéseket.

6.1 Bekapcsolás

1. Nyomja meg a be-/kikapcsoló gomb hátsó részét.
2. Nyomja előre a be-/kikapcsoló gombot.
 - ▶ A motor jár.
3. Reteszelve a be-/kikapcsoló gombot.

6.2 Vágás

FIGYELMEZTETÉS

Vigyázat A rezgőolló túlterhelése az életlen szerszámok miatt!

- ▶ Rendszeresen ellenőrizze a bélyegző vágóéleinek kopását. Cserélje ki időben a bélyegzőt a rezgőolló kímélése érdekében.

1. Kenje meg olajjal a vágási nyomot a bélyegző élettartamának növelése érdekében és a vágási eredmény javítására.
2. Kapcsolja be a terméket. → Oldal 126
3. Ha elérte a teljes fordulatszámot, akkor vezesse a rezgőollót a munkadarabhoz.
 - ▶ Belső kivágások esetén először készítsen egy, az alkalmazandó szerszámnak megfelelő indítófuratot.
4. Dolgozza meg a kívánt vágási vonalat.
5. A vágás befejezése után kapcsolja ki a terméket. Ha a vágási nyom a munkadarabban ér véget, akkor kikapcsolás előtt először húzza néhány milliméternyit hátra a bekapcsolt terméket a vágási nyomban.



Ne helyezze be a rezgőollót a forgács közé, amíg az teljesen le nem állt. A motor beszívhatja a forgácsdarabokat.



6.3 Vágás sablonnal

Opció: SPN-CN

A sablonnal történő vágás a következő követelményeket támasztja:

- A sablon vastagsága 5 - 7 mm legyen.
- A sablon kontúrja és a vágási kontúr közötti távolság 2,5 mm legyen.
- Vegye figyelembe a 4 mm-es minimális sugarat. Ennek megfelelően a sablon minimális sugara 6,5 mm.
- A rezgőollót úgy kell vezetni, hogy a bélyegzővezető külső éle mindig a sablonon legyen.

6.4 Kikapcsolás

- ▶ Nyomja meg a be-/kikapcsoló gomb hátsó részét.
 - ▶ A be-/kikapcsoló gomb KI pozícióba ugrik és a motor leáll.

7 Opcionális tartozék

7.1 Forgácsgyűjtő zsák felszerelése

Opció: SPN-CN

Annak érdekében, hogy a forgácsok ne kontrollálatlanul legyenek elosztva, a forgács gyűjtéséhez egy forgácsgyűjtő zsák szerelhető fel a berendezésre.

1. Nyomja meg a forgácsgyűjtő zsák rugóinak két végét.
2. Helyezze a rugókat a matrica alsó vége köré, majd engedje el a rugók végeit.
3. Ellenőrizze a rugók és a forgácsgyűjtő zsák előírás szerű és stabil helyzetét.

8 Ápolás és karbantartás



FIGYELMEZTETÉS

Sérülésveszély behelyezett akku esetén !

- ▶ Minden ápolási és karbantartási munka előtt vegye ki az akkut!

A gép ápolása

- Óvatosan távolítsa el a szilárdan tapadó szennyeződést.
- Távolítsa el a porszűrőt, majd egy száraz kefével óvatosan tisztítsa meg a szellőzőnyílással együtt.
- A házat csak enyhén nedves kendővel tisztítsa. Ne használjon szilikontartalmú ápolószert, mivel az károsíthatja a műanyag alkatrészeket.

A Li-ion akkuk ápolása

- Az akkut tartsa száraz, olaj- és zsírmentes állapotban.
- A házat csak enyhén nedves kendővel tisztítsa. Ne használjon szilikontartalmú ápolószert, mivel az károsíthatja a műanyag alkatrészeket.
- Kerülje a nedvesség behatolását.

Karbantartás


- Rendszeresen ellenőrizze a látható részeket sérülés, illetve a kezelőelemeket kifogástalan működés szempontjából.
- Sérülések és/vagy funkciózavar esetén ne működtesse a terméket. Azonnal javíttassa meg a **Hilti** Szervizben.
- Az ápolási és karbantartási munkák után minden védőfelszerelést szereljen fel, és ellenőrizze a gép működését.



A biztonságos üzemelés érdekében csak eredeti pótalkatrészeket és fogyóanyagokat használjon. Az általunk engedélyezett pótalkatrészeket, fogyóanyagokat és tartozékokat termékéhez megtalálja a **Hilti Store** helyeken vagy az alábbi címen: www.hilti.group.



8.1 Bélyegző cseréje

 A bélyegző minden egyes cseréje során ellenőrizze a matrica, a bélyegzővezető és a kopólemez kopását (kivéve SPN-CN), és szükség esetén cserélje ki ezeket is.

1. Szerelje ki a szerszámot. → Oldal 125
2. Vegye ki a kopott bélyegyet a szerszámból.
3. Zsírozza be az új bélyegyet és a bélyegzővezetőt a szerszámban.
4. Ha az alábbi felszereltség létezik, akkor ezt a műveletet is végezze el:

Opció: SPN-RL

- ▶ Szerelje fel az emelő és a bélyegző közötti emelőhosszabbítót, majd zsírozza be azt.

5. Szerelje be a szerszámot. → Oldal 126

8.2 Matrica cseréje

Opció: SPN-CN

1. Tolja ki felfelé a fedőgyűrűt a horonyból.
2. Megfelelő lyukasztóval nyomja ki a hengeres csapot.
3. Húzza le a matricát a tartócsapról.
4. Helyezze fel az új matricát a tartócsapra.
5. Szerelje vissza a hengeres csapot.
6. Tolja lefelé a fedőgyűrűt a horonyba, majd ellenőrizze az előírás szerű helyzetét.

8.3 Bélyegzővezető cseréje

Opció: SPN-CN

VIGYÁZAT

Sérülésveszély – termék és vágószerszámok!

- ▶ A rögzítőcsavarok behelyezése előtt tisztítsa meg a menetet.
- ▶ Mindig a termékkel együtt szállított új rögzítőcsavarokat használja, és vegye figyelembe a megadott meghúzási nyomatékokat.

1. A matrica leszerelése. → Oldal 128
2. Szerelje ki a rögzítőcsavarokat.
3. Vegye le a bélyegzővezetőt.
4. Helyezze fel az új bélyegzővezetőt.
5. Szerelje be a rögzítőcsavarokat az előírt nyomatékkal.

Műszaki adatok

Meghúzási nyomaték

3 Nm

6. Ismét szerelje fel a matricát.

8.4 Matrica, bélyegzővezető és kopólemez kopása

Opció: SPN-RN

VAGY SPN-RL

VIGYÁZAT

Sérülésveszély – termék és vágószerszámok!

- ▶ A rögzítőcsavarok behelyezése előtt tisztítsa meg a menetet.
- ▶ Mindig a termékkel együtt szállított új rögzítőcsavarokat használja, és vegye figyelembe a megadott meghúzási nyomatékokat.

1. Szerelje ki a rögzítőcsavarokat.
2. Vegye le a bélyegzővezetőt és a matricát.



3. Ellenőrizze a kopólemez kopási nyomait.

Eredmény

Ha egyértelmű kopásnyomok láthatók:

- ▶ Vegye ki a kopólemezt és cserélje ki egy újra.

4. Tisztítsa meg a matricát a felfekvési nyomait.

5. A csapokkal központoszza a bélyegzővezetőt és a matricát.

6. Csavarja be kézzel a rögzítőcsavarokat.

7. Zsírozza be a bélyegzővezető vezetőfelületeit.

8. Húzza meg átlósan a rögzítőcsavarokat a megadott forgatónyomatékkal.

Műszaki adatok	
Meghúzási nyomaték	3 Nm

9 Akkumulátoros gépek szállítása és tárolása

Szállítás

VIGYÁZAT

Nem szándékos indítás szállításkor !

- ▶ A terméket mindig behelyezett akku nélkül szállítsa.
- ▶ Vegye ki az akkukat.
- ▶ Az akkukat soha ne szállítsa ömlesztve.
- ▶ Hosszabb szállítást követően ellenőrizze az akkumulátor és a gép sértetlenségét a használatba vétel előtt.

Tárolás

VIGYÁZAT

Véletlen károsodás hibás vagy kifolyó akkuk miatt. !

- ▶ A terméket mindig behelyezett akku nélkül tárolja.
- ▶ Lehetőleg hűvös, száraz helyen tárolja a gépet és az akkut.
- ▶ Soha ne tárolja az akkut tűző napon, fűtőtesten vagy üveglap mögött.
- ▶ A gépet és az akkut száraz helyen, gyermekek, valamint illetéktelen személyek számára nem hozzáférhető módon tárolja.
- ▶ Hosszabb tárolást követően ellenőrizze az akkumulátor és a gép sértetlenségét a használatba vétel előtt.

10 Segítség zavarok esetén

Az ebben a táblázatban fel nem sorolt zavarok, illetve olyan zavarok esetén, amelyeket saját maga nem tud megjavítani, kérjük, forduljon a **Hilti** Szervizhez.

10.1 Hibakeresés

Üzemzavar	Lehetséges ok	Megoldás
Az akku a szokásosnál gyorsabban lemerül.	Nagyon alacsony környezeti hőmérséklet.	▶ Hagyja az akkut lassan szoba-hőmérsékletre felmelegedni.
Az akku nem rögzül hallható kattánással.	Az akku patentfülei szennyezettek.	▶ Tisztítsa meg a reteszeket, és helyezze be újra az akkut.
1 LED villog. A készülék nem működik.	Lemerült az akku.	▶ Cserélje ki az akkut, és töltsse fel a lemerült akkut.
	Az akku túl hideg vagy túl forró.	▶ Hagyja az akkut lassan szoba-hőmérsékletre felmelegedni vagy lehűlni.
Mind a 4 LED villog. A készülék nem működik.	A gép túlterhelt.	▶ Engedje el az indítókapcsolót, majd nyomja meg ismét. Hagyja a gépet kb. 30 másodpercig üresjáratban működni.



Üzemzavar	Lehetséges ok	Megoldás
Erős hőfejlődés a készülékben vagy az akkuban.	Elektromos hiba	▶ Kapcsolja ki azonnal a gépet, vegye ki az akkut, figyelje meg, hagyja lehűlni, majd lépjen kapcsolatba a Hilti Szervizzel.
A gép nem a teljes teljesítményen működik.	A behelyezett akku teljesítménye túl kicsi.	▶ Elegendő kapacitású akkut használjon.
Csökkenő vágóteljesítmény	Bélyegző elkopott	▶ Cserélje ki a bélyegzőt. → Oldal 128
A motor nem fékező.	Lemerült az akku.	▶ Cserélje ki az akkut, és töltsse fel a lemerült akkut.
	A gépet rövid ideig túlterhelés éri.	▶ Kapcsolja ki, majd újra be a gépet.

11 Ártalmatlanítás

A **Hilti** készülékek nagyrészt újrahasznosítható anyagokból készülnek. Az újrahasznosítás előtt az anyagokat gondosan szét kell válogatni. A **Hilti** sok országban már visszaveszi használt készülékét újrahasznosítás céljára. Kérdezze meg a **Hilti** ügyfélszolgálatot vagy kereskedelmi tanácsadóját.

Az akku ártalmatlanítása

Az akku szakszerűtlen ártalmatlanítás esetén a kilépő gázok és folyadékok miatt egészségkárosító hatás jöhet létre.

- ▶ Sérült akkut ne küldjön csomagküldő szolgálattal!
- ▶ A csatlakozókat nem vezető anyaggal fedje le a rövidzárlat elkerülése érdekében.
- ▶ Az akkukat úgy ártalmatlanítsa, hogy azok ne kerülhessenek gyermekek kezébe.
- ▶ Az akkut **Hilti Store**-ban ártalmatlanítsa, vagy forduljon az illetékes hulladéklerakóhoz.



- ▶ Az elektromos kéziszerszámokat, elektromos készülékeket és akkukat ne dobja a háztartási szeméttel!

12 RoHS (Veszélyes anyagok alkalmazásának korlátozásáról szóló irányelv)

A következő linken elérhető a veszélyes anyagok táblázata: qr.hilti.com/r/10695220.

A dokumentáció végén található QR-kódon keresztül elérhető a RoHS táblázat.

13 Gyártói garancia

- ▶ Kérjük, a garancia feltételeire vonatkozó kérdéseivel forduljon helyi **Hilti** partneréhez.

Перевод оригинального руководства по эксплуатации

1 Указания к документации

1.1 Об этом документе



Импортер и уполномоченная изготовителем организация

- (RU) Российская Федерация
АО "Хилти Дистрибьюшн ЛТД", 141402, Московская область, г. Химки, ул. Ленинградская, стр. 25
- (BY) Республика Беларусь
222750, Минская область, Дзержинский район, Р-1, 18-й км, 2 (около д. Слободка), помещение 1-34
- (KZ) Республика Казахстан
Республика Казахстан, индекс 050057, г. Алматы, ул. Тимирязева 42, павильон 15-9
Қазақстан Республикасы, 050057, Алматы қ., Тимирязев көшесі, 15-9 павильоны



- (AM) Республика Армения
ООО Эйч-Кон, Республика Армения, г. Ереван, ул. Бабааян 10/1

Страна производства: см. маркировочную табличку на оборудовании.

Дата производства: см. маркировочную табличку на оборудовании.

Соответствующий сертификат можно найти по адресу: www.hilti.ru

Специальных требований к условиям хранения, транспортировки и использования, кроме указанных в руководстве по эксплуатации, нет.

Срок службы изделия составляет 5 лет.

- Ознакомьтесь с этим документом перед началом работы. Это является залогом безопасной работы и бесперебойной эксплуатации.
- Соблюдайте указания по технике безопасности и предупреждающие указания, приводимые в данном документе и на изделии.
- Храните руководство по эксплуатации всегда рядом с электроинструментом и передавайте электроинструмент будущим владельцам только вместе с этим руководством.

1.2 Пояснение к знакам (условным обозначениям)

1.2.1 Предупреждающие указания

Предупреждающие указания служат для предупреждения об опасностях при обращении с машиной. Используются следующие сигнальные слова:

ОПАСНО

ОПАСНО !

- ▶ Общее обозначение непосредственной опасной ситуации, которая влечет за собой тяжелые травмы или смертельный исход.

ПРЕДУПРЕЖДЕНИЕ

ПРЕДУПРЕЖДЕНИЕ !

- ▶ Общее обозначение потенциально опасной ситуации, которая может повлечь за собой тяжелые травмы или смертельный исход.





ОСТОРОЖНО

ОСТОРОЖНО !

- ▶ Общее обозначение потенциально опасной ситуации, которая может повлечь за собой травмы или повреждение оборудования (материальный ущерб).


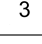

1.2.2 Символы, используемые в руководстве

В этом руководстве используются следующие символы:

	Перед использованием прочтите руководство по эксплуатации.
	Указания по эксплуатации и другая полезная информация
	Обращение с материалами, пригодными для вторичной переработки
	Не выбрасывайте электроустройства и аккумуляторы вместе с обычным мусором!

1.2.3 Символы на изображениях

На изображениях используются следующие символы:

	Эти цифры указывают на соответствующее изображение в начале данного руководства.
	Нумерация на изображениях отображает порядок выполнения рабочих операций и может отличаться от нумерации, используемой в тексте.
	Номера позиций используются в обзорном изображении. В обзоре изделия они указывают на номера в экспликации.





Этот знак должен привлечь особое внимание пользователя при обращении с изделием.

1.3 Символы в зависимости от изделия

1.3.1 Символы на изделии

На изделии могут использоваться следующие символы:

	Устройство поддерживает технологию NFC, совместимую с платформами iOS и Android.
	Серия используемых литий-ионных аккумуляторов Hilti. Соблюдайте указания, приведенные в главе Использование по назначению .
	Никогда не используйте аккумулятор в качестве ударного инструмента.
	Не допускайте падения аккумулятора. Не используйте аккумулятор, который получил повреждения вследствие удара или каким-либо иным образом.
Li-Ion	Литий-ионный аккумулятор
	Постоянный ток
	Используйте защитные очки!

1.4 Информация об изделии

Изделия предназначены для профессионального использования, поэтому они должны обслуживаться и ремонтироваться только уполномоченным и обученным персоналом. Этот персонал должен пройти специальный инструктаж по технике безопасности. Использование изделия и его оснстки не по назначению или его эксплуатация необученным персоналом могут представлять опасность.

Типовое обозначение и серийный номер указаны на заводской табличке.

- ▶ Перепишите серийный номер в нижеприведенную табличную форму. Данные изделия необходимы при обращении в наше представительство или сервисный центр.

Указания к изделию

Высечные ножницы	SPN 6-A22
Поколение:	01
Серийный номер:	

1.5 Декларация соответствия нормам

Настоящим мы с полной ответственностью заявляем, что данное изделие соответствует действующим директивам и нормам. Копию декларации соответствия нормам см. в конце этого документа.

Техническая документация (оригиналы) хранится здесь:

Hilti Entwicklungsgesellschaft mbH | Zulassung Geräte | Hiltistraße 6 | 86916 Kaufering, Германия

2 Безопасность

2.1 Общие указания по технике безопасности для электроинструментов

⚠ ПРЕДУПРЕЖДЕНИЕ Изучите все указания по технике безопасности, инструкции, иллюстрации и технические данные, которые прилагаются к данному электроинструменту. Несоблюдение приводимых ниже указаний может привести к поражению электрическим током, пожару и/или тяжелым травмам.

Сохраните все указания по технике безопасности и инструкции для следующего пользователя.

Используемый далее термин «электроинструмент» относится к электроинструменту, работающему от электрической сети (с кабелем электропитания) и от аккумулятора (без кабеля электропитания).



Безопасность рабочего места

- ▶ Следите за чистотой и хорошей освещенностью на рабочем месте. Беспорядок на рабочем месте или плохое освещение могут привести к несчастным случаям.
- ▶ Не используйте электроустройство/электроинструмент во взрывоопасной зоне, где имеются горючие жидкости, газы или пыль. При работе электроустройство/электроинструмент искрит, и искры могут воспламенить пыль или пары/газы.
- ▶ Не разрешайте детям и посторонним приближаться к работающему электроустройству/электроинструменту. Отвлекаясь от работы, можно потерять контроль над электроустройством/электроинструментом.

Электрическая безопасность

- ▶ Соединительная вилка электроинструмента должна соответствовать розетке электросети. Не изменяйте конструкцию вилки! Не используйте переходные вилки с электроинструментами с защитным заземлением. Использование оригинальных вилок и соответствующих им розеток снижает риск поражения электрическим током.
- ▶ Избегайте непосредственного контакта с заземленными поверхностями, например с трубами, отопительными приборами, газо-/электропластинами и холодильниками. При контакте с заземленными предметами возникает повышенный риск поражения электрическим током.
- ▶ Предохраняйте электроинструменты от дождя или воздействия влаги. В результате попадания воды в электроинструмент возрастает риск поражения электрическим током.
- ▶ Не используйте кабель электропитания не по назначению, например для переноски электроинструмента, его подвешивания или для выдергивания вилки из розетки электросети. Защищайте кабель электропитания от воздействий высоких температур, масла, острых кромок или вращающихся деталей/узлов. В результате повреждения или схлестывания кабелей электропитания повышается риск поражения электрическим током.
- ▶ Если работы с электроинструментом выполняются на открытом воздухе, применяйте только удлинительные кабели, которые разрешено использовать вне помещений. Использование удлинительного кабеля, пригодного для использования вне помещений, снижает риск поражения электрическим током.
- ▶ Если избежать работы с электроинструментом в условиях влажности не представляется возможным, используйте автомат защиты от тока утечки. Использование автомата защиты от тока утечки снижает риск поражения электрическим током.

Безопасность персонала

- ▶ Будьте внимательны, следите за своими действиями и серьезно относитесь к работе с электроинструментом. Не пользуйтесь электроинструментом, если вы устали или находитесь под действием наркотиков, алкоголя или медикаментов. Незначительная ошибка при невнимательной работе с электроинструментом может стать причиной серьезного травмирования.
- ▶ Используйте средства индивидуальной защиты и всегда надевайте защитные очки. Использование средств индивидуальной защиты, например респиратора, защитной обуви на нескользящей подошве, защитной каски или защитных наушников, в зависимости от вида и условий эксплуатации электроинструмента, снижает риск травмирования.
- ▶ Избегайте непреднамеренного включения электроинструмента. Убедитесь в том, что электроинструмент выключен, прежде чем подключить его к электропитанию и/или вставить аккумулятор, поднимать или переносить электроинструмент. Ситуации, когда при переноске электроинструмента палец находится на выключателе или когда включенный электроинструмент подключается к электросети, могут привести к несчастным случаям.
- ▶ Перед включением электроинструмента удалите регулировочные приспособления или гаечные ключи. Рабочий инструмент или гаечный ключ, находящийся во вращающейся части электроинструмента, может стать причиной получения травм.
- ▶ Старайтесь избегать неестественных поз при работе. Постоянно сохраняйте устойчивое положение и равновесие. Это позволит лучше контролировать электроинструмент в непредвиденных ситуациях.
- ▶ Носите спецодежду. Не надевайте очень свободную одежду или украшения. Оберегайте волосы, одежду и защитные перчатки от вращающихся узлов электроинструмента. Свободная одежда, украшения и длинные волосы могут быть захвачены ими.
- ▶ Если предусмотрено подсоединение устройств для удаления и сбора пыли, убедитесь в том, что они подсоединены и используются по назначению. Использование пылеудаляющего аппарата снижает вредное воздействие пыли.
- ▶ Не пребывайте в ложной уверенности в собственной безопасности и не пренебрегайте правилами техники безопасности для электроинструментов, даже если вы являетесь опытным



пользователем электроинструмента. Неосторожное обращение может в течение долей секунды стать причиной получения тяжелых травм.

Использование и обслуживание электроинструмента

- ▶ **Не допускайте перегрузки электроинструмента.** Используйте электроинструмент, предназначенный именно для данной работы. Соблюдение этого правила обеспечит более высокое качество и безопасность работы в указанном диапазоне мощности.
- ▶ **Не используйте электроинструмент с неисправным выключателем.** Электроинструмент, включение или выключение которого затруднено, представляет опасность и должен быть отремонтирован.
- ▶ **Прежде чем приступить к регулировке электроинструмента, замене принадлежностей или перед перерывом в работе выньте вилку из розетки и/или аккумулятор из электроинструмента.** Данная мера предосторожности позволит предотвратить непреднамеренное включение электроинструмента.
- ▶ **Храните неиспользуемые электроинструменты в местах, недоступных для детей. Не позволяйте использовать электроинструмент лицам, которые не ознакомлены с ним или не читали эти инструкции.** Электроинструменты представляют собой опасность в руках неопытных пользователей.
- ▶ **Бережно обращайтесь с электроинструментами и принадлежностями. Проверяйте безупречное функционирование подвижных частей, легкость их хода, целостность и отсутствие повреждений, которые могли бы отрицательно повлиять на работу электроинструмента. Сдавайте поврежденные части электроинструмента в ремонт до его использования.** Причиной многих несчастных случаев является несоблюдение правил технического обслуживания электроинструментов.
- ▶ **Необходимо следить за тем, чтобы режущие инструменты были острыми и чистыми.** Заклинивание содержащихся в надлежащем состоянии режущих инструментов происходит реже, ими легче управлять.
- ▶ **Применяйте электроинструмент, принадлежности (оснастку), рабочие инструменты и т. д. согласно данным указаниям. Учитывайте при этом рабочие условия и характер выполняемой работы.** Использование электроинструментов не по назначению может привести к опасным ситуациям.
- ▶ **Замасленные рукоятки и поверхности для хвата немедленно очищайте — они должны быть сухими и чистыми.** Скользкие рукоятки и поверхности для хвата не обеспечивают безопасное управление и контроль электроинструмента в непредвиденных ситуациях.

Использование и обслуживание аккумуляторного инструмента

- ▶ **Заряжайте аккумуляторы только с помощью зарядных устройств, рекомендованных изготовителем.** При использовании зарядного устройства для зарядки несоответствующих ему типов аккумуляторов существует опасность возгорания.
- ▶ **Используйте только оригинальные аккумуляторы, рекомендованные специально для этого электроинструмента.** Использование других аккумуляторов может привести к травмам и опасности возгорания.
- ▶ **Неиспользуемые аккумуляторы храните вдали от скрепок, монет, ключей, гвоздей, шурупов или других мелких металлических предметов, которые могут стать причиной замыкания контактов.** Замыкание контактов аккумулятора может привести к ожогам или возгоранию.
- ▶ **При неверном обращении с аккумулятором из него может вытечь электролит. Избегайте контакта с ним. При случайном контакте смойте водой. При попадании электролита в глаза немедленно обратитесь за помощью к врачу.** Вытекший из аккумулятора электролит может привести к раздражению кожи или ожогам.
- ▶ **Не используйте поврежденный или измененный аккумулятор.** Поврежденные или измененные аккумуляторы могут функционировать непредсказуемо и стать причиной возгорания, взрыва или травмирования.
- ▶ **Не подвергайте аккумулятор воздействию огня или слишком высоких температур.** Огонь или температура свыше 130 °C могут спровоцировать взрыв аккумулятора.
- ▶ **Соблюдайте все указания по зарядке и никогда не заряжайте аккумулятор или аккумуляторный инструмент вне температурного диапазона, указанного в руководстве по эксплуатации.** Неправильная зарядка/зарядка вне указанного в руководстве по эксплуатации температурного диапазона могут привести к разрушению аккумулятора и повышают опасность возгорания.

Сервис

- ▶ **Доверяйте ремонт своего электроинструмента только квалифицированному персоналу, использующему только оригинальные запчасти.** Этим обеспечивается поддержание электроинструмента в безопасном состоянии.



- ▶ **Категорически запрещается выполнять обслуживание поврежденных аккумуляторов.** Все технические работы с аккумуляторами должны выполняться только производителем или авторизованными сервисными мастерами.

2.2 Аккуратное обращение с аккумуляторами и их правильное использование

- ▶ Соблюдайте специальные предписания по транспортировке, хранению и эксплуатации литий-ионных аккумуляторов.
- ▶ Храните аккумуляторы на безопасном расстоянии от источников высокой температуры/огня и не подвергайте их прямому воздействию солнечного излучения.
- ▶ Запрещается разбирать, сдавливать, нагревать до температуры свыше 80 °C или сжигать аккумуляторы.
- ▶ Не используйте или не заряжайте аккумуляторы, которые подвергались ударам, падали с высоты более одного метра или получили какие-либо иные повреждения. При возникновении такой ситуации всегда обращайтесь в ближайший **сервисный центр Hilti**.
- ▶ Слишком сильный нагрев аккумулятора (такой, что до него невозможно дотронуться) указывает на его возможный дефект. Разместите аккумулятор на безопасном расстоянии от воспламеняющихся материалов в хорошо просматриваемом и пожаробезопасном месте. Дайте остыть аккумулятору. Если по истечении одного часа аккумулятор все еще остается таким горячим, что его нельзя взять в руки, это означает, что он неисправен. Свяжитесь с сервисной службой **Hilti**.

2.3 Дополнительные указания по технике безопасности

Безопасность персонала

- ▶ При выполнении работ с изделием надевайте защитные перчатки. Рабочий инструмент при резке сильно нагревается — опасность получения ожогов! Кромки реза и металлическая стружка, образующиеся во время резки, имеют острые грани — опасность травмирования!
- ▶ Чтобы во время работы не затекали руки, время от времени делайте упражнения для расслабления и разминки пальцев.
- ▶ Надевайте защитные наушники. В результате воздействия шума возможна потеря слуха.
- ▶ Не работайте с изделием над головой.

Электрическая безопасность

- ▶ При частой обработке токопроводящих материалов изделие загрязняется, поэтому его следует регулярно сдавать в сервисный центр Hilti для проверки. При неблагоприятных условиях влага и пыль, скапливающиеся на поверхности изделия (особенно от токопроводящих материалов), могут вызвать удар электрическим током.
- ▶ Регулярно очищайте вентиляционные прорези изделия. Повышенная концентрация металлической пыли, засасываемой в корпус двигателя, может создать опасность поражения электрическим током.
- ▶ Перед началом работы проверяйте рабочее место на наличие скрытой электропроводки, газо- и водопроводных труб, например, с помощью металлоискателя. Открытые металлические части изделия могут стать проводниками электрического тока, например, при случайном повреждении электропроводки.
- ▶ Не режьте заготовки, которые могут проводить ток.

Безопасность рабочего места

- ▶ Держите рабочую зону чистой. Металлическая стружка имеет острые грани и может поцарапать пол.

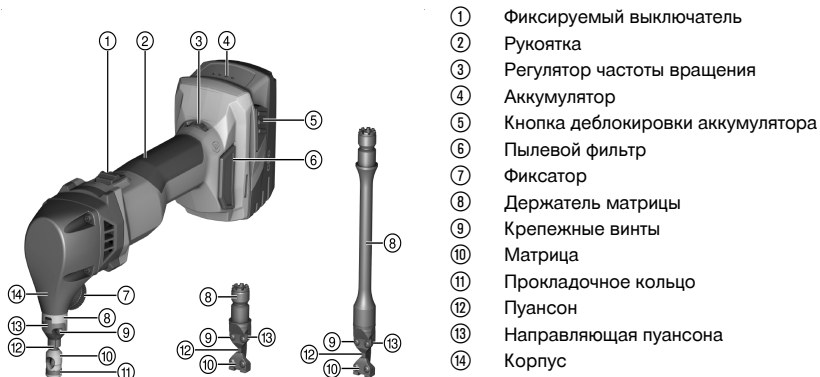
Бережное обращение с электроинструментами и их правильная эксплуатация

- ▶ Убедитесь в том, что на изделии нет стружки и загрязнений. Следите за тем, чтобы во время работы в область выключателя не попала стружка. В противном случае она может заблокировать выключатель и выключение изделия станет невозможным.



3 Описание

3.1 Обзор изделия



- ① Фиксируемый выключатель
- ② Рукоятка
- ③ Регулятор частоты вращения
- ④ Аккумулятор
- ⑤ Кнопка деблокировки аккумулятора
- ⑥ Пылевой фильтр
- ⑦ Фиксатор
- ⑧ Держатель матрицы
- ⑨ Крепежные винты
- ⑩ Матрица
- ⑪ Прокладочное кольцо
- ⑫ Пуансон
- ⑬ Направляющая пуансона
- ⑭ Корпус

3.2 Использование по назначению

Этот электроинструмент представляет собой ручные аккумуляторные высечные ножницы. Он предназначен для резки листовых заготовок из пригодного для высечки материала, например из стали, алюминия, цветного металла и пластика, для высечки по прямым или криволинейным наружным контурам и внутренним вырезам, а также для высечных работ по разметке. Высечка позволяет получать кромки реза без деформаций. В зависимости от используемого рабочего инструмента доступны дополнительные области применения.

SPN-CN: Этот рабочий инструмент также предназначен для резки труб, обработки гофрированных стальных листов и для высечных работ с использованием шаблона. Благодаря полюсу круглому пуансону при выполнении работ высечные ножницы можно поворачивать в нужном месте и продолжать обработку в любом направлении.

Опция: SPN-RN и SPN-RL: Эти рабочие инструменты дополнительно предназначены для резки профлистов (трапециевидных, гофрированных, кассетных) и изогнутых под углом профильных планок.

- ▶ Для этого электроинструмента используйте только литий-ионные аккумуляторы фирмы **Hilti** серии В 22.
- ▶ Для зарядки этих аккумуляторов используйте только зарядные устройства **Hilti** серии C4/36.

3.3 Комплект поставки

Высечные ножницы, ключ Torx, руководство по эксплуатации

Для обеспечения безопасной эксплуатации используйте только оригинальные запасные части и расходные материалы. Допущенные нами запасные части, расходные материалы и принадлежности для данного изделия вы можете найти в **Hilti Store** или на сайте www.hilti.group



Перед поставкой была проведена проверка исправности функционирования изделия. При этом в ходе обработки заготовки на поверхности корпуса изделия могли появиться мелкие царапины.

3.4 Термозащита электроинструмента

Система термозащиты двигателя контролирует потребление электроэнергии, а также нагрев двигателя, защищая электроинструмент от перегрева.

При перегрузке двигателя вследствие слишком высокого давления прижима производительность электроинструмента заметно снижается или возможна его полная остановка.

При остановке или снижении частоты вращения вследствие перегрузки следует уменьшить нагрузку на электроинструмент и дать поработать ему в течение примерно 30 с на холостом ходу.



3.5 Индикация уровня заряда литий-ионного аккумулятора

Уровень заряда литий-ионного аккумулятора отображается после нажатия одной из двух кнопок (де) блокировки аккумулятора.

Состояние	Значение
Горят четыре светодиода.	Уровень заряда: от 75 % до 100 %
Горят три светодиода.	Уровень заряда: от 50 % до 75 %
Горят два светодиода.	Уровень заряда: от 25 % до 50 %
Горит один светодиод.	Уровень заряда: от 10 % до 25 %
Мигает один светодиод.	Уровень заряда: < 10 %

i Во время работы и непосредственно после ее завершения вызов индикации уровня заряда невозможен. При мигании светодиодов индикатора уровня заряда аккумулятора следуйте указаниям из главы «Поиск и устранение неисправностей».

4 Технические данные

Высечные ножницы, как правило, поставляются с рабочим инструментом SPN-CN. SPN-RN и SPN-RL доступны в виде опции.

	SPN-CN	SPN-RN	SPN-RL
Номинальное напряжение	21,6 В	21,6 В	21,6 В
Масса по EPTA Procedure 01 с аккумулятором B22/8.0	3,1 кг	3,0 кг	3,3 кг
Частота ходов на холостом ходу	620 об/мин ... 1 370 об/мин	620 об/мин ... 1 370 об/мин	620 об/мин ... 1 370 об/мин
Диаметр базового отверстия	17 мм	24 мм	24 мм
Минимальный радиус при выполнении криволинейных вырезов	4,0 мм	*/•	*/•
Радиус	*/•	50 мм	50 мм
Ширина реза	8,0 мм	5,0 мм	5,0 мм
Допустимая толщина материала: до 400 Н/мм²	2,0 мм / 14 Ga	2,0 мм / 14 Ga	2,0 мм / 14 Ga
Допустимая толщина стали: до 600 Н/мм²	1,5 мм / 16 Ga	1,5 мм / 16 Ga	1,5 мм / 16 Ga
Допустимая толщина стали: до 800 Н/мм²	1,0 мм / 20 Ga	1,0 мм / 20 Ga	1,0 мм / 20 Ga
Допустимая толщина алюминия: до 250 Н/мм²	2,5 мм/10 Ga	3,0 мм/9 Ga	3,0 мм/9 Ga

4.1 Аккумулятор

Рабочее напряжение аккумулятора	21,6 В
Температура окружающей среды при эксплуатации	-17 °C ... 60 °C
Температура хранения	-20 °C ... 40 °C
Температура аккумулятора в начале зарядки	-10 °C ... 45 °C

4.2 Данные по шуму и вибрациям согласно EN 62841

Приводимые здесь значения уровня звукового давления и вибрации были измерены согласно стандартизированной процедуре измерения и могут использоваться для сравнения электроинструментов между собой. Они также подходят для предварительной оценки вредных воздействий.

Указанные данные применимы к основным областям применения электроинструмента. Однако, если электроинструмент используется для других целей, с другими рабочими (сменными) инструментами или в случае его неудовлетворительного технического обслуживания, данные могут быть иными. Вследствие этого в течение всего периода работы электроинструмента возможно значительное увеличение вредных воздействий.



Для точного определения вредных воздействий следует также учитывать промежутки времени, в течение которых электроинструмент находится в выключенном состоянии или работает вхолостую. Вследствие этого в течение всего периода работы электроинструмента возможно заметное уменьшение вредных воздействий.

Примите дополнительные меры безопасности для защиты пользователя от воздействия возникающего шума и/или вибраций, например: техническое обслуживание электроинструмента и рабочих (сменных) инструментов, сохранение тепла рук, правильная организация рабочих процессов.

Данные о шуме

А-скорректированное значение уровня звукового давления (L_{pA})	91 дБ(А)
Погрешность уровня звукового давления (K_{pA})	3 дБ(А)
Среднее А-скорректированное значение уровня звуковой мощности (L_{WA})	102 дБ(А)
Погрешность уровня звуковой мощности (K_{WA})	3 дБ(А)

Данные о вибрации

	SPN-CN	SPN-RN	SPN-RL
Значение вибрации по трем осям ($a_{h,i}$)	6,7 м/с ²	7,4 м/с ²	6,2 м/с ²
Коэффициент погрешности (К)	1,5 м/с ²	1,5 м/с ²	1,5 м/с ²

5 Подготовка к работе

ОСТОРОЖНО

Опасность травмирования вследствие непреднамеренного пуска!

- ▶ Перед установкой аккумулятора убедитесь в том, что соответствующий электроинструмент выключен.
- ▶ Прежде чем приступить к регулировке электроинструмента или замене принадлежностей выньте аккумулятор из электроинструмента.

Соблюдайте указания по технике безопасности и предупреждающие указания, приводимые в данном документе и на изделии.

5.1 Зарядка аккумулятора

1. Перед зарядкой изучите руководство по эксплуатации зарядного устройства.
2. Убедитесь в том, что контакты аккумулятора и зарядного устройства чистые и сухие.
3. Заряжайте аккумулятор только в допущенном к эксплуатации зарядном устройстве.

5.2 Установка аккумулятора

ОСТОРОЖНО

Опасность травмирования вследствие короткого замыкания или падения аккумулятора!

- ▶ Перед установкой аккумулятора убедитесь в чистоте его контактов и контактов электроинструмента.
 - ▶ Всегда проверяйте, правильно ли зафиксирован аккумулятор.
1. Перед первым вводом в эксплуатацию полностью зарядите аккумулятор.
 2. Установите и зафиксируйте аккумулятор в креплении на электроинструменте (при правильной фиксации слышен характерный щелчок).
 3. Проверьте надежность фиксации аккумулятора.

5.3 Извлечение аккумулятора

1. Нажмите кнопки (де)блокировки аккумулятора.
2. Извлеките аккумулятор из электроинструмента.



5.4 Рабочие инструменты 2

Подходящую комбинацию рабочего инструмента и базового материала см. на изображении.

Пояснение к базовым материалам:

- А: Плоский профлист
- В: Гофрированный профлист
- С: Профлист трапециевидной формы (макс. глубина профил. 85 мм)
- D: Профлист (макс. глубина профил. 162 мм)

Для резки с рабочими инструментами SPN-RN и SPN-RL листовой стали толщиной до 1 мм без заусенцев можно использовать матрицу P1. Уменьшенный зазор между пуансоном и матрицей минимизирует образование заусенцев.

5.5 Снятие рабочего инструмента 3

1. Отпустите фиксатор шестью оборотами против часовой стрелки.
2. Вытяните рабочий инструмент из корпуса.

5.6 Установка рабочего инструмента 4

1. Смажьте направляющую пуансона.
2. Зацепите пуансон за канавку толкателя.
3. Отцентрируйте направление резания по направлению вперед.
4. Вставьте рабочий инструмент в корпус, отцентрировав его по направлению резания вперед.
5. Затем установите рабочий инструмент в нужном направлении резания.
6. Завинтите фиксатор по часовой стрелке и затяните его от руки.
 - ▶ Между корпусом и держателем матрицы не должно быть никакого зазора.

5.7 Регулировка направления резания 5

При необходимости направление резания можно изменять поворотом вправо или влево с шагом 45°. Благодаря этому упрощается обработка профлистов и высечные ножницы можно регулировать для их комфортного использования правшами или левшами.

1. Отпустите фиксатор до его разблокировки (примерно три оборота против часовой стрелки).
2. Слегка вытяните рабочий инструмент из корпуса и поверните его в нужном направлении.
 - ▶ Предусмотрено восемь возможных фиксированных положений.
3. Задвиньте рабочий инструмент в нужном фиксированном положении назад в корпус.
4. Завинтите фиксатор по часовой стрелке и затяните его от руки.
 - ▶ Между корпусом и держателем матрицы не должно быть никакого зазора.

5.8 Установка частоты ходов

- ▶ Настройте частоту ходов с помощью регулировочного колесика для установки частоты вращения.

6 Управление

Соблюдайте указания по технике безопасности и предупреждающие указания, приводимые в данном документе и на изделии.

6.1 Включение

1. Нажмите на заднюю часть выключателя.
2. Сдвиньте выключатель вперед.
 - ▶ Двигатель заработает.
3. Заблокируйте выключатель.



6.2 Резание 5

ПРЕДУПРЕЖДЕНИЕ

Осторожно Перегрузка высечных ножниц вследствие тупых рабочих инструментов!

- ▶ Регулярно проверяйте режущую кромку пуансона на износ. Своевременно заменяйте пуансон для защиты высечных ножниц.

1. Смазывайте рез маслом, чтобы увеличить срок службы пуансона и оптимизировать результат резки.
2. Включите устройство. → страница 139
3. При достижении полной частоты вращения подведите высечные ножницы к заготовке.
 - ▶ При выполнении внутренних вырезов сначала изготовьте базовое отверстие с учетом применяемого рабочего инструмента.
4. Выполните рез по размеченной линии.
5. После завершения реза выключите электроинструмент. Если рез заканчивается в заготовке, сначала оттяните включенный электроинструмент, находящийся в резе, на несколько миллиметров назад, и только потом отключайте его.



Не укладывайте высечные ножницы на стружку, пока они полностью не отключатся. В противном случае возможно всасывание стружки электродвигателем.

6.3 Резка с шаблоном 3

Опция: SPN-CN

К резке с шаблоном предъявляются следующие требования:

- Толщина шаблона должна составлять 5–7 мм.
- Контур шаблона должен иметь отступ 2,5 мм от контура резки.
- Соблюдайте минимальный радиус 4 мм. Минимальный радиус шаблона составляет соответственно 6,5 мм.
- Вести высечные ножницы следует таким образом, чтобы наружный край направляющей пуансона всегда прилегал к шаблону.

6.4 Выключение

- ▶ Нажмите на заднюю часть выключателя.
 - ▶ Выключатель установится в положение «Выкл.» и двигатель остановится.

7 Опциональные принадлежности

7.1 Установка мешка для стружки 7

Опция: SPN-CN

Чтобы исключить неконтролируемое отлетание стружки, для ее сбора можно установить специальный мешок.

1. Сожмите оба конца пружины в мешке для стружки.
2. Положите пружину вокруг нижнего края матрицы и отпустите концы пружины.
3. Проверьте правильность и надежность посадки пружины и мешка для опилок.

8 Уход и техническое обслуживание

ПРЕДУПРЕЖДЕНИЕ

Опасность травмирования при установленном аккумуляторе !

- ▶ Перед проведением любых работ по уходу и обслуживанию всегда извлекайте аккумулятор!

Уход за электроинструментом

- Осторожно удалите налипшую грязь.
- Извлеките пылевой фильтр и осторожно очистите его и вентиляционные прорезы с помощью сухой щетки.



- Очищайте корпус только с помощью слегка увлажненной ткани. Не используйте средства по уходу с содержанием силикона, так как они могут повредить пластмассовые детали.

Уход за литий-ионными аккумуляторами

- Аккумулятор должен быть чистым, без следов масла и смазки.
- Очищайте корпус только с помощью слегка увлажненной ткани. Не используйте средства по уходу с содержанием силикона, так как они могут повредить пластмассовые детали.
- Не допускайте попадания влаги внутрь электроинструмента.

Техническое обслуживание

- Регулярно проверяйте все видимые части электроинструмента на отсутствие повреждений, а элементы управления — на исправное функционирование.
- При повреждениях и/или функциональных сбоях не используйте электроинструмент. Сразу сдавайте его в сервисный центр **Hilti** для ремонта.
- После ухода за электроинструментом и его технического обслуживания установите все защитные приспособления на место и проверьте их исправное функционирование.



Для обеспечения безопасной эксплуатации используйте только оригинальные запасные части и расходные материалы. Допущенные нами запасные части, расходные материалы и принадлежности для данного изделия вы можете найти в **Hilti Store** или смотрите на **www.hilti.group**.

8.1 Замена пуансона 8



При каждой замене пуансона проверяйте также износ матрицы, направляющую пуансона и изнашиваемую плиту (не для SPN-CN) и при необходимости заменяйте ее.

1. Снимите рабочий инструмент. → страница 139
2. Извлеките изношенный пуансон из рабочего инструмента.
3. Смажьте новый пуансон и его направляющую в рабочем инструменте.
4. При наличии нижеуказанного оснащения дополнительно выполните это действие:

Опция: SPN-RL

- Смонтируйте удлинитель толкателя между толкателем и пуансоном и смажьте его.

5. Установите рабочий инструмент. → страница 139

8.2 Замена матрицы 9

Опция: SPN-CN

1. Сдвиньте прокладочное кольцо из канавки вверх.
2. Выпрессуйте цилиндрический штифт с помощью подходящего пробойника.
3. Стяните матрицу с несущего штифта.
4. Установите новую матрицу на несущий штифт.
5. Снова установите цилиндрический штифт.
6. Сдвиньте прокладочное кольцо вниз в канавку и проверьте правильность его посадки.

8.3 Замена направляющей пуансона 10

Опция: SPN-CN



ОСТОРОЖНО

Опасность повреждения изделия и режущих инструментов!

- Перед установкой крепежных винтов очищайте резьбу.
- Всегда используйте входящие в комплект поставки новые крепежные винты и соблюдайте указанный момент затяжки.

1. Снимите матрицу. → страница 141
2. Выверните крепежные винты.
3. Снимите направляющую пуансона.
4. Установите новую направляющую пуансона.



5. Ввинтите и затяните крепежные винты с предписанным моментом.

Технические данные	
Момент затяжки	3 Н·м

6. Снова установите матрицу.

8.4 Замена матрицы, направляющей пуансона и изнашиваемой пластины. **11, 12**

Опция: SPN-RN
ИЛИ SPN-RL

ОСТОРОЖНО

Опасность повреждения изделия и режущих инструментов!

- ▶ Перед установкой крепежных винтов очищайте резьбу.
- ▶ Всегда используйте входящие в комплект поставки новые крепежные винты и соблюдайте указанный момент затяжки.

1. Выверните крепежные винты.
2. Снимите направляющую пуансона и матрицу.
3. Проверьте изнашиваемую пластину на следы износа.

Результат

При обнаружении явных следов износа:

- ▶ Извлеките изнашиваемую пластину и замените ее на новую.
4. Очистите опорные поверхности на подшипниковой опоре матрицы.
 5. Центрируйте направляющую пуансона и матрицу с помощью цапф.
 6. Вверните крепежные винты от руки.
 7. Смажьте направляющие поверхности направляющей пуансона.
 8. Затяните крепежные винты с предписанным моментом в перекрестном порядке.

Технические данные	
Момент затяжки	3 Н·м

9 Транспортировка и хранение аккумуляторных электроинструментов

Транспортировка

ОСТОРОЖНО

Непреднамеренное включение в ходе транспортировки !

- ▶ При транспортировке своих электроинструментов всегда отсоединяйте от них аккумуляторы!
- ▶ Извлеките аккумуляторы.
- ▶ Категорически запрещается транспортировать аккумуляторы без упаковки (бестарным способом).
- ▶ После продолжительной транспортировки проверяйте электроинструмент и аккумуляторы перед использованием на отсутствие повреждений.

Хранение

ОСТОРОЖНО

Непреднамеренное повреждение вследствие неисправных или протекающих аккумуляторов !

- ▶ При хранении своих электроинструментов всегда отсоединяйте от них аккумуляторы!
- ▶ По возможности храните электроинструмент и аккумуляторы в сухом и прохладном месте.
- ▶ Никогда не оставляйте аккумуляторы на солнце, на нагревательных/отопительных элементах или за стеклом.
- ▶ Храните электроинструмент и аккумуляторы в сухом виде в недоступном для детей и других лиц, не допущенных к работе с электроинструментом, месте.
- ▶ После длительного хранения перед использованием проверяйте электроинструмент и аккумуляторы на отсутствие повреждений.



10 Помощь при неисправностях

В случае неисправностей, которые не указаны в этой таблице или которые вы не можете устранить самостоятельно, обращайтесь в ближайший сервисный центр **Hilti**.

10.1 Поиск и устранение неисправностей

Неисправность	Возможная причина	Решение
Аккумулятор разряжается быстрее, чем обычно.	Очень низкая температура внешней среды.	► Обеспечьте постепенный нагрев аккумулятора до комнатной температуры.
При установке аккумулятора не слышно характерного щелчка.	Грязь на фиксирующих выступах аккумулятора.	► Очистите фиксирующие выступы и установите аккумулятор повторно.
Мигает один светодиод. Устройство не функционирует.	Аккумулятор разряжен.	► Замените аккумулятор и зарядите разряженный аккумулятор.
	Аккумулятор слишком холодный или слишком горячий	► Обеспечьте постепенный нагрев или постепенное охлаждение аккумулятора до комнатной температуры.
Мигают все четыре светодиода. Устройство не функционирует.	Электроинструмент перегружен.	► Отпустите выключатель и нажмите его снова. Дайте поработать электроинструменту в течение примерно 30 с на холостом ходу.
Сильный нагрев (внутри) дозатора или аккумулятора.	Электрическая неисправность	► Немедленно выключите электроинструмент, извлеките аккумулятор и наблюдайте за ним, дайте ему остыть и свяжитесь с сервисной службой Hilti .
Электроинструмент работает не на полную мощность.	Установлен аккумулятор с недостаточной емкостью.	► Используйте аккумулятор с достаточной емкостью.
Снижение производительности резания	Изношен пуансон	► Замените пуансон. → страница 141
Не срабатывает функция торможения двигателя.	Аккумулятор разряжен.	► Замените аккумулятор и зарядите разряженный аккумулятор.
	Кратковременная перегрузка электроинструмента	► Выключите электроинструмент, а затем снова включите его.

11 Утилизация

Большинство материалов, из которых изготовлены изделия **Hilti**, подлежат вторичной переработке. Перед утилизацией следует тщательно рассортировать материалы (для удобства их последующей переработки). Во многих странах фирма **Hilti** уже организовала прием бывших в использовании электрических и электронных устройств для утилизации. Дополнительную информацию по этому вопросу можно получить в отделе по обслуживанию клиентов или у консультантов по продажам фирмы **Hilti**.

Утилизация аккумуляторов

Вследствие выхода газов или жидкостей при неправильной утилизации аккумуляторов возможна угроза для здоровья.

- Не пересылайте поврежденные аккумуляторы!
- Закрывайте аккумуляторные контакты не проводящим ток материалом, чтобы избежать коротких замыканий.
- Утилизируйте аккумуляторы так, чтобы исключить их попадание в руки детей.



- ▶ Утилізуйте акумулятор через найближчий **Hilti Store** или обратіться в спеціалізовану фірму по утилізації.



- ▶ Не викидайте електричні інструменти, електронні пристрої/прибори і акумулятори разом з звичайним мусором!

12 RoHS (Директива об обмеженні застосування небезпечних речовин)

По этой ссылке доступна таблица опасных веществ: qr.hilti.com/r10695220.

Ссылку в виде QR-кода на таблицу опасных веществ согласно директиве RoHS см. в конце этого документа.

13 Гарантія виробника

- ▶ С питаннями щодо гарантійних умов звертайтеся в найближче представництво Hilti.

Оригінальна інструкція з експлуатації

1 Інформація про документацію

1.1 Інформація про цей документ

- Перш ніж розпочинати роботу з інструментом, прочитайте цей документ. Це є передумовою безпечної роботи та відсутності несправностей під час застосування інструмента.
- Дотримуйтеся попереджувальних вказівок та вказівок з техніки безпеки, наведених у цьому документі та на корпусі інструмента.
- Завжди зберігайте інструкцію з експлуатації поблизу інструмента та передавайте інструмент іншим особам лише разом з інструкцією.

1.2 Пояснення символів

1.2.1 Попереджувальні вказівки

Попереджувальні вказівки інформують користувача про фактори небезпеки, пов'язані із застосуванням інструмента. Використовуються такі сигнальні слова:

НЕБЕЗПЕКА

НЕБЕЗПЕКА !

- ▶ Указує на безпосередню небезпеку, що може призвести до отримання тяжких тілесних ушкоджень або навіть до смерті.

ПОПЕРЕДЖЕННЯ

ПОПЕРЕДЖЕННЯ !

- ▶ Указує на потенційно небезпечну ситуацію, яка може призвести до отримання тяжких тілесних ушкоджень або навіть смерті.

ОБЕРЕЖНО

ОБЕРЕЖНО !

- ▶ Указує на потенційно небезпечну ситуацію, яка може призвести до отримання тілесних ушкоджень або до матеріальних збитків.

1.2.2 Символи у документі

У цьому документі використовуються такі символи:



Перед використанням прочитайте інструкцію з експлуатації



	Указівки щодо експлуатації та інша корисна інформація
	Поводження з матеріалами, придатними для вторинної переробки
	Не викидайте електроінструменти і акумуляторні батареї у баки для побутового сміття

1.2.3 Символи на ілюстраціях

На ілюстраціях використовуються такі символи:

	Цифрами позначаються відповідні ілюстрації, наведені на початку цієї інструкції
	Нумерація відображає послідовність робочих кроків на ілюстраціях та може відрізнятися від нумерації у тексті
	Номера позицій, наведені на оглядовій ілюстрації , відповідають номерам у легенді, що представлена у розділі « Огляд продукту »
	Цей символ позначає аспекти, на які слід звернути особливу увагу під час застосування інструмента.

1.3 Символи, що обумовлені типом інструмента

1.3.1 Символи на інструменті

На інструменті можуть бути наведені такі символи:

	Інструмент підтримує технологію NFC та є сумісним із платформами iOS та Android.
	Використовуваний тип літій-іонної акумуляторної батареї Hilti . Дотримуйтеся вказівок, наведених у розділі « Використання за призначенням ».
	Ніколи не використовуйте акумуляторну батарею у якості ударного інструмента.
	Не допускайте падіння акумуляторної батареї. Не використовуйте акумуляторну батарею, яка зазнала ударного навантаження або була пошкоджена іншим чином.
Li-Ion	Літій-іонна акумуляторна батарея
	Постійний струм
	Використовуйте захисні окуляри

1.4 Інформація про інструмент

Інструменти призначені для професійного використання, а тому їхню експлуатацію, технічне обслуговування та ремонт слід доручати лише авторизованому персоналу зі спеціальною підготовкою. Цей персонал повинен бути спеціально проінструктований про можливі ризики. Інструмент та допоміжне приладдя можуть стати джерелом небезпеки у разі їхнього неправильного застосування некваліфікованим персоналом або у разі використання не за призначенням.

Тип та серійний номер зазначені на заводській табличці.

- ▶ Перепишіть серійний номер у наведену нижче таблицю. При оформленні запитів до нашого представництва та до сервісної служби вказуйте інформацію про інструмент.

Інформація про інструмент

Висічні ножиці	SPN 6-A22
Версія:	01
Серійний номер:	

1.5 Сертифікат відповідності

Зі всією належною відповідальністю заявляємо, що описаний у цьому документі інструмент відповідає діючим директивам і стандартам. Копія сертифіката відповідності наведена у кінці цього документа.



2 Безпека

2.1 Загальні вказівки з техніки безпеки при роботі з електроінструментами

⚠ ПОПЕРЕДЖЕННЯ! Уважно прочитайте усі вказівки та інструкції з техніки безпеки, ознайомтеся з малюнками та технічними даними цього електроінструмента. Щонайменше недотримання наведених нижче вказівок може призвести до ураження електричним струмом, займання та/або отримання тяжких травм.

Збережіть всі інструкції та вказівки з техніки безпеки – вони можуть знадобитися Вам у майбутньому.

Термін «електроінструмент», який використовується у вказівках з техніки безпеки, позначає як електроінструменти, що працюють від електричної мережі (із кабелем живлення), так і електроінструменти, що працюють від акумуляторної батареї (без кабелю живлення).

Безпека на робочому місці

- ▶ **Дбайте про чистоту та достатнє освітлення робочого місця.** Безлад на робочому місці та недостатнє освітлення можуть стати причиною нещасних випадків.
- ▶ **Не працюйте з електроінструментом у вибухонебезпечному середовищі, що містить легкозаймисті рідини, газу або пил.** Під час роботи електроінструментів утворюються іскри, від яких можуть зайнятися легкозаймисті випари або пил.
- ▶ **Подбайте про те, щоб під час використання електроінструмента поблизу не було дітей та сторонніх осіб.** Щонайменше відволікання може призвести до втрати контролю над інструментом.

Електрична безпека

- ▶ **Штепсельна вилка електроінструмента повинна підходити до розетки живлення. Забороняється вносити зміни до конструкції штепсельної вилки. Не дозволяється застосовувати перехідні штепсельні вилки в електроінструментах із захисним заземленням.** У разі використання оригінальних штепсельних вилок і відповідних розеток знижується ризик ураження електричним струмом.
- ▶ **Під час роботи намагайтеся не торкатися заземлених поверхонь, наприклад труб, радіаторів опалення, печей та холодильників.** Якщо Ваше тіло перебуває в контакт з системою заземлення, існує підвищений ризик ураження електричним струмом.
- ▶ **Захищайте електроінструменти від дощу та вологи.** У разі проникнення води в електроінструмент підвищується ризик ураження електричним струмом.
- ▶ **Використовуйте з'єднувальний кабель тільки за призначенням, не переносьте за нього електроінструмент, не користуйтеся ним для підвішування інструмента та не тримайтеся за нього, дістаючи штепсельну вилку з розетки.** Оберігайте з'єднувальний кабель від впливу високих температур, від дії мастил та контакту з гострими кромками або рухомими частинами інструмента. Пошкоджені або заплутані з'єднувальні кабелі підвищують ризик ураження електричним струмом.
- ▶ **Працюючи з електроінструментом під відкритим небом, використовуйте лише подовжувальний кабель, придатний для зовнішнього застосування.** Використання подовжувального кабелю, призначеного для зовнішнього застосування, зменшує ризик ураження електричним струмом.
- ▶ **Якщо неможливо уникнути експлуатації електроінструмента за умов підвищеної вологості, використовуйте автомат захисту від струму витоку.** Використання автомата захисту від струму витоку зменшує ризик ураження електричним струмом.

Безпека персоналу

- ▶ **Будьте уважними, зосередьтеся на виконуваній операції, до роботи з електроінструментом ставтеся серйозно.** Не користуйтеся електроінструментом, якщо Ви втомлені або перебуваєте під дією наркотичних речовин, алкоголю або лікарських засобів. Під час роботи з електроінструментом не відволікайтеся ні на мить, оскільки це може призвести до отримання серйозних травм.
- ▶ **Використовуйте засоби індивідуального захисту і завжди надягайте захисні окуляри.** Використання засобів індивідуального захисту, наприклад респіратору, захисного взуття на нековзній підшві, захисного шолома або шумозахисних навушників – залежно від різновиду електроінструмента та особливостей його застосування – зменшує ризик травмування.
- ▶ **Уникайте випадкового вмикання електроінструмента.** Переконайтеся в тому, що електроінструмент вимкнений, перш ніж вставляти штепсельну вилку в розетку живлення та/або приєднувати акумулятор, піднімати електроінструмент або переносити його. Якщо під час пе-



ренесення електроінструмента тримати палець на вимикачі або приєднувати інструмент до джерела живлення увімкненим, це може призвести до нещасного випадку.

- ▶ **Перш ніж вмикати електроінструмент, від'єднайте від нього все налагоджувальне приладдя або гайкові ключі.** Приладдя або ключ, що знаходяться в обертовому вузлі інструмента, можуть стати причиною отримання травм.
- ▶ **Уникайте виконання роботи в незручній позі. Під час виконання робіт ставайте в стійку позу і намагайтеся повсякчас утримувати рівновагу.** Це дозволить Вам більш упевнено контролювати електроінструмент у разі виникнення несподіваних обставин.
- ▶ **Надягайте відповідний робочий одяг. Не надягайте для роботи занадто просторий одяг та прикраси. Слідкуйте за тим, щоб волосся, одяг та робочі рукавиці знаходилися подалі від обертових частин інструмента.** Просторий одяг, прикраси або довге волосся можуть бути захоплені рухомими частинами інструмента.
- ▶ **Якщо передбачена можливість установа системи пиловидалення та пилозбірників, обов'язково переконайтеся в тому, що вони правильно приєднані й використовуються належним чином.** Застосування системи видалення пилу дозволяє зменшити негативний вплив пилу на персонал.
- ▶ **Не можна нехтувати правилами безпеки під час роботи з електроінструментами навіть у тому випадку, коди Ви добре знайомі з тим чи іншим електроінструментом.** Якщо користуватися інструментом необережно, лише малої частки секунди може бути достатньо для отримання тяжких травм.

Використання електроінструмента та належний догляд за ним

- ▶ **Не допускайте перенавантаження інструмента. Завжди використовуйте електроінструмент, призначений для виконання відповідної роботи.** При використанні належного електроінструмента забезпечуються більш висока якість та безпека виконання робіт у вказаному діапазоні продуктивності.
- ▶ **Не використовуйте електроінструмент із пошкодженням вимикачем.** Електроінструмент, який неможливо вмикати або вимикати, є небезпечним і підлягає ремонту.
- ▶ **Перш ніж розпочинати налаштування інструмента, виконувати заміну приладдя або робити перерву в роботі, не забудьте вийняти штепсельну вилку з розетки та/або вийняти з інструмента змінну акумуляторну батарею.** Такий запобіжний захід допоможе уникнути випадкового вмикання електроінструмента.
- ▶ **Електроінструменти, що не використовуються, зберігайте в недоступному для дітей місці. Не дозволяйте користуватися інструментом особам, які не ознайомлені з ним або не прочитали ці вказівки.** У руках недосвідчених людей електроінструменти являють собою серйозну небезпеку.
- ▶ **Електроінструменти та їх приладдя потребують дбайливого догляду. Ретельно перевіряйте, чи бездоганно працюють та чи не заклинюють рухомі частини, чи не зламалися або не зазнали інших пошкоджень деталі, від яких залежить справна робота електроінструмента. Перед початком роботи з інструментом пошкоджені деталі слід відремонтувати.** Багатьох нещасних випадків можна уникнути за умови належного технічного обслуговування електроінструментів.
- ▶ **Слідкуйте за тим, щоб ріжучі інструменти завжди залишалися чистими та належним чином заточеними.** Дбайливо доглянутий ріжучий інструмент із гострими різальними кромками не так часто заклинюється, і з ним легше працювати.
- ▶ **Під час експлуатації електроінструмента, приладдя до нього, робочих інструментів тощо дотримуйтеся наведених у цьому документі вказівок. При цьому завжди враховуйте умови в місці виконання робіт та дії, яких вимагає поставлене завдання.** Використання електроінструментів не за призначенням може призвести до виникнення небезпечних ситуацій.
- ▶ **Слідкуйте за тим, щоб поверхні рукояток були чистими та сухими, та не допускайте їхнього забруднення мастилом.** Якщо поверхні рукояток слизькі, це унеможливіло впевнене контролювання електроінструмента у непередбачених ситуаціях.

Використання акумуляторного інструмента та належний догляд за ним

- ▶ **Для заряджання акумуляторних батарей застосовуйте лише зарядні пристрої, рекомендовані виробником.** Зарядний пристрій, придатний для заряджання акумуляторних батарей певного типу, може спричинити пожежу, якщо його застосовувати для заряджання акумуляторних батарей інших типів.
- ▶ **Для живлення електроінструментів застосовуйте лише спеціально призначені для цього акумуляторні батареї.** Застосування інших акумуляторних батарей може призвести до отримання травм і виникнення пожежі.
- ▶ **Акумуляторну батарею, яка не використовується, тримайте подалі від канцелярських скріпок, монет, ключів, цвяхів, гвинтів та інших дрібних металевих предметів, які могли б спричинити коротке замикання її контактів.** Коротке замикання контактів акумуляторної батареї може призвести до отримання опіків або до виникнення пожежі.



- ▶ У разі неправильного застосування з акумуляторної батареї може пролитися рідина. Уникайте контакту з нею. У разі випадкового контакту цієї рідини зі шкірою негайно промийте уражене місце достатньою кількістю води. Якщо рідина потрапила в очі, рекомендується додатково звернутися по лікарську допомогу. Пролита з акумуляторної батареї рідина може призвести до подразнення шкіри або отримання опіків.
- ▶ Не використовуйте акумуляторну батарею, якщо вона пошкоджена або якщо її конструкція була змінена. Пошкоджені або модифіковані акумуляторні батареї вкрай ненадійні та становлять небезпеку пожежі, вибуху або травмування.
- ▶ Не піддавайте акумуляторну батарею впливу вогню або високих температур. Вогонь або температури понад 130 °C (265 °F) можуть спричинити вибух.
- ▶ Дотримуйтеся вказівок щодо заряджання. Ніколи не заряджайте акумуляторну батарею або акумуляторний інструмент в умовах, що виходять за межі температурного діапазону, зазначеного в інструкції з експлуатації. Неналежне заряджання або заряджання за межами зазначеного температурного діапазону може призвести до руйнування акумуляторної батареї та підвищує ризик займання.

Сервісне обслуговування

- ▶ Доручайте ремонт електроінструмента лише кваліфікованому персоналу зі спеціальною підготовкою за умови використання тільки оригінальних запасних частин. Це забезпечить функціональність інструмента.
- ▶ Забороняється здійснювати технічне обслуговування пошкоджених акумуляторних батарей. У будь-яких випадках технічне обслуговування акумуляторних батарей повинен здійснювати виробник або уповноважена служба технічного обслуговування.

2.2 Застосування акумуляторних батарей та дбайливий догляд за ними

- ▶ Дотримуйтеся особливих вказівок щодо транспортування, складського зберігання та застосування літій-іонних акумуляторних батарей.
- ▶ Не піддавайте акумуляторні батареї впливу високих температур, прямих сонячних променів та відкритого вогню.
- ▶ Акумуляторні батареї забороняється розбирати, роздавлювати, нагрівати до температури понад 80 °C або спалювати.
- ▶ Не використовуйте та не заряджайте акумуляторні батареї, які зазнали впливу ударного навантаження, впали з висоти більше одного метра або були пошкоджені іншим чином. У разі виникнення такої ситуації завжди звертайтеся до **сервісної служби** компанії **Hilti**.
- ▶ Якщо акумуляторна батарея гаряча на дотик, вона може бути пошкоджена. Залиште акумуляторну батарею у захищеному від вогню місці на достатній відстані від горючих матеріалів, де за нею можна спостерігати. Зачекайте, доки акумуляторна батарея не охолоне. Якщо через годину акумуляторна батарея все ще залишається гарячою на дотик, це свідчить про її несправність. Зверніться до **сервісної служби** компанії **Hilti**.

2.3 Додаткові вказівки з техніки безпеки

Безпека персоналу

- ▶ Працюючи з інструментом, використовуйте захисні рукавиці. Під час використання робочий інструмент значно нагрівається, тому контакт із ним може призвести до опіків. Кромка зрізу та металева стружка, які утворюються під час використання інструмента, мають гострі краї, тому контакт із ними може призвести до отримання травм.
- ▶ Щоб під час роботи у Вас не затерпали руки, робіть перерви та виконуйте вправи на розслаблення і розминання пальців з метою покращення в них кровообігу.
- ▶ Використовуйте захисні навушники. Тривалий вплив шуму може призвести до втрати слуху.
- ▶ Ніколи не працюйте інструментом над головою.

Електрична безпека

- ▶ Якщо Вам часто доводиться обробляти електропровідні матеріали, то забруднені ними електроінструменти слід регулярно здавати на перевірку в сервісну службу компанії Hilti. Якщо на поверхні інструмента накопичується волога та пил, особливо від струмопровідних матеріалів, це може за несприятливих умов призвести до ураження електричним струмом.
- ▶ Регулярно очищайте вентиляційні прорізи електроінструмента. Оскільки двигун засмоктує пил усередину корпусу, підвищена концентрація металевого пилу може створити небезпеку ураження електричним струмом.
- ▶ Перед початком роботи перевіряйте робоче місце на наявність прихованих електричних кабелів, газових та водопровідних труб, наприклад за допомогою металощукача. Відкриті металеві деталі



інструмента можуть стати провідниками електричного струму, якщо, зокрема, під час роботи будуть випадково пошкоджені електричні кабелі.

- ▶ Не розривайте деталі, які можуть стати провідниками електричного струму.

Безпека на робочому місці

Утримуйте робоче місце в чистоті. Частки металевої стружки гострі та можуть подряпати підлогу.

Належне використання електроінструментів та дбайливий догляд за ними

- ▶ Переконайтеся, що на інструменті відсутні частки стружки та бруд. Слідкуйте за тим, щоб під час роботи стружка не потрапляла до області вимикача. Якщо частки стружки заблокують вимикач, Ви не зможете своєчасно вимкнути інструмент.

3 Опис

3.1 Огляд продукту



3.2 Використання за призначенням

Описаний у цьому документі інструмент являє собою ручні акумуляторні висічні ножичці. Вони призначені для розрізання пластиноподібних деталей з матеріалів, придатних до штампування, наприклад зі сталі, алюмінію, кольорових металів і пластмаси. Вони можуть використовуватися для отримання прямих або закруглених зовнішніх кромки та внутрішніх вирізів, а також для різання профільних листів за розміткою. Під час різання профільних листів за допомогою висічних ножичць утворюється відрізна кромка без перекосів. Залежно від використовуваного робочого інструмента можливі додаткові способи застосування інструмента.

SPN-CN: Цей робочий інструмент додатково призначений для розрізання труб, для обробки гофрованого листового металу, а також для різання за шаблоном. Завдяки використанню круглого порожнього пуансона висічні ножичці можна повертати на одному місці та продовжувати обробку у будь-якому напрямку.

Опціонально: SPN-RN та SPN-RL: Ці робочі інструменти додатково призначені для розрізання профільованого листового металу, наприклад трапецієподібного, гофрованого, касетного профілю, а також профільних планок із похилими гранями.

- ▶ Використовуйте із цим інструментом лише літій-іонні акумуляторні батареї **Hilti** типу B 22.
- ▶ Для заряджання цих акумуляторних батарей використовуйте тільки зарядні пристрої **Hilti** типу C4/36.

3.3 Комплект постачання

Висічні ножичці, ключ типу «Торх», інструкція з експлуатації

Щоб гарантувати належну роботу інструмента, використовуйте тільки оригінальні запасні частини та видаткові матеріали. Рекомендовані запасні частини, видаткові матеріали та приладдя для Вашого інструмента Ви можете придбати у найближчому магазині **Hilti Store** або на веб-сайті **www.hilti.group**



i Перед постачанням функціональність цього інструмента була перевірена на заводі виробника. При цьому через контакт із оброблюваною деталлю на поверхні корпусу інструмента могли утворитися дрібні подряпини.

3.4 Термозахист інструмента

Система термозахисту двигуна контролює споживання електроенергії, нагрівання двигуна і захищає інструмент від перегрівання.

У разі перенавантаження двигуна через занадто сильне притискання інструмента потужність інструмента помітно знижується та він може зупинитися.

Якщо через перенавантаження інструмент зупиняється або знижує швидкість обертання, слід зменшити навантаження на інструмент і дати йому попрацювати приблизно 30 секунд на холостому ходу.

3.5 Індикатор стану заряду літій-іонної акумуляторної батареї

Щоб відобразити стан заряду літій-іонної акумуляторної батареї, слід злегка натиснути на одну з заблокованих кнопок акумуляторної батареї.

Стан	Значення
4 світлодіоди горять.	Стан заряду: від 75 % до 100 %
3 світлодіоди горять.	Стан заряду: від 50 % до 75 %
2 світлодіоди горять.	Стан заряду: від 25 % до 50 %
Горить 1 світлодіод.	Стан заряду: від 10 % до 25 %
Мигає 1 світлодіод.	Стан заряду: < 10 %

i Під час роботи та відразу після її закінчення визначити стан заряду акумуляторної батареї неможливо. Якщо світлодіодні індикатори стану заряду акумуляторної батареї мигають, будь ласка, виконайте вказівки, наведені в розділі «Допомога у разі виникнення несправностей».

4 Технічні дані

Висічні ножиці серійно оснащуються робочим інструментом SPN-CN. Робочі інструменти SPN-RN та SPN-RL пропонуються у якості додаткового приладдя.

	SPN-CN	SPN-RN	SPN-RL
Номінальна напруга	21,6 В	21,6 В	21,6 В
Маса відповідно до ЕРТА Procedure 01 з акумуляторною батареєю B228.0	3,1 кг	3,0 кг	3,3 кг
Кількість робочих ходів під час роботи без навантаження	620 об/хв ... 1 370 об/хв	620 об/хв ... 1 370 об/хв	620 об/хв ... 1 370 об/хв
Діаметр початкового отвору	17 мм	24 мм	24 мм
Найменший радіус під час виконання закруглених кромek	4,0 мм	•/•	•/•
Радіус	•/•	50 мм	50 мм
Ширина розрізу	8,0 мм	5,0 мм	5,0 мм
Припустима товщина сталі 400 Н/мм²	2,0 мм / 14 Ga	2,0 мм / 14 Ga	2,0 мм / 14 Ga
Припустима товщина сталі 600 Н/мм²	1,5 мм / 16 Ga	1,5 мм / 16 Ga	1,5 мм / 16 Ga
Припустима товщина сталі 800 Н/мм²	1,0 мм / 20 Ga	1,0 мм / 20 Ga	1,0 мм / 20 Ga
Припустима товщина алюмінію 250 Н/мм²	2,5 мм / 10 Ga	3,0 мм / 9 Ga	3,0 мм / 9 Ga

4.1 Акумуляторна батарея

Робоча напруга акумуляторної батареї	21,6 В
Температура навколишнього середовища під час роботи	-17 °C ... 60 °C



Температура зберігання	-20 °C ... 40 °C
Температура акумуляторної батареї на початку процесу заряджання	-10 °C ... 45 °C

4.2 Дані про шум та значення вібрації, виміряні згідно зі стандартом EN 62841

Наведені у цих рекомендаціях значення звукового тиску та вібрації були виміряні згідно з установленою процедурою вимірювання та можуть використовуватися для порівняння електроінструментів. Вони також придатні для попереднього оцінювання шумового та вібраційного навантаження.

Наведені дані обумовлюють переважні сфери застосування електроінструмента. Однак якщо Ви використовуєте його не за призначенням, застосовуєте нестандартне приладдя або неналежним чином здійснюєте догляд за інструментом, ці дані можуть відрізнятись від вказаних значень. Це може призвести до помітного збільшення шумового та вібраційного навантаження протягом усього робочого часу.

Для більш точної оцінки шумового та вібраційного навантаження необхідно враховувати також проміжний час, протягом яких інструмент залишається вимкненим або працює на холодному ходу. Це може значно зменшити вібраційне та шумове навантаження протягом усього робочого часу.

Необхідно також вживати додаткових заходів безпеки з метою захисту працівників від дії шуму та/або вібрації, зокрема: проводити своєчасне технічне обслуговування електроінструмента та змінних робочих інструментів до нього, утримувати руки у теплі, належним чином організовувати робочий процес.

Дані про шум

Скоригований за шкалою «А» типовий рівень шумового тиску (L_{pA})	91 дБ(А)
Похибка для рівня звукового тиску (K_{pA})	3 дБ(А)
Скоригований за шкалою «А» типовий рівень шумової потужності (L_{WA})	102 дБ(А)
Похибка для рівня шумової потужності (K_{WA})	3 дБ(А)

Дані про вібрацію

	SPN-CN	SPN-RN	SPN-RL
Значення вібрації за трьома осями (a_n)	6,7 м/с ²	7,4 м/с ²	6,2 м/с ²
Похибка (К)	1,5 м/с ²	1,5 м/с ²	1,5 м/с ²

5 Підготовка до роботи

ОБЕРЕЖНО

Ризик отримання травм внаслідок непередбаченого увімкнення інструмента!

- ▶ Перш ніж установлювати акумуляторну батарею, переконайтеся, що відповідний інструмент вимкнений.
- ▶ Від'єднайте акумуляторну батарею, перш ніж задавати налаштування інструмента або замінити приладдя.

Дотримуйтеся попереджувальних вказівок та вказівок з техніки безпеки, наведених у цьому документі та на корпусі інструмента.

5.1 Заряджання акумуляторної батареї

1. Перед заряджанням акумуляторної батареї прочитайте інструкцію з експлуатації зарядного пристрою.
2. Контакти акумуляторної батареї та зарядного пристрою повинні бути чистими та сухими.
3. Заряджайте акумуляторну батарею тільки за допомогою тих зарядних пристроїв, які допущені до застосування з нею.



5.2 Установлення акумуляторної батареї

ОБЕРЕЖНО

Ризик отримання травм внаслідок короткого замикання або падіння акумуляторної батареї!

- ▶ Перш ніж установлювати акумуляторну батарею, переконайтеся, що на контактах батареї та інструмента немає сторонніх предметів.
 - ▶ Завжди перевіряйте, щоб акумуляторна батарея була правильно зафіксована.
-
1. Перед першим використанням акумуляторну батарею слід повністю зарядити.
 2. Уставте акумуляторну батарею у тримач на інструменті таким чином, щоб вона зафіксувалася із чітким характерним звуком.
 3. Переконайтеся, що акумуляторна батарея надійно зафіксована в інструменті.

5.3 Виймання акумуляторної батареї

1. Натисніть на деблокувальні кнопки акумуляторної батареї.
2. Дістаньте акумуляторну батарею з інструмента.

5.4 Змінні робочі інструменти

Щоб обрати робочий інструмент відповідно до оброблюваного матеріалу, зверніться до наведеного рисунку.

Пояснення типів матеріалу:

- A: Плаский листовий метал
- B: Гофрований листовий метал
- C: Трапецієподібний листовий метал (макс. глибина профілю – 85 мм)
- D: Трапецієподібний листовий метал (макс. глибина профілю – 162 мм)

Щоб розрізати без задилок листовий метал товщиною до 1 мм за допомогою робочих інструментів SPN-RN та SPN-RL, можна використовувати матрицю P1. Що менший зазор між пуансоном і матрицею, то менша ймовірність утворення задилок.

5.5 Змінення робочого інструмента

1. Послабте стопорний палець, повернувши його шість разів проти годинникової стрілки.
2. Дістаньте робочий інструмент із корпусу.

5.6 Установлення робочого інструмента

1. Змастіть напрямну пуансона.
2. Уставте пуансон у проріз штовхача.
3. Відрегулюйте напрямок різання таким чином, щоб різання здійснювалось уперед.
4. Уставте у корпус робочий інструмент, розташований згідно з напрямком різання уперед.
5. Після цього встановіть робочий інструмент у те положення, яке відповідає потрібному напрямку різання.
6. Закрутіть стопорний палець, обертаючи його за годинниковою стрілкою, та затягніть його вручну.
 - ▶ Тримач матриці повинен щільно прилягати до корпусу.

5.7 Установлення напрямку різання

За необхідності Ви можете регулювати напрямок різання, зміщуючи його вправо або вліво з кроком у 45°.

Це полегшує обробку профільованого листового металу; крім того, завдяки цьому висічні ножиці може зручно використовувати як оператор-правша, так і оператор-лівша.

1. Послабте стопорний палець, повернувши його приблизно на три оберти проти годинникової стрілки, доки зачеплення вже не відчуватиметься.
2. Злегка потягніть за робочий інструмент, але не виймайте його з корпусу повністю, після чого поверніть робочий інструмент потрібним чином.
 - ▶ Конструкція передбачає вісім можливих положень.
3. Коли робочий інструмент знаходиться у потрібному положенні, установіть його назад у корпус.



4. Закрутіть стопорний палець, обертаючи його за годинниковою стрілкою, та затягніть його вручну.
 - ▶ Тримач матриці повинен щільно прилягати до корпусу.

5.8 Регулювання кількості робочих ходів

- ▶ Відрегулюйте кількість робочих ходів за допомогою регулювального колеса для встановлення частоти обертання.

6 Експлуатація

Дотримуйтеся попереджувальних вказівок та вказівок з техніки безпеки, наведених у цьому документі та на корпусі інструмента.

6.1 Увімкнення

1. Натисніть на задню частину вимикача.
2. Пересуньте вимикач уперед.
 - ▶ Двигун працює.
3. Зафіксуйте вимикач.

6.2 Різання

ПОПЕРЕДЖЕННЯ

Обережно! Небезпека перенавантаження висічних ножиць через використання затуплених робочих інструментів!

- ▶ Регулярно перевіряйте вістря пуансона на предмет зношення. Своєчасно замінійте пуансон, щоб подовжити термін експлуатації висічних ножиць.
1. Змащуйте мастилом лінію розрізу – це подовжить термін експлуатації пуансона та підвищить якість результатів різання.
 2. Увімкніть інструмент. → стор. 153
 3. Коли досягнута максимальна частота обертання, підведіть висічні ножиці до оброблюваної деталі.
 - ▶ Якщо Ви виконуєте розріз усередині деталі, слід просвердлити початковий отвір, який відповідає використовуваному робочому інструменту.
 4. Проведіть інструмент вздовж відміченої лінії розрізу.
 5. Після завершення різання вимкніть інструмент. Якщо розріз завершується у межах деталі, спочатку відведіть увімкнений інструмент у розрізі на декілька міліметрів назад, а тільки потім вимкніть інструмент.



Не кладіть інструмент на стружку, доки він повністю не зупиниться. Інакше двигун може затягнути частки стружки всередину корпусу.

6.3 Різання за шаблоном

Параметр: SPN-CN

Для різання за шаблоном необхідне виконання таких вимог:

- Товщина шаблону повинна дорівнювати 5–7 мм.
- Контур шаблону повинен знаходитися на відстані 2,5 мм від контуру різання.
- Мінімальний радіус різання становить 4 мм. Тому мінімальний радіус шаблону відповідно становить 6,5 мм.
- Висічні ножиці слід направляти таким чином, щоб зовнішня кромка напрямної пуансона завжди прилягала до шаблону.

6.4 Вимкнення інструмента

- ▶ Натисніть на задню частину вимикача.
 - ▶ Вимикач переходить у положення вимкнення, після чого двигун зупиняється.



7 Додаткове приладдя

7.1 Установлення мішка для стружки

Параметр: SPN-CN

Щоб уникнути неконтрольованого розлітання стружки, на інструмент можна встановити мішок, у якому буде накопичуватися стружка.

1. Стисніть обидва кінця пружини на мішку для стружки.
2. Розташуйте мішок так, щоб пружина охоплювала нижній край матриці, після чого відпустіть кінці пружини.
3. Переконайтеся, що пружина та мішок для стружки встановлені належним чином і надійно закріплені.

8 Догляд і технічне обслуговування



ПОПЕРЕДЖЕННЯ

Небезпека травмування під час виконання робіт на інструменті з установленою акумуляторною батареєю!

- ▶ Завжди діставайте з інструмента акумуляторну батарею, перш ніж розпочинати будь-які роботи з догляду та технічного обслуговування!

Догляд за інструментом

- Обережно видаляйте накопичення бруду.
- Зніміть фільтр для уловлювання пилу та обережно прочистьте його і вентиляційні прорізи сухою щіткою.
- Протирайте корпус вологою тканиною. Забороняється використовувати миючі засоби, що містять силікон, оскільки вони можуть пошкодити пластмасові деталі.

Догляд за літій-іонними акумуляторними батареями

- Тримайте акумуляторну батарею у чистоті, не допускайте її забруднення мастильними матеріалами.
- Протирайте корпус вологою тканиною. Забороняється використовувати миючі засоби, що містять силікон, оскільки вони можуть пошкодити пластмасові деталі.
- Уникайте потрапляння вологи всередину інструмента.

Технічне обслуговування

- Регулярно перевіряйте усі зовнішні частини на наявність пошкоджень, а органи керування інструмента – на предмет справної роботи.
- Якщо Ви виявили пошкодження та/або порушення функціональності інструмента, припиніть його використання. Негайно зверніться до сервісної служби компанії **Hilti** для здійснення ремонту.
- Після проведення догляду і технічного обслуговування встановіть усі захисні пристрої та перевірте їхню роботу.



Щоб гарантувати належну роботу інструмента, використовуйте тільки оригінальні запасні частини та видаткові матеріали. Рекомендовані запасні частини, видаткові матеріали та приладдя для Вашого інструмента Ви можете придбати у найближчому магазині **Hilti Store** або на веб-сайті www.hilti.group.

8.1 Заміна пуансона



Кожного разу під час заміни пуансона перевіряйте на наявність ознак зношення матрицю, напрямну пуансона та зношувальну пластину (не стосується робочого інструмента SPN-CN); за необхідності замінійте й ці деталі.

1. Зніміть робочий інструмент. → стор. 152
2. Вийміть зношений пуансон із робочого інструмента.
3. Змастіть новий пуансон і напрямну пуансона у робочому інструменті.



4. Якщо наступна комплектація є у наявності, додатково виконайте цю дію:

Параметр: SPN-RL

- ▶ Установіть подовжувач штовхача між штовхачем та пуансоном, а потім змастіть подовжувач штовхача.

5. Установіть робочий інструмент. → стор. 152

8.2 Заміна матриці 9

Параметр: SPN-CN

1. Дістаньте з прорізу запобіжне кільце, потягнувши його вгору.
2. За допомогою належного інструмента натисніть на циліндричний штифт та дістаньте його.
3. Зніміть матрицю з опорного штифта.
4. Установіть на опорний штифт нову матрицю.
5. Установіть на місце циліндричний штифт.
6. Перемістіть запобіжне кільце вниз у проріз, після чого переконайтеся, що воно вірно установлене.

8.3 Заміна напрямної пуансона 10

Параметр: SPN-CN

ОБЕРЕЖНО

Небезпека пошкодження інструмента та ріжучих робочих інструментів!

- ▶ Перш ніж закручувати кріпильні гвинти, прочищайте різьбу.
- ▶ Завжди використовуйте нові кріпильні гвинти, які входять до комплекту постачання, та додержуйтесь указанного значення моменту затягування.

1. Від'єднайте матрицю. → стор. 155
2. Викрутіть кріпильні гвинти.
3. Зніміть напрямну пуансона.
4. Установіть нову напрямну пуансона.
5. Закрутіть кріпильні гвинти із зазначеним обертовим моментом.

Технічні дані

Момент затягування

3 Н·м

6. Знову приєднайте матрицю.

8.4 Заміна матриці, напрямної пуансона та зношувальної пластини 11, 12

Параметр: SPN-RN

АБО SPN-RL

ОБЕРЕЖНО

Небезпека пошкодження інструмента та ріжучих робочих інструментів!

- ▶ Перш ніж закручувати кріпильні гвинти, прочищайте різьбу.
- ▶ Завжди використовуйте нові кріпильні гвинти, які входять до комплекту постачання, та додержуйтесь указанного значення моменту затягування.

1. Викрутіть кріпильні гвинти.
2. Зніміть напрямну пуансона та матрицю.
3. Перевірте зношувальну пластину на наявність слідів зношення.

Результат

Якщо помітні значні сліди зношення:

- ▶ Від'єднайте зношувальну пластину та установіть на її місце нову.
4. Прочистьте опорну поверхню в місці установлення матриці.
 5. Відцентруйте напрямну пуансона та матрицю за допомогою установчих шпів.
 6. Закрутіть кріпильні гвинти вручну.
 7. Змастіть робочі поверхні напрямної пуансона.



2253588

Українська

155

8. Закрутіть кріпильні гвинти навхрест із зазначеним обертовим моментом.

Технічні дані	
Момент затягування	3 Н·м

9 Транспортування і зберігання акумуляторних інструментів

Транспортування

ОБЕРЕЖНО

Непередбачене увімкнення інструмента під час транспортування !

- ▶ На час транспортування завжди діставайте з інструмента акумуляторну батарею!
- ▶ Вийміть акумуляторні батареї.
- ▶ Не слід перевозити акумуляторні батареї у незапакованому вигляді.
- ▶ Перш ніж використовувати інструмент та акумуляторні батареї після дальніх перевезень, їх слід перевірити на наявність пошкоджень.

Зберігання

ОБЕРЕЖНО

Непередбачене пошкодження інструмента через несправність акумуляторної батареї або через виток електроліту з акумуляторної батареї !

- ▶ На час зберігання завжди діставайте з інструмента акумуляторну батарею!
- ▶ Зберігайте інструмент та акумуляторні батареї у якомога більш прохолодному та сухому місці.
- ▶ Забороняється зберігати акумуляторні батареї на сонці, на опалювальних приладах або на підвіконні.
- ▶ Зберігайте інструмент та акумуляторні батареї у сухому місці, недоступному для дітей та сторонніх осіб.
- ▶ Перш ніж використовувати інструмент та акумуляторні батареї після довгого зберігання, їх слід перевірити на наявність пошкоджень.

10 Допомога у разі виникнення несправностей

У разі виникнення несправностей, які не зазначені у цій таблиці або які Ви не можете полагодити самостійно, зверніться до сервісної служби компанії **Hilti**.

10.1 Пошук і усунення несправностей

Несправність	Можлива причина	Рішення
Акумуляторна батарея розряджається швидше, ніж звичайно.	Занадто низька температура навколишнього середовища.	▶ Зачекайте, доки акумуляторна батарея повільно нагріється до кімнатної температури.
Акумуляторна батарея не зафіксується з чітким відчуттям клацанням.	Фіксатори акумуляторної батареї засмічені.	▶ Прочистіть зачіпки фіксаторів та вставте акумуляторну батарею знову.
Мигає 1 світлодіод. Інструмент не працює.	Акумуляторна батарея розряджена.	▶ Замініть акумуляторну батарею та зарядіть розряджену акумуляторну батарею.
	Акумуляторна батарея занадто холодна або гаряча.	▶ Зачекайте, доки акумуляторна батарея повільно нагріється або охолоне до кімнатної температури.
Усі 4 світлодіоди мигають. Інструмент не працює.	Інструмент перенавантажений.	▶ Відпустіть вимикач та знову натисніть на нього. Після цього дайте інструменту попрацювати приблизно 30 секунд на холостому ходу.



Несправність	Можлива причина	Рішення
Інструмент або його акумуляторна батарея сильно перегріваються.	Електрична несправність	▶ негайно вимкніть інструмент, дістаньте акумуляторну батарею, поспостерігайте за нею, дайте їй охолонути, після чого зверніться до сервісної служби компанії Hilti .
Інструмент працює не на повну потужність.	Використовується акумуляторна батарея занадто низької ємності.	▶ скористайтеся акумуляторною батареєю достатньої ємності.
Ефективність різання поступово знижується	Зношений пуансон	▶ замініть пуансон. → стор. 154
Не працює функція гальмування двигуном.	Акумуляторна батарея розряджена.	▶ замініть акумуляторну батарею та зарядіть розряджену акумуляторну батарею.
	Сталося короткочасне перенавантаження інструмента.	▶ вимкніть інструмент, а потім увімкніть його знову.

11 Утилізація

Більшість матеріалів, з яких виготовлено інструменти компанії **Hilti**, придатні для вторинної переробки. Передумовою для їхньої вторинної переробки є належне сортування відходів за типом матеріалу. У багатьох країнах світу компанія **Hilti** приймає старі інструменти для їхньої утилізації. Щоб отримати додаткову інформацію з цього питання, звертайтеся до сервісної служби компанії **Hilti** або до свого торгового консультанта.

Утилізація акумуляторних батарей

У разі неналежної утилізації акумуляторних батарей з них можуть виходити небезпечні для здоров'я газу або рідини.

- ▶ Пошкоджені акумуляторні батареї забороняється пересилати поштою або кур'єрською службою!
- ▶ Закрийте контакти акумуляторних батарей електронепровідним матеріалом, щоб запобігти короткому замиканню.
- ▶ Утилізуйте акумуляторні батареї таким чином, щоб вони не потрапили до рук дітей.
- ▶ Щоб утилізувати акумуляторну батарею, передайте її до найближчого магазину **Hilti Store** або зверніться до представника відповідної компанії з утилізації відходів.



- ▶ Не викидайте електроінструменти, електронні пристрої та акумуляторні батареї у баки для побутового сміття!

12 RoHS (директива КНП про обмеження використання небезпечних речовин)

Щоб переглянути таблицю з інформацією про небезпечні речовини, будь ласка, перейдіть за таким посиланням: qr.hilti.com/r10695220.

Посилання на таблицю з інформацією про речовини, включені до директиви RoHS, наведено наприкінці цього документа у вигляді QR-коду.

13 Гарантійні зобов'язання виробника

- ▶ Із питань гарантії, будь ласка, звертайтеся до Вашого місцевого партнера компанії **Hilti**.



Түпнұсқа пайдалану бойынша нұсқаулық

1 Құжаттама бойынша деректер

1.1 Бұл құжаттама туралы



Импорттауыш және өндірушінің өкілетті ұйымы

- (RU) Ресей Федерациясы
"Хилти Дистрибьюшн ЛТД" АҚ, 141402, Мәскеу облысы, Химки қ., Ленинградская көш., ғим. 25
- (BY) Беларусь Республикасы
222750, Минск облысы, Дзержинский ауданы, Р-1, 18-ші км, 2 (Слободка ауылының жанында), 1-34 бөлімі
- (KZ) Қазақстан Республикасы
Қазақстан Республикасы, индекс 050011, Алматы қ., Пугачев көш., 4-үй
- (KG) Қырғыз Республикасы
"Т AND Т" ЖШҚ, 720021, Қырғызстан, Бішкек қ., Ибраимов көш., 29 А үйі
- (AM) Армения Республикасы
Эйч-Кон ЖШҚ, Армения Республикасы, Ереван қ., Бабаян көш., 10/1 үйі

Өндірілген елі: жабдықтағы белгілеу тақтайшасын қараңыз.

Өндірілген күні: жабдықтағы белгілеу тақтайшасын қараңыз.

Тісті сертификатты мына мекенжай бойынша табуға болады: www.hilti.ru

Сақтау, тасымалдау және пайдалану шарттарына пайдалану бойынша нұсқаулықта белгіленгеннен басқа арнайы талаптар қойылмайды.

Өнімнің қызмет ету мерзімі 5 жыл.

- Іске қосу алдында осы құжаттаманы оқып шығыңыз. Бұл қауіпсіз жұмыс пен ақаусыз басқару үшін алғышарт болып табылады.
- Осы құжаттамадағы және өнімдегі қауіпсіздік және ескерту нұсқауларын орындаңыз.
- Пайдалану бойынша нұсқаулықты әрдайым өнімде сақтаңыз және оны басқа тұлғаларға тек осы нұсқаулықпен бірге тапсырыңыз.

1.2 Шартты белгілердің анықтамасы

1.2.1 Ескерту

Ескертулер өнімді қолдану барысындағы қауіптер туралы ескертеді. Төмендегі сигналдық сөздер пайдаланылады:

ҚАУІПТІ

ҚАУІПТІ !

- ▶ Ауыр жарақаттарға әкелетін немесе өмірге қауіп төндіретін тікелей қауіпті жағдайдың жалпы белгіленуі.

ЕСКЕРТУ

ЕСКЕРТУ !

- ▶ Ауыр жарақаттарға әкелуі немесе өмірге қауіп төндіруі мүмкін ықтимал қауіпті жағдайдың жалпы белгіленуі.

АБАЙЛАҢЫЗ

АБАЙЛАҢЫЗ !

- ▶ Жарақат алуға немесе мүліктің зақымдалуына әкелуі мүмкін ықтимал қауіпті жағдайдың жалпы белгіленуі.

1.2.2 Құжаттамадағы белгілер

Бұл құжаттамада төмендегі белгілер пайдаланылады:



	Пайдалану алдында пайдалану бойынша нұсқаулықты оқу қажет
	Аспапты пайдалану бойынша нұсқаулар және басқа пайдалы ақпарат
	Қайта пайдалануға болатын материалдармен жұмыс істеу
	Электр аспаптарды және аккумуляторларды тұрмыстық қоқысқа тастамаңыз

1.2.3 Суреттердегі белгілер

Суреттерде төмендегі белгілер қолданылады:

	Бұл сандар осы нұсқаулықтың басындағы әр суретке сәйкес келеді
3	Нөмірлеу суреттегі жұмыс қадамдарының реттілігін білдіреді және мәтіндегі жұмыс қадамдарынан өзгешеленуі мүмкін
	Позиция нөмірлері Шолу суретінде қолданылады және Өнімге шолу мақаласындағы шартты белгілердің нөмірлеріне сілтейді
	Аталмыш белгілер өнімді қолдану барысында айрықша назарыңызды аудартады.

1.3 Өнімге қатысты белгілер

1.3.1 Өнімдегі белгілер

Өнімде төмендегі белгілер пайдаланылуы мүмкін:

	Құрылғы iOS және Android платформаларымен үйлесімді NFC технологиясын қолдайды.
	Пайдаланылған HilTi литий-ион аккумуляторларының сериясы. Қолдану мақсаты бөліміндегі нұсқауларды орындаңыз.
	Аккумуляторды еш жағдайда соқпа құрал ретінде пайдаланбаңыз.
	Аккумуляторды құлатып жібермеңіз. Соққы тиген немесе басқа жолмен зақымдалған аккумуляторды пайдаланбаңыз.
Li-Ion	Литий-иондық аккумулятор
	Тұрақты ток
	Қорғауыш көзілдірікті тағу

1.4 Өнім туралы ақпарат

HILTI өнімдері кәсіби пайдаланушыларға арналған және оларды тек қана өкілетті, білікті қызметкерлер пайдалануы, күтім және техникалық қызмет көрсетуі тиіс. Қызметкерлер қауіпсіздік техникасы бойынша арнайы нұсқау алуы керек. Өнім мен оның қосалқы құралдарын басқа мақсатта қолдану немесе олардың оқытылмаған қызметкерлердің таралынан пайдаланылуы қауіпті.

Түр сипаттамасы мен сериялық нөмір фирмалық тақтайшада берілген.

- Сериялық нөмірді төмендегі кестеге көшіріп қойыңыз. Өнім туралы мәліметтерді өкілдігімізге немесе қызмет көрсету бөлімімізге сұрау беру арқылы алуға болады.

Өнім туралы мәліметтер

Шапқыш қайшы	SPN 6-A22
Буын:	01
Сериялық нөмір:	



1.5 Сәйкестілік декларациясы

Біз осы нұсқаулықта сипатталған өнімнің қолданыстағы директивалар мен нормативтерге сәйкес келетінін толық жауапкершілікпен жариялаймыз. Сәйкестілік декларациясының суреті осы құжаттамааның соңында орналасқан.

Техникалық құжаттама мына жерде сақталған:

Hilti Entwicklungsgesellschaft mbH | Zulassung Geräte | Hiltistraße 6 | 86916 Kaufering, DE

2 Қауіпсіздік

2.1 Электр құралдары үшін қауіпсіздік техникасы бойынша жалпы нұсқаулар

⚠ ЕСКЕРТУ Бұл электр құралына арналған барлық қауіпсіздік нұсқауларын, нұсқауларды, суреттерді және техникалық деректерді оқып шығыңыз. Төменде берілген нұсқауларды орындамай электр тогының соғуына, өртке әкелуі мүмкін және/немесе ауыр жарақаттарды тудыруы мүмкін.

Қауіпсіздік техникасы бойынша барлық нұсқауларды және нұсқауларды келесі пайдаланушы үшін сақтаңыз.

Қауіпсіздік нұсқауларында қолданылатын «электр құралы» термині электр желісінен (желілік кабельмен) және аккумулятордан (желілік кабельсіз) жұмыс істейтін электр құралын білдіреді.

Жұмыс орны

- ▶ **Жұмыс орнындағы тазалықты және тәртіпті қадағалаңыз.** Жұмыс орнындағы ретсіздік және нашар жарық сәтсіз жағдайларға әкелуі мүмкін.
- ▶ **Жанғыш сұйықтықтар, газдар немесе шаң бар жарылыс қаупі бар аймақта электр құралын қолданбаңыз.** Жұмыс кезінде электр құралдары ұшқындар шығады және ұшқындар шаңды немесе буларды тұтандыруы мүмкін.
- ▶ **Балалардың және бөгде адамдардың жұмыс істеп тұрған электр құралына жақындауына рұқсат етпеңіз.** Жұмысқа көңіл бөлмегенде, электр құралын бақылау жоғалуы мүмкін.

Электр қауіпсіздігі

- ▶ **Электр құралдың байланыс ашасы электр желісінің розеткасына сай болуы керек. Айырдың конструкциясын өзгертіпеңіз. Қорғауыш жерге қосуы бар электр құралдарымен бірге өтпелі айырларды қолданбаңыз.** Түпнұсқа айырлар және оларға сай розеткалар электр тогының соғу қаупін азайтады.
- ▶ **Жерге қосылған беттерге, мысалы, құбырларға, жылыту құралдарына, пештерге (плиталарға) және тоңазытқыштарға тікелей тиюді болдырмаңыз.** Жерге қосылған заттарға тигенде электр тогының соғуының үлкен қаупі туындайды.
- ▶ **Электр құралдарды жаңбырдан немесе ылғал әсерінен сақтаңыз.** Электр құралға су тиюі нәтижесінде электр тогының соғу қаупі артады.
- ▶ **Байланыс сымын басқа мақсатта қолданбаңыз, мысалы, электр құралды тасымалдау, оны іліп қою немесе электр желісінің розеткасынан айырды шығару үшін.** Байланыс сымын жылу, май, өткір жиектер немесе жылжымалы бөліктерден алшақ ұстаңыз. Байланыс сымының зақымдалуы немесе қабаттасуы нәтижесінде электр тогының соғу қаупі артады.
- ▶ **Егер жұмыстар ашық ауада орындалса, тек бөлмелерден тыс қолдануға рұқсат етілген ұзартқыш сымдарды пайдаланыңыз.** Бөлмелерден тыс қолдануға жарамды ұзартқыш сымды пайдалану электр тогының соғу қаупін азайтады.
- ▶ **Егер электр құралмен ылғалдылық жағдайларында жұмыс істеуді болдырмау мүмкін емес болса, шығып кететін токтан қорғау автоматын қолданыңыз.** Шығып кететін токтан қорғау автоматын қолдану электр тогының соғу қаупін азайтады.

Адамдардың қауіпсіздігі

- ▶ **Ұқыпты болыңыз, әрекеттеріңізге көңіл бөліңіз және электр құралымен жұмыс істеуге дұрыс қараңыз.** Шаршаған кезде немесе есірткі, алкоголь не дәрі қабылдаған соң электр құралын қолданбаңыз. Электр құралын қолданған кездегі зейінсіздік ауыр жарақаттарға апарып соғуы мүмкін.
- ▶ **Жеке қорғану құралдарын пайдаланыңыз және әрқашан міндетті түрде қорғауыш көзілдірікті киіңіз.** Электр құралының түріне және пайдалану жағдайларына байланысты жеке қорғану құралдарын, мысалы, шаңнан қорғайтын респираторды, сырғымайтын аяқ киімді, қорғауыш шлемді, естуді қорғау құралдарын қолдану жарақаттану қаупін азайтады.
- ▶ **Электр құралының кездейсоқ қосылуын болдырмаңыз.** Электр қуатына қосу және/немесе аккумуляторды қою, көтеру немесе тасымалдау алдында электр құралы өшірілгеніне көз жеткізіңіз. Электр құралын тасымалдағанда саусақтар сөндіргіште болатын немесе қосылған электр құралы желіге қосылатын жағдайлар сәтсіз жағдайларға әкелуі мүмкін.



- ▶ **Электр құралын қосу алдында реттеуші құрылғыларды және гайка кілтін алыңыз.** Электр құралының айналатын бөлігіндегі аспап немесе кілт жарақаттарға әкелуі мүмкін.
- ▶ **Жұмыс кезінде ыңғайсыз қалыптарға тұрмауға тырысыңыз. Үнемі тұрақты күйді және тепе-теңдікті сақтаңыз.** Бұл күтпеген жағдайларда электр құралын жақсырақ басқаруға мүмкіндік береді.
- ▶ **Арнайы киімді киіңіз. Өте бос киімді немесе әшекейлерді кимеңіз. Шашты, киімді және қолғапты электр құралының айналатын түйіндерінен сақтаңыз.** Бос киім, әшекейлер және ұзын шаш оларға ілінуі мүмкін.
- ▶ **Егер шаңды жинау және кетіруге арналған құрылғыларды қосу қарастырылған болса, олар қосылғанына және мақсаты бойынша қолданылып жатқанына көз жеткізіңіз.** Шаңды кетіру модулін пайдалану шаңның зиянды әсерін азайтады.
- ▶ **Өз мойныңызға қате қауіпсіздік сезімін алмаңыз және электр құралына арналған қауіпсіздік ережелерін бұзбаңыз, тіпті электр құралын жиі қолданатын тәжірибелі пайдаланушы болсаңыз.** Мұқиятсыз қолдану бірнеше секундта ауыр жарақаттануға апарып соғуы мүмкін.

Электр құралын қолдану және оған қызмет көрсету

- ▶ **Аспапқа шамадан тыс жүктеме түсуін болдырмаңыз. Нақ осы жұмысқа арналған электр құралын қолданыңыз.** Бұл ережені сақтау көрсетілген қуат диапазонында жоғарырақ жұмыс сапасын және қауіпсіздігін қамтамасыз етеді.
- ▶ **Сендіргіші бұзылған электр құралын қолданбаңыз.** Қосу немесе өшіру қиын электр құралы қауіпті және оны жөндеу керек.
- ▶ **Электр құралын реттеуге, саймандарды ауыстыруға кірісу алдында немесе жұмыстағы үзіліс алдында розеткадан ашаны және/немесе электр құралынан алмалы-салмалы аккумуляторды шығарыңыз.** Бұл сақтық шарасы электр құралының кездейсоқ қосылуын болдырмайды.
- ▶ **Қолданылмайтын электр құралдарын балалар жетпейтін жерде сақтаңыз. Аспаппен таныс емес немесе осы нұсқауларды оқып шықпаған адамдарға аспапты пайдалануға рұқсат бермеңіз.** Электр құралдары тәжірибесі жоқ пайдаланушылардың қолында қауіпті болады.
- ▶ **Электр құралдары мен керек-жарақтарға ұқыпты қараңыз. Айналмалы бөліктердің мүлтіксіз қызмет ететінін, олардың жүрісінің жеңілдігін, барлық бөліктердің тұтастығын және электр құралының жұмысына теріс әсер етуі мүмкін зақымдардың жоқтығын тексеріңіз. Аспаптың зақымдалған бөліктерін оны қолдану алдында жөндеуге өткізіңіз.** Электр құралына техникалық қызмет көрсету ережелерін сақтамау көп сәтсіз жағдайлардың себебі болып табылады.
- ▶ **Кескіш аспаптардың үшкір және таза болуын қадағалау керек.** Жұмыс күйінде сақталатын кескіш аспаптардың сыналануы сиректеу болады, оларды басқару жеңілдеу.
- ▶ **Электр құралын, саймандарды, көмекші құрылғыларды және т.б. нұсқауларға сай пайдаланыңыз.** Бұл кезде жұмыс жағдайларын және орындалатын жұмыстың сипатын ескеріңіз. Электр құралдарын басқа мақсаттарда қолдану қауіпті жағдайларға әкелуі мүмкін.
- ▶ **Тұтқыштар мен тұтқыш беттерін таза, құрғақ, май іздерінсіз ұстаңыз.** Сырғанақ тұтқыштар мен олардың беттері белгілі бір жағдайларда электр құралының қауіпсіз қолданылуы мен басқарылуына жол бермейді.

Аккумуляторлық аспапты пайдалану және оған қарау

- ▶ **Аккумуляторды тек өндіруші ұсынған зарядтағыш құрылғылардың көмегімен зарядтаңыз.** Зарядтағыш құрылғыны тиісті емес аккумулятор түрлерін зарядтау үшін қолданғанда өрт туындауы мүмкін.
- ▶ **Аспаппен жұмыс істеу үшін тек тиісті аккумуляторларды қолданыңыз.** Басқа аккумуляторларды пайдалану жарақаттарға әкелуі және өрт тудыруы мүмкін.
- ▶ **Пайдаланылмайтын аккумуляторларды контакттардың тұйықталуының себебі болуы мүмкін скрепалардан, тындардан, кілттерден, инелерден, винттерден және басқа металл заттардан ары сақтаңыз.** Аккумулятор контактарының тұйықталуы күйіктерге немесе тұтануға әкелуі мүмкін.
- ▶ **Аккумулятормен тиісті емес түрде жұмыс істегенде одан электролит ағып шығуы мүмкін. Оған тигенді болдырмаңыз. Кездейсоқ тигенде сумен шайыңыз.** Электролит кезге тигенде дәрігер көмегіне жүгініңіз. Аккумулятордан ағып шыққан электролит тері тітіркенуін немесе күйіктерді тудыруы мүмкін.
- ▶ **Зақымдалған не пішіні өзгертілген аккумуляторларды қолданбаңыз.** Зақымдалған не пішіні өзгертілген аккумуляторларды болжауға болмайды және олар өрт, жарылыс не жарақаттану қаупін тудырады.
- ▶ **Аккумуляторды өрт не жоғары температуралы аймақтардан алшақ ұстаңыз.** Өрт немесе 130 °C (265 °F) жоғары температуралар жарылыс тудыруы мүмкін.
- ▶ **Зарядтау үшін барлық нұсқауларды орындаңыз және аккумулятор не аккумуляторлық құралды ешқашан пайдалану бойынша нұсқаулықта берілген температура ауқымдарынан**



тыс зарядтамаңыз. Қате зарядтау немесе рұқсатты температура ауқымдарынан тыс зарядтау аккумуляторды бұзуы және өрт қаупін арттыруы мүмкін.

Қызмет

- ▶ **Электр құралын жөндеуді тек түпнұсқа қосалқы бөлшектерді қолданатын білікті қызметкерлерге сеніп тапсырыңыз.** Бұл электр құралын қауіпсіз күйде сақтауды қамтамасыз етеді.
- ▶ **Зақымдалған аккумуляторларға ешқашан қызмет көрсетпеңіз.** Аккумулятордың толық күтімін тек өндіруші немесе өкілетті қызмет көрсету орталықтары орындауы тиіс.

2.2 Аккумулятормен дұрыс жұмыс істеу және оны дұрыс пайдалану

- ▶ Li-Ion аккумуляторын тасымалдау, сақтау және пайдалану бойынша арнайы нұсқаулардың талаптарын орындаңыз.
- ▶ Аккумуляторларды жоғары температуралар, тікелей күн сәулесі мен өрттен алшақ ұстаңыз.
- ▶ Аккумуляторларды бөлшектеуге, қысуға, 80°C-тан жоғары температураға дейін қыздыруға және жағуға тыйым салынады.
- ▶ Соққы тиген, бір метрден жоғары биіктіктен құлаған немесе басқа жолмен зақымдалған аккумуляторларды пайдалануға немесе зарядтауға болмайды. Мұндай жағдайда әрдайым **Нилти сервистік қызметіңізге** хабарласыңыз.
- ▶ Егер тиген кезде аккумулятор тым ыстық болса, ол ақаулы болуы мүмкін. Аккумуляторды тұтанғыш материалдардан жеткілікті қашықтықта орналасқан, жақсы көрінетін, тұтанбайтын жерге қойыңыз. Аккумуляторды суытыңыз. Аккумулятор бір сағаттан кейін өлі де қолға ыстық болып тұрса, бұл оның ақаулы екендігін білдіреді. **Нилти қызмет көрсету орталығына** хабарласыңыз.

2.3 Қауіпсіздік техникасы бойынша қосымша нұсқаулар

Адамдардың қауіпсіздігі

- ▶ Өніммен жұмыс істеген кезде қорғаныш қолғап киіп жүріңіз. Алмалы-салмалы аспап пайдалану кезінде қызып, күйіп қалу қаупін тудырады. Пайда болатын кесік жиектері мен металл жоңқасының қырлары өткір және жарақат алу қаупін тудырады.
- ▶ Жұмыс уақытында қолдар төрлемейі үшін саусақтарды босату және жаттықтыру үшін үзілістер жасаңыз.
- ▶ Қорғауыш құлаққапты киіңіз. Шу әсерінің нәтижесінде есту қабілеті жоғалуы мүмкін.
- ▶ Өніммен бас үстінен жұмыс істемейіз.

Электр қауіпсіздігі

- ▶ Ток өткізгіш материалдармен жиі жұмыс істегенде ластанатын аспапты тұрақты түрде Нилти қызмет көрсету орталығына тексертіңіз. Қолайсыз жағдайларда аспап бетінде жиналатын ылғал мен шаң (әсіресе төк өткізгіш материалдардан) электр тогының соғуын тудыруы мүмкін.
- ▶ Электр құралдың желдету саңылауларын тұрақты түрде тазалаңыз. Қозғалтқыш желдеткіші корпусына тартылатын металл шаңының артық концентрациясы электр тогының соғу қаупін тудыруы мүмкін.
- ▶ Жұмысты бастау алдында жұмыс орнында жасырын электр сымдарының, газ және су жүргізу құбырларының бар-жоғын тексеріңіз, мысалы, металл іздегіш көмегімен. Қуат сымдарына, мысалы, кездейсоқ зақым келтірсеңіз, аспаптың ашық металл бөліктері электр тогының өткізгіштеріне айналуы мүмкін.
- ▶ Ток өткізетін дайындамаларды кеспеңіз.

Жұмыс орны

- ▶ Жұмыс орнындағы тазалықты сақтаңыз. Металл жоңқасы өткір болып табылады және денеге сызат түсіруі мүмкін.

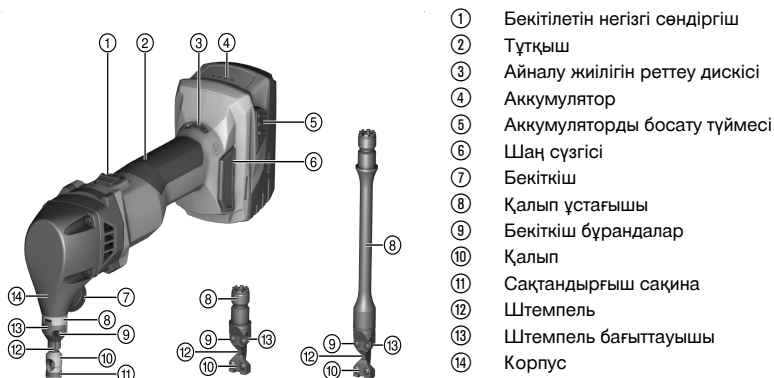
Электр құралдарымен дұрыс жұмыс істеу және дұрыс пайдалану

- ▶ Өнімде жоңқа мен кірдің жоқтығына көз жеткізіңіз. Жұмыс барысында қосқыш/ажыратқыштың айналасында ешқандай жоңқа болмағанына көз жеткізіңіз. Жоңқа қосқыш/ажыратқыштың бітелуіне әкеліп, өнім бұдан былай өшірілмейі мүмкін.



3 Сипаттама

3.1 Өнімге шолу



- 1 Бекітілетін негізгі сәндіргіш
- 2 Тұтқыш
- 3 Айналу жиілігін реттеу дискісі
- 4 Аккумулятор
- 5 Аккумуляторды босату түймесі
- 6 Шаң сүзгісі
- 7 Бекіткіш
- 8 Қалып ұстағышы
- 9 Бекіткіш бұрандалар
- 10 Қалып
- 11 Сақтандырғыш сақина
- 12 Штемпель
- 13 Штемпель бағыттауышы
- 14 Корпус

3.2 Мақсатына сай қолдану

Сипатталған өнім қолмен басқарылатын аккумуляторлық шапқыш қайшы болып табылады. Ол болат, алюминий, түрлі-түсті металл және пластмассадан жасалған тақта тәрізді дайындамаларды кесуге, тік немесе қиғаш сыртқы жиектер мен ішкі кесіктерді дірілмен кесуге және белгі бойынша дірілмен кесуге арналған. Дірілмен кесу арқылы өңдеу нәтижесінде қиғаштанусыз кесік жиектері қамтамасыз етіледі. Пайдаланылатын алмалы-салмалы аспапқа байланысты қосымша қолдану тәсілдері пайда болады.

SPN-CN: Бұл алмалы-салмалы аспап, сондай-ақ құбырларды кесуге, гофрленген табақ металды өңдеуге және үлгі бойынша дірілмен кесуге арналған. Қуыс домалақ штемпельге байланысты шапқыш қайшы жұмыс барысында нүкте бойынша бұралуы және өңдеу кез келген бағытпен жалғасуы мүмкін.

Таңдау бойынша: SPN-RN және SPN-RL: Аталмыш алмалы-салмалы аспаптар, сонымен қатар трапециялы табақ металл, гофрленген табақ металл, кассеталы табақ металл және бұрыштық профильдік тақтайлар сияқты табақ металл профильдерін кесуге арналған.

- ▶ Бұл өнім үшін тек В 22 қатарындағы **Hilti** Li-Ion аккумуляторларын ғана пайдаланыңыз.
- ▶ Бұл аккумуляторлар үшін тек C4/36 сериялы **Hilti** зарядтағыш құрылғысын пайдаланыңыз.

3.3 Жеткізілім жинағы

Шапқыш қайшы, жұлдызшалы кілт, пайдалану бойынша нұсқаулық

Қауіпсіз жұмысты қамтамасыз ету үшін тек түпнұсқа қосалқы бөлшектер мен шығын материалдарын қолданыңыз. Біз рұқсат еткен қосалқы бөлшектер, шығын материалдары мен өнімге арналған керек-жарақтар **Hilti Store** дүкенінде немесе келесі веб-сайтта қолжетімді: www.hilti.group



Өнімді жеткізу алдында оның жұмыс істеу мүмкіндігі тексерілді. Осылайша корпусың бетіне дайындамадан барынша аз сызат түсіріледі.

3.4 Аспаптың термоқорғанысы

Қозғалтқыштың термоқорғаныс жүйесі электр энергиясының тұтынуын және қозғалтқыштың қызуын басқарады және аспапты қызып кетуден қорғайды.

Басу қысымының салдарынан қозғалтқышқа шамадан тыс жүктеме түскенде, қуат айтарлықтай төмендейді, осының нәтижесінде аспап тоқтап қалуы мүмкін.

Шамадан тыс жүктемеден аспап тұрып қалған не айналу жылдамдығы азайған жағдайда аспапқа түсетін жүктемені азайту керек және оған шамамен 30 секунд бос жүрісте жұмыс істеуге мүмкіндік беру керек.

3.5 Li-Ion аккумуляторының заряд күйінің көрсеткіші

Li-Ion аккумуляторының заряд күйінің көрсеткіші екі аккумуляторды босату түймесін басу арқылы көрсетіледі.



Құралдың бөлшектері	Сипаттамасы
4 жарық диоды жанады.	Зарядтау күйі: 75 % - 100 %
3 жарық диоды жанады.	Зарядтау күйі: 50 % - 75 %
2 жарық диоды жанады.	Зарядтау күйі: 25 % - 50 %
1 жарық диоды жанады.	Зарядтау күйі: 10 % - 25 %
1 жарық диоды жыпылықтайды.	Зарядтау күйі: < 10 %

i Жұмыс уақытында және бірден жұмысты аяқтағаннан кейін зарядталу деңгейі туралы сұрау мүмкін емес. Аккумулятордың зарядталу деңгейі жарық диодтары жыпылықтаған жағдайда «Ақаулықтардағы көмек» бөліміндегі нұсқауларға назар аударыңыз.

4 Техникалық сипаттамалар

Шапқыш қайшы серияға байланысты SPN-CN алмалы-салмалы аспабымен бірге жеткізіледі. SPN-RN және SPN-RL қосымша керек-жарақ ретінде қолжетімді.

	SPN-CN	SPN-RN	SPN-RL
Номиналды кернеу	21,6 В	21,6 В	21,6 В
ЕРТА Procedure 01 бойынша салмағы, B228.0 аккумуляторын қоса	3,1 кг	3,0 кг	3,3 кг
Бос жүріс күйіндегі жүрістер саны	620 А/мин ... 1370 А/мин	620 А/мин ... 1370 А/мин	620 А/мин ... 1370 А/мин
Бастапқы саңылау диаметрі	17 мм	24 мм	24 мм
Қиғаш пішінді кесіктердегі ең кіші радиус	4,0 мм	•/•	•/•
Радиус	•/•	50 мм	50 мм
Кесік ізінің ені	8,0 мм	5,0 мм	5,0 мм
Рұқсат етілген материал қалыңдығы, болат, ең көбі 400 Н/мм²	2,0 мм / 14 Ga	2,0 мм / 14 Ga	2,0 мм / 14 Ga
Рұқсат етілген материал қалыңдығы, болат, ең көбі 600 Н/мм²	1,5 мм / 16 Ga	1,5 мм / 16 Ga	1,5 мм / 16 Ga
Рұқсат етілген материал қалыңдығы, болат, ең көбі 800 Н/мм²	1,0 мм / 20 Ga	1,0 мм / 20 Ga	1,0 мм / 20 Ga
Рұқсат етілген материал қалыңдығы, алюминий, ең көбі 250 Н/мм²	2,5 мм / 10 Ga	3,0 мм / 9 Ga	3,0 мм / 9 Ga

4.1 Аккумулятор

Аккумулятордың жұмыс кернеуі	21,6 В
Жұмыс кезіндегі қоршаған орта температурасы	-17 °C ... 60 °C
Сақтау температурасы	-20 °C ... 40 °C
Зарядтаудың басындағы аккумулятор температурасы	-10 °C ... 45 °C

4.2 EN 62841 стандарты бойынша шуыл туралы ақпарат және діріл мәні

Осы нұсқауларда көрсетілген дыбыс қысымы мен діріл деңгейі стандартты өлшеу әдісімен өлшенген және оны басқа электр құралдарымен салыстыру үшін пайдалануға болады. Сонымен бірге, ол экспозицияны алдын ала бағалау үшін жарайды.

Берілген деректер электр құралының негізгі жұмысын көрсетеді. Алайда, егер электр құралы басқа мақсаттарда, басқа жұмыс аспаптарымен қолданылса немесе оған қанағаттандырмайтын техникалық қызмет көрсетілсе, деректер өзгеше болуы мүмкін. Осының салдарынан аспаптың бүкіл жұмыс істеу кезеңінде экспозиция айтарлықтай артуы мүмкін.

Экспозицияны дәл анықтау үшін аспап сәндірілген күйде немесе бос жұмыс істейтін уақыт аралықтарын да ескеру керек. Осының салдарынан аспаптың бүкіл жұмыс істеу кезеңінде экспозиция айтарлықтай азаюы мүмкін.



Пайдаланушыны пайда болатын шуылдан және/немесе дірілден қорғау үшін қосымша сақтық шараларын қолданыңыз, мысалы: электр аспабына және жұмыс аспаптарына техникалық қызмет көрсету, қолдардың жылуын сақтау, жұмыс процестерін дұрыс ұйымдастыру.

Шуыл туралы ақпарат

А санаты бойынша өлшенген қысым бірліктері түріндегі шудың әдеттегі деңгейі (L_{pA})	91 дБ(A)
Дыбыс қысымының деңгейі бойынша дәлсіздік (K_{pA})	3 дБ(A)
А санаты бойынша өлшенген дыбыс қысымы деңгейінің мәні (L_{WA})	102 дБ(A)
Дыбыс күшінің деңгейі бойынша дәлсіздік (K_{WA})	3 дБ(A)

Діріл туралы ақпарат

	SPN-CN	SPN-RN	SPN-RL
Үш осьтік діріл мәні (a_{avr})	6,7 м/с ²	7,4 м/с ²	6,2 м/с ²
Дәлсіздік (K)	1,5 м/с ²	1,5 м/с ²	1,5 м/с ²

5 Жұмысқа дайындық

АБАЙЛАҢЫЗ

Жарақат алу қаупі абайсыздан қосылу себебінен!

- ▶ Аккумуляторды орнату алдында оған қатысты өнімнің өшірілгеніне көз жеткізіңіз.
- ▶ Аспап реттеулерін орындау немесе қосалқы бөлшектерді алмастыру алдында аккумуляторды шығарыңыз.

Осы құжаттамадағы және өнімдегі қауіпсіздік және ескерту нұсқауларын орындаңыз.

5.1 Аккумуляторды зарядтау

1. Зарядтау алдында зарядтағыш құрылғының пайдалану бойынша нұсқаулығын оқып шығыңыз.
2. Аккумулятордағы және зарядтағыш құрылғыдағы контактілердің таза әрі құрғақ екендігіне көз жеткізіңіз.
3. Аккумуляторды рұқсат етілген зарядтағыш құрылғы ішінде зарядтаңыз.

5.2 Аккумуляторды орнату

АБАЙЛАҢЫЗ

Жарақат алу қаупі қысқа тұйықталудан немесе аккумулятордың құлауынан!

- ▶ Аккумуляторды орнату алдында аккумулятор контактілерінде және өнімдегі контактілерде бөгде заттардың жоқтығына көз жеткізіңіз.
- ▶ Аккумулятордың әркез дұрыс орнатылғанына көз жеткізіңіз.

1. Аккумуляторды алғаш рет іске қоспас бұрын зарядтаңыз.
2. Аккумуляторды аспап ұстағышына шерту дыбысы шыққанша мұқият салыңыз.
3. Аккумулятордың аспапқа берік бекітілгенін тексеріңіз.

5.3 Аккумуляторды шығару

1. Аккумулятордың босату түймелерін басыңыз.
2. Аккумуляторды аспаптан шығарыңыз.

5.4 Аспаптар

Алмалы-салмалы аспаптың астыңғы бетке жарамды тіркесімін суреттен қараңыз.

Астыңғы беттің түсініктемесі:

- А: Жалпақ табақ металл
- В: Гофрленген табақ металл



- С: Трапециялы табақ металл (ең көбі 85 мм шамасындағы профиль тереңдіктері)
- D: Трапециялы табақ металл (ең көбі 162 мм шамасындағы профиль тереңдіктері)

SPN-RN және SPN-RL құралдарымен ең көбі 1 мм қалыңдықты табақ металда кенеріксіз кесік жасау үшін P1 қалыбын пайдалануға болады. Азырақ кесік саңылауы пайда болатын кенерікті азайтады.

5.5 Құралды бөлшектеу 3

1. Бекітішті сағат тілінің бағытына қарсы сегіз айналым бұрау арқылы босатыңыз.
2. Құралды корпусан тартып шығарыңыз.

5.6 Құралды орнату 4

1. Штемпель бағыттаушыын майлаңыз.
2. Штемпельді жылжыманың ойығына бекітіңіз.
3. Кесу бағытын алға қарай туралаңыз.
4. Құралды кесу бағытымен алға қарай корпус ішіне кіргізіңіз.
5. Содан кейін құралды қажетті кесу бағытында орналастырыңыз.
6. Бекітішті сағат тілінің бағытымен бұрап, оны қолмен тартыңыз.
 - ▶ Корпус пен қалып ұстағышының арасында саңылау болмауы тиіс.

5.7 Кесу бағытын реттеу 3

Қажет болса, кесу бағытын 45° қадаммен оңға немесе солға бұрауға болады.

Осылайша табақ металл профильдерін оңайырақ өңдеуге және шапқыш қайшыны оң немесе сол қолмен басқару режиміне орнатуға болады.

1. Бекітішті бекітілу сезілмегенше шамамен үш айналымға сағат тілінің бағытына қарсы бұрап босатыңыз.
2. Құралды корпусан сәл шығарып, оны қалаулы бағытпен бұраңыз.
 - ▶ Сегіз ықтимал бекіту күйі бар.
3. Құралды корпустағы қажетті бекіту күйіне қайтарыңыз.
4. Бекітішті сағат тілінің бағытымен бұрап, оны қолмен тартыңыз.
 - ▶ Корпус пен қалып ұстағышының арасында саңылау болмауы тиіс.

5.8 Жүрістер жиілігін орнату

- ▶ Жүрістер санын айналу жиілігін реттегіш дөңгелектің көмегімен реттеңіз.

6 Қызмет көрсету

Осы құжаттамадағы және өнімдегі қауіпсіздік және ескерту нұсқауларын орындаңыз.

6.1 Қосу

1. Қосқыш/ажыратқыштың артқы бөлігін басыңыз.
2. Қосқыш/ажыратқышты алға жылжытыңыз.
 - ▶ Қозғалтқыш жұмыс істеп тұр.
3. Қосқыш/ажыратқышты бекітіңіз.

6.2 Кесу 5

ЕСКЕРТУ

Абайлаңыз Дөкір құралдар шапқыш қайшыға артық жүктеме түсіреді!

- ▶ Әрдайым штемпельдің кескішінде тозған жерлердің бар-жоғын тексеріңіз. Шапқыш қайшыны сақтау үшін штемпельді дер кезінде алмастырыңыз.

1. Штемпельдің қызмет ету мерзімін ұзарту және кесу нәтижелерін жақсарту үшін кесік ізін майлаңыз.
2. Өнімді қосыңыз. → Бет 166
3. Толық айналу жиілігіне жеткен кезде, шапқыш қайшыны дайындамаға апарыңыз.
 - ▶ Іштен кесік жасаған кезде алдымен пайдаланылатын құралға жарамды бастапқы саңылауды дайындап қойыңыз.



4. Қажетті кесік сызығын өңдеңіз.
5. Кесуді аяқтаған соң өнімді өшіріңіз. Кесік ізі дайындамада аяқталса, қосылған өнімді алдымен кесік сызығында бірнеше миллиметрге кері тартыңыз да, содан кейін өнімді өшіріңіз.



Шапқыш қайшы толықтай тоқтамаған болса, оны жоңқаға орналастырмаңыз. Жоңқа қозғалтқышпен сорылуы мүмкін.

6.3 Үлгімен кесу

Опция: SPN-CN

Үлгімен кесуге мына талаптар қойылады:

- Үлгінің қалыңдығы 5 - 7 мм болуы тиіс.
- Үлгінің контуры кесік контурынан 2,5 мм арақашықтықта болуы тиіс.
- 4 мм шамасындағы минималды радиусты сақтаңыз. Үлгінің минималды радиусы сәйкесінше 6,5 мм құрайды.
- Шапқыш қайшыны штемпель бағыттаушының сыртқы жиегі әрдайым үлгіде жататындай етіп бағыттау керек.

6.4 Өшіру

- ▶ Қосқыш/ажыратқыштың артқы бөлігін басыңыз.
 - ▶ Қосқыш/ажыратқыш өшірулі күйіне орнатылып, қозғалтқыш тоқтатылады.

7 Қосымша аксессуарлар

7.1 Жоңқа жинағыш қапты орнату

Опция: SPN-CN

Жоңқа бақылаусыз шашырамауы үшін, жоңқаны жинау үшін арнайы қапты орнатуға болады.

1. Жоңқа жинағыш қаптағы серіппенің екі ұшын қыстырыңыз.
2. Серіппені қалыптың астыңғы ұшына орналастырып, серіппенің ұштарын босатыңыз.
3. Серіппе мен жоңқа жинағыш қаптың дұрыс және берік орнатылғанын тексеріп шығыңыз.

8 Күту және техникалық қызмет көрсету

ЕСКЕРТУ

Аккумулятор енгізілген кезде жарақат алу қаупі бар !

- ▶ Күтім және техникалық қызмет көрсету бойынша кез келген жұмыстарды орындамас бұрын әрдайым аккумуляторды шығарыңыз!

Аспапқа қызмет көрсету

- Қатты жабысқан кірді мұқият кетіріңіз.
- Шаң сүзгісін шығарып алып, оны және желдету саңылауларын құрғақ қылшақпен мұқият тазалап шығыңыз.
- Корпусты тек сәл суланған шүберекпен тазалаңыз. Ешқандай силикон қамтитын күтім құралдарын пайдаланбаңыз, өйткені олар пластмасса бөлшектерін зақымдауы мүмкін.

Литий-иондық аккумуляторға қызмет көрсету

- Аккумуляторды май мен майлағыштан таза күйінде ұстаңыз.
- Корпусты тек сәл суланған шүберекпен тазалаңыз. Ешқандай силикон қамтитын күтім құралдарын пайдаланбаңыз, өйткені олар пластмасса бөлшектерін зақымдауы мүмкін.
- Ылғалдың кіруін болдырмаңыз.

Техникалық қызмет көрсету

- Барлық көзге көрінетін бөлшектерде зақымдардың бар-жоғын және басқару элементтерінің ақаусыз жұмысын жиі тексеріп тұрыңыз.
- Өнім зақымдалған және/немесе ақаулы болған жағдайда оны пайдаланушы болмаңыз. Бірден **HILTI** қызмет көрсету орталығына жәндетіңіз.



- Күтім және техникалық қызмет көрсету жұмыстарынан кейін барлық қорғауыш құрылғыларды орнатып, жұмысын тексеріңіз.

i Қауіпсіз қолдану үшін тек түпнұсқа қосалқы бөлшектер мен жұмсалатын материалдарды қолданыңыз. Біз рұқсат еткен қосалқы бөлшектер, шығын материалдары мен өнімге арналған керек-жарақтар **Hilti Store** дүкенінде немесе келесі веб-сайтта қолжетімді: **www.hilti.group**.

8.1 Штемпельді алмастыру

i Штемпельді әр алмастырған сайын, сонымен қатар қалыпта, штемпель бағыттауышында және тозғыш пластинада (SPN-CN үшін емес) тозған жерлердің бар-жоғын тексеріңіз және оларды қажетінше алмастырыңыз.

1. Құралды бөлшектеңіз. → Бет 166
2. Тозған штемпельді құралдан шығарыңыз.
3. Құралдағы жаңа штемпельді және штемпель бағыттауышын майлаңыз.
4. Төмендегі жабдық бар болғанда, бұл әрекетті қосымша орындаңыз:

Опция: SPN-RL

- ▶ Жылжыма мен штемпель арасында жылжыма ұзартқышын орнатып майлаңыз.

5. Құралды орнатыңыз. → Бет 166

8.2 Қалыпты алмастыру

Опция: SPN-CN

1. Сақтандырғыш сақинаны ойықтан жоғары қарай жылжытыңыз.
2. Цилиндрлік штифті жарамды ойықпен сыртқа итеріңіз.
3. Қалыпты тіреуіш штифтен тартып шығарыңыз.
4. Жаңа қалыпты тіреуіш штифтке орнатыңыз.
5. Цилиндрлік штифті қайтадан құрастырыңыз.
6. Сақтандырғыш сақинаны төмен қарай жылжытып, тиісінше орнатылғанын тексеріп шығыңыз.

8.3 Штемпель бағыттауышын алмастыру

Опция: SPN-CN

АБАЙЛАҢЫЗ

Зақымдалу қаупі өнім мен кескіш құралдардың!

- ▶ Бекіткіш бұрандаларды орнатпас бұрын ирек ойманы тазалаңыз.
- ▶ Әрдайым жеткізілім жиынтығындағы жаңа бекіткіш бұрандаларды қолданыңыз және көрсетілген тарту моментін сақтаңыз.

1. Қалыпты бөлшектеңіз. → Бет 168
2. Бекіткіш бұрандаларды бөлшектеңіз.
3. Штемпель бағыттауышын алып тастаңыз.
4. Жаңа штемпель бағыттауышын орнатыңыз.
5. Бекіткіш бұрандаларды берілген айналу моментімен орнатыңыз.

Техникалық сипаттамалар

Тарту моменті

3 Н·м

6. Қалыпты қайтадан орнатыңыз.



8.4 Қалыпты, штемпель бағыттауышын және тозғыш пластинаны алмастыру **f1, f2**

Опция: SPN-RN
HEMECE SPN-RL

АБАЙЛАҢЫЗ

Зақымдалу қаупі өнім мен кескіш құралдардың!

- ▶ Бекіткіш бұрандаларды орнатпас бұрын ирек ойманы тазалаңыз.
 - ▶ Әрдайым жеткізілім жиынтығындағы жаңа бекіткіш бұрандаларды қолданыңыз және көрсетілген тарту моментін сақтаңыз.
-
1. Бекіткіш бұрандаларды бөлшектенізі.
 2. Штемпель бағыттауышы мен қалыпты алып тастаңыз.
 3. Тозғыш пластинада тозу іздерінің бар-жоғын тексеріп шығыңыз.

Нәтиже

Анық тозу іздері көрінсе:

- ▶ Тозғыш пластинаны алып тастап, оны жаңасына алмастырыңыз.
4. Қалып мойынтірегіндегі жанасу беттерін тазалаңыз.
 5. Штемпель бағыттауышы мен қалыпты өзектің көмегімен ортаға келтіріңіз.
 6. Бекіткіш бұрандаларды қолмен бұрап бекітіңіз.
 7. Штемпель бағыттауышының бағыттауыш беттерін майлаңыз.
 8. Бекіткіш бұрандаларды берілген айналу моментімен айқыш-ұйқыш бұрап бекітіңіз.

Техникалық сипаттамалар

Тарту моменті

3 Н·м

9 Аккумуляторлық аспаптарды тасымалдау және сақтау

Тасымалдау

АБАЙЛАҢЫЗ

Тасымалдау кезіндегі кенет іске қосылу !

- ▶ Өніміңізді әрдайым аккумуляторын шығарып алып тасымалдаңыз!
-
- ▶ Аккумуляторларды шығарыңыз.
 - ▶ Аккумуляторларды ешқашан үймеде тасымалдамаңыз.
 - ▶ Аспапты немесе аккумуляторларды ұзақ уақыт тасымалдаған соң, оларды пайдалану алдында зақымдарының бар-жоғын тексеріңіз.

Сақтау

АБАЙЛАҢЫЗ

Бүлінген немесе заряды таусылған аккумуляторлардан күтілмеген зақымдалу !

- ▶ Өніміңізді әрдайым аккумуляторын шығарып алып сақтаңыз!
-
- ▶ Аспап пен аккумуляторларды мүмкіндігінше салқын және құрғақ күйінде сақтаңыз.
 - ▶ Аккумуляторларды ешқашан күн, жылу көздерінің астында немесе әйнек артында сақтамаңыз.
 - ▶ Аспап пен аккумуляторларды балалар мен рұқсаты жоқ адамдардың қолы жетпейтін жерде сақтаңыз.
 - ▶ Аспапты немесе аккумуляторларды ұзақ уақыт сақтаған соң, оларды пайдалану алдында зақымдарының бар-жоғын тексеріңіз.

10 Ақаулықтардағы көмек

Бұл кестеде келтірілмеген немесе өзіңіз түзете алмайтын ақаулықтар орын алғанда, **Hilti** қызмет көрсету орталығына хабарласыңыз.



10.1 Ақаулықтарды жою

Ақаулық	Ықтимал себеп	Шешім
Аккумулятор заряды әдеттегіден жылдам бітеді.	Қоршаған орта температурасы тым төмен.	▶ Аккумуляторды ұзақ уақытта бөлме температурасында жылытыңыз.
Аккумулятор естілетін шырт ету дыбысымен бекітілмейді.	Аккумулятордағы құлып шоқылары кірленген.	▶ Тіреуіш шығынқы жерлерін тазалаңыз және аккумуляторды қайтадан салыңыз.
1 жарық диоды жыпылықтайды. Аспап жұмыс істемейді.	Аккумулятор заряды бос.	▶ Аккумуляторды алмастырып, бос аккумуляторды зарядтаңыз.
	Аккумулятор суып немесе қызып кетті.	▶ Аккумуляторды ұзақ уақытта бөлме температурасында жылытыңыз.
Барлық 4 жарық диоды жыпылықтайды. Аспап жұмыс істемейді.	Аспапқа шамадан тыс жүктеме түсті.	▶ Негізгі сәндіргішті босатып, қайта басыңыз. Содан кейін аспапты шам. 30 секунд ішінде бос жүріс жылдамдығымен жұмыс істетіңіз.
Аспапта немесе аккумуляторда қатты қызу пайда болды.	Электр бөлігі бойынша ақаулық	▶ Аспапты бірден өшіріңіз, аккумуляторды шығарыңыз, оны қадағалап, салқындауына мүмкіндік беріңіз және Hilti сервис орталығына хабарласыңыз.
Аспап толық қуатпен жұмыс істемейді.	Сыйымдылығы аз аккумулятор орнатылған.	▶ Сыйымдылығы жеткілікті аккумуляторды қолданыңыз.
Кесу өнімділігінің төмендеуі	Штемпель тозған	▶ Штемпельді алмастырыңыз. → Бет 168
Қозғалтқыштың тежеу функциясы жоқ.	Аккумулятор заряды бос.	▶ Аккумуляторды алмастырып, бос аккумуляторды зарядтаңыз.
	Аспапқа қысқа мерзімді шамадан тыс жүктеме түсті.	▶ Аспапты өшіріп қайта қосыңыз.

11 Көдеге жарату

Hilti аспаптары қайта өңдеу үшін жарамды көптеген материалдардың санын қамтиды. Көдеге жарату алдында материалдарды мұқият сұрыптау керек. Көптеген елдерде **Hilti** компаниясы ескі аспабыңызды қайта өңдеу үшін қайта қабылдайды. **Hilti** қызмет көрсету орталығынан немесе дилеріңізден сұраңыз.

Аккумуляторды көдеге жарату

Аккумуляторларды нұсқаулардан тыс көдеге жарату нәтижесінде газ не сұйықтықтың шығуы денсаулыққа қауіп төндіруі мүмкін.

- ▶ Зақымдалған аккумуляторларды жіберуге немесе жөнелтуге болмайды!
- ▶ Қысқа тұйықталуға жол бермеу үшін, қосылымдарды ток өткізбейтін материалмен жауып қойыңыз.
- ▶ Аккумуляторларды балалардың қолына жетпейтіндей етіп көдеге жаратыңыз.
- ▶ Аккумуляторды **Hilti Store** дүкенінде көдеге жаратыңыз немесе жергілікті көдеге жарату кәсіпорнына хабарласыңыз.



- ▶ Электр құралдарды, электрондық құрылғылар мен аккумуляторларды тұрмыстық қоқыспен бірге тастамаңыз!

12 RoHS (зиянды заттектердің пайдаланылуын шектеу директивасы)

Төмендегі сілтеме бойынша зиянды заттектердің кестесі келтірілген: qr.hilti.com/r10695220.

RoHS кестесінің сілтемесі осы құжаттаманың соңында QR коды ретінде берілген.



13 Өндіруші кепілдігі

- Кепілдік шарттары туралы сұрақтарыңыз болса, жергілікті Hilti серіктесіне хабарласыңыз.

Оригинал kullanım kılavuzu

1 Dokümantasyon verileri

1.1 Bu doküman için

- Çalıştırmadan önce bu dokümanı okuyunuz. Bu, güvenli çalışma ve arızasız kullanım için ön koşuldur.
- Bu dokümanda ve ürün üzerinde bulunan güvenlik ve uyarı bilgilerine dikkat ediniz.
- Kullanım kılavuzunu her zaman ürün üzerinde bulundurunuz ve ürünü sadece bu kılavuz ile birlikte başka kişilere veriniz.

1.2 Resim açıklaması

1.2.1 Uyarı bilgileri

Uyarı bilgileri, ürün ile çalışırken ortaya çıkabilecek tehlikelere karşı uyarır. Aşağıdaki uyarı metinleri kullanılır:

TEHLİKE

TEHLİKE !

- Ağır vücut yaralanmalarına veya doğrudan ölüme sebep olabilecek tehlikeler için.

İKAZ

İKAZ !

- Ağır yaralanmalara veya ölüme neden olabilecek tehlikeler için.





DİKKAT

DİKKAT !

- Vücut yaralanmalarına veya maddi hasarlara yol açabilecek olası tehlikeli durumlar için.


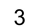


1.2.2 Dokümandaki semboller

Bu dokümanda aşağıdaki semboller kullanılmıştır:

	Kullanmadan önce kullanım kılavuzunu okuyunuz
	Kullanım uyarıları ve diğer gerekli bilgiler
	Geri dönüşümlü malzemeler ile çalışma
	Elektrikli aletleri ve aküleri evdeki çöplere atmayınız

1.2.3 Resimlerdeki semboller

Resimlerde aşağıdaki semboller kullanılmıştır:





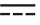

	Bu sayılar, kılavuzun başlangıcındaki ilgili resimlere atanmıştır
	Numaralandırma, resimdeki çalışma adımlarının sırasını göstermektedir ve metindeki çalışma adımlarından farklı olabilir
	Pozisyon numaraları Genel bakış resminde kullanılır ve Ürüne genel bakış bölümündeki açıklama numaralarına referans niteliğindedir
	Bu işaret, ürün ile çalışırken dikkatinizi çekmek için koyulmuştur.



1.3 Ürüne bağlı semboller

1.3.1 Üründeki semboller

Üründe aşağıdaki semboller kullanılabilir:

	Alet, iOS ve Android platformları ile uyumlu NFC teknolojisini destekler.
	Kullanılan Hilti Lityum İyon akü tip serisi. Usulüne uygun kullanım bölümündeki bilgileri dikkate alınız.
	Aküyü asla darbe aleti olarak kullanmayınız.
	Aküyü düşürmeyiniz. Darbe almış veya hasar görmüş bir aküyü kullanmayınız.
Li-Ion	Lityum İyon akü
	Doğru akım
	Koruyucu gözlük kullanınız

1.4 Ürün bilgileri

HILTI ürünleri profesyonel kullanıcıların kullanımı için öngörülmüştür ve sadece yetkili personel tarafından kullanılabilir ve bakımı yapılabilir. Bu personel, meydana gelebilecek tehlikeler hakkında özel olarak eğitim görmüş olmalıdır. Aletin ve ilgili yardımcı gereçlerin eğitimsiz personel tarafından usulüne uygun olmayan şekilde kullanılması ve amaçları dışında çalıştırılması sonucu tehlikeli durumlar söz konusu olabilir. Tip tanımı ve seri numarası, tip plakası üzerinde belirtilmiştir.

► Seri numarasını aşağıdaki tabloya aktarınız. Ürün bilgileri acente veya servis merkezini aradığınızda sorulabilir.

Ürün bilgileri

Dilme makası	SPN 6-A22
Nesil:	01
Seri no.:	

1.5 Uygunluk beyanı

Burada tanımlanan ürünün, geçerli yönetmeliklere ve normlara uygun olduğunu kendi sorumluluğumuzda beyan ederiz. Bu dokümantasyonun sonunda uygunluk beyanının bir kopyasını bulabilirsiniz.

Teknik dokümantasyonlar eklidir:

Hilti Entwicklungsgesellschaft mbH | Zulassung Geräte | Hiltistraße 6 | 86916 Kaufering, DE

2 Güvenlik

2.1 Elektrikli el aletleri için genel güvenlik uyarıları

⚠ İKAZ Bu elektrikli el aletine yönelik tüm güvenlik uyarılarını, talimatları, resimli açıklamaları ve teknik verileri dikkatlice okuyunuz. Aşağıdaki talimatlara uyulmaması durumunda elektrik çarpması, yangın ve/veya ağır yaralanmalar söz konusu olabilir.

Tüm güvenlik uyarılarını ve kullanım talimatlarını muhafaza ediniz.

Güvenlik uyarılarında kullanılan "Elektrikli el aleti terimi, şebeke işletimli elektrikli el aletleri (şebeke kablosu ile) veya akü işletimli elektrikli el aletleri (şebeke kablosu olmadan) ile ilgilidir.

İş yeri güvenliği

- **Çalışma alanınızı temiz ve aydınlık tutunuz.** Düzensiz veya aydınlatma olmayan çalışma alanları kazalara yol açabilir.
- **Yanıcı sıvıların, gazların veya tozların bulunduğu patlama tehlikesi olan yerlerde elektrikli el aleti ile çalışmayınız.** Elektrikli el aletleri, toz veya buharı yakabilecek kıvılcım oluşturur.
- **Elektrikli el aletini kullanırken çocukları ve diğer kişileri uzak tutunuz.** Dikkatiniz dağılırsa aletin kontrolünü kaybedebilirsiniz.



Elektrik güvenliği

- ▶ **Elektrikli el aletinin bağlantı fişi prize uygun olmalıdır. Fiş hiçbir şekilde değiştirilmemelidir. Adaptör fişini topraklama korumalı elektrikli el aletleri ile birlikte kullanmayınız.** Değiştirilmemiş fişler ve uygun prizler elektrik çarpması riskini azaltır.
- ▶ **Borular, radyatörler, fırınlar ve buzdolapları gibi toprağa temas eden üst yüzeylere vücudunuzla temas etmekten kaçınınız.** Vücudunuzun toprakla teması var ise yüksek bir elektrik çarpması riski söz konusudur.
- ▶ **Elektrikli el aletini yağmurdan veya ıslaklıktan uzak tutunuz.** Elektrikli el aletine su girmesi, elektrik çarpması riskini artırır.
- ▶ **Elektrikli el aletini taşımak, asmak veya fişi prizden çekmek için bağlantı kablosunu kullanım amacı dışında kullanmayınız. Bağlantı kablosunu sıcağtan, yağdan, keskin kenarlardan ve hareketli parçalardan uzak tutunuz.** Hasarlı veya dolanmış bağlantı kabloları elektrik çarpması riskini artırır.
- ▶ **Elektrikli bir el aleti ile açık alanda çalışacaksanız, sadece dışarıda kullanımına izin verilen uzatma kabloları kullanınız.** Dış mekanlar için uygun olan uzatma kablolarının kullanılması elektrik çarpması riskini azaltır.
- ▶ **Elektrikli el aleti işletiminin nemli ortamda yapılması kaçınılmaz ise bir kaçak akım koruma şalteri kullanınız.** Bir kaçak akım koruma şalterinin kullanımı elektrik çarpması riskini azaltır.

Kişilerin güvenliği

- ▶ **Dikkatli olunuz, ne yaptığınıza dikkat ediniz ve elektrikli el aleti ile mantıklı bir şekilde çalışınız.** Yorgunsanız veya uyuşturucu, alkol veya ilaç etkisi altında olduğunuzda elektrikli el aleti kullanmayınız. Elektrikli el aletini kullanırken bir anlık dikkatsizlik ciddi yaralanmalara neden olabilir.
- ▶ **Kişisel koruyucu donanım ve her zaman bir koruyucu gözlük takınız.** Elektrikli el aletinin türüne ve kullanımına göre toz maskesi, kaymayan güvenlik ayakkabısı, koruyucu kask veya kulaklık gibi kişisel koruyucu donanımların kullanılmasını yaralanma riskini azaltır.
- ▶ **İstem dışı çalışmayı önleyiniz. Güç kaynağına ve/veya aküyü bağlamadan, girişini yapmadan veya taşımadan önce elektrikli el aletinin kapalı olduğundan emin olunuz.** Elektrikli el aletini taşırken parmağınız şalterde ise veya alet açık konumda güç kaynağına takılırsa bu durum kazalara yol açabilir.
- ▶ **Elektrikli el aletini devreye almadan önce ayar aletlerini veya vidalama anahtarlarını çıkartınız.** Dönen bir alet parçasında bulunan bir alet veya anahtar yaralanmalara yol açabilir.
- ▶ **Aşırı bir vücut hareketinden sakınınız. Güvenli bir duruş sağlayınız ve her zaman dengeli tutunuz.** Böylece beklenmedik durumlarda elektrikli el aletini daha iyi kontrol edebilirsiniz.
- ▶ **Uygun kıyafetler giyiniz. Bol kıyafetler giymeyiniz veya takı takmayınız. Saçları, kıyafetleri ve eldivenleri hareket eden parçalardan uzak tutunuz.** Bol kıyafetler, takı veya uzun saçlar hareket eden parçalara takılabilir.
- ▶ **Toz emme ve tutma tertibatları monte edilebiliyorsa bunların bağlı olduğundan ve doğru kullanıldığınından emin olunuz.** Bu toz emme tertibatının kullanımı tozdan kaynaklanabilecek tehlikeleri azaltabilir.
- ▶ **Kendi güvenliğinizi riske atmayınız ve elektrikli el aletleri kullanımında son derece tecrübeli olsanız bile ilgili güvenlik kurallarını ihlal etmeyiniz.** Dikkatsiz kullanım saniyeler içerisinde ciddi yaralanmalara neden olabilir.

Elektrikli el aletinin kullanımı ve çalıştırılması

- ▶ **Aleti çok fazla zorlamayın. Çalışmanız için uygun olan elektrikli el aletini kullanın.** Uygun elektrikli el aleti ile bildirilen hizmet alanında daha iyi ve güvenli çalışırsınız.
- ▶ **Şalteri bozuk olan elektrikli el aletini kullanmayınız.** Açılıp kapatılmayan bir elektrikli el aleti tehlikelidir ve tamir edilmesi gerekir.
- ▶ **Alet ayarlarını yapmadan, aksesuar parçalarını değiştirmeden veya aleti bir yere koymadan önce fişi prizden ve/veya (çıkarılabilir) aküyü aletten çıkarınız.** Bu önlem, elektrikli el aletinin istem dışı çalışmasını engeller.
- ▶ **Kullanılmayan elektrikli el aletlerini çocukların erişemeyeceği yerde muhafaza edin. Aleti iyi tanımayan veya bu talimatları okumamış kişilere aleti kullanırmayınız.** Elektrikli el aletleri bilgisiz kişiler tarafından kullanılırsa tehlikelidir.
- ▶ **Elektrikli el aletlerinin ve aksesuarlarının bakımını titizlikle yapınız. Hareketli parçaların kusura çalıştığı ve sıkışmadığı, parçaların kırılıp kırılmadığı veya hasar görüp görmediği, elektrikli el aleti fonksiyonlarının kısıtlanma durumlarını kontrol ediniz. Hasarlı parçaları aleti kullanmadan önce tamir ettiriniz.** Birçok kazanın nedeni bakımı kötü yapılan elektrikli el aletleridir.
- ▶ **Kesme aletlerini keskin ve temiz tutun.** Özenle bakımı yapılmış keskin bıçak kenarı olan kesme aletleri daha az sıkışır ve kullanımı daha rahattır.
- ▶ **Elektrikli el aletini, aksesuarları, ek aletleri vb. bu talimatlara göre kullanın. Çalışma şartlarını ve yapılacak işi de ayrıca göz önünde bulundurun.** Elektrikli el aletlerinin öngörülen kullanımı dışında kullanılması tehlikeli durumlara yol açabilir.



- ▶ **Tutamağı ve tutamak yüzeylerini daima temiz ve yağ ve gresten arındırılmış durumda tutunuz.** Kaygan tutamaklar ve tutamak yüzeyleri güvenli bir kullanımı ve öngörülemez durumlarda elektrikli el aletinin kontrolünü engeller.

Akülü el aletinin kullanımı ve çalıştırılması

- ▶ **Akülerini sadece üretici tarafından tavsiye edilen şarj cihazları ile şarj ediniz.** Belirli bir akü için uygun olan bir şarj cihazı, başka akülerle kullanılırsa yanma tehlikesi vardır.
- ▶ **Elektrikli el aletlerinde sadece bunun için öngörülen aküler kullanılmalıdır.** Başka akülerin kullanılması yaralanmalara ve yanma tehlikelerine yol açabilir.
- ▶ **Kullanılmayan aküleri, kontakların köprülenmesine sebep olabilecek ataçlar, madeni paralar, anahtarlar, çiviler, vidalar veya diğer küçük metal cisimlerden uzak tutunuz.** Akü kontaktları arasındaki kısa devre yanmalara veya alev oluşumuna sebep olabilir.
- ▶ **Yanlış kullanımda aküden sıvı çıkabilir. Bunlar ile teması önleyiniz. Yanlışlıkla temasta su ile durulayınız. Sıvı gözle temas ederse ayrıca doktor yardımı isteyiniz.** Dışarı akan akü sıvısı cilt tahrişine ve yanmalarına yol açabilir.
- ▶ **Hasarlı veya değiştirilmiş aküleri kullanmayınız.** Hasarlı veya değiştirilmiş aküler öngörülemez şekilde yangın, patlama veya yaralanma tehlikesi içeren tutumlara neden olabilir.
- ▶ **Akülerini açık ateş yakınına koymayınız veya yüksek sıcaklıklara maruz bırakmayınız.** Açık ateş veya 130°C'nin (265°F) üzerinde sıcaklıklar patlama tehlikesine neden olabilir.
- ▶ **Tüm şarj talimatlarına uyunuz ve aküyü veya akülü aleti kullanım kılavuzunda öngörülen sıcaklık aralığının dışında şarj etmeyiniz.** Hatalı şarj veya öngörülen sıcaklık aralığının dışındaki şarj işlemleri akünün zarar görmesine ve yangın tehlikesine neden olabilir.

Servis

- ▶ **Elektrikli el aletinizi sadece kalifiye uzman personele ve sadece orijinal yedek parçalar ile tamir ettiriniz.** Böylece aletin güvenliğinin korunduğundan emin olunur.
- ▶ **Hasarlı aküleri bakım yapmayınız.** Akülere yönelik tüm bakım çalışmaları sadece üretici veya yetkili müşteri hizmetleri tarafından yapılmalıdır.

2.2 Akülü aletlerin özenli çalıştırılması ve kullanımı

- ▶ Lityum İyon akülerin taşıma, depolama ve kullanımına yönelik özel talimatları dikkate alınız.
- ▶ Aküler, yüksek sıcaklıklarda, doğrudan güneş ışığından ve ateşten uzak tutulmalıdır.
- ▶ Aküler parçalarına ayrılmamalı, ezilmemeli, 80°C üzerine ısıtılmamalı veya yakılmamalıdır.
- ▶ Darbe almış, bir metreden daha yüksek bir yerden düşmüş veya başka bir şekilde hasar görmüş akülerini kullanmayınız veya şarj etmeyiniz. Bu durumda her zaman **Hilti servisi** ile irtibat kurunuz.
- ▶ Akü tutulamayacak kadar sıcaksa arızalı olabilir. Pili, yanıcı malzemelere yeterli mesafede, görünür ve yanıcı olmayan bir yere yerleştiriniz. Aküyü soğumaya bırakınız. Akü bir saat sonra hala dokunulamayacak kadar sıcaksa, arızalı demektir. **Hilti servisi** ile iletişim kurunuz.

2.3 Ek güvenlik uyarıları

Kişilerin güvenliği

- ▶ Ürün ile çalışırken koruyucu eldiven takınız. Ek alet sıcakken kullanılırsa, yanma tehlikesi mevcuttur. Oluşan kesit kenarları ve metal talaşlar keskin kenarlıdır, yaralanma tehlikesi vardır.
- ▶ Parmaklarınızdaki kan dolaşımının iyi olması için çalışma molaları veriniz ayrıca gevşetme ve parmak egzersizleri yapınız.
- ▶ Kulaklık takınız. Aşırı sestten dolayı duyma kaybı meydana gelebilir.
- ▶ Ürünle başınızın üzerinde çalışmayınız.

Elektrik güvenliği

- ▶ İletken malzemelerin sık işlenmesi durumunda, kirlenen aletleri düzenli aralıklarla Hilti servisine kontrol ettiriniz. Alet üst yüzeyindeki toz, özellikle iletken malzeme veya nem, uygunsuz kullanımlar sonucu elektrik çarpmasına yol açabilir.
- ▶ Elektrikli el aletinizin havalandırma deliklerini düzenli bir şekilde temizleyiniz. Motor fanı muhafazaya toz çeker ve metal tozlarının birikmesinden dolayı elektrikli tehlikelere neden olabilir.
- ▶ Çalışmaya başlamadan önce çalışma alanında üzerleri kaplanmış olan elektrik hatları, gaz ve su borularını örn. bir metal dedektörle kontrol ediniz. Aletin dış kısmındaki metal parçalar, örneğin yanlışlıkla bir elektrik hattına zarar vermenizi durumunda gerilim yüklü olabilir.
- ▶ Gerilim yüklü olabilecek iş parçalarını kesmeyiniz.

İş yeri güvenliği

- ▶ Çalışma sahasını temiz tutunuz. Metal talaşlar keskindir ve zeminde çizilmelere neden olabilir.

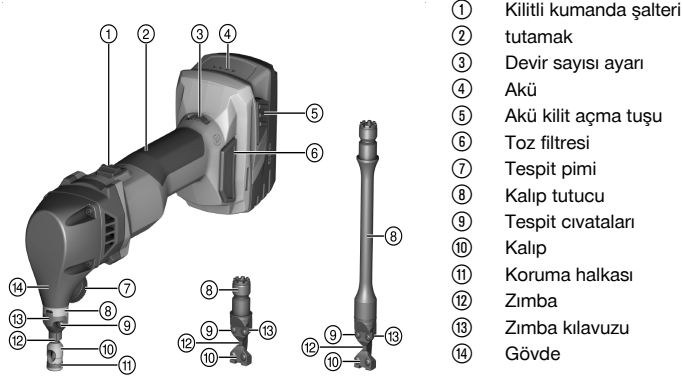


Elektrikli el aletleri ile dikkatli çalışılması ve aletin doğru kullanılması

- Ürünün talaş ve kirden arındırıldığından emin olunuz. Çalışma esnasında açma/kapatma şalteri alanına talaş girmemesine dikkat ediniz. Talaşlar ilgili açma/kapatma şalterini bloke edebilir ve ürünün kapatılması mümkün olmayabilir.

3 Tanımlama

3.1 Ürüne genel bakış



3.2 Usulüne uygun kullanım

Tanımlanan ürün, elle kullanılan ve aküyle çalışan dilme makasıdır. Çelik, alüminyum, demir dışı metal ve plastik gibi kalıbi kesilebilen malzemeden yapılmış plaka formundaki iş parçalarının kesilmesi, düz veya kavşikli dış kenarların ve iç kesitlerin kesilmesi ve yırtma sonrası kesme için tasarlanmıştır. Kesme sırasında işleme, kesim kenarlarının kıvrılmamasını sağlar. Kullanılan ek alete bağlı olarak uygulamalar da söz konusudur. SPN-CN: Bu ek alet aynı zamanda boruları kesmek, oluklu sacları işlemek ve bir şablona göre kalıp kesmek için de kullanılabilir. Delikli yuvarlak zimba sayesinde, dilme makası çalışma sırasında döndürülebilir ve işlemeye istenen yönde devam edebilir.

Opsiyonel: SPN-RN ve SPN-RL: Bu ek aletler aynı zamanda trapez levha, oluklu sac, kaset levha ve açılı profil çitalleri gibi profil saclarını kesmek için de uygundur.

- Bu ürün için sadece B 22 tip serisi **Hilti** Lityum İyon aküler kullanılmalıdır.
- Bu aküler için sadece C4/36 serisi **Hilti** şarj cihazları kullanınız.

3.3 Teslimat kapsamı

Dilme makası, Torx anahtarı, Kullanım kılavuzu

Güvenli çalışma için sadece orijinal yedek parçalar ve sarf malzemeleri kullanınız. Tarifimizden onaylanmış, yedek parçaları, aksesuarları ve sarf malzemelerini **Hilti Store** veya www.hilti.group adresinde bulabilirsiniz.



Ürün teslimattan önce fonksiyon bakımından test edilmiştir. Bu nedenle iş parçasının gövde yüzeyinde kılcal çizikler oluşmuş olabilir.

3.4 Sıcaklığa bağlı alet koruması

Sıcaklığa bağlı motor koruması, güç girişini ve motorun ısınmasını denetler ve aleti aşırı ısınmaya karşı korur. Presleme basıncı nedeniyle motor aşırı yüklendiğinde aletin performansı fark edilir biçimde düşer veya alet durabilir.

Aşırı yüklenme neticesinde durma veya devir sayısında düşüş yaşanırsa aletin yükünü azaltmalı ve yaklaşık 30 saniye rölantide çalıştırmalısınız.

3.5 Lityum İyon akülerin şarj durumu göstergesi

Lityum İyon akülerin şarj durumu, her iki kilit açma tuşuna hafifçe basarak görüntülenebilir.



Durum	Anlamı
4 LED yanıyor.	Şarj durumu: % 75 ile %100 arası
3 LED yanıyor.	Şarj durumu: % 50 ile %75 arası
2 LED yanıyor.	Şarj durumu: % 25 ile %50 arası
1 LED yanıyor.	Şarj durumu: % 10 ile %25 arası
1 LED yanıp sönüyor.	Şarj durumu: < % 10

i Çalışma esnasında ve çalışmadan sonra doğrudan şarj durumunun kontrol edilmesi mümkün değildir. Akü şarj durumu göstergesinin LED'leri yanıp sönmesinde lütfen Arızalar bölümündeki uyarıları dikkate alınız.

4 Teknik veriler

Dilme makası standart olarak SPN-CN ek aletle teslim edilir. SPN-RN ve SPN-RL opsiyonel aksesuar olarak temin edilebilir.

	SPN-CN	SPN-RN	SPN-RL
Nominal gerilim	21,6 V	21,6 V	21,6 V
EPTA Procedure 01 uyarınca akümülatör dahil ağırlık B22/8.0	3,1 kg	3,0 kg	3,3 kg
Boşta çalışma sırasında strok sayısı	620 dev/dak ... 1.370 dev/dak	620 dev/dak ... 1.370 dev/dak	620 dev/dak ... 1.370 dev/dak
Başlangıç deliği çapı	17 mm	24 mm	24 mm
Kavisli kesimler için en küçük yarıçap	4,0 mm	•/•	•/•
Yarıçap	•/•	50 mm	50 mm
Kesme izi genişliği	8,0 mm	5,0 mm	5,0 mm
Çelik için izin verilen malzeme kalınlığı maks. 400 N/mm²	2,0 mm / 14 Ga	2,0 mm / 14 Ga	2,0 mm / 14 Ga
Çelik için izin verilen malzeme kalınlığı maks. 600 N/mm²	1,5 mm / 16 Ga	1,5 mm / 16 Ga	1,5 mm / 16 Ga
Çelik için izin verilen malzeme kalınlığı maks. 800 N/mm²	1,0 mm / 20 Ga	1,0 mm / 20 Ga	1,0 mm / 20 Ga
Alüminyum için izin verilen malzeme kalınlığı maks. 250 N/mm²	2,5 mm / 10 Ga	3,0 mm / 9 Ga	3,0 mm / 9 Ga

4.1 Akü

Akü çalışma gerilimi	21,6 V
İşletim sırasındaki ortam sıcaklığı	-17 °C ... 60 °C
Depolama sıcaklığı	-20 °C ... 40 °C
Şarj başlangıcında akü sıcaklığı	-10 °C ... 45 °C

4.2 EN 62841 uyarınca ses bilgisi ve titreşim değerleri

Bu talimatlarda belirtilen ses basıncı ve titreşim değerleri, ilgili normlara uygun bir ölçüm metodu ile ölçülmüştür ve elektrikli el aletlerinin birbirleri ile karşılaştırılması için kullanılabilir. Zorlanmaların geçici olarak değerlendirilmesine de uygundur.

Belirtilen değerler, elektrikli el aletinin ana kullanım alanlarını temsil eder. Elektrikli el aletinin, farklı ek aletlerle veya yetersiz bakım yapılmış şekilde kullanılması durumunda, veriler sapma gösterebilir. Bu durum, toplam çalışma süresi boyunca zorlanmayı belirgin şekilde yükseltebilir.

Doğru bir zorlanma değerlendirmesi için aletin kapatıldığı veya çalışır konumda olduğu ve ayrıca kullanımda olmadığı zamanlar da dikkate alınmalıdır. Bu durum, toplam çalışma süresi boyunca zorlanmayı belirgin şekilde azaltabilir.

Kullanıcıyı ses ve/veya titreşimin etkilerinden koruyacak ek güvenlik önlemleri belirleyiniz, örneğin: Elektrikli el aletinin ve ek aletlerin bakımının yapılması, ellerin sıcak tutulması, iş akışlarının düzenlenmesi.



Gürültü bilgileri

Standart A olarak değerlendirilen çıkan emisyon ses basıncı seviyesi (L_{pA})	91 dB(A)
Ses basıncı seviyesi için emniyetsizlik (K_{pA})	3 dB(A)
Standart A olarak değerlendirilen ses gücü seviyesi (L_{WA})	102 dB(A)
Ses gücü seviyesi için emniyetsizlik (K_{WA})	3 dB(A)

Vibrasyon bilgileri

	SPN-CN	SPN-RN	SPN-RL
Üç eksenli titreşim değeri (a_h)	6,7 m/sn ²	7,4 m/sn ²	6,2 m/sn ²
Emniyetsizlik (K)	1,5 m/sn ²	1,5 m/sn ²	1,5 m/sn ²

5 Çalışma hazırlığı

⚠ DİKKAT

Yaralanma tehlikesi kazara çalışmaya başlama nedeniyle!

- ▶ Aküyü takmadan önce ilgili ürünün kapalı konumda olduğundan emin olunuz.
- ▶ Cihazın ayarlarını yapmadan veya aksesuarları değiştirmeden önce aküyü çıkartınız.

Bu dokümanda ve ürün üzerinde bulunan güvenlik ve uyarı bilgilerine dikkat ediniz.

5.1 Akünün şarj edilmesi

1. Şarj etmeden önce şarj cihazının kullanım kılavuzunu okuyunuz.
2. Akü ve şarj cihazının kontaklarının temiz ve kuru olmasına dikkat ediniz.
3. Aküyü izin verilen şarj cihazında şarj ediniz.

5.2 Akünün yerleştirilmesi

⚠ DİKKAT

Yaralanma tehlikesi kısa devre veya akünün düşmesi nedeniyle!

- ▶ Aküyü yerleştirmeden önce, akü kontaklarında ve ürün içindeki kontaklarda yabancı cisim bulunmadığından emin olunuz.
- ▶ Akünün her zaman tam oturduğundan emin olunuz.

1. İlk kullanım öncesinde akü tamamen şarj edilmelidir.
2. Aküyü, duyulur şekilde yerine oturana kadar cihaz tutucusuna bastırınız.
3. Akünün alette emniyetli bir şekilde yerleşip yerleşmediğini kontrol ediniz.

5.3 Akünün çıkartılması

1. Akünün serbest bırakma düğmelerine basınız.
2. Aküyü aletten çıkartınız.

5.4 Aletler 2

Zemin için uygun ek alet kombinasyonu resimde görülebilir.

Zemin açıklaması:

- A: Düz sac
- B: Oluklu sac
- C: Trapez levha (profil derinlikleri maks. 85 mm)
- D: Trapez levha (profil derinlikleri maks. 162 mm)

SPN-RN ve SPN-RL aletleri ile maks. 1 mm kalınlıkta sacda pürüzsüz bir kesim yapabilmek için, kalıp P1 kullanılabilir. Daha düşük kesme boşluğu, çapak oluşumunu azaltır.



5.5 Aletin sökülmesi 3

1. Tespit pimini saat yönünün tersinde altı tur gevşetiniz.
2. Aleti gövdeden çekiniz.

5.6 Aletin takılması 4

1. Zimba kılavuzunu yağlayınız.
2. Zimbayı, iticinin girintisine yerleştiriniz.
3. Kesme yönünü öne doğru ayarlayınız.
4. Aleti, kesme yönü öne bakacak şekilde gövdeye oturtunuz.
5. Ardından aleti istediğiniz kesme yönüne konumlandırınız.
6. Tespit pimini saat yönünde vidalayınız ve elle sıkınız.
 - ▶ Gövde ile kalıp tutucu arasında boşluk olmamalıdır.

5.7 Kesme yönünün ayarlanması 5

Gerekirse kesme yönü sağa veya sola doğru 45°'lik kademelerle döndürülebilir.

Bu sayede profil saclarını daha kolay işleyebilir ve dilme makasını sağ veya sol elle kullanım için ayarlayabilirsiniz.

1. Tespit pimini saat yönünün tersinde yakl. üç tur artık kilitleme hissedilmeyene kadar gevşetiniz.
2. Aleti gövdeden biraz çekiniz ve istediğiniz yöne döndürünüz.
 - ▶ Sekiz kilitleme konumu mümkündür.
3. Aleti istediğiniz kilit konumunda gövdeye geri itiniz.
4. Tespit pimini saat yönünde vidalayınız ve elle sıkınız.
 - ▶ Gövde ile kalıp tutucu arasında boşluk olmamalıdır.

5.8 Strok sayısının ayarlanması

- ▶ Strok sayısını, devir sayısı ayar düğmesi üzerinden ayarlayınız.

6 Kullanım

Bu dokümanda ve ürün üzerinde bulunan güvenlik ve uyarı bilgilerine dikkat ediniz.

6.1 Açılması

1. Açma / Kapama şalterinin arka bölümüne basınız.
2. Kumanda şalterini öne doğru itiniz.
 - ▶ Motor çalışıyor.
3. Açma / Kapama şalterine basınız.

6.2 Kesme 5**⚠ İKAZ**

Dikkat Kör aletler nedeniyle dilme makasında aşırı yüklenme!

- ▶ Zimbanın kesici kenarını düzenli olarak aşınma bakımından kontrol ediniz. Dilme makasını korumak için zimbayı zamanında değiştiriniz.

1. Zimbanın kullanım ömrünü uzatmak ve kesme sonucunu iyileştirmek için kesme hattına yağ sürünüz.
2. Ürünü açınız. → Sayfa 178
3. Tam devir sayısına ulaşıldığında, dilme makasını ilgili iş parçasına konumlandırınız.
 - ▶ İç kesimlerde, önce kullanılan alete uygun bir başlangıç deliği açınız.
4. İstenen kesme hattını işleyiniz.
5. Kesim tamamlandıktan sonra ürünü kapatınız. İş parçasındaki kesme hattı sonlandığında, ilk olarak ürünü kapatmadan önce kesme hattında birkaç milimetre geri çekiniz.



Dilme makasını, tamamen durmadan önce talaşların içerisine bırakmayınız. Talaşlar motor tarafından vakumlanabilir.



6.3 Şablon ile kesme 6

Seçenek: SPN-CN

Şablon ile kesim için şu gereksinimler söz konusudur:

- Şablon kalınlığı 5 - 7 mm aralığında olmalıdır.
- Şablon konturu ile kesme konturu arasında 2,5 mm mesafe olmalıdır.
- 4 mm'lik asgari yarıçapa dikkat ediniz. Şablonun asgari yarıçapı 6,5 mm olmalıdır.
- Dilme makası, zimba kılavuzunun dış kenarı her zaman şablona dayanacak şekilde yönlendirilmelidir.

6.4 Kapatılması

- ▶ Açma / Kapama şalterinin arka bölümüne basınız.
 - ▶ Kumanda şalteri kapalı konumuna geç ve motor durur.

7 Opsiyonel aksesuar

7.1 Talaş torbasının monte edilmesi 7

Seçenek: SPN-CN

Talaşların kontrolsüz şekilde dağılmasını önlemek için, talaşları yakalamakta kullanılan bir talaş torbası monte edilebilir.

1. Her iki yay ucunu talaş torbasında bastırınız.
2. Yayı, kalıbın alt ucuna yerleştiriniz ve yay uçlarını bırakınız.
3. Yayın ve talaş torbasının doğru ve sağlam bir şekilde oturup oturmadığını kontrol ediniz.

8 Bakım ve onarım



İKAZ

Takılı aküden dolayı yaralanma tehlikesi !

- ▶ Tüm bakım ve onarım çalışmalarından önce her zaman aküyü çıkarınız!

Alet bakımı

- Yapışmış olan kir dikkatlice çıkarılmalıdır.
- Toz filtresini çıkartınız ve temiz bir fırça ile hava deliklerini dikkatli bir şekilde temizleyiniz.
- Gövde sadece hafif nemli bir bezle temizlenmelidir. Plastik parçalara yapışabileceğinden silikon içerikli bakım maddeleri kullanılmamalıdır.

Lityum İyon akülerin bakımı

- Akü temiz ve yağ ve gresten uzak tutulmalıdır.
- Gövde sadece hafif nemli bir bezle temizlenmelidir. Plastik parçalara yapışabileceğinden silikon içerikli bakım maddeleri kullanılmamalıdır.
- Aletin içine nem girişi engellenmelidir.

Bakım

- Görünür tüm parçalarda hasar olup olmadığı ve kumanda elemanlarının sorunsuz şekilde çalıştığı kontrol edilmelidir.
- Hasar ve/veya fonksiyon arızaları durumunda ürün çalıştırılmamalıdır. Derhal **Hilti** servisi tarafından onarılmalıdır.
- Bakım ve onarım çalışmalarından sonra tüm koruma tertibatları yerleştirilmeli ve fonksiyonları kontrol edilmelidir.



Güvenli çalışma için sadece orijinal yedek parçalar ve sarf malzemeleri kullanınız. Tarafımızdan onaylanmış, yedek parçaları, aksesuarları ve sarf malzemelerini **Hilti Store** veya şu adreste bulabilirsiniz:
www.hilti.group.



8.1 Zımbanın değiştirilmesi 9

i Her zımba değişiminde ayrıca kalıp, zımba kılavuzu ve aşınma plakası (SPN-CN için değil) aşınmasını da kontrol ediniz ve gerekirse bunları da birlikte değiştiriniz.

1. Aleti sökünüz. → Sayfa 178
2. Aşınmış zımbayı aletten çıkarınız.
3. Yeni zımbayı ve alettaki zımba kılavuzunu yağlayınız.
4. Aşağıdaki donanım mevcutsa bu işlemi de ek olarak yürütünüz:

Seçenek: SPN-RL

- ▶ İtici uzatmasını ilgili itici ve zımba arasına takınız ve yağlayınız.

5. Aleti takınız. → Sayfa 178

8.2 Kalıbın değiştirilmesi 9

Seçenek: SPN-CN

1. Koruma halkasını girintiden yukarı doğru itiniz.
2. Silindirik pimi uygun bir zımba ile dışarı bastırınız.
3. Kalıbı taşıma piminden çekiniz.
4. Yeni kalıbı taşıma pimine takınız.
5. Silindirik pimi tekrar takınız.
6. Koruma halkasını aşağı yönde girintiye oturtunuz ve tam oturup oturmadığını kontrol ediniz.

8.3 Zımba kılavuzunun değiştirilmesi 10

Seçenek: SPN-CN

⚠ DİKKAT

Hasar tehlikesi Ürün ve kesme takımları için!

- ▶ Tespit vidalarını takmadan önce dışı temizleyiniz.
- ▶ Daima birlikte verilen yeni tespit vidalarını kullanınız ve belirtilen sıkma torkuna dikkat ediniz.

1. Kalıbı sökünüz. → Sayfa 180
2. Tespit vidalarını sökünüz.
3. Zımba kılavuzunu çıkarınız.
4. Yeni zımba kılavuzunu yerleştiriniz.
5. Sabitleme vidalarını belirtilen torkla takınız.

Teknik veriler

Sıkma torku

3 Nm

6. Kalıbı tekrar takınız.

8.4 Kalıbın, zımba kılavuzunun ve aşınma plakasının değiştirilmesi 11, 12

Seçenek: SPN-RN

VEYA SPN-RL

⚠ DİKKAT

Hasar tehlikesi Ürün ve kesme takımları için!

- ▶ Tespit vidalarını takmadan önce dışı temizleyiniz.
- ▶ Daima birlikte verilen yeni tespit vidalarını kullanınız ve belirtilen sıkma torkuna dikkat ediniz.

1. Tespit vidalarını sökünüz.
2. Zımba kılavuzunu ve kalıbı çıkarınız.



3. Aşınma plakasında aşınma izleri olup olmadığını kontrol ediniz.

Sonuç

Görünür aşınma izleri mevcutsa:

- ▶ Aşınma plakasını çıkarınız ve yenisiyle değiştiriniz.
- 4. Kalıp yatağındaki destek yüzeylerini temizleyiniz.
- 5. Zımba kılavuzunu ve kalıbı, muylu yardımıyla ortalayınız.
- 6. Tespit vidalarını elle takınız.
- 7. Zımba kılavuzunun yüzeylerini yağlayınız.
- 8. Tespit vidalarını çapraz sırayla ve öngörülen torkla sıkınız.

Teknik veriler	
Sıkma torku	3 Nm

9 Akü aletlerinin taşınması ve depolanması

Taşıma

⚠ DİKKAT

Taşıma sırasında aletin istem dışı çalışması !

- ▶ Ürünlerinizi her zaman aküler takılı olmadan taşıyınız!
- ▶ Akülerin çıkarılması.
- ▶ Aküler kesinlikle sıkıca bağlanmamış koruma ile taşınmalıdır.
- ▶ Uzun süren depolama sonrası kullanmadan önce aletin ve akülerin hasar görmüş olup olmadığını kontrol ediniz.

Depolama

⚠ DİKKAT

Arızalı veya akan aküler nedeniyle beklenmeyen hasar oluşumu !

- ▶ Ürünlerinizi her zaman aküleri yerleştirmeden depolayınız!
- ▶ Aleti ve aküleri mümkün olduğunca soğuk ve kuru yerde depolayınız.
- ▶ Aküleri kesinlikle güneşte, sıcakta veya cam levhaların arkasında depolamayınız.
- ▶ Aleti ve aküleri çocukların ve yetki verilmeyen kişilerin ulaşamayacağı yerlerde depolayınız.
- ▶ Uzun süren depolama sonrası kullanmadan önce aletin ve akülerin hasar görmüş olup olmadığını kontrol ediniz.

10 Arıza durumunda yardım

Bu tabloda listelenmemiş veya kendi başınıza gideremediğiniz arızalarda lütfen yetkili **Hilti** servisimiz ile irtibat kurunuz.


10.1 Hata arama

Arıza	Olası sebepler	Çözüm
Akü normalden daha hızlı boşalıyor.	Çok düşük ortam sıcaklığı.	▶ Aküyü yavaşça oda sıcaklığına ulaşacak biçimde ısınmaya bırakınız.
Akü duyulabilir bir "klik" sesi ile yerine oturmuyor.	Akünün kilit tırnakları kirlenmiş.	▶ Kilit tırnaklarını temizleyiniz ve aküyü yeniden yerine oturtunuz.
1 LED yanıp sönüyor. Alet çalışmıyor.	Akü deşarj olmuş. Akü çok sıcak veya çok soğuk.	▶ Aküyü değiştiriniz ve boş aküyü şarj ediniz. ▶ Aküyü yavaşça oda sıcaklığına ulaşacak biçimde ısınmaya veya soğumaya bırakınız.
4 LED'in tümü yanıp söner. Alet çalışmıyor.	Alet aşırı yüklenmiş.	▶ Kumanda şalterini bırakınız ve şaltre sonra yeniden basınız. Aleti yaklaşık 30 saniye rölati devir hızında çalıştırınız.



Arıza	Olası sebepler	Çözüm
Alette veya aküde yoğun ısı oluşumu.	Elektrik arızası	▶ Aleti hemen kapatınız, aküyü çıkartınız, gözleyiniz, soğumaya bırakınız ve Hilti servisi ile irtibat kurunuz.
Alet, tam güce sahip değil.	Daha düşük kapasiteli bir akü yerleştirildi.	▶ Yeterli kapasiteye sahip bir akü kullanınız.
Azalan kesme performansı	Zımba aşınmış	▶ Zımbayı değiştiriniz. → Sayfa 180
Motorda frenleme fonksiyonu yok.	Akü deşarj olmuş.	▶ Aküyü değiştiriniz ve boş aküyü şarj ediniz.
	Alet kısa süreli olarak aşırı yüklenmiş.	▶ Aleti kapatınız ve tekrar açınız.

11 İmha

 **Hilti** aletleri yüksek oranda geri dönüşümlü malzemelerden üretilmiştir. Geri dönüşüm için gerekli koşul, usulüne uygun malzeme ayrımıdır. Çoğu ülkede **Hilti**, eski aletlerini yeniden değerlendirmek üzere geri alır. Bu konuda **Hilti** müşteri hizmetlerinden veya satış temsilcinizden bilgi alabilirsiniz.

Akülerin imha edilmesi

Akülerin usulüne uygun imha edilmemesi halinde, dışarı çıkan gaz ve sıvılar nedeniyle sağlık sorunları oluşabilir.

- ▶ Hasar görmüş aküleri hiç bir şekilde göndermeyiniz!
- ▶ Kısa devreleri önlemek için, akünün bağlantılarını iletken olmayan bir malzeme ile kapatınız.
- ▶ Aküleri, çocukların ellerine geçmeyecek şekilde imha ediniz.
- ▶ Aküyü size en yakın **Hilti Store**'da imha ediniz veya imha etmek için yetkili şirketinize başvurunuz.



- ▶ Elektrikli el aletlerini, elektronik cihazları ve aküleri evdeki çöplere atmayınız!

12 RoHS (Tehlikeli madde kullanımını kısıtlama direktifi)

Aşağıdaki linkte tehlikeli maddeler tablosunu bulabilirsiniz: qr.hilti.com/r10695220.

RoHS tablosunun linkini bu dokümanın sonunda QR kodu olarak bulabilirsiniz.

13 Üretici garantisi

- ▶ Garanti koşullarına ilişkin sorularınız için lütfen yerel **Hilti** iş ortağınıza başvurunuz.



دليل الاستعمال الأصلي

1 بيانات المستند

1.1 حول هذا المستند

- اقرأ هذه المستندات بالكامل قبل التشغيل. يعتبر هذا شرطا للعمل بشكل آمن والاستخدام بدون اختلالات.
- تراعى إرشادات الأمان والإرشادات التحذيرية الواردة في هذا المستند وعلى الجهاز.
- احتفظ بدليل الاستعمال دائما مع المنتج، ولا تعطي الجهاز لآخرين إلا مرفقا بهذا الدليل.

2.1 شرح العلامات

1.2.1 إرشادات تحذيرية

تبه الإرشادات التحذيرية إلى الأخطار الناشئة عند التعامل مع الجهاز. يتم استخدام الكلمات الدليلية التالية:

خطر

خطر!

◀ تشير لخطر مباشر يؤدي لإصابات جسدية خطيرة أو إلى الوفاة.

تحذير

تحذير!

◀ تشير لخطر محتمل قد يؤدي لإصابات جسدية خطيرة أو إلى الوفاة.





احترس!

احترس!

◀ تشير لموقف خطر محتمل يمكن أن يؤدي لإصابات جسدية أو أضرار مادية.




2.2.1 الرموز في المستند

يتم استخدام الرموز التالية في هذا المستند:

	قبل الاستخدام اقرأ دليل الاستعمال
	إرشادات الاستخدام ومعلومات أخرى مفيدة
	التعامل مع مواد قابلة لإعادة التدوير
	لا تتخلص من الأجهزة الكهربائية البطاريات ضمن القمامة المنزلية

3.2.1 الرموز في الصور

تستخدم الرموز التالية في الرسوم التوضيحية:

	تشير هذه الأعداد إلى الصور المعنية بمطلع هذا الدليل
3	ترقيم الصور يمثل ترتيب خطوات العمل في الصور، وقد يختلف عن ترقيم خطوات العمل في النص
	يتم استخدام أرقام المواضع في صورة العرض العام وهي تشير إلى أرقام تعليق الصورة في فصل عرض عام للمنتج
	ينبغي أن تسترعي هذه العلامة اهتماما خاصا عند التعامل مع المنتج.

3.1 الرموز المرتبطة بالمنتج

1.3.1 الرموز على المنتج

قد تكون الرموز التالية مستخدمة على المنتج:



يدعم الجهاز تقنية NFC المتوافقة مع أنظمة التشغيل iOS و Android.	
بطاريات أيونات الليثيوم المستخدمة من النوع. احرص على مراعاة التعليمات الواردة في الفصل الاستخدام المطابق للتعليمات .	
لا تستخدم البطارية أبداً كمطرقة.	
لا تدع البطارية تسقط. لا تستخدم بطارية تعرضت لصدمات أو أي نوع آخر من التلفيات.	
بطارية أيونات الليثيوم	Li-Ion
تيار مستمر	==
استخدم نظارة واقية للعينين	

4.1 معلومات المنتج

منتجات **Hilti** مصممة للمستخدمين المحترفين ويقتصر استعمالها وصيانتها وإصلاحها على الأشخاص المعتمدين والمدربين جيدا. هؤلاء الأشخاص يجب أن يكونوا قد تلقوا تدريباً خاصاً على الأخطار الطارئة. قد يتسبب الجهاز وأدواته المساعدة في حدوث أخطار إذا تم التعامل معها بشكل غير سليم فنياً من قبل أشخاص غير مدربين أو تم استخدامها بشكل غير مطابق للتعليمات.

يوجد مسمى الطراز والرقم المسلسل على لوحة الصنع.

انقل الرقم المسلسل في الجدول التالي. ستحتاج إلى بيانات المنتج في حالة الاستفسارات الموجهة إلى ممثلينا أو مركز الخدمة.

بيانات المنتج

المقراض	SPN 6-A22
الجيل:	01
الرقم المسلسل:	

5.1 بيان المطابقة

نقر على مسؤوليتنا الفردية بأن المنتج المشروع هنا متوافق مع التشريعات والمواصفات المعمول بها. تجد صورة لبيان المطابقة في نهاية هذا المستند.

المستندات الفنية محفوظة هنا:

Hilti Entwicklungsgesellschaft mbH | Zulassung Geräte | Hiltistraße 6 | 86916 Kaufering, DE

2 السلامة

1.2 إرشادات السلامة العامة المتعلقة بالأدوات الكهربائية

⚠ تحذير احرص على قراءة جميع إرشادات السلامة، التوجيهات، الصور التوضيحية والمواصفات الفنية المرفقة مع هذه الأداة الكهربائية. أي تقصير أو إهمال في الالتزام بالتعليمات التالية قد يتسبب في حدوث صق كهربائي، نشوب حريق و/أو وقوع إصابات خطيرة.

احتفظ بجميع مستندات إرشادات السلامة والتعليمات لاستخدامها عند الحاجة إليها فيما بعد.

يقصد بمصطلح «الأداة الكهربائية» المذكور في إرشادات السلامة الأدوات الكهربائية المشغلة بالكهرباء (باستخدام كابل الكهرباء) أو الأدوات الكهربائية المشغلة بالبطاريات (بدون كابل الكهرباء).

سلامة مكان العمل

- حافظ على نطاق عملك نظيفاً ومضاءً بشكل جيد. الفوضى أو أماكن العمل غير المضاءة يمكن أن تؤدي لوقوع حوادث.
- لا تعمل بالأداة الكهربائية في محيط معرض لخطر الانفجار يتواجد به سوائل أو غازات أو أنواع غبار قابلة للاشتعال. الأدوات الكهربائية تولد شرراً يمكن أن يؤدي لإشعال الغبار والأبخرة.
- احرص على إبعاد الأطفال والأشخاص الآخرين أثناء استخدام الأداة الكهربائية. في حالة انصراف انتباهك قد تفقد السيطرة على الجهاز.



- ◀ يجب أن يكون قابس توصيل الأداة الكهربائية متلائماً مع المقبس. لا يجوز تعديل القابس بأي حال من الأحوال. لا تستخدم قوايس مهايأة مع أدوات كهربائية ذات وصلة أرضي محمية. القوايس غير المعدلة والمقابس الملائمة تقلل من خطر حدوث صدمة كهربائية.
- ◀ تجنب حدوث تلامس للجسم مع أسطح مؤرضة مثل الأسطح الخاصة بالمواسير وأجهزة التدفئة والمواد والتلجّات. ينشأ خطر متزايد من حدوث صدمة كهربائية عندما يكون جسمك متصلاً بالأرض.
- ◀ أبعد الأدوات الكهربائية عن الأمطار أو البلل. تسرب الماء إلى داخل الأداة الكهربائية يزيد من خطر حدوث صدمة كهربائية.
- ◀ لا تستخدم كابل التوصيل لحمل الأداة الكهربائية أو تعليقها أو لسحب القابس من المقبس. احتفظ بكابل التوصيل بعيداً عن السخونة والزيت والحواف الحادة والأجزاء المتحركة. كبلات التوصيل التالفة أو المتشابكة تزيد من خطر حدوث صعق كهربائي.
- ◀ عندما تعمل بأداة كهربائية في مكان مكشوف، فلا تستخدم سوى كبلات الإطالة المناسبة للعمل في النطاق الخارجي. استخدام كابل إطالة مناسب للعمل في النطاق الخارجي يقلل من خطر حدوث صعق كهربائي.
- ◀ إذا تعذر تجنب تشغيل الأداة الكهربائية في محيط رطب، فاستخدم مفتاح حماية من تسرب التيار. استخدام مفتاح الحماية من تسرب التيار يقلل خطر حدوث صدمة كهربائية.

سلامة الأشخاص

- ◀ كن يقظاً وانتبه لما تفعل وتعامل مع الأداة الكهربائية بتعقل عند العمل بها. لا تستخدم الأداة الكهربائية عندما تكون متعباً أو تمت تأثير المخدرات أو الكحوليات أو العقاقير. فقد يتسبب عدم الانتباه للحظة واحدة أثناء الاستخدام في حدوث إصابات بالغة.
- ◀ ارتد تجهيزات وقاية شخصية وارتد دائماً نظارة واقية. ارتداء تجهيزات وقاية شخصية، مثل قناع الوقاية من الغبار وأحذية الأمان المضادة للانزلاق وخوذة الوقاية أو واقي السمع، تبعاً لنوع واستخدام الأداة الكهربائية، يقلل من خطر الإصابات.
- ◀ تجنب التشغيل بشكل غير مقصود. تأكد أن الأداة الكهربائية مطفأة قبل توصيلها بالكهرباء و/أو بالبطارية وقبل رفعها أو حملها، إذا كان إصبعك على المفتاح عند حمل الأداة الكهربائية أو كان الجهاز في وضع التشغيل عند التوصيل بالكهرباء، فقد يؤدي ذلك لوقوع حوادث.
- ◀ أبعد أدوات الضبط أو مفاتيح ربط البراغي قبل تشغيل الأداة الكهربائية. الأداة أو المفتاح المتواجد في جزء دوار من الجهاز يمكن أن يؤدي لحدوث إصابات.
- ◀ تجنب اتخاذ وضع غير طبيعي للجسم. احرص على أن تكون واقفاً بأمان وحافظ على توازنك في جميع الأوقات. من خلال ذلك تستطيع السيطرة على الأداة الكهربائية بشكل أفضل في المواقف المفاجئة.
- ◀ ارتد ملابس مناسبة. لا ترتد ملابس فضفاضة أو حلي. احرص على أن يكون الشعر والملابس والقفازات بعيدة عن الأجزاء المتحركة. الملابس الفضفاضة أو الحلي أو الشعر الطويل يمكن أن تشبكت في الأجزاء المتحركة.
- ◀ إذا أمكن تركيب تجهيزات شفت وتجميع الغبار، فتأكد أنها موصلة ومستخدمة بشكل سليم. استخدام تجهيزة شفت الغبار يمكن أن يقلل الأخطار الناتجة عن الغبار.
- ◀ لا تعتقد بأنك في مأمن من الخطر ولا تتجاهل تشريعات السلامة المعنية للأدوات الكهربائية، حتى وإن كنت على دراية بالأداة الكهربائية بعد تكرار استخدامها. التعامل مع الجهاز بدون حذر قد يؤدي إلى وقوع إصابات بالغة في جزء من الثانية.

استخدام الأداة الكهربائية والتعامل معها

- ◀ لا تفرط في التحميل على الجهاز. استخدم الأداة الكهربائية المناسبة للعمل الذي تقوم به. استخدام الأداة الكهربائية المناسبة يتبع لك العمل بشكل أفضل وأكثر أماناً في نطاق العمل المقرر.
- ◀ لا تستخدم أداة كهربائية ذات مفتاح تالف. الأداة الكهربائية التي لم يعد يمكن تشغيلها أو إطفائها تمثل خطورة ويجب إصلاحها.
- ◀ اسحب القابس من المقبس و/أو اخلع البطارية القابلة للخلع من الجهاز قبل إجراء عمليات الضبط، أو استبدال أجزاء الملحقات أو عند ترك الجهاز. هذا الإجراء الوقائي يمنع بدء تشغيل الأداة الكهربائية دون قصد.
- ◀ احتفظ بالأدوات الكهربائية غير المستخدمة بعيداً عن متناول الأطفال. لا تسمح باستخدام الجهاز من قبل أشخاص ليسوا على دراية به أو لم يقرءوا هذه التعليمات. الأدوات الكهربائية خطيرة في حالة استخدامها من قبل أشخاص ليست لديهم الخبرة الواجبة.
- ◀ اعتني جيداً بالأدوات الكهربائية والملحقات. افحص الأجزاء المتحركة من حيث أداؤها لوظيفتها بدون مشاكل وعدم انحصارها وافحصها من حيث وجود أجزاء مكسورة أو متعرضة للضرر يمكن أن تؤثر



سلبا على وظيفة الأداة الكهربائية. اعمل على إصلاح الأجزاء التالفة قبل استخدام الجهاز. الكثير من الحوادث مصدرها الأدوات الكهربائية التي تم صيانتها بشكل رديء.

- ◀ **حافظ على أدوات القطع حادة ونظيفة.** تتميز أدوات القطع ذات حواف القطع الماددة المعتنى بها بدقة بأنها أقل عرضة للتعثُر وأسهل في التعامل.
- ◀ **استخدم الأداة الكهربائية والملحقات وأدوات العمل وخلافه طبقا لهذه التعليمات.** احرص في هذه الأثناء على مراعاة اشتراطات العمل والمهمة المراد تنفيذها. استخدام الأدوات الكهربائية في تطبيقات غير تلك المقررة لها يمكن أن يؤدي لمواقف خطيرة.
- ◀ **حافظ على المقابض ومواضع المسك في حالة جافة ونظيفة وخالية من الزيت والشحم.** المقابض ومواضع المسك الانزلاقية تحول دون استعمال الأداة الكهربائية والتحكم بها بشكل آمن في المواقف غير المتوقعة.

استخدام الأداة العاملة بالبطارية والتعامل معها

- ◀ **لا تشحن البطارية إلا في أجهزة شحن موصى بها من قبل الجبة الصانعة.** بالنسبة لجهاز الشحن المناسب لنوع معين من البطاريات، ينشأ خطر الحريق عند استخدامه مع بطاريات أخرى.
- ◀ **لا تضع في الأدوات الكهربائية سوى البطاريات المخصصة لها.** استخدام بطاريات أخرى يمكن أن يؤدي لوقوع إصابات وخطر الحريق.
- ◀ **أبعد البطارية غير المستخدمة عن مشابك الورق وقطع النقود المعدنية والمفاتيح والمسامير والبراغي أو الأشياء المعدنية الصغيرة الأخرى التي يمكن أن تتسبب في توصيل الملامسين لبعضهما.** حدوث قفلة كهربائية بين أطراف توصيل البطارية يمكن أن ينتج عنه حدوث حروق أو نشوب حريق.
- ◀ **عند الاستخدام بشكل خاطئ يمكن أن يتسرب سائل من البطارية.** تجنب ملامسته. اشطفه بالماء في حالة ملامسته عن طريق الخطأ. إذا وصل السائل للعينين، فتوجه للطبيب علوة على ذلك. سائل البطارية المتسرب يمكن أن يؤدي لتبيح البشرة أو حدوث حروق.
- ◀ **لا تستخدم بطارية تالفة أو مختلفة.** البطاريات التالفة أو المختلفة قد تتفاعل مع نفسها بشكل غير متوقع مما يؤدي لنشوب حريق أو حدوث انفجار أو وقوع إصابات.
- ◀ **لا تعرض البطارية للنار أو لدرجات حرارة مرتفعة للغاية.** حيث قد تؤدي النار ودرجات الحرارة الزائدة عن 130 °م (265 °ف) إلى حدوث انفجار.
- ◀ **الترم بكافة التعليمات المعنية بالشحن، ولا تقم أبدا بشحن البطارية أو الأداة العاملة بالبطارية خارج نطاق درجة الحرارة الوارد ذكره في دليل التشغيل.** الشحن بشكل خاطئ أو خارج نطاق درجة الحرارة المسموح به قد يتلف البطارية ويزيد من خطر الحريق.

الخدمة

- ◀ **اعمل على إصلاح أداتك الكهربائية على أيدي فنيين معتمدين فقط والاقتصر على استخدام قطع الغيار الأصلية.** وبذلك تتأكد من الحفاظ على سلامة الجهاز.
- ◀ **لا تقم أبدا بصيانة البطاريات التالفة.** يجب أن تتم جميع أعمال الصيانة بمعرفة الجبة الصانعة فقط أو من خلال مراكز خدمة العملاء المعتمدين.

2.2 التعامل بعناية مع الأجهزة العاملة بالبطاريات واستخدامها

- ◀ **تراجع التعليمات الخاصة لنقل وتخزين وتشغيل بطاريات أيونات الليثيوم.**
- ◀ **أبعد البطاريات عن النار ودرجات الحرارة المرتفعة وأشعة الشمس المباشرة.**
- ◀ **لا يجوز تفكيك البطاريات أو سحقها أو وضعها في درجة حرارة أعلى من 80°م أو حرقها.**
- ◀ **لا تستخدم أو تشحن البطاريات التي تعرضت لصددمات، أو سقطت من ارتفاع يزيد على متر أو تعرضت لأية أضرار أخرى.** في هذه الحالة، تواصل دائما مع خدمة Hilti.
- ◀ **في حالة السخونة الشديدة للبطارية بحيث يتعذر الإمساك بها، فقد تكون تالفة.** احرص على وضع البطارية في مكان مرئي وغير قابل للاشتعال مع وجود مسافة كافية من الغامات القابلة للاشتعال. اترك البطارية تبرد. إذا ظلت البطارية ساخنة بعد مرور ساعة لدرجة تعذر لمسها، فهذا يعني أنها تالفة. اتصل بمركز خدمة Hilti.

3.2 إرشادات إضافية للسلامة

سلامة الأشخاص

- ◀ **احرص على ارتداء قفاز واق عند العمل باستخدام المنتج.** أداة الشغل تسخن من جراء الاستخدام، وهو ما ينطوي على خطر الإصابة بحروق. حواف القطع والبرادة المعدنية الناتجة تكون حادة الحواف، وهو ما ينطوي على خطر الإصابة.



- ◀ خذ قسطاً من الراحة أثناء العمل واحرص على عمل تمارين استرخاء و تمارين للأصابع لتدفق الدم في الأصابع بشكل أفضل.
- ◀ استخدم واقياً للسمع. لذا يرجى مراعاة أن الضجيج الصاخب يمكن أن يُفقدك القدرة على السمع.
- ◀ لا تعمل بالمنتج فوق مستوى الرأس.

السلامة الكهربائية

- ◀ اعمل على فحص الأجهزة المتسخة على فترات زمنية منتظمة لدى خدمة Hilti في حالة التعامل المتكرر مع مواد موصلة للكهرباء. حيث يمكن أن يؤدي الغبار الملتصق بسطح الجهاز ولاسيما الغبار الناتج من مواد موصلة للكهرباء أو الرطوبة إلى التعرض لصعقة كهربائية في بعض الظروف غير الملائمة.
- ◀ قم بتنظيف فتحات التهوية بالأداة الكهربائية بصفة منتظمة. تسحب مروحة المحرك الغبار إلى جسم الجهاز ويمكن أن يتسبب التراكم الشديد للغبار المعدني في حدوث أخطار كهربائية.
- ◀ قبل بدء الأعمال افحص نطاق العمل من حيث وجود توصيلات كهرباء مغطاة أو مواسير للغاز والماء، مثلاً باستخدام جهاز للكشف عن المعادن. الأجزاء المعدنية الخارجية بالجهاز يمكن أن تكون موصلة للكهرباء، وذلك إذا قمت سبوا بإتلاف إحدى توصيلات التيار على سبيل المثال.
- ◀ لا تقم بقطع أي قطع شغل يمكن أن تكون موصلة للكهرباء.

سلامة مكان العمل

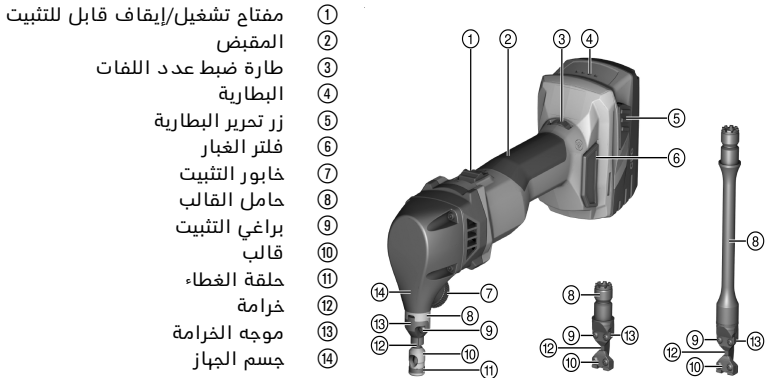
- ◀ حافظ على نطاق العمل. البرادة المعدنية تكون حادة وقد تؤدي إلى حدوث خدوش بالأرضية.

الاستخدام والتعامل بعناية مع الأدوات الكهربائية

- ◀ تأكد أن المنتج خالياً من البرادة والأتساخات. احرص أثناء العمل على عدم وصول أي برادة إلى نطاق مفتاح التشغيل/الإيقاف. حيث قد تتسبب هذه البرادة في إعاقة حركة مفتاح التشغيل/الإيقاف وربما لا يعد بالإمكان إيقاف المنتج.

3 الشرح

1.3 نظرة عامة على المنتج 1



2.3 الاستخدام المطابق للتعليمات

المنتج الموصوف عبارة عن مقرض عامل بالبطارية ومحمول باليد. وهو مخصص للقيام بأعمال القطع في الألواح المصنوعة من خامات قابلة للتثقيب مثل الفولاذ والألومنيوم والمعادن اللاحديدية والبلاستيك، ولقرض الحواف الخارجية المستقيمة أو المنحنية والقطيعات التفريغية الداخلية، وكذلك لأعمال القرص وفق علامات تحديد. العمل بطريقة القرص ينتج عنه حواف قطع خالية من اللتوات. تبعاً لأداة الشغل المستخدمة تكون هناك استخدامات إضافية.

SPN-CN: أداة الشغل هذه مخصصة بشكل إضافي لقطع المواسير وللشغل في ألواح الصاج المموج وكذلك أعمال القرص وفق شابلونة. ويفضل الخرامة المستديرة الموجهة يمكن إدارة المقرض عند العمل على الموضوع المعني ومواصلة الشغل في أي اتجاه.

تجهيز اختياري: SPN-RL و SPN-RN: أدوات الشغل هذه مخصصة بشكل إضافي لقطع ألواح الصاج المضلع مثل ألواح الصاج المصممة بشكل شبه منحرف وألواح الصاج المموج وألواح الصاج الصندوقية والعوارض المقطعية الزاوية.



- اقتصر على استخدام بطاريات أيونات الليثيوم Hilti من النوع B 22 مع هذا المنتج.
- اقتصر على استخدام أجهزة شحن Hilti من الفئة C4/36 لهذه البطاريات.

3.3 مجموعة التجهيزات الموردة

مقراض، مفتاح ربط توركس، دليل الاستعمال
للتشغيل الآمن اقتصر على استخدام قطع الغيار الأصلية و خامات الشغل. تجد قطع الغيار وخامات الشغل
والمحقات المصراع بها من قبلنا للمنتج الخاص بك في متجر **Hilti Store** أو على موقع الإنترنت: **www.hilti.group**

i تم اختبار الجهاز قبل تسليمه للتحقق من كفاءته الوظيفية. وبذلك لا تحدث قطعة الشغل على السطح
الخارجي لعجلة الجهاز سوى أدنى قدر من الخدوش.

4.3 خاصية حماية الجهاز المرتبطة بدرجة الحرارة

تراقب خاصية حماية الموتور المرتبطة بدرجة الحرارة دخل التيار الكهربائي وكذلك سخونة الموتور وبذلك
تحمي الجهاز من السخونة المفرطة.
تؤدي زيادة الحمل على الموتور بفعل الضغط الشديد لضعف قدرة الجهاز بشكل ملحوظ وقد يصل الأمر
لتوقف الجهاز تماما.
في حالة توقف الجهاز أو انخفاض عدد اللفات نظرا للتمهيل الزائد، فيجب عليك تخلص الجهاز من التمهيل
الزائد وتشغيله لمدة 30 ثانية تقريبا على الفارغ.

5.3 بيان حالة الشحن بطارية أيونات الليثيوم

يتم عرض حالة شحن بطارية أيونات الليثيوم بعد النقر على أحد زرّي تحرير البطارية.

الحالة	الاستعمال
تضيء أربع لمبات LED.	حالة الشحن: 75 % إلى 100 %
تضيء ثلاث لمبات LED.	حالة الشحن: 50 % إلى 75 %
تضيء اثنتان من لمبات LED.	حالة الشحن: 25 % إلى 50 %
لمبة LED واحدة تضيء.	حالة الشحن: 10 % إلى 25 %
لمبة LED واحدة تومض.	حالة الشحن: > 10 %

i أثناء العمل وبعده مباشرة لا يمكن الاستعلام عن حالة الشحن. في حالة وميض لمبات LED الخاصة
ببيان حالة شحن البطارية يرجى مراعاة الإرشادات الواردة في المساعدة في حالات الاختلالات.

4 المواصفات الفنية

يتم توريد المقراض بشكل قياسي مع أداة الشغل SPN-CN. ويمكن الموصول على SPN-RN و SPN-RL
كمحقات تكميلية اختيارية.

SPN-RL	SPN-RN	SPN-CN	
21.6 فلت	21.6 فلت	21.6 فلت	الجهد الكهربائي الاسمي
3.3 كجم	3.0 كجم	3.1 كجم	الوزن حسب EPTA Procedure 01 شاملا البطارية B22/8.0
620 لفة/دقيقة .. 1,370 لفة/دقيقة	620 لفة/دقيقة . 1,370 لفة/دقيقة	620 لفة/دقيقة . 1,370 لفة/دقيقة	عدد الأشواط بدون تحميل
24 مم	24 مم	17 مم	قطر الثقب الأولي
•/•	•/•	4.0 مم	أدنى نصف قطر في حالة القطعيات التفريغية منحنية الشكل
50 مم	50 مم	•/•	نصف القطر
5.0 مم	5.0 مم	8.0 مم	عرض فك القطع
2.0 مم / Ga 14	2.0 مم / Ga 14	2.0 مم / Ga 14	سُمك الخامة الفولاذ المسموح به حتى 400 نيوتن/مم ²



SPN-RL	SPN-RN	SPN-CN	
Ga 16 / مم 1.5	Ga 16 / مم 1.5	Ga 16 / مم 1.5	سُمك الخامة الفولاذ المسموح به حتى 600 نيوتن/مم ²
Ga 20 / مم 1.0	Ga 20 / مم 1.0	Ga 20 / مم 1.0	سُمك الخامة الفولاذ المسموح به حتى 800 نيوتن/مم ²
Ga 9 / مم 3,0	Ga 9 / مم 3,0	Ga 10 / مم 2,5	سُمك الخامة الألومنيوم المسموح به حتى 250 نيوتن/مم ²

1.4 البطارية

21.6 فلت	جهد تشغيل البطارية
17° م ... 60° م	درجة الحرارة المحيطة أثناء التشغيل
20° م ... 40° م	درجة حرارة التخزين
10° م ... 45° م	درجة حرارة البطارية عند بدء الشحن

2.4 قيم الضوضاء والاهتزاز طبقا للمواصفة EN 62841

تم قياس ضغط الصوت وقيم الاهتزاز الواردة في هذا الدليل طبقا لأحد معايير القياس المحددة ويمكن الاستعانة بها في إجراء مقارنة بين الأدوات الكهربائية مع بعضها البعض. وهي مناسبة أيضا لتقدير حجم المخاطر بصورة أولية.

المواصفات الواردة تتعلق بالاستخدامات الأساسية للأداة الكهربائية. أما إذا تم استخدام الأداة الكهربائية في تطبيقات أخرى مع أدوات شغل مخالفة للمواصفات أو دون صيانة كافية، ففي هذه الحالة قد تختلف المواصفات. وقد يزيد هذا من نسبة المخاطر طوال مدة العمل بصورة واضحة. وللحصول على تقدير دقيق لحجم المخاطر ينبغي أيضا مراعاة الأوقات التي يتم فيها إيقاف الجهاز أو التي يتم فيها تشغيل الجهاز ولكن دون استخدام حقيقي. وقد يقلل هذا من نسبة المخاطر طوال مدة العمل بصورة واضحة. احرص على اتخاذ إجراءات إضافية للسلامة من شأنها حماية المستخدم من تأثير الضجيج وأو الاهتزازات مثل: صيانة الأداة الكهربائية وأدوات الشغل والمفاظ على الأيدي في حالة دافئة وتنظيم مراحل العمل.

معلومات الضجيج

91 ديسيبل (A)	مستوى ضغط الصوت الاعتيادي المنبعث منصف بالفئة A (L_{pA})
3 ديسيبل (A)	نسبة التفاوت لمستوى ضغط الصوت (K_{pA})
102 ديسيبل (A)	مستوى شدة الصوت الاعتيادي منصف بالفئة A (L_{WA})
3 ديسيبل (A)	نسبة التفاوت لمستوى شدة الصوت (K_{WA})

معلومات الاهتزاز

SPN-RL	SPN-RN	SPN-CN	
6.2 م/ثانية ²	7.4 م/ثانية ²	6.7 م/ثانية ²	قيمة الاهتزاز ثلاثية المحاور (a_h)
1.5 م/ثانية ²	1.5 م/ثانية ²	1.5 م/ثانية ²	نسبة التفاوت (K)

5 التحضير للعمل

⚠ احترس:

خطر الإصابة من خلال التشغيل غير المقصود!

- تأكد قبل إدخال البطاريات أن الجهاز المختص مطفأ.
- اخلع البطارية قبل إجراء عمليات ضبط الجهاز أو تغيير أجزاء الملحقات التكميلية.

تراجعى إرشادات الأمان والإرشادات التحذيرية الواردة في هذا المستند وعلى الجهاز.

1.5 شحن البطارية

- قبل الشحن، قم بقراءة دليل استعمال جهاز الشحن.
- احرص على أن تكون أطراف تلامس البطارية وجهاز الشحن نظيفة وجافة.



3. قم بشحن البطارية باستخدام شاحن مصرح به.

2.5 تركيب البطارية

⚠️ احترس:

خطر الإصابة من خلال قفلة كهربائية أو سقوط البطارية!

- ◀ تأكد قبل تركيب البطاريات في الجهاز من عدم وجود أجسام غريبة بين أطراف توصيل البطارية والجهاز.
- ◀ تأكد من تثبيت البطارية بشكل صحيح دائما.

1. اشحن البطارية لآخرها تماما قبل التشغيل لأول مرة.
2. قم بتركيب البطارية في حامل الجهاز إلى أن تثبت بصوت مسموع.
3. تفحص البطارية من حيث ثباتها في موضعها بشكل جيد.

3.5 خلع البطارية

1. اضغط على أزرار تحرير البطارية.
2. اخلع البطارية من الجهاز.

4.5 الأدوات 2

يرجى التعرف على التركيبة المناسبة من أداة الشغل إلى سطح الشغل من الصورة.

شرح لأسطح الشغل:

- A: الصاج المسطح
 - B: الصاج المموج
 - C: الصاج شبه المنحرف (قيم عمق القطاعات تصل إلى 85 مم كحد أقصى)
 - D: الصاج شبه المنحرف (قيم عمق القطاعات تصل إلى 162 مم كحد أقصى)
- لعمل قطع خال من التواءات باستخدام الأدوات SPN-RN و SPN-RL في صاج بسلك يصل إلى 1 مم، يمكن استخدام القالب P1. حيث إن خلوص القطع الضئيل يقلل من حدوث التواءات.

5.5 فك الأداة 3

1. قم بحل خابور التثبيت من خلال إدارته بمقدار ست لفات عكس اتجاه حركة عقارب الساعة.
2. اجذب الأداة من علبة الجهاز.

6.5 تركيب الأداة 4

1. قم بتشميم موجه الخرامة.
 2. قم بتعليق الخرامة في حز الدقاق.
 3. قم بمحاذاة اتجاه القطع إلى الأمام.
 4. قم بتركيب الأداة في علبة الجهاز بحيث يكون اتجاه القطع إلى الأمام.
 5. بعد ذلك اضبط وضعية الأداة في اتجاه القطع المرغوب.
 6. أدر خابور التثبيت في اتجاه حركة عقارب الساعة واربطه بيدك.
- ◀ يجب ألا يكون هناك أي فاصل بين علبة الجهاز وحامل القالب.

7.5 ضبط اتجاه القطع 5

عند الحاجة يمكن إدارة اتجاه القطع إلى اليمين أو اليسار على مراحل بمقدار 45°. ومن خلال ذلك يمكن العمل بشكل أسهل في ألواح الصاج المضلع وضبط المقراض على طريقة الاستعمال باليد اليمنى أو اليسرى.

1. قم بحل خابور التثبيت من خلال إدارته بمقدار حوالي ثلاث لفات عكس اتجاه حركة عقارب الساعة، إلى أن تنعدم أية حركة تثبيت بشكل ملحوظ.
2. اجذب الأداة بعض الشيء من علبة الجهاز وأدرها في الاتجاه المرغوب.
 - ◀ توجد ثمانية أوضاع تثبيت ممكنة.
3. ادفع الأداة في وضع التثبيت المرغوب لإرجاعها في علبة الجهاز.



4. أدر خابور التثبيت في اتجاه حركة عقارب الساعة واربطه بيدك.
 ◀ يجب ألا يكون هناك أي فاصل بين علبه الجهاز وحامل القالب.

8.5 ضبط عدد الأشواط

- ◀ اضبط عدد الأشواط عن طريق طارة ضبط عدد اللفات.

6 الاستعمال

تراجعى إرشادات الأمان والإرشادات التحذيرية الواردة في هذا المستند وعلى الجهاز.

1.6 التشغيل

1. اضغط على الجزء الخلفي من مفتاح التشغيل/الإيقاف.
2. حرك مفتاح التشغيل/الإيقاف إلى الأمام.
 ◀ يدور المحرك.
3. تثبت مفتاح التشغيل/الإيقاف.

2.6 القطع 5

تحذير ⚠

احترس زيادة التحميل على المقراض من جراء الأدوات الثلثة!

- ◀ افحص بانتظام شفرة قطع الخرامة من حيث وجود تآكل. قم بتغيير الخرامة في الوقت المناسب لضمان الحفاظ على المقراض.

1. ادهن مسار القطع بالزيت لزيادة فترة توقف الخرامة ولتحسين نتيجة القطع.
2. قم بتشغيل المنتج. ← صفحة 191
3. عندما يتم الوصول إلى عدد اللفات الأقصى، قم بتوجيه المقراض على قطعة الشغل.
 ◀ في حالة القطعيات التفريغية الداخلية قم أولاً بعمل ثقب أولي مناسب للأداة المستخدمة.
4. قم بعمل خط القطع المرغوب.
5. بعد إنهاء القطع قم بإيقاف المنتج. في حالة انتهاء مسار القطع في قطعة الشغل، اسحب المنتج المشغل أولاً ليضعة ملليمترات في مسار القطع للخلف قبل أن تقوم بإيقافه.

i لا تضع المقراض في البرادة، طالما أنه لم يتوقف تماماً. فقد يتم شطف هذه البرادة من خلال المحرك.

3.6 القطع باستخدام شابلونة 6

خيار: SPN-CN

يستلزم القطع باستخدام شابلونة تحقق الاشتراطات التالية:

- يجب أن يبلغ سُمك الشابلونة 5 - 7 مم.
- يجب أن تكون حواف الشابلونة على مسافة 2,5 مم من حواف القطع.
- احرص على مراعاة نصف القطر الأدنى البالغ 4 مم. ويبلغ نصف القطر الأدنى للشابلونة وفقاً لذلك 6,5 مم.
- يجب توجيه المقراض بحيث تكون الحافة الخارجية لموجه الخرامة مستقرة دائماً على الشابلونة.

4.6 الإيقاف

- ◀ اضغط على الجزء الخلفي من مفتاح التشغيل/الإيقاف.
 ◀ ينتقل مفتاح التشغيل/الإيقاف إلى وضع الإيقاف ويتوقف المحرك.



1.7 تركيب كيس البرادة 7

خيار: SPN-CN

- لكي لا تتناثر البرادة بشكل خارج عن السيطرة، يمكن تركيب كيس للبرادة لغرض تجميع البرادة فيه.
1. اضغط كلا طرفي الناбус في كيس البرادة معًا.
 2. قم بتركيب الناбус حول الطرف السفلي للقالب واترك طرفي الناбус.
 3. تحقق من التركيب الصحيح والمحكم للناбус وكيس البرادة.

8 العناية والصيانة

تحذير 

خطر الإصابة عند تكون البطارية مركبة !

احرص على خلع البطارية دائما قبل جميع أعمال الإصلاح والعناية!

العناية بالجهاز

- قم بإزالة الاتساخ الملتصق بحرص.
- اخلع فلتر الغبار و قم بتنظيفه مع فتحات التهوية بحرص باستخدام فرشاة جافة.
- نظف جسم الجهاز باستخدام قطعة قماش مبللة بعض الشيء. لا تستخدم مواد عناية تحتوي على السيليكون لما قد تتسبب فيه من الإضرار بالأجزاء البلاستيكية.

العناية ببطاريات أيونات الليثيوم

- حافظ على البطارية نظيفة وخالية من الزيت والشحم.
- نظف جسم الجهاز باستخدام قطعة قماش مبللة بعض الشيء. لا تستخدم مواد عناية تحتوي على السيليكون لما قد تتسبب فيه من الإضرار بالأجزاء البلاستيكية.
- تجنب تسرب الرطوبة إليها.

الصيانة

- افحص جميع الأجزاء المرئية من حيث وجود أضرار وافحص عناصر الاستعمال من حيث كفاءتها الوظيفية.
- في حالة وجود أضرار و/أو اختلالات وظيفية لا تقم بتشغيل المنتج. احرص على الفور على إصلاحه لدى مركز خدمة Hilti.
- بعد أعمال العناية والإصلاح قم بتركيب جميع تجهيزات الحماية وافحصها من حيث الأداء الوظيفي.

للتشغيل الآمن اقتصر على استخدام قطع الغيار الأصلية وخامات الشغل. تجد قطع الغيار وخامات الشغل والملحقات المصراع بها من قبلنا للمنتج الخاص بك في متجر **Hilti Store** أو على موقع الإنترنت: www.hilti.group

1.8 تغيير الخرامة 3

عند كل عملية تغيير للخرامة افحص أيضا القالب وموجه الخرامة واللوح المعرض للتآكل لاستقصاء أي تآكل (يس للطرز SPN-CN) وعند اللزوم قم بتغييرهم مع الخرامة.

1. قم بفك الأداة. - صفحة 190
2. أخرج الخرامة المتآكلة من الأداة.
3. قم بتشحيم الخرامة الجديدة وموجه الخرامة في الأداة.



4. في حالة وجود التجبيز التالي، قم بتنفيذ هذا الإجراء بشكل إضافي:

خيار: SPN-RL

- ◀ قم بتركيب تطويلة الدقاق الموجودة بين الدقاق والخرامة وقم بتشحيما.
- 5. قم بتركيب الأداة. ← صفحة 190

2.8 تغيير القالب 9

خيار: SPN-CN

1. اذفع حلقة الغطاء من المز إلى أعلى.
2. أخرج الخابور الأسطواني من خلال ضغطه للخارج بدفعة مناسبة.
3. انزع القالب من الخابور الحامل.
4. قم بتركيب القالب الجديد على الخابور الحامل.
5. أعد تركيب الخابور الأسطواني.
6. اذفع حلقة الغطاء إلى أسفل في المز وتحقق من التثبيت بشكل صحيح.

3.8 تغيير موجه الخرامة 10

خيار: SPN-CN

⚠ احترس:

خطر حدوث أضرار من جراء المنتج وأدوات القطع!

- ◀ قم بتنظيف القلاووظ قبل تركيب براغي التثبيت.
- ◀ استخدم دائما براغي التثبيت الجديدة الموردة واحرص على مراعاة عزم الربط المدون.

1. قم بفك القالب. ← صفحة 193
2. قم بفك براغي التثبيت.
3. اخلع موجه الخرامة.
4. وقم بتركيب موجه الخرامة الجديد.
5. اربط براغي التثبيت بالعزم المقرر.

المواصفات الفنية

عزم الربط	3 نيوتن متر
-----------	-------------

6. أعد تركيب القالب.

4.8 تغيير القالب وموجه الخرامة واللوح المعرض للتآكل 11، 12

خيار: SPN-RN

أو SPN-RL

⚠ احترس:

خطر حدوث أضرار من جراء المنتج وأدوات القطع!

- ◀ قم بتنظيف القلاووظ قبل تركيب براغي التثبيت.
- ◀ استخدم دائما براغي التثبيت الجديدة الموردة واحرص على مراعاة عزم الربط المدون.

1. قم بفك براغي التثبيت.
2. اخلع موجه الخرامة والقالب.
3. افحص اللوح المعرض للتآكل من حيث وجود آثار تآكل.

النتيجة

في حالة ظهور آثار تآكل واضحة:

- ◀ أخرج اللوح المعرض للتآكل واستبدله بأخر جديد.
- 4. قم بتنظيف أسطح الارتكاز على محمل القالب.
- 5. قم بمركزة موجه الخرامة والقالب بالاستعانة بالأسفين.
- 6. اربط براغي التثبيت بيدك.



7. قم بتشعيم أسطح التوجيه الخاصة بموجه الخرامة.
8. أحكم ربط براغي التثبيت بعزم الربط المقرر بطريقة التقابل.

المواصفات الفنية	
عزم الربط	3 نيوتن متر

9 نقل وتخزين الأجهزة العاملة بالبطاريات

النقل

⚠️ احترس:

التشغيل غير مقصود عند النقل !

◀ قم بنقل المنتج دائما بدون البطاريات!

- ◀ اخلع البطاريات.
- ◀ تجنب نقل البطاريات في كميات سائبة.
- ◀ بعد النقل لمسافة طويلة أو التخزين افحص الجهاز والبطاريات قبل الاستخدام من حيث وجود أضرار.

التخزين

⚠️ احترس:

أضرار غير مقصودة بسبب البطاريات التالفة أو التي بها تسريب. !

◀ قم بتخزين المنتج دائما بدون البطاريات!

- ◀ يجب تخزين الجهاز والبطاريات في مكان جاف وبارد قدر الإمكان.
- ◀ تجنب تخزين البطاريات تحت أشعة الشمس أو على أجهزة التدفئة أو خلف النوافذ الزجاجية.
- ◀ احرص على تخزين الجهاز والبطاريات في مكان يصعب على الأطفال وغير المؤهلين لاستخدامه الوصول إليه.
- ◀ بعد النقل لمسافة طويلة أو التخزين افحص الجهاز والبطاريات قبل الاستخدام من حيث وجود أضرار.

10 المساعدة في حالات الاختلالات

عند حدوث اختلالات غير مذكورة في الجدول أو يتعذر عليك معالجتها بنفسك، فيرجى التوجه إلى مركز خدمة Hilti.

1.10 تقصي الأخطاء

الخلل	السبب المحتمل	الحل
شحنة البطارية تفرغ بشكل أسرع من المعتاد.	درجة حرارة محيطية شديدة الانخفاض.	◀ اترك البطارية تسخن ببطء حتى درجة حرارة الغرفة.
البطارية لا تثبت بصوت طقطقة مسموع.	أطراف تثبيت البطارية متسخة.	◀ قم بتنظيف أطراف التثبيت ثم قم بتثبيت البطارية مجددا.
لمبة LED واحدة تومض. الجهاز لا يعمل.	البطارية فارغة الشحنة.	◀ قم بتغيير البطارية واشحن البطارية الفارغة.
جميع لمبات LED الأربع تومض. الجهاز لا يعمل.	البطارية شديدة البرودة أو السخونة.	◀ اترك البطارية تسخن أو تبرد ببطء حتى درجة حرارة الغرفة.
جميع لمبات LED الأربع تنشأ سخونة شديدة بالجهاز أو البطارية.	الجهاز محمّل بشكل زائد.	◀ اترك مفتاح التحكم واضغط عليه مجددا. ثم دع الجهاز يدور على الفارغ لمدة 30 ثانية تقريبا.
الجهاز لا يعمل بكامل قدرته.	عطل كهربائي	◀ قم بإيقاف الجهاز على الفور، اخلع البطاريات وافحصها جيدا، ثم اتركها تبرد واتصل بمركز خدمة Hilti.
الجهاز لا يعمل بكامل قدرته.	قدرة البطارية المستخدمة ضعيفة للغاية.	◀ استخدم بطارية بقدرة كافية.
قدرة قطع رديئة	الخرامة متآكلة	◀ قم بتغيير الخرامة. – صفحة 192



الخلل	السبب المحتمل	الحل
لا توجد وظيفة كبح بالموتور.	البطارية فارغة الشحنة.	◀ قم بتغيير البطارية واشمن البطارية الفارغة.
	هناك تمثيل زائد على الجهاز لفترة قصيرة.	◀ قم بإيقاف الجهاز ثم أعد تشغيله.

11 التكبين

🔋 أجهزة Hilti مصنوعة بنسبة كبيرة من مواد قابلة لإعادة التدوير. يشترط لإعادة التدوير أن يتم فصل الخامات بشكل سليم فينبا. في العديد من الدول تقوم شركة Hilti باستغلال الأجهزة القديمة لإعادة تدويرها. وللمعلومات حول ذلك اتصل بخدمة عملاء Hilti أو الموزع القريب منك.

التخلص من البطاريات

قد يُشكل التخلص من البطاريات بطريقة غير مطابقة للتعليمات خطراً على الصحة، وذلك من خلال تسرب الغازات أو السوائل.

- ◀ لا تقم بإرسال أو توريد بطاريات تالفة!
- ◀ قم بتغطية التوصيلات باستخدام مادة غير موصلة للكهرباء وذلك لتجنب حدوث قفلات كهربائية.
- ◀ تخلص من البطاريات بحيث لا تصل إلى متناول الأطفال.
- ◀ تخلص من البطارية لدى متجر Hilti Store أو توجه إلى مركز التخلص من النفايات المختص.

◀ لا تعلق الأدوات الكهربائية، الأجهزة الإلكترونية والبطاريات ضمن القمامة المنزلية!



12 مواصفة RoHS (مواصفة تقييد استخدام المواد الخطيرة)

تجد جدولاً بالمواد الخطرة تمت الرابط التالي: qr.hilti.com/r10695220.
تجد رابط خاص بجدول المواد التي تخص المواصفة RoHS في نهاية هذا المستند على هيئة كود QR.

13 ضمان الجبة الصانعة

◀ في حالة وجود أية استفسارات بخصوص شروط الضمان، يرجى التوجه إلى وكيل Hilti المحلي الذي تتعامل معه.



オリジナル取扱説明書

1 文書について

1.1 本書について

- ご使用前に本書をすべてお読みください。このことは、安全な作業と問題のない取扱いのための前提条件となります。
- 本書および製品に記載されている安全上の注意と警告表示に注意してください。
- 取扱説明書は常に製品とともに保管し、他の人が使用する場合には、製品と取扱説明書を一緒にお渡しください。

1.2 記号の説明

1.2.1 警告表示

警告表示は製品の取扱いにおける危険について警告するものです。以下の注意喚起語が使用されています：

危険

危険！

- ▶ この表記は、重傷あるいは死亡事故につながる危険性がある場合に注意を促すために使われます。

警告

警告！

- ▶ この表記は、重傷あるいは死亡事故につながる可能性がある場合に注意を促すために使われます。





注意

注意！

- ▶ この表記は、身体の負傷あるいは物財の損傷が発生する可能性がある場合に使われます。




1.2.2 本書の記号

本書では、以下の記号が使用されています：

	使用前に取扱説明書をお読みください
	本製品を効率良く取り扱うための注意事項や役に立つ情報
	リサイクル可能な部品の取扱い
	工具およびバッテリーを一般ゴミとして廃棄してはなりません

1.2.3 図中の記号

図中では以下の記号が使用されています：

	この数字は本取扱説明書冒頭にある該当図を示しています
3	付番は図中の作業手順の順序に対応していて、本文の作業手順とは一致しない場合があります
	概要図には項目番号が付されていて、製品概要セクションの凡例の番号に対応しています
	この記号は、製品の取扱いの際に特に注意が必要なことを示しています。

1.3 製品により異なる記号

1.3.1 製品に表示されている記号

製品には以下の記号が使用されている場合があります：



	本体は、iOS および Android プラットフォームと互換性のある NFC テクノロジーをサポートしています。
	使用されているHilti Li-Ion バッテリーのモデルシリーズ。正しい使用の章の記載に注意してください。
	バッテリーは決して打撃工具として使用しないでください。
	バッテリーは落下させないでください。ぶつけたり、あるいはその他の理由で損傷しているバッテリーは使用しないでください。
Li-Ion	Li-Ionen バッテリー
	直流
	アイシールドを着用してください

1.4 製品情報

製品はプロ仕様で製作されており、その使用、保守、修理を行うのは、認定を受けトレーニングされた人のみに限ります。これらの人は、遭遇し得る危険に関する情報を入手していなければなりません。製品およびアクセサリーの使用方法を知らない者による誤使用、あるいは規定外の使用は危険です。

機種名および製造番号は銘板に表示されています。

- ▶ 製造番号を以下の表に書き写しておいてください。ヒルティ代理店やサービスセンターへお問い合わせの際には、製品データが必要になります。

製品データ

ニブラー	SPN 6-A22
製品世代:	01
製造番号:	

1.5 適合宣言

当社は、単独の責任において本書で説明している製品が有効な基準と標準規格に適合していることを宣言します。適合宣言書の複写は本書の末尾にあります。

技術資料は本書の後続の頁に記載されています：

Hilti Entwicklungsgesellschaft mbH | Zulassung Geräte | Hiltistraße 6 | 86916 Kaufering, DE

2 安全

2.1 電動工具の一般安全注意事項

⚠ 警告事項 本電動工具に付属のすべての安全上の注意、指示事項、図、および製品仕様をお読みください。以下の指示を守らないと、感電、火災および / または重傷事故の危険があります。

安全上の注意および指示事項が書かれた説明書はすべて大切に保管してください。

安全上の注意で使用する用語「電動工具」とは、お手持ちの電動ツール（電源コード使用）またはバッテリーツール（コードレス）を指します。

作業環境に関する安全

- ▶ 作業場はきれいに保ち、十分に明るくしてください。ちらかった暗い場所での作業は事故の原因となります。
- ▶ 爆発の危険性のある環境（可燃性液体、ガスおよび粉じんのある場所）では電動工具を使用しないでください。電動工具から火花が飛散し、粉じんや揮発性ガスに引火する恐れがあります。
- ▶ 電動工具の使用時、子供や無関係者を作業場へ近づけないでください。作業中に気がそらされると、本体のコントロールを失ってしまう恐れがあります。

電気に関する安全注意事項

- ▶ 電動工具の接続プラグは電源コンセントにきちんと適合しなければなりません。プラグは絶対に変更しないでください。保護接地した電動工具と一緒にアダプタープラグを使用しないでください。オリジナルのプラグと適切なコンセントを使用することにより、感電の危険を小さくすることができます。
- ▶ パイプ、ラジエーター、電子レンジ、冷蔵庫などのアースされた面に体の一部が触れないようにしてください。体が触れると感電の危険が大きくなります。



- ▶ 電動工具を雨や湿気から保護してください。電動工具に水が浸入すると、感電の危険が大きくなります。
- ▶ 電動工具を持ち運んだり、吊り下げたり、コンセントからプラグを抜いたりするときは、必ず本体を持ち、電源コードを持ったり引っ張ったりしないでください。電源コードを火気、オイル、鋭利な刃物、可動部等に触れる場所に置かないでください。電源コードが損傷したり絡まったりしていると、感電の危険が大きくなります。
- ▶ 屋外工事の場合には、必ず屋外専用の延長コードを使用してください。屋外専用の延長コードを使用すると、感電の危険が小さくなります。
- ▶ 湿った場所で電動工具を動作させる必要がある場合は、漏電遮断器を使用してください。漏電遮断器を使用すると、感電の危険が小さくなります。

作業者に関する安全

- ▶ 電動工具を使用の際には、油断せずに十分注意し、常識をもった作業をおこなってください。疲れている場合、薬物、医薬品服用およびアルコール飲用による影響下にある場合には電動工具を使用しないでください。電動工具使用中の一瞬の不注意が重傷の原因となることがあります。
- ▶ 個人用保護具および保護メガネを常に着用してください。負傷の危険を低減するために、電動工具の使用状況に応じた粉じんマスク、耐滑性の安全靴、ヘルメット、耳栓などの個人用保護具を着用してください。
- ▶ 電動工具の意図しない始動を防止して下さい。電動工具を電源および / またはバッテリーに接続する前や本体を持ち上げたり運んだりする前に、本体がオフになっていることを必ず確認してください。オン / オフスイッチが入っている状態で電動工具のスイッチに指を掛けたまま運んだり、電源に接続したりすると、事故の原因となる恐れがあります。
- ▶ 電動工具のスイッチを入れる前に、必ず調節キーやレンチを取り外してください。調節キーやレンチが本体の回転部に装着されたままでは、けがの原因となる恐れがあります。
- ▶ 作業中是不安定な姿勢をとらないでください。足元を安定させ、常にバランスを保つようにしてください。これにより、万一電動工具が異常状況に陥った場合にも、適切な対応が可能となります。
- ▶ 作業に適した作業着を着用してください。だぶだぶの衣服や装身具を着用しないでください。髪、衣服、手袋を本体の可動部に近づけないでください。だぶだぶの衣服、装身具、長い髪が可動部に巻き込まれる恐れがあります。
- ▶ 吸じんシステムの接続が可能な場合には、これらのシステムが適切に接続、使用されていることを確認してください。吸じんシステムを利用することにより、粉じん公害を防げます。
- ▶ 電動工具の取扱いに熟練している場合にも、正しい安全対策を遵守し、電動工具に関する安全規則を無視しないでください。不注意な取扱いは、ほんの一瞬で重傷事故を招くことがあります。

電動工具の使用および取扱

- ▶ 無理のある使用を避けてください。作業用途に適した電動工具を使用してください。適切な電動工具の使用により、能率よく、スムーズかつ安全な作業が行えます。
- ▶ スイッチが故障している場合には、電動工具を使用しないでください。スイッチで始動および停止操作のできない電動工具は危険ですので、修理が必要です。
- ▶ 本体の設定やアクセサリの交換を行う前や本体を保管する前には電源プラグをコンセントから抜き、および / または脱着式のバッテリーを取り外してください。この安全処置により、電動工具の意図しない始動を防止することができます。
- ▶ 電動工具をご使用にならない場合には、子供の手の届かない場所に保管してください。電動工具に関する知識のない方、本説明書をお読みでない方による本体のご使用は避けてください。未経験者による電動工具の使用は危険です。
- ▶ 電動工具とアクセサリは慎重に手入れしてください。可動部分が引っ掛かりなく正常に動作しているか、電動工具の運転に影響を及ぼす各部分が破損・損傷していないかを確認してください。電動工具をご使用になる前に、損傷部分の修理を依頼してください。事故の多くは保守管理の不十分な電動工具の使用が原因となっています。
- ▶ 先端工具は鋭利で汚れのない状態を保ってください。お手入れのゆきとどいた先端工具を使用すると、作業が簡単かつ、スムーズになります。
- ▶ 電動工具、アクセサリ、先端工具などは、それらの説明書に記載されている指示に従って使用してください。その際は、作業環境および用途についてもご注意ください。指定された用途以外に電動工具を使用すると危険な状況をまねく恐れがあります。
- ▶ グリップとグリップ面は乾燥した清潔な状態に保ち、オイルやグリスの付着がないようにしてください。グリップやグリップ面が滑りやすい状態になっていると、予期していない状況が発生した際に電動工具を安全に使用 / 制御できません。

バッテリー工具の使用および取扱

- ▶ バッテリーを充電する場合は、必ずメーカー推奨の充電器を使用してください。特定タイプのバッテリー専用の充電器を他のバッテリーに使用すると、火災の恐れがあります。
- ▶ 電動工具には、必ず指定されたバッテリーを使用してください。指定以外のバッテリーを使用すると、負傷や火災の恐れがあります。



- ▶ 使用されていないバッテリーの近くに、事務用クリップ、硬貨、キー、釘、ネジ、その他の小さな金属物を置かないでください。電気接点の短絡が起こることがあります。バッテリーの電気接点間が短絡すると、火傷や火災が発生する危険があります。
- ▶ 正しく使用しないと、液漏れが発生することがあります。その場合、漏れた液には触れないでください。もしも触れてしまった場合は、水で洗い流してください。バッテリー液が眼に入った場合は、水で洗い流してから医師の診察を受けてください。流出したバッテリー液により、皮膚が刺激を受けたり火傷を負う恐れがあります。
- ▶ 損傷したあるいは変更が加えられたバッテリーは使用しないでください。損傷したあるいは変更が加えられたバッテリーは、予測不可能な挙動により爆発あるいは負傷事故を発生させる危険があります。
- ▶ バッテリーは火気あるいは高温に曝さないでください。火気あるいは 130 °C (265 °F) を超える高温は、爆発の原因となることがあります。
- ▶ 充電に関するすべての指示事項に従い、バッテリーあるいはバッテリー工具は、決して取扱説明書に記載された温度範囲外で充電しないでください。正しくない充電あるいは許容温度範囲外での充電により、バッテリーが破壊され火災が発生する危険があります。

サービス

- ▶ 電動工具の修理は必ず認定サービスセンターにお申し付けください。また、必ず純正部品を使用してください。これにより電動工具の安全性が確実に維持されます。
- ▶ 損傷したバッテリーは決して手入れや保守を行わないでください。バッテリーの保守作業はすべて、メーカーあるいは権限のあるお客様サービスセンターが行うものとします。

2.2 バッテリーの慎重な取扱いおよび使用

- ▶ Li-Ion バッテリーの搬送、保管、作動については特別規定を守ってください。
- ▶ バッテリーは高温、直射日光および火気を避けて保管してください。
- ▶ バッテリーを分解したり、挟んだり、80°C 以上に加熱したり、燃やしたりしないでください。
- ▶ 衝撃を受けたことのあるバッテリー、1 m を超える高さから落下したことのあるバッテリー、あるいはその他の損傷を被っているバッテリーを使用あるいは充電しないでください。この場合には、必ず最寄りの Hilti サービスセンターにご連絡ください。
- ▶ バッテリーが掴むことのできないほどに熱くなっている場合は、故障している可能性があります。バッテリーを、目視確認が可能で可燃物のない場所に、可燃性の資材から十分な距離を設けて置いてください。バッテリーを冷ます。1 時間の経過後にも掴むことのできないほどに熱い場合は、そのバッテリーは故障している可能性があります。Hilti サービスセンターに連絡してください。

2.3 その他の安全上の注意

作業者に関する安全

- ▶ 本製品を使用する際の作業には保護手袋を着用してください。先端工具は使用することで熱くなり、火傷の危険があります。カッティングエッジと金属切り屑は鋭利で、負傷の危険があります。
- ▶ 休憩を取って緊張をほぐし、指を動かして血の巡りを良くするように心がけてください。
- ▶ 耳栓を着用してください。騒音により、聴覚に悪影響が出る恐れがあります。
- ▶ 製品を頭より上の高さで使用しないでください。

電気に関する安全注意事項

- ▶ 導電性のある母材に対して作業を頻繁に行う場合は、定期的にヒルティサービスセンターに本体の点検を依頼してください。本体表面に汚れ（特に導電性の物質）が付着していたり、あるいは濡れていると、場合によっては感電の恐れがあります。
- ▶ 電動工具の通気溝は定期的に清掃してください。モーターファンは埃を本体ハウジングに引き込みます。金属粉じんが過度に堆積すると電気的な危険が発生する可能性があります。
- ▶ 作業を開始する前に、作業領域に埋設された電線、ガス管や水道管がないかを金属探知機などで調査してください。例えば、作業中に誤って先端工具が電線に触れると、本体の金属部分とケーブルが通電する可能性があります。
- ▶ 通電している可能性のある作業材料は切断しないでください。

作業環境に関する安全

- ▶ 作業場を汚れない状態に保ってください。金属切り屑は鋭く、床を傷つけることがあります。

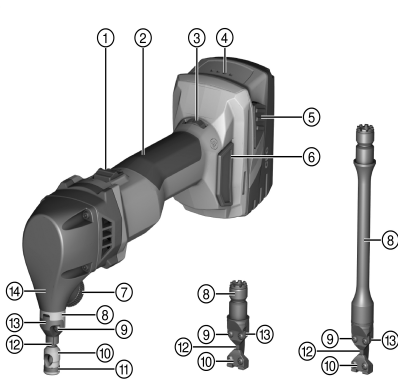
電動工具の慎重な取扱いおよび使用

- ▶ 本製品に切り屑や汚れが付着していないことを確認してください。作業中に切り屑が ON / OFF スイッチ部に入り込むことのないよう注意してください。切り屑が ON / OFF スイッチをブロックし、本製品がオフにできなくなる可能性があります。



3 製品の説明

3.1 製品概要 1



- ① ロック可能な ON/OFF スイッチ
- ② グリップ
- ③ 回転数調整つまみ
- ④ バッテリー
- ⑤ バッテリーリリースボタン
- ⑥ 粉じんフィルター
- ⑦ ロックピン
- ⑧ ダイキャリア
- ⑨ 固定用ネジ
- ⑩ ダイ
- ⑪ カバーリング
- ⑫ パンチ
- ⑬ パンチガイド
- ⑭ ハウジング

3.2 正しい使用

本書で説明している製品は、手持ち使用の充電式ニブラーです。本製品は、扁平形状の作業材料の、鋼材、アルミニウム、非鉄金属、プラスチックなどの打ち抜き可能な材料からの切断、直線あるいは曲線形状の外側エッジおよび内側切り欠き部のニブリング加工、および下図に従ってのニブリング加工のためのものです。ニブリングによる加工により、ねじれないカッティングエッジを得ることができます。先端工具を使用することで、他の用途にも対応できます。

SPN-CN: この先端工具は、パイプの切断、波形板の加工、テンプレートに従ってのニブリング加工のためのものです。中空丸形パンチのため作業中にニブラーを即座に回転でき、任意の方向に加工を続けることが可能です。

オプション: SPN-RN および SPN-RL: これらの先端工具は、台形鋼板、波形板、カセットプレート、オフセット成形材などの成形鋼板の切断のためのものです。

▶ 本製品には、必ずHiltiのB 22シリーズのLi-Ionバッテリーを使用してください。

▶ これらのバッテリーには、必ずHiltiのC4/36シリーズの充電器を使用してください。

3.3 本体標準セット構成

ニブラー、Torx レンチ、取扱説明書

安全な作動のために、必ず純正のスペアパーツと消耗品を使用してください。本製品向けに弊社が承認したスペアパーツ、消耗品およびアクセサリーは、弊社営業担当またはHilti Storeにお問い合わせいただくか、あるいはwww.hilti.groupでご確認ください。

i 本製品は納品前に機能をテストしています。このテストのため、ハウジングの表面に作業材料によるごく小さな傷が認められる場合があります。

3.4 温度感応本体保護

温度感応モーター保護は消費電流およびモーターの加熱をモニターして、本体を加熱から保護します。接触圧が高すぎてモーターが過負荷になると、本体の出力が著しく低下するか、本体が動作を停止することがあります。

過負荷により停止または回転数の低下が発生した場合は、本体を負荷から解放して約 30 秒間無負荷回転数で作動させてください。

3.5 Li-Ion バッテリーの充電状態インジケーター

Li-Ion バッテリーの充電状態は、2つのバッテリーリリースボタンのいずれかを押すと表示されます。

状態	意味
4 個の LED が点灯。	充電状態: 75 %...100 %
3 個の LED が点灯。	充電状態: 50 %...75 %



状態	意味
2 個の LED が点灯。	充電状態 : 25 %...50 %
1 個の LED が点灯。	充電状態 : 10 %...25 %
1 個の LED が点滅。	充電状態 : < 10 %

i 作業中および作業直後は、充電状態の読み取りは行えません。バッテリーの充電状態インジケータの LED が点滅している場合は、「故障時のヒント」の章の注意事項を確認してください。

4 製品仕様

ニブラーは、標準仕様で先端工具SPN-CNとともに納品されます。SPN-RN およびSPN-RL はオプションのアクセサリとしてお求めいただけます。

	SPN-CN	SPN-RN	SPN-RL
定格電圧	21.6 V	21.6 V	21.6 V
EPTA Procedure 01 に準拠した重量 (B228.0 バッテリーを含む)	3.1 kg	3.0 kg	3.3 kg
アイドリング時のストローク速度	620/min ... 1,370/min	620/min ... 1,370/min	620/min ... 1,370/min
スタート穴直径	17 mm	24 mm	24 mm
曲線部の最小半径	4.0 mm	•/•	•/•
半径	•/•	50 mm	50 mm
切断ライン幅	8.0 mm	5.0 mm	5.0 mm
許容材料厚鋼板 400 N/mm ² まで	2.0 mm / 14 Ga	2.0 mm / 14 Ga	2.0 mm / 14 Ga
許容材料厚鋼板 600 N/mm ² まで	1.5 mm / 16 Ga	1.5 mm / 16 Ga	1.5 mm / 16 Ga
許容材料厚鋼板 800 N/mm ² まで	1.0 mm / 20 Ga	1.0 mm / 20 Ga	1.0 mm / 20 Ga
許容材料厚アルミニウム 250 N/mm ² まで	2.5 mm / 10 Ga	3.0 mm / 9 Ga	3.0 mm / 9 Ga

4.1 バッテリー

バッテリー作動電圧	21.6 V
作動時の周囲温度	-17 °C ... 60 °C
保管温度	-20 °C ... 40 °C
充電開始時のバッテリー温度	-10 °C ... 45 °C

4.2 騒音および振動値について (EN 62841 準拠)

本説明書に記載されているサウンドプレッシャー値および振動値は、規格に準拠した測定方法に基づいて測定したものです。電動工具を比較するのにご使用いただけます。曝露値の暫定的な予測にも適しています。記載されているデータは、電動工具の主要な使用方法に対する値です。電動工具を他の用途で使用したり、異なる先端工具を取り付けて使用したり、手入れや保守が十分でないまま使用した場合には、データが異なることがあります。このような相違により、作業時間全体で曝露値が著しく高くなる可能性があります。曝露値を正確に予測するためには、本体のスイッチをオフにしている時間や、本体が作動していても実際には使用していない時間も考慮しなければなりません。このような相違により、作業時間全体で曝露値が著しく低くなる可能性があります。

作業者を騒音および / または振動による作用から保護するために、他にも安全対策を立ててください (例 : 電動工具および先端工具の手入れや保守、手を冷やさないようにする、作業手順の編成)。

騒音について

サウンドプレッシャーレベル (L _{pA})	91 dB(A)
サウンドプレッシャーレベルの不確実性 (K _{pA})	3 dB(A)
サウンドパワーレベル (L _{WA})	102 dB(A)
サウンドパワーレベルの不確実性 (K _{WA})	3 dB(A)



	SPN-CN	SPN-RN	SPN-RL
3 軸の振動値 (a_{h1})	6.7 m/s ²	7.4 m/s ²	6.2 m/s ²
不確実性 (K)	1.5 m/s ²	1.5 m/s ²	1.5 m/s ²

5 作業準備

⚠ 注意

負傷の危険 意図しない始動！

- ▶ バッテリーを装着する前に、バッテリーを装着する製品のスイッチがオフになっていることを確認してください。
- ▶ 本体の設定、またはアクセサリーの交換の前にバッテリーを取り外してください。

本書および製品に記載されている安全上の注意と警告表示に注意してください。

5.1 バッテリーを充電する

1. 充電の前に充電器の取扱説明書をお読みください。
2. バッテリーと充電器の電気接点は汚れがなく、乾燥していることを確認してください。
3. バッテリーは許可された充電器で充電してください。

5.2 バッテリーを装着する

⚠ 注意

負傷の危険 短絡あるいはバッテリーの落下！

- ▶ バッテリーを装着する前に、バッテリーの電気接点と製品の電気接点に異物がないことを確認してください。
 - ▶ バッテリーが正しくロックされていることを常に確認してください。
1. はじめてお使いになる前にはバッテリーをフル充電してください。
 2. ロックの音が聞こえるまでバッテリーを本体ホルダーに装着します。
 3. バッテリーがしっかりと装着されていることを確認してください。

5.3 バッテリーを取り外す

1. バッテリーのリリースボタンを押します。
2. 本体からバッテリーを抜き取ります。

5.4 先端工具

対象物に適した先端工具については、図を参照してください。

対象物の説明：

- A: 平板
- B: 波形板
- C: 台形鋼板（最大厚さ 85 mm まで）
- D: 台形鋼板（最大厚さ 162 mm まで）

先端工具SPN-RN およびSPN-RL を使用して厚さ 1 mm までのシートメタルでバリのない切断を行うために、ダイP1 を使用することができます。切断の遊びが少ないのでバリの発生が抑えられます。

5.5 先端工具を取り外す

1. ロックピンを反時計方向へ 6 回転させて緩めます。
2. 先端工具をハウジングから抜き取ります。

5.6 先端工具を装着する

1. パンチガイドにグリスを塗布します。
2. パンチをプッシャーの溝に挿入します。
3. 切断方向を前方へ向けます。



4. 先端工具を、切断方向を前方にしてハウジングに差し込みます。
5. 続いて先端工具を希望の切断方向位置にします。
6. ロックピンを時計方向にねじ込み、手で締め付けます。
 - ▶ ハウジングとダイキャリアの間に隙間があってはなりません。

5.7 切断方向を調整する

必要に応じて、切断方向を左右に 45° のステップで変更することができます。

これにより成形鋼板の加工が容易になり、ニブラーを右手あるいは左手操作用に調整することができます。

1. ロックピンを、ロックされていることが感じられなくなるまで、反時計方向に約 3 回転させて緩めます。
2. 先端工具を少しハウジングから引き出し、希望の方向へ回します。
 - ▶ 8 箇所ロック位置があります。
3. 希望のロック位置にある先端工具をハウジングに戻します。
4. ロックピンを時計方向にねじ込み、手で締め付けます。
 - ▶ ハウジングとダイキャリアの間に隙間があってはなりません。

5.8 ストローク速度を調整する

- ▶ 回転数調整つまみでストローク速度を調整します。

6 ご使用方法

本書および製品に記載されている安全上の注意と警告表示に注意してください。

6.1 スイッチオン

1. ON/OFF スイッチの後部を押します。
2. ON/OFF スイッチを前方にスライドさせます。
 - ▶ モーターが作動します。
3. ON/OFF スイッチをロックします。

6.2 切断



警告

注意 切れ味が悪い先端工具によるニブラーの過負荷！

- ▶ パンチの切れ刃が摩耗していないか、定期的に点検してください。ニブラーへの負荷を軽減するため、パンチは適切な時期に交換してください。

1. パンチの寿命を長くし切断結果を良好なものにするため、切断ラインにオイルを塗布してください。
2. 製品をオンにします。→ 頁 203
3. 最高回転数に達したなら、ニブラーを作業材料に接触させます。
 - ▶ 内側切り欠き部の加工の際は、まず使用している先端工具に合わせてスタート穴を作製します。
4. 希望の切断ラインを加工します。
5. 切断の終了後は本製品をオフにしてください。切断ラインが作業材料内で終わる場合は、まず本製品をオンになっている状態で数 mm 切断ラインに沿って戻し、その後本製品をオフにしてください。



ニブラーは、完全に停止するまで切り屑の中に置かないでください。モーターが切り屑を吸引してしまうことがあります。

6.3 テンプレートをを使用しての切断

オプション: SPN-CN

テンプレートを使用しての切断には以下の要件があります：

- テンプレートの厚さは 5...7 mm でなければなりません。
- テンプレートの輪郭と切断輪郭との間に 2.5 mm の間隔が必要です。
- 4 mm の最小半径値に注意してください。これにより、テンプレートの最小半径は 6.5 mm となります。
- ニブラーは、パンチガイドの外端が常にテンプレートに接触しているようにガイドしなければなりません。



6.4 スイッチオフ

- ▶ ON/OFF スイッチの後部を押します。
 - ▶ ON/OFF スイッチはオフ位置になりモーターが停止します。

7 オプションのアクセサリ

7.1 切り屑サックを取り付ける

オプション: SPN-CN

切り屑が意図せず飛散することのないよう、これを受けるための切り屑サックを取り付けることができます。

1. 切り屑サックのスプリングの両端を互いに押し付けます。
2. スプリングをダイの下側終端部に巻き付け、スプリングの両端から指を放します。
3. スプリングおよび切り屑サックが正しく確実に取り付けられているか点検します。

8 手入れと保守

警告

バッテリーを装着した状態における負傷の危険！

- ▶ 手入れや保守作業の前に必ずバッテリーを取り外してください！

本体の手入れ


- 強固に付着した汚れは慎重に除去してください。
- 粉じんフィルターを取り外し、フィルターと通気溝を乾いたブラシを使用して慎重に掃除してください。
- ハウジングは必ず軽く湿らせた布で清掃してください。シリコンを含んだ清掃用具はプラスチック部品をいためる可能性があるので使用しないでください。

Li-Ion バッテリーの手入れ


- バッテリーは清潔に保ち、オイルやグリスで汚さないようにしてください。
- ハウジングは必ず軽く湿らせた布で清掃してください。シリコンを含んだ清掃用具はプラスチック部品をいためる可能性があるので使用しないでください。
- 湿気が入り込まないようにしてください。

保守

- 目視確認可能なすべての部品について損傷の有無を、操作エレメントについては問題なく機能することを定期的に点検してください。
- 損傷および/または機能に問題のある場合は、本製品を使用しないでください。直ちにHilti サービスセンターに修理を依頼してください。
- 手入れおよび保守作業の後には、すべての安全機構を取り付けて機能を点検してください。

 安全な作動のために、必ず純正のスペアパーツと消耗品を使用してください。本製品向けに弊社が承認したスペアパーツ、消耗品およびアクセサリは、弊社営業担当またはHilti Storeにお問い合わせいただくか、あるいはwww.hilti.groupでご確認ください。

8.1 パンチを交換する

 パンチの交換の際には、毎回ダイ、パンチガイドおよび摩耗プレート（SPN-CN を除く）の摩耗についても点検し、必要に応じてこれらも交換してください。

1. 先端工具を取り外します。→ 頁 202
2. 摩耗したパンチを先端工具から取り外します。
3. 新しいパンチと先端工具のパンチガイドにグリスを塗布します。



4. 以下の装備がある場合は、追加してこの作業を行ってください：

オプション：SPN-RL

- ▶ ブッシャーとパンチの間にブッシャーエクステンションを取り付け、グリスを塗布します。
5. 先端工具を装着します。→ 頁 202

8.2 ダイを交換する 9

オプション：SPN-CN

1. カバーリングを溝から上方へスライドさせます。
2. 円筒ピンを適切な方法で押し出します。
3. キャリアピンからダイを抜き取ります。
4. 新しいダイをキャリアピンに取り付けます。
5. 円筒ピンを取り付けます。
6. カバーリングを溝へと押し下げ、正しく取り付けられているか点検します。

8.3 パンチガイドを交換する 10

オプション：SPN-CN

△ 注意

損傷の危険 本製品および切断工具！

- ▶ 固定用ネジを取り付ける前にネジ山を清掃してください。
- ▶ 常に同梱されている新しい固定用ネジを使用し、所定の締付けトルクに注意してください。

1. ダイを取り外します。→ 頁 205
2. 固定用ネジを取り外します。
3. パンチガイドを取り外します。
4. 新しいパンチガイドを取り付けます。
5. 固定用ネジを規定のトルクで取り付けます。

製品仕様	
締付けトルク	3 Nm

6. ダイを取り付けます。

8.4 ダイ、パンチガイドおよび摩耗プレートを交換する 11, 12

オプション：SPN-RN

あるいは SPN-RL

△ 注意

損傷の危険 本製品および切断工具！

- ▶ 固定用ネジを取り付ける前にネジ山を清掃してください。
- ▶ 常に同梱されている新しい固定用ネジを使用し、所定の締付けトルクに注意してください。

1. 固定用ネジを取り外します。
2. パンチガイドおよびダイを取り外します。
3. 摩耗プレートの摩耗痕を点検します。
点検結果
明らかな摩耗痕が認められる場合：
▶ 摩耗プレートを取り外して、新品に交換します。
4. ダイベアリングの接触面を清掃します。
5. ほぞによりパンチガイドとダイの中心を合わせます。
6. 固定用ネジを手で取り付けます。
7. パンチガイドのガイド面にグリスを塗布します。



8. 固定用ネジを規定のトルクで締め付けます、対角線上に位置するネジを十字を描く順序で締め付けていきます。

製品仕様	
締め付けトルク	3 Nm

9 バッテリー装置の搬送および保管

搬送

△ 注意

搬送時の予期しない始動！

- ▶ お使いの製品は、必ずバッテリーを装着していない状態で搬送してください！
- ▶ バッテリーを取り外します。
- ▶ バッテリーは決して梱包しない状態で搬送しないでください。
- ▶ 本体とバッテリーを長距離にわたって搬送した後は、使用前に損傷がないかチェックしてください。

保管上の注意事項

△ 注意

故障したあるいは液漏れしたバッテリーによる予期しない損傷！

- ▶ お使いの製品は、必ずバッテリーを装着していない状態で保管してください！
- ▶ 本体とバッテリーは、できるだけ涼しくて乾燥した場所に保管してください。
- ▶ バッテリーを太陽の直射下、ラジエーターの上、窓際等で保管しないでください。
- ▶ 本体とバッテリーは、子供や権限のない人が手を触れることのないようにして保管してください。
- ▶ 本体とバッテリーを長期間にわたって保管した後は、使用前に損傷がないかチェックしてください。

10 故障時のヒント

この表に記載されていない、あるいはご自身で解消することのできない故障が発生した場合には、弊社営業担当またはHilti サービスセンターにご連絡ください。

10.1 故障かな？と思った時

故障	考えられる原因	解決策
バッテリーの放電が通常よりも早い。	周囲温度が低すぎる。	▶ バッテリーをゆっくり室温まで暖める。
バッテリーが「カチッ」と音がするまでロックされない。	バッテリーのロックノッチが汚れている。	▶ ロックノッチを清掃してバッテリーを改めてロックする。
1個のLEDが点滅。 本体が作動しない。	バッテリーが放電している。	▶ バッテリーを交換し、空のバッテリーを充電する。
	バッテリーの温度が低すぎる、または高すぎる。	▶ バッテリーをゆっくり室温まで暖める / 冷ます。
4個すべてのLEDが点滅。 本体が作動しない。	本体の過負荷。	▶ コントロールスイッチから指を放し、改めてコントロールスイッチを操作する。続いて本体を約30秒間アイドリングさせる。
本体あるいはバッテリーが熱くなる。	電氣的故障	▶ 本体の電源を直ちに切ってバッテリーを取り外して観察する、バッテリーを冷ましてHilti サービスセンターに連絡する。
本体機能がフルに発揮されない。	容量の十分でないバッテリーが装着されている。	▶ 十分な容量のバッテリーを使用する。
切断性能の低下	パンチの摩耗	▶ パンチを交換します。→ 頁 204
モーターの制動機能なし。	バッテリーが放電している。	▶ バッテリーを交換し、空のバッテリーを充電する。
	本体に短期的に過負荷がかかっている。	▶ 本体をオフにして、再びオンにする。



11 廃棄

Hilti 製品の大部分の部品はリサイクル可能です。リサイクル前にそれぞれの部品は分別して回収されなければなりません。多くの国で Hilti は、古い電動工具をリサイクルのために回収しています。詳細については弊社営業担当または Hilti 代理店・販売店にお尋ねください。

バッテリーを廃棄する

バッテリーを誤った方法で廃棄すると、漏出するガスあるいはバッテリー液により健康を損なう危険があります。

- ▶ 損傷したバッテリーを送付しないでください!
- ▶ 短絡を防止するために接続部を非導電性のもので覆ってください。
- ▶ バッテリーは子供が手を触れることのないように廃棄してください。
- ▶ バッテリーの廃棄は、最寄りの Hilti Store あるいは適切な廃棄物処理業者に依頼してください。



- ▶ 電動工具、電子機器およびバッテリーを一般ゴミとして廃棄してはなりません!

12 RoHS (有害物質使用制限に関するガイドライン)

下記のリンクより、有害物質を記載した表を確認できます：qr.hilti.com/r10695220。
本書の最終ページに RoHS 表にリンクした QR コードがあります。

13 メーカー保証

- ▶ 保証条件に関するご質問は、最寄りの Hilti 代理店・販売店までお問い合わせください。

오리지널 사용 설명서

1 문서 관련 기재사항

1.1 본 문서에 대해

- 처음 사용하기 전에 본 문서 전체를 읽으십시오. 안전하게 작업하고 문제 없이 취급하기 위한 전제가 됩니다.
- 본 문서 및 제품에 나와 있는 안전 지침 및 경고 지침에 유의하십시오.
- 항상 제품에 있는 사용 설명서를 잘 보관하고 제품은 반드시 본 지침과 함께 다른 사람에게 전달하십시오.

1.2 기호 설명

1.2.1 경고사항

본 제품을 다루면서 발생할 수 있는 위험에 대한 경고사항. 다음과 같은 시그널 워드가 사용됩니다.



위험!

- ▶ 이 기호는 직접적인 위험을 표시합니다. 만약 지키지 않으면 심각한 부상을 당하거나 사망할 수도 있습니다.



경고!

- ▶ 이 기호는 잠재적인 위험을 표시합니다. 만약 지키지 않으면 심각한 부상을 당하거나 사망할 수도 있습니다.



주의!

- ▶ 이 기호는 잠재적인 위험 상황을 표시합니다. 만약 지키지 않으면 부상 또는 물적 손실을 입을 수 있습니다.

1.2.2 문서에 사용된 기호

본 문서에서 사용되는 기호는 다음과 같습니다.



2253588

	사용하기 전에 사용설명서를 읽으십시오.
	적용 지침 및 기타 유용한 사용정보
	재사용이 가능한 자재 취급방법
	전기 기기 및 배터리를 일반 가정의 쓰레기처럼 폐기해서는 안 됨

1.2.3 그림에 사용된 기호

다음과 같은 기호가 그림에 사용됩니다.

	이 숫자는 본 설명서의 첫 부분에 있는 해당 그림을 나타냅니다.
3	매겨진 숫자는 작업 단계의 순서를 나타내며, 텍스트에 매겨진 작업 단계와 차이가 있을 수 있습니다.
	항목 번호는 개요 그림에서 사용되며, 제품 개요 단락에 나와 있는 기호 설명 번호를 나타냅니다.
	이 표시는 제품을 다룰 때, 특별히 주의할 사항을 나타냅니다.

1.3 제품 관련 기호

1.3.1 제품에 사용된 기호

제품에 사용되는 기호는 다음과 같습니다.

	본 기기는 iOS 및 Android 플랫폼과 호환 가능한 NFC 기술을 지원합니다.
	사용한 Hilti 리튬이온 배터리 모델 시리즈. 규정에 맞는 사용 단원에 제시된 내용에 유의하십시오.
	배터리는 절대 타격 공구로 사용해서는 안 됩니다.
	배터리를 떨어뜨리지 마십시오. 타격을 받은 적이 있거나 다른 손상이 있는 배터리는 사용하지 마십시오.
Li-Ion	리튬이온 배터리
	직류
	보안경 착용

1.4 제품 정보

제품은 전문가용으로 설계되어 있으며, 해당 교육을 이수한 공인된 작업자를 통해서만 조작, 유지 보수 및 수리 작업을 진행할 수 있습니다. 이 기술자는 발생할 수 있는 위험에 대해 특별 교육을 받은 상태여야 합니다. 교육을 받지 않은 사람이 제품을 부적절하게 취급하거나 규정에 맞지 않게 사용할 경우에는 기기와 그 보조기구에 의해 부상을 당할 위험이 있습니다.

형식 명칭 및 일련 번호는 형식 라벨에 제시되어 있습니다.

- ▶ 일련 번호를 다음의 표에 옮기십시오. 대리점 또는 서비스 센터에 문의할 경우 제품 제원이 필요합니다.

제품 제원

니블러	SPN 6-A22
세대:	01
일련번호:	

1.5 적합성 선언

퍼사는 전적으로 책임을 지고 여기에 기술된 제품이 통용되는 기준과 규격에 일치함을 공표합니다. 적합성 증명서 사본은 본 문서 끝 부분에서 확인할 수 있습니다.



2 안전

2.1 전동 공구에 대한 일반적인 안전상의 주의사항

⚠ 경고 해당 전동 공구와 함께 동봉된 모든 안전상의 주의 사항, 지침, 그림 및 기술자료를 숙지하십시오. 다음과 같은 지침 내용을 준수하지 않으면 전기 충격, 화재가 발생하거나 그리고/또는 중상을 입을 수 있습니다. 앞으로 모든 안전상의 주의사항과 지침을 보관하십시오.

안전상의 주의사항에서 사용되는 "전동 공구"라는 개념은 전원에 연결하여 사용하는 전동 공구(전원 케이블 있음) 또는 배터리를 사용하는 전동 공구(전원 케이블 없음)를 의미합니다.

작업장 안전수칙

- ▶ 작업장을 항상 깨끗이 하고 조명이 잘 들도록 하십시오. 어수선한 작업환경 또는 어두운 작업장은 사고를 초래할 수 있습니다.
- ▶ 인화성 액체, 가스 또는 먼지가 있어 폭발 위험이 있는 환경에서는 전동 공구를 사용하지 마십시오. 전동 공구는 먼지나 증기를 점화시킬 수 있는 스파크를 일으킵니다.
- ▶ 전동 공구를 사용할 때, 어린이들이나 다른 사람들이 작업장에 접근하지 못하도록 하십시오. 다른 사람의 방해로 인해 기기를 통제하기 어렵습니다.

전기에 관한 안전수칙

- ▶ 전동 공구의 전원 플러그가 소켓에 잘 끼워져야 합니다. 플러그를 절대 변형시켜서는 안됩니다. 접지된 전동 공구와 함께 아답터 플러그를 사용하지 마십시오. 변형되지 않은 플러그와 적합한 소켓을 사용하면 감전의 위험을 줄일 수 있습니다.
- ▶ 파이프, 히터, 전기라인지, 냉장고와 같은 접지 표면에 신체 접촉을 피하십시오. 신체에 닿을 경우 감전될 위험이 높습니다.
- ▶ 전동 공구가 비에 맞지 않도록 하고 습한 장소에 두지 마십시오. 전동 공구에 물이 들어가면 감전될 위험이 높습니다.
- ▶ 전원 케이블만 잡고 전동 공구를 운반하거나 걸어 놓아서는 안되며, 소켓에서 전원 플러그를 빼낼 때 케이블만 잡은 채로 빼내지 마십시오. 전원 케이블이 열, 오일, 날카로운 모서리 또는 부품의 가동 부위에 접촉하지 않도록 주의하십시오. 손상되거나 서로 꼬인 전원 케이블은 감전 위험을 높입니다.
- ▶ 실외에서 전동 공구를 이용하여 작업할 때, 실외용으로 승인된 연장 케이블만 사용하십시오. 실외용 연장 케이블을 사용하면 감전의 위험을 줄여줍니다.
- ▶ 전동 공구를 습한 환경에서 사용하는 것을 피할 수 없을 경우, 누전 차단기를 사용하십시오. 누전 차단기를 사용하면 감전 위험을 줄일 수 있습니다.

사용자 안전수칙

- ▶ 신중하게 작업하십시오. 작업에 정신을 집중하고 전동 공구를 사용할 때 경솔하게 행동하지 마십시오. 피곤하거나 항정신성 약물, 술 또는 약을 복용시에는 전동 공구를 사용하지 마십시오. 전동 공구 사용 시 이에 유의하지 않을 경우 심각한 부상을 초래할 수 있습니다.
- ▶ 안전 장비를 갖추고 보안경을 착용하십시오. 전동 공구의 종류와 사용에 따라, 먼지 보호 마스크, 미끄럼 방지용 안전 신발, 안전모 또는 귀마개 등과 같은 안전한 보호장비를 착용하면 부상의 위험을 줄일 수 있습니다.
- ▶ 실수로 기기가 작동하지 않도록 주의하십시오. 전동 공구를 전원 그리고/또는 배터리에 연결하기 전, 보관 또는 운반 전에 전동 공구가 스위치 OFF 상태인지 확인하십시오. 전동 공구 운반 시 스위치에 손가락을 대거나 스위치가 켜진 상태에서 전원을 연결하면 사고를 유발할 수 있습니다.
- ▶ 전동 공구의 스위치를 켜기 전, 조정공구 또는 렌치를 제거하십시오. 기기 회전부에 남아있는 공구나 렌치로 인해 부상을 입을 수 있습니다.
- ▶ 작업 시 비정상적인 자세는 피하십시오. 안전한 작업 자세가 되도록 하고, 항상 균형을 유지하십시오. 이렇게 하여 예기치 않은 상황에서도 전동 공구를 잘 제어할 수 있습니다.
- ▶ 적합한 작업복을 착용하십시오. 헐렁한 복장이나 장식품을 착용하지 마십시오. 작동하는 기기 가동 부위에 머리, 옷 그리고 장갑이 가까이 닿지 않도록 주의하십시오. 헐렁한 복장, 장식품 혹은 긴 머리가 가동 부위에 말려 들어갈 수 있습니다.
- ▶ 먼지 제거장치나 수거장치를 설치할 수 있는 기기의 경우, 이 장치들이 연결되어 있는지 그리고 제대로 작동되는지를 확인하십시오. 먼지 포집장치 사용은 먼지로 인한 위험을 줄여줄 수 있습니다.
- ▶ 이 전동 공구를 여러번 사용해봤다고 해서 안전하다고 안심하지 말고 전동 공구에 해당되는 안전 규칙을 무시하지 마십시오. 부주의하게 행할 경우 아주 짧은 순간에 중상을 입을 수 있습니다.

전동 공구의 취급과 사용

- ▶ 기기에 과부하가 걸리지 않도록 하십시오. 귀하의 작업에 적합한 전동 공구를 사용하십시오. 적합한 전동 공구를 사용하면, 지정된 성능 한도 내에서 더 효율적으로 안전하게 작업할 수 있습니다.



- ▶ 스위치가 고장난 전동 공구는 사용하지 마십시오. 스위치가 작동되지 않는 전동 공구는 위험하므로, 반드시 수리를 해야 합니다.
- ▶ 기기 세팅을 실행, 액세서리를 교환 또는 기기를 보관하기 전에 컨넥터를 전원소켓에서 그리고/또는 탈착식 배터리를 기기에서 빼놓으십시오. 이러한 조치는 실수로 전동 공구가 작동하지 않도록 방지합니다.
- ▶ 사용하지 않는 전동 공구는 어린이들의 손이 닿지 않는 곳에 보관하십시오. 기기 사용에 익숙치 않거나 또는 이 안전수칙을 읽지 않은 사람이 기기를 사용해서는 안 됩니다. 비숙련자가 전동 공구를 사용하면 위험합니다.
- ▶ 전동 공구 및 액세서리를 유의해서 관리하십시오. 기기의 가장 부위가 완벽하게 작동하는지, 끼어 있지 않은지, 혹은 부품이 손상되거나 파손되어 있어 전동 공구의 기능을 저하시키지 않는지 점검하십시오. 기기 사용 전 손상된 부품을 수리하도록 하십시오. 제대로 관리되지 않은 전동 공구는 많은 사고를 유발합니다.
- ▶ 절단기기는 날카롭고 깨끗하게 관리하십시오. 날카로운 절단면이 있고 잘 관리된 절단기기는 끼이는 경우가 드물고 조절하기도 쉽습니다.
- ▶ 본 지침에 따라 전동 공구, 액세서리, 공구 비트 등을 사용하십시오. 이 때 작업 조건과 실시하려는 작업 내용을 고려하십시오. 원래 사용 분야가 아닌 다른 작업에 전동 공구를 사용할 경우, 위험한 상황을 초래할 수 있습니다.
- ▶ 손잡이 및 손잡이 표면은 건조하고 깨끗하게, 그리고 오일과 그리스가 묻어있지 않도록 해야 합니다. 미끄러운 손잡이 및 손잡이 표면은 예상치 못한 상황에서 전동 공구를 안전하게 조작하고 제어할 수 없습니다.

배터리 공구의 취급과 사용

- ▶ 제조회사가 권장한 충전기에만 배터리를 충전시키십시오. 특정한 형식의 배터리를 사용하도록 규정되어 있는 충전기에 다른 배터리를 사용할 경우 화재 발생의 위험이 있습니다.
- ▶ 전동 공구에 적합하게 규정된 배터리만 사용하십시오. 다른 배터리를 사용하면 부상을 입을 수 있고, 화재가 발생할 수 있습니다.
- ▶ 배터리를 사용하지 않을 경우 클립, 동전, 키, 못, 나사 또는 다른 소형 금속 물질로부터 사용하지 않는 배터리를 멀리 떨어뜨려 놓아주십시오. 배터리 간 단락으로 인한 연소 또는 화재를 초래할 수 있습니다.
- ▶ 잘못 사용할 경우, 배터리로부터 전해액이 흘러나올 수 있습니다. 전해액을 직접 만지지 마십시오. 실수로 만졌을 경우, 물로 씻으십시오. 전해액이 눈에 들어갔으면, 의사와 상담하십시오. 배터리로부터 흘러나온 전해액은 피부를 손상시킬 수 있으며, 화재를 발생시킬 수 있습니다.
- ▶ 손상된 배터리 또는 변경된 배터리를 사용하지 마십시오. 손상된 배터리 또는 변경된 배터리는 예상치 못한 상황 및 화재, 폭발 또는 부상 위험을 초래할 수 있습니다.
- ▶ 배터리에서 불꽃이 발생하거나 또는 배터리가 너무 높은 온도에 노출되지 않게 하십시오. 불꽃 또는 온도가 130 °C (265 °F)를 넘으면 폭발을 일으킬 수 있습니다.
- ▶ 충전에 관한 모든 지침을 준수하여 배터리 또는 배터리 공구를 절대 사용 설명서에 제시된 범위를 벗어난 온도에서 충전하지 마십시오. 잘못 충전하거나 허용된 범위를 벗어난 온도에서 충전하면 배터리가 파손되어 화재 발생 위험이 높아질 수 있습니다.

서비스

- ▶ 전동 공구는 반드시 자격을 갖춘 전문가에 의해 그리고 순정 대체부품만 이용하여 수리해야 합니다. 이렇게 하여 기기의 안전성을 계속해서 유지할 수 있습니다.
- ▶ 손상된 배터리를 절대 수리하지 마십시오. 배터리 수리는 제조회사 또는 권한을 위임받은 고객 서비스 센터에서만 이루어져야 합니다.

2.2 배터리의 올바른 사용방법과 취급방법

- ▶ 리튬 이온 배터리의 운반, 보관 및 사용에 대한 특수 지침에 유의하십시오.
- ▶ 배터리를 고열, 직사광선 및 화염 근처에 두지 마십시오.
- ▶ 배터리를 분해하거나 강한 압력 또는 80°C 이상의 열을 가하거나 연소시켜서는 안 됩니다.
- ▶ 충격을 받은 적이 있거나, 1미터가 넘는 높이에서 떨어진 적이 있거나 혹은 다른 방식으로 손상된 배터리는 절대 사용하지거나 충전하지 마십시오. 이러한 경우 항상 Hilti 서비스 센터로 문의해 주시기 바랍니다.
- ▶ 배터리를 잡기에 너무 뜨거운 경우에는 고장일 수 있습니다. 배터리를 인화성 물질과 충분한 거리를 둔 상태에서 눈에 잘 띄어 불이 잘 붙지 않는 장소에 두십시오. 배터리를 냉각시키십시오. 한 시간 후에도 계속해서 배터리를 잡기에 너무 뜨거운 경우에는 배터리에 결함이 있을 수 있습니다. Hilti 서비스 센터에 문의하십시오.

2.3 추가적인 안전상의 주의사항

사용자 안전수칙

- ▶ 본 제품을 사용할 때는 보호 장갑을 착용하십시오. 사용 중 기기 비트에서 열이 발생되어 화상을 입을 수 있습니다. 가공되는 절단날과 금속 칩이 날카로워 부상을 입을 수 있습니다.
- ▶ 손가락의 혈액순환이 잘 되도록 하기 위해 휴식시간 동안 손가락 운동을 하십시오.
- ▶ 귀마개를 착용하십시오. 극심한 소음은 청각 상실을 유발할 수 있습니다.
- ▶ 작업 중 기기를 머리 위로 올리지 마십시오.



전기에 관한 안전수칙

- ▶ 전도성 소재를 자주 가공할 경우, 정기적으로 Hilti 서비스 센터에서 오염된 기기를 점검 받으십시오. 특히 전도성 소재에서 기기의 표면에 달라 붙어있는 먼지나 습기는 작업자의 기기 조작을 어렵게 만들며, 부적절한 조건에서는 감전을 일으킬 수도 있습니다.
- ▶ 전동 공구의 환기 슬롯을 정기적으로 청소하십시오. 모터 블로어가 먼지를 하우징으로 끌어당기고 금속 먼지가 많이 축적되게 되면 전기적 위험이 발생할 수 있습니다.
- ▶ 작업을 시작하기 전에, 예를 들면 금속 탐지기를 이용하여 작업장에서 가려져 있거나 덮여 있는 전기 배선, 가스 파이프 그리고 하수도관이 있는지를 점검하십시오. 예를 들어 실수로 전기 배선이 손상될 경우, 기기 외부의 금속 부분에 전기가 흐를 수 있습니다.
- ▶ 전기가 흐를 수 있는 가공물을 절단하지 마십시오.

작업장 안전수칙

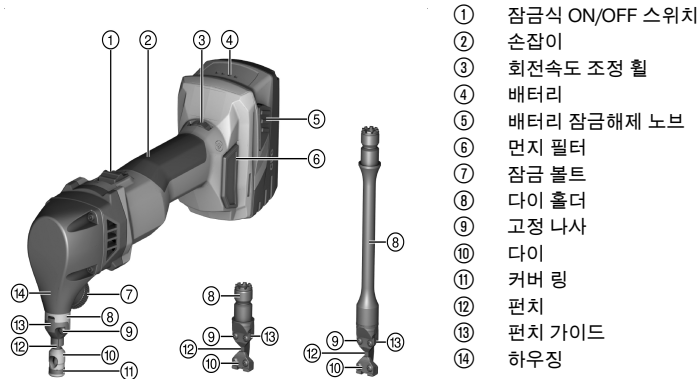
- ▶ 작업 영역을 깨끗하게 유지하십시오. 금속 칩은 날카로워서 바닥이 긁힐 수 있습니다.

전동 공구의 올바른 사용방법과 취급방법

- ▶ 기기에 오염물질이나 침이 묻어 있는지 확인하십시오. 작업 시 ON/OFF 스위치 영역에 침이 들어가지 않도록 주의하십시오. 침으로 ON/OFF 스위치가 막히면 기기의 전원을 끌 수 없게 됩니다.

3 제품 설명

3.1 제품 개요 1



- ① 잠금식 ON/OFF 스위치
- ② 손잡이
- ③ 회전속도 조정 휠
- ④ 배터리
- ⑤ 배터리 잠금해제 노브
- ⑥ 먼지 필터
- ⑦ 잠금 볼트
- ⑧ 다이 홀더
- ⑨ 고정 나사
- ⑩ 다이
- ⑪ 커버 링
- ⑫ 펀치
- ⑬ 펀치 가이드
- ⑭ 하우징

3.2 규정에 맞는 용도

기술된 제품은 휴대용 충전 니블러입니다. 강철, 알루미늄, 비철금속 및 플라스틱과 같이 펀칭 가능한 소재의 평면 가공물 절단, 레이아웃 절단을 비롯해 직선 또는 곡선 외곽선 및 내곽선의 니블링 가공에 사용됩니다. 니블링 가공은 비틀림 없는 절단면을 생성합니다. 사용하는 기기 비트에 따라 추가적인 작업이 가능합니다.

SPN-CN: 본 기기 비트는 추가적으로 파이프 절단, 골함석 가공 및 템플릿 절단 등에 사용됩니다. 중공 원형 펀치로 작업 위치에서 니블러를 회전시킬 수 있고, 원하는 방향으로 작업을 계속 이어나갈 수 있습니다.

선택사항: SPN-RN 및 SPN-RL: 본 기기 비트는 사다리꼴 시트, 골함석, 카세트 및 앵글 프로파일 스트립과 같은 프로파일 시트 절단에 사용됩니다.

- ▶ 본 제품에는 모델시리즈 B 22의 Hilti 리튬 이온 배터리만 사용하십시오.
- ▶ 이 배터리에는 Hilti 충전기 C4/36 시리즈만 사용하십시오.

3.3 공급품목

니블러, 톱스 렌치, 사용 설명서

안전한 사용을 위해서 순정 예비 부품 및 소모품만을 사용하십시오. 해당 제품에 허용되는 예비 부품, 소모품 및 액세서리는 Hilti Store 또는 www.hilti.group에서 확인할 수 있습니다.

제품 공급 전에 기능 테스트가 실시되었습니다. 이로 인해 하우징 표면에 가공물에 의한 최소한의 스크래치가 생겼을 수 있습니다.



3.4 온도에 따라 작동되는 기기보호장치

온도에 따라 작동되는 모터보호장치는 전력소비 및 모터 가열을 감시하고 기기 과열을 방지합니다. 과도한 압착력에 의한 모터 과부하 시 기기의 성능이 눈에 띄게 약화되거나 기기가 정지할 수 있습니다. 과부하로 인해 정지 상태 혹은 속도 감소가 발생할 경우, 부하를 제거하고 기기를 약 30초 동안 공회전속도로 작동시키십시오.

3.5 리튬 이온 배터리의 충전 상태 디스플레이

리튬 이온 배터리의 충전 상태는 배터리 잠금해제 버튼 둘 중 하나를 누르면 표시됩니다.

상태	의미
4개 LED 점등됨.	충전 상태: 75 % ~ 100 %
3개 LED 점등됨.	충전 상태: 50 % ~ 75 %
2개 LED 점등됨.	충전 상태: 25 % ~ 50 %
1개 LED 점등됨.	충전 상태: 10 % ~ 25 %
1개 LED 깜박임.	충전 상태: < 10 %

i 작업을 하는 동안 그리고 작업을 끝낸 바로 직후에는 충전상태를 확인하는 것이 불가능합니다. 배터리 충전상태 표시 LED가 점멸할 경우, "고장 시 대책" 장의 지침에 유의하십시오.

4 기술자료

니블러는 기본적으로 기기 비트 SPN-CN과 함께 제공됩니다. SPN-RN 및 SPN-RL은 선택 사양 액세서리로 구입할 수 있습니다.

	SPN-CN	SPN-RN	SPN-RL
정격 전압	21.6V	21.6V	21.6V
EPTA Procedure 01에 따른 무게(배터리 B228.0 포함)	3.1kg	3.0kg	3.3kg
공회전 시 스트로크 수	620/min ... 1,370/min	620/min ... 1,370/min	620/min ... 1,370/min
시작 구멍 직경	17mm	24mm	24mm
곡선 절단 시 최소 반경	4.0mm	•/•	•/•
반경	•/•	50mm	50mm
절단선 폭	8.0mm	5.0mm	5.0mm
허용되는 자재 두께, 강철, 최대 400 N/mm ²	2.0mm / 14 ga	2.0mm / 14 ga	2.0mm / 14 ga
허용되는 자재 두께, 강철, 최대 600 N/mm ²	1.5mm / 16 ga	1.5mm / 16 ga	1.5mm / 16 ga
허용되는 자재 두께, 강철, 최대 800 N/mm ²	1.0mm / 20 ga	1.0mm / 20 ga	1.0mm / 20 ga
허용되는 자재 두께, 알루미늄, 최대 250 N/mm ²	2.5 mm / 10 Ga	3.0 mm / 9 Ga	3.0 mm / 9 Ga

4.1 배터리

배터리 모드 전압	21.6V
작동 시 주변 온도	-17 °C ... 60 °C
보관 온도	-20 °C ... 40 °C
충전 시작 시 배터리 온도	-10 °C ... 45 °C

4.2 EN 62841에 따른 소음 정보 및 진동값

이 지침에 제시된 음압 및 진동수준은 표준화된 측정방법에 따라 측정된 것이며, 전동 공구를 서로 비교하기 위한 용도로 사용할 수 있습니다. 음압 및 진동 수준은 노출 정도를 사전에 예측하는 데에도 유용하게 사용할 수 있도록 설계되어 있습니다.

제시된 데이터는 전동 공구의 주된 용도를 나타냅니다. 그러나 전동 공구를 다른 용도로 사용하거나 다른 공구 비트를 사용할 경우 또는 유지보수를 충분히 하지 않은 상태에서는 데이터에 편차가 있을 수 있습니다. 이러한 경우 전 작업시간에 걸쳐 노출이 현저하게 증가할 수 있습니다.



노출을 정확하게 평가하기 위해서는 기기 작동이 멈춰 있거나 또는 작동 중이지만 실제로는 사용하지 않는 시간도 고려해야 합니다. 이러한 경우 전 작업시간에 걸쳐 노출이 현저하게 감소할 수 있습니다.

사용자를 보호하기 위해 음파 그리고/또는 진동이 작용하기 전에 다음과 같은 추가적인 안전 조치를 취하십시오. 전동 공구와 공구 비트의 유지보수, 손을 따뜻하게 유지, 작업순서 정하기 등.

소음정보

평균 A-가중 음압 수준 (L_{pA})	91dB(A)
음압 수준 허용공차 (K_{pA})	3dB(A)
평균 A-가중 소음 수준 (L_{WA})	102dB(A)
소음 수준 허용공차 (K_{WA})	3dB(A)

진동 정보

	SPN-CN	SPN-RN	SPN-RL
3축 진동값 (a_h)	6.7m/s ²	7.4m/s ²	6.2m/s ²
허용공차 (K)	1.5m/s ²	1.5m/s ²	1.5m/s ²

5 작업 준비

⚠ 주의

돌발적인 작동으로 인한 부상 위험!

- ▶ 배터리를 끼우기 전에 해당 제품의 전원이 꺼져 있는지 확인하십시오.
- ▶ 기기 설정 또는 액세서리를 교체하기 전에 배터리를 제거하십시오.

본 문서 및 제품에 나와 있는 안전 지침 및 경고 지침에 유의하십시오.

5.1 배터리 충전

1. 충전하기 전에 충전기의 사용 설명서를 읽으십시오.
2. 배터리 및 충전기의 접점이 청결하고 건조한 상태인지 확인하십시오.
3. 허용되는 충전기에서 배터리를 충전하십시오.

5.2 배터리 삽입

⚠ 주의

단락 또는 배터리 낙하로 인한 부상 위험!

- ▶ 배터리를 끼우기 전에 배터리의 접점 및 제품의 접점에 이물질이 남아 있지 않은지 확인하십시오.
- ▶ 배터리가 제대로 고정되었는지 확인하십시오.

1. 처음으로 사용하기 전, 배터리를 완전히 충전하십시오.
2. 잠기는 소리가 들릴 때까지 배터리를 기기 홀더 안에 끼우십시오.
3. 배터리가 정확하게 설치되어 있는지 점검하십시오.

5.3 배터리 제거

1. 배터리의 잠금 해제 버튼을 누르십시오.
2. 배터리를 기기에서 빼내십시오.

5.4 공구

모재에 적합한 기기 비트는 그림을 참조하십시오.

모재 설명:

- A: 일반 시트
- B: 골함석
- C: 사다리꼴 시트(프로파일 깊이 최대 85 mm)
- D: 사다리꼴 시트(프로파일 깊이 최대 162 mm)

공구 SPN-RN 및 SPN-RL로 두께 1 mm 이하의 금속판에서 버가 발생하지 않도록 절단하기 위해서 다이 P1을 사용할 수 있습니다. 절단 틈새를 작게 유지할수록 버 발생이 줄어듭니다.



5.5 공구 탈거

1. 잠금 볼트를 시계 반대 방향으로 6회 돌려서 푸십시오.
2. 공구를 하우징에서 빼내십시오.

5.6 공구 장착

1. 펀치 가이드에 그리스를 바르십시오.
2. 펀치를 램의 홈 안에 거십시오.
3. 절단 방향을 앞쪽으로 조절하십시오.
4. 공구를 절단 방향이 앞쪽을 향하도록 하여 하우징 안에 끼우십시오.
5. 이어서 공구를 원하는 절단 방향으로 설치하십시오.
6. 잠금 볼트를 시계 방향으로 끼워 넣고 손으로 조이십시오.
 - ▶ 하우징과 다이 홀더 사이에는 틈이 없어야 합니다.

5.7 절단 방향 설정

필요한 경우 절단 방향을 왼쪽 또는 오른쪽 45° 위치로 돌릴 수 있습니다.
이를 통해 프로파일 시트를 보다 간단하게 가공하고 니블러를 왼손 또는 오른손 조작에 맞게 조절할 수 있습니다.

1. 잠긴 상태가 느껴지지 않을 때까지 잠금 볼트를 약 3회 시계 반대 방향으로 돌리십시오.
2. 공구를 하우징 밖으로 약간 빼내어 원하는 방향으로 돌리십시오.
 - ▶ 8개의 잠금 위치가 있습니다.
3. 공구를 하우징 내 원하는 잠금 위치로 다시 밀어 넣으십시오.
4. 잠금 볼트를 시계 방향으로 끼워 넣고 손으로 조이십시오.
 - ▶ 하우징과 다이 홀더 사이에는 틈이 없어야 합니다.

5.8 스트로크 설정

- ▶ 회전속도 조정 휠을 이용해 스트로크 수를 설정하십시오.

6 조작

본 문서 및 제품에 나와 있는 안전 지침 및 경고 지침에 유의하십시오.

6.1 전원 켜기

1. ON/OFF 스위치 뒷 부분을 누르십시오.
2. ON/OFF 스위치를 앞쪽으로 미십시오.
 - ▶ 모터가 작동합니다.
3. ON/OFF 스위치를 잠그십시오.

6.2 절단

경고

주의 무더진 공구로 인한 니블러 과부하

- ▶ 펀치의 절단날이 마모되었는지 여부를 정기적으로 점검하십시오. 니블러를 보호하기 위해 적시에 펀치를 교체하십시오.

1. 펀치의 내구성을 높이고 절단 결과를 향상시키기 위해 절단선에 윤활유를 바르십시오.
2. 제품의 전원을 켜십시오. → 페이지 214
3. 완전한 회전속도에 도달하면 니블러를 가공물로 가져가십시오.
 - ▶ 내곽선의 경우, 사용하는 공구에 적합한 시작 구멍부터 만드십시오.
4. 원하는 절단선을 가공하십시오.
5. 절단 작업이 끝나면 제품의 전원을 끄십시오. 절단선이 가공물 안쪽에서 끝나더라도 기기의 전원을 끄기 전, 커진 상태에서 절단선 안쪽으로 몇 밀리미터만큼 다시 당기십시오.



니블러가 완전히 정지한 상태가 아니라면 니블러를 칩 안에 놓지 마십시오. 칩이 모터에 빨려 들어갈 수 있습니다.



6.3 템플릿을 사용하는 절단 가공

옵션: SPN-CN

템플릿 절단 시 다음의 주의사항이 있습니다.

- 템플릿의 두께는 5 ~ 7 mm가 되어야 합니다.
- 템플릿의 윤곽선은 절단 윤곽선에서 2.5 mm의 간격을 유지해야 합니다.
- 최소 반경 4 mm에 유의하십시오. 이에 해당되는 템플릿의 최소 반경은 6.5 mm입니다.
- 니블러는 편치 가이드의 외곽선이 항상 템플릿에 접한 상태에서 이동해야 합니다.

6.4 전원 끄기

- ▶ ON/OFF 스위치 뒷 부분을 누르십시오.
 - ▶ ON/OFF 스위치가 자동으로 OFF 위치로 바뀌고 모터가 정지합니다.

7 액세서리 선택사항

7.1 칩 필터 장착

옵션: SPN-CN

금속 칩이 잘못 배출되지 않도록 칩을 수거할 수 있는 칩 필터를 장착할 수 있습니다.

1. 칩 필터 안의 스프링 양쪽 끝을 누르십시오.
2. 스프링을 다이의 하단 돌레에 놓고 스프링 끝부분에서 손을 떼십시오.
3. 스프링과 칩 필터가 올바른 위치에 단단하게 고정되었는지 확인하십시오.

8 관리 및 유지보수

경고

배터리가 끼워진 상태에서 부상 위험 !

- ▶ 관리 및 수리 작업을 진행하기 전에 항상 배터리를 제거하십시오!

기기 관리

- 공구에 부착된 오염물질을 조심스럽게 제거하십시오.
- 먼지 필터를 제거하여 세척하고 환기 슬롯을 조심스럽게 마른 솔로 닦아내십시오.
- 하우징은 약간 물을 적신 천으로만 닦으십시오. 플라스틱 부품을 손상시킬 수 있으므로 절대로 실리콘이 함유된 보호제를 사용하지 마십시오.

리튬 이온 배터리 관리

- 배터리를 오일 및 그리스가 묻지 않도록 깨끗하게 유지하십시오.
- 하우징은 약간 물을 적신 천으로만 닦으십시오. 플라스틱 부품을 손상시킬 수 있으므로 절대로 실리콘이 함유된 보호제를 사용하지 마십시오.
- 습기가 스며들지 않도록 주의하십시오.

유지보수

- 눈에 보이는 모든 부품은 정기적으로 손상 여부를 점검하고 조작 요소가 아무 문제없이 작동하는지 점검하십시오.
- 손상되었거나 기능 장애가 있는 경우에는 제품을 작동하지 마십시오. 바로 Hilti 서비스 센터에서 수리받으십시오.
- 관리 및 수리 작업 후 모든 보호장치를 가져와 기능을 점검하십시오.



안전한 사용을 위해서 순정 예비 부품 및 소모품만을 사용하십시오. 해당 제품에 허용되는 예비 부품, 소모품 및 액세서리는 **Hilti Store** 또는 **www.hilti.group**에서 확인할 수 있습니다.

8.1 편치 교체



편치를 교체할 때마다 다이, 편치 가이드 및 마모판(SPН-DN 제외)의 마모 상태도 점검하고, 필요에 따라 교체하십시오.

1. 공구를 탈거하십시오. → 페이지 214



2253588

한국어 215

2. 마모된 펀치를 공구에서 제거하십시오.
3. 공구 안의 새로운 펀치와 펀치 가이드에 그리스를 바르십시오.
4. 다음과 같은 사양이 있으면, 추가적으로 본 처리 작업을 진행하십시오.

윤선: SPN-RL

- ▶ 태핏과 펀치 사이에 있는 태핏 연장장치를 장착하고 그리스를 바르십시오.

5. 공구를 장착하십시오. → 페이지 214

8.2 다이 교체 9

윤선: SPN-CN

1. 커버 링을 홈 위로 밀어 올리십시오.
2. 적합한 드리프트로 실린더 핀을 눌러서 꺼내십시오.
3. 다이를 리프트 핀에서 빼내십시오.
4. 새 다이를 리프트 핀에 올리십시오.
5. 실린더 핀을 다시 장착하십시오.
6. 커버 링을 홈 아래로 밀어 넣고 올바른 위치를 확인하십시오.

8.3 펀치 가이드 교체 10

윤선: SPN-CN

⚠ 주의

손상 위험 제품 및 절단 기기 주의!

- ▶ 고정 나사를 장착하기 전에 나사산을 청소하십시오.
- ▶ 반드시 함께 제공된 새 고정 나사를 사용하고 정해진 조임 토크에 유의하십시오.

1. 다이를 분리하십시오. → 페이지 216
2. 고정 나사를 분리하십시오.
3. 펀치 가이드를 제거하십시오.
4. 새 펀치 가이드를 장착하십시오.
5. 정해진 토크로 고정 나사를 장착하십시오.

기술자료

조임 토크

3Nm

6. 다이를 다시 장착하십시오.

8.4 다이, 펀치 가이드 및 마모판 교체 11, 12

윤선: SPN-RN

또는 SPN-RL

⚠ 주의

손상 위험 제품 및 절단 기기 주의!

- ▶ 고정 나사를 장착하기 전에 나사산을 청소하십시오.
- ▶ 반드시 함께 제공된 새 고정 나사를 사용하고 정해진 조임 토크에 유의하십시오.

1. 고정 나사를 분리하십시오.
2. 펀치 가이드와 다이를 빼내십시오.
3. 마모판의 마모 흔적을 점검하십시오.

결과

마모 흔적이 뚜렷하게 보일 경우:

- ▶ 마모판을 빼내고 새것으로 교체하십시오.

4. 다이 지지대의 지지면을 청소하십시오.
5. 핀을 사용해 펀치 가이드와 다이의 중심 위치를 조절하십시오.
6. 고정 나사를 손으로 조여 장착하십시오.
7. 펀치 가이드의 가이드 표면에 그리스를 바르십시오.



8. 고정 나사를 정해진 토크만큼 사선으로 조이십시오.

기술자료	
조임 토크	3Nm

9 배터리 기기 운반 및 보관

운반



주의

운반 시 돌발적으로 작동됨!

- ▶ 제품은 항상 배터리를 장착하지 않은 상태로 운반하십시오!
- ▶ 배터리를 분리하십시오.
- ▶ 배터리를 포장하지 않은 채로 운반해서는 절대 안 됩니다.
- ▶ 기기 및 배터리를 장시간 운반한 후에는 사용하기 전에 손상 여부를 점검하십시오.

보관



주의

배터리 결함 또는 방전으로 인한 돌발적인 손상!

- ▶ 제품은 항상 배터리를 장착하지 않은 상태로 보관하십시오!
- ▶ 기기 및 배터리는 최대로 시원하고 건조한 곳에서 보관하십시오.
- ▶ 배터리는 절대 직사광선이 들어오는 곳, 히터 위 또는 유리 뒤쪽에 보관하지 마십시오.
- ▶ 기기와 배터리는 어린이 및 허용되지 않는 사람의 손에 닿지 않도록 하십시오.
- ▶ 기기 및 배터리를 장시간 보관한 후에는 사용하기 전에 손상 여부를 점검하십시오.

10 문제 발생 시 도움말

본 도표에 제시되어 있지 않거나 스스로 해결할 수 없는 문제가 발생한 경우 Hilti 서비스 센터에 문의해 주십시오.

10.1 고장진단

장애	예상되는 원인	해결책
배터리가 평소보다 더 빨리 방전됨.	주변 온도가 너무 낮음.	▶ 실온에서 배터리를 서서히 따뜻하게 하십시오.
배터리를 밀어 넣을 때 철컹하는 소리가 들리지 않음.	배터리 래치 오염됨.	▶ 배터리 래치를 청소하고 배터리를 다시 끼우십시오.
1개 LED 깜박임. 기기가 작동하지 않음.	배터리가 방전되었음.	▶ 배터리를 교체하고 방전된 배터리를 충전하십시오.
	배터리 과열 또는 과냉.	▶ 실온에서 배터리를 서서히 따뜻하게 하거나 또는 냉각시키십시오.
4개 LED 모두 깜박임. 기기가 작동하지 않음.	기기가 과부하되었음.	▶ 컨트롤 스위치에서 손을 떼고 스위치를 다시 조작하십시오. 그리고 나서 기기를 공회전 속도에서 약 30 초간 작동시키십시오.
기기 또는 배터리에서 과도한 열 발생.	전기적 결함	▶ 즉시 기기를 끄고, 배터리를 분리하여 관찰한 후 냉각시키십시오. Hilti 서비스센터에 문의하십시오.
기기가 전출력으로 작동되지 않음.	사용한 배터리의 용량이 부족함.	▶ 충분한 용량을 갖춘 배터리를 사용하십시오.
감소된 절단 성능	편치가 마모됨	▶ 편치를 교체하십시오. → 페이지 215
모터의 제동 기능 없음.	배터리가 방전되었음.	▶ 배터리를 교체하고 방전된 배터리를 충전하십시오.
	공구가 잠시 과부하됨.	▶ 기기를 꺾다가 다시 켜십시오.



11 폐기

Hilti 기기는 대부분 재활용이 가능한 소재로 제작되었습니다. 재활용을 위해 개별 부품을 분리하여 주십시오. Hilti는 대부분의 국가에서 재활용을 위해 노후기기를 수거해 갑니다. Hilti 고객 서비스 센터 또는 판매 상담자에게 문의하십시오.

배터리 폐기

배터리를 부적절하게 폐기함으로 인해 가스 또는 용액이 새어나와 건강상의 피해를 입을 수 있습니다.

- ▶ 손상된 배터리는 전달하지 마십시오!
- ▶ 비전도성 소재로 연결 단자를 막아 두어 단락이 발생하지 않게 하십시오.
- ▶ 배터리가 어린이의 손에 닿지 않도록 폐기하십시오.
- ▶ Hilti Store에서 배터리를 폐기하거나 또는 담당 폐기물 처리 업체에 문의하십시오.



- ▶ 전동 공구, 전자식 기기 및 배터리를 일반 가정 쓰레기로 폐기하지 마십시오!

12 RoHS (유해물질 사용 제한 지침)

아래 링크에서 유해물질에 관한 도표를 확인할 수 있습니다. qr.hilti.com/r10695220.
RoHS 도표로 이어지는 링크는 본 문서 끝에 QR 코드 형식으로 제시되어 있습니다.

13 제조회사 보증

- ▶ 보증 조건에 관한 질문사항은 Hilti 파트너 지사에 문의하십시오.

原始操作說明

1 文件相關資訊

1.1 關於此文件

- 初次操作或使用前，請先詳讀此文件。本文件包含安全前提、疑難排解處理和產品使用。
- 請遵守本文件中與產品上的安全說明和警告。
- 操作說明應與產品一起保管，產品交予他人時必須連同操作說明一起轉交。

1.2 已使用的符號說明

1.2.1 警告

警告使用本產品的人員可能發生之危險。採用了以下標示文字：

危險

危險！

- ▶ 此標語警告會發生對人造成嚴重傷害甚至致死的危險情形。

警告

警告！

- ▶ 此標語警告會造成嚴重傷害甚至致死危險的潛在威脅。

注意

注意！

- ▶ 請小心會造成人員受傷或對設備及其他財產造成損害的潛在危險情況。

1.2.2 文件中的符號

本文件中採用以下符號：



使用前請閱讀操作說明。



	使用說明與其他資訊
	處理可回收的材料
	不可將電子設備與電池當作家庭廢棄物處置

1.2.3 圖解中的符號

圖解中採用了以下符號：

	號碼對應操作說明的開始處的圖解
3	編號代表圖解中的操作步驟順序，可能與內文中的步驟有所不同
	項目參考編號用於總覽圖解，並請參閱產品總覽章節中使用的編號
	本符號是為了讓您在操作本產品時可以注意某些重點。

1.3 產品專屬符號

1.3.1 產品上的符號

產品上會採用下列符號：

	機具支援近距離無線通訊 (NFC) 技術，其相容於iOS及Android平台。
	使用Hilti鋰電池類型系列。請遵守用途一節所提供之資訊。
	請勿將電池作為敲擊工具使用。
	避免電池掉落。不得使用遭受衝擊或其他原因遭成損壞的電池。
Li-Ion	鋰電池
	直流電 (DC)
	穿戴護目鏡

1.4 產品資訊

HILTI 產品是針對專業使用者設計，故僅經訓練、認可的人員可操作、維修與維護本產品。必須告知上述人員關於可能遭遇到的特殊危險。若因未經訓練人員操作錯誤或未依照其原本的用途操作，則本產品和它的輔助工具設備有可能會發生危險。

類型名稱和序號都標示於額定銘牌上。

- 在下方表格中填入序號。與Hilti維修中心或當地Hilti機關聯絡查詢產品相關事宜時，我們需要您提供產品詳細資訊。

產品資訊

衝剪	SPN 6-A22
產品代別：	01
機具序號：	

1.5 符合聲明

基於我們唯一的責任，本公司在此聲明本產品符合適用的指示或標準。本文件結尾處有符合聲明之副本。技術文件已歸檔：

Hilti Entwicklungsgesellschaft mbH | Tool Certification | Hiltistrasse 6 | 86916 Kaufering, Germany



2.1 一般電動機具安全警告

⚠ 警告 請詳閱本電動機具提供的所有安全警告、指示、圖解和說明。未能遵守以下所有指示可能會造成電擊事故、火災和 / 或嚴重的傷害。

妥善保存所有警示及說明，以供將來參考。

注意事項中的「機具」係指使用電源（有線）或電池（無線）的電動機具。

工作區域安全

- ▶ 請保持工作區的清潔與採光充足。雜亂而昏暗的工作區會導致意外發生。
- ▶ 勿在容易發生爆炸的環境中使用機具，例如有可燃性液體、瓦斯或粉塵存在的環境。機具產生的火花可能會引燃塵埃或煙霧。
- ▶ 操作機具時，請與兒童及旁人保持距離。注意力不集中時容易發生失控的情形。

電力安全

- ▶ 機具插頭與插座須能互相搭配。勿以任何方式改裝插頭。勿將任何變壓器插頭和與地面接觸（接地）的電動機具搭配使用。未經改裝的插頭以及能互相搭配的插座可減少發生電擊的危險。
- ▶ 避免讓身體碰觸到如管線、散熱器、爐灶與冰箱等與土地或地表接觸之物品。如果您的身體接觸到地表或地面，將增加電擊的危險。
- ▶ 請勿將機具曝露在下雨或潮濕的環境中。若水氣進入機具中將增加觸電的危險。
- ▶ 勿濫用電纜線。勿以電纜線吊掛、拖拉機具或拔下機具插頭。電纜線應避開熱氣、油、銳利的邊緣或移動性零件。電纜線損壞或纏繞會增加發生電擊事故的危險。
- ▶ 於室外操作機具時，須使用適用於戶外的延長線。使用適合戶外使用的延長線可降低觸電的風險。
- ▶ 如果無法避免在潮濕的地點操作機具，請使用漏電斷路器（RCD）保護電源供應器。使用漏電斷路器（RCD）可降低電擊的風險。

人員安全

- ▶ 操作機具時，請提高警覺，注意進行中的工作並善用常識。感到疲勞或受到藥物、酒精或治療的影響時勿使用機具。操作機具時稍不留神就可能造成嚴重的人員傷亡。
- ▶ 穿戴個人防護裝備。請隨時穿戴眼罩。適當使用防護面罩、防滑鞋、安全帽及耳罩等安全防護配備可減少人員的傷害。
- ▶ 避免不經意的啟動。在接上電源或電池組、抬起或攜帶機具之前，務必確認開關處於關閉的位置。攜帶機具時，如果把手指放在開關上，或在開關開啟時，將機具插上插頭容易發生意外。
- ▶ 啟動機具前，應將所有調整鑰匙或扳手移開。將扳手或鑰匙留在機具的旋轉零件中可能會造成人員傷害。
- ▶ 勿將手伸出過遠。隨時站穩並維持平衡。這可讓您在意外情況發生時，對機具有較好的控制。
- ▶ 穿著適當服裝。請勿穿著寬鬆的衣服或佩戴珠寶。頭髮、衣服與手套應遠離移動性零件。移動性零件可能會夾到寬鬆的衣服、珠寶或長髮。
- ▶ 如果機具可連接吸塵裝置與集塵設備，請連接並適當使用這些設備。使用集塵裝置可降低與粉塵有關的危險。
- ▶ 請勿因頻繁而習慣使用機具便疏於遵守或忽略機具的安全規範。草率使用可能在轉眼間便造成嚴重的傷害。

機具使用與保養

- ▶ 不可強制使用機具。依據用途使用正確的機具。根據設計的速率使用機具可更快速安全地完成工作。
- ▶ 若開關無法啟動或關閉電動工具時，請勿使用電動工具。任何無法以開關控制的機具都很危險且需要維修。
- ▶ 在進行任何調整、更換配件、或貯放電動機具前，請先將插頭拔離插座和 / 或將電池組自電動機具卸下（如可拆卸）。此預防安全措施可降低機具意外啟動的風險。
- ▶ 將閒置的機具貯放在兒童拿不到的地方，勿讓不熟悉或未詳閱本說明的人員操作本機具。機具在未經訓練的使用者手中是很危險的。
- ▶ 維護機具與配件。請檢查移動性零件有無偏移或黏合的情形、零件有無破損，以及任何會影響機具運轉的狀況。如果機具受損，請先維修後再使用。很多意外便是由維護不當的機具造成的。
- ▶ 保持切割機具的銳利與清潔。具銳利切割邊緣的切割機具如果得到適當的維護，便較不會發生黏合的現象，且較容易控制。
- ▶ 遵守本指示說明使用機具、配件和工具組等，並考量工作條件與待進行的工作。將機具用在原目的之外用途可能會造成危險。
- ▶ 保持握把與其表面的乾燥、清潔且不要讓上面出現油漬。握把及其表面濕滑會在意外情況中造成機具無法安全掌控。

電池機具的使用與保養

- ▶ 務必使用原廠指定的充電器進行充電。將適合特定類型電池的充電器使用在其他電池時，會有造成火災的危險。



- ▶ 務必使用機具特別指定的電池匣。使用其他的電池匣可能會造成受傷或火災。
- ▶ 電池匣未使用時，請將其遠離如迴紋針、錢幣、鑰匙、針、固定釘或其他會在電池兩極間形成連結的小型金屬物件。在電池兩極間建立短路可能會造成灼傷或火災。
- ▶ 若使用不當，可能有液體由電池流出；請避免接觸該液體。若不慎接觸，請以清水沖洗。如果不小心讓液體接觸到眼睛，請立即尋求醫療援助。從電池中滲出的液體，可能會導致過敏或灼傷。
- ▶ 請勿使用損壞或改裝過的電池組或機具。受損或改裝過的電池可能會無法正常運作而造成起火、爆炸或受傷的風險。
- ▶ 請勿將電池組或機具暴露在火源或極端的溫度環境中。暴露在火源或溫度超過130° C (265 °F) 的環境下可能會造成爆炸。
- ▶ 請遵守充電操作說明且不要在說明所載的溫度範圍之外為電池組或機具充電。不當充電或在指定溫度範圍外充電均可能造成電池損壞並提高起火的風險。

維修服務

- ▶ 請將機具交給合格的維修人員進行維修，並使用相同的替代零件。這可確保維護機具安全。
- ▶ 請勿自行維修損壞的電池。損壞的電池僅可由製造商或授權的維修商進行維修。

2.2 電池的使用與保養

- ▶ 遵守適用於鋰電池之運送、存放與使用的特別指南。
- ▶ 請勿讓電池暴露在高溫下，讓陽光直接照射或接觸火焰。
- ▶ 請勿拆解、擠壓或焚燒電池，且不可將電池置放在溫度超過80°C的環境中。
- ▶ 請勿使用或充電受到機械性衝擊、從高處摔落或有損壞跡象之電池。在此情況下，務必聯絡Hilti維修中心。
- ▶ 若電池溫度過高無法觸摸，表示電池可能已經毀損。將電池放在清楚可見且沒有火災危險、遠離易燃材料的位置。讓電池冷卻。若一小時後電池溫度仍然過高無法觸摸，表示電池可能已經毀損。請聯絡Hilti維修中心。

2.3 其他安全指示

人員安全

- ▶ 使用本產品工作時請穿戴防護手套。配件工具在使用時會變熱並有燙傷的風險。切割邊緣及金屬切屑的邊緣非常銳利，故有割傷的風險。
- ▶ 請利用工作空檔時休息，並放鬆與活動您的手指以促進血液循環。
- ▶ 請配戴耳罩。暴露於噪音環境下會導致聽力受損。
- ▶ 請勿於頭上方使用本產品。

電力安全

- ▶ 經常使用於導電材質的機具若是骯髒或有堆積粉塵，應定期交由Hilti維修中心檢查。粉塵（特別是導電材料所產生的粉塵）或機具表面的濕氣可能會造成電擊事故。
- ▶ 請定期清理電動機具的通風孔槽。馬達風扇會將粉塵吸入機殼中，而累積過量金屬粉塵會造成電力危險。
- ▶ 開始工作前，請先檢查工作區域（例如使用金屬探測器）以確保工作場所是否有隱藏的電纜線、瓦斯管或水管。機具的外部金屬零件可能會通電，例如當電源線路意外受損時。
- ▶ 請勿嘗試切割可能已通電的工件。

工作區域安全

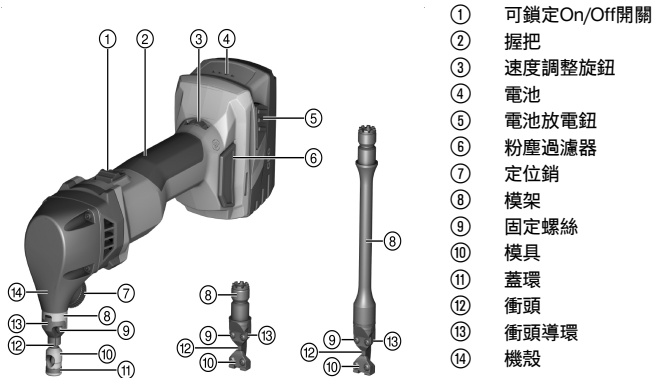
- ▶ 請保持工作場所乾淨整齊。金屬切屑非常銳利並會刮傷地面。

小心處理與使用電子機具

- ▶ 請確保產品上無切屑或髒污。作業時，請確認不要讓切屑進入On/Off開關區。切屑會造成On/Off卡住，讓產品無法關閉。



3.1 產品總覽



- ① 可鎖定On/Off開關
- ② 握把
- ③ 速度調整旋鈕
- ④ 電池
- ⑤ 電池放電鈕
- ⑥ 粉塵過濾器
- ⑦ 定位銷
- ⑧ 模架
- ⑨ 固定螺絲
- ⑩ 模具
- ⑪ 蓋環
- ⑫ 衝頭
- ⑬ 衝頭導環
- ⑭ 機殼

3.2 用途

本文所述產品手持充電式衝剪。本機具專為切割如鋼材、鋁材、無鐵金屬及塑膠等可衝孔材料製成的片狀工件，用於嚙切出直線或彎曲的邊緣、切割開口或依標示的切割線嚙切。嚙切過程可產生無變形的切割邊緣。依使用的配件工具不同，也可用於其他應用中。

SPN-CN：本配件工具亦設計可用於切割管線、波紋金屬及使用模板進行嚙切。空心圓形衝頭可讓衝剪沿軸心轉動，以便對任何方向進行嚙切。

選項：SPN-RN與SPN-RL：這些配件工具也可用於切割金屬薄片型材，如梯形金屬薄片、波紋金屬薄片、箱形金屬薄片及有角度的模線等。

- ▶ 本產品限使用B 22系列Hilti鋰電池。
- ▶ 以上電池限使用C4/36系列Hilti電池充電器。

3.3 配備及數量

衝剪、星型扳手、操作說明

為確保操作的安全及可靠性，請務必使用原廠Hilti備件與耗材。您可以在Hilti Store或網站：www.hilti.group選購Hilti認可的備件、耗材和配件。



產品出貨前均已經測試並確認運作正常。測試時使用的工件可能會在機殼表面留下小小的刮痕。

3.4 馬達過熱保護

變溫馬達保護系統可監控電流輸入及馬達溫度，以避免機具過熱。

如果馬達壓力過載，機具效能便會明顯下降或完全停住。

如果機具空轉或是因過載造成轉速大幅降低，請鬆開所施加的壓力，讓它在無負載下運轉約30秒。

3.5 鋰電池充電狀態顯示

按下兩個電池拆卸鈕的其中一個後，將會顯示鋰電池的充電狀態。

狀態	意義
4個LED亮起。	充電狀態：75 %至100 %
3個LED亮起。	充電狀態：50 %至75 %
2個LED亮起。	充電狀態：25 %至50 %
1個LED亮起。	充電狀態：10 %至25 %
1個LED閃爍。	充電狀態：< 10 %





當機具正在操作或剛操作後無法讀取其電池充電狀態。若電池充電狀態LED燈閃爍，請參閱故障排除一節所提供的資訊。

4 技術資料

衝剪標準配備有SPN-CN配件工具。SPN-RN與SPN-RL配件工具為選配配件。

	SPN-CN	SPN-RN	SPN-RL
額定電壓	21.6 V	21.6 V	21.6 V
重量 (依據EPTA Procedure 01) , 含B228.0電池	3.1 kg	3.0 kg	3.3 kg
怠速時的衝程率	620 rpm ... 1,370 rpm	620 rpm ... 1,370 rpm	620 rpm ... 1,370 rpm
開孔直徑	17 mm	24 mm	24 mm
彎曲切口的最小半徑	4.0 mm	•/•	•/•
半徑	•/•	50 mm	50 mm
切割軌跡寬度	8.0 mm	5.0 mm	5.0 mm
容許的鋼材厚度, 鋼材最高400 N/mm ²	2.0 mm / 14 ga	2.0 mm / 14 ga	2.0 mm / 14 ga
容許的鋼材厚度, 鋼材最高600 N/mm ²	1.5 mm / 16 ga	1.5 mm / 16 ga	1.5 mm / 16 ga
容許的鋼材厚度, 鋼材最高800 N/mm ²	1.0 mm / 20 ga	1.0 mm / 20 ga	1.0 mm / 20 ga
容許的材料厚度, 鋁材最高250 N/mm ²	2.5 mm / 10 ga	3.0 mm / 9 ga	3.0 mm / 9 ga

4.1 電池

電池操作電壓	21.6 V
操作時的環境溫度	-17 °C ... 60 °C
貯放溫度	-20 °C ... 40 °C
電池充電啟動溫度	-10 °C ... 45 °C

4.2 噪音資訊和震動值 (依據EN 62841)

操作說明中所提供之音壓和震動值已參照標準測量，並可用來比較不同機具之噪音。它們也可作為噪音量的初步評估。

提供之資料表示機具主要應用時之數值。若機具應用於不同之用途，搭配不同的配件工具或在保養不良的情況下，其數據會有所不同。在作業過程中，這會大幅提高其噪音量。

當機具關閉，或開啟但未進行任何作業時也應列入考量，才能準確評估噪音量。在作業過程中，這會大幅降低其噪音量。

確認其他安全措施，以保護操作員不受噪音和 / 或震動影響，例如：保養機具與其配件、操作前保持雙手溫暖、作業型式之安排等。

噪音資訊

典型A加權音壓級數 (L _{pA})	91 dB(A)
無法判定的音壓級數 (K _{pA})	3 dB(A)
典型A加權聲功率級數 (L _{WA})	102 dB(A)
無法判定的聲功率級數 (K _{WA})	3 dB(A)

震動資訊

	SPN-CN	SPN-RN	SPN-RL
三軸震動值 (a _n)	6.7 m/s ²	7.4 m/s ²	6.2 m/s ²
無法判定 (K)	1.5 m/s ²	1.5 m/s ²	1.5 m/s ²



5 工作場所的準備工作

注意

因意外啟動而受傷的危險！

- ▶ 置入電池前，請確認產品已關閉。
- ▶ 在調整機具或變更配件前請先將電池拆下。

請遵守本文件中與產品上的安全說明和警告。

5.1 為電池充電

1. 電池充電前，請閱讀充電器的操作手冊。
2. 確認電池的接點和充電器的接點清潔且乾燥。
3. 請使用經認可的充電器對電池充電。

5.2 置入電池

注意

有受傷的危險 因短路或電池掉落！

- ▶ 置入電池前，請確認電池的接點及產品的接點上無任何異物。
- ▶ 確認電池已確實咬合。

1. 初次使用前，請將電池完全充電。
2. 將電池裝入電池托盤，直到聽見咬合時發出的喀啦聲。
3. 請檢查電池是否安裝牢固。

5.3 卸下電池

1. 按下電池拆卸鈕。
2. 請將電池自充電器卸下。

5.4 配件工具

作業時的正確配件工具與材料組合請參閱圖解。

作業之材料的說明：

- A：扁金屬薄片
- B：波紋金屬薄片
- C：梯形金屬薄片（型材深度最大85 mm）
- D：梯形金屬薄片（型材深度最大162 mm）

若要以SPN-RN及SPN-RL配件工具在1 mm厚的金屬薄片中进行無毛邊切割，可使用P1模具。較小的切割間隙可降低切割時產生毛邊的傾向。

5.5 卸下配件工具

1. 將定位銷逆時針方向轉六圈退出。
2. 將配件工具從機殼上拆下。

5.6 安裝配件工具

1. 潤滑衝頭導環。
2. 將衝頭固定到推桿的溝槽中。
3. 以切割方向朝前的方式握住配件工具。
4. 以切割方向朝前的方式，將配件工具插到機殼中。
5. 接著將配件工具轉到想要的切割方向。
6. 將定位銷順時針方向轉動並用手鎖緊。
 - ▶ 確認機殼與模架間沒有空隙。

5.7 設定切割方向

切割方向可視需要以45°為單位向右或向左轉。

這讓片材的切割更加簡單並讓您可將衝剪設為右手或左手操作。



1. 將定位銷逆時針方向轉三圈直到鬆開。
2. 將配件工具從機殼稍稍拉出並轉到想要的方向。
 - ▶ 共有八個可用的定位方向。
3. 當配件工具在希望的定位位置後，將其推回機殼中。
4. 將定位銷順時針方向轉動並用手鎖緊。
 - ▶ 確認機殼與模架間沒有空隙。

5.8 調整衝程速率

- ▶ 轉動馬達速度調整旋鈕設定衝程率。

6 操作

請遵守本文件中與產品上的安全說明和警告。

6.1 開啟開關

1. 按下On/Off開關的後段。
2. 將On/Off開關往前推。
 - ▶ 馬達轉動。
3. 鎖住On/Off開關。

6.2 切割



警告

注意 衝剪因配件工具變鈍而過載。

- ▶ 定期檢查衝頭切割邊緣是否有磨損。請適時更換衝頭將衝剪的負載降到最低。

1. 在要切割的線段上塗一層薄油可延長衝頭的使用壽命並提升切割運作的成果。
2. 啟動機具。→ 頁次 225
3. 請等候機具達到全速再讓衝剪與工件接觸。
 - ▶ 在片材上建立切口時，請先針對要使用的配件工具切割適當大小的開孔。
4. 請沿預定的切割線進行切割。
5. 達到切割線末端時，請將產品關閉。若切割線末端在工件中，請在產品仍啟動的狀態下沿著線退回數公釐再將其關閉。



在衝剪完全停止前請勿靠在切屑中。馬達可能會吸入切屑。

6.3 使用模板進行切割

選配: SPN-CN

使用模板進行切割時的要求如下：

- 模板厚度必須為5 - 7 mm。
- 模板的型材與切割型材必須相距2.5 mm。
- 請注意最低半徑為4 mm。因此，最低模板半徑為6.5 mm。
- 導引衝剪時。請讓衝頭導引裝置的外緣與模板保持接觸。

6.4 關閉開關

- ▶ 按下On/Off開關的後段。
 - ▶ On/Off開關會跳到關閉位置且馬達會停止。



7 選配配件

7.1 安裝切屑袋

選配: SPN-CN

安裝切屑袋可接住切割操作時所產生的切屑以防止四處飛散。

1. 將切屑袋的彈簧兩端壓在一起。
2. 將彈簧勾在模具底部並鬆開彈簧末端。
3. 確認彈簧及切屑袋均有正確放好並固定。

8 維護和保養

警告

電池裝入時有受傷的危險！

- ▶ 進行維護及保養前，請務必卸下電池！

機具維護及保養

- 小心地清除可能附著在零件上的灰塵。
- 拆下粉塵過濾器並清潔，並使用乾燥的刷子小心清潔通風口。
- 僅能使用微濕軟布清潔外殼。勿使用含硅樹脂的清潔或亮光劑，因為可能會造成塑膠零件損壞。

鋰電池的保養

- 避免電池沾上油脂。
- 僅能使用微濕軟布清潔外殼。勿使用含硅樹脂的清潔或亮光劑，因為可能會造成塑膠零件損壞。
- 避免濕氣進入。

維護

- 定期檢查外部零件和控制元件有無損壞跡象，並確認它們運作正常。
- 如果有損壞跡象或任何零件功能故障，請不要操作本產品。請將產品立刻交付Hilti維修中心進行維修。
- 清潔及保養後，裝上所有防護套或保護裝置並檢查功能是否正常。



為確保操作的安全及可靠性，請務必使用原廠Hilti備件與耗材。要選購Hilti認可的備件、耗材和配件，請至Hilti Store或網站：www.hilti.group。

8.1 更換衝頭



更換衝頭時，也請檢查模具、衝頭導環及耐磨板（非SPN-CN）的磨損情況，並更換磨損的零件。

1. 卸下配件工具。→ 頁次 224
2. 將磨損的衝頭從配件工具上拆下。
3. 潤滑新的衝頭及配件工具中的衝頭導環。
4. 若有以下設備，請同時採取此行動：

選配: SPN-RL

- ▶ 將推桿延伸裝置插到推桿及衝頭之間並加以潤滑。

5. 安裝配件工具。→ 頁次 224

8.2 更換模具

選配: SPN-CN

1. 將蓋環從溝槽中往上推出。
2. 使用適合的衝頭將平行銷從孔中推出。
3. 將模具從支撐銷上鬆開。
4. 將新模具放到支撐銷上。
5. 重新安裝平行銷。
6. 將蓋環推到溝槽中並確認有正確放好。



8.3 更換衝頭導環

選配: SPN-CN

注意

損壞危險 針對產品與切割機具！

- ▶ 安裝固定螺絲前請先將螺紋清乾淨。
- ▶ 請務必使用隨附的全新固定螺絲並將螺絲鎖到指定的鎖緊扭力。

1. 拆卸模具。→ 頁次 226
2. 拆下固定螺絲。
3. 拉起衝頭導環。
4. 將新衝頭導環放至定位。
5. 安裝固定螺絲並以指定扭力鎖緊。

技術資料

鎖緊扭力	3 Nm
------	------

6. 重新安裝模具。

8.4 檢查模具、衝頭導環及耐磨板

選配: SPN-RN
或 SPN-RL

注意

損壞危險 針對產品與切割機具！

- ▶ 安裝固定螺絲前請先將螺紋清乾淨。
- ▶ 請務必使用隨附的全新固定螺絲並將螺絲鎖到指定的鎖緊扭力。

1. 拆下固定螺絲。
2. 拆下衝頭導環與模具。
3. 檢查耐磨板是否有磨損跡象。
結果
若有明顯磨損：
 - ▶ 請拆下耐磨板並安裝新的備品。
4. 清接模具支撐的接觸面。
5. 利用插銷將衝頭導環與模具置中。
6. 重新安裝固定螺絲並用手鎖緊。
7. 潤滑衝頭的導環表面。
8. 沿對角線依序將固定螺絲鎖緊到指定的扭力。

技術資料

鎖緊扭力	3 Nm
------	------

9 充電式機具的搬運與貯放

搬運

注意

搬運時意外啟動！

- ▶ 搬運產品時務必卸下電池！
- ▶ 卸下電池。
- ▶ 切勿以堆疊（分散，未受到保護）的方式運送電池。
- ▶ 長途搬運後，在使用前請檢查機具與電池是否有損壞。



設備的貯放



注意

電池故障或漏液造成的意外損害！

- ▶ 儲存產品時務必將電池卸下！
- ▶ 請儘可能將機具與電池貯放於陰涼乾燥處。
- ▶ 請勿將電池貯放於日光直射處、加熱裝置旁或窗台上。
- ▶ 請將機具與電池貯放在乾燥且兒童或未授權的人員無法觸及的地點。
- ▶ 長時間貯放後，在使用前請檢查機具與電池是否有損壞。

10 故障排除

若您遇到未列出的問題或是無法自行排除的問題，請聯絡Hilti維修中心。

10.1 故障排除

故障	可能原因	解決方法
電池較一般電池壽命短。	周遭環境溫度極低。	▶ 將電池放在室溫下緩慢升溫。
電池咬合時沒有發出喀啦聲。	電池上的卡榫太髒。	▶ 清潔卡榫並重新安裝電池。
1個LED閃爍。 機具不會運作。	電池電量不足。	▶ 更換電池，並對無電量的電池再次充電。
	該電池過熱或過冷。	▶ 將電池放在室溫下緩慢降溫或升溫。
4個LED均閃爍。 機具不會運作。	機具已過載。	▶ 鬆開控制開關，接著再按一次。然後讓機具在無負載的情況下運轉約30秒。
機具或電池變得很燙。	電力故障	▶ 立即將電動機具關閉，卸下電池，將機具置於可隨時觀察的位置，讓它靜置冷卻並聯絡Hilti維修中心。
機具無法產生全功率。	電池容量不足。	▶ 使用仍有適當容量的電池。
切割效能遞減	衝頭磨損	▶ 更換衝頭。→ 頁次 226
馬達沒有制動作用。	電池電量不足。	▶ 更換電池，並對無電量的電池再次充電。
	機具短暫過載。	▶ 關閉機具後再開啟。

11 廢棄設備處置

Hilti機具或設備所採用的材料大部分均可回收再利用。材料在回收前必須正確地分類。在許多國家中，您可以將舊機具及設備送回Hilti進行回收。詳情請洽Hilti維修中心，或當地Hilti代理商。

電池處置

不當處理電池會造成有害健康之氣體或液體。

- ▶ 請勿以郵寄方式寄送電池！
- ▶ 將電池端子蓋上不導電物質（例如絕緣膠帶）以避免短路。
- ▶ 請將電池棄置於兒童無法觸及的地方。
- ▶ 請將該電池送交Hilti Store處理，或參考所在地的垃圾處理管轄機構或公共健康與安全機關之處理說明。



- ▶ 請勿將機具、電子設備或電池當作一般家用廢棄物處理！

12 RoHS (有害物質限制指令)

按一下本連結可前往危險物質表：qr.hilti.com/r10695220。

您可在文件最後找到QR碼格式的RoHS表連結。



13 製造商保固

► 如果您對於保固條件有任何問題，請聯絡當地Hilti代理商。

Hilti Taiwan Co., Ltd.

4/F, No. 2 Jen Ai Road, Sec. 2, Taipei, 10060 Taiwan

Tel. +886 2 2357 9090

原版操作说明

1 文档信息

1.1 关于该文档

- 首次操作或使用前，请先阅读本文档。这是安全、无故障地操作和使用产品的前提条件。
- 请遵守本文档中以及产品上的安全说明和警告。
- 请务必将本操作说明与本产品保存在一起，确保将操作说明随产品一起交给他人。

1.2 使用符号的说明

1.2.1 警告

警告是为了提醒您在处理或使用此产品时会发生的危险。使用以下信号词：



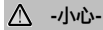
危险！

► 用于让人们能够注意到会导致严重身体伤害或致命的迫近危险。



警告！

► 用于提醒人们注意可能导致严重或致命伤害的潜在危险。



小心！

► 用于提醒人们注意可能造成人身伤害、设备损坏或其他财产损失的潜在危险情况。

1.2.2 文档中的符号

本文档中使用下列符号：



请在使用之前阅读操作说明。



使用说明和其他有用信息



处理可回收材料



不得将电气设备和电池作为生活垃圾处置

1.2.3 图示中的符号

图示中使用了下列符号：



这些编号指本操作说明开始处的相应图示。



图示中的编号反映操作顺序，可能与文本中描述的步骤不同。



概览图示中使用了项目参考号，该参考号指的是产品概览部分中使用的编号。



这些符号旨在提醒您在操作本产品时要特别注意的某些要点。



1.3 与产品相关的符号

1.3.1 产品上使用的符号

产品上可以使用下列符号：

	电动工具支持近场通信 (NFC) 技术，兼容于 iOS 和安卓平台。
	使用 Hilti 锂离子电池类型系列。请遵守该章节中给出的信息，标题为 预期用途 。
	切勿将电池用作敲击工具。
	请勿让电池掉落。切勿使用受到撞击或有任何损坏的电池。
Li-Ion	锂离子电池
— — —	直流电 (DC)
	请戴上护目装置

1.4 产品信息

产品设计适用于专业用户，只有经过专门训练的授权人员才允许操作、维修和维护本产品。必须将任何可能的危险专门告知该人员。不按照既定用途使用或由未经培训的人员不正确地使用本产品及其辅助设备可能会带来危险。

型号名称和序列号印在铭牌上。

▶ 在下表中填写序列号。在联系 Hilti 维修中心或当地 Hilti 机构询问产品时，将要求您提供产品的详细信息。

产品信息

毛坯下料机	SPN 6-A22
分代号：	01
序列号：	

1.5 符合性声明

按照我们单方面的责任，我们声明本产品符合下列适用指令和标准：一致性声明副本位于本文档结尾处。

技术文档在此处归档：

Hilti Entwicklungsgesellschaft mbH | Tool Certification | Hiltistrasse 6 | 86916 Kaufering, Germany

2 安全

2.1 一般电动工具安全警告

⚠ 警告 请阅读本电动工具随附的所有安全警告、说明、图示和技术规范。不遵守下列所有操作说明可能会导致电击、火灾和/或严重人身伤害。

请保存所有安全警告和操作说明，以供将来参考。

在所有下列的警告中术语“电动工具”指市电驱动(有线)电动工具或电池驱动(无线)电动工具。

工作区域安全

- ▶ 保持工作区域清洁和良好照明。杂乱和黑暗的区域容易导致事故。
- ▶ 不要在爆炸性环境中操作电动工具，例如有易燃液体、气体或灰尘。电动工具会产生可以点燃这些灰尘或烟雾的火花。
- ▶ 在操作电动工具时，要令儿童和旁观者远离工作现场。万一分心，可能会使您失去对电动工具的控制。

电气安全

- ▶ 电动工具(设备)插头必须匹配电源插座。切勿以任何方式改动插头。对于接地的电动工具(设备)，不要使用任何适配器插头。使用未经改动的插头和匹配的电源插座可以大大减少电击危险。
- ▶ 避免人体接触接地表面，如管道、散热片和冰箱。如果您的身体接地，则会增加电击危险。
- ▶ 不要将电动工具暴露在雨水或潮湿环境中。电动工具进水将会增加电击危险。
- ▶ 不要滥用电缆。切勿使用电缆运送、拉动或拔出电动工具。保持电缆远离高温、油、锋利边缘或运动部件。电缆损坏或缠绕会增加电击危险。



- ▶ 当在户外操作电动工具时，应使用经认可适合户外操作的加长电缆。使用适合户外使用的电缆可减少电击危险。
- ▶ 如果在潮湿环境下操作电动工具是不可避免的，应使用剩余电流动作保护器 (RCD)。使用 RCD 可减小电击危险。

人身安全

- ▶ 保持警觉，注意您正在进行的工作，并在操作电动工具的过程中，应利用自己的判断能力。当您疲劳或受到药物、酒精或医疗影响时，请不要使用电动工具。当操作电动工具时，瞬间的分心都可能导致严重的人身伤害。
- ▶ 使用个人防护装备。一定要戴上护目装置。安全装置，诸如适当条件下使用防尘面具、防滑安全鞋、安全帽、听力防护等装置能减少人身伤害。
- ▶ 防止电动工具意外启动。在连接至电源和/或电池组、拿起或搬运电动工具之前，应确保开关处于“关闭”位置。将手指放在开关上搬运电动工具或在开关处于“打开”位置时接通电源，都可能会导致事故发生。
- ▶ 在打开电动工具之前，必须拿掉任何调整键或扳手。让扳手或调整键留在电动工具的旋转部件上可能会导致人身伤害。
- ▶ 不要操之过急。应时刻保持正确的站姿和平衡。这在意外情况下能够更好地控制电动工具。
- ▶ 应确保正确着装。不要穿着松垮的衣服或佩戴首饰。让头发和衣服远离运动部件。松垮的衣服、首饰或长发会卡在运动部件中。
- ▶ 如果提供有用于连接除尘和集尘设施的装置，应确保将它们连接好并正确使用。使用除尘装置可以减少与灰尘相关的危险。
- ▶ 经常使用工具能令您获得较高的熟练度，但不能因此掉以轻心和忽视工具安全准则。一次不慎操作就会在瞬间导致重伤。

电动工具的使用和维护

- ▶ 不要强制使用电动工具。针对您的应用场合使用正确的电动工具。正确的电动工具在其额定设计值范围内将能够更好和更安全地工作。
- ▶ 如果通过开关不能使其打开和关闭，则请不要使用电动工具。任何不能通过开关进行控制的电动工具都是危险的，必须对其进行修理。
- ▶ 在进行任何调整、更换配件或存放电动工具之前，应从电源上断开插头和/或从电动工具上拆下电池组（若可拆卸）。此预防性安全措施可减少意外启动电动工具的危险。
- ▶ 将不用的电动工具存放在儿童拿不到的地方，并且不要让不熟悉电动工具或其操作说明的人员操作电动工具。未经培训的用户操作电动工具是危险的。
- ▶ 维护电动工具和配件。检查是否存在运动部件失调或卡滞、部件断裂和任何其它影响电动工具操作的情况。如果存在损坏，则在使用之前应修理电动工具。许多事故都是由于电动工具维护不良造成的。
- ▶ 保持切削工具锋利和清洁。带锋利切削刃的切削工具如果维护得当，很少会发生卡滞且更容易控制。
- ▶ 按照使用说明书，考虑作业条件和进行的作业来使用电动工具、附件和工具的刀头等。将电动工具用于指定用途以外的场合会导致危险。
- ▶ 使手柄和抓握面保持干燥、清洁且没有油脂。如果手柄和抓握面打滑，将无法在意外情况下安全操作或控制本工具。

无绳（电池操作）工具/设备的使用和维护

- ▶ 充电时只能使用制造商指定的充电器。适合某种类型电池组的充电器如果被用于为另一类型电池组充电，则可能会带来火灾危险。
- ▶ 只能使用专用电池组为电动工具供电。使用任何其它电池组可能会带来人身伤害和火灾。
- ▶ 当电池组不用时，应使其远离其它金属物体，例如纸夹、硬币、钥匙、钉子、螺钉或其它小的金属物体，以免造成短路。如果电池端子被短路，则会造成人员烧伤或火灾。
- ▶ 如果持续滥用电池，则可能会造成液体从电池中喷射出来；注意避免接触到液体。如果意外接触到液体，应用水冲洗。如果液体接触眼睛，除了用大量清水冲洗外，还应立即就医。从电池中喷射出来的液体会导致疼痛或灼伤。
- ▶ 不要使用损坏或改装过的电池组或工具。损坏或改装过的电池会造成不可预测的情形，导致火灾、爆炸或受伤风险。
- ▶ 不要将电池组或工具暴露在明火或过高的温度中。暴露在明火或超过 130 °C (265 °F) 温度中可能导致爆炸。
- ▶ 遵守所有充电说明，且不要在使用说明规定的温度范围之外对电池组或工具充电。充电不正确或在规定温度范围之外充电会损坏电池并增加火灾风险。

保养

- ▶ 将您的电动工具送交专业维修人员，使用同样的备件进行修理。这样才可确保维持电动工具（设备）的安全性。
- ▶ 切勿擅自维修损坏的电池组。仅可由制造商或授权服务提供商执行电池组的维修。



2.2 电池的使用与保养

- ▶ 请遵守锂离子电池专用运输、储存和使用指南。
- ▶ 请勿将电池暴露在高温、阳光直射或明火环境下。
- ▶ 请勿拆解、挤压或焚烧电池，也不要让其暴露在 80 °C 以上的高温下。
- ▶ 如果电池受到过机械冲击、曾从高处坠落或有损坏迹象，则不得使用本电池或为其充电。在这种情况下，请务必与当地的 Hilti 维修中心联系。
- ▶ 如果电池发热烫手，则可能存在故障。请将电池放在醒目且无火灾风险的地方，并与易燃物品保持足够距离。让电池自行冷却。如果 1 小时后电池仍然发热烫手，则表示存在故障。请联系 Hilti 维修中心。

2.3 附加安全说明

人身安全

- ▶ 在使用产品时请戴上防护手套。配套工具在使用时会发热，有烧伤的危险。切割边缘和金属屑边缘锋利，有割伤的危险。
- ▶ 工作间隙抽时间休息，放松舒展并活络手指，改善手指的血液循环状况。
- ▶ 请戴上护耳装置。如直接暴露在噪音中，则可能会导致听力受损。
- ▶ 不要使用本产品进行高空作业。

电气安全

- ▶ 请定期将经常用于加工导电材料的脏污或多尘电动工具交由 Hilti 维修中心进行检查。在不利条件下，吸附到电动工具表面的粉尘 (特别是导电材料产生的粉尘) 或湿气会导致触电危险。
- ▶ 定期清洁电动工具的通风孔。电机风扇会吸附壳体内的灰尘，如果金属粉尘过度积聚，则可能会导致电气危险。
- ▶ 在开始工作之前，应检查工作区域 (例如使用金属探测器)，以确保没有隐藏的电缆或煤气管和水管。如果当某条电源线意外损坏时，本工具的外部金属部件可能带电。
- ▶ 不得试图切割可能带电的工件。

工作区域安全

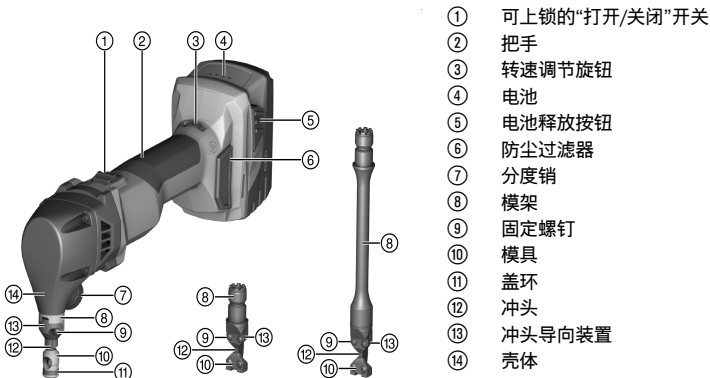
- ▶ 保持工作区域干净整洁。金属屑非常锋利，可能会刮擦地板表面。

小心操作和使用电动工具

- ▶ 确保产品上没有切屑或污垢。工作时，确保没有切屑进入“打开/关闭”开关区域。切屑可能会阻塞“打开/关闭”开关，使产品无法关闭。

3 说明

3.1 产品概述



3.2 预期用途

所述的产品为手持充电式毛坯下料机。它的设计目的是切割由钢、铝、有色金属和塑料等可冲压材料制成的片状工件，主要用于直或弯曲的外缘和切口下料，以及沿着切割的标记线下料。下料过程中会形成无变形的切割边缘。同时也适用于其它应用场合，具体取决于使用的配套工具。



SPN-CN：该配套工具还设计用于切割管道、波纹金属下料和使用模板下料。空心圆形冲头可使毛坯下料机绕着自己的轴旋转，以便下料可以在任何方向上进行。

可选：SPN-RN 和 SPN-RL：此外，这些配套工具还可设计用于切割金属板材，如梯形金属板、波纹金属板、箱形截面金属板和角模。

- ▶ 请仅将 Hilti B 22 系列锂离子电池与本产品一起使用。
- ▶ 请仅使用 Hilti C4/36 系列电池充电器为这些电池充电。

3.3 提供的部件

毛坯下料机、梅花扳手、操作说明

为确保安全和可靠的操作，仅限使用喜利得原装备件和消耗品。购买经 Hilti 批准可与产品搭配使用的备件、消耗品和配件，可到您当地的 Hilti Store 购买或访问 www.hilti.group 在线订购



在发货之前，产品都已经过测试，以确保其处于正常工作状态。在测试中使用的工件可能会在外壳表面留下微小的划痕。

3.4 温度相关电动机保护

与温度有关的电机保护系统可以监控电流输入和电机温度，从而防止电动工具过热。

如果因施加过高的工作压力而使电机过载，则电动工具的性能明显降低或可能完全停止。

如果电动工具因过载而停止或明显减速，则释放对工具施加的压力，然后使其空载运行约 30 秒。

3.5 锂离子电池充电状态显示屏

按下两个电池释放按钮中的一个后，显示锂离子电池的充电状态。

状态	含义
4 个 LED 亮起。	充电状态：75% 至 100%
3 个 LED 亮起。	充电状态：50% 至 75%
2 个 LED 亮起。	充电状态：25% 至 50%
1 个 LED 亮起。	充电状态：10% 至 25%
1 个 LED 闪烁。	充电状态：< 10%



当电动工具在使用时或在刚使用完之后，不会指示充电状态。若电池充电状态 LED 闪烁，请参考故障排除章节中的信息。

4 技术数据

毛坯下料器标配 SPN-CN 配套工具。SPN-RN 和 SPN-RL 配套工具作为可选配件提供。

	SPN-CN	SPN-RN	SPN-RL
额定电压	21.6 V	21.6 V	21.6 V
符合 EPTA Procedure 01 要求的重量 (包括 B228.0 电池)	3.1 kg	3.0 kg	3.3 kg
怠速时的冲数	620 rpm ... 1,370 rpm	620 rpm ... 1,370 rpm	620 rpm ... 1,370 rpm
起始孔径	17 mm	24 mm	24 mm
曲线切口的最小半径	4.0 mm	•/•	•/•
半径	•/•	50 mm	50 mm
切割轨道宽度	8.0 mm	5.0 mm	5.0 mm
允许的钢材厚度，钢材厚度达 400 N/mm ²	2.0 mm / 14 ga	2.0 mm / 14 ga	2.0 mm / 14 ga
允许的钢材厚度，钢材厚度达 600 N/mm ²	1.5 mm / 16 ga	1.5 mm / 16 ga	1.5 mm / 16 ga
允许的钢材厚度，钢材厚度达 800 N/mm ²	1.0 mm / 20 ga	1.0 mm / 20 ga	1.0 mm / 20 ga
允许的材料厚度，铝材厚度达 250 N/mm ²	2.5 mm / 10 ga	3.0 mm / 9 ga	3.0 mm / 9 ga



4.1 电池

电池工作电压	21.6 V
工作环境温度	-17 °C ... 60 °C
存放温度	-20 °C ... 40 °C
电池充电起始温度	-10 °C ... 45 °C

4.2 噪音信息和振动值按照 EN 62841 标准

这些说明中给出的声压和振动值按照标准化测试的要求测得，可用于比较一种电动工具与另一种电动工具。它们还可用于初步评价受振动影响的程度。

提供的数据代表本电动工具的主要应用。但是，如果将电动工具用于不同的应用、使用不同的配套工具或维护不良，则数据可能不同。这可能会显著增加操作者在整个工作期间受振动影响的程度。

对受振动影响程度的准确估计还应考虑当关闭电动工具或当它运行但实际未进行工作时的情况。这可能会显著减小操作者在整个工作期间受振动影响的程度。

此外，应确定附加安全措施，以保护操作者免受噪音和/或振动影响，例如：正确维护电动工具和配套工具、保持双手温暖、制订合理的工作计划等。

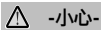
噪音信息

典型的 A 加权声压级 (L_{pA})	91 dB(A)
声压级的不确定性 (K_{pA})	3 dB(A)
典型的 A 加权声功率级 (L_{WA})	102 dB(A)
声音功率级的不确定性 (K_{WA})	3 dB(A)

振动信息

	SPN-CN	SPN-RN	SPN-RL
三轴振动值 (a_h)	6.7 m/s ²	7.4 m/s ²	6.2 m/s ²
不确定性 (K)	1.5 m/s ²	1.5 m/s ²	1.5 m/s ²

5 工作现场的准备工作



-小心-

人身伤害的危险 意外启动会带来伤害风险！

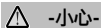
- ▶ 插入电池前，确保已关闭产品。
- ▶ 对电动工具执行任何调节或更换配件前，先取出电池。

请遵守本文档中以及产品上的安全说明和警告。

5.1 为电池充电

1. 为电池充电之前，请阅读充电器的操作说明。
2. 确保电池和充电器上的触点均清洁、干燥。
3. 使用认可的充电器为电池充电。

5.2 插入电池



-小心-

电池短路或跌落 有导致受伤的危险！

▶ 插入电池之前，确保产品上的触点以及设备上的触点均无异物。

- ▶ 确保电池接合正确。
1. 在首次使用电池之前，要给电池完全充电。
 2. 将电池推入电池座中，直至听到它接合的“咔哒”声。
 3. 检查并确认电池已可靠就位。

5.3 拆卸电池

1. 按下电池释放按钮。



2. 将电池从工具中取出。

5.4 配套工具 2

有关配套工具与待加工材料的正确组合，请参见图示。

待加工材料说明：

- A: 扁平金属板材
- B: 波纹金属板
- C: 梯形金属板 (型材最大深度 85 mm)
- D: 梯形金属板 (型材最大深度 162 mm)

为了使用 SPN-RN 和 SPN-RL 配套工具在厚度达 1 mm 的金属板上进行无毛刺切割，可以使用 P1 模具。较小的切割间隙可减少沿切割方向形成毛刺的趋势。

5.5 拆卸配套工具 3

1. 将分度销逆时针后退六整圈。
2. 从壳体上拆下配套工具。

5.6 安装配套工具 4

1. 润滑冲头导向装置。
2. 将冲头接合到推杆的凹槽中。
3. 握住配套工具，使切割方向朝前。
4. 当切割方向朝前时，将配套工具插入壳体。
5. 然后将配套工具转到所需的切割方向。
6. 顺时针转动分度销并用手拧紧。
 - ▶ 确保壳体和模架之间没有间隙。

5.7 设置切割方向 5

如有必要，可将切割方向以 45° 为步进向左或向右转动。这使得切割压型钢板更加容易，而且还便于设置毛坯下料机是右手操作还是左手操作。

1. 将分度销逆时针后退大约三整圈，直到它不再分度。
2. 将配套工具从壳体中轻轻拉出，然后按所需方向转动。
 - ▶ 有八个分度位置。
3. 当配套工具处于所需的分度位置时，将其压回壳体中。
4. 顺时针转动分度销并用手拧紧。
 - ▶ 确保壳体和模架之间没有间隙。

5.8 调整冲数

- ▶ 通过转动电机转速调节旋钮设置冲数。

6 操作

请遵守本文档以及产品上的安全说明和警告。

6.1 打开

1. 按下“打开/关闭”开关的后部。
2. 向前滑动“打开/关闭”开关。
 - ▶ 电机运行。
3. 锁定“打开/关闭”开关。

6.2 切削 5



小心 由于配套工具变钝，毛坯下料器过载。

- ▶ 定期检查冲头的切削刃是否磨损。及时更换冲头，以减少毛坯下料机的负载。



1. 在预期的切割线上轻涂一层油，以延长冲头的使用寿命，并提高切割操作的效果。
2. 打开工具。→ 页码 235
3. 等待直至刀具达到全速时，使毛坯下料机与工件接触。
 - ▶ 当在板材上开孔时，首先为要使用的配套工具切割一个尺寸合适的起始孔。
4. 沿着所需的切割线切割。
5. 当切割结束时，将本产品关闭。如果切割线在工件中结束，在产品仍然打开的情况下，将其沿着切割线向后拉动几毫米，然后再关闭。



在毛坯下料机完全停止之前，不要将其放在切屑上。切屑可能会被电机吸入。

6.3 使用模板切割

选装件: SPN-CN

使用模板切割的要求如下：

- 模板厚度必须为 5 - 7 mm。
- 模板轮廓必须与切割轮廓相距 2.5 mm。
- 请注意，最小半径为 4 mm。因此，模板的最小半径为 6.5 mm。
- 引导毛坯下料机，使冲头导向装置的外边缘始终与模板接触。

6.4 关闭

- ▶ 按下“打开/关闭”开关的后部。
 - ▶ “打开/关闭”开关跳到关闭位置，电机停止。

7 选装配件

7.1 安装切屑袋

选装件: SPN-CN

可安装一个切屑袋来捕捉切割操作产生的切屑，以防切屑散开。

1. 将弹簧的两端挤在切屑袋中。
2. 将弹簧钩在模具底端，然后松开弹簧末端。
3. 检查弹簧和切屑袋是否正确就位并固定。

8 维护和保养



-警告-

插入电池时存在人身伤害危险！

- ▶ 执行维护和保养任务之前，请务必先取出电池。

本工具的维护和保养

- 仔细清除可能粘附在部件上的所有污垢。
- 拆下防尘过滤器，并用干燥的刷子小心地清洁防尘过滤器和通风孔。
- 请仅使用略湿的布清洁壳体。不要使用含硅清洁剂，否则可能腐蚀塑料件。

锂离子电池的保养

- 确保电池远离油和油脂。
- 请仅使用略湿的布清洁壳体。不要使用含硅清洁剂，否则可能腐蚀塑料件。
- 注意避免湿气侵入。

维护

- 定期检查所有可见部件和控制器是否出现损坏迹象，确保其全部正常工作。
- 如果发现损坏迹象或如果有部件发生故障，不要操作本产品。立即将产品交由 Hilti 维修中心修复。
- 清洁和维护之后，安装所有护板或保护装置，检查并确认其正常工作。



为确保安全和可靠的操作，仅限使用喜利得原装备件和消耗品。Hilti 批准用于配合产品使用的备件、消耗品和配件可到您当地的 **Hilti Store** 购买或通过以下网址在线订购：www.hilti.group。



8.1 更换冲头

更换冲头时，还应检查模具、冲头导向装置和耐磨板 (非 SPN-CN) 是否磨损，如果磨损，也应更换这些部件。

1. 卸下配套工具。→ 页码 235
2. 从配套工具上拆下磨损的冲头。
3. 润滑新冲头以及配套工具中的冲头导向装置。
4. 如果以下设备已存在，需进行此操作：

选装件: SPN-RL

- ▶ 将推杆加长件插入推杆和冲头之间并进行润滑。
5. 安装配套工具。→ 页码 235

8.2 更换模具

选装件: SPN-CN

1. 将盖环向上拉出凹槽。
2. 使用合适的冲头将直销从孔中拉出。
3. 从托架销上将模具分离。
4. 将新模具放置在托架销上。
5. 重新安装直销。
6. 将盖环向下推入凹槽中，并检查其是否正确就位。

8.3 更换冲头导向装置

选装件: SPN-CN

-小心-

有损坏产品和刀具的危险！

- ▶ 在安装固定螺钉之前，请清洁螺纹。
- ▶ 务必使用提供的新固定螺钉，并将螺钉拧紧至规定的拧紧力矩。

1. 拆下模具。→ 页码 237
2. 拆下固定螺钉。
3. 提起冲头导向装置。
4. 将新的冲头导向装置放置到位。
5. 插入固定螺钉并将其拧紧至规定力矩。

技术数据

拧紧力矩

3 Nm

6. 重新安装模具。

8.4 检查模具、冲头导向装置和耐磨板

选装件: SPN-RN

或 SPN-RL

-小心-

有损坏产品和刀具的危险！

- ▶ 在安装固定螺钉之前，请清洁螺纹。
- ▶ 务必使用提供的新固定螺钉，并将螺钉拧紧至规定的拧紧力矩。

1. 拆下固定螺钉。
2. 拆下冲头导向装置和模具。



3. 检查耐磨板有无磨损迹象。

结果

如果有明显的磨损迹象：

- ▶ 拆下耐磨板并安装新的更换件。

4. 清洁模具轴承的接触面。

5. 使用销将冲头导向装置和模具居中。

6. 重新安装固定螺钉并用手拧紧。

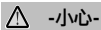
7. 润滑冲头导向装置的表面。

8. 按对角相反的顺序将固定螺钉拧紧至规定力矩。

技术数据	
拧紧力矩	3 Nm

9 运输和存放无绳工具

运输



-小心-

运输途中的意外启动！

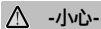
- ▶ 运输产品前务必将电池取出！

- ▶ 拆下电池。

- ▶ 切勿松散、未加保护地运输大批量电池。

- ▶ 在长时间运输后使用前，检查工具和电池是否损坏。

存放



-小心-

电池故障或泄漏导致的意外损坏！

- ▶ 存放产品前务必将电池取出！

- ▶ 将工具和电池存放在尽量凉爽和干燥的地方。

- ▶ 切勿将电池存放在阳光直射位置、加热单元上或窗玻璃后。

- ▶ 将工具和电池存放在儿童或非授权人员无法接近的干燥位置。

- ▶ 工具和电池经过长期存放后，在使用之前，检查其是否受损。

10 故障排除


如果您碰到的问题未在此表中列出或您无法自己实施补救措施，请联系 Hilti 服务部门。

10.1 故障排除

故障	可能原因	解决方案
电池比平常更快耗尽。	非常低的环境温度。	▶ 允许电池缓慢加热到室温。
电池没有在听到“咔嚓”声的情况下接合。	电池上的固定凸耳脏污。	▶ 清洁固定凸耳，然后重新安装电池。
1 个 LED 闪烁。 电动工具不工作。	电池电量低。	▶ 更换电池，并对已放电电池充电。
	电池过热或过冷。	▶ 使电池缓慢冷却或变暖至室温。
4 个 LED 全部闪烁。 电动工具不工作。	工具已过载。	▶ 释放控制开关，然后再次将其按下。然后使电动工具空载运行约 30 秒。
电动工具或电池过热。	电气故障	▶ 立刻关闭电动工具，拆下电池，进行观察，使其冷却并联系 Hilti 维修中心。
电动工具不能达到全功率。	使用了一个容量不足的电池。	▶ 使用容量足够的电池。
降低切割性能	冲头磨损	▶ 更换冲头。→ 页码 237
电机没有制动作用。	电池电量低。	▶ 更换电池，并对已放电电池充电。
	电动工具短时间过载。	▶ 关闭电动工具然后再次打开。



11 废弃处置

 大部分用于 Hilti 工具和设备生产的材料是可回收利用的。在可以回收之前，必须正确分离材料。在很多国家，您的旧工具、机器或设备可送至 Hilti 进行回收。敬请联系 Hilti 维修中心或 Hilti 代表获得更多信息。

电池处置

电池处置不当可能会造成漏气或漏液，最终导致健康危害。

- ▶ 不得通过邮寄方式发送电池！
- ▶ 用非导电材料(比如绝缘带)包住端子，以防止短路。
- ▶ 在儿童接触不到的地方处置电池。
- ▶ 请至 Hilti Store 处置电池，或咨询当地政府下属的垃圾处置或公共健康和机构，以获取处置说明。



- ▶ 不得将电动工具、电子设备或电池作为生活垃圾处置！
-

12 RoHS (有害物质限制)

单击链接跳转到有害物质表：qr.hilti.com/r10695220。

文档末尾以二维码形式提供指向 RoHS 表的链接。

13 制造商保修

- ▶ 如果您有保修条件方面的问题，请联系您当地的 Hilti 公司代表。





EC Declaration of Conformity | UK Declaration of Conformity



Manufacturer:
Hilti Corporation
Feldkircherstraße 100
9494 Schaan | Liechtenstein

Importer:
Hilti (Gt. Britain) Limited
1 Trafford Wharf Road, Old Trafford
Manchester, M17 1BY

SPN 6-A22 (01)

Serial Numbers: 1-9999999999

2006/42/EC | Supply of Machinery (Safety)
Regulations 2008

EN 62841-1:2015

EN 62841-2-8:2016

2014/30/EU | Electromagnetic Compatibility
Regulations 2016

EN 55014-1:2017 +
A11:2020

EN 55014-2:2015

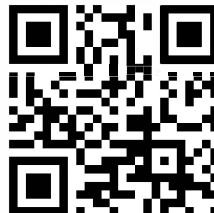
2011/65/EU | The Restriction of the Use of
Certain Hazardous Substances in Electrical and
Electronic Equipment Regulations 2012

Dr. Tahar Zrilli
Head of Quality and Process Management
Business Area Electric Tools & Accessories

Schaan, 12.08.2021

Tassilo Deinzer
Executive Vice President
Business Unit Power Tools & Accessories

ROHS





Hilti Corporation
LI-9494 Schaan
Tel.:+423 234 21 11
Fax:+423 234 29 65
www.hilti.group



2253588