

# Instructions for use

CFS-T 15 15mm

CFS-T 20 20mm

CFS-T 30 30mm

CFS-T 40 40mm

CFS-T FB 24x5/0 24x5mm

CFS-T FB 12x10/0 12x10mm

CFS-T FB 15/0 15mm

CFS-T FB 20/0 20mm

CFS-T FB 30/0 30mm

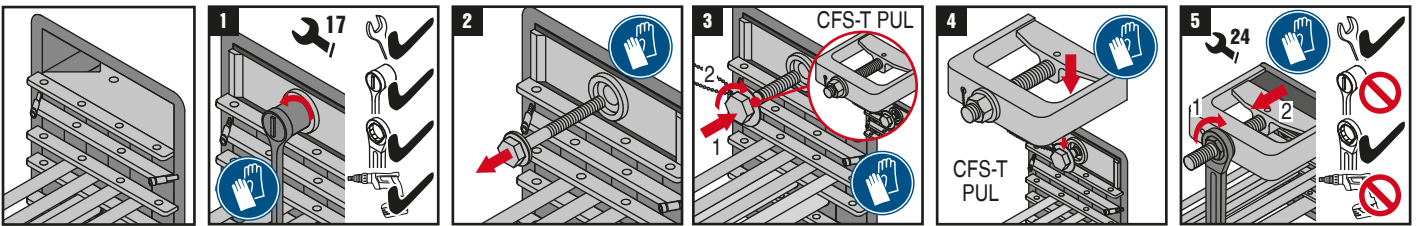
CFS-T FB 40/0 40mm

CFS-T FB 60/0 60mm

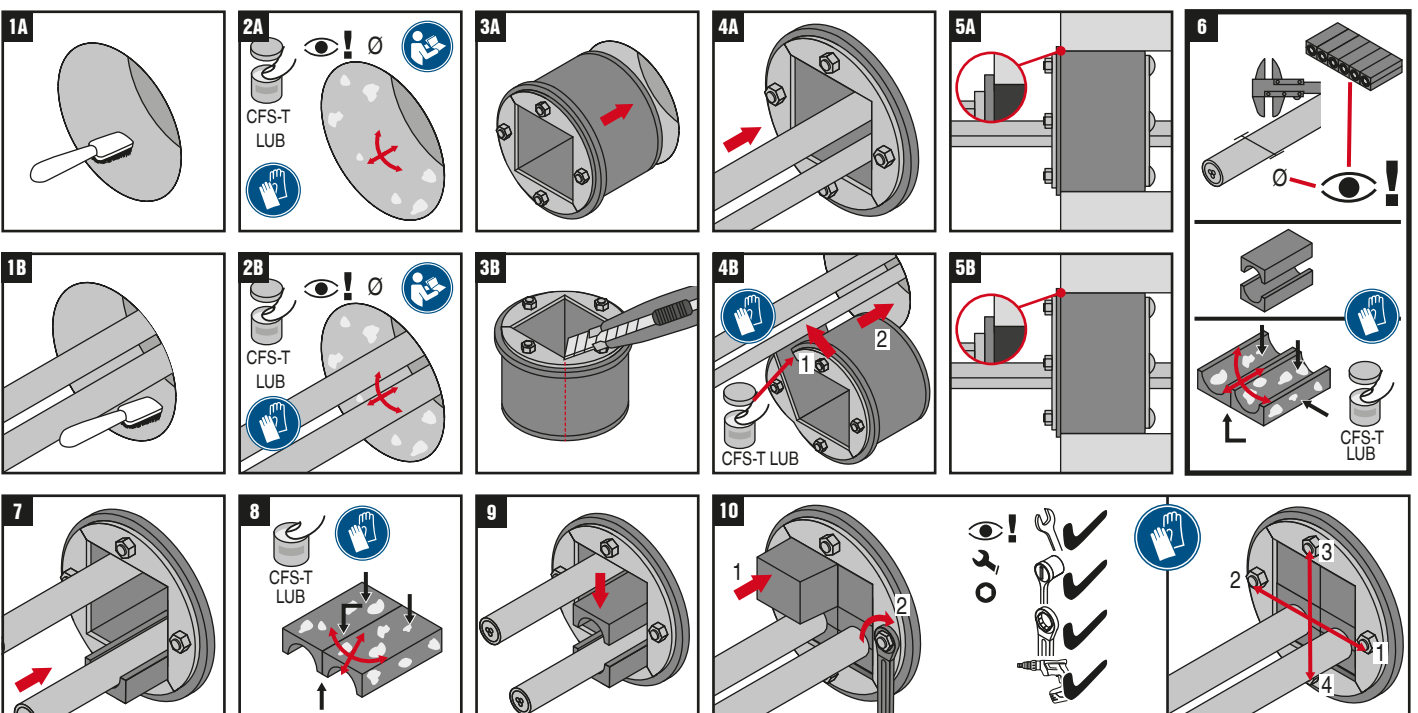
## Transit System CFS-T

- 1** Measure and mark the base plate. Apply CFS-T LUB to the base plate holes.
- 2** Insert the base plate into the frame.
- 3** Apply CFS-T LUB to the base plate holes.
- 4** Insert the rollers into the frame.
- 5** Insert the rollers into the frame.
- 6** Tighten the roller adjustment screw.
- 7** Insert the top plate into the frame.
- 8** Tighten the CFS-T SQU adjustment screw (torque 17 Nm).
- 9** Tighten the roller adjustment screw.
- 10** Tighten the roller adjustment screw.
- 11** Insert the top plate into the frame.
- 12** Tighten the CFS-T SQU adjustment screw (torque 17 Nm).
- 13** Apply CFS-T LUB to the base plate holes.
- 14** Tighten the roller adjustment screw.
- 15** Tighten the roller adjustment screw.
- 16** Tighten the CFS-T SQU adjustment screw (torque 17 Nm).
- 17** Wait 2 days before use. Do not touch the rollers.

## Removal of wedge to add/remove cables CFS-T



## Plug Seal CFS-T RR



Before handling and for specific application details, refer to Hilti product literature, 3rd party published listings and national approvals. For professional use only.

Vor Gebrauch und für spezifische Anwendungsanweisungen lesen Sie die Hilti Produktbeschreibungen, veröffentlichte Listings von Fremdüberwachern und nationale Zulassungen. Nur für gewerbliche Anwender.

Avant toute utilisation et pour tout détail concernant une application, se référer à la documentation Hilti, à la liste de publications des tierces parties et aux approbations nationales. Seulement pour utilisateurs professionnels.

Antes de usar y para detalles específicos de aplicación, véase la información que acompaña al producto Hilti, el listado publicado por terceros y las aprobaciones nacionales. Solamente para los usuarios profesionales.

Prima dell'impiego e per i dettagli specifici dell'applicazione fare riferimento alla documentazione relativa ai prodotti Hilti, ai listini pubblicati da altre aziende e alle certificazioni nazionali. Solo per uso industriale.

Raadpleeg voor de behandeling en voor specifieke details over de toepassing de productieliteratuur van Hilti, de gepubliceerde listings van derden en nationale goedkeuringen. Alleen voor industrieel gebruik.

취급 전에 특정 애플리케이션 세부사항은 힐티 제품 인쇄물, 타사 발행 목록 및 국가 승인을 참조하십시오. 산업 전용.

قبل الاستعمال والحصول على تفاصيل محددة عن الاستخدام، يرجى الرجوع لكتيب منتجات هيلتي، وقوائم أسعار الطرف الثالث المنشورة، والموافقات الوطنية للاستخدام الصناعي فقط.

Преци манипулиране и за подробности за специфично приложение, вижте литературата за продукта на Хилти, публикуваните разпечатки на трети страни и националните одобрения. Само за промишлена употреба.

Informace o manipulaci a údaje pro konkrétní aplikace viz produktová literatura společnosti Hilti, seznamy publikované třetími stranami a národní schválení. Pouze pro průmyslové použití.

Πριν από τον χειρισμό και για ειδικές λεπτομέρειες εφαρμογών, ανατρέξτε στη βιβλιογραφία ή το έντυπο Hilti, σε δημοσιευμένους καταλόγους τρίτων φορέων και σε εθνικές εγκυρίσεις. Μόνο για βιομηχανική χρήση.

För hanterning, och för specifika detaljer mht. bruk, konsulter Hilti produktmateriel, lister publiceret av tredjepart och nasjonale godkjenninger. Kun for industriell bruk.

操作之前以及有关特殊应用细节，请参阅Hilti产品资料、第三方发布编目和国家认证。仅用于工业用途。

Antes de manusear o produto e para obter detalhes específicos sobre a respetiva aplicação, consulte a literatura Hilti do produto, as listagens publicadas por terceiros e as aprovações nacionais. Apenas para uso industrial.

Înainte de a manevra și pentru detalii de aplicare specifice, consultați documentația de produs Hilti, listele publicate de terți și aprobările naționale. Destinat exclusiv utilizării industriale.

Перед началом работы, а также для получения информации о конкретной области применения см. документацию Hilti, опубликованные данные сторонних компаний и сертификация, предоставленные государственными органами. Только для использования в промышленных условиях.

Pred manipuláciou a pre podrobnosti o konkrétnom použití si pozrite dokumentáciu výrobkov Hilti, zverejnené zoznamy tretej strany a národné schválenia. Iba pre priemyselné použitie.

สำหรับรายละเอียดการใช้งานเฉพาะ ก่อนที่จะควบคุมดูแลและอ้างถึงสิ่งพิมพ์ของ Hilti ที่บุคคลที่ 3 ตีพิมพ์เผยแพร่และรายชื่อของบริษัทที่ตีพิมพ์ในรายชื่อผู้ขายอุตสาหกรรมเท่านั้น

Kullanmadan önce ve spesifik uygulamaya ayrıntıları için Hilti ürün belgelerine, diğer şirketlerin yayınladığı listelerine ve ulusal onaylara bakın. Sadece endüstriyel kullanım içindir.

Hilti (Gt. Britain) Ltd., 1 Trafford Wharf Road, Trafford Park, GB-M17 1BY Manchester, Tel.: 0800 886 100, www.hilti.co.uk  
 Hilti Ireland, Unit C4, North City Business Park, Finglas, Dublin 11, Tel.: 1850 287 387, www.hilti.ie  
 Hilti Deutschland AG, Hiltistr. 2, DE-86916 Kaufering, Tel.: 0800 888 55 22, www.hilti.de  
 Hilti Austria Gesellschaft m.b.H., Altmannsdorfer Strasse 165, Postfach 316, AT-1230 Wien, Tel.: 0800 81 81 00, www.hilti.at  
 Hilti (Schweiz) AG, Soodstrasse 61, CH-8134 Adliswil, Tel.: 0844 84 84 85, www.hilti.ch  
 Hilti España, S.A., Avda. Fuente de la Mora, 2, Edificio 1, ES-28050 Madrid, Tel.: 902 100 475, www.hilti.es  
 Hilti Portugal, Rua da Liberdade 446, C39 Apartado 4085, PT-4465-671 Leça do Balio, Tel.: 808 200 111, www.hilti.pt  
 Hilti Hellas SA, L. Kimis 132, GR-151 23 Marousi, Athens, Tel.: 30 210 288 0600, www.hilti.gr  
 Hilti Danmark A/S, Stamholmen 153, 1. sal, DK-2650 Hvidovre, Tel.: 44 88 80 80, www.hilti.dk  
 Hilti Belgium S.A., Z 4 Broekooi 220, BE-1730 Asse, Tel.: 0800 972 72, www.hilti.be  
 Hilti Luxembourg S.A., Rue de l'Industrie 19, LU-8069 Bertrange, Tel.: +352 31 07 05, www.hilti.lu  
 Hilti España, S.A., Avda. Fuente de la Mora, 2, Edificio 1, ES-28050 Madrid, Tel.: 902 100 475, www.hilti.es  
 Hilti (Suomi) Oy, Virkatie 3, FI-01510 Vantaa, Tel.: 0207 999 200, www.hilti.fi  
 Hilti (Poland) Sp. z o.o., ul. Puławska 491, PL-02-844 Warszawa, Tel.: 22 320 5600, www.hilti.pl  
 Hilti ČR spol. s r.o., Uhlířevská 734, CZ-252 43 Pŕuhonice, Praha-západ, Tel.: 800 11 55 99, www.hilti.cz  
 Hilti Slovakia spol. s r.o., Galvaniho 7, SK-821 04 Bratislava, Tel.: 0800 11 55 99, www.hilti.sk  
 Hilti (Hungary) Szolgáltató Kft. Bécsi út 271, HU-1037 Budapest, Tel.: 06 80 44 58 44, www.hilti.hu  
 Hilti Croatia d.o.o., Ljudevit Pavlovski 29, HR-10360 Sesvete, Tel.: 385 1 2300 777, www.hilti.hr  
 Hilti Slovenija d.o.o., Brodšice 18, Industrijsko obrtna cone, SI-1236 Trzin, Tel.: 080 25 22, www.hilti.si  
 Hilti Bulgaria Ltd, Mladost 4 Business park, Building 11A, 4th floor, BG-1766 Sofia, Tel.: 0800 12398, www.hilti.bg  
 Hilti Romania S.R.L., Equest Logistic Center, Bucuresti-Pitesti Km 13, Com. Dragomiresti Vale, Str. DE 2871, RO-077096 Judo. Ilfov, Tel.: 40 21 352 3000, www.hilti.ro

UAB Hilti Complete Systems, Verkių 29, k.22, LT-09108 Vilnius, Tel.: +370 5 2300555, www.hilti.lt  
 Hilti Services Limited SIA, Mikusalas iela 41 E, Riga, LV-1004, Tel.: +371 6260080, www.hilti.lv  
 Hilti Eesti OÜ, Mustamäe tee 46, Tallinn 10621, Tel.: +372 6260080, www.hilti.ee  
 Hilti Insaat Malzemeleri T.A.S., Yukari Dudulu Mahallesi, Tavukcu You Caddesi, Sehiti Sokak, No. 24 Form Plaza, TR- 34775 Umranye/Istanbul, Tel.: +90216 5286800, www.hilti.com.tr  
 Hilti (China) Ltd., Yongqing Road, South Zhanjiang Development Zone, Guangdong Province, PRG-524022 Zhanjiang, Tel.: +86 759 3379, www.hilti.com/china  
 Hilti (Hong Kong) Ltd., 701-704, 7/F, Tower A, Manulife Financial Center, 223 Wai Yip Street, Kwun Tong HK-Kowloon, Tel.: +852 27734 700, www.hilti.com.hk  
 Hilti Far East Private Ltd., No 20 Harbour Drive, #06-06/08 PSA Vista, SGP-Singapore 117612, Tel.: +65 6777 7887, www.hilti.com.sg  
 P.T. Hilti Nusantara, Gedung 111 GCS, Kawasan Komersial Cilandak, Jl. Raya Cilandak KKO, Jakarta 12075, Tel.: +62 21 789 0850, www.hilti.com/indonesia  
 Hilti (Thailand) Ltd., No. 1858/107-108, 24th Floor, TCIF Tower, Bangna-Trad Road, Km. 4.5, Bangna, TH-10260 Bangkok, Tel.: 62 2 714 5300 www.hilti.com/thailand  
 Hilti (Philippines) Inc., 2326 Pasong Tamo Extension, RP-Makati City, Tel.: +63 2-7847-100, www.hilti.com/philippines  
 Hilti India Private Limited, F-904, Okhla Industrial Area Phase 1, New Delhi 110 020, Tel.: +91 11 4064 6500, www.hilti.in  
 Hilti Qatar W.L.L., No. 980 Al Madeed St. Corner, Wadi Al Arak St., Area 56, P.O. Box 1806, QA-Doha, Tel.: 974 4432 8684, www.hilti.com/qatar  
 Hilti Saudi Arabia for Construction Tools LLC, King Fahd Street, PO Box 15930, 21454 Jeddah, Tel.: +966 2 213 8400, www.hilti.sa/  
 Hilti Emirates L.L.C., Dubai Investment Park, Dubai, Tel.: +971 4 8019694, www.hilti.ae  
 Hilti, Inc., 5400 South 122nd East Ave., US-Tulsa, OK 74146, Tel.: +1 918 254 0522, www.us.hilti.com  
 Hilti Latin America, S.A., 50 and 69 Street, Plaza Guadalupe Building, 2nd Floor, P.O. Box 0832-01356, PA-Ciudad de Panamá, Panama, Tel.: +507 322 4200, www.hilti.com  
 Hilti Brasil, Av. Ceci, 426, Centro Empresarial, Tambore Barueri - SP, CEP 06460 120, Tel.: 0800 14 44 48, www.hilti.com/brazil  
 Hilti Distribution Ltd., 25 Leningradskaya Street, Business Center "Mebe One Khimki Plaza", RU-Khimi, 141400 Russia, Tel.: +7 495 792 52 52, www.hilti.ru  
 Hilti (Korea) Ltd., 11F, SEI Tower, 39, Eonju-ro 30-gil, Gangnam-gu., Seoul 135-856, Korea, Tel. 80-220-2000, www.hilti.co.kr