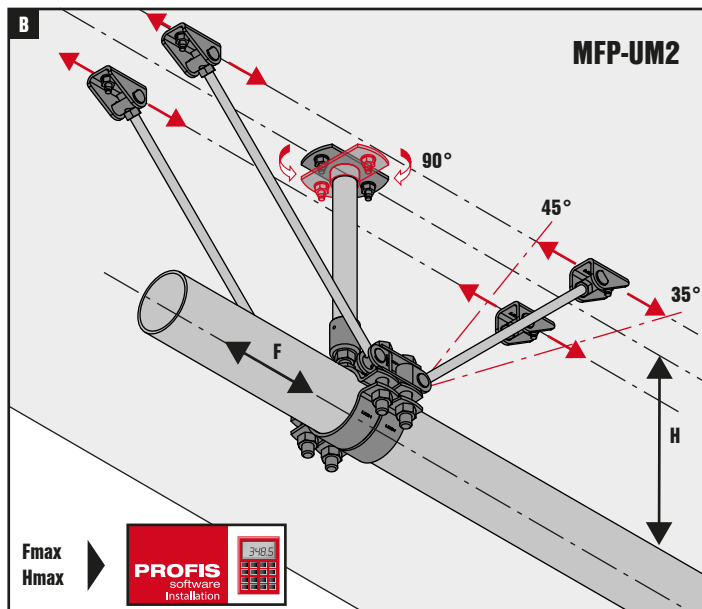
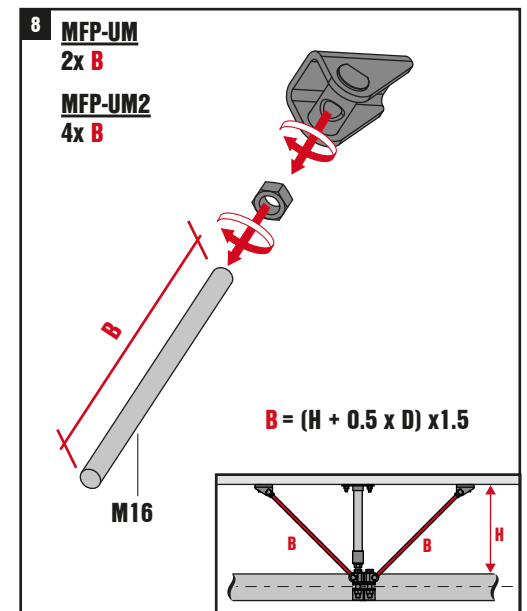
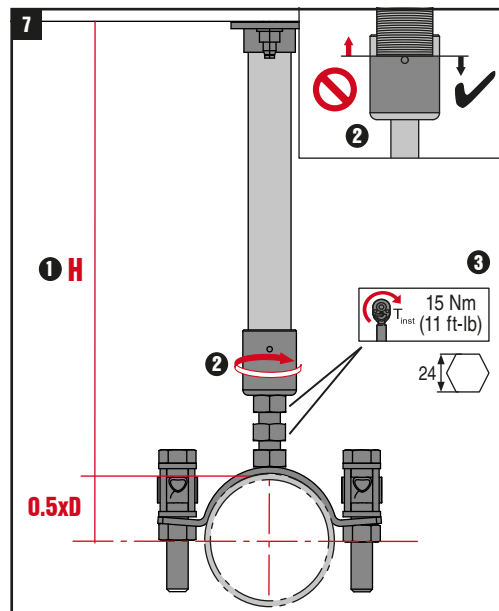
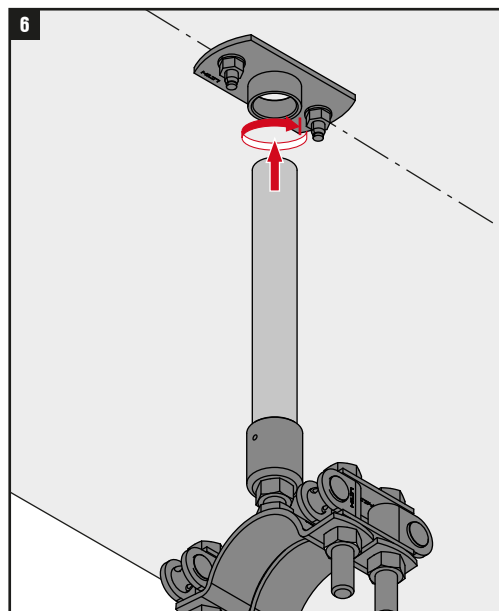
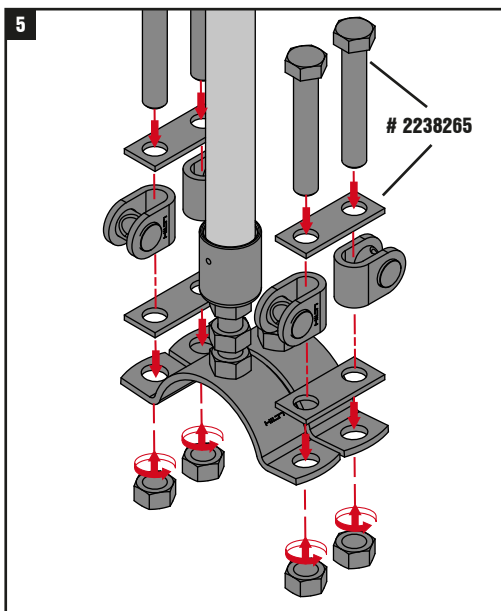
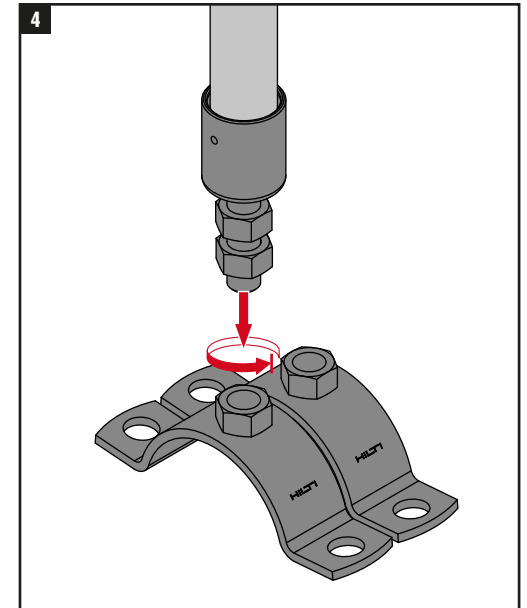
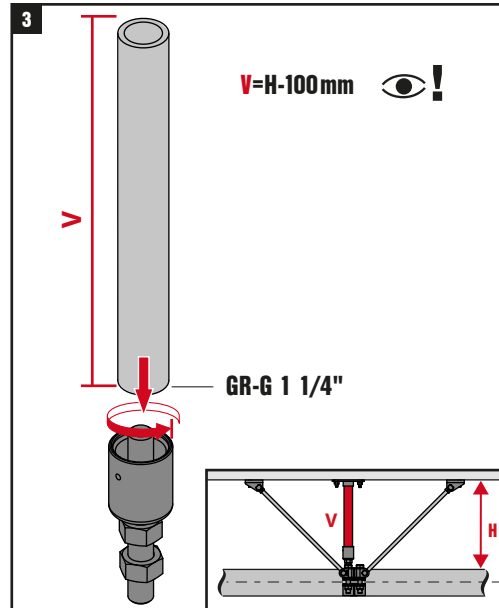
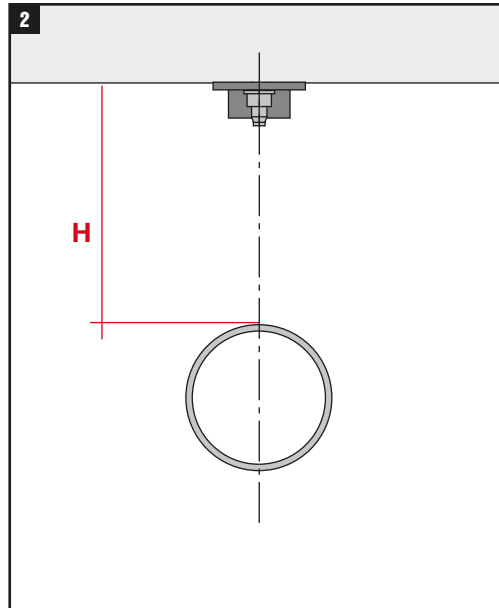
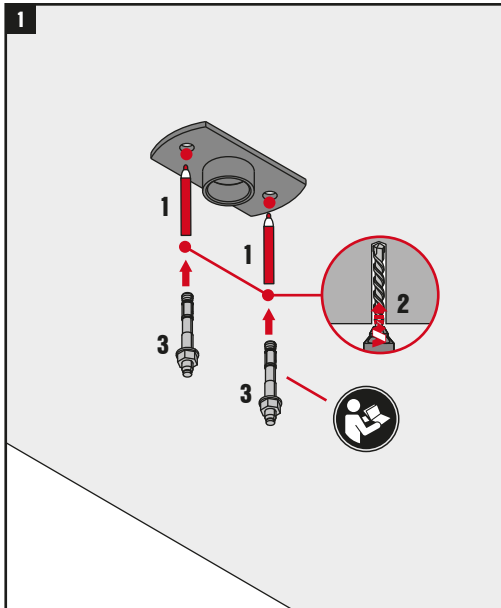


<p>2x Set #2222549</p> <p>(M16)</p>	<p>2x MFP-PC 73-78 to 318-326</p>	<p>1x Set #2238265</p> <p>2x 2x (M20x110)</p>	<p>1x AM-M16 4.8</p>
<p>1x Set #2222963</p>	<p>4x HST3-M12 x 105 #2105718 / HUS3-H 10 x 110 #2079916 HUS4-H 10 x 110 #2293557</p>	<p>1x GR-G 1 1/4"</p>	



<p>4x Set #2222549</p> <p>(M16)</p>	<p>2x MFP-PC 73-78 to 318-326</p>	<p>2x Set #2238265</p> <p>2x 2x (M20x110)</p>	<p>2x AM-M16 4.8</p>
<p>1x Set #2222963</p>	<p>6x HST3-M12 x 105 #2105718 / HUS3-H 10 x 110 #2079916 HUS4-H 10 x 110 #2293557</p>	<p>1x GR-G 1 1/4"</p>	



$$B = (H + 0.5 \times D) \times 1.5$$

M16

15 Nm
(11 ft-lb)

24

H

0.5xD

2

3

8

2x B

4x B

MFP-UM

MFP-UM2

M16

15 Nm

(11 ft-lb)

24

H

0.5xD

2

3

MFP-UM

MFP-UM2

M16

15 Nm

(11 ft-lb)

24

H

0.5xD

2

3

MFP-UM

MFP-UM2

M16

15 Nm

(11 ft-lb)

24

H

0.5xD

2

3

MFP-UM

MFP-UM2

M16

15 Nm

(11 ft-lb)

24

H

0.5xD

2

3

MFP-UM

MFP-UM2

M16

15 Nm

(11 ft-lb)

24

H

0.5xD

2

3

MFP-UM

MFP-UM2

M16

15 Nm

(11 ft-lb)

24

H

0.5xD

2

3

MFP-UM

MFP-UM2

M16

15 Nm

(11 ft-lb)

24

H

0.5xD

2

3

MFP-UM

MFP-UM2

M16

15 Nm

(11 ft-lb)

24

H

0.5xD

2

3

MFP-UM

MFP-UM2

M16

15 Nm

(11 ft-lb)

24

H

0.5xD

2

3

MFP-UM

MFP-UM2

M16

15 Nm

(11 ft-lb)

24

H

0.5xD

2

3

MFP-UM

MFP-UM2

M16

15 Nm

(11 ft-lb)

24

H

0.5xD

2

3

MFP-UM

MFP-UM2

M16

15 Nm

(11 ft-lb)

24

H

0.5xD

2

3

MFP-UM

MFP-UM2

M16

15 Nm

(11 ft-lb)

24

H

0.5xD

2

3

MFP-UM

MFP-UM2

M16

15 Nm

(11 ft-lb)

24

H

0.5xD

2

3

MFP-UM

MFP-UM2

M16

15 Nm

(11 ft-lb)

24

H

0.5xD

2

3

MFP-UM

MFP-UM2

M16

15 Nm

(11 ft-lb)

24

H

0.5xD

2

3

MFP-UM

MFP-UM2

M16

15 Nm

(11 ft-lb)

24

H

0.5xD

2

3

MFP-UM

MFP-UM2

M16

15 Nm

(11 ft-lb)

24

H

0.5xD

2

3

MFP-UM

MFP-UM2

M16

15 Nm

(11 ft-lb)

24

H

0.5xD

2

3

MFP-UM

MFP-UM2

M16

15 Nm

(11 ft-lb)

24

H

0.5xD

2

3

MFP-UM

MFP-UM2

M16

15 Nm

(11 ft-lb)

24

H

0.5xD

2

3

MFP-UM

MFP-UM2

M16

15 Nm

(11 ft-lb)

24

H

0.5xD

2

3

MFP-UM

MFP-UM2

M16

15 Nm

(11 ft-lb)

24

H

0.5xD

2

3

MFP-UM

MFP-UM2

M16

15 Nm

(11 ft-lb)

24

H

0.5xD

2

3

MFP-UM

MFP-UM2

M16

15 Nm

(11 ft-lb)

24

H

0.5xD

2

3

MFP-UM

MFP-UM2

M16

15 Nm

(11 ft-lb)

24

H

0.5xD

2

3

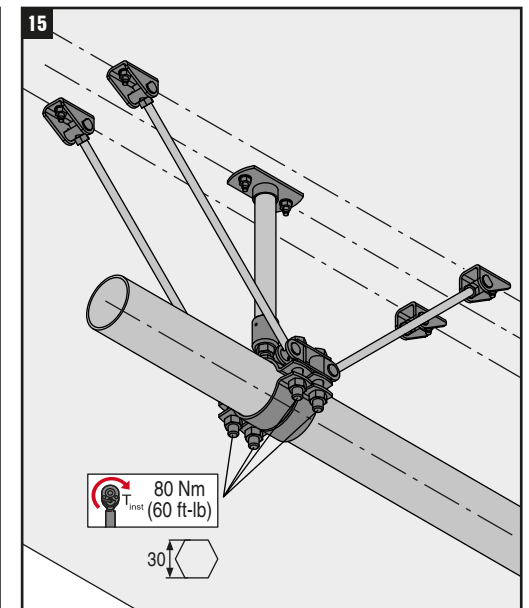
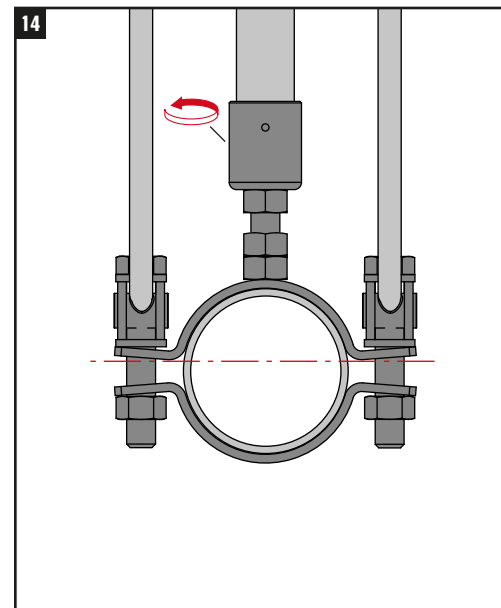
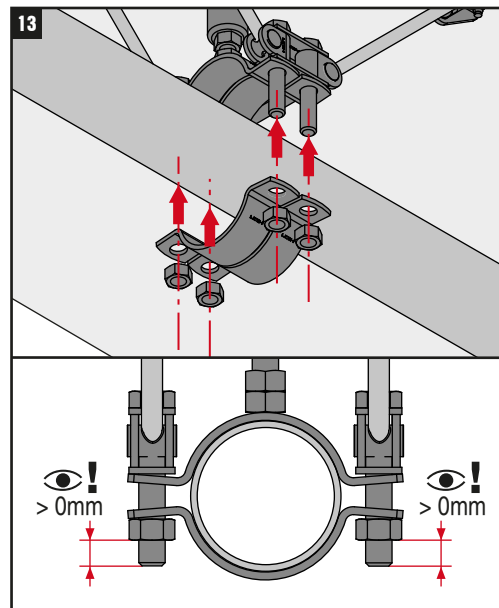
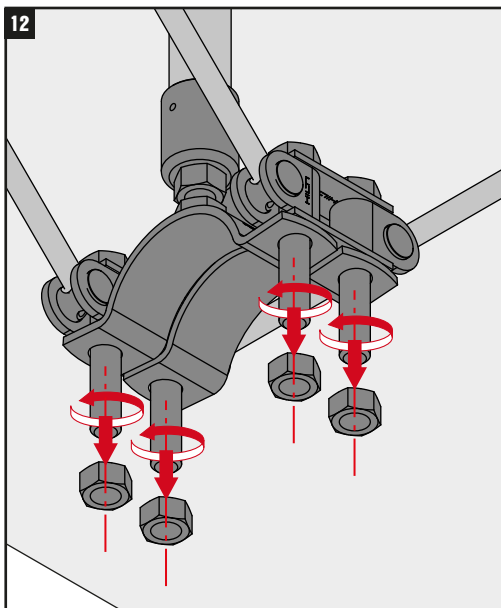
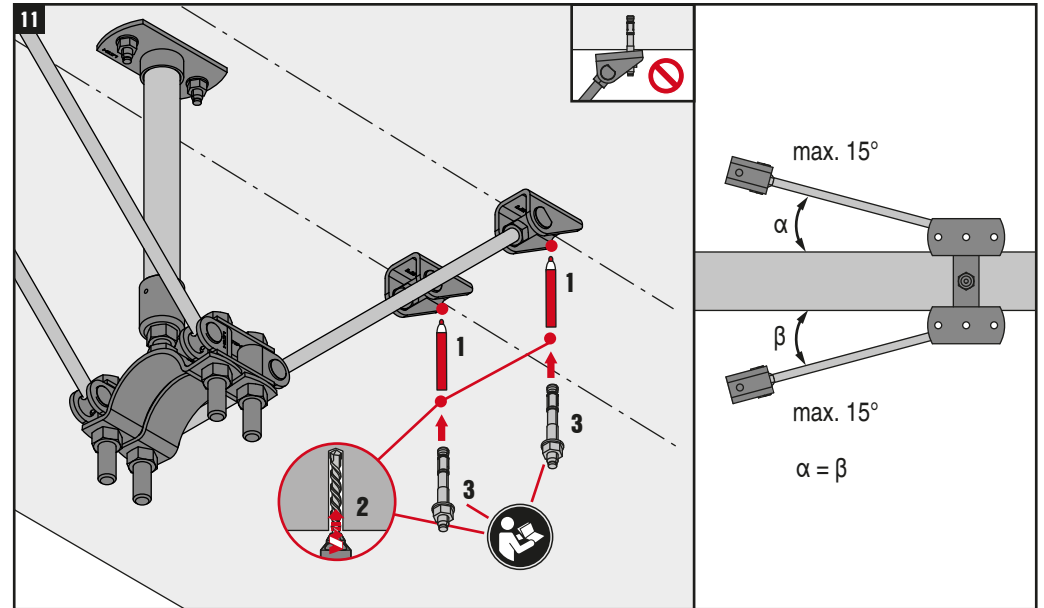
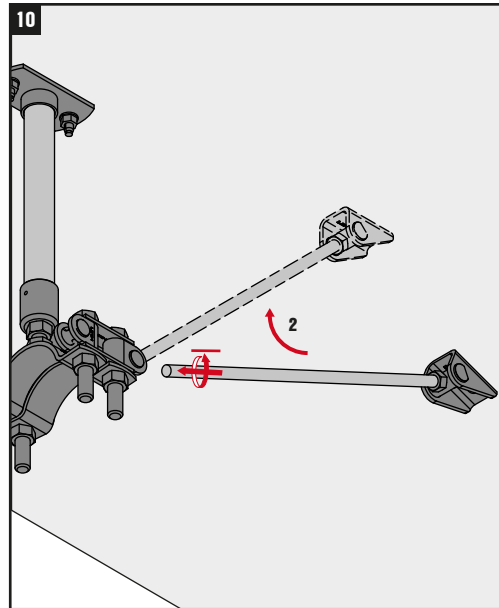
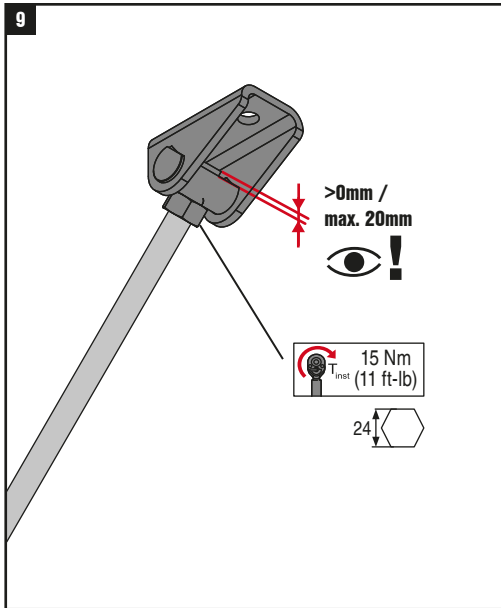
MFP-UM

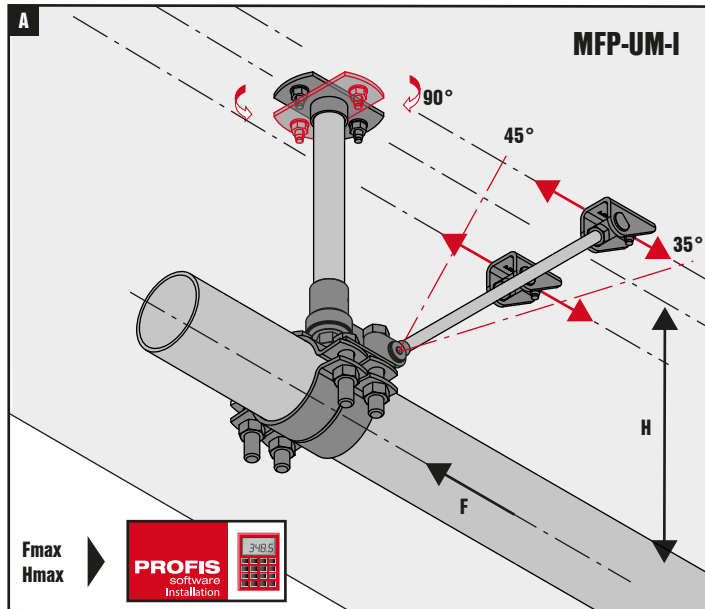
MFP-UM2

M16

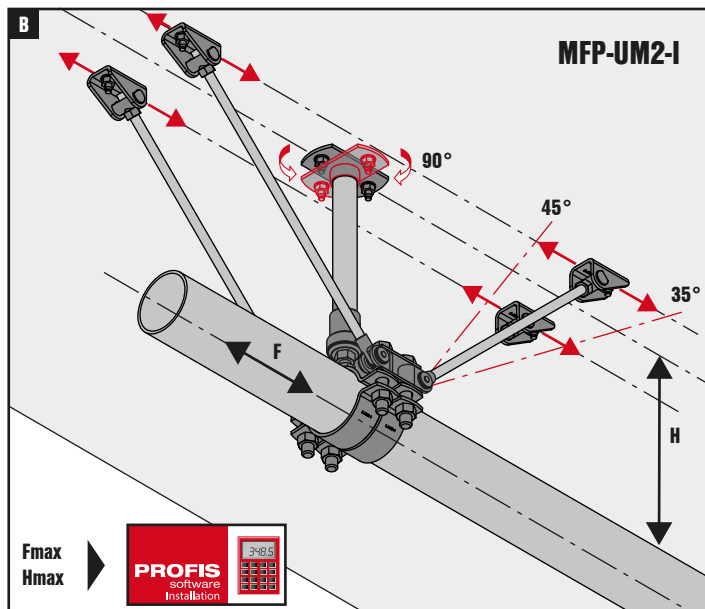
15 Nm

(11 ft-lb)





<p>2x Set #2222961</p> <p>(M16)</p>	<p>2x MFP-PC 73-78 to 318-326</p>	<p>1x Set #2238265</p> <p>2x 2x (M20x110)</p>	<p>1x AM-M16 4.8</p>
<p>1x Set #2222964</p>	<p>4x HST3-M12 x 105 #2105718 / HUS3-H 10 x 110 #2079916 HUS4-H 10 x 110 #2293557</p>		<p>1x GR-G 1 1/4"</p>



<p>4x Set #2222961</p> <p>(M16)</p>	<p>2x MFP-PC 73-78 to 318-326</p>	<p>2x Set #2238265</p> <p>2x 2x (M20x110)</p>	<p>2x AM-M16 4.8</p>
<p>1x Set #2222964</p>	<p>6x HST3-M12 x 105 #2105718 / HUS3-H 10 x 110 #2079916 HUS4-H 10 x 110 #2293557</p>		<p>1x GR-G 1 1/4"</p>

