

Content

12.1

Carbon steel flat roof screw	S-IT 01 C 4.8	113
------------------------------	---------------	-----

12.2

Carbon steel flat roof screw	S-IT 01 C 6.3	114
------------------------------	---------------	-----

12.3

Load distribution plates	S-IW	115
--------------------------	------	-----

12.4

Flat roof fastener (Ø 40 mm)	S-IDP 4.8C/40	116
------------------------------	---------------	-----

12.5

Flat roof fastener (80 mm x 40 mm)	S-IDP 4.8C/8040	117
------------------------------------	-----------------	-----

12.6

Flat roof fastener (Ø 40 mm)	S-IDP 6.7C/40	118
------------------------------	---------------	-----

12.7

Flat roof fastener (80 mm x 40 mm)	S-IDP 6.7C/8040	119
------------------------------------	-----------------	-----

12.8

Flat roof fastener (Ø 40 mm)	S-IDP 4.8S/40	120
------------------------------	---------------	-----

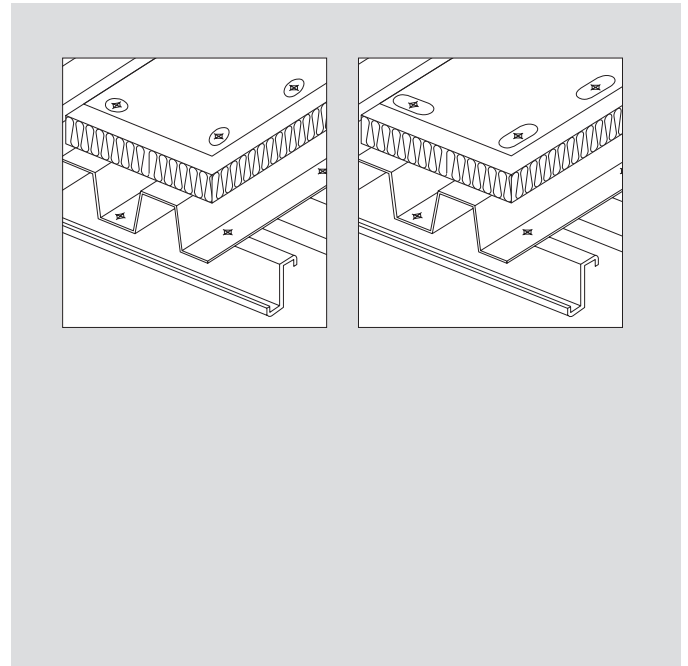
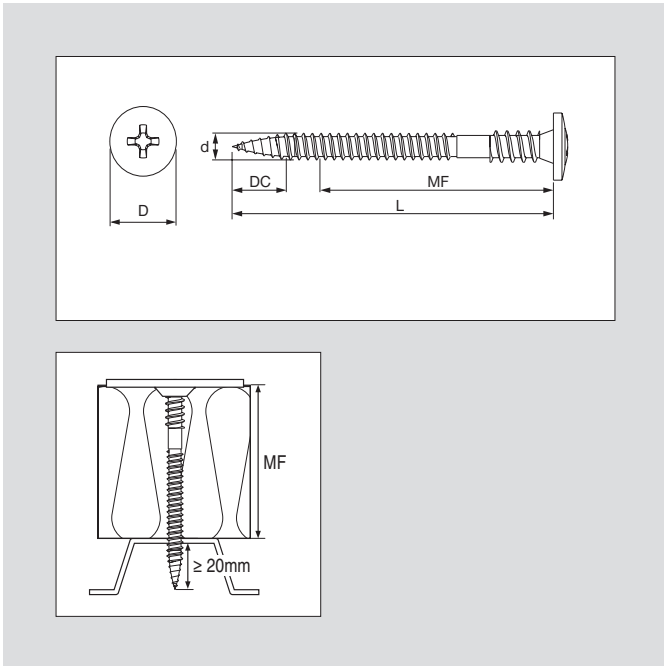
12.9

Flat roof fastener (80 mm x 40 mm)	S-IDP 4.8S/8040	121
------------------------------------	-----------------	-----



12.1 Carbon steel flat roof screw S-IT 01 C 4.8

Carbon steel screws for fastening of insulation on flat steel roofs



Ordering description	For use with	Drilling capacity range (DC)	Thickness fastened range (MF)	Screw diameter (d)	Screw length (L)	Screw drive/recess type	Sales quantity	Item number
Flat roof screw S-IT01C 4,8x51	S-IW 4.9	0.5 - 1.0 mm	20 - 30 mm	4.8 mm	51 mm	PH #2	500 pc	228577
Flat roof screw S-IT01C 4,8X60	S-IW 4.9	0.5 - 1.0 mm	20 - 40 mm	4.8 mm	60 mm	PH #2	500 pc	228636
Flat roof screw S-IT01C 4,8X70	S-IW 4.9	0.5 - 1.0 mm	20 - 50 mm	4.8 mm	70 mm	PH #2	500 pc	228578
Flat roof screw S-IT01C 4,8X80	S-IW 4.9	0.5 - 1.0 mm	20 - 60 mm	4.8 mm	80 mm	PH #2	400 pc	228637
Flat roof screw S-IT01C 4,8X90	S-IW 4.9	0.5 - 1.0 mm	20 - 70 mm	4.8 mm	90 mm	PH #2	200 pc	228638
Flat roof screw S-IT01C 4,8X100	S-IW 4.9	0.5 - 1.0 mm	20 - 80 mm	4.8 mm	100 mm	PH #2	200 pc	228639
Flat roof screw S-IT01C 4,8X110	S-IW 4.9	0.5 - 1.0 mm	20 - 90 mm	4.8 mm	110 mm	PH #2	200 pc	228640
Flat roof screw S-IT01C 4,8X120	S-IW 4.9	0.5 - 1.0 mm	20 - 100 mm	4.8 mm	120 mm	PH #2	200 pc	228641
Flat roof screw S-IT01C 4,8X130	S-IW 4.9	0.5 - 1.0 mm	20 - 110 mm	4.8 mm	130 mm	PH #2	200 pc	228579
Flat roof screw S-IT01C 4,8X140	S-IW 4.9	0.5 - 1.0 mm	20 - 120 mm	4.8 mm	140 mm	PH #2	250 pc	228642
Flat roof screw S-IT01C 4,8X150	S-IW 4.9	0.5 - 1.0 mm	20 - 130 mm	4.8 mm	150 mm	PH #2	250 pc	228591
Flat roof screw S-IT01C 4,8X160	S-IW 4.9	0.5 - 1.0 mm	20 - 140 mm	4.8 mm	160 mm	PH #2	200 pc	228643
Flat roof screw S-IT01C 4,8X180	S-IW 4.9	0.5 - 1.0 mm	20 - 160 mm	4.8 mm	180 mm	PH #2	100 pc	228580
Flat roof screw S-IT01C 4,8x200	S-IW 4.9	0.5 - 1.0 mm	20 - 180 mm	4.8 mm	200 mm	PH #2	100 pc	360448
Flat roof screw S-IT01C 4,8x220	S-IW 4.9	0.5 - 1.0 mm	20 - 200 mm	4.8 mm	220 mm	PH #2	100 pc	360449

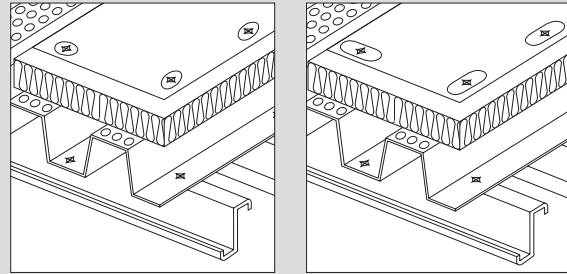
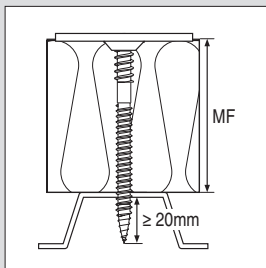
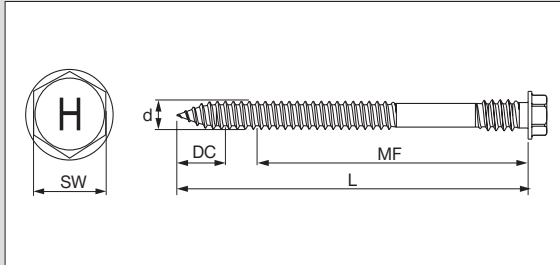
Reference:

- More information see approval ETA-12/0057 (Chapter 16)

12.2 Carbon steel flat roof screw S-IT 01 C 6.3



Carbon steel screws for fastening of insulation on flat steel roofs with perforated metal decking



Ordering description	For use with	Drilling capacity range (DC)	Thickness fastened range (MF)	Screw diameter (d)	Screw length (L)	Screw drive/recess type (SW)	Sales quantity	Item number
Flat roof screw S-IT01C 6,3x50	S-IW 6.6	0.5 - 1.0 mm	20 - 30 mm	6.3 mm	50 mm	Hexagon 8	250 pc	360528
Flat roof screw S-IT01C 6,3x60	S-IW 6.6	0.5 - 1.0 mm	20 - 40 mm	6.3 mm	60 mm	Hexagon 8	100 pc	360529
Flat roof screw S-IT01C 6,3x70	S-IW 6.6	0.5 - 1.0 mm	20 - 50 mm	6.3 mm	70 mm	Hexagon 8	100 pc	360530
Flat roof screw S-IT01C 6,3x80	S-IW 6.6	0.5 - 1.0 mm	20 - 60 mm	6.3 mm	80 mm	Hexagon 8	100 pc	228581
Flat roof screw S-IT01C 6,3x90	S-IW 6.6	0.5 - 1.0 mm	20 - 70 mm	6.3 mm	90 mm	Hexagon 8	100 pc	228582
Flat roof screw S-IT01C 6,3x100	S-IW 6.6	0.5 - 1.0 mm	20 - 80 mm	6.3 mm	100 mm	Hexagon 8	100 pc	228583
Flat roof screw S-IT01C 6,3x110	S-IW 6.6	0.5 - 1.0 mm	20 - 90 mm	6.3 mm	110 mm	Hexagon 8	100 pc	228584
Flat roof screw S-IT01C 6,3x120	S-IW 6.6	0.5 - 1.0 mm	20 - 100 mm	6.3 mm	120 mm	Hexagon 8	100 pc	228585
Flat roof screw S-IT01C 6,3x130	S-IW 6.6	0.5 - 1.0 mm	20 - 110 mm	6.3 mm	130 mm	Hexagon 8	100 pc	228586
Flat roof screw S-IT01C 6,3x140	S-IW 6.6	0.5 - 1.0 mm	20 - 120 mm	6.3 mm	140 mm	Hexagon 8	100 pc	228587
Flat roof screw S-IT01C 6,3x150	S-IW 6.6	0.5 - 1.0 mm	20 - 130 mm	6.3 mm	150 mm	Hexagon 8	100 pc	228588
Flat roof screw S-IT01C 6,3x160	S-IW 6.6	0.5 - 1.0 mm	20 - 140 mm	6.3 mm	160 mm	Hexagon 8	100 pc	228589
Flat roof screw S-IT01C 6,3x180	S-IW 6.6	0.5 - 1.0 mm	20 - 160 mm	6.3 mm	180 mm	Hexagon 8	100 pc	228590
Flat roof screw S-IT01C 6,3x200	S-IW 6.6	0.5 - 1.0 mm	20 - 180 mm	6.3 mm	200 mm	Hexagon 8	100 pc	360531
Flat roof screw S-IT01C 6,3x220	S-IW 6.6	0.5 - 1.0 mm	20 - 200 mm	6.3 mm	220 mm	Hexagon 8	100 pc	360532
Flat roof screw S-IT01C 6,3x240	S-IW 6.6	0.5 - 1.0 mm	20 - 220 mm	6.3 mm	240 mm	Hexagon 8	100 pc	360533

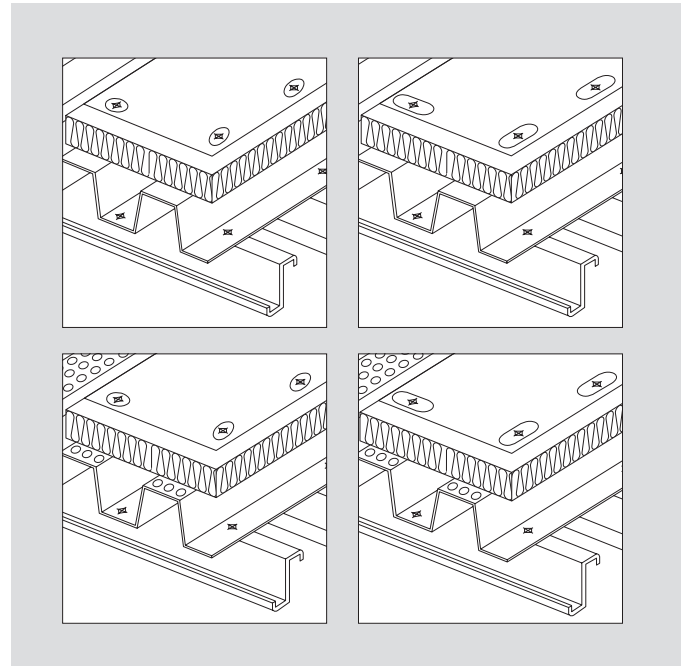
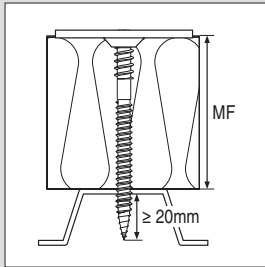
Reference:

- More information see approval ETA-12/0057 (Chapter 16)



12.3 Load distribution plates S-IW

Load distribution plates for flat roof screws



Ordering description	For use with	Washer size	Sales quantity	Item number
Load distrib. plate S-IW 4,9 AZ 64x64	S-IT 01 C 4.8 x L	64x64 mm	1.000 pc	228207
Load distrib. plate S-IW 4,9 AZ 40	S-IT 01 C 4.8 x L	40 mm	1.000 pc	272354
Load distrib. plate S-IW 4,9 AZ 80x40	S-IT 01 C 4.8 x L	80x40 mm	500 pc	228205
Load distrib. plate S-IW 4,9 AZ 40x40	S-IT 01 C 4.8 x L	40x40 mm	1.000 pc	228206
Load distrib. plate S-IW 6,6 AZ 40x40	S-IT 01 C 6.3 x L	80x40 mm	500 pc	228204
Load distrib. plate S-IW 6,6 AZ 64x64	S-IT 01 C 6.3 x L	40x40 mm	1.000 pc	228201
Load distrib. plate S-IW 6,6 AZ 80x40	S-IT 01 C 6.3 x L	64x64 mm	1.000 pc	228203
Load distrib. plate S-IW 6,6 AZ 40	S-IT 01 C 6.3 x L	40 mm	1.000 pc	228202

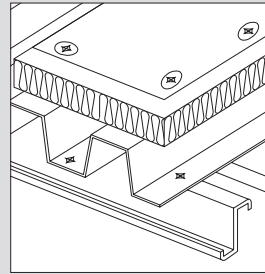
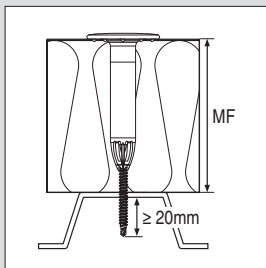
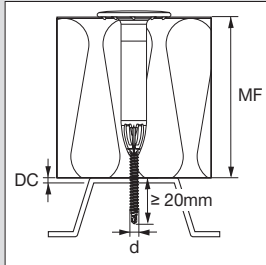
Reference:

- More information see approval ETA-12/0057 (Chapter 16)

12.4 Flat roof fastener (Ø 40 mm) S-IDP 4.8C/40



Fasteners (carbon steel screws and polyamid plugs) for fastening of insulation on flat steel roofs



Ordering description	Drilling capacity range (DC)	Thickness fastened range (MF)	Screw diameter (d)	Washer size	Screw drive/recess type (SW)	Sales quantity	Item number
Insulation fastener S-IDP 4,8C/40x60	0.5 - 2x 1.25 mm	50 - 60 mm	4.8 mm	40 mm	PH #2	1.000 pc	2039410
Insulation fastener S-IDP 4,8C/40x80	0.5 - 2x 1.25 mm	70 - 80 mm	4.8 mm	40 mm	PH #2	1.000 pc	2039412
Insulation fastener S-IDP 4,8C/40x90	0.5 - 2x 1.25 mm	80 - 90 mm	4.8 mm	40 mm	PH #2	1.000 pc	2039413
Insulation fastener S-IDP 4,8C/40x100	0.5 - 2x 1.25 mm	90 - 100 mm	4.8 mm	40 mm	PH #2	500 pc	2039414
Insulation fastener S-IDP 4,8C/40x120	0.5 - 2x 1.25 mm	110 - 120 mm	4.8 mm	40 mm	PH #2	500 pc	2039416
Insulation fastener S-IDP 4,8C/40x130	0.5 - 2x 1.25 mm	120 - 130 mm	4.8 mm	40 mm	PH #2	500 pc	2039417
Insulation fastener S-IDP 4,8C/40x140	0.5 - 2x 1.25 mm	130 - 140 mm	4.8 mm	40 mm	PH #2	500 pc	2039418
Insulation fastener S-IDP 4,8C/40x160	0.5 - 2x 1.25 mm	150 - 160 mm	4.8 mm	40 mm	PH #2	500 pc	2039420
Insulation fastener S-IDP 4,8C/40x170	0.5 - 2x 1.25 mm	160 - 170mm	4.8 mm	40 mm	PH #2	500 pc	2039421
Insulation fastener S-IDP 4,8C/40x180	0.5 - 2x 1.25 mm	170 - 180 mm	4.8 mm	40 mm	PH #2	250 pc	2039422
Insulation fastener S-IDP 4,8C/40x200	0.5 - 2x 1.25 mm	190 - 200 mm	4.8 mm	40 mm	PH #2	250 pc	2039424
Insulation fastener S-IDP 4,8C/40x210	0.5 - 2x 1.25 mm	200 - 210 mm	4.8 mm	40 mm	PH #2	250 pc	2039425
Insulation fastener S-IDP 4,8C/40x220	0.5 - 2x 1.25 mm	210 - 220 mm	4.8 mm	40 mm	PH #2	250 pc	2039426
Insulation fastener S-IDP 4,8C/40x240	0.5 - 2x 1.25 mm	230 - 240 mm	4.8 mm	40 mm	PH #2	250 pc	2039428
Insulation fastener S-IDP 4,8C/40x250	0.5 - 2x 1.25 mm	240 - 250 mm	4.8 mm	40 mm	PH #2	250 pc	2039429
Insulation fastener S-IDP 4,8C/40x260	0.5 - 2x 1.25 mm	250 - 260 mm	4.8 mm	40 mm	PH #2	250 pc	2039430
Insulation fastener S-IDP 4,8C/40x280	0.5 - 2x 1.25 mm	270 - 280 mm	4.8 mm	40 mm	PH #2	250 pc	2039432
Insulation fastener S-IDP 4,8C/40x300	0.5 - 2x 1.25 mm	290 -300 mm	4.8 mm	40 mm	PH #2	250 pc	2039434

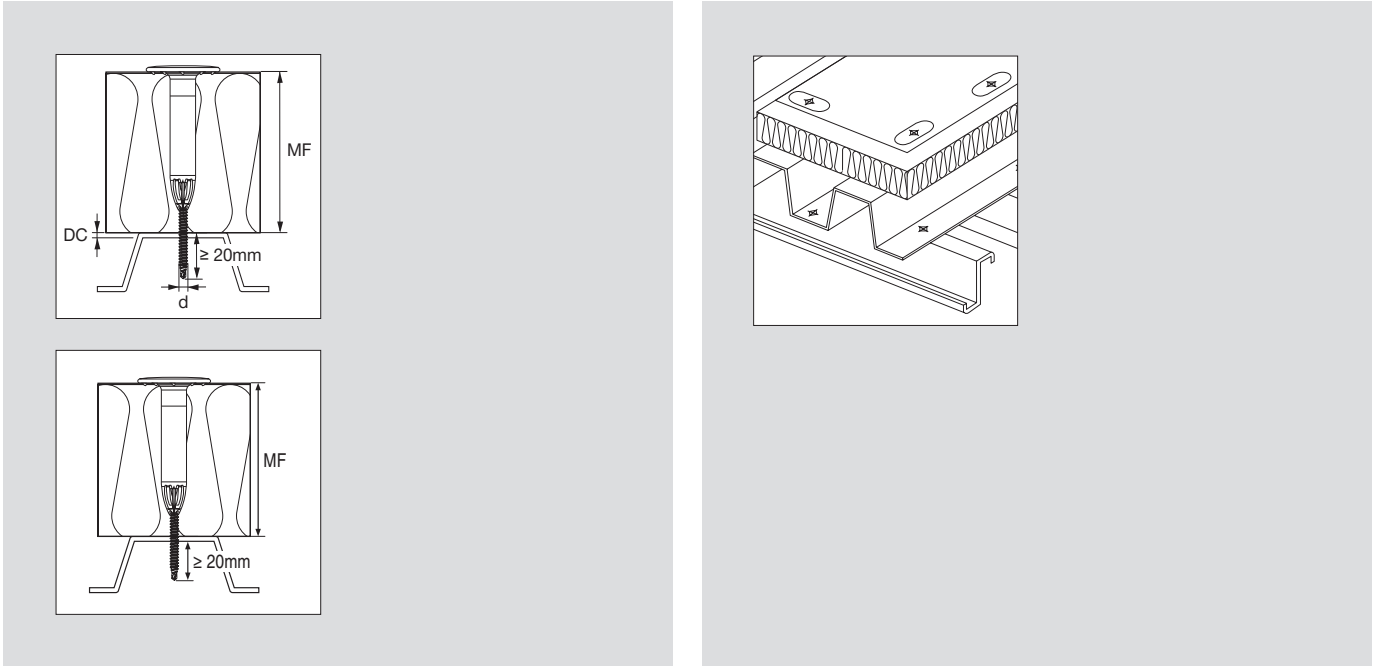
Reference:

- More information see approval ETA-12/0057 (Chapter 16)



12.5 Flat roof fastener (80mm x 40mm) S-IDP 4.8C/8040

Fasteners (carbon steel screws and polyamid plugs) for fastening of insulation on flat steel roofs



Ordering description	Drilling capacity range (DC)	Thickness fastened range (MF)	Screw diameter (d)	Washer size	Screw drive/recess type (SW)	Sales quantity	Item number
Insulation fastener S-IDP 4.8C/8040x60	0.5 - 2x 1.25 mm	50 - 60 mm	4.8 mm	80 x 40 mm	PH #2	500 pc	2039488
Insulation fastener S-IDP 4.8C/8040x80	0.5 - 2x 1.25 mm	70 - 80 mm	4.8 mm	80 x 40 mm	PH #2	500 pc	2039490
Insulation fastener S-IDP 4.8C/8040x90	0.5 - 2x 1.25 mm	80 - 90 mm	4.8 mm	80 x 40 mm	PH #2	500 pc	2039491
Insulation fastener S-IDP 4.8C/8040x100	0.5 - 2x 1.25 mm	90 - 100 mm	4.8 mm	80 x 40 mm	PH #2	500 pc	2039492
Insulation fastener S-IDP 4.8C/8040x120	0.5 - 2x 1.25 mm	110 - 120 mm	4.8 mm	80 x 40 mm	PH #2	500 pc	2039494
Insulation fastener S-IDP 4.8C/8040x130	0.5 - 2x 1.25 mm	120 - 130 mm	4.8 mm	80 x 40 mm	PH #2	500 pc	2039495
Insulation fastener S-IDP 4.8C/8040x140	0.5 - 2x 1.25 mm	130 - 140 mm	4.8 mm	80 x 40 mm	PH #2	250 pc	2039496
Insulation fastener S-IDP 4.8C/8040x160	0.5 - 2x 1.25 mm	150 - 160 mm	4.8 mm	80 x 40 mm	PH #2	250 pc	2039498
Insulation fastener S-IDP 4.8C/8040x170	0.5 - 2x 1.25 mm	160 - 170mm	4.8 mm	80 x 40 mm	PH #2	250 pc	2039499
Insulation fastener S-IDP 4.8C/8040x180	0.5 - 2x 1.25 mm	170 - 180 mm	4.8 mm	80 x 40 mm	PH #2	250 pc	2039500
Insulation fastener S-IDP 4.8C/8040x200	0.5 - 2x 1.25 mm	190 - 200 mm	4.8 mm	80 x 40 mm	PH #2	250 pc	2039502
Insulation fastener S-IDP 4.8C/8040x210	0.5 - 2x 1.25 mm	200 - 210 mm	4.8 mm	80 x 40 mm	PH #2	250 pc	2039503
Insulation fastener S-IDP 4.8C/8040x220	0.5 - 2x 1.25 mm	210 - 220 mm	4.8 mm	80 x 40 mm	PH #2	250 pc	2039504
Insulation fastener S-IDP 4.8C/8040x240	0.5 - 2x 1.25 mm	230 - 240 mm	4.8 mm	80 x 40 mm	PH #2	250 pc	2039506
Insulation fastener S-IDP 4.8C/8040x250	0.5 - 2x 1.25 mm	240 - 250 mm	4.8 mm	80 x 40 mm	PH #2	250 pc	2039507
Insulation fastener S-IDP 4.8C/8040x260	0.5 - 2x 1.25 mm	250 - 260 mm	4.8 mm	80 x 40 mm	PH #2	250 pc	2039508
Insulation fastener S-IDP 4.8C/8040x280	0.5 - 2x 1.25 mm	270 - 280 mm	4.8 mm	80 x 40 mm	PH #2	250 pc	2039510
Insulation fastener S-IDP 4.8C/8040x300	0.5 - 2x 1.25 mm	290 - 300 mm	4.8 mm	80 x 40 mm	PH #2	250 pc	2039512

12

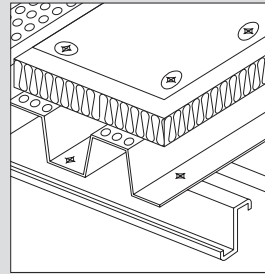
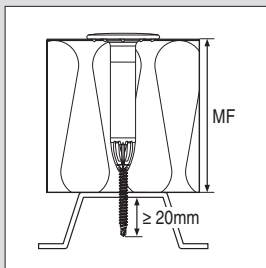
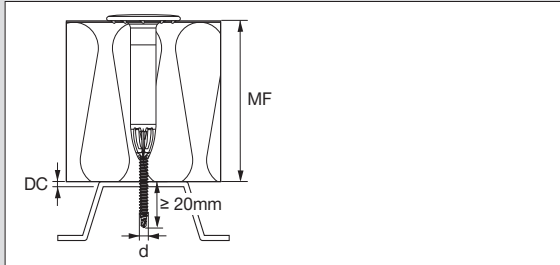
Reference:

- More information see approval ETA-12/0057 (Chapter 16)

12.6 Flat roof fastener (Ø 40 mm) S-IDP 6.7C/40



Fasteners (carbon steel screws and polyamid plugs) for fastening of insulation on flat steel roofs with perforated metal decking

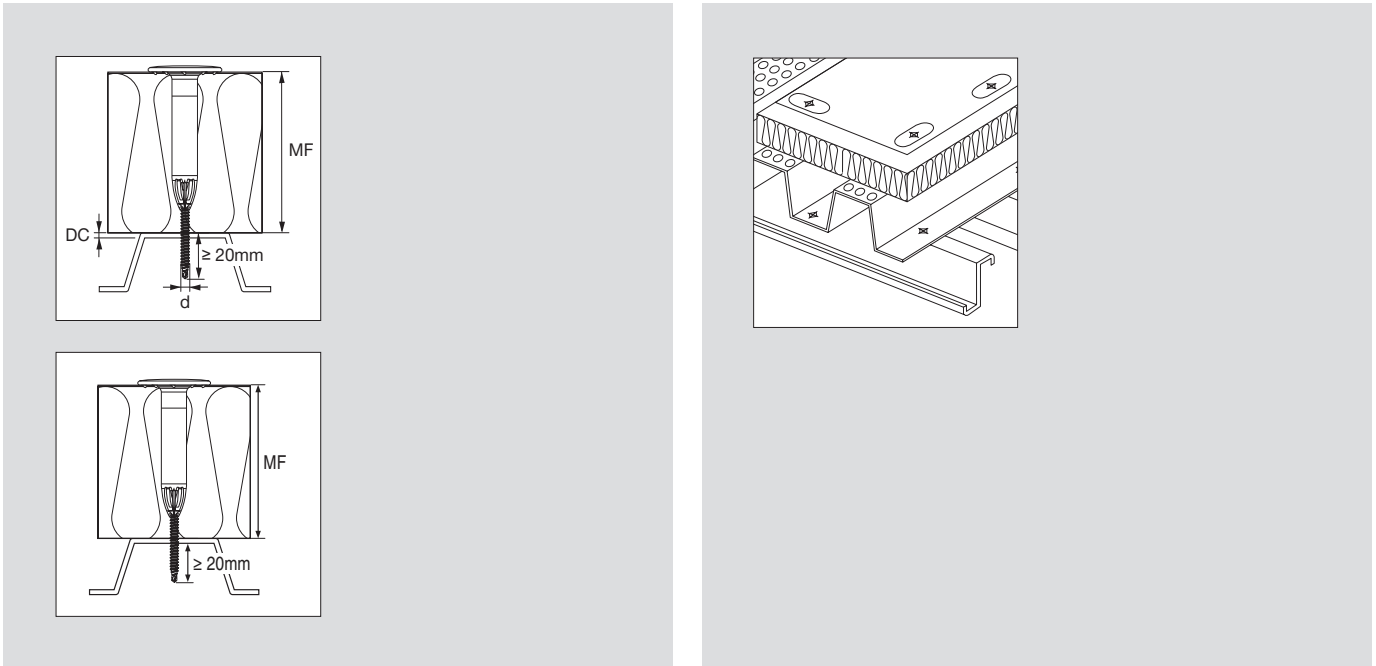


Ordering description	Drilling capacity range (DC)	Thickness fastened range (MF)	Screw diameter (d)	Washer size	Screw drive/recess type (SW)	Sales quantity	Item number
Insulation fastener S-IDP 6,7C/40x60	0.5 - 2x 1.25 mm	50 - 60 mm	6.7 mm	40 mm	PH #2	1.000 pc	2039436
Insulation fastener S-IDP 6,7C/40x80	0.5 - 2x 1.25 mm	70 - 80 mm	6.7 mm	40 mm	PH #2	1.000 pc	2039438
Insulation fastener S-IDP 6,7C/40x100	0.5 - 2x 1.25 mm	90 - 100 mm	6.7 mm	40 mm	PH #2	500 pc	2039440
Insulation fastener S-IDP 6,7C/40x120	0.5 - 2x 1.25 mm	110 - 120 mm	6.7 mm	40 mm	PH #2	500 pc	2039442
Insulation fastener S-IDP 6,7C/40x140	0.5 - 2x 1.25 mm	130 - 140 mm	6.7 mm	40 mm	PH #2	500 pc	2039444
Insulation fastener S-IDP 6,7C/40x160	0.5 - 2x 1.25 mm	150 - 160 mm	6.7 mm	40 mm	PH #2	500 pc	2039446
Insulation fastener S-IDP 6,7C/40x180	0.5 - 2x 1.25 mm	170 - 180 mm	6.7 mm	40 mm	PH #2	250 pc	2039448
Insulation fastener S-IDP 6,7C/40x200	0.5 - 2x 1.25 mm	190 - 200 mm	6.7 mm	40 mm	PH #2	250 pc	2039450
Insulation fastener S-IDP 6,7C/40x220	0.5 - 2x 1.25 mm	210 - 220 mm	6.7 mm	40 mm	PH #2	250 pc	2039452
Insulation fastener S-IDP 6,7C/40x240	0.5 - 2x 1.25 mm	230 - 240 mm	6.7 mm	40 mm	PH #2	250 pc	2039454
Insulation fastener S-IDP 6,7C/40x260	0.5 - 2x 1.25 mm	250 - 260 mm	6.7 mm	40 mm	PH #2	250 pc	2039456
Insulation fastener S-IDP 6,7C/40x280	0.5 - 2x 1.25 mm	270 - 280 mm	6.7 mm	40 mm	PH #2	250 pc	2039458
Insulation fastener S-IDP 6,7C/40x300	0.5 - 2x 1.25 mm	290 - 300 mm	6.7 mm	40 mm	PH #2	250 pc	2039460



12.7 Flat roof fastener (80 mm x 40 mm) S-IDP 6.7C/8040

Fasteners (carbon steel screws and polyamid plugs) for fastening of insulation on flat steel roofs with perforated metal decking

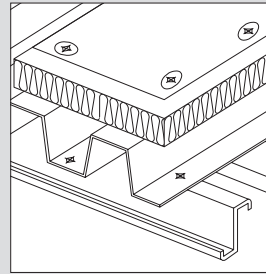
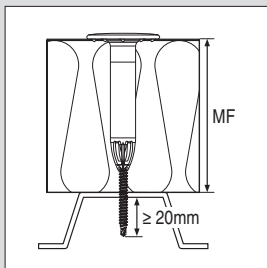
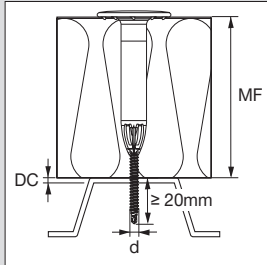


Ordering description	Drilling capacity range (DC)	Thickness fastened range (MF)	Screw diameter (d)	Washer size	Screw drive/recess type (SW)	Sales quantity	Item number
Insulation fastener S-IDP 6,7C/8040x60	0.5 - 2x 1.25 mm	50 - 60 mm	6.7 mm	80 x 40 mm	PH #2	500 pc	2039514
Insulation fastener S-IDP 6,7C/8040x80	0.5 - 2x 1.25 mm	70 - 80 mm	6.7 mm	80 x 40 mm	PH #2	500 pc	2039516
Insulation fastener S-IDP 6,7C/8040x100	0.5 - 2x 1.25 mm	90 - 100 mm	6.7 mm	80 x 40 mm	PH #2	500 pc	2039518
Insulation fastener S-IDP 6,7C/8040x120	0.5 - 2x 1.25 mm	110 - 120 mm	6.7 mm	80 x 40 mm	PH #2	500 pc	2039520
Insulation fastener S-IDP 6,7C/8040x140	0.5 - 2x 1.25 mm	130 - 140 mm	6.7 mm	80 x 40 mm	PH #2	250 pc	2039522
Insulation fastener S-IDP 6,7C/8040x160	0.5 - 2x 1.25 mm	150 - 160 mm	6.7 mm	80 x 40 mm	PH #2	250 pc	2039524
Insulation fastener S-IDP 6,7C/8040x180	0.5 - 2x 1.25 mm	170 - 180 mm	6.7 mm	80 x 40 mm	PH #2	250 pc	2039526
Insulation fastener S-IDP 6,7C/8040x200	0.5 - 2x 1.25 mm	190 - 200 mm	6.7 mm	80 x 40 mm	PH #2	250 pc	2039528
Insulation fastener S-IDP 6,7C/8040x220	0.5 - 2x 1.25 mm	210 - 220 mm	6.7 mm	80 x 40 mm	PH #2	250 pc	2039530
Insulation fastener S-IDP 6,7C/8040x240	0.5 - 2x 1.25 mm	230 - 240 mm	6.7 mm	80 x 40 mm	PH #2	250 pc	2039532
Insulation fastener S-IDP 6,7C/8040x260	0.5 - 2x 1.25 mm	250 - 260 mm	6.7 mm	80 x 40 mm	PH #2	250 pc	2039534
Insulation fastener S-IDP 6,7C/8040x280	0.5 - 2x 1.25 mm	270 - 280 mm	6.7 mm	80 x 40 mm	PH #2	250 pc	2039536
Insulation fastener S-IDP 6,7C/8040x300	0.5 - 2x 1.25 mm	290 - 300 mm	6.7 mm	80 x 40 mm	PH #2	250 pc	2039538

12.8 Flat roof fastener (Ø 40 mm) S-IDP 4.8S/40



Fasteners (stainless steel screws and polyamid plugs) for fastening of insulation on flat steel roofs

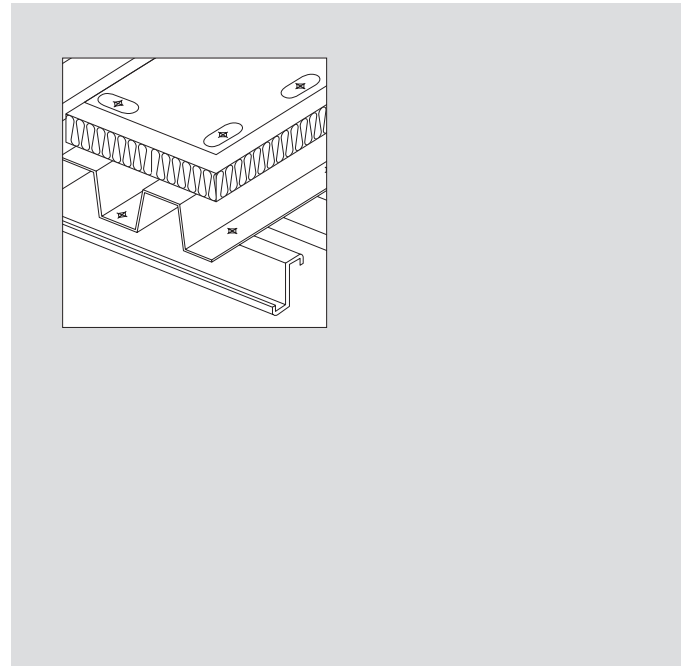
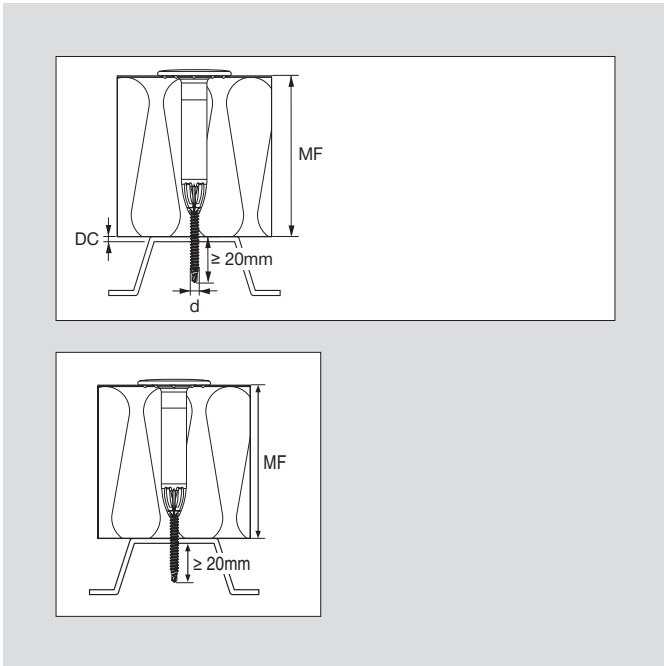


Ordering description	Drilling capacity range (DC)	Thickness fastened range (MF)	Screw diameter (d)	Washer size	Screw drive/recess type (SW)	Sales quantity	Item number
Insulation fastener S-IDP 4,8S/40x60	0.5 - 2x 1.25 mm	50 - 60 mm	4.8 mm	40 mm	PH #2	1.000 pc	2045705
Insulation fastener S-IDP 4,8S/40x80	0.5 - 2x 1.25 mm	70 - 80 mm	4.8 mm	40 mm	PH #2	1.000 pc	2045707
Insulation fastener S-IDP 4,8S/40x100	0.5 - 2x 1.25 mm	90 - 100 mm	4.8 mm	40 mm	PH #2	500 pc	2045709
Insulation fastener S-IDP 4,8S/40x120	0.5 - 2x 1.25 mm	110 - 120 mm	4.8 mm	40 mm	PH #2	500 pc	2045762
Insulation fastener S-IDP 4,8S/40x140	0.5 - 2x 1.25 mm	130 - 140 mm	4.8 mm	40 mm	PH #2	500 pc	2045764
Insulation fastener S-IDP 4,8S/40x160	0.5 - 2x 1.25 mm	150 - 160 mm	4.8 mm	40 mm	PH #2	500 pc	2045766
Insulation fastener S-IDP 4,8S/40x180	0.5 - 2x 1.25 mm	170 - 180 mm	4.8 mm	40 mm	PH #2	250 pc	2045768
Insulation fastener S-IDP 4,8S/40x200	0.5 - 2x 1.25 mm	190 - 200 mm	4.8 mm	40 mm	PH #2	250 pc	2045770
Insulation fastener S-IDP 4,8S/40x220	0.5 - 2x 1.25 mm	210 - 220 mm	4.8 mm	40 mm	PH #2	250 pc	2045772
Insulation fastener S-IDP 4,8S/40x240	0.5 - 2x 1.25 mm	230 - 240 mm	4.8 mm	40 mm	PH #2	250 pc	2045774
Insulation fastener S-IDP 4,8S/40x260	0.5 - 2x 1.25 mm	250 - 260 mm	4.8 mm	40 mm	PH #2	250 pc	2045776
Insulation fastener S-IDP 4,8C/40x280	0.5 - 2x 1.25 mm	270 - 280 mm	4.8 mm	40 mm	PH #2	250 pc	2045778
Insulation fastener S-IDP 4,8C/40x300	0.5 - 2x 1.25 mm	290 - 300 mm	4.8 mm	40 mm	PH #2	250 pc	2045780



12.9 Flat roof fastener (80 mm x 40 mm) S-IDP 4.8S/8040

Fasteners (stainless steel screws and polyamid plugs) for fastening of insulation on flat steel roofs



Ordering description	Drilling capacity range (DC)	Thickness fastened range (MF)	Screw diameter (d)	Washer size	Screw drive/recess type (SW)	Sales quantity	Item number
Insulation fastener S-IDP 4,8S/8040x60	0.5 - 2x 1.25 mm	50 - 60 mm	4.8 mm	80 x 40 mm	PH #2	500 pc	2045824
Insulation fastener S-IDP 4,8S/8040x80	0.5 - 2x 1.25 mm	70 - 80 mm	4.8 mm	80 x 40 mm	PH #2	500 pc	2045826
Insulation fastener S-IDP 4,8S/8040x100	0.5 - 2x 1.25 mm	90 - 100 mm	4.8 mm	80 x 40 mm	PH #2	500 pc	2045828
Insulation fastener S-IDP 4,8S/8040x120	0.5 - 2x 1.25 mm	110 - 120 mm	4.8 mm	80 x 40 mm	PH #2	500 pc	2045830
Insulation fastener S-IDP 4,8S/8040x140	0.5 - 2x 1.25 mm	130 - 140 mm	4.8 mm	80 x 40 mm	PH #2	250 pc	2045832
Insulation fastener S-IDP 4,8S/8040x160	0.5 - 2x 1.25 mm	150 - 160 mm	4.8 mm	80 x 40 mm	PH #2	250 pc	2045834
Insulation fastener S-IDP 4,8S/8040x180	0.5 - 2x 1.25 mm	170 - 180 mm	4.8 mm	80 x 40 mm	PH #2	250 pc	2045836
Insulation fastener S-IDP 4,8S/8040x200	0.5 - 2x 1.25 mm	190 - 200 mm	4.8 mm	80 x 40 mm	PH #2	250 pc	2045838
Insulation fastener S-IDP 4,8S/8040x220	0.5 - 2x 1.25 mm	210 - 220 mm	4.8 mm	80 x 40 mm	PH #2	250 pc	2045840
Insulation fastener S-IDP 4,8S/8040x240	0.5 - 2x 1.25 mm	230 - 240 mm	4.8 mm	80 x 40 mm	PH #2	250 pc	2045842
Insulation fastener S-IDP 4,8S/8040x260	0.5 - 2x 1.25 mm	250 - 260 mm	4.8 mm	80 x 40 mm	PH #2	250 pc	2045844
Insulation fastener S-IDP 4,8S/8040x280	0.5 - 2x 1.25 mm	270 - 280 mm	4.8 mm	80 x 40 mm	PH #2	250 pc	2045846
Insulation fastener S-IDP 4,8S/8040x300	0.5 - 2x 1.25 mm	290 - 300 mm	4.8 mm	80 x 40 mm	PH #2	250 pc	2045848